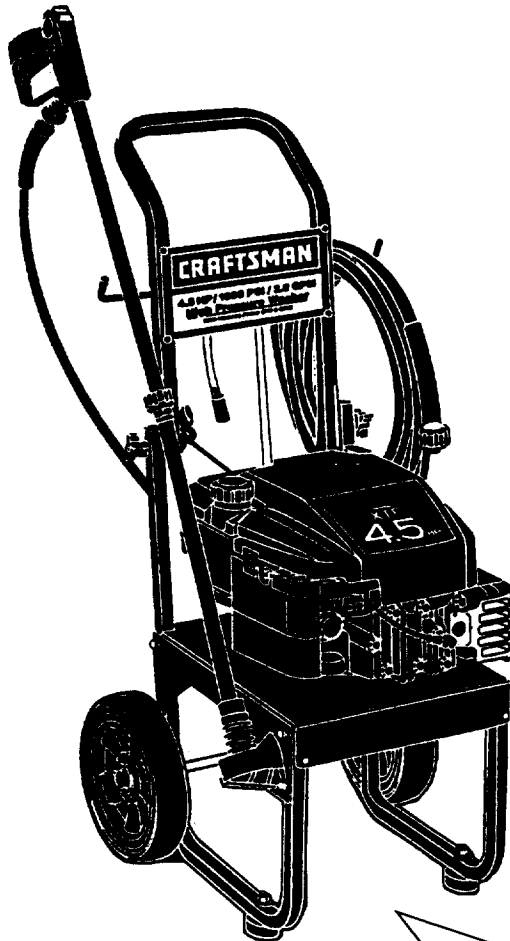


SEARS Owner's Manual

CRAFTSMAN®

4.5 HORSEPOWER
1800 PSI 2 GPM
HIGH PRESSURE WASHER

Model No.
580.761800



CAUTION: Before using this product, read this manual and follow all Safety Rules and Operating Instructions.

PRESSURE WASHER
CUSTOMER
HELPLINE
1-800-222-3136

HOURS: Mon. - Fri. 8 a.m. to 5 p.m. (CST)

SEARS, ROEBUCK and CO., Hoffman Estates, IL 60179 U.S.A.

Part No. B1818 Draft 0 (11/12/97)

SAFETY

ASSEMBLY

OPERATION

MAINTENANCE

PARTS LIST

TABLE OF CONTENTS

SAFETY RULES	3	STORAGE	14
ASSEMBLY	4-5	TROUBLESHOOTING	15
OPERATION	6-9	REPLACEMENT PARTS	16-27
MAINTENANCE	10-13	HOW TO ORDER PARTS	BACK PAGE

LIMITED ONE YEAR WARRANTY ON CRAFTSMAN HIGH PRESSURE WASHER

For one year from the date of purchase, when this Craftsman High Pressure Washer is maintained and operated according to the instructions in the owner's manual, Sears will repair, free of charge, any defect in material and workmanship.

If this high pressure washer is used for commercial purposes, this warranty applies for only 90 days from the date of purchase. If this high pressure washer is used for rental purposes, this warranty applies for only 30 days after date of purchase.

This warranty does not cover:

- Expendable items such as spark plugs and air filters, which become worn during normal use.
- Repairs necessary because of operator abuse or negligence, including damage resulting from no water being supplied to pump or failure to maintain the equipment according to the instructions contained in the owner's manual.

WARRANTY SERVICE IS AVAILABLE BY RETURNING THE HIGH PRESSURE WASHER TO THE NEAREST SEARS SERVICE CENTER OR DEALER IN THE UNITED STATES.

This warranty gives you specific legal rights and you may also have other rights, which vary from state to state.

SEARS, ROEBUCK AND CO., D/817 WA, Hoffman Estates, IL 60179

SAFETY RULES



CAUTION: ALWAYS DISCONNECT SPARK PLUG WIRE AND PLACE WIRE WHERE IT CANNOT CONTACT SPARK PLUG. TO PREVENT ACCIDENTAL STARTING WHEN SETTING UP, TRANSPORTING, ADJUSTING OR MAKING REPAIRS TO YOUR HIGH PRESSURE WASHER.



CAUTION: Before using this product, read this manual and follow all Safety Rules and Operating Instructions.



WARNING:



The engine exhaust from this product contains chemicals known to the State of California to cause cancer, birth defects, or other reproductive harm.

- Engine exhaust gases contain DEADLY carbon monoxide gas. This dangerous gas, if breathed in sufficient concentrations, can cause unconsciousness or even death. Operate this equipment only in the open air where adequate ventilation is available.
- Gasoline is highly FLAMMABLE and its vapors are EXPLOSIVE. Do not permit smoking, open flames, sparks or heat in the vicinity while handling gasoline. Avoid spilling gasoline on a hot engine. Allow unit to cool for 2 minutes before refueling. Comply with all laws regulating storage and handling of gasoline.
- Locate this pressure washer in areas away from combustible materials, combustible fumes or dust.
- The high pressure equipment is designed to be used with Sears authorized parts only. If you use this equipment with parts that do not comply with minimum specifications, the user assumes all risks and liabilities.
- Some chemicals or detergents may be harmful if inhaled or ingested, causing severe nausea, fainting or poisoning. The harmful elements may cause property damage or severe injury.
- Do not allow CHILDREN to operate the Pressure Washer at any time.
- Operate engine only at governed speed. Running the engine at excessive speeds increases the hazard of personal injury. Do not tamper with parts which may increase or decrease the governed speed.
- Do not wear loose clothing, jewelry or anything that may be caught in the starter or other rotating parts.
- Before starting the Pressure Washer in cold weather, check all parts of the equipment and be sure ice has not formed there.
- Units with broken or missing parts, or without protective housing or covers should NEVER be operated.
- The muffler and air cleaner must be installed and in good condition before operating the Pressure Washer. These components act as spark arrestors if the engine backfires.
- Check the fuel system for leaks or signs of deterioration such as chafed or spongy hose, loose or missing clamps or damaged tank or cap. Correct all defects before operating the Pressure Washer.
- Do not spray flammable liquids.
- Never allow any part of the body to come in contact with the fluid stream. DO NOT come in contact with a fluid stream created by a leak in the high pressure hose.
- High pressure streams of fluid this equipment produces can pierce skin and its underlying tissues, leading to serious injury and possible amputation.
- Never aim the gun at people, animals or plants.
- High pressure spray can cause paint chips or other particles to become airborne and fly at high speeds.
- Always wear eye protection when you use this equipment or when you are in the vicinity where the equipment is in use.
- Operate the pressure at no more than the PSI fluid pressure rated for your pressure washer.
- Never move the machine by pulling on the high pressure hose. Use the handle provided on the top of the unit.
- Always be certain the spray gun, nozzles and accessories are correctly attached.
- Never use a spray gun which does not have a trigger lock or trigger guard in place and in working order.
- Use a respirator or mask whenever there is a chance that vapors may be inhaled. Read all instructions with the mask so you are certain the mask will provide the necessary protection against inhaling harmful vapors.
- High pressure spray may damage fragile items including glass. Do not point spray gun at glass when in the jet spray mode.
- Keep the hose connected to machine or the spray gun while the system is pressurized. Disconnecting the hose while the unit is pressurized is dangerous.
- Hold the spray gun firmly in your hand before you start the unit. Failure to do so could result in an injury from a whipping spray gun. Do not leave the spray gun unattended while the machine is running.
- The cleaning area should have adequate slopes and drainage to reduce the possibility of a fall due to slippery surfaces.
- Keep water spray away from electric wiring or fatal electric shock may result.
- Do not adjust unloader valve to a pressure in excess of machine rating.
- Do not secure trigger gun in the pull-back (open) position.
- Do not by-pass any safety device on this machine.
- The muffler and engine heat up during operation and remain hot immediately after shutting it down. Avoid contact with a hot muffler or engine or you could be severely burned.

MAINTENANCE AND STORAGE:

- Operate and store this unit on a stable surface.
- High pressure hose can develop leaks from wear, kinking, abuse, etc. Water spraying from a leak is capable of injecting material into skin. Inspect hose each time before using it. Check all hoses for cuts, leaks, abrasions or bulging of cover, or damage or movement of couplings. If any of these conditions exist, replace hose immediately. Never repair high pressure hose. Replace it with another hose that meets minimum pressure rating of your pressure washer.



LOOK FOR THIS SYMBOL TO POINT OUT IMPORTANT SAFETY PRECAUTIONS. IT MEANS "ATTENTION!!! BECOME ALERT!!! YOUR SAFETY IS INVOLVED."

ASSEMBLY

CARTON CONTENTS

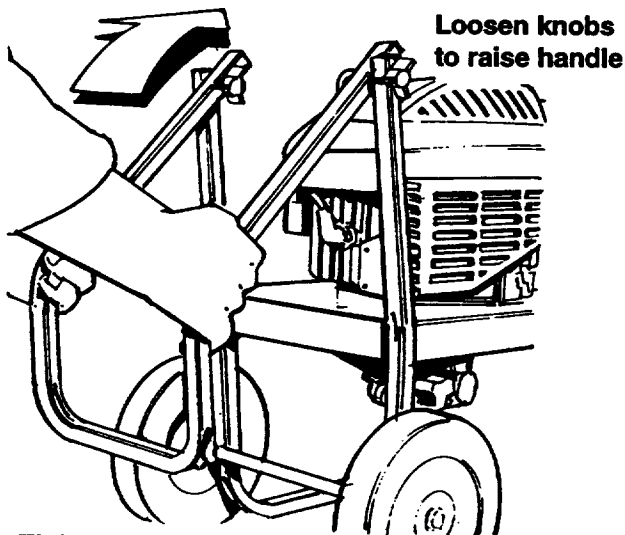
The following parts are shipped loose with your pressure washer:

- Main Unit — pressure washer with wheels, guide handle.
- High Pressure Hose
- Manual Bag (which includes the items listed below)
 - Owner's Manual
 - Nozzle Cleaner Kit
- Parts Box (which includes items listed below)
 - Spray Gun
 - Wand Extension with Hi/Lo Adjustable Nozzle.
 - Wire Form
 - Motor Oil
 - "O"-Ring Kit

Become familiar with each piece before assembling the pressure washer. Check all contents against the illustration on Page 6. If any parts are missing or damaged, call the Pressure Washer Helpline at 1-800-222-3136.

TO REMOVE PRESSURE WASHER FROM CARTON

- Remove loose parts and parts box included with pressure washer. The high pressure hose is packed in the bottom of the carton on the guide handle end. Remove the hose.
- Slice two corners at guide handle end of carton from top to bottom so the panel can be folded down flat, then remove all packing material.
- Raise guide handle, secure in place and roll the pressure washer out the open end of the carton.



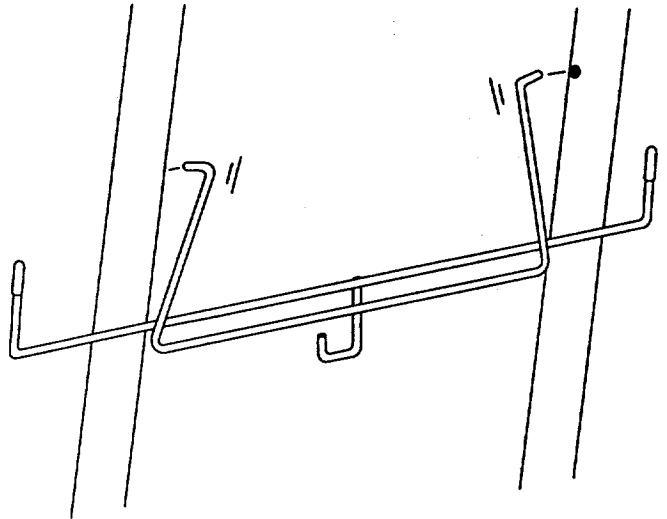
Tighten knobs when handle is straight.

- Check carton for additional loose parts.

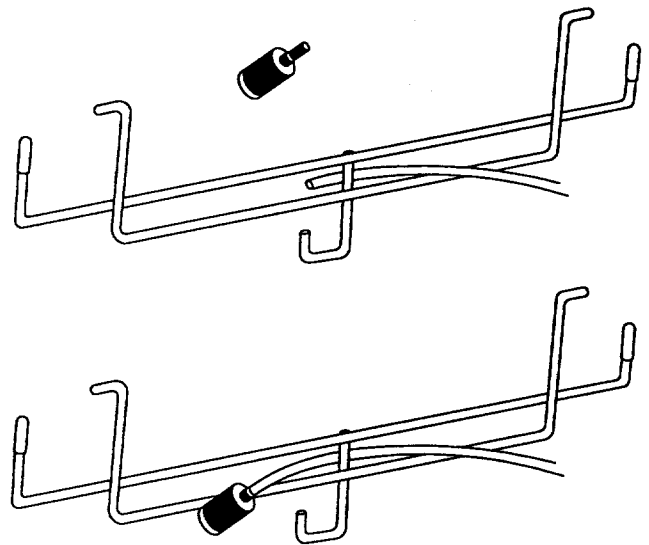
HOW TO SET UP YOUR PRESSURE WASHER

For the most part, your Craftsman High Pressure Washer has been assembled at the factory. You must, however, attach the wire form, assemble the spray gun, and attach the high pressure hose to the pump and spray gun.

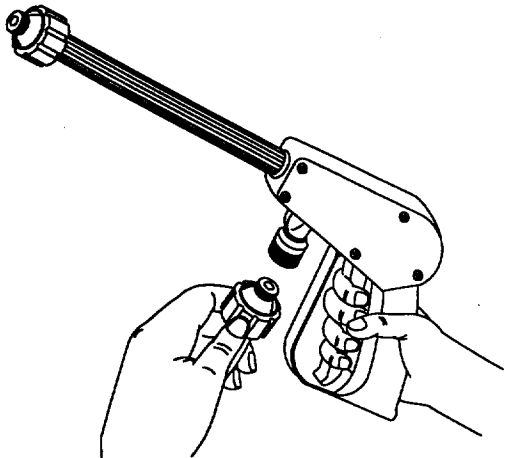
- While facing the rear of the Pressure Washer, insert the wire support with the longer arm positioned on the left. From this view the hook should resemble a "J".



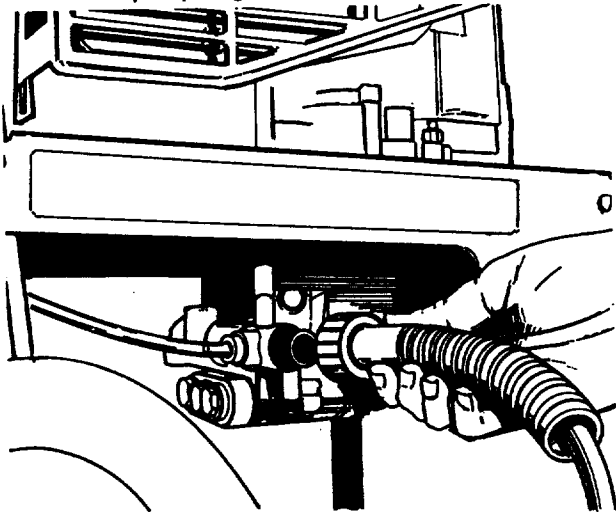
- Cut tie wrap on chemical injection tube. Remove chemical injection filter, thread chemical injection tube through the wire form and reinsert filter into tube.



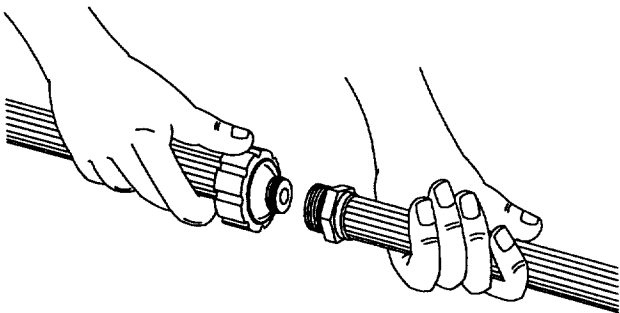
- Cut the tie wraps on the high pressure hose and connect high pressure hose to gun. Tighten by hand.



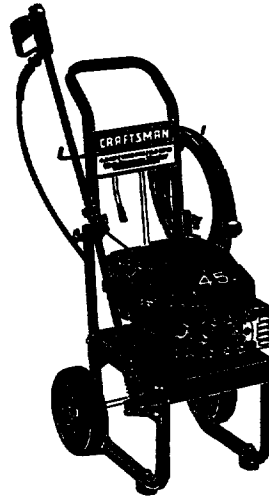
- Remove plastic cap and connect high pressure hose to pump. Tighten by hand.



- Attach nozzle extension to spray gun.



- Place assembled spray gun on holder.



CHECKLIST

Before you operate your new high pressure washer please review the following checklist:

- All assembly instructions have been completed.
- The high pressure hose connections to the spray gun and to the pump are tight and secure.

While learning how to use your high pressure washer, pay extra attention to the following important items:

- Engine oil is at proper level

Important: Any attempt to crank or start the engine before it has been properly serviced with the recommended oil may result in an engine failure. See Page 8 for instructions on adding oil and proper oil specifications.

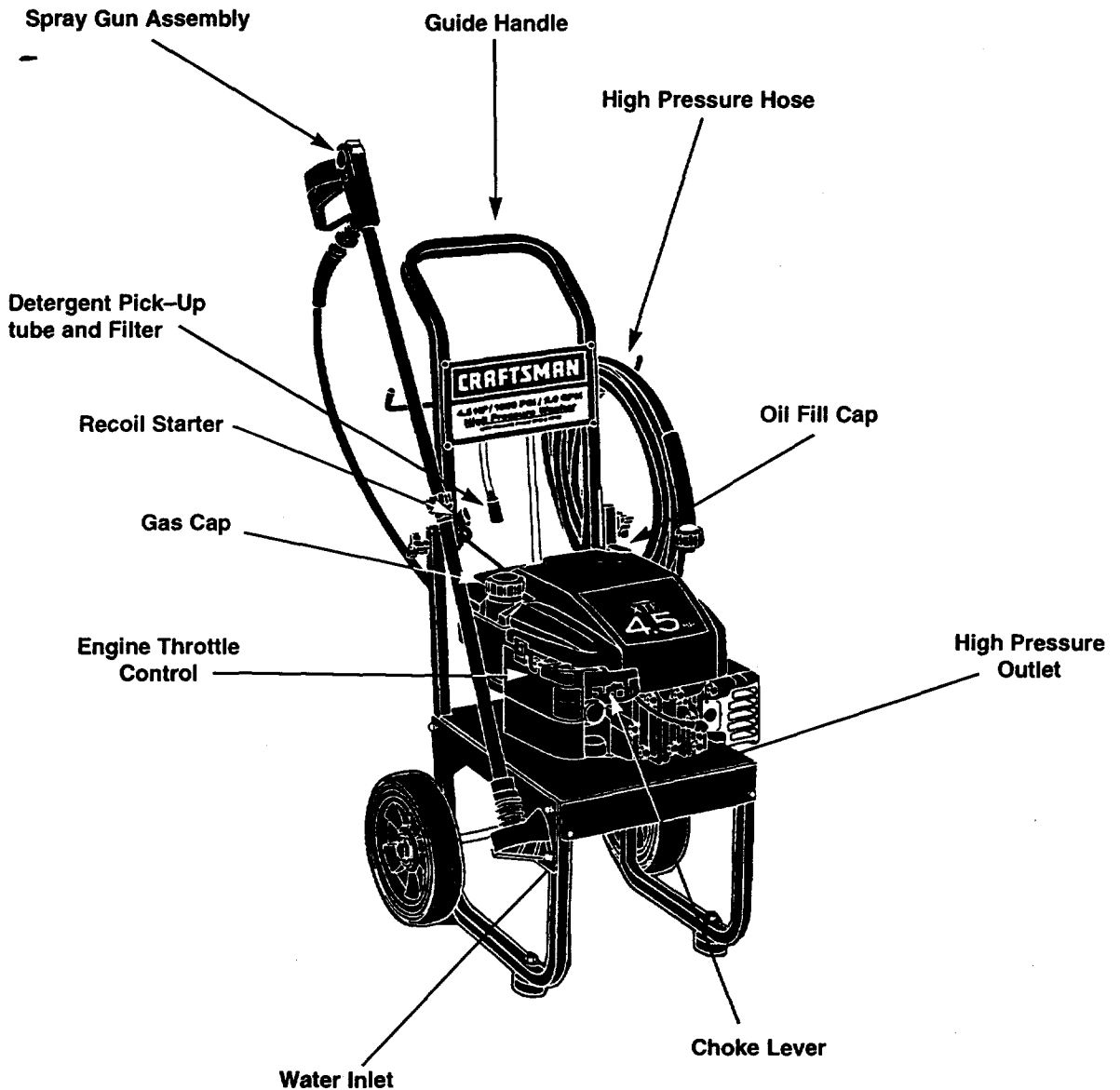
Important: The water supply to your pressure washer must be connected and turned on prior to starting your engine.

- Be sure gas tank is filled properly with clean, fresh, unleaded gasoline.
- Become familiar with all controls – their location and function. Operate those controls before starting the engine.

OPERATION

KNOW YOUR HIGH PRESSURE WASHER

Read this owner's manual and safety rules before operating your high pressure washer. Compare the illustrations with your high pressure washer to familiarize yourself with the locations of various controls and adjustments. Save this manual for future reference.



Pump – Develops high water pressure.

Engine Throttle Control Lever – Sets engine in starting mode for recoil starter; STOPS running engine.

Recoil Starter – Used for starting the engine manually.

Choke Lever – Puts a cold engine in starting mode.

Air Cleaner – Dry type filter element limits the amount of dirt and dust that gets in the engine.

Spray Gun Assembly – Controls the application of water onto cleaning surface with trigger device. Includes safety latch.

Detergent Pick-up Tube and Filter – Mixes water and detergent in outlet water flow.

High Pressure Outlet – Connection for high pressure hose.

Water Inlet – Connection for garden hose.

HOW TO USE YOUR PRESSURE WASHER

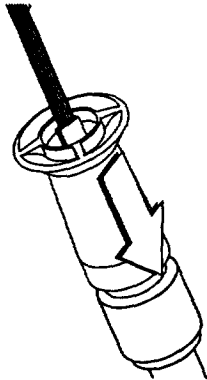
IF YOU HAVE ANY PROBLEMS operating your pressure washer, please call the pressure washer helpline at 1-800-222-3136.

▲ WARNING NEVER adjust spray pattern when spraying. NEVER put hands in front of spray nozzle to adjust spray pattern. You could be injured.

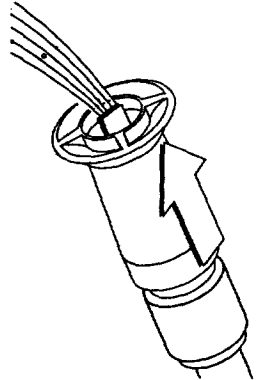
HOW TO USE THE ADJUSTABLE NOZZLE

On the end of your spray gun is a nozzle that you can slide forward and backward and that you can also twist from side to side. With the adjustable nozzle you can adjust the spray pattern to be either high pressure or low pressure. You can also adjust the spray so it is concentrated in a stream pattern or expanded into a fan pattern.

- Slide the nozzle forward when you wish to adjust the spray to low pressure mode. Slide the nozzle backward to achieve high pressure.

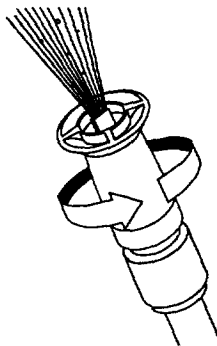


Nozzle in High Pressure Mode

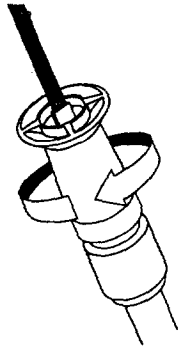


Slide Nozzle Forward for low pressure mode and detergent application

- Twisting the nozzle adjusts the spray pattern from a narrow pattern to a fan pattern.



Twist nozzle counter-clockwise for fan spray pattern



Twist nozzle clockwise for narrow spray pattern

- For most effective cleaning, keep spray nozzle between 8 to 24 inches away from cleaning surface.

- If you get spray nozzle too close, especially using high pressure mode, you may damage the cleaning surface.

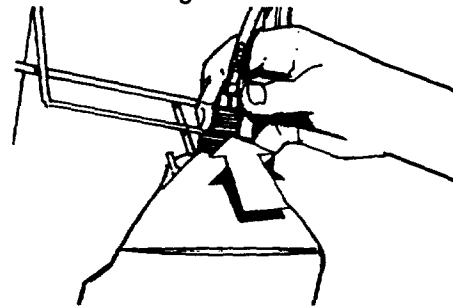
APPLYING DETERGENT AND CLEANING WITH ADJUSTABLE NOZZLE

IMPORTANT: Use soaps designed specifically for pressure washers. Household detergents could damage the pump.

IMPORTANT: You must attach all hoses before you start the engine. Starting the engine without all the hoses connected and without the water turned ON will damage the pump.

To apply detergent follow these steps:

- Prepare the detergent solution as required by the job.
- Hang the detergent solution on the "J" hook on the wire form on the guide handle.
- Place small filter on the clear, chemical injection tube into the detergent container.



- Slide the adjustable nozzle forward to low pressure mode. **Detergent cannot be applied with nozzle in high pressure position.**

Note: The first step involves applying an appropriate detergent/solvent solution to penetrate and loosen grime. The detergent is applied at low pressure to avoid splashing, overspraying and waste. Leave the solution on surface for 3 to 5 minutes to allow solution to work.

Note: The second step involves cleaning the surface you have prepared with the pressure washer and then rinsing it clean.

- Review the use of the adjustable nozzle.
- Connect garden hose to water inlet (see "TO START PRESSURE WASHER"), check that high pressure hose is connected to spray gun and pump (see ASSEMBLY), and start engine.
- For cleaning, start at lower portion of area to be washed and work upward, using long, even overlapping strokes.
- Allow the detergent to soak in between 3-5 minutes before washing and rinsing.

OPERATION

RINSING WITH THE PRESSURE WASHER

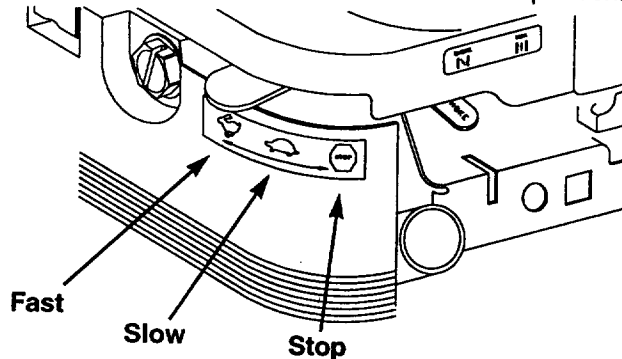
WARNING Be extremely careful if you must use the pressure washer from ladder, scaffolding or any other relatively unstable location. Pressure in a running washer builds in the wand as you climb. When you press the trigger, the recoil from the initial spray could force you to fall, or if you are too close to the cleaning surface, high pressure could force you off a climbing apparatus.

- Hook up the water supply and start your pressure washer (see TO START THE PRESSURE WASHER).
- Slide adjustable nozzle back to high pressure position and wait for detergent to clear. Detergent will not flow when in the high pressure mode.
- When detergent has cleared you may want to expand the spray pattern for a more gentle rinsing action. Start at top of area to be rinsed, working down with same action as for cleaning.

You can also stop detergent from flowing by simply removing siphon from bottle.

HOW TO STOP YOUR PRESSURE WASHER

- Move the Throttle Control Lever to the 'Slow' position.



- Wait for the engine to idle down.
- Move the Throttle Control Lever to the 'Stop' position.
- **Simply shutting off the engine will not release pressure in the system.** Squeeze trigger on the spray gun to relieve pressure in the hose.

Note: A small amount of water will squirt out when you release the pressure.

BEFORE STARTING THE PRESSURE WASHER

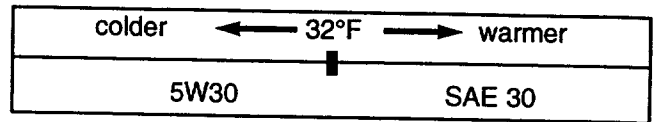
To operate the engine you will need to do the following:

ENGINE OIL

- A 20 oz. bottle of SAE 30 weight oil is included in the parts carton. Fill engine crankcase with recommended oil until oil level is at FULL point on dipstick. Do not overfill above that mark. **POUR SLOWLY.**

Note: When adding oil to the engine crankcase in the future, use only high quality detergent oil rated with API service classification SF or SG rated SAE 30 weight. Use no special additives.

Select the oil's viscosity grade according to your expected operating temperature.



Although multi-viscosity oils (5W30, 10W30, etc.) improve starting in cold weather, these multi-viscosity oils will result in increased oil consumption when used above 32°F. Check your engine oil level more frequently to avoid possible damage from running low on oil.

- Place pressure washer on a level surface
- Clean area around oil fill and remove oil dipstick.
- Wipe dipstick clean.
- Pour oil from enclosed bottle into the oil fill opening until oil reaches FULL mark on the dipstick. Stop and check the oil level periodically. **DO NOT OVERFILL.**
- Install oil dipstick, hand tighten securely.

ADD GASOLINE

WARNING NEVER fill fuel tank indoors. **NEVER** fill fuel tank when engine is running or hot. **DO NOT** light a cigarette or smoke when filling the fuel tank.

CAUTION: Do not overfill the fuel tank. Always leave room for expansion.

- Use regular **UNLEADED** gasoline with the pressure washer engine. Regular leaded gasoline may also be used if **UNLEADED** is not available. Fuel tank capacity is 1.6 U.S. quart.

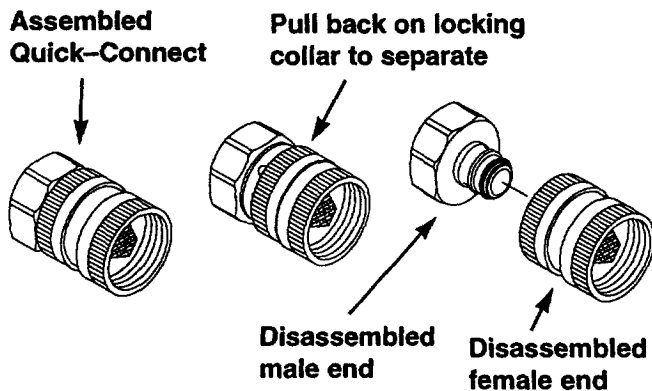
IMPORTANT: It is important to prevent gum deposits from forming in essential fuel system parts such as the carburetor, fuel filter, fuel hose or tank during storage. Also, experience indicates that alcohol-blended fuels (called gasohol, ethanol or methanol) can attract moisture which leads to separation and formation of acids during storage. Acidic gas can damage the fuel system of an engine while in storage. To avoid engine problems, the fuel system should be emptied before storage of 30 days or longer. See "Storage" on page 13. Never use engine or carburetor cleaner products in the fuel tank or permanent damage may occur.

- Clean area around fuel fill cap, remove cap.
- Add "**UNLEADED**" regular gasoline, slowly, to fuel tank.
- Install fuel cap and wipe up any spilled gasoline.

TO START YOUR PRESSURE WASHER

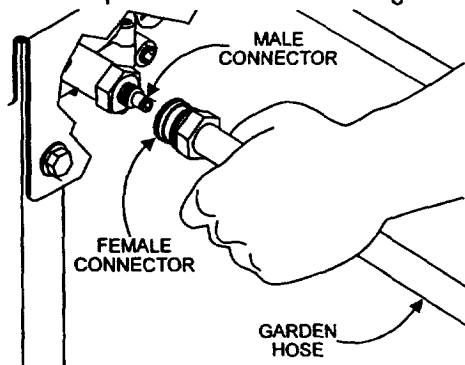
You have assembled your high pressure washer and have prepared the engine for starting. You are now ready to clean your car, boat or whatever you plan to clean.

- Place the pressure washer in an area close enough to an outside water source that can flow at a rate of at least 2 gallons per minute. Connect a garden hose to the water spout.
- Check that the high pressure hose is tightly connected to the spray gun and to the pump. See ASSEMBLY section for illustrations.
- Pull back on the locking collar to remove the female quick-connect from pump.



Note: You will also need to pull back on the locking collar to attach the female quick-connect.

- Check inlet screen. If the screen is dirty, clean before attaching to garden hose. If the screen is damaged, **Do not** connect to the garden hose. Call the pressure washer customer helpline to order a replacement.
- Attach the female quick-connect to garden hose and then attach the garden hose to the water inlet. Make sure the quick-connect is locked together.

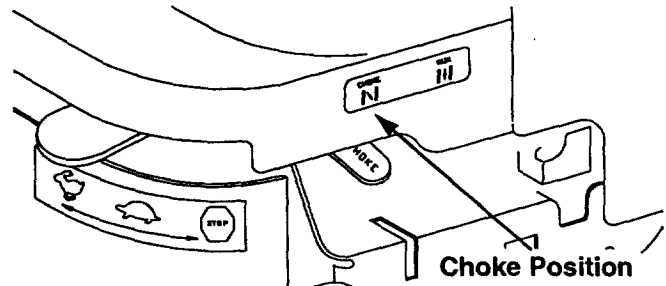


- Turn on the water.

IMPORTANT: Do not run pump without the water supply connected and turned on. You must follow this caution or the pump will be damaged.

- Move the Throttle Control Lever to the 'Fast' position

- Set Choke Lever to "Choke" position. Note: This is a multi-position choke.



Note: For a warm engine, be sure the Throttle Control Lever is in the 'Fast' position and the Choke Lever is in the "Run" position.

- Position the nozzle in the low pressure mode (nozzle slid forward) and squeeze the trigger on the spray gun to relieve the air pressure caused by turning ON the water. Water will spew out the gun in a thin stream. Continue to hold trigger until you have a steady stream of water and no air remains in the system. This will make it easier to pull start the engine. Release the trigger.
- Engage the safety latch on the gun.
- Grasp rope handle and pull slowly until you feel some resistance. Then pull cord rapidly to overcome compression, prevent kickback and start the engine. Let rope return to starter **slowly**.

Note: Always keep the Throttle Control Lever in the 'Fast' position when operating the pressure washer.

- When the engine starts, gradually move the Choke Lever from one position to the next until it is in the "Run" position.

Note: If after 3 pulls the engine fails to start, move the Choke Lever to the 'Run' position and pull the recoil starter handle rapidly (Max. 3 pulls).

SIPHONING

We recommend that you **DO NOT** siphon standing water for your water supply. Contaminated, brackish or dirty water can damage the pump. Connect only to household water supply.

TIPS

- Never use the garden hose inlet to siphon detergent or wax.
- If you have the spray nozzle too far away, the cleaning will not be as effective.

MAINTENANCE

CUSTOMER RESPONSIBILITIES

MAINTENANCE SCHEDULE FILL IN DATES AS YOU COMPLETE REGULAR SERVICE	HOURLY OPERATING INTERVAL			SERVICE DATES				
	Before Each Use	Every 25 Hours or Yearly	Every 100 Hours or Yearly					
MAINTENANCE TASK								
PRESSURE WASHER								
Check/clean water inlet screen on quick-connect.	X†							
Check high pressure hose.	X							
Check detergent hose.	X							
Check spray gun and assembly for leaks.	X							
Purge pump of air and contaminants.	X							
ENGINE								
Check oil level.	X							
Change engine oil.		X*						
Service air cleaner.		X**						
Clean/replace spark plug.			X					
Prepare for storage.	Prepare unit for storage if it is to remain idle for longer than 30 days.							

† Clean if clogged. Replace if perforated or torn.

* Change sooner when operating under heavy load or high ambient temperature.

** Clean more often under dirty or dusty conditions.

GENERAL RECOMMENDATIONS

The warranty of the high pressure washer does not cover items that have been subjected to operator abuse or negligence. To receive full value from the warranty, operator must maintain high pressure washer as instructed in this manual.

Some adjustments will need to be made periodically to properly maintain your high pressure washer.

All adjustments in the Service and Adjustments section of this manual should be made at least once each season.

- Once a year you should clean or replace the spark plug and clean or replace the air filter and check the gun and wand assembly for wear. A new spark plug and clean air filter assure proper fuel-air mixture and help your engine run better and last longer.

PRODUCT SPECIFICATIONS

Pressure Washer Specifications

PRESSURE	1800 psi
FLOW RATE	2 GPM
DETERGENT MIX	Use undiluted detergent
WATER SUPPLY TEMPERATURE	Not to Exceed 140°F

Engine Specifications

ENGINE MODEL	Briggs & Stratton
RATED HORSEPOWER	4.5
DISPLACEMENT	190cc
SPARK PLUG: Type:	Champion J-19LM or equivalent
Set Gap to:	0.030 inch (0.76mm)
GASOLINE CAPACITY	1.6 U.S. quart
OIL	SAE 30 weight
SOLID STATE IGNITION AIR GAP	0.0125 inch

In the State of California a spark arrestor is required by law (Section 4442 of the California Public Resources Code). Other states may have similar laws. Federal laws apply on federal lands.

Note: If you equip the engine of your pressure washer with a spark arrestor muffler, the spark arrestor must be maintained in effective working order by the owner/operator.

You can order a spark arrestor through your Sears Service Center.

BEFORE EACH USE

- Check water inlet screen for damage.
- Check high pressure hose for leaks.
- Check detergent inlet hose and filter for damage.
- Check gun and wand assembly for leaks.
- Purge pump of air and contaminants.
- Check engine oil level.

PRESSURE WASHER MAINTENANCE

Check and Clean Inlet Screen: Remove quick-connect and examine inlet screen on the female connector. Clean if it is clogged or replace if it is torn.

Check High Pressure Hose: High pressure hose can develop leaks from wear, kinking, abuse. Inspect hose each time before using it. Check for cuts, leaks, abrasions or bulging of cover, or damage or movement of couplings. If any of these conditions exist, replace hose immediately.



DANGER: Water spraying from a leak is capable of injecting material into skin. NEVER repair high pressure hose. Replace with hose that meets minimum pressure rating of your pressure washer.

Check Detergent Hose: Examine the filter on the detergent hose and clean if clogged. Hose should fit tightly on barbed fitting. Examine hose for leaks or tears. Replace the filter or hose if either is damaged.

Check Gun and Wand: Examine hose connection to gun and make sure it is secure. Test trigger by pressing it and making sure it springs back into place when you release it. Put safety latch in UP position and test trigger. You should not be able to press trigger.

Purge Pump of Air and Contaminants

To remove the air from the pump, follow these steps:

- Set up the pressure washer as described in the ASSEMBLY section and connect the water supply.
- Remove the wand extension from the gun.
- Pull the trigger on the gun and hold.

To remove the contaminants from the pump, follow these steps:

- Set up the pressure washer as described in the ASSEMBLY section, and connect the water supply.
- Remove the nozzle attachment from the gun.
- Start the engine according to instructions in OPERATION section.
- Pull the trigger on the gun and hold.
- When the water supply is steady and constant, engage the safety latch and refasten the nozzle attachment.

ENGINE MAINTENANCE

CHECKING OIL LEVEL

Oil level should be checked prior to each use or at least every 5 hours of operation. Keep oil level maintained.

CHANGING ENGINE OIL

Change engine oil every 25 hours. If you are using your pressure washer under extremely dirty or dusty conditions, or in extremely hot weather, change oil more often.

- Change oil while engine is still warm from running, as follows:
- Before you tip the pressure washer to drain oil, drain fuel tank by running pressure washer until fuel tank is empty.
- Clean area around oil fill, remove oil fill cap/dipstick. Wipe dipstick clean.
- Tip your pressure washer to drain oil completely from the oil fill tube into a suitable container. When crankcase is empty, return the pressure washer to upright position.
- Fill engine crankcase with recommended oil until oil level is at FULL point on dipstick. Do not overfill above that mark. POUR SLOWLY.
- When engine crankcase is filled to proper level, install and tighten oil cap/dipstick.

SERVICE AIR CLEANER

Your engine will not run properly and may be damaged if you run it with a dirty air cleaner.

Clean or replace the air cleaner once every 25 hours of operation or once each year, whichever comes first. Clean or replace more often if operating under dirty or dusty conditions. Replacements are available at your local Sears Authorized Service Center.

To clean or replace the air cleaner, follow these steps:

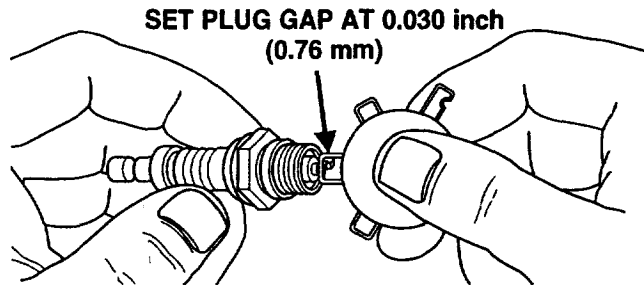
- Remove screw on the air cleaner cover.
- Remove air cleaner carefully to prevent debris from falling into carburetor.
- Take air cleaner apart and clean all parts and service the foam element.
- Wash foam element in liquid detergent and water. If the element is damaged or very dirty, replace the element.
- Squeeze the element dry in a clean cloth.
- Saturate the foam element in engine oil. Squeeze the saturated element in a clean cloth to remove excess oil.
- Reassemble all parts and fasten securely to the carburetor with the screw.

CLEAN/REPLACE SPARK PLUG



CAUTION: Disconnect spark plug wire from spark plug and keep wire away from spark plug.

Change the spark plug every 100 hours of operation or once each year, whichever comes first. This will help your engine to start easier and run better. Replace with champion J-19LM or equivalent type spark plug. Set the spark plug gap to 0.030 inch (0.76mm).



CARBURETOR

If you think your carburetor needs adjusting, see your nearest Sears Service dealer. Engine performance may be affected above 4,000 feet in altitude. To improve engine performance, see your nearest Sears Service dealer.

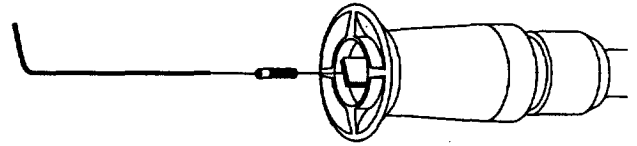
NOZZLE MAINTENANCE

If the nozzle becomes restricted or clogged with foreign materials, such as dirt, excessive pump pressure may develop. A partially clogged nozzle can cause a pulsing sensation during use. This generally is not a pump related problem, but rather a clogged or partially restricted nozzle.

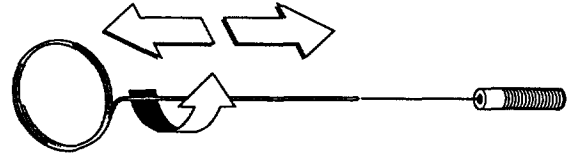
If the nozzle becomes clogged or partially restricted, immediately clean the nozzle with the kit included with your pressure washer by following these instructions:

- Shut off the engine and turn off the water supply.
- Separate the wand from the gun.
- Rotate to stream setting.

- Remove nozzle from the end of the wand using the allen wrench included with the kit or a 2mm or 5/64 allen wrench.

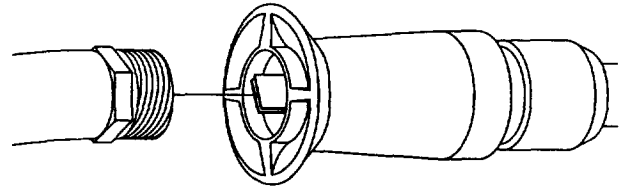


- Use the wire included in the kit or a small paper clip to free the foreign materials clogging or restricting the nozzle.



Insert wire into nozzle and turn back and forth to clear obstruction.

- Remove additional debris by back flushing water supply through wand. Back flush between 30 to 60 seconds. Turn wand to stream spray and move nozzle from low to high pressure while flushing.



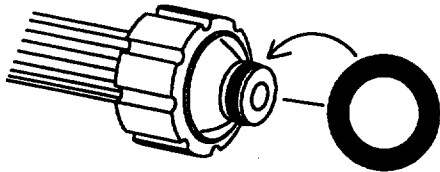
- Reinstall nozzle into wand. **DO NOT** overtighten.
- Reconnect wand extension to spray gun.
- Reconnect the water supply, turn **ON** the water, and start the engine.
- Test the pressure washer by operating with nozzle in the high and the low pressure positions.

O-RING MAINTENANCE

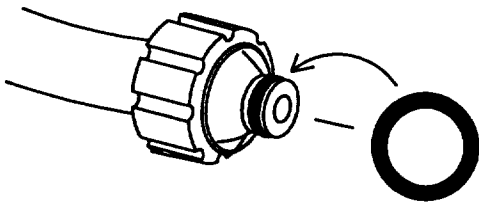
Through the normal operation of your pressure washer, O-Rings, which keep the connections of the hoses and gun tight and leak-free may become worn or damaged. Provided with your pressure washer is an O-Ring Maintenance Kit which provides replacement O-Rings, Rubber Washer and Quick Connect filter.

Parts in the O-Ring Kit Include:

- 1 O-Ring (p/n 97837) for the end of the spray gun connection between gun and high/low spray wand.

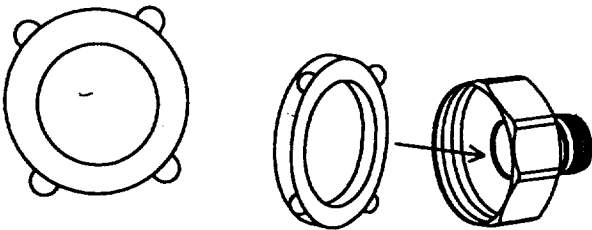


- 2 O-Rings (p/n B2264) for the ends of the high pressure hose.

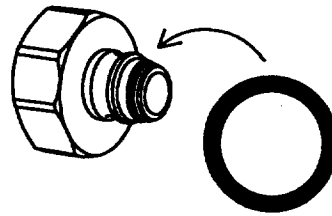


Note: The above two O-Rings are close in size. Please match carefully to assure proper O-Ring usage.

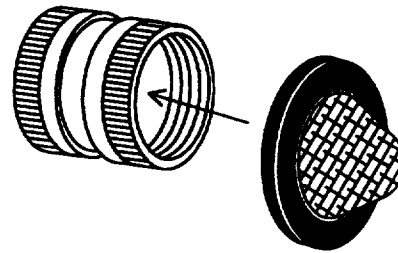
- 1 Rubber Washer (p/n B2385) for the inside of the Male Quick-Connect.



- 1 O-Ring (p/n B2386) for the outside of the Male Quick-Connect.



- 1 Water Inlet Screen (p/n B2384) for the Female Quick-Connect.



To remove a worn or damaged O-Ring:

- Use a small flathead screwdriver to get underneath the O-Ring and pry it off.

STORAGE

AFTER EACH USE

Water should not remain in the unit for long periods of time. Sediments of minerals can deposit on pump parts and "freeze" pump action. Follow these procedures after every use:

- Flush detergent hose by placing the injector filter into a pail of clear water while running Pressure Washer with nozzle in low pressure mode. Flush until you can see clear water running through the tube.
- Shut off the engine and let it cool, then remove all hoses.



CAUTION: Be sure throttle lever is in "STOP" position before you continue. If you start engine without the proper water supply connected, you can damage the pump.

- Empty the pump of all pumped liquids by pulling recoil handle about 6 times. This should remove most of the liquid in the pump.
- Coil the high pressure hose and inspect it for damage. Cuts in the hose or fraying of it could result in leaks and loss of pressure. Should any damage be found, replace the hose. DO NOT attempt to repair a damaged hose. Replace the hose with the genuine Craftsman part.
- Drain water from hose and properly hang it on the wire support provided on the guide handle.



DANGER: NEVER store engine with fuel in tank indoors or in enclosed, poorly ventilated areas where fumes may reach an open flame, spark or pilot light as on a furnace, water heater, clothes dryer or other gas appliance.

- Store in a clean, dry area.

WINTER STORAGE



CAUTION: You must protect your unit from freezing temperatures. Failure to do so will permanently damage your pump and render your unit inoperable.

To protect the unit from freezing temperatures:

- Draw windshield washer fluid into the pump by pouring the washer fluid into a 3-foot section of garden hose connected to the inlet adapter and pulling the recoil handle twice.

LONG TERM STORAGE

If you do not plan to use the Pressure Washer for more than 30 days, you must prepare the engine for long term storage.

Note: As always, prepare the pressure washer pump as you would after each use.

It is important to prevent gum deposits from forming in essential fuel system parts such as the carburetor, fuel filter, fuel hose or tank during storage. Also, experience indicates that alcohol-blended fuels (called gasohol, ethanol or methanol) can attract moisture which leads to separation and formation of acids during storage. Acidic gas can damage the fuel system of an engine while in storage.

To avoid engine problems, the fuel system should be emptied before storage of 30 days or longer. Follow these instructions:

PROTECT FUEL SYSTEM



DANGER: Drain fuel into approved container outdoors, away from open flame. Be sure engine is cool. Do not smoke.

- Remove all gasoline from the fuel tank to prevent gum deposits from forming on these parts and causing possible malfunction of engine.
- Run engine until engine stops from lack of fuel. Make sure you have water supply to pump inlet connected and turned ON.

CHANGE OIL

While engine is still warm, drain oil from crankcase. Refill with recommended grade. (See Changing Oil Level on Page 11.)

OIL CYLINDER BORE

- Remove spark plug and pour about 1/2 ounce (15ml) of engine oil into the cylinder. Cover spark plug hole



CAUTION: Avoid spray from spark plug hole when cranking engine slowly.

with rag. Crank slowly to distribute oil.

- Install spark plug. Do not connect spark plug wire.

OTHER

- Do not store gasoline from one season to another.
- Replace your gasoline can if your can starts to rust. Rust and/or dirt in your gasoline will cause problems.
- If possible, store your unit indoors and cover it to give protection from dust and dirt. **BE SURE TO EMPTY THE FUEL TANK.**
- Cover your unit with a suitable protective cover that does not retain moisture.

IMPORTANT: NEVER cover your pressure washer while engine and exhaust area are warm.

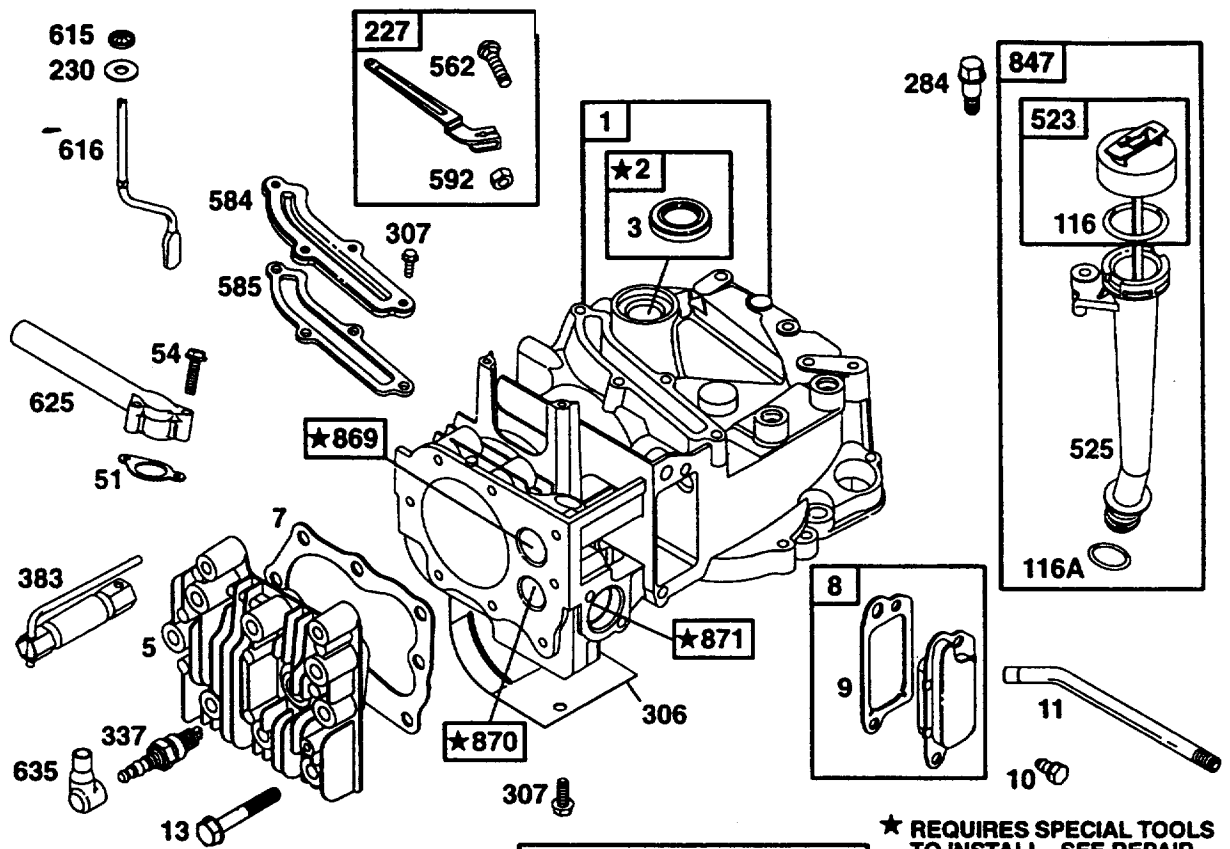
TROUBLESHOOTING

PROBLEM	CAUSE	CORRECTION
<p>Pump has following problems: failure to produce pressure, or erratic pressure, chattering, loss of pressure, low water volume.</p>	<ol style="list-style-type: none"> 1. Nozzle in low pressure mode. 2. Water inlet is blocked. 3. Inadequate water supply 4. Inlet hose is kinked or leaking 5. Clogged water inlet screen. 6. Water supply is over 140°F. 7. Outlet hose is blocked. 8. Outlet hose leaks. 9. Gun leaks. 10. Nozzle is obstructed. 11. Pump is faulty. 	<ol style="list-style-type: none"> 1. Pull nozzle backward for high pressure mode. 2. Clear inlet 3. Provide adequate water flow at least 2 gpm. 4. Straighten inlet hose, patch leak. 5. Replace / clean water inlet screen. 6. Provide cooler water supply. 7. Clear blocks in outlet hose. 8. Replace outlet hose if leaking. 9. Replace o-ring or gun if necessary. 10. Clear nozzle. 11. Contact Sears Service Department.
<p>Detergent fails to mix with spray.</p>	<ol style="list-style-type: none"> 1. Detergent line is not submerged. in detergent spray 2. Chemical filter is clogged. 3. Nozzle is in high pressure mode. 	<ol style="list-style-type: none"> 1. Insert chemical line into detergent. 2. Clean or replace filter/detergent line. 3. Push nozzle forward for low pressure mode.
<p>Engine runs good when not spraying but dies when you begin to spray.</p>	<p>Engine speed is too slow.</p>	<p>Contact Sears Service Department.</p>
<p>Engine will not start; or starts and runs rough</p>	<ol style="list-style-type: none"> 1. Dirty air cleaner 2. Out of gasoline. 3. Stale gasoline. 4. Spark plug wire not connected to spark plug. 5. Bad spark plug. 6. Water in gasoline. 7. Overchoking or flooded 8. Excessively rich fuel mixture. 9. Intake valve stuck open or closed. 10. Engine has lost compression. 	<ol style="list-style-type: none"> 1. Clean or replace air cleaner. 2. Fill fuel tank. 3. Drain gas tank; fill with fresh fuel. 4. Connect wire to spark plug. 5. Replace spark plug. 6. Drain gas tank; fill with fresh fuel. 7. Set engine throttle control lever to fast position, choke in run position. 8. Contact Sears Service Department. 9. Contact Sears Service Department. 10. Contact Sears Service Department.
<p>Engine shuts down during operation</p>	<ol style="list-style-type: none"> 1. Out of gasoline. 2. Air filter dirty 	<ol style="list-style-type: none"> 1. Fill fuel tank. 2. Replace Air filter.
<p>Engine lacks power.</p>	<p>Dirty air filter.</p>	<p>Replace air filter.</p>

PARTS

CRAFTSMAN 1800 PSI HIGH PRESSURE WASHER 580.761800

BRIGGS & STRATTON 4-CYCLE ENGINE 12F802-2407-E1



1058 OWNER'S MANUAL

★ REQUIRES SPECIAL TOOLS TO INSTALL. SEE REPAIR INSTRUCTION MANUAL.

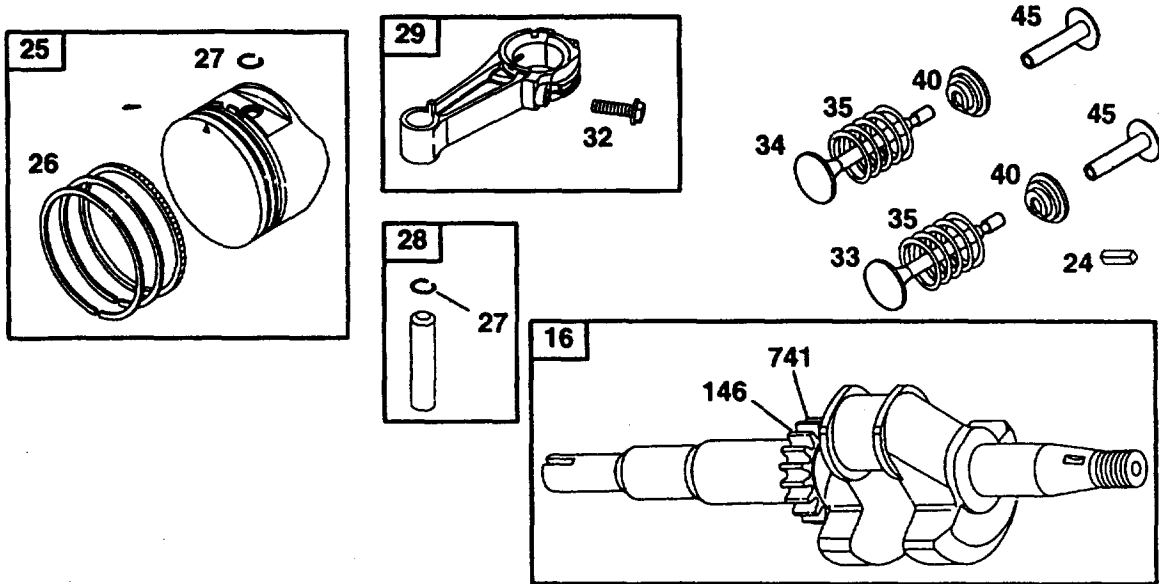
REF. NO.	PART NO.	DESCRIPTION	REF. NO.	PART NO.	DESCRIPTION	REF. NO.	PART NO.	DESCRIPTION
1	493260	Cylinder Assembly	227	492349	Lever-Governor	616	263175	Crank-Governor
2	293708	Bushing	230	67072	Washer	625	497465	Manifold-Intake
3	★299819	Seal-Oil	284	94511	Screw-Shoulder	635	66538	Boot-Spark Plug
5	214626	Head-Cylinder	306	224324	Shield-Cylinder	847	495263	Dipstick/Tube Assembly
7	★Ø272916	Gasket-Cylinder Head	307	94515	Screw-Hex.	869	213512	Seat-Valve (Intake)
8	495786	Breather Assembly	337	802592	Plug-Spark	870	213513	Seat-Valve (Exhaust)
9	★Ø272481	Gasket-Breather	383	89838	Wrench-Spark Plug	871	262001	Bushing-Guide (Exhaust Valve)
10	94650	Screw-Hex.	523	495264	Dipstick	Note 63709 Bushing-Guide (Intake Valve)		
11	231685	Tube-Breather	525	495265	Tube-Oil Fill			
13	94547	Screw-Hex.	562	92613	Bolt-Carriage	1058	273693	Owner's Manual
51	★272199	Gasket-Intake	584	224328	Baffle-Cylinder			
54	94526	Screw-Hex.	585	★272238	Gasket-Breather			
116	★280393	Seal-O-Ring	592	231082	Nut-Hex.			
116A	★280966	Seal-O-Ring	615	94474	Retainer			

★ Included in Gasket Set-Part Number 497316.
● Included in Carburetor Kit-Part Number 498260.

◆ Included in Carburetor Gasket Set-Part Number 498261.
Ø Included in Valve Overhaul Gasket Set-Part No. 498528.

Assemblies include all parts shown in frames.

CRAFTSMAN 1800 PSI HIGH PRESSURE WASHER 580.761800
BRIGGS & STRATTON 4-CYCLE ENGINE 12F802-2407-E1



REF. NO.	PART NO.	DESCRIPTION	REF. NO.	PART NO.	DESCRIPTION	REF. NO.	PART NO.	DESCRIPTION
16	498571	Crankshaft	28	499423	Pin-Piston (Standard)	34	262652	Valve-Intake
24	222698	Key-Flywheel	29	499424	Rod-Connecting (Standard)	35	262224	Spring-Valve
25	499429	Piston Assembly (Standard)	32	94699	Screw-Hex.	40	93312	Retainer-Valve
26	499425	Ring Set (Standard)	33	262651	Valve-Exhaust	45	262204	Tappet-Valve
27	263190	Lock-Piston Pin				146	94388	Key-Timing
						741	262598	Gear-Timing

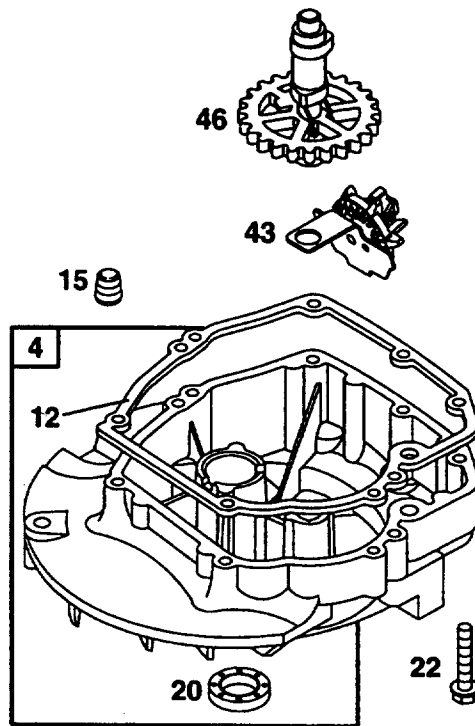
* Included in Gasket Set-Part Number 497316.
 • Included in Carburetor Kit-Part Number 498260.

◆ Included in Carburetor Gasket Set-Part Number 498261.
 ◊ Included in Valve Overhaul Gasket Set-Part No. 498528.

Assemblies include all parts shown in frames.

PARTS LIST

**CRAFTSMAN 1800 PSI HIGH PRESSURE WASHER 580.761800
BRIGGS & STRATTON 4-CYCLE ENGINE 12F802-2407-E1**



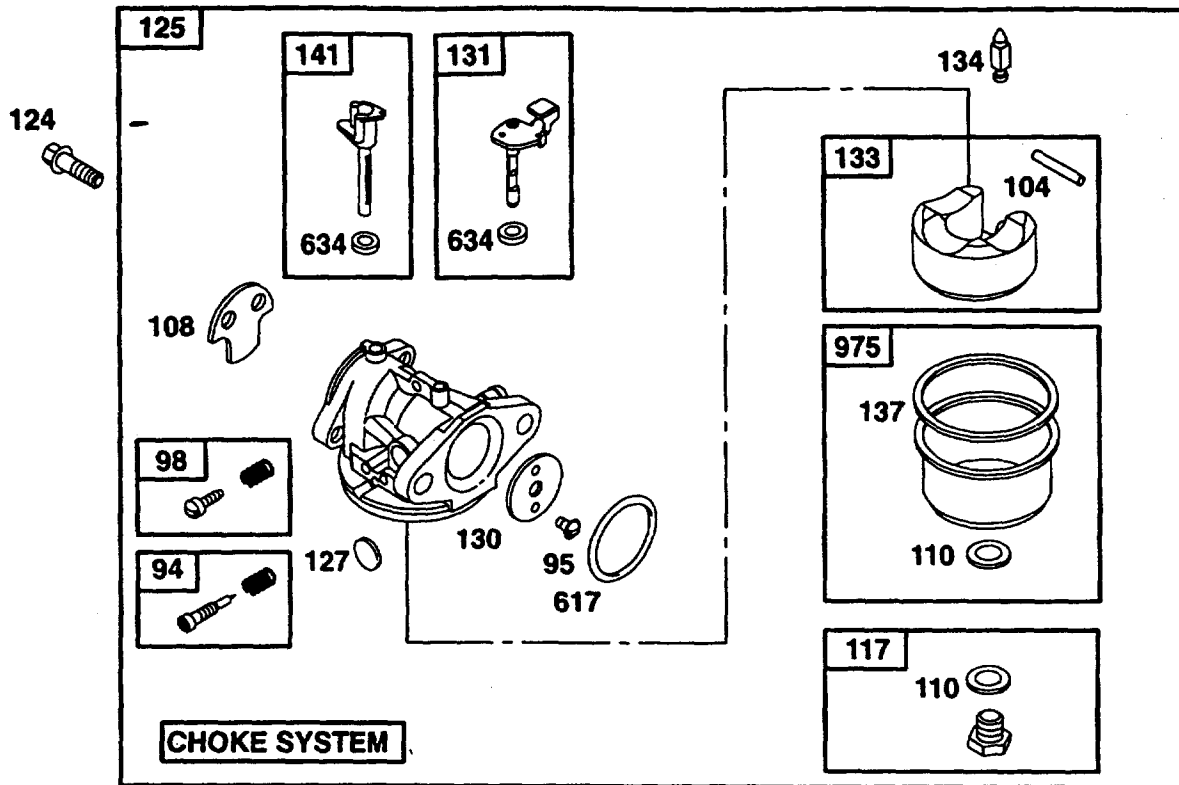
REF. NO.	PART NO.	DESCRIPTION	REF. NO.	PART NO.	DESCRIPTION	REF. NO.	PART NO.	DESCRIPTION
4	493279	Sump-Engine	20	*399781	Seal-Oil	43	493737	Governor/Oil Slinger
12	*272198	Gasket-Crankcase	22	94220	Screw-Hex.	46	498275	Gear-Cam
15	94720	Plug-Oil Drain						

* Included in Gasket Set-Part Number 497316.
● Included in Carburetor Kit-Part Number 498260.

◆ Included in Carburetor Gasket Set-Part Number 498261.
∅ Included in Valve Overhaul Gasket Set-Part No. 498528.

Assemblies include all parts shown in frames.

CRAFTSMAN 1800 PSI HIGH PRESSURE WASHER 580.761800
BRIGGS & STRATTON 4-CYCLE ENGINE 12F802-2407-E1



REF. NO.	PART NO.	DESCRIPTION	REF. NO.	PART NO.	DESCRIPTION	REF. NO.	PART NO.	DESCRIPTION
94	493765	Valve-Idle Adjustment	124	94525	Screw-Hex.	141	494218	Shaft-Choke
95	94098	Screw-Slotted	125	499059	Carburetor	617	270344	Seal-Intake Manifold
96	398185	Screw-Idle Speed	127		Plug-Welch (Sold in Kit Only)	634		Washer (Sold in Kit Only)
104	231371	Pin-Float Hinge	130	223470	Valve-Throttle	975	493640	Bowl-Float
108	223471	Valve-Choke	131	493267	Shaft-Throttle			
110		Seal-O-Ring (Sold in Kit Only)	133	398187	Float-Carburetor			
117	498978	Jet-Main (Standard)	134	398188	Valve-Needle (Includes Seat)			
	497315	Jet-Main (High Altitude)	137		Gasket-Float Bowl (Sold in Kit Only)			

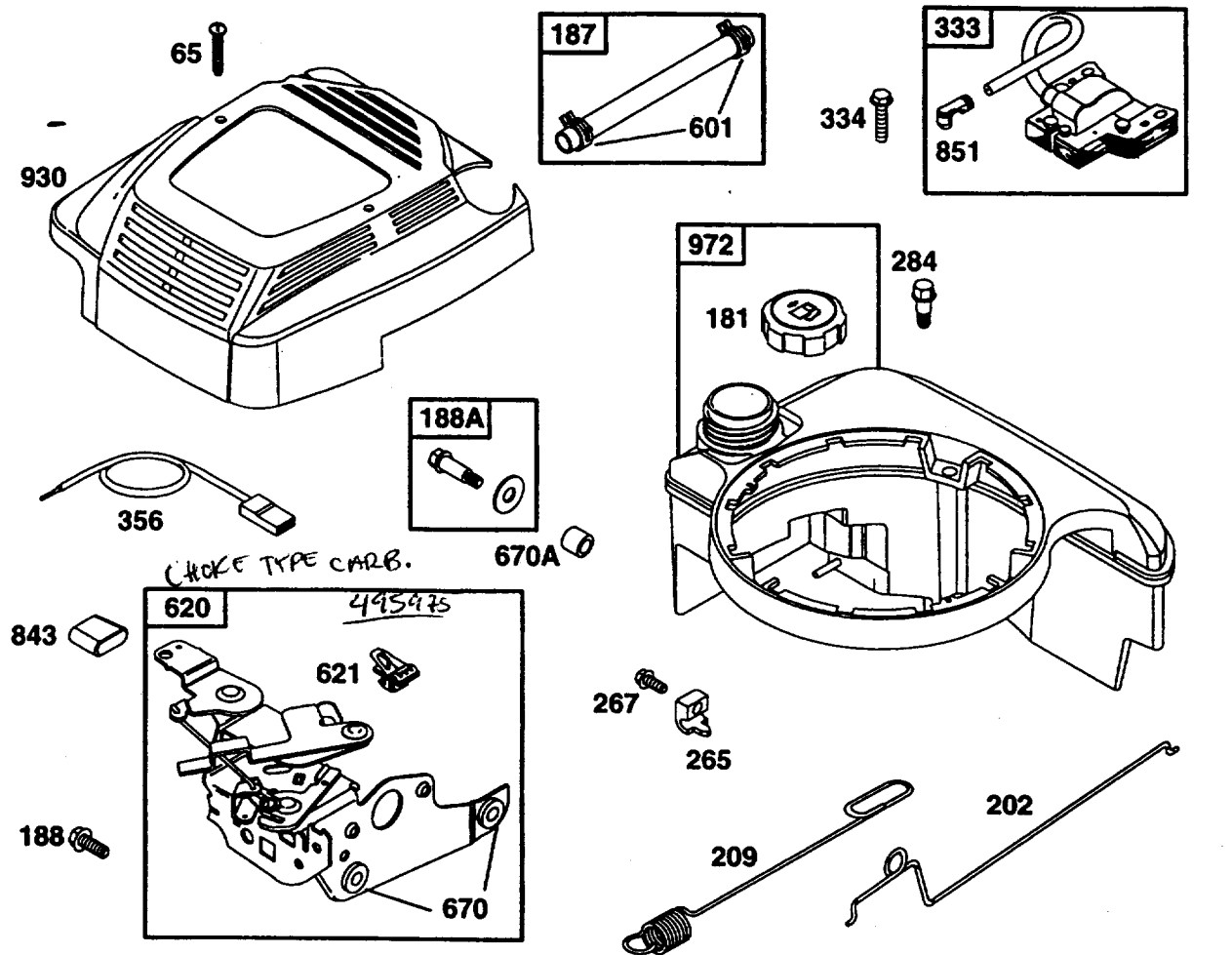
★ Included in Gasket Set-Part Number 497316.
 ● Included in Carburetor Kit-Part Number 498260.

◆ Included in Carburetor Gasket Set-Part Number 498261.
 Ø Included in Valve Overhaul Gasket Set-Part No. 498528.

Assemblies include all parts shown in frames.



**CRAFTSMAN 1800 PSI HIGH PRESSURE WASHER 580.761800
BRIGGS & STRATTON 4-CYCLE ENGINE 12F802-2407-E1**



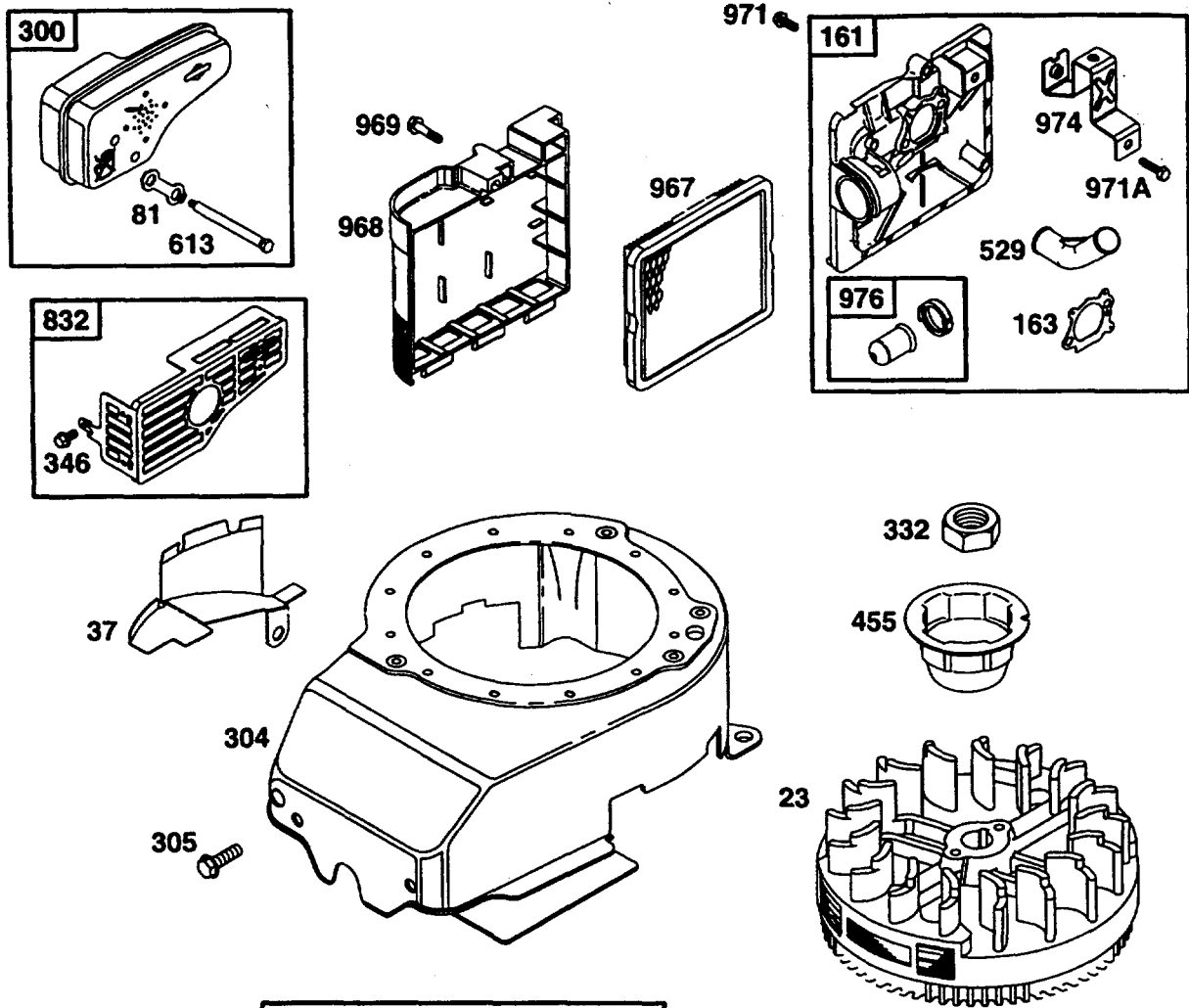
REF. NO.	PART NO.	DESCRIPTION	REF. NO.	PART NO.	DESCRIPTION	REF. NO.	PART NO.	DESCRIPTION
65	94696	Screw-Phillips	265	213146	Clamp-Casing	620	499737	Bracket-Control
181	397974	Cap-Fuel Tank	267	94694	Screw-Slotted Hex.	621	396847	Switch-Stop
187	298049	Line-Fuel (Cut To Required Length)	284	94511	Screw-Shoulder	670	★493823	Spacer
188	94644	Screw-Hex.	333	802574	Armature-Magneto	670A	280512	Spacer-Fuel Tank
188A	398540	Screw-Shoulder	334	94731	Screw-Hex.	843	272616	Sleeve-Lever
202	262579	Link-Mechanical Gov.	356	497833	Wire-Stop	930	497233	Cover-Blower Housing
209	692488	Spring-Governor	601	95162	Clamp-Hose (Green)	972	495224	Tank-Fuel

★ Included in Gasket Set-Part Number 497316.
● Included in Carburetor Kit-Part Number 498260.

◆ Included in Carburetor Gasket Set-Part Number 498261.
⊘ Included in Valve Overhaul Gasket Set-Part No. 498528.

Assemblies include all parts shown in frames.

**CRAFTSMAN 1800 PSI HIGH PRESSURE WASHER 580.761800
BRIGGS & STRATTON 4-CYCLE ENGINE 12F802-2407-E1**



1036 LABEL KIT-EMISSION

REF. NO.	PART NO.	DESCRIPTION	REF. NO.	PART NO.	DESCRIPTION	REF. NO.	PART NO.	DESCRIPTION
23	492893	Flywheel	332	92284	Nut-Flywheel	968	281340	Cover-Air Cleaner
37	224511	Guard-Flywheel	346	94602	Screw-Hex.	969	94872	Screw-Slotted Hex.
81	223664	Lock-Muffler Screw	455	225121	Cup-Flywheel	971	94873	Screw-Hex.
161	496116	Base-Air Cleaner	529	281299	Grommet	971A	94749	Screw-Hex.
163	272653	Gasket-Air Cleaner	613	94231	Screw-Shoulder	974	224815	Bracket-Support
300	496106	Muffler-Exhaust	832	494224	Guard-Muffler	976	496115	Primer-Carburetor
304	493294	Housing-Blower	967	491588	Filter-Air	1036	499341	Label Kit-Emission
305	94744	Screw-Hex.						

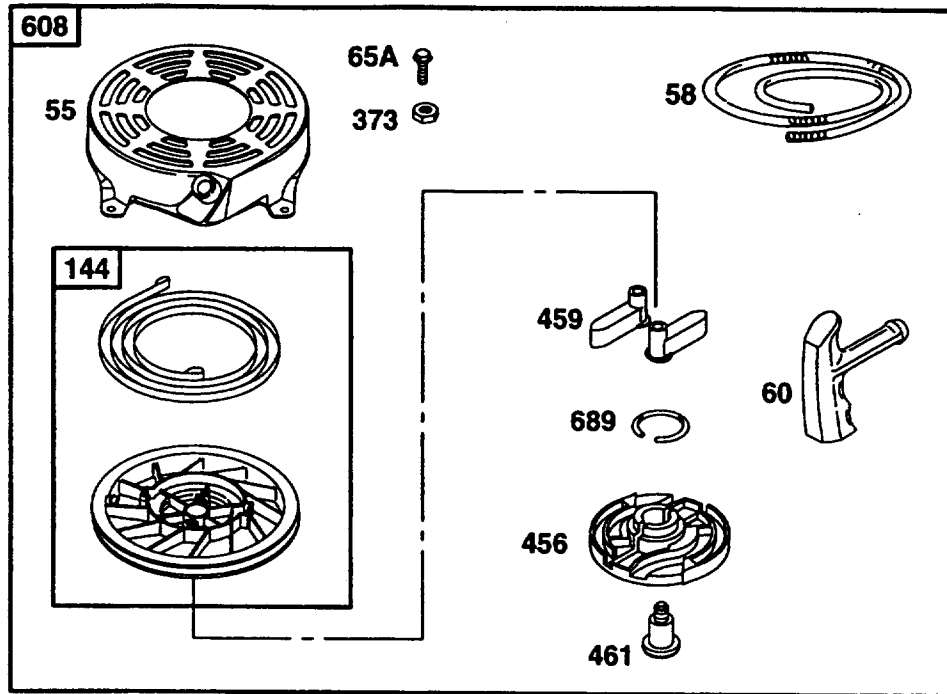
* Included in Gasket Set-Part Number 497316.
 • Included in Carburetor Kit-Part Number 498260.

◆ Included in Carburetor Gasket Set-Part Number 498261.
 Ø Included in Valve Overhaul Gasket Set-Part No. 498528.

Assemblies include all parts shown in frames.



CRAFTSMAN 1800 PSI HIGH PRESSURE WASHER 580.761800
BRIGGS & STRATTON 4-CYCLE ENGINE 12F802-2407-E1



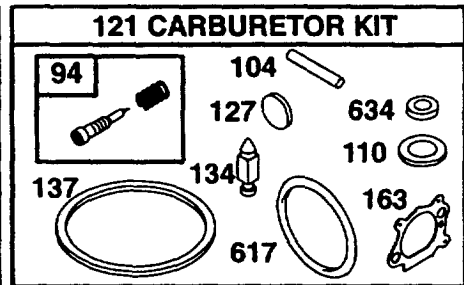
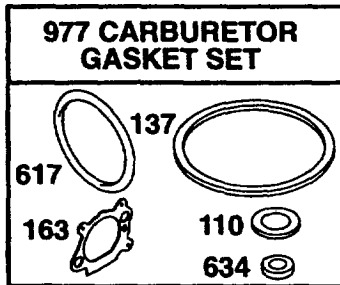
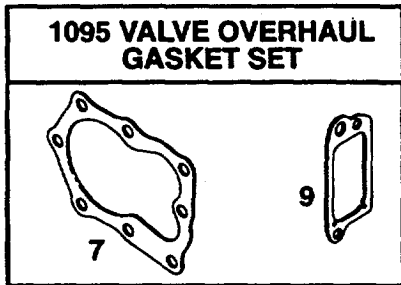
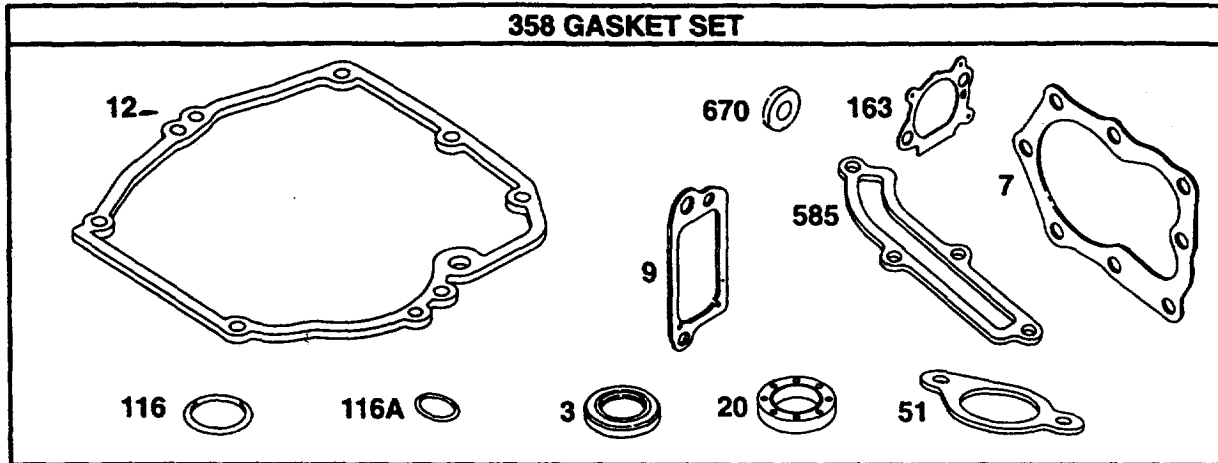
REF. NO.	PART NO.	DESCRIPTION	REF. NO.	PART NO.	DESCRIPTION	REF. NO.	PART NO.	DESCRIPTION
55	497440	Housing-Rewind Starter	60	281434	Grip-Starter Rope	459	281505	Pawl-Ratchet
58	280399	Rope-Starter (Cut To Required Length)	65A	94686	Screw-Hex.	461	94943	Screw-Shoulder
			144	498144	Pulley-Rope Start	608	497680	Starter-Rewind
			373	92987	Nut-Hex.	689	263073	Spring-Friction
			456	281503	Retainer-Spring			

★ Included in Gasket Set-Part Number 497316.
 ● Included in Carburetor Kit-Part Number 498260.

◆ Included in Carburetor Gasket Set-Part Number 498261.
 ◊ Included in Valve Overhaul Gasket Set-Part No. 498528.

Assemblies include all parts shown in frames.

CRAFTSMAN 1800 PSI HIGH PRESSURE WASHER 580.761800
BRIGGS & STRATTON 4-CYCLE ENGINE 12F802-2407-E1



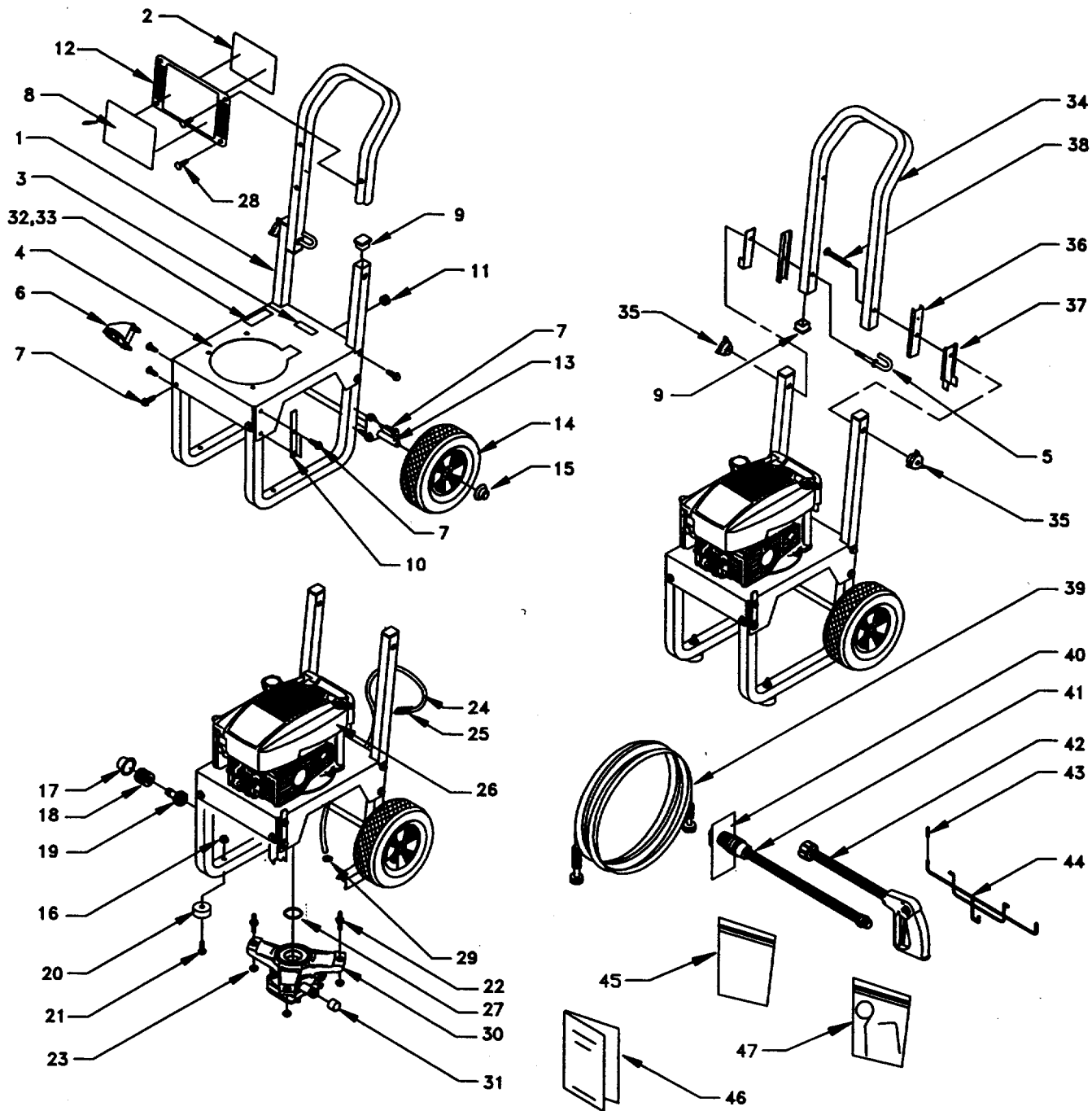
REF. NO.	PART NO.	DESCRIPTION	REF. NO.	PART NO.	DESCRIPTION	REF. NO.	PART NO.	DESCRIPTION
3	★299819	Seal—Oil	121	498260	Carburetor Kit	617	◆270344	Seal—Intake Manifold
7	⊗272916	Gasket—Cylinder Head	127	•	Plug—Welch (Sold in Kit Only)	634	◆◆	Washer—Shaft (Sold in Kit Only)
9	⊗272481	Gasket—Breather	134	◆398188	Valve—Needle (Includes Seat)	670	★493823	Spacer (Includes 2)
12	★272198	Gasket—Crankcase	137	◆◆	Gasket—Bowl (Sold in Kit Only)	977	498261	Gasket Set— Carburetor
20	★399781	Seal—Oil	163	◆◆272653	Gasket—Air Cleaner	1095	498528	Gasket Set—Valve Overhaul
51	★272199	Gasket—Intake	358	◆497316	Gasket Set			
94	◆493765	Valve—Idle Adjustment	585	★272238	Gasket—Breather Passage			
104	◆231371	Pin—Float Hinge						
110	◆◆	Washer—Bowl (Sold in Kit Only)						
116	★280393	Seal—O—Ring						
116A	★280966	Seal—O—Ring						

★ Included in Gasket Set—Part Number 497316.
 ● Included in Carburetor Kit—Part Number 498260.

◆ Included in Carburetor Gasket Set—Part Number 498261.
 ⊗ Included in Valve Overhaul Gasket Set—Part No. 498528.

Assemblies include all parts shown in frames.

CRAFTSMAN 1800 PSI HIGH PRESSURE WASHER 580.761800

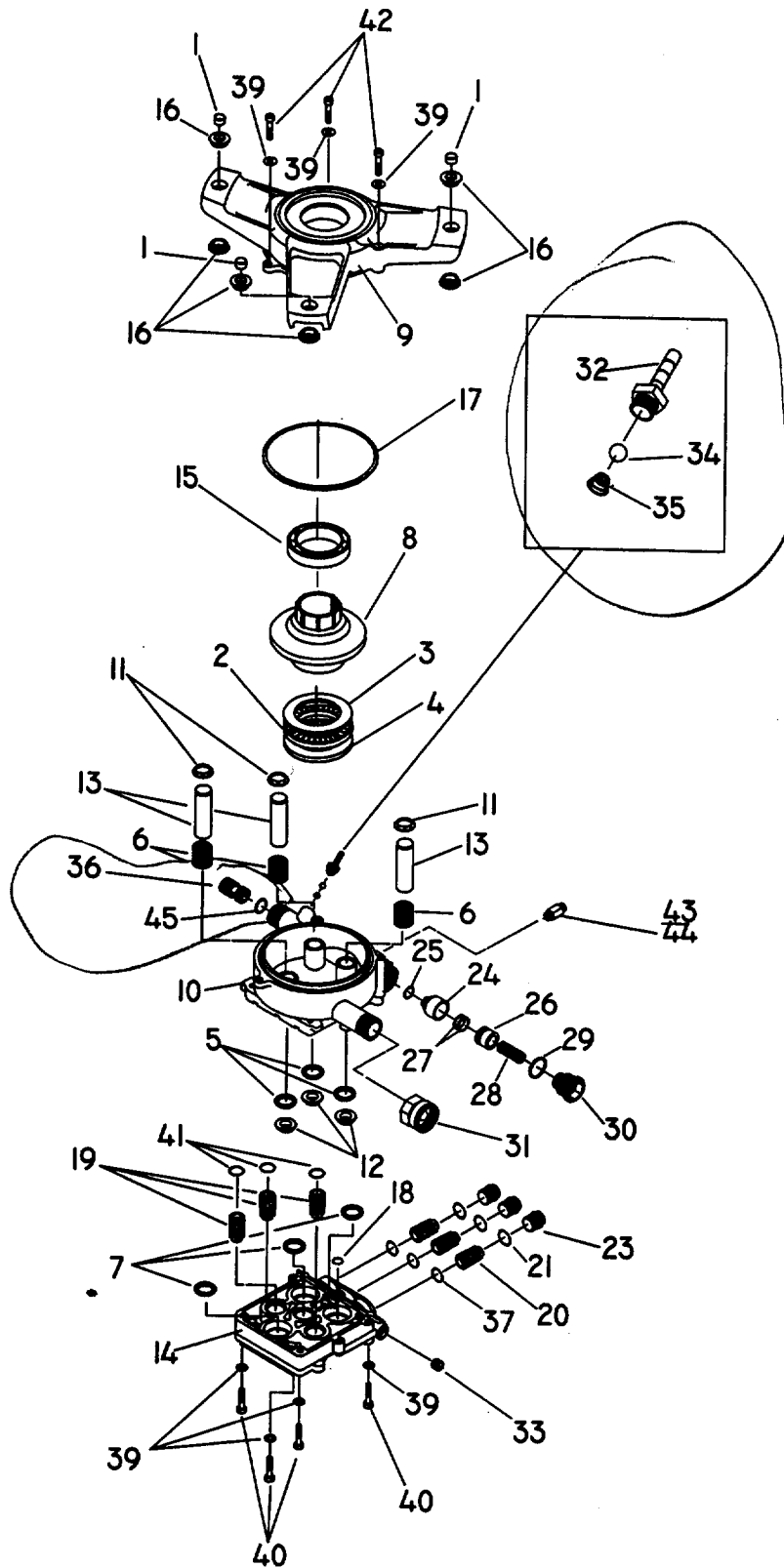


CRAFTSMAN 1800 PSI HIGH PRESSURE WASHER 580.761800

ITEM	PART NO.	DESCRIPTION.	QTY.
1	21416D	LEG, VS PW	2
2	B2200	DECAL, Instructions	1
3	96307	DECAL, 1-800 Number	1
4	B1793D	BASE, VSPW	1
5	97998	BOLT, Eye	1
6	97769	CUP, Gun	1
7	20441	SCREW, 1/4" - 14 Self Driller	16
8	B1819	DECAL, Logo 1800 PSI	1
9	81895	CAP, Tubing 3/4"square	4
10	B1024D	GUARD, Hose	1
11	30809	GROMMET, Chem Hose	1
12	B1786	BILLBOARD	1
13	97741	ASSY, PW Axle	1
14	21206	TIRE, 2" X 8" Black Mag	2
15	75402	PUSHNUT, 1/2"	2
16	52858	NUT, M8 Locking Flange	2
17	A1408	CAP, Quick Disconnct	1
18	21782	QUICK DISCONNECT, Female	1
19	21781	QUICK DISCONNECT, Male	1
20	87841	MOUNT, Rubber Foot	2
21	39414	HHCS, M8 X 1.25 X 35 Long	2
22	B1735	STUD, Double Ended	3
23	B1880	NUT, with Washer	3
24	A1040B	HOSE, Chemical	1
25	A1041	FILTER, Chemical Hose	1
26	B1820	ENGINE, B & S 4.5 HP Quantum	1
27	98300	SEAL, Engine Donut	1
28	B1797	FASTENER, Clip	4
29	48031G	CLAMP, Hose 3/16"	1
30	B1262A	<u>ASSY, Pump EG w/ Thermal</u>	<u>1</u>
31	97100	CAP, High Pressure	1
32	91373	DECAL, Data	1
33	79552	OVERLAMINATE, Decal	1
34	B2157D	HANDLE, VS PW	1
35	97178	KNOB, PW Handle	2
36	99368	PLATE, S.S. Wear	2
37	97082	CLIP, Holding Handle	2
38	97912	BOLT, 1/4"-20 X 2.25" Carriage	1
39	B1969	HOSE, 1/4" X 25'	1
40	97566	HANG TAG, Nozzle	1
41	98317B	WAND, Adjustable Nozzle	1
42	98541	GUN, High Pressure	1
43	B1459	CAP, Vinyl Black	2
44	21208	WIREFORM	1
45	B2382	KIT, Maintenance O-Ring	1
46	B1818	MANUAL	1
47	97009	KIT, Cleaning Nozzle	1



CRAFTSMAN 1800 PSI HIGH PRESSURE WASHER 580.761800



***PARA LISTE DE PARTES
VEA PAGINA 27
VERSION DE INGLES***

Sears se complace en ofrecer a sus clientes servicio de reparación de aparatos electro-domésticos y electrónicos de todas las marcas.

En Sears, usted puede contar con operadores en español, a los que puede llamar sin cargo alguno.

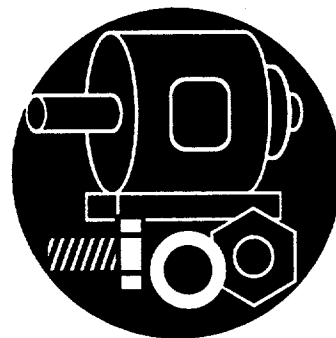
**Para pedir servicio de reparación
a domicilio,
Llame 24 horas al día., 7 días a la semana**

1-800-676-5811



**Para ordenar piezas con entrega
a domicilio,
Llame de 7 am a 7 pm, 7 días a la semana**

1-800-659-7084



SEARS
REPAIR SERVICES
America's Repair Specialists