

BLANCO



Performance First

Instructions for the Use and Care and Installation of

BRC90BX
BRCG90BX
BWCG90X
BWGG90X
BWC90X
BWC9X
BWC6X
BWCS120X

Rangehood

Dear Customer

You will find that the modern look of your **Blanco** rangehood blends in perfectly with your kitchen décor. It is easy to use and performs to a high standard.

Blanco also makes a range of products that will enhance your kitchen – such as cooktops, ovens, dishwashers, microwaves, sinks and taps. There are models to complement your new Blanco rangehood. Blanco now has a range of laundry products to choose from.

Of course, we make every effort to ensure that our products meet all your requirements, and our Customer Service Department is at your disposal, to answer your questions and to listen to your suggestions.

Please complete the warranty section of this manual and keep your receipt as proof of purchase. Retain all documents relating to the purchase of Blanco product.

Blanco is committed to providing increasingly efficient products that are easy to use, respect the environment and are attractive and reliable.

BLANCO

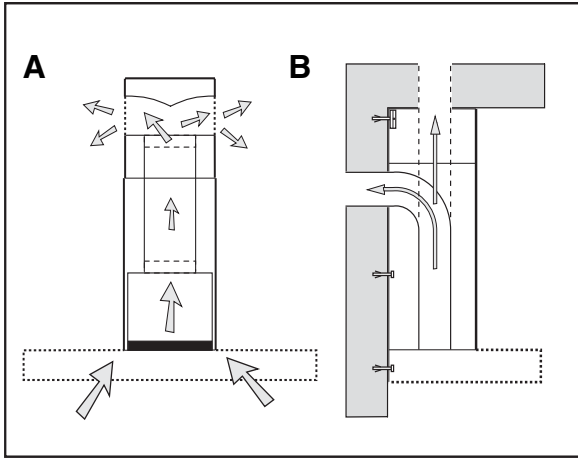


Fig.1

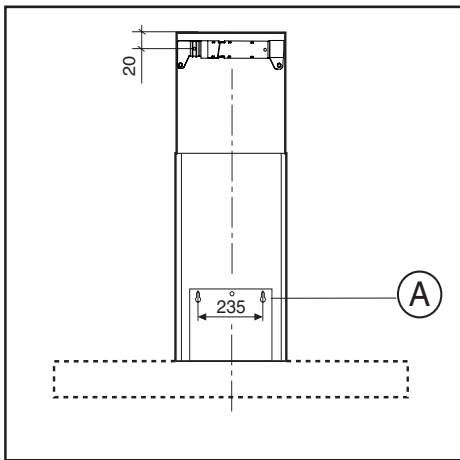
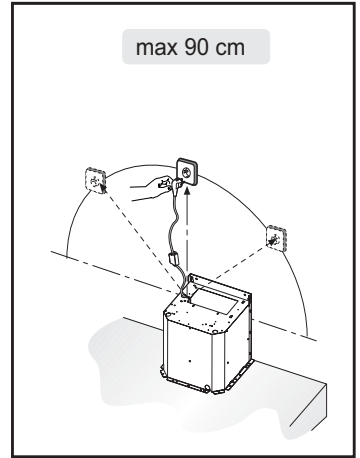


Fig.3

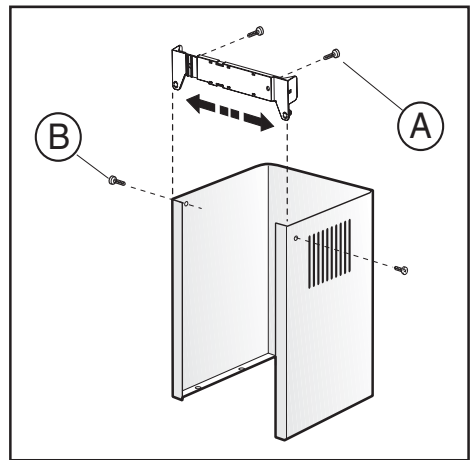


Fig.4

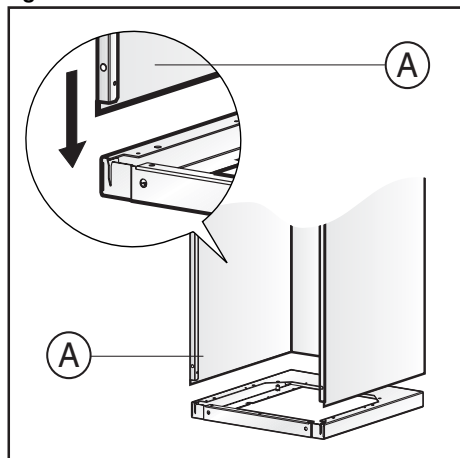


Fig.5

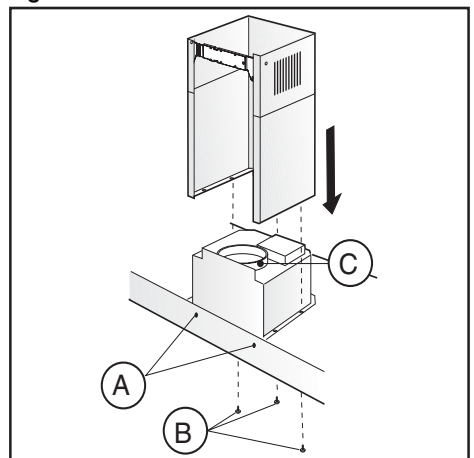


Fig.6

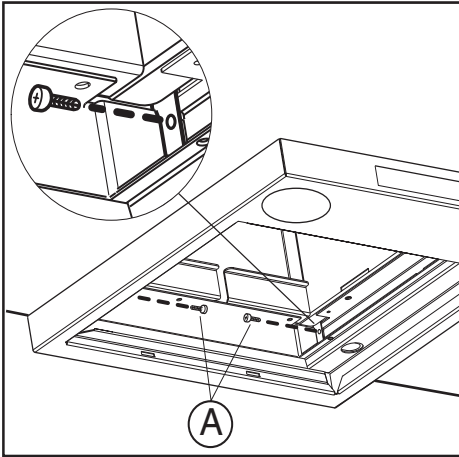


Fig.6

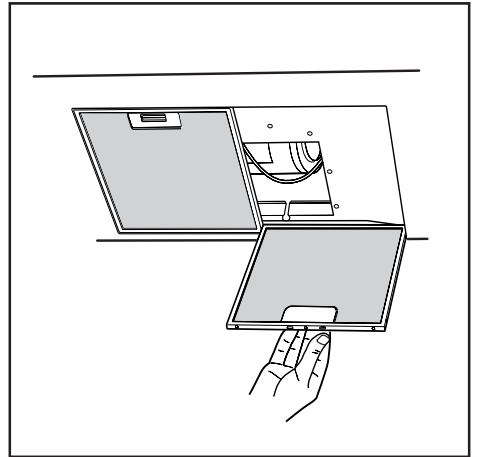


Fig.7

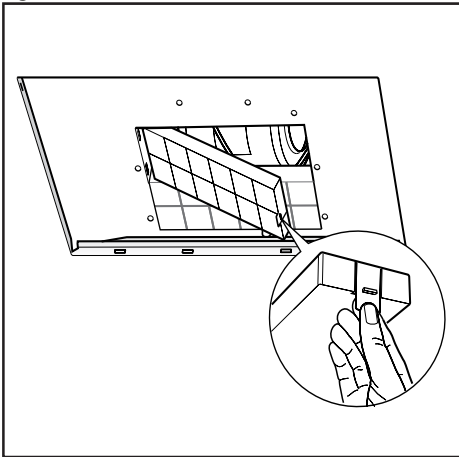


Fig.8

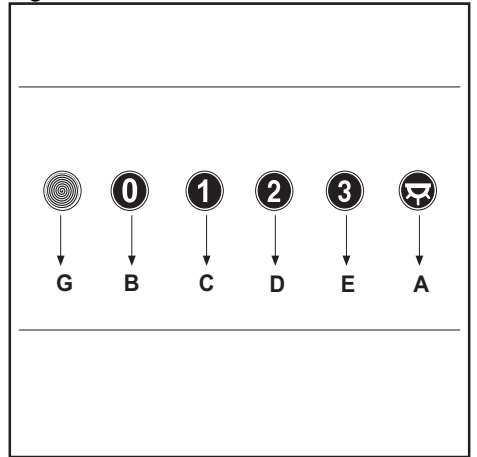


Fig.9

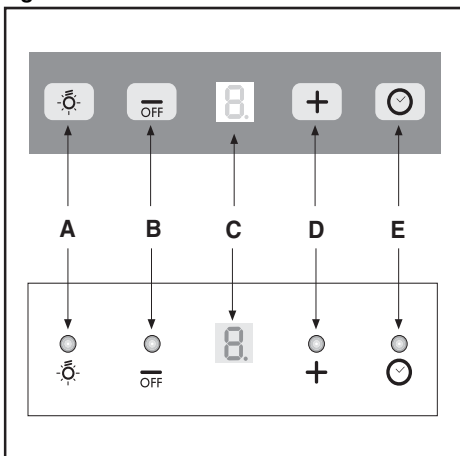


Fig.10

GENERAL

These warnings are provided in the interest of safety. Carefully read the following important information regarding installation safety and maintenance. You **MUST** read them carefully before installing or using the appliance.

It is most important that this instruction book be retained with the appliance for future reference. Should the appliance be sold or transferred, always ensure that the book is left with the appliance in order that the new owner can get to know the function of the appliance and the relevant warnings.

The appliance has been designed for use in the ducted version (Fig.1B) and recirculated version (Fig.1A).

SAFETY PRECAUTION

1. Take care when the rangehood is operating in the same room as an open fireplace or burner that requires air in the environment and uses an energy source other than electrical energy – this because the rangehood removes air from the environment which a burner or fireplace may need for combustion. The negative pressure in the environment must not exceed 4Pa (4x10⁻⁵ bar).
2. Provide adequate ventilation in the environment for a safe operation of the rangehood.
3. Follow the local laws applicable for external air evacuation.
4. If the supply cord is damaged, it must be replaced by the manufacturer or its service agent or a similarly qualified person in order to avoid a hazard.

WARNING !

In certain circumstances electrical appliances may be a danger hazard.


- A) This appliance is not intended for use by young children or infirm persons without supervision.
- B) Young children should be supervised to ensure they do not play with the appliance.
- C) Do not check or remove the filters when the rangehood is operating.
- D) Flambé cooking is prohibited underneath the rangehood.
- E) Constantly check food frying to avoid that the overheated oil may become a fire hazard.
- F) Disconnect the electrical plug prior to any maintenance.
- G) Do not touch lighting or adjacent areas when lighting is on - and for a period of time after using the light.
- H) Avoid leaving cooktop on (gas and electric) without the saucepan covering the burner or cooking zone. This is because heat transferring upwards to the rangehood will be damaging to the filters and a fire hazard.
- I) Ensure adequate ventilation of the room where the rangehood is used at the same time as appliances burning gas or other fuels. Exercise care when a rangehood is installed in an area where a gas burner is operating. Depending on the size of the room, the rangehood may draw from the room air that is necessary for proper combustion of the burner.
- J) Ensure the rangehood is cleaned frequently.
- L) There is a risk of fire if cleaning is not carried out in accordance with the instructions.
- M) For any repairs always contact an authorised Technical Customer Service Centre and ask for original spare parts. Repairs by untrained people may lead to damage and void warranty.

Warnings for Installation:

- a) The exhaust air must not be discharged into a flue which is used for exhausting fumes from appliances burning gas or other fuels.
- b) The minimum distance from the cooktop surface and the lowest part of the range hood must not be less than 65cm. If the instructions for the cooktop specify a greater distance, please consider this.
- c) The regulations concerning the discharge of exhaust air have to be fulfilled.
- d) All Blanco rangehoods are used for indoor application/installation only.

Other Information:

This appliance conforms to the European Directive EC/2002/96, Waste Electrical and Electronic Equipment (WEEE). By making sure that this appliance is disposed of in a suitable manner, the user is helping to prevent potential damage to the environment or to public health.

The  symbol on the product or on the packaging label on the carton indicates that the appliance should not be treated as domestic waste, but should be delivered to a suitable electric and electronic appliance recycling collection point. Follow local guidelines when disposing of waste. For more information on the

treatment, re-use and recycling of this product, please contact your local authority or domestic waste collection service.

INSTALLATION INSTRUCTIONS

Electric Connection

The appliance has been manufactured as a class II, therefore no earth cable is necessary. The connection to the mains is carried out as follows:

BROWN = **L** line

BLUE = **N** neutral

If not provided, connect a plug for the electrical load indicated on the description label. Where a plug is provided, the range hood must be installed in order that the plug is easily accessible.

An omnipolar switch with a minimum opening of 3mm between contacts, in line with the electrical load and local standards, must be placed between the appliance and the network in the case of direct connection to the electrical network.

- The minimum distance between the support surfaces of the cooking pots on the cook top and the lowest part of the range hood must be at least 65 cm. If a connection tube composed of two parts is used, the upper part must be placed outside the lower part. Do not connect the range hood exhaust to the same conductor used to circulate hot air or for evacuating fumes from other appliances generated by other than an electrical source. Before proceeding with the assembly operations, remove the anti-grease filter(s) (Fig.7) so that the unit is easier to handle.

In the case of assembly of the appliance in the suction version prepare the hole for evacuation of the air.

- We recommend the use of an air exhaust pipe with a diameter of 150. If a pipe with a smaller diameter is used, the efficiency of the product may be reduced and its operation may become noisier.

• FIXING TO THE WALL

Drill the holes **A** as per the distances indicated (Fig.2). Fix the appliance to the wall and align it in horizontal position to the wall units. When the appliance has been adjusted, definitely fix the hood using the screws **A** (Fig.5).

For the various installations use screws and screw anchors suited to the type of wall (e.g. reinforced concrete, plasterboard, etc.). If the screws and screw anchors are provided with the product, check that they are suitable for the type of wall on which the hood is to be fixed.

• FIXING THE DECORATIVE TELESCOPIC FLUE

Arrange the electrical power supply within the dimensions of the decorative flue. If your appliance is to be installed in the ducting version or in the version with external motor, prepare the air exhaust opening. Adjust the width of the support bracket of the upper flue (Fig.3). Then fix it to the ceiling using the screws **A** (Fig.3) in such a way that it is in line with your hood and respecting the distance from the ceiling indicated in Fig.2. Connect the flange **C** to the air exhaust hole using a connection pipe (Fig.5). Insert the upper flue into the lower flue. Fix the lower flue to the hood using the screws **B** provided (Fig.5), extract the upper flue up to the bracket and fix it with the screws **B** (Fig.3).

If your appliance has the lower connections indicated as in Fig. 4 A, the fixing to be carried out is that shown in Fig. 6.

• RECIRCULATING FILTERING VERSION

Install the hood and the two flues as described for installation of the hood in ducting version. To assemble the filtering flue refer to the instructions contained in the kit provided. Charcoal filters can be fitted in the ducting unit located inside the hood (Fig.8). Filter can be purchased as an accessory, part number ACK62260.

Additional Installation Notes.

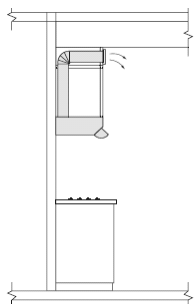
Rangehoods may be ducted in two ways:

1. Ducted to the atmosphere (outside).
2. Recirculating.

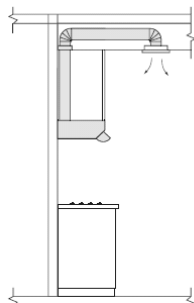
We recommend ducting to the atmosphere to ensure optimum performance. Recirculating the air back into the room should only be used when outside extraction is not possible. To ensure maximum performance when ducting it is important the ducting that carries the fumes away, be as short and as straight as possible.

When incorporating a rangehood in the design of a kitchen the following points need to be considered to achieve the most benefit from the rangehood.

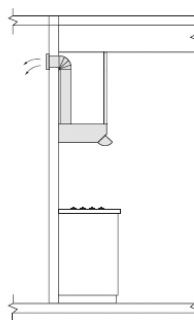
1. Ducting from a rangehood carrying the exhaust air, should not exceed a length of three (3) metres.
2. For ducted installation we recommend using galvanised or similar metal type flue pipe. PVC pipe is not recommended.
3. Ducting containing a 90° degree bend will encounter a loss in efficiency of approximately 35%. Additional 90° degree bends can cause losses of up to 15% per bend.
4. Ducting size should always comply with the manufacturers specification.
5. We recommend carbon filters be used when re-circulating the air into the room. There will be some loss of air movement when carbon filters are fitted.



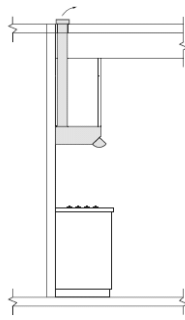
Recirculated to kitchen area via bulkhead



Recirculated to kitchen area via ceiling cavity



Ducted to atmosphere through wall



Ducted to atmosphere through roof

USE AND MAINTENANCE

- It is recommended to operate the appliance prior to cooking.
It is recommended to leave the appliance in operation for 15 minutes after cooking is terminated in order to minimise cooking vapours and odours.
The proper function of the cooker hood is conditioned by the regularity of the maintenance operations, in particular, the active carbon filter.
- The aluminium grease filters capture the grease particles suspended in the air. The filters are therefore subject to clogging according to the frequency of the use of the appliance.
In order to prevent a fire hazard, it is recommended to clean the filters every 2 months by carrying out the following instructions:
 - Remove the aluminium filters from the range hood and wash them in a solution of water and neutral liquid detergent, leave to soak.
 - Rinse thoroughly with warm water and leave to dry.
 - The filters may also be washed in the dishwasher.The aluminium filters may alter in colour after several washes. This is not cause for customer complaint nor replacement of panels.

- Clean the fan and other surfaces of the range hood regularly using a cloth moistened with mentholated spirits or non abrasive liquid detergent.
- The active carbon help to filters purify the air that is replaced in the environment. The filters are not washable or reusable and must be replaced at a maximum every four months. The saturation of the active carbon filter depends on the frequency of use of the appliance , by the type of cooking and the regularity of the cleaning of the aluminum filters.
- The lights are designed to be used during cooking – not for prolonged general illumination of the environment. Prolonged use of the lights will reduce the duration of the bulb.

LIGHT REPLACEMENT - INCANDESCENT.

- Remove the aluminium filters from the range hood.
- Un-screw the globe.
- Replace the globe.
- Re-install the aluminium filters.

Globe: Tubular E14 40Watts 240volts

• LIGHT REPLACEMENT - HALOGEN

12 volt 20 W Halogen.

Remove the glass retaining ring and glass.

Replace the globe with another of the same type.

Replace the glass and retaining ring.

Controls: (Fig.9 B) Symbols are explained below for all models except BWCG90X:

A = LIGHT

B = OFF

C = SPEED I

D = SPEED II

E = SPEED III

G = MOTOR WORKING indicator.

Controls: (Fig.10) only for BWCG90X

Push-button A = on/off lights switch

Push-button B = on/off rangehood switch. The appliance switches on at speed level 1, If the rangehood is on depress the push-button for 2 sec. to switch off the rangehood . If the cooker hood is at speed level 1 it will not be necessary to depress the push-button to switch the rangehood off. Decreases the motor speed.

Display C = indicates the motor speed level selected and activates the timer.

Push-button D = switches on the rangehood . Increases the motor speed. Touching the key at 3rd speed, the intensive function runs for 10', then the appliance go back to work at the original speed. During this function the display blinks.

Key E = The Timer times the functions on activation for 15 minutes, after which they are switched off. The Timer is deactivated by re-pressing **Key E**. When the Timer is activated the decimal point must flash on the display. The Timer cannot be activated if the intensive speed is functioning.

The “**clean air**” function is activated by pressing key **E** for 2 seconds when the appliance is switched off. This switches the motor on for 10 minutes every hour at the first speed. During functioning a rotary movement of the peripheral segments must be visualised on the display. When this time has passed the motor switches off and the fixed letter “**C**” must be visualised on the display until the motor re-starts after 50 minutes for another 10 minutes and so on. Press any key apart from the light keys to return to normal functioning. Press key **E** to deactivate the function.

• Active carbon/grease filter saturation:

- When display item **C** flashes, at a speed where it alternates with the letter **F** (e.g. 1 and **F**), the **grease** filters must be washed.

- When display item **C** flashes, at a speed where it alternates with the letter **A** (e.g. 1 and **A**), the **carbon** filters must be replaced.

After the clean filter has been positioned correctly, the electronic memory must be reset by pressing button **A** for approximately **5 seconds**, until the indication **F** or **A** shown on the display **C** stops flashing.

THE MANUFACTURER DECLINES ALL RESPONSIBILITY FOR EVENTUAL DAMAGES CAUSED BY BREACHING THE ABOVE WARNINGS.

Blanco Contact Information.

NEW SOUTH WALES

Head Office, Sales & Marketing Office

104 Vanessa Street
Kingsgrove NSW 2208
Telephone: 02 9503 2888
Facsimile: 02 9503 2810

NSW Showroom*

40 Ebley Street
Bondi Junction NSW 2022
Telephone: 02 9386 1190
Facsimile: 02 9386 1671

Service and Spare Parts

All General Whitegoods Service
Telephone: 02 8788 8666
Facsimile: 02 9756 1091

AUSTRALIAN CAPITAL TERRITORY

Service and Spare Parts
Detlevs Appliance & Electrical Care
1/88 Sheppard Street
Hume
ACT 2905
Telephone: 02 6280 1033
Facsimile: 02 6260 1035

VICTORIA

State Office and Showroom*
35 Centre Road
Scoresby VIC 3179
Telephone: 03 8756 7888
Facsimile: 03 8756 7907

Service and Spare Parts
Advantage Appliances
Telephone: 03 9874 4222
Facsimile: 03 9874 6917

QUEENSLAND

State Office and Showroom*
148 Robinson Road - East
Geebung
QLD 4034
Telephone: 07 3259 2555
Facsimile: 07 3265 6933

Service and Spare Parts
Endeavour Appliances
Telephone: 07 3872 7444
Facsimile: 07 3852 2465

Platinum Appliance Service
Telephone: 07 3862 1154
Facsimile: 07 3862 1114

Roshad (Gold Coast)
Telephone 07 5535 7044
Facsimile 07 5535 7407

SOUTH AUSTRALIA & NORTHERN TERRITORY

Agent and Sales Office
S C Lighting & Electrical Supplies
47 North Terrace
Hackney SA 5069
Telephone: 08 8362 4599
Facsimile: 08 8362 4591

Service and Spare Parts
Prestige Appliance Repair Centre
Telephone: 08 8352 2022
Facsimile: 08 8352 3044

WESTERN AUSTRALIA

1 Alvan Street
SUBIACO WA 6008
Telephone: 08 9382 1611
Facsimile: 08 9382 1622

Service and Spare Parts
Metropolitan Appliance Repairs
Telephone: 08 9330 1724
Facsimile: 08 9317 1296

TASMANIA

Agent and Sales Office
Mark Pearce Agencies
23 Tranmere Road
Howrah TAS 7018
Tel/Fax: 03 6247 9215

Service and Spare Parts
Electrical Equipment Service (Launceston)
Telephone: 03 6339 3873
Facsimile: 03 6339 4588

Baldocks Appliance Service (Hobart)

Telephone: 03 6234 5995
Facsimile: 03 6234 8134

BLANCO CUSTOMER SERVICE 1300 739 033

Website: www.meaappliances.com.au

* Showrooms open six days a week

BLANCO

■ Performance First

BLANCO COOKING PRODUCT WARRANTY

1. Subject to the “Statement of Standard Warranty Conditions” this product is covered by the following Warranty.

TWO (2) YEARS WARRANTY from date of purchase, covering all parts and labour.

2. The appliance is warranted under normal single family domestic installation and use, as set out in the instruction manual, against manufacturing defects for the Warranty periods shown above.

3. Should service be required under this Warranty, the purchaser should contact an approved BLANCO Service Provider during their normal business hours.

4. At no time does BLANCO/MEA have liability for any freight or transportation costs or for any damage during transit or for any consequence of failure of this appliance outside of the normal service area, unless such limitation of liability is prohibited by statute.

5. This Warranty excludes replacement of parts required due to normal wear and tear including light globes.

6. This Warranty only applies, provided the appliance has been used in accordance with the manufacturer’s instructions and provided an accident, misuse, neglect or abuse has not damaged the appliance.

7. None of the above Warranties purport to exclude, restrict or modify either the application or the exercise of a right conferred by any applicable Statute.

8. Please complete the details below, which should be retained for future reference along with your proof of purchase:

Date of Purchase:

Model No:

Serial No:

BLANCO

■ Performance First

STATEMENT OF STANDARD WARRANTY CONDITIONS

1. The Warranty only applies provided that the appliance has been used in accordance with the manufacturer’s instructions and provided that the appliance has not been damaged by an accident, misuse, neglect or abuse of any person other than the manufacturer or BLANCO/Major Electrical Appliances (“MEA”) or from faulty installation, mis-adjustment or tampering by unauthorised persons.

2. When a service inspection reveals the alleged fault or faults are caused by incorrect operation, contrary to the instruction manual, and otherwise the appliance is in good order and working condition, the purchaser shall be liable for a service fee charged by BLANCO/MEA or one of its’ Service Providers.

3. If the appliance is used in Commercial Applications or for Rental purposes, a separate warranty of Twelve (12) months covering all parts with Three (3) months on the labour will apply.

4. Subject to the provisions of any applicable statute this Warranty applies to the original retail purchaser only and is not transferable.

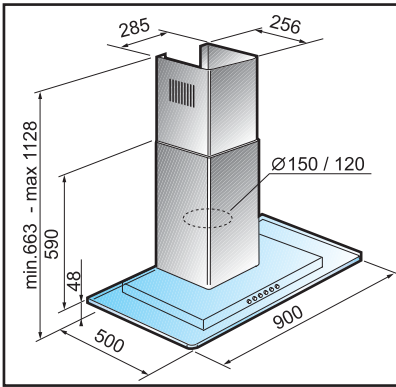
5. Subject to the provisions of any applicable statute, at no time does BLANCO/MEA have liability for freight, transport or travel costs outside normal service areas.

6. None of the above Warranties purport to exclude, restrict or modify either the application or the exercise of a right conferred by any applicable statute.

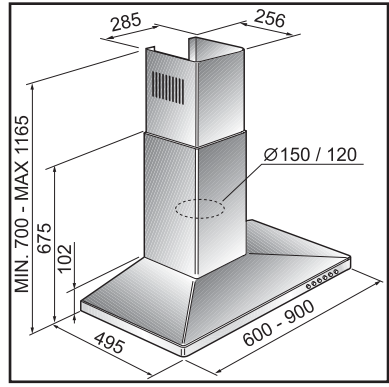
7. Subject to any Warranties implied by statute, at no time will BLANCO/MEA or its’ Service Providers be liable for any economic loss consequent upon the failure of the appliance.

8. This Warranty is only valid for major appliances imported and distributed by BLANCO/MEA, purchased and used in Australia.

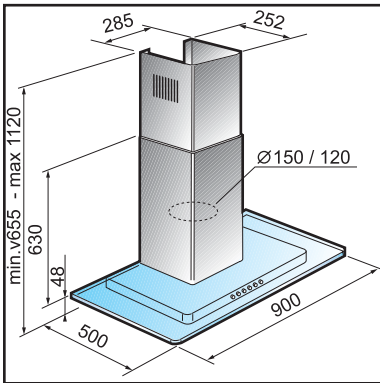




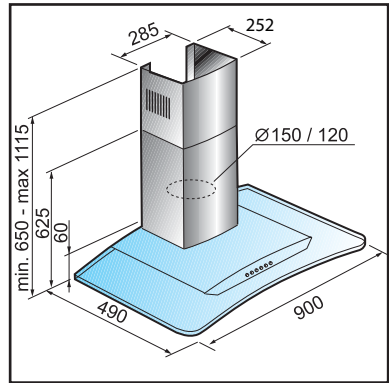
BRCG90BX



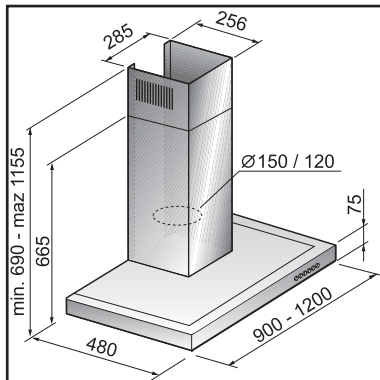
BRC90BX - BWC9X - BWC6X



BWCG90X



BWGG90X



BWC90X - BWCS120X



133
Cassette Player
Model: [illegible]
Serial: [illegible]
Date: [illegible]

[Diagram of a cassette tape compartment with labels for 'EJECT', 'REVERSE', and 'STOP']

