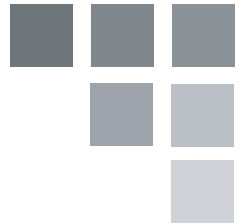




- OWNER'S USE AND CARE GUIDE
- GUIDE D'UTILISATION ET D'ENTRETIEN

PORTABLE AIR CONDITIONER
CLIMATISEUR PORTATIF

MODEL • MODÈLE DPA085B1GB





TO OBTAIN WARRANTY SERVICE YOU MUST PROVIDE A VALID PROOF OF PURCHASE. PLEASE STAPLE YOUR RECEIPT TO THIS PAGE FOR FUTURE REFERENCE.

POUR OBTENIR LE SERVICE SUR GARANTIE VOUS DEVEZ FOURNIR UNE PREUVE D'ACHAT VALIDE. VEUILLEZ AGRAFER VOTRE REÇU À CETTE PAGE POUR RÉFÉRENCE FUTURE.

IMPORTANT - GROUNDING METHOD

This product is factory equipped with a power supply cord that has a three-pronged grounded plug. It must be plugged into a mating grounding type receptacle in accordance with the National Electrical Code and applicable local codes and ordinances. If the circuit does not have a grounding type receptacle, it is the responsibility and obligation of the customer to exchange the existing receptacle in accordance with the National Electrical Code and applicable local codes and ordinances. The third ground prong should not, under any circumstances, be cut or removed. Never use the cord, the plug or the appliance when they show any sign of damage. Do not use your appliance with an extension cord unless it has been checked and tested by a qualified electrician or electrical supplier.

IMPORTANT - MÉTHODE POUR LA MISE À LA TERRE

Ce produit arrive d'origine avec un cordon d'alimentation équipé d'une prise à trois fiches. Il doit être branché dans une prise avec une fiche de mise à la terre en conformité avec le Code national de l'électricité et les codes et règles locaux applicables. Si la prise murale n'a pas de mise à la terre, il est de la responsabilité et l'obligation du client de changer la prise existante pour la rendre conforme au Code national de l'électricité et aux codes et règles locaux applicables. La fiche de mise à la terre ne doit pas, en aucune circonstance, être coupée ou retirée. Si vous apercevez des signes de dommage, n'utilisez jamais le cordon d'alimentation, la prise ou l'appareil. N'utilisez jamais l'appareil avec une rallonge sauf si elle a été vérifiée et testée par un électricien qualifié ou un fournisseur de matériel électrique.

Contents

Table de matières

PORTABLE AIR CONDITIONER

Owner's Use and Care Guide

• Welcome	2
• Safety Instructions	3-4
• Identifying Parts	4-6
• Features	6-7
• Operating Instructions	8-9
• Installation Instructions	10-14
• Care and maintenance	15
• Troubleshooting	16
• Warranty	17

CLIMATISEUR PORTATIF

Guide d'utiliser et soin de propriétaire

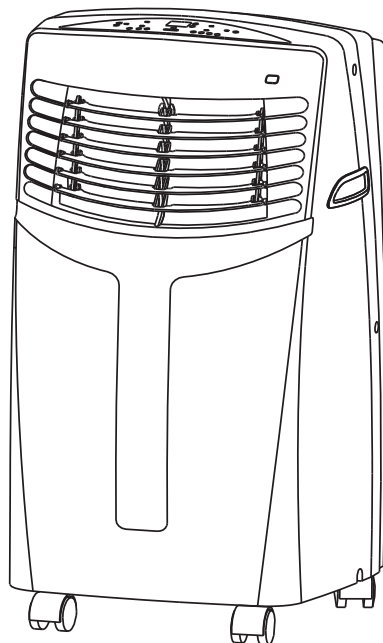
• Bienvenue	18
• Consignes de sécurité importantes	19-20
• L'identification des pièces	21-22
• Caractéristiques	23
• Consignes d'utilisation	24-25
• Instructions d'installation	26-30
• Soins et entretien	31
• Dépannage	32
• Garantie	33

CAUTION:

Read and follow all safety rules and operating instructions before first use of this product.

PRECAUTION:

Veillez lire attentivement les consignes de sécurité et les instructions d'utilisation avant l'utilisation initiale de ce produit.



Model • Modèle
DPA085B1GB

Welcome

Welcome to the Danby family. We are proud of our quality products, and we believe in dependable service, like you will find in this Owner's Use and Care Guide, and like you will receive from our friendly customer service department. Best of all, you will experience these values each and every time you use your Danby appliance. That is important, because your new appliance will be a part of your family for a long time.

**Note the information below; you will need this information to obtain service under warranty.
To receive service, you must provide the original receipt.**

Model No: _____

Serial No: _____

Date Purchased: _____

NEED HELP?

Before you call for service, here are a few things you can do to help us serve you better:

Read this Owner's Use and Care Guide:

It contains instructions to help you use and maintain your appliance properly.

If you received a damaged appliance:

Immediately contact the retailer (or builder) that sold you the appliance.

Save time and money:

Check the Troubleshooting section at the end of the guide before calling. This section helps you solve common problems that may occur.

If you do need service, you can relax, knowing help is only a phone call away.



WARNING

Improper connection of the grounding plug can result in risk of fire, electric shock and/or injury to persons associated with the appliance. Check with a qualified service representative if in doubt that the appliance is properly grounded.



Important Safety Information

READ AND FOLLOW ALL SAFETY INSTRUCTIONS

To prevent injury to the user or other people and property damage, the following instructions must be followed. Incorrect operation resulting from ignoring these instructions may cause harm or damage.

SAFETY PRECAUTIONS

ALWAYS DO THIS

- ✓ Your air conditioner should be used in such a way that it is protected from moisture. e.g. condensation, splashed water, etc. Do not place or store your air conditioner where it can fall or be pulled into water or any other liquid. Unplug unit immediately if this occurs.
- ✓ Always transport your air conditioner in a vertical position and place on a stable, level surface during use. If the unit is transported laying on its side it should be stood up and left unplugged for 4 hrs.
- ✓ Turn off the unit when not in use.
- ✓ Always contact a qualified person to perform repairs. If the power cord is damaged it must be repaired by a qualified technician.
- ✓ Keep clearance of at least 30cm (1 foot) all around the unit from walls, furniture and curtains, to allow for adequate air flow.
- ✓ If the air conditioner is knocked over during use, turn off the unit and unplug it immediately.
- ✓ Always use the switch on the control panel to turn the unit on or off.
- ✓ Portable air conditioners exhaust large amounts of room air. Always ensure an adequate supply of make-up air to operate efficiently.

NEVER DO THIS

- ✗ Do not operate your air conditioner in a wet room such as a bathroom or laundry room.
- ✗ Do not touch the unit with wet or damp hands.
- ✗ Do not press the buttons on the control panel with anything other than your fingers.
- ✗ Do not remove any fixed components. Never use this appliance if it is not working properly, or if it has been dropped or damaged.
- ✗ Never use the plug to start and stop the unit.
- ✗ Do not cover or obstruct the inlet or outlet grilles.
- ✗ Do not use hazardous chemicals to clean or come into contact with the unit. Do not use the unit in the presence of inflammable substances or vapour such as alcohol, insecticides, petrol, etc.
- ✗ Do not allow children to operate the unit unsupervised.
- ✗ Do not use this product for functions other than those described in this instruction manual.



Important Safety Information

READ AND FOLLOW ALL SAFETY INSTRUCTIONS

To prevent injury to the user or other people and property damage, the following instructions must be followed. Incorrect operation resulting from to ignoring these instructions may cause harm or damage.

ENERGY SAVING TIPS

- Use the unit in the recommended room size.
- Locate the unit where furniture cannot obstruct the air flow.
- Keep blinds/curtains closed during the sunniest part of the day.
- Keep the filters clean.
- Keep doors and windows closed to keep cool air in and warm air out (cooling mode).

OPERATING CONDITION

The air conditioner must be operated within the temperature range indicated below:

MODE	ROOM TEMPERATURE
COOL	17°C (62°F) ~ 35°C (95°F)
DRY	13°C (55°F) ~ 35°C (95°F)
*HEAT (heat pump type)	5°C (41°F) ~ 30°C (86°F)
*HEAT (electrical or heat pump)	≤30°C / 86°F

(* *Optional feature, some models may not have this feature.*

Note: Performance may be reduced outside of these operating temperatures.

TOOLS FOR WINDOW KIT INSTALLATION

1. Screwdriver (medium size, Phillips)
2. Tape measure or ruler
3. Knife or scissors
4. Saw (In the event that the window kit needs to be cut down in size because the window is too narrow for direct installation).
See www.danby.com for general instruction guide.



Identifying Parts

WARNING

- Do not store or use gasoline or other flammable vapors and liquids in the vicinity of this or any other appliance.
- Avoid fire hazard or electric shock. Do not use an extension cord or an adaptor plug. Do not remove any prong from the power cord.

ELECTRICAL INFORMATION

WARNING

- Be sure the electrical supply is adequate for the model you have chosen. This information can be found on the serial plate, which is located on the side of the cabinet and behind the grille.
- Be sure the air conditioner is properly grounded. To minimize shock and fire hazards, proper grounding is important. The power cord is equipped with a three-prong grounding plug for protection against shock hazards.
- Your air conditioner must be used in a properly grounded wall receptacle. If the wall receptacle you intend to use is not adequately grounded or protected by a time delay fuse or circuit breaker, have a qualified electrician install the proper receptacle.
- Ensure the receptacle remains accessible after the unit is installed.



Identifying Parts

ACCESSORIES

PARTS	PART NAME	QUANTITY
	Exhaust hose and Adaptor B (round mouth)	1 set
	Window Slider Kit and screw	1 set
	Foam seal	6 pc
	Remote Controller and Battery (For remote control models only)	1set
	Drain hose	1pc

- Ensure that all the accessories are included in the package and refer to the installation instructions for their usage.

NOTE: All the illustrations in this manual are for explanatory purposes only. Your air conditioner may be slightly different.

UNIT STRUCTURE

FRONT

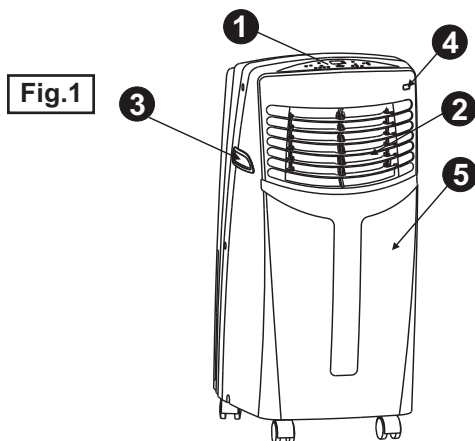


Fig.1

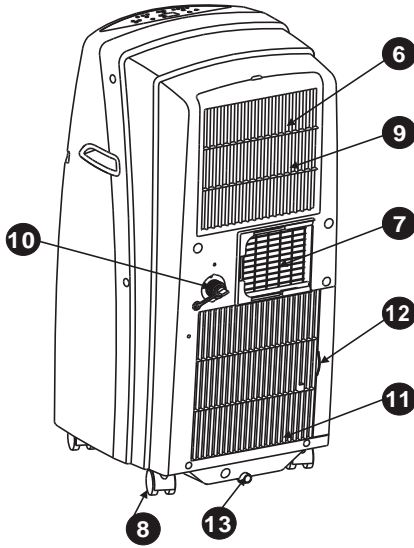
- 1 Control Panel
- 2 Horizontal Louver Blade (adjusts manually)
- 3 Carrying Handle (both sides)
- 4 Remote Signal Receptor
- 5 Front Panel



Identifying Parts

REAR

Fig.2



- 6 Upper Air Filter (behind the grille)
- 7 Air Outlet
- 8 Castor
- 9 Air Intake
- 10 Drain Outlet
- 11 Air Intake
- 12 Lower Air Filter (behind the grill)
- 13 Bottom tray drain outlet



Features

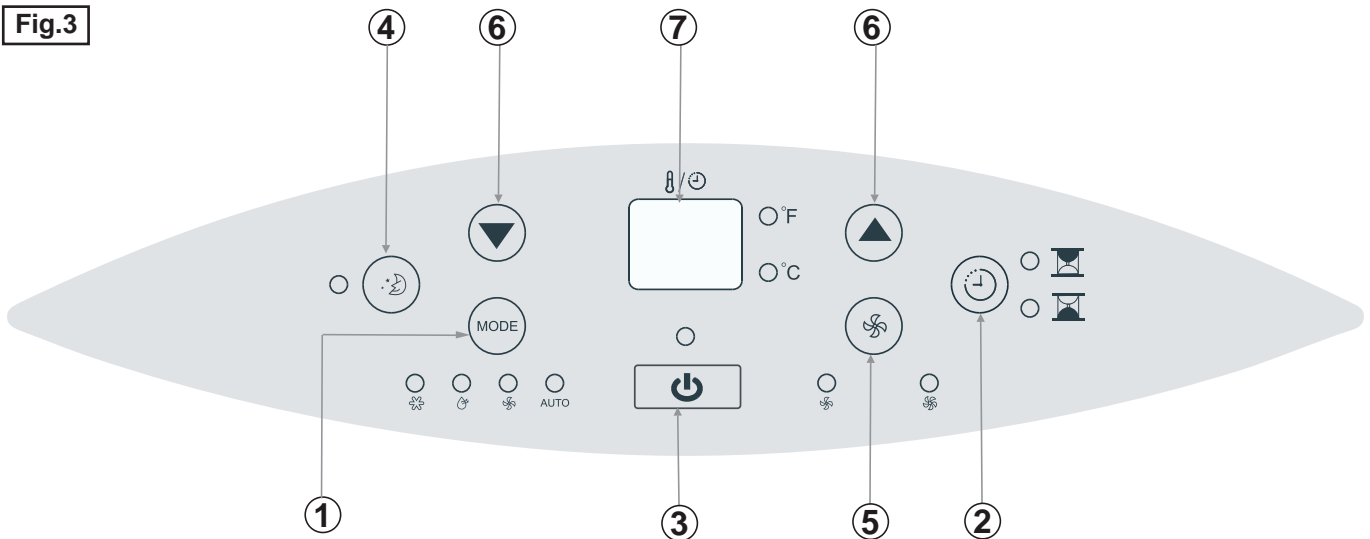
ELECTRONIC CONTROL INSTRUCTIONS

Before you begin, thoroughly familiarize yourself with the control panel and remote controller and all its functions. Select the functions you desire based on the associated symbol.

The unit can be controlled by the control panel alone or with the remote controller.

NOTE: This manual does not include Remote Controller Operation. Refer to the <<Remote Controller Instructions>> packed with the unit for this information.



Fig.3





Features

ELECTRONIC CONTROL INSTRUCTIONS

- 1 MODE select button**
Selects the appropriate operating mode. Each time you press the button, a mode is selected in a sequence that goes from AUTO, COOL, DRY, FAN and HEAT (not available on cooling only models). The mode indicator light corresponding to the chosen setting lights up.
- 2 TIMER button**
Used to initiate the AUTO ON start time and AUTO OFF stop time program, in conjunction with the up arrow & down arrow buttons.
- 3 POWER button**
Turns power on/off.
- 4 SLEEP button**
Used to initiate the SLEEP operation.
- 5 FAN button**
Controls the fan speed. Press to toggle between two fan speeds: LOW (press 1 time) and HIGH (press 2 times). The fan speed indicator light indicates the corresponding fan setting. Press the button a third time to initiate AUTO-FAN mode. In this mode, both indicator lights will light up.
- 6   UP and DOWN buttons**
Used to adjust (increase /decrease) temperature settings (1°C/2°F increments) in a range of 17°C(62°F) to 30°C(86°F) or the TIMER setting in a range of 0~24hrs. The control is capable of displaying temperature in degrees Fahrenheit or degrees Celsius. To convert from one to the other, press and hold the Up and Down buttons at the same time for 3 seconds.
- 7 LED Display**
Shows the set temperature in °C or °F and the Auto-timer settings. While on DRY and FAN modes, it shows the room temperature.

Also displays the following error codes:

- E1** - Room temperature sensor error-Unplug the unit and plug it back in. If error repeats, call for service.
- E2** - Evaporator temperature sensor error- Unplug the unit and plug it back in. If error repeats, call for service.
- E3** - Condenser temperature error - Unplug the unit and plug it back in. If error repeats call for service.
- E4** - Display panel communication error - Unplug the unit and plug it back in. If error repeats call for service.
- P1** - Bottom tray is full - Connect the drain hose and drain the collected water away. If error repeats, call for service.



Operating Instructions

OPERATING MODES

COOL mode

- Press the "MODE" button until the "COOL" indicator light comes on.
- Press the up / down arrows to select your desired room temperature. The temperature can be set within a range of 17°C-30°C / 62°F-86°F.
- Press the "FAN SPEED" button to choose the fan speed.

HEAT mode (select models only)

- Press the "MODE" button until the "HEAT" indicator light comes on.
- Press the ADJUST buttons "up" or "down" to select your desired room temperature. The temperature can be set within a range of 17°C-30°C / 62°F-86°F.
- Press the "FAN SPEED" button to choose the fan speed. For some models, the fan speed can not be adjusted under HEAT mode.

DRY mode

- Press the "MODE" button until the "DRY" indicator light comes on.
- Under this mode, you cannot select a fan speed or adjust the temperature. The fan motor operates at LOW speed.
- Keep windows and doors closed for the best dehumidifying effect.
- Do not use the window hose under this mode.

AUTO mode

- When you set the air conditioner in AUTO mode, it will automatically select cooling, heating (applicable models only) or fan only operation depending on what temperature you have selected and the room temperature.
- The air conditioner will adjust the room temperature automatically to the temperature point set by you.
- Under AUTO mode, you can not select the fan speed.

FAN mode

- Press the "MODE" button until the "FAN " indicator light comes on.
- Press the "FAN SPEED" button to choose the fan speed (1 time for LOW, 2 times for HIGH, 3 times for AUTO-FAN).
- The corresponding fan speed indicator light for each speed lights up. Both indicators are lit up when AUTO-FAN is selected.
- The temperature cannot be adjusted.
- Do not use the window hose in this mode.

TIMER mode

- To initiate the TIMER OFF function, press the timer button when the unit is on. It indicates the Auto Stop program is initiated.
- To initiate the TIMER ON function, press the timer button when the unit is off. It indicates the Auto Start program is initiated.
- Press and hold the UP or DOWN button to change the Auto-time by half hour increments, up to 10 hours, then at 1 hour increments up to 24 hours. The control will count down the time remaining until the unit starts or stops.
- The selected time will program in 5 seconds and the system will automatically revert back to display the previous temperature setting.
- Turning the unit ON or OFF at any time or adjusting the timer setting to 0.0 will cancel the Auto Start/Stop timed program.
- When a malfunction (E1, E2, E3, E4, P1) occurs, the Auto Start/ Stop program will be cancelled.



Operating Instructions

OPERATING MODES

SLEEP cycle

This unit features an operation mode that is designed to keep you comfortable while sleeping, and save you money on your energy bill. Simply press the sleep button. Depending on whether the unit is in heating or cooling mode, the temperature will either increase (cooling mode) or decrease (heating mode) by 1°C / 2°F every half hour for 1 hour. It will then hold this new temperature for 7 hours before returning to the original temperature setting and resuming normal operation.

NOTE: This feature is unavailable in FAN and DRY mode.

POWER OUTAGE

In the case of a power outage or interruption, the unit will automatically re-start with the default settings after the power is restored.

Wait 3 minutes before resuming operation

After the unit has stopped, it can not operate for the first 3 minutes. This is to protect the unit. Operation will automatically start after 3 minutes.

AIR FLOW DIRECTION ADJUSTMENT

Adjust the air flow direction manually (Fig. 4):

- The louver can be set to the desired position manually.
- Do not place any heavy objects or other loads on the louver, doing so will cause damage to the unit.
- Ensure the louver is fully opened under heating operation.

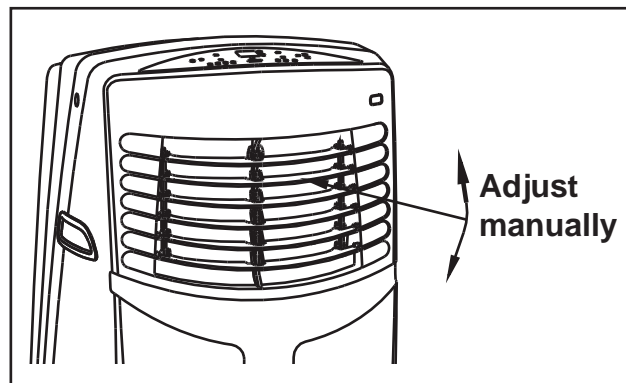


Fig.4



Installation Instructions

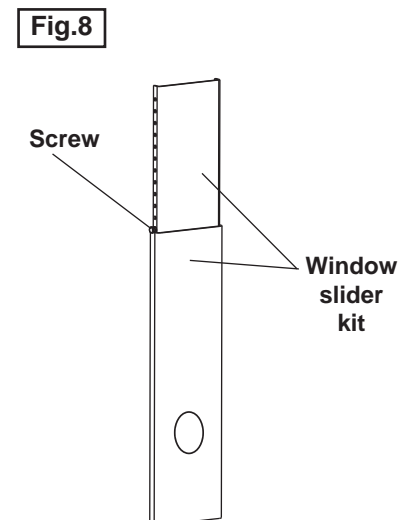
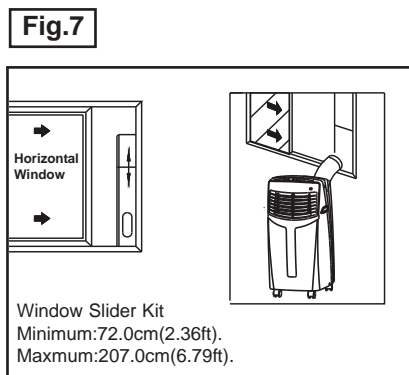
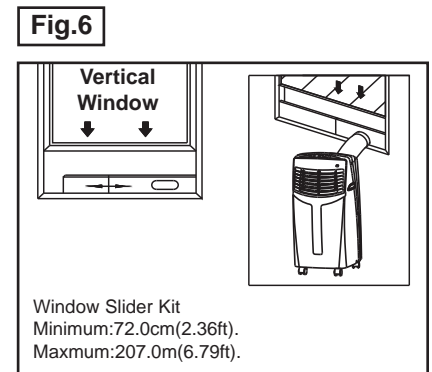
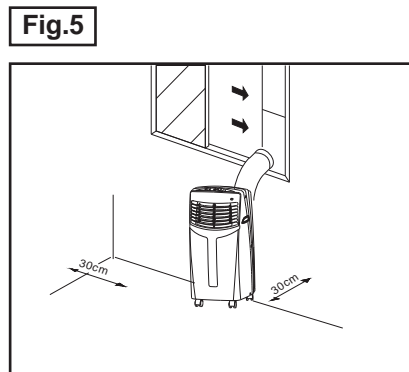
LOCATION

- The air conditioner should be placed on a firm foundation to minimize noise and vibration. For safe and secure positioning, place the unit on a smooth, level floor strong enough to support the unit.
- The unit has casters to aid placement, but it should only be rolled on smooth, flat surfaces. Use caution when rolling on carpeted surfaces. Use caution and protect floors when rolling over wood floors. Do not attempt to roll the unit over objects.
- The unit must be placed within reach of a properly rated grounded socket.
- Never place any obstacles around the air inlet or outlet of the unit.
- Allow at least 30cm of space away from the wall for efficient air conditioning.

WINDOW SLIDER KIT INSTALLATION

Your window slider kit has been designed to fit most standard vertical and horizontal window applications. However, it may be necessary for you to modify some aspects of the installation procedures for certain types of windows. Please refer to Fig. 6 & Fig. 7 for minimum and maximum window openings. The window slider kit can be fastened with a screw (see Fig. 8).

NOTE: If the window opening is less than the mentioned minimum length of the window slider kit, cut the end without the hole in it short enough to fit in the window opening. **Never cut out the hole in window slider kit.** (visit www.danby.com for general instruction videos.)

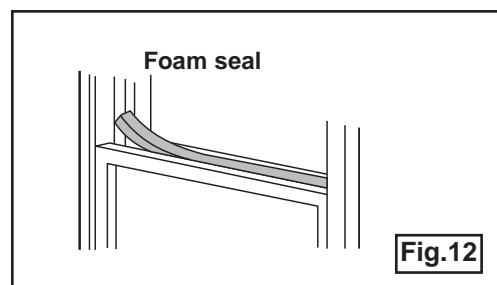
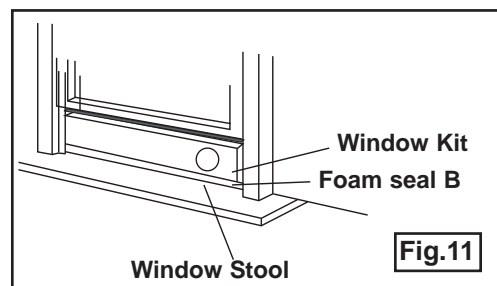
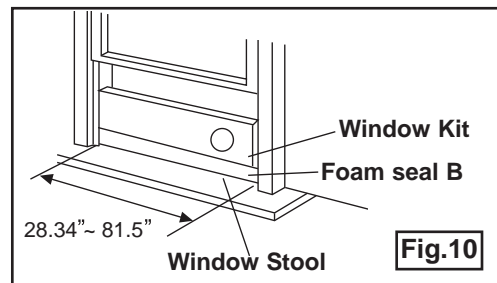
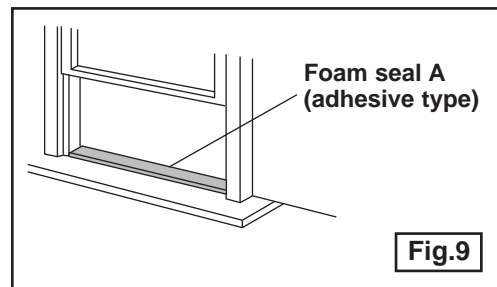




Installation Instructions

INSTALLATION IN A DOUBLE- HUNG SASH WINDOW

1. Measure the adhesive foam seal to fit the window stool. Then cut the foam seal to the proper length and attach it to the window stool. **Fig.9**
2. Attach the window slider kit to the window stool. Adjust the length of the window slider kit according to the width of window. Shorten the adjustable window kit if the width of window is less than 28.3 inches. Open the window sash and place the window slider kit on the window stool. **Fig.10**
3. Cut the foam seal (adhesive type) to the proper length and attach it on the top of the window. Shown in **Fig.11**
4. Close the window sash securely against the window.
5. Cut the foam seal to an appropriate length and seal the open gap between the top window sash and outer window sash. Shown in **Fig.12.**

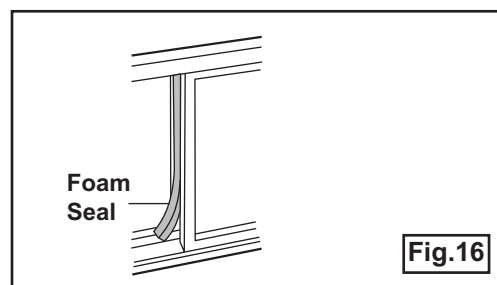
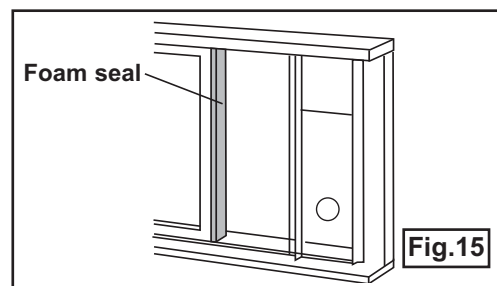
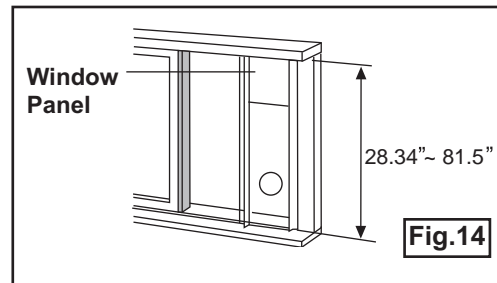
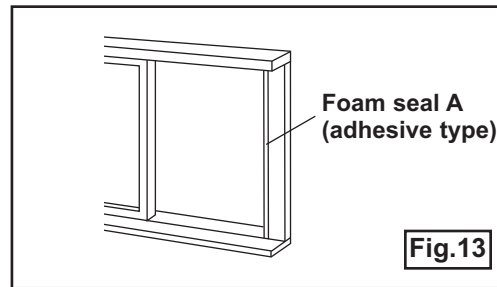




Installation Instructions

INSTALLATION IN A SLIDING SASH WINDOW

1. Measure the adhesive foam seal to fit the window stool. Cut the foam seal (adhesive type) to the proper length and attach it to the window frame. See **Fig.13**.
2. Attach the window slider kit to the window stool. Adjust the length of the window slider kit according to the height of window. Shorten the adjustable window kit if the height of window is less than 28.3inches. Open the window sash and place the window slider kit on the window stool. See **Fig.14**.
3. Cut the foam seal(adhesive type) to the proper length and attach it on the top of the window. Shown in **Fig.15**.
4. Close the sliding sash securely against the window.
5. Cut the foam seal to the appropriate length and seal the open gap between the top window sash and outer window sash. Shown in **Fig.16**.





Installation Instructions

EXHAUST HOSE INSTALLATION:

The exhaust hose and adaptor must be installed or removed in accordance with the usage mode.

COOL, HEAT(heat pump type) or AUTO mode	Install
FAN, DEHUMIDIFY mode	Remove

1. Install the window exhaust adaptor B onto the exhaust hose as shown in **Fig.17.** or **Fig.18.** Refer to the previous pages for window kit installation.
 2. Push the exhaust hose into the air outlet opening along the arrow direction (**See Fig.19**).
- The hose can be compressed or extended moderately according to the installation requirement, but it is desirable to keep the hose length to a minimum.

⚠ IMPORTANT

DO NOT OVER BEND THE HOSE. (see Fig.21)

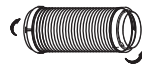


Fig.17

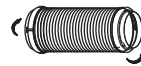
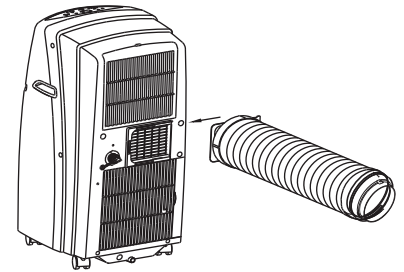


Fig.18

Fig.19





Installation Instructions

WATER DRAINAGE

- During dehumidifying modes, remove the drain plug from the back of the unit, install the drain connector (5/8" universal female connector) with 3/4" hose (not included). For the models without a drain connector, just attach the drain hose to the hole. Place the open end of the hose directly over the drain area in your basement floor. Please refer to **Fig.22a, b & 23**.
- When the water level of the bottom tray reaches a predetermined level, the unit beeps 8 times, the digital display area shows P1. At this time the air conditioning/dehumidification process will immediately stop. However, the fan motor will continue to operate (this is normal). Carefully move the unit to a drain location, remove the bottom drain plug and let the water drain away (**Fig.24**). Restart the machine until the P1 symbol disappears. If the error repeats, call for service.

NOTE: When operating or draining water always protect carpeting or floors from possible water spillage.

Fig.22a

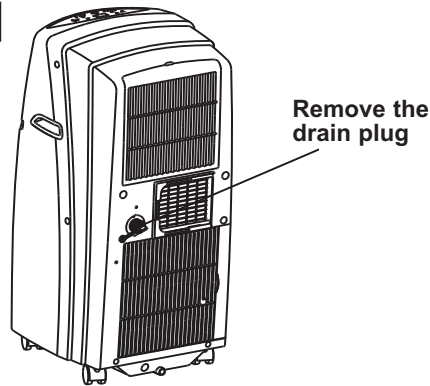


Fig.22b

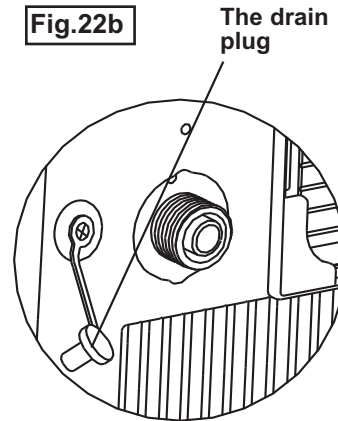


Fig.23

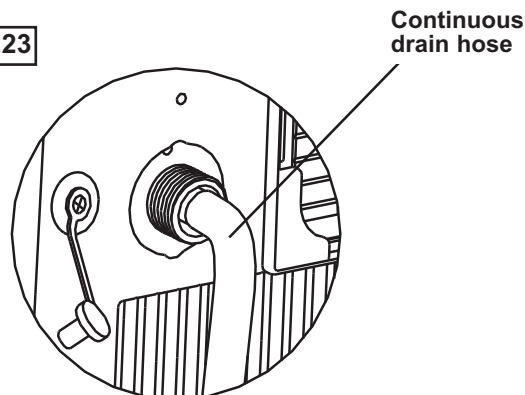
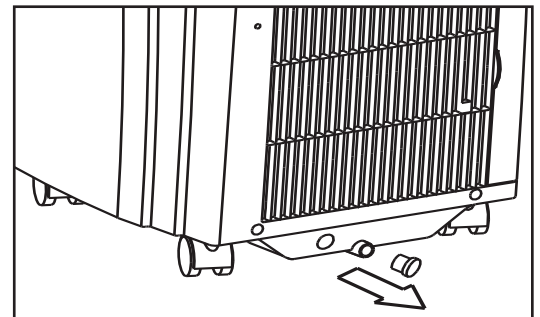


Fig.24





Care and Maintenance

⚠ IMPORTANT

- 1) Be sure to unplug the unit before cleaning or servicing.
- 2) Do not use gasoline, paint thinner or other chemicals to clean the unit.
- 3) Do not wash the unit directly under a tap or using a hose. It may cause electrical damage.
- 4) If the power cord is damaged, contact the service depot immediately.

AIR FILTER

Clean the air filter at least once every two weeks. Accumulation of dust will hinder fan operation.

REMOVAL

This unit has two filters. Grasp the upper filter tab and take it out in the direction of the arrow as shown in Fig.25. Remove the lower filter by grasping the filter tab and removing it in the direction of the arrow as shown in Fig.25.

CLEANING

Wash the air filter by submerging it gently in warm water (about 40°C / 104 °F) with a neutral detergent. Rinse the filter and dry it in a shady place.

REPLACING

Install the upper and lower air filters after cleaning. Reinsert them in the direction of the arrow. (see Fig.26). *Filters should be dry before installing.

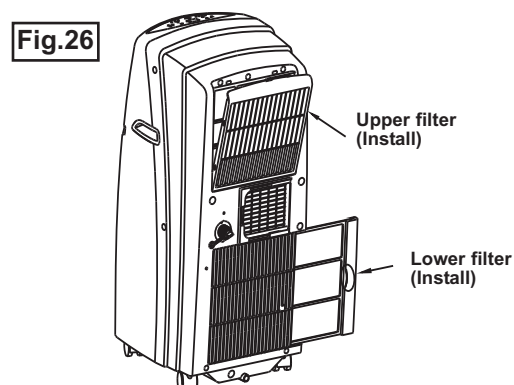
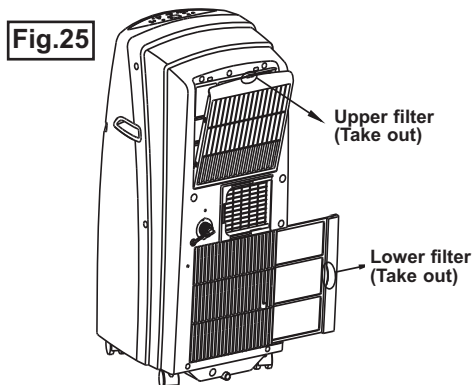
NOTE: The upper (lower) grills and the upper (lower) air filters are connected and can be separated.

UNIT ENCLOSURE

Use a lint-free cloth soaked with neutral detergent to clean the unit enclosure. Finish by wiping with a dry clean cloth.

LONG TERM STORAGE

- Remove the rubber plug at the back of the unit and attach a hose to the drain outlet. Place the open end of the hose directly over the drain area in your basement floor (See page 14).
- Remove the plug from the bottom drain outlet, all the water in the bottom tray will drain out (See page 14).
- Keep the appliance running on FAN mode for half a day in a warm room to dry the appliance inside and prevent mold formation.
- Turn off the appliance and unplug it, wrap the cord and bundle it with tape.
- Remove the batteries from the remote controller.
- Clean the air filter and reinstall it.





Troubleshooting

Occasionally, a problem may arise that is minor in nature, and a service call may not be necessary. Use this troubleshooting guide for a possible solution. If the unit continues to operate improperly, call an authorized service depot or Danby's Toll Free Number **1-800-263-2629** for assistance.

PROBLEM	POSSIBLE CAUSE	SOLUTION
Unit does not start when pressing on/off button	• P1 appears in the display window	• Drain the water in the bottom tray.
	• Room temperature is lower than the set temperature. (Cooling mode)	• Reset the temperature.
Not cool enough	• The windows or doors in the room are not closed.	• Make sure all the windows and doors are closed.
	• There are heat sources inside the room.	• Remove the heat sources if possible.
	• Exhaust air hose is not connected or blocked.	• Connect the hose and make sure it can function properly.
	• Temperature setting is too high.	• Decrease the set temperature.
	• Air filter is blocked by dust.	• Clean the air filter.
Noisy or vibration	• The ground is not level or not flat enough.	• Place the unit on a flat, level ground if possible.
Gurgling sound	• The sound comes from the flowing of the refrigerant inside the air conditioner	• It is normal
Power shuts off in heating mode	• The automatic overheat protection function. When the temperature at the air outlet exceeds 70°C/158°F, the device will stop.	• Turn on again after the unit has cooled down. Reduce temperature setting.

LIMITED IN-HOME APPLIANCE WARRANTY

This quality product is warranted to be free from manufacturer's defects in material and workmanship, provided that the unit is used under the normal operating conditions intended by the manufacturer.

This warranty is available only to the person to whom the unit was originally sold by Danby Products Limited (Canada) or Danby Products Inc. (U.S.A.) (hereafter "Danby") or by an authorized distributor of Danby, and is non-transferable.

TERMS OF WARRANTY

Plastic parts, are warranted for thirty (30) days only from purchase date, with no extensions provided.

First Year During the first twelve (12) months, any functional parts of this product found to be defective, will be repaired or replaced, at warrantor's option, at no charge to the ORIGINAL purchaser.

To obtain Service Danby reserves the right to limit the boundaries of "In Home Service" to the proximity of an Authorized Service Depot. Any appliance requiring service outside the limited boundaries of "In Home Service", it will be the consumer's responsibility to transport the appliance (at their own expense) to the original retailer (point of purchase) or a service depot for repair. See "Boundaries of In Home Service" below. Contact your dealer from whom your unit was purchased, or contact your nearest authorized Danby service depot, where service must be performed by a qualified service technician. If service is performed on the units by anyone other than an authorized service depot, or the unit is used for commercial application, all obligations of Danby under this warranty shall be void.

Boundaries of In Home Service If the appliance is installed in a location that is 100 kilometers (62 miles) or more from the nearest service center your unit must be delivered to the nearest authorized Danby Service Depot, as service must only be performed by a technician qualified and certified for warranty service by Danby. Transportation charges to and from the service location are not protected by this warranty and are the responsibility of the purchaser.

Nothing within this warranty shall imply that Danby will be responsible or liable for any spoilage or damage to food or other contents of this appliance, whether due to any defect of the appliance, or its use, whether proper or improper.

EXCLUSIONS

Save as herein provided, by Danby, there are no other warranties, conditions, representations or guarantees, express or implied, made or intended by Danby or its authorized distributors and all other warranties, conditions, representations or guarantees, including any warranties, conditions, representations or guarantees under any Sale of Goods Act or like legislation or statute is hereby expressly excluded. Save as herein provided, Danby shall not be responsible for any damages to persons or property, including the unit itself, howsoever caused or any consequential damages arising from the malfunction of the unit and by the purchase of the unit, the purchaser does hereby agree to indemnify and hold harmless Danby from any claim for damages to persons or property caused by the unit.

GENERAL PROVISIONS

No warranty or insurance herein contained or set out shall apply when damage or repair is caused by any of the following:

- 1) Power failure.
- 2) Damage in transit or when moving the appliance.
- 3) Improper power supply such as low voltage, defective house wiring or inadequate fuses.
- 4) Accident, alteration, abuse or misuse of the appliance such as inadequate air circulation in the room or abnormal operating conditions (extremely high or low room temperature).
- 5) Use for commercial or industrial purposes (ie. If the appliance is not installed in a domestic residence).
- 6) Fire, water damage, theft, war, riot, hostility, acts of God such as hurricanes, floods etc.
- 7) Service calls resulting in customer education.
- 8) Improper Installation (ie. Building-in of a free standing appliance or using an appliance outdoors that is not approved for outdoor application). Proof of purchase date will be required for warranty claims; so, please retain bills of sale. In the event warranty service is required, present this document to our AUTHORIZED SERVICE DEPOT.

Warranty Service
In-home

Danby Products Limited
PO Box 1778, Guelph, Ontario, Canada N1H 6Z9
Telephone: (519) 837-0920 FAX: (519) 837-0449

1-800-263-2629
07/13

Danby Products Inc.
PO Box 669, Findlay, Ohio, U.S.A. 45840
Telephone: (419) 425-8627 FAX: (419) 425-8629

Bienvenue

Bienvenue dans la famille Danby. Nous sommes fiers de la qualité de nos produits et nous croyons fermement au service par une assistance fiable. Vous découvrirez au travers de ce guide, facile d'utilisation et vous en aurez la confirmation par notre service d'assistance à la clientèle. Mais ce qui est encore mieux, vous pourrez bénéficier de ces valeurs à chaque utilisation de votre appareil. Ceci est important parce que votre nouvel appareil fera partie de votre famille pour longtemps.

S'il vous plaît écrivez informations ci-dessous; ces renseignements seront nécessaires si votre appareil a besoin d'entretien ou pour les demandes de renseignements généraux. Pour bénéficier d'une opération de maintenance ou dépannage, le reçu original sera exigé.

Numéro de modèle : _____

Numéro de série : _____

Date d'achat : _____

BESOIN D'ASSISTANCE ?

Veuillez trouver quelques conseils avant de faire appel à nos services, cela nous aidera à mieux vous servir:

Lisez ce guide:

Il comprend des instructions pour l'utilisation et l'entretien adapté de votre unité.

Si votre nouvel appareil est endommagé :

Contactez immédiatement le revendeur (ou le fabricant).

Gagnez du temps et de l'argent :

Avant de faire appel à nos services, consultez à nouveau la section « Dépannage ». Cette section vous aidera à solutionner des problèmes courants.

Si une réparation est nécessaire, ne vous inquiétez pas, la solution est au bout de l'appel téléphonique.



Tel: 1-800-26-**Danby**
(1-800-263-2629)



AVERTISSEMENT :

Une fiche de mise à la terre mal branchée peut entraîner un risque d'incendie, de choc électrique ou de blessures aux personnes qui utilisent l'appareil. Si vous n'êtes pas certain que l'appareil est correctement mis à la terre, consultez un préposé du service qualifié.



Consignes de sécurité importantes

LISEZ TOUTE L'INFORMATION DE SÉCURITÉ AVANT UTILISATION

POUR VOTRE SÉCURITÉ : Lisez ces instructions attentivement avant d'utiliser l'appareil et conservez-les afin de pouvoir vous y référer ultérieurement.

PRÉCAUTIONS DE SÉCURITÉ

SUIVEZ TOUJOURS CES CONSIGNES:

- ✓ L'appareil doit être utilisé dans un endroit à l'abri de l'humidité, comme la condensation, les éclaboussures d'eau, etc. Ne le placez pas dans un endroit où il pourrait tomber dans l'eau ou d'autres liquides.
- ✓ Transportez toujours l'appareil en position verticale. Utilisez-le sur une surface stable et de niveau. Si l'appareil est transporté, couché, il faudra le remettre en position verticale et le garder débranché pendant 4 heures.
- ✓ Éteignez le produit s'il n'est pas utilisé.
- ✓ Faites faire toute réparation par un technicien qualifié. Si le cordon d'alimentation est endommagé, il doit être réparé par un technicien qualifié.
- ✓ Laissez un espace libre d'au moins 30 cm (1 pied) autour de l'appareil (p. ex., des murs, des meubles et des rideaux) pour permettre une bonne circulation de l'air.
- ✓ Si le climatiseur tombe alors qu'il est en marche, éteindre l'appareil et le débrancher immédiatement.
- ✓ Utilisez toujours l'interrupteur du panneau de commande pour éteindre l'appareil ou le mettre en marche.
- ✓ Les climatiseurs mobiles détournent de grandes quantités d'air de la salle. Toujours assurer un approvisionnement suffisant d'air afin de fonctionner efficacement.

MISES EN GARDE

- ⊗ Ne faites pas fonctionner le climatiseur dans une pièce humide, comme une salle de bain ou de lavage.
- ⊗ Ne touchez pas à l'appareil les mains mouillées ou humides, ou nus pieds (sans chaussettes).
- ⊗ N'appuyez sur les boutons du panneau de commande qu'avec les doigts.
- ⊗ Ne retirez pas les couvercles fixes. N'utilisez jamais cet appareil s'il fonctionne mal ou s'il a été échappé ou endommagé.
- ⊗ Ne couvrez pas les grilles d'entrée ou de sortie, et ne les obstruez pas.
- ⊗ Ne nettoyez pas cet appareil à l'aide de produits chimiques dangereux. Ne les mettez pas en contact avec l'appareil.
- ⊗ N'utilisez pas cet appareil en présence de substances inflammables comme l'alcool, les insecticides, le gaz, l'essence, etc.
- ⊗ Ne laissez pas les enfants utiliser cet appareil sans surveillance.
- ⊗ N'utilisez pas ce produit à des fonctions autres que celles décrites dans ce guide.



Consignes de sécurité importantes

LISEZ TOUTE L'INFORMATION DE SÉCURITÉ AVANT UTILISATION

POUR VOTRE SÉCURITÉ : Lisez ces instructions attentivement avant d'utiliser l'appareil et conservez-les afin de pouvoir vous y référer ultérieurement.

ÉCONOMISEZ L'ÉNERGIE

- Utilisez l'appareil dans des pièces des dimensions recommandées.
- Placez l'appareil dans un endroit où les meubles n'obstruent pas la circulation d'air.
- Fermez les stores et rideaux pendant les moments les plus ensoleillés de la journée.
- Gardez le filtre de l'appareil propre.
- Fermez les portes et les fenêtres pour garder l'air froid à l'intérieur et l'air chaud à l'extérieur.

CONDITIONS DE FONCTIONNEMENT

Le climatiseur doit être utilisé à l'intérieur de la plage de température qui figure ci-dessous :

MODE	TEMPÉRATURE DE LA PIÈCE
REFROIDISSEMENT	17 °C (62 °F) ~ 35 °C (95 °F)
DÉSHUMIDIFICATION	13 °C (55 °F) ~ 35 °C (95 °F)
*CHAUFFAGE (modèle pompe thermique)	5°C (41°F) ~ 30°C (86°F)
*CHAUFFAGE (électrique ou pompe thermique)	≤30°C / 86°F

(*) *En option, certains modèles n'ont pas cette fonction.*

Remarque : Une température hors de ces plages peut réduire le rendement.

OUTILS POUR L'INSTALLATION DE LA TROUSSE POUR FENÊTRE

1. Tournevis (moyen, à lame plate)
2. Ruban à mesure ou règle
3. Couteau ou ciseaux
4. Scie (si la trousse pour fenêtre doit être coupée parce que la fenêtre est trop étroite pour une installation directe).
Voir www.danby.com pour obtenir un guide d'instructions pour l'installation générale.



l'identification des pièces

AVERTISSEMENT

- Ne conservez et n'utilisez ni essence, ni vapeurs ou substances liquides inflammables à proximité de cet appareil ou de tout autre appareil.
- Évitez les risques de feu ou de choc électrique. N'utilisez pas de rallonge ou d'adaptateur. N'enlevez pas de broche sur le cordon d'alimentation.

AVERTISSEMENT

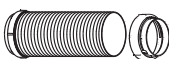
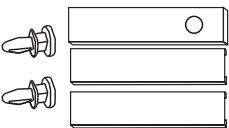

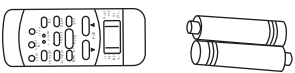
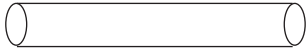
- Assurez-vous que l'alimentation en électricité correspond au modèle que vous avez choisi. Ces informations sont disponibles sur la plaque signalétique, qui se trouve sur le côté du châssis et derrière la grille.
- Assurez-vous que le climatiseur est correctement mis à la terre. Une mise à la terre correcte est importante pour minimiser les risques de choc et de feu. Le cordon d'alimentation est muni d'une prise de mise à la terre à trois broches pour vous protéger contre les risques de choc.
- Votre climatiseur doit être branché sur une prise murale correctement mise à la terre. Si la prise murale que vous prévoyez d'utiliser n'est pas mise à la terre correctement ou protégée par un fusible à fusion lente ou un disjoncteur, demandez à un électricien qualifié d'installer la bonne prise.
- Assurez-vous que la prise sera accessible après l'installation de l'appareil.

RENSEIGNEMENTS RELATIFS À L'ÉLECTRICITÉ



L'Identification des pièces

ACCESSOIRES

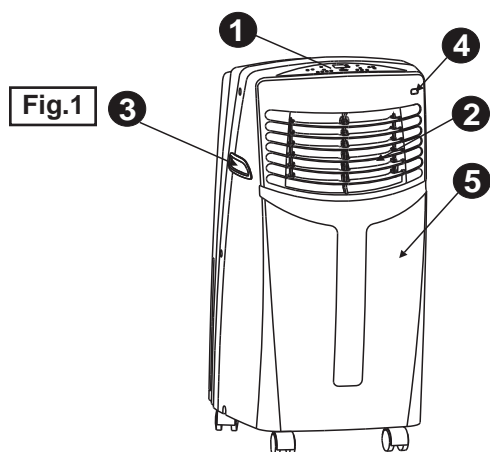
PIÈCES	NOM DES PIÈCES	QUANTITÉ
	Tuyau d'évacuation et adaptateur B (à embouchure plate)	1 ensemble
	Trousse de glissière pour fenêtre et boulon	1 ensemble
	Joint d'étanchéité en mousse	6 pièces
	Télécommande et pile (pour les modèles télécommandés seulement)	1 ensemble
	Tuyau de drainage	1 pièce

- Assurez-vous que tous les accessoires sont inclus dans l'emballage et consultez la notice d'installation pour connaître leur utilisation.

REMARQUE : Toutes les illustrations contenues dans ce manuel servent à des fins d'explication seulement. Votre climatiseur peut être légèrement différent. La forme réelle aura préséance.

STRUCTURE DE L'APPAREIL

AVANT



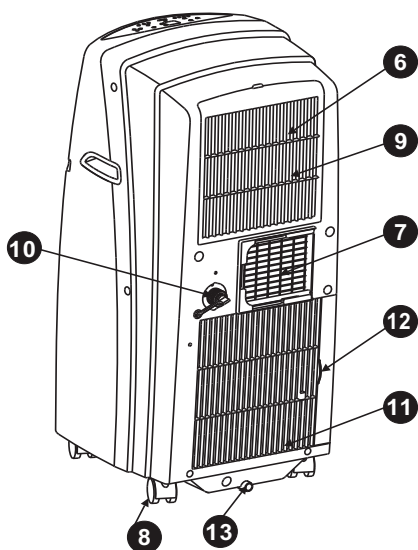
- 1 Panneau de commande
- 2 Lame du louvre horizontal (pivote manuellement)
- 3 Poignée de transport (sur les deux côtés)
- 4 Récepteur du signal éloigné
- 5 Panneau avant



l'identification des pièces

ARRIÈRE

Fig.2



- ⑥ Filtre à air supérieur (derrière la grille)
- ⑦ Sortie d'air
- ⑧ Roulette
- ⑨ Entrée d'air
- ⑩ Sortie de drainage
- ⑪ Entrée d'air
- ⑫ Filtre à air inférieur (derrière la grille)
- ⑬ Prise du cordon d'alimentation
- ⑭ Sortie de drainage du plateau inférieur



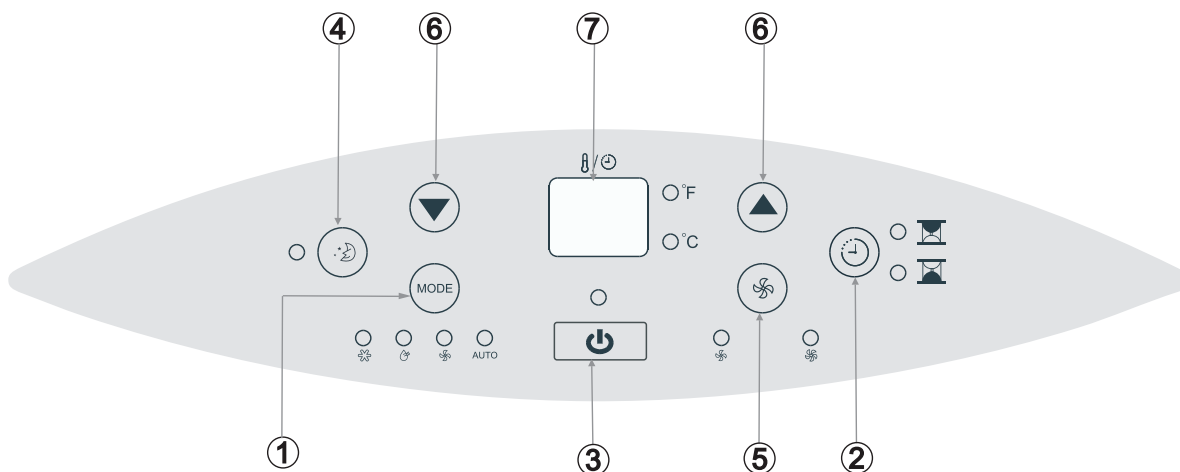
Caractéristiques

INSTRUCTIONS RELATIVES AUX COMMANDES ÉLECTRONIQUES

Avant de commencer, familiarisez-vous avec le panneau de commande et la télécommande et toutes leurs fonctions, puis suivez le symbole correspondant à la fonction désirée.

L'appareil peut être commandé par le panneau de commande seulement ou par la télécommande.



REMARQUE : ce manuel ne comprend pas les fonctions de la télécommande, voir les « Instructions relatives à la télécommande »





Caractéristiques

INSTRUCTIONS RELATIVES AUX COMMANDES ÉLECTRONIQUES

- 1 Bouton de sélection du MODE**
Permet de sélectionner le mode de fonctionnement approprié. Chaque fois que vous appuyez sur le bouton, un mode est sélectionné dans l'ordre suivant : AUTO, COOL (REFROIDISSEMENT), DRY (DÉSHUMIDIFICATION), FAN (VENTILATEUR) et HEAT (CHAUFFAGE – non disponible sur les modèles à refroidissement seulement). L'indicateur de mode correspondant au mode sélectionné s'allume.
- 2 Bouton TIMER (MINUTEUR)**
Utilisé pour amorcer le programme d'heure de mise en marche automatique et l'heure de fin automatique, conjointement avec les flèches ascendante et descendante.
- 3 Bouton POWER (MARCHE/ARRÊT)**
Allume/éteint l'appareil.
- 4 Bouton SLEEP (SOMMEIL)**
Utilisé pour accéder au programme SOMMEIL.
- 5 Bouton FAN (VENTILATEUR)**
Contrôle la vitesse du ventilateur. Appuyez sur ce bouton pour sélectionner la vitesse du ventilateur dans l'ordre suivant : BASSE (appuyez 1 fois) et ÉLEVÉE (appuyez 2 fois). L'indicateur de la vitesse du ventilateur correspondant à la vitesse sélectionnée s'allume. Appuyez sur ce bouton une troisième fois pour initier le mode AUTO-VENTILATEUR. Dans ce mode, tous les deux indicateurs de la vitesse du ventilateur s'allument.
- 6   Boutons PLUS et MOINS**
Utilisés pour régler (augmenter/diminuer) les réglages de température (intervalles de 1 °C/2 °F) sur une plage de 17 °C/62 °F à 30 °C (86 °F), ou les réglages du minuteur sur une plage de 0 à 24 heures. La commande peut afficher la température en degrés Fahrenheit ou en degrés Celsius. Pour passer d'une échelle à l'autre, appuyez sur les boutons Plus et Moins au même moment et maintenez-les enfoncés pendant 3 secondes.
- 7 Affichage à DEL**
Indique la température réglée en °C ou °F et affiche les réglages de minuteur automatique. En modes DÉSHUMIDIFICATION ou VENTILATEUR, il indique la température de la pièce.

Codes d'erreur :

- E1** - Erreur du capteur de température de la pièce : débranchez et rebranchez l'appareil. Si l'erreur se reproduit, appelez l'atelier de réparation.
- E2** - Erreur du capteur de température de l'évaporateur : débranchez et rebranchez l'appareil. Si l'erreur se reproduit, appelez l'atelier de réparation.
- E3** - Erreur du condensateur de température - Débranchez l'appareil et rebranchez-le. Si l'erreur se répète, veuillez communiquer avec le service.
- E4** - Erreur de communication de l'afficheur : débranchez et rebranchez l'appareil. Si l'erreur se reproduit, appelez l'atelier de réparation.
- P1** - Le plateau inférieur est plein : raccordez le tuyau de drainage et videz l'eau accumulée. Si l'erreur se reproduit, appelez l'atelier de réparation.



Consignes d'utilisation

MODE D'EMPLOI

Fonction REFROIDISSEMENT

- Appuyez sur le bouton « MODE » jusqu'à ce que l'indicateur lumineux « COOL » s'allume.
- Appuyez sur la flèche ascendante ou la flèche descendante pour sélectionner la température de la pièce que vous désirez. La température peut être réglée entre 17 °C et 30 °C (62 °F à 86 °F).
- Appuyez sur le bouton « FAN SPEED » pour sélectionner la vitesse du ventilateur.

Fonction CHAUFFAGE (n'est pas disponible sur les modèles à refroidissement seulement)

- Appuyez sur le bouton « MODE » jusqu'à ce que l'indicateur lumineux « HEAT » s'allume.
- Appuyez sur la flèche ascendante ou la flèche descendante pour sélectionner la température de la pièce que vous désirez. La température peut être réglée entre 17 °C et 30 °C (62 °F à 86 °F).
- Appuyez sur le bouton « FAN SPEED » pour sélectionner la vitesse du ventilateur. Pour certains modèles, la vitesse du ventilateur ne peut pas être sélectionnée en mode CHAUFFAGE.

Fonction DÉSHUMIDIFICATION

- Appuyez sur le bouton « MODE » jusqu'à ce que l'indicateur lumineux « DRY » s'allume.
- Dans ce mode, vous ne pouvez ni sélectionner la vitesse du ventilateur, ni régler la température. Le moteur du ventilateur fonctionne à BASSE vitesse.
- Pour obtenir le meilleur effet de déshumidification, gardez les portes et les fenêtres fermées.
- Ne faites pas passer la conduite par la fenêtre.

Fonction AUTOMATIQUE

- Lorsque vous réglez le climatiseur en mode AUTO, il sélectionne automatiquement le fonctionnement de refroidissement, de chauffage (n'est pas disponible sur les modèles à refroidissement seulement) ou de ventilateur seulement, en fonction de la température sélectionnée et de la température de la pièce.
- Le climatiseur contrôle automatiquement la température de la pièce afin qu'elle soit maintenue automatiquement à environ la température sélectionnée.
- En mode AUTO, vous ne pouvez pas sélectionner la vitesse du ventilateur.

Fonction VENTILATEUR

- Appuyez sur le bouton « MODE » jusqu'à ce que l'indicateur lumineux « FAN » s'allume.
- Appuyez sur le bouton « FAN SPEED » pour sélectionner la vitesse du ventilateur. (Appuyez 1 fois pour la vitesse BASSE, 2 fois pour l'ÉLEVÉE et 3 fois pour sélectionner AUTO-VENTILATEUR.)
- L'indicateur lumineux correspondant à la vitesse sélectionnée s'allume. Tous les deux indicateurs lumineux s'allument lorsque l'option AUTO-VENTILATEUR est sélectionnée.
- La température ne peut pas être réglée.
- Ne faites pas passer la conduite par la fenêtre dans ce mode.

Fonction MINUTEUR

- Lorsque l'appareil est en marche, appuyez d'abord sur le bouton TIMER; l'indicateur lumineux TIMER OFF (ARRÊT MINUTEUR) s'allume. Il indique que le programme d'arrêt automatique est amorcé.
- Lorsque l'appareil est éteint, appuyez d'abord sur le bouton TIMER; l'indicateur lumineux TIMER ON (DÉPART MINUTEUR) s'allume. Il indique que le programme de mise en marche automatique est amorcé.
- Appuyez sur les boutons PLUS ou MOINS ou maintenez-les enfoncés pour modifier l'heure automatique par intervalles de 0,5 heure jusqu'à 10 heures, puis par intervalles de 1 heure jusqu'à 24 heures. La commande effectue un compte à rebours jusqu'à l'heure du début.
- L'heure sélectionnée apparaît en 5 secondes et le système retourne automatiquement à l'affichage du réglage de température précédent.
- Le fait d'allumer ou d'éteindre l'appareil ou de régler le réglage du minuteur à 0,0 annule les fonctions d'arrêt/de mise en marche automatique.
- En cas d'anomalie (E1, E2, E3, E4 ou P1) le programme d'arrêt/ de mise en marche automatique sera également annulé.



Consignes d'utilisation

MODE D'EMPLOI

Fonction SOMMEIL

Cet appareil dispose d'un mode de fonctionnement conçu pour maintenir votre confort durant votre sommeil, tout en vous faisant économiser de l'argent sur votre facture d'énergie. Appuyez simplement sur le bouton sleep (sommeil). Selon le mode, en chauffage ou en refroidissement, la température augmentera (mode chauffage) ou diminuera (mode refroidissement) de 1 °C ou 2 °F toutes les demi-heures pendant 1 heure. Il gardera cette nouvelle température pour 7 heures avant de revenir au réglage de sa température originale et de continuer le cycle normal de fonctionnement.

REMARQUE : Cette fonctionnalité n'est pas disponible avec les fonctions FAN et DRY (VENTILATEUR et DÉSHUMIDIFICATION).

PANNE DE COURANT

En cas de panne ou d'interruption du courant, l'appareil se remet automatiquement en marche, selon les derniers réglages utilisés, après le rétablissement du courant.

Attendez 3 minutes avant de reprendre le fonctionnement.

Après l'arrêt de l'appareil, il ne peut pas être remis en marche dans les 3 minutes qui suivent le rétablissement du courant. Cette caractéristique sert à protéger l'appareil. Le fonctionnement reprendra automatiquement au bout de 3 minutes.

RÉGLAGE DE LA DIRECTION DU COURANT D'AIR

Ajustez la direction du courant d'air manuellement (Fig. 4):

- Le déflecteur peut être réglé manuellement à la position souhaitée.
- Ne placez aucun objet lourd ou d'autres charges sur le déflecteur, cela pourrait endommager l'appareil.
- Assurez-vous que le déflecteur soit complètement ouvert en fonction chauffage.

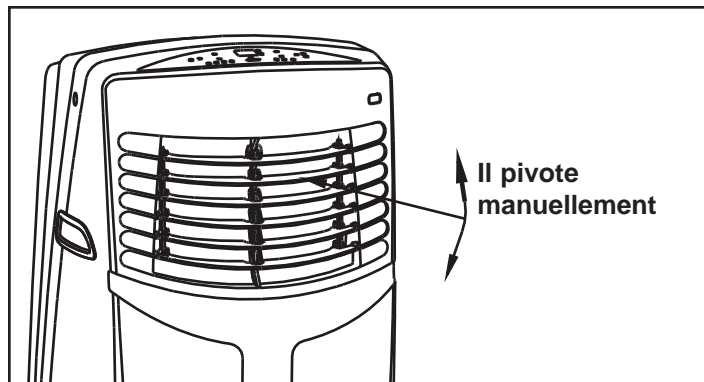


Fig.4



Installation

EMPLACEMENT

- Le climatiseur doit être placé sur une fondation solide pour minimiser le bruit et les vibrations. Pour la sûreté et la sécurité, placez l'appareil sur un plancher lisse et de niveau, assez fort pour le supporter.
- L'appareil est doté de roulettes pour faciliter son déplacement. Il ne doit être roulé que sur des surfaces lisses et planes. Soyez prudent lorsque vous roulez sur des tapis. Ne roulez pas l'appareil par-dessus des objets. Soyez prudent et protégez les planchers en bois si vous faites rouler l'appareil dessus.
- L'appareil doit être utilisé à distance d'une prise homologuée et mise à la terre, ne dépassant pas la longueur du cordon d'alimentation.
- Ne placez jamais d'obstacles autour de l'entrée ou de la sortie d'air de l'appareil.
- Laissez au moins 30 cm (1 pi) d'espace libre entre le mur et l'appareil afin de permettre une climatisation efficace.

INSTALLATION DE LA TROUSSE DE GLISSIÈRE POUR FENÊTRE

Votre trousse de glissière pour fenêtre est conçue pour s'adapter à la plupart des fenêtres à ouverture horizontale ou verticale. Toutefois, vous devrez peut-être improviser ou modifier certains aspects des procédures d'installation pour certains types de fenêtres. Veuillez consulter la fig. 6 et la fig. 7 pour obtenir les ouvertures maximales et minimales des fenêtres. La trousse de glissière pour fenêtre peut être fixée au moyen d'un vis (fig. 8).

REMARQUE : Si l'ouverture de la fenêtre est inférieure à la longueur minimale indiquée pour la trousse de glissière pour fenêtre, coupez celle qui contient un trou pour qu'elle entre dans l'ouverture de la fenêtre. Ne coupez jamais la section de la trousse de glissière pour fenêtre où se trouve le trou. Voir www.danby.com pour obtenir une vidéo d'instructions générales.

Fig.5

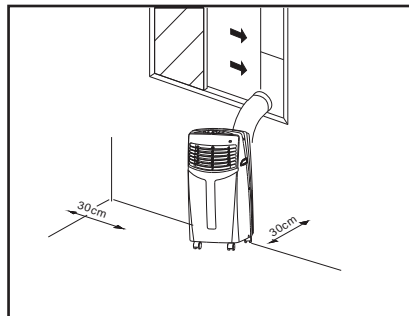


Fig.6

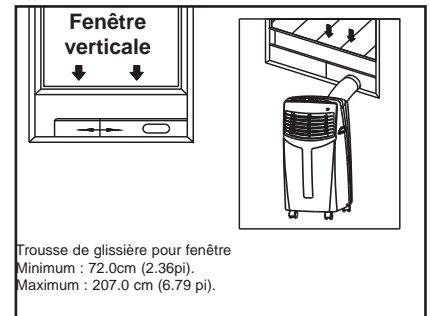


Fig.7

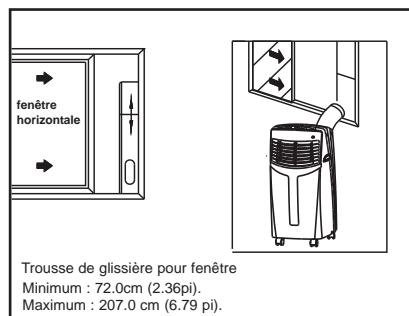
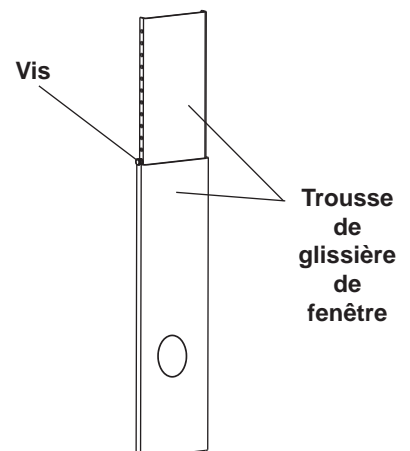


Fig.8

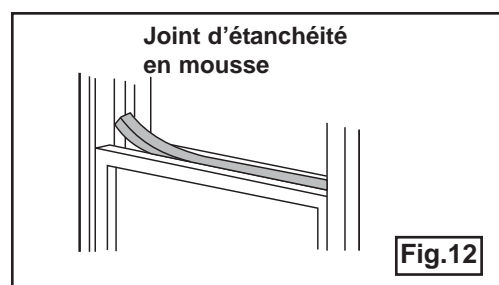
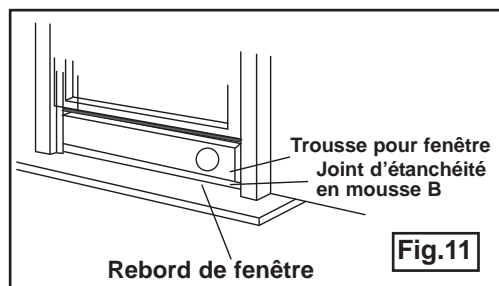
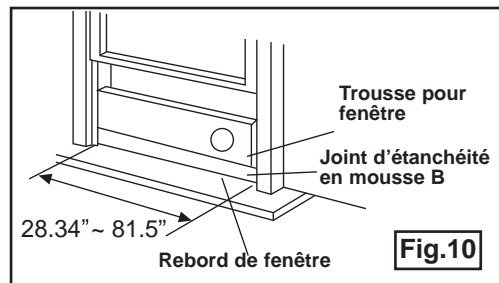
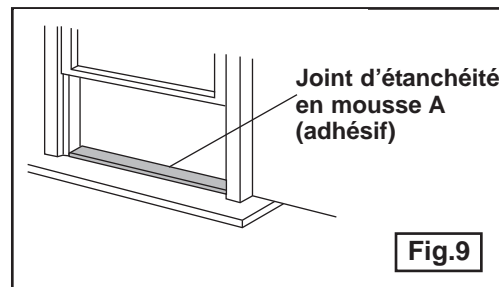




Installation

INSTALLATION DANS UNE FENÊTRE À GUILLOTINE DOUBLE

1. Coupez le joint d'étanchéité en mousse (adhésif) à la longueur appropriée et fixez-le au rebord de la fenêtre. **fig. 9**
2. Fixez la trousse de glissière pour fenêtre au rebord de la fenêtre. Ajustez la longueur de la trousse de glissière pour fenêtre en fonction de la largeur de la fenêtre; raccourcissez la trousse réglable pour fenêtre si la largeur de la fenêtre est inférieure à 28.3 pouces. Ouvrez le châssis de fenêtre et posez la trousse de glissière pour fenêtre sur le rebord de la fenêtre. **fig. 10.**
3. Coupez le joint d'étanchéité en mousse (adhésif) à la longueur appropriée et fixez-le au dessus de la fenêtre. Tel qu'illustré dans la **fig. 11.**
4. Fermez bien le châssis de fenêtre.
5. Coupez le joint d'étanchéité en mousse à la longueur appropriée et scellez l'espace ouvert entre le châssis supérieur et le châssis extérieur de la fenêtre. Tel qu'illustré dans la **fig. 12.**

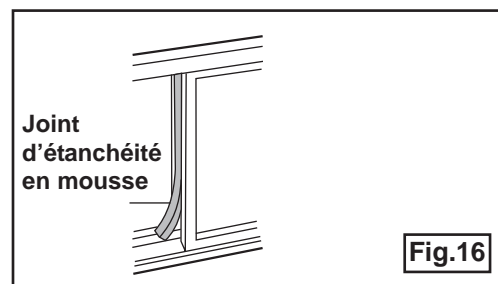
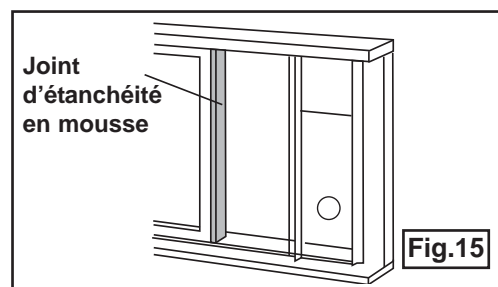
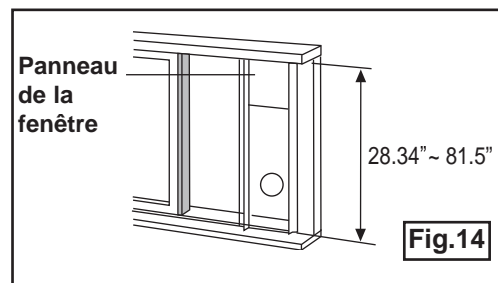
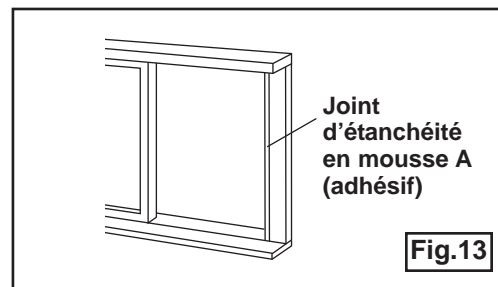




Installation

INSTALLATION DANS UNE FENÊTRE COULISSANTE

1. Coupez le joint d'étanchéité en mousse (adhésif) à la longueur appropriée et fixez-le au cadre de la fenêtre. Voir **fig. 13**.
2. Fixez la trousse de glissière pour fenêtre au rebord de la fenêtre. Ajustez la longueur de la trousse de glissière pour fenêtre en fonction de la hauteur de la fenêtre; raccourcissez la trousse réglable pour fenêtre si la hauteur de la fenêtre est inférieure à 28.3 pouces. Ouvrez le châssis de fenêtre et posez la trousse de glissière pour fenêtre sur le rebord de la fenêtre. Voir **fig. 14**.
3. Coupez le joint d'étanchéité en mousse (adhésif) à la longueur appropriée et fixez-le au dessus de la fenêtre. Tel qu'illustré dans la **fig. 15**.
4. Fermez bien la fenêtre coulissante.
5. Coupez le joint d'étanchéité en mousse à la longueur appropriée et scellez l'espace ouvert entre le châssis supérieur et le châssis extérieur de la fenêtre. Tel qu'illustré dans la **fig. 16**.





Installation

INSTALLATION DU TUYAU D'ÉVACUATION :

Le tuyau d'évacuation et l'adaptateur doivent être installés ou enlevés, selon le mode d'utilisation.

Modes REFROIDISSEMENT, CHAUFFAGE (thermopompe) ou AUTO	Installer
Mode VENTILATEUR, DÉSHUMIDIFICATION ou CHAUFFAGE	Enlever

1. Installez l'adaptateur d'évacuation pour fenêtre B dans le tuyau d'évacuation, tel qu'illustré dans la **fig. 17** ou la **fig. 18**. Reportez-vous aux pages précédentes pour l'installation de la trousse pour fenêtre.
 2. Insérez le tuyau d'évacuation dans l'ouverture de sortie de l'air, dans la direction de la flèche (**voir fig. 19**).
- La conduite peut être légèrement comprimée ou étirée selon les besoins de l'installation, mais il est préférable d'en réduire la longueur au minimum.

IMPORTANT

NE PAS TROP PLIER LA CONDUITE. (Voir fig. 21)

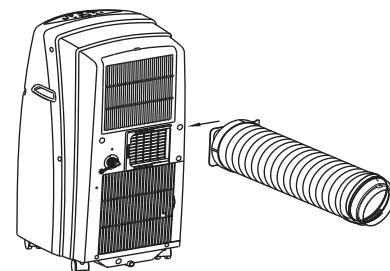


Fig.17



Fig.18

Fig.19





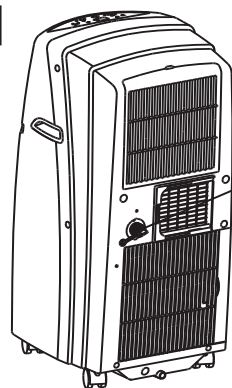
Installation

DRAINAGE DE L'EAU

- En mode déshumidification, enlevez le bouchon de drainage A de l'arrière de l'appareil et installez le raccord de drain (raccord femelle universel 5/8 po) sur un tuyau de ? po (acheté localement / pas inclus). Pour les modèles sans raccord de drain, fixez directement le tuyau à l'orifice. Placez l'extrémité ouverte du tuyau directement au-dessus du drain qui se trouve dans le plancher de votre sous-sol. Veuillez consulter les **Fig.22a, b et Fig.23**.
- Lorsque le niveau du plateau inférieur atteint une valeur prédéterminée, l'appareil émet 8 bips et l'afficheur indique « P1 ». Le processus de refroidissement ou de déshumidification s'arrête automatiquement. Toutefois, le moteur du ventilateur continue de fonctionner (c'est normal). Déplacez soigneusement l'appareil jusqu'à un lieu de drainage, enlevez le bouchon de drainage inférieur et laissez l'eau se vider (**fig. 24**). Remettez l'appareil en marche, jusqu'à ce que le symbole P1 disparaisse. Si l'erreur se reproduit, appelez l'atelier de réparation.

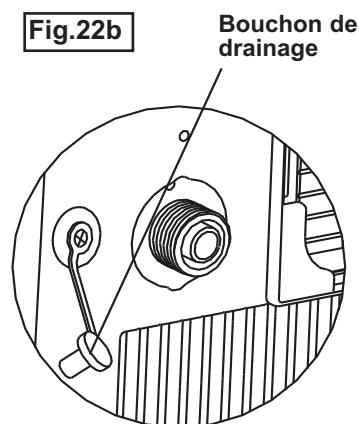
REMARQUE : Lors du fonctionnement ou du drainage de l'eau, protégez toujours les tapis et les planchers des renversements d'eau possibles.

Fig.22a



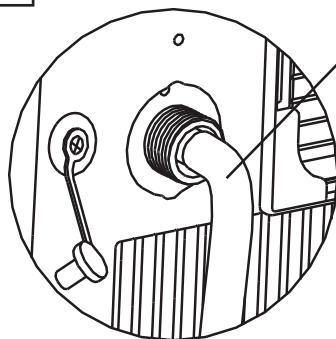
Enlever le bouchon de drainage

Fig.22b



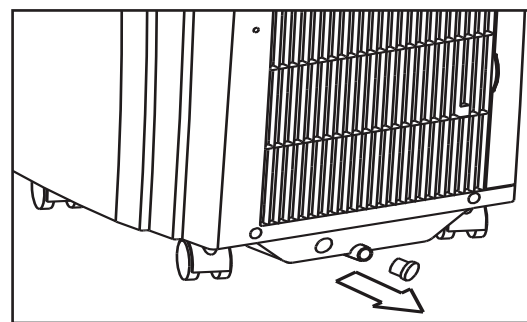
Bouchon de drainage

Fig.23



Tuyau de drainage continu

Fig.24





Soins et entretien

⚠ AVERTISSEMENT

- Veillez à débrancher l'appareil avant de le nettoyer ou de procéder à son entretien.
- N'utilisez pas d'essence, de diluant ou d'autres produits chimiques pour nettoyer l'appareil.
- Ne lavez pas l'appareil directement sous le robinet ou à l'aide d'un tuyau: vous pourriez vous électrocuter ou causer un incendie.
- Si le cordon d'alimentation est endommagé, il doit être réparé par le fabricant ou l'un de ses représentants de l'entretien.

FILTRE À AIR

Comme le filtre accumule et expulse de la poussière, il doit être nettoyé toutes les deux semaines pour assurer le fonctionnement de qualité supérieure du ventilateur.

RETRAIT DU FILTRE À AIR

Cet appareil dispose de deux filtres. Saisissez la languette du filtre du haut et le sortir dans la direction de la flèche comme indiqué sur la Fig. 25. Enlevez le filtre du bas en saisissant la languette du filtre et le sortir dans la direction de la flèche comme indiqué sur la Fig. 25.

NETTOYAGE DU FILTRE À AIR

- 1) Nettoyez le filtre à air en l'immergeant dans l'eau tiède (environ 40°C - 104°F) contenant un détergent doux.
- 2) Rincez le filtre et séchez-le dans un endroit ombragé.

REMPACEMENT

Après le nettoyage, installez les filtres à air du haut et du bas. Réinsérez-les dans la direction de la flèche. (voir la Fig. 26) *Avant d'installer, les filtres doivent être secs.

REMARQUE : Les grilles supérieures (inférieures) et les filtres à air supérieurs (inférieurs) sont reliés et peuvent être séparés.

ENCEINTE DE L'APPAREIL

ENTREPOSAGE À LONG TERME

Pour nettoyer l'enceinte de l'appareil, servez-vous d'un chiffon non pelucheux trempé dans un détergent neutre. Finissez le nettoyage en essuyant l'appareil avec un chiffon propre et sec.

- Enlevez le bouchon en caoutchouc qui se trouve à l'arrière de l'appareil, puis raccordez un tuyau à l'orifice de drainage. Placez l'extrémité ouverte du tuyau directement au-dessus du drain qui se trouve dans le plancher de votre sous-sol (voir page 30).
- Enlevez le bouchon de l'orifice de sortie inférieur : toute l'eau contenue dans le plateau inférieur se videra (voir page 30).
- Faites fonctionner l'appareil en mode VENTILATEUR pendant une demi-journée dans une pièce chaude pour sécher l'intérieur de l'appareil et empêcher la formation de moisissure.
- Arrêtez l'appareil et débranchez-le, enroulez le cordon et attachez-le au moyen du ruban adhésif. Retirez les piles de la télécommande.
- Nettoyez le filtre à air et remettez-le en place.

Fig.25

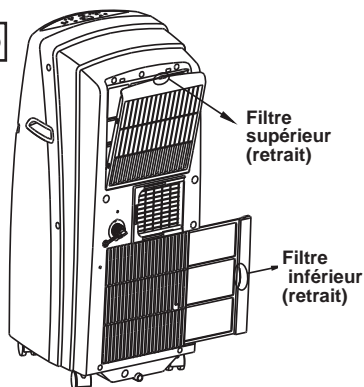
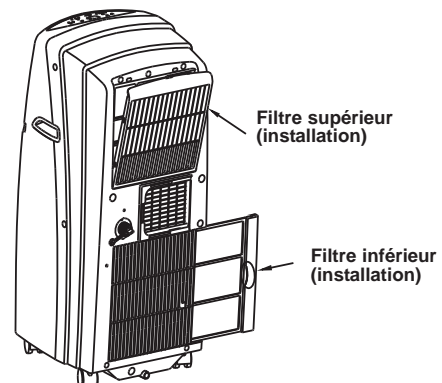


Fig.26



Dépannage

Il peut arriver qu'un problème mineur se produise qui ne nécessite pas d'appel de service. Consultez ce guide de dépannage pour trouver une solution possible. Si l'appareil continue de mal fonctionner, appelez un atelier de réparation autorisé ou le numéro sans frais de Danby, au **1-800-263-2629**, pour obtenir de l'assistance.

PROBLÈME	CAUSE POSSIBLE	SOLUTION
L'appareil ne se met pas en marche après une pression sur le bouton Marche/Arrêt	• P1 apparaît dans l'afficheur.	• Drainez l'eau du plateau inférieur.
	• La température de la pièce est inférieure à la température réglée. (mode refroidissement)	• Réglez la température à nouveau.
Pas assez frais	• Les portes ou les fenêtres de la pièce ne sont pas fermées.	• Assurez-vous que toutes les portes et les fenêtres sont fermées.
	• Il y a des sources de chauffage dans la pièce.	• Si possible, enlevez les sources de chaleur.
	• La conduite d'évacuation n'est pas raccordée ou est bloquée.	• Raccordez la conduite et assurez-vous qu'elle fonctionne correctement.
	• La température est réglée à une température trop élevée.	• Diminuez la température réglée.
	• Le filtre à air est bloqué par la poussière.	• Nettoyez le filtre à air.
Bruits ou vibrations	• Le sol n'est pas horizontal ou assez plat.	• Si possible, posez l'appareil sur une surface plate et horizontale.
Gargouillis	• Ce son provient du mouvement du fluide frigorigène dans le climatiseur.	• C'est normal.
Coupure de l'alimentation en mode Chauffage	• La fonction de protection automatique contre la surchauffe. Lorsque la température à la sortie d'air dépasse 70 °C/158 °F, l'appareil arrête de fonctionner.	• Remettez-le en marche après qu'il aura refroidi.

GARANTIE LIMITÉE SUR APPAREIL ÉLECTROMÉNAGER À DOMICILE

Cet appareil de qualité est garanti exempt de tout vice de matière première et de fabrication, s'il est utilisé dans les conditions normales recommandées par le fabricant.

Cette garantie n'est offerte qu'à l'acheteur initial de l'appareil vendu par Danby Products Limited (Canada) ou Danby Products Inc. (E.- U.A.) (ci-après « Danby ») ou par l'un des ses distributeurs agréés et elle ne peut être transférée.

CONDITIONS

Les pièces en plastique sont garanties pour trente (30) jours seulement à partir de la date de l'achat, sans aucune prolongation prévue.

Premiers 12 mois Pendant les premiers douze (12) mois, toutes pièces fonctionnelles de ce produit qui s'avèrent défectueuses seront réparées ou remplacées, selon le choix du garant, sans frais à l'acheteur INITIAL.

Pour bénéficiaire du service Le client sera responsable pour le transport et tous les frais d'expédition de tout appareil exigeant le service au dépôt de service autorisé le plus proche. S'adresser au détaillant qui a vendu l'appareil, ou à la station technique agréée de service la plus proche, où les réparations doivent être effectuées par un technicien qualifié. Si les réparations sont effectuées par quiconque autre que la station de service agréée où à des fins commerciales, toutes les obligations de Danby en vertu de cette garantie seront annulées.

Limites de l'entretien à domicile Si l'appareil est installé à plus de 100 kilomètres (62 milles) du centre de service le plus proche, il doit être livré à l'atelier de réparation autorisé par Danby le plus proche, car l'entretien doit uniquement être réalisé par un technicien qualifié et certifié pour effectuer un entretien couvert par la garantie de Danby. Les frais de transport entre votre domicile et le lieu de l'entretien ne sont pas couverts par la présente garantie et doivent être acquittés par l'acheteur.

Aucune partie de la garantie ne prévoit implicitement que le fabricant sera tenu responsable des dommages subis par les aliments ou d'autres types de contenu, qu'ils soient causés par la défectuosité de l'appareil ou par son usage adéquat ou inadéquat.

EXCLUSIONS

En vertu de la présente, il n'existe aucune autre garantie, condition ou représentation, qu'elle soit exprimée ou tacite, de façon manifeste ou intentionnelle, par Danby ou ses distributeurs agréés. De même, sont exclues toutes les autres garanties, conditions ou représentations, y compris les garanties, conditions ou représentations en vertu de toute loi régissant la vente de produits ou de toute autre législation ou règlement semblables. En vertu de la présente, Danby ne peut être tenue responsable en cas de blessures corporelles ou des dégâts matériels, y compris à l'appareil, quelle qu'en soit les causes. Danby ne peut pas être tenue responsable des dommages indirects dus au fonctionnement défectueux de l'appareil. En achetant l'appareil, l'acheteur accepte de mettre à couvert et de dégager Danby de toute responsabilité en cas de réclamation pour toute blessure corporelle ou tout dégât matériel causé par cet appareil.

CONDITIONS GÉNÉRALES

La garantie ou assurance ci-dessus ne s'applique pas si les dégâts ou réparations sont dus aux cas suivants :

- 1) Panne de courant.
- 2) Dommages subis pendant le transport ou le déplacement de l'appareil.
- 3) Alimentation électrique incorrecte (tension faible, câblage défectueux, fusibles incorrects).
- 4) Accident, modification, emploi abusif ou incorrect de l'appareil tel qu'une circulation d'air inadéquate dans la pièce ou des conditions de fonctionnement anormales (température extrêmement élevée ou basse).
- 5) Utilisation dans un but commercial ou industriel (à savoir, si l'appareil n'est pas installé dans un domicile résidentiel).
- 6) Incendie, dommages causés par l'eau, vol, guerre, émeute, hostilités, cas de force majeure (ouragan, inondation, etc.).
- 7) Visites d'un technicien pour expliquer le fonctionnement de l'appareil au propriétaire.
- 8) Installation inappropriée (par exemple, encastrement d'un appareil autoportant, ou utilisation extérieure d'un appareil non conçu à cet effet). Une preuve d'achat doit être présentée pour toute demande de réparation sous garantie. Prière de garder le reçu. Pour faire honorer la garantie, présenter ce document à la station technique agréée ou s'adresser à :

Service sous garantie
Service au domicile

Danby Products Limited
PO Box 1778, Guelph, Ontario, Canada N1H 6Z9
Téléphone : (519) 837-0920 Télécopieur: (519) 837-0449

1-800-263-2629
02/14

Danby Products Inc.
PO Box 669, Findlay, Ohio, U.S.A. 45840
Téléphone: (419) 425-8627 Télécopieur: (419) 425-8629



PORTABLE AIR CONDITIONER

All repair parts are available for purchase or special order when you visit your nearest service depot. To request service and/or the location of the service depot nearest you, call the TOLL FREE number.

When requesting service or ordering parts, always provide the following information:

- Product Type
- Model Number
- Part Number
- Part Description

CLIMATISEUR PORTATIF

Toutes les pièces de rechange ou commandes spéciales sont disponibles à votre centre de service régional autorisé. Pour obtenir le service et/ou la localité de votre centre de service régional, signalez le NUMÉRO D'APPEL SANS FRAIS.

Ayez les renseignements suivants à la portée de la main lors de la commande de pièce ou service:

- Type de produit
- Numéro de modèle
- Numéro de pièce
- Description de la pièce



1-800-26-**Danby**
(1-800-263-2629)

Model • Modèle
DPA085B1GB