

B20CS..

Operating, Care and Installation Instructions
Notice d'utilisation, de maintenance et d'installation
Instrucciones para la operación, cuidado y instalación



BOSCH

Contents

IMPORTANT SAFETY INSTRUCTIONS	3
Congratulations	4
Installation	5
Your new appliance	6
Switching on the appliance	8
Selecting the temperature	8
Switching off and disconnecting the appliance	9
Functions	9
Variable interior design	9
Fridge	10
Freezer compartment	11
Freezing and storing food	11
Automatic ice and water dispenser	12
Water filter	14
How to save energy	16
Operating noises	16
Defrosting	16
Cleaning the appliance	16
Eliminating minor faults yourself	17
Changing the bulb	19
Customer service	19
Installation instructions	20
Français	25
Español	52

IMPORTANT SAFETY INSTRUCTIONS

READ AND SAVE THESE INSTRUCTIONS!

WARNING

When using this appliance, always exercise basic safety precautions, including the following:

1. Use this appliance only for its intended purpose as described in this Owner's Manual.
2. This refrigerator must be properly installed in accordance with the Installation Instructions before it is used.
3. Persons with limited physical, sensory or mental abilities or insufficient knowledge must only use this appliance under supervision or after receiving extensive instructions.
4. Do not allow children to climb, stand or hang on the shelves in the refrigerator. They could seriously injure themselves and damage the refrigerator.
5. After your refrigerator is in operation, do not touch the cold surfaces in the refrigerator compartment, particularly when hands are damp or wet. Skin may adhere to these extremely cold surfaces.
6. Do not store or use gasoline or other flammable vapors and liquids in the vicinity of this or any other appliance.
7. In freezers with an automatic icemaker, avoid contact with the moving parts of the ejector mechanism, or with the heating element located on the bottom of the icemaker. Do not place fingers or hands on the automatic icemaking mechanism while the freezer is plugged in.

8. Unplug your refrigerator before cleaning and making repairs.
NOTE: We strongly recommend that any servicing be performed by a qualified individual.
9. Before replacing a burned-out light bulb, pull out the main plug or switch of the fuse to turn off the lights in order to avoid contact with a live wire filament.
10. A burned-out light bulb may break when being replaced.
NOTE: Setting the refrigerator temperature controls to **OFF** does not remove power to the light circuit.
11. Do not refreeze frozen foods which have thawed completely.

DANGER

RISK OF CHILD ENTRAPMENT

Child entrapment and suffocation are not problems of the past. Junked or abandoned refrigeration products are still dangerous... even if they will sit for "just a few days." If you are getting rid of your old appliance, please follow these instructions to help prevent accidents.

Before You Throw Away Your Old Refrigeration Product:

- Take off the doors.
- Leave the shelves in place so that children may not easily climb inside.

Electrical Connection

The appliance comes with an UL listed, 3-wire power supply cord.

The appliance requires a 3-wire receptacle.

The receptacle must be installed by a licensed electrician only.

Grounding instruction

This appliance must be grounded. In the event of a malfunction or breakdown, grounding will reduce the risk of electric shock by providing a path of least resistance for the electric current.

Improper connection of the equipment grounding conductor may result in electric shock. Have the appliance checked by a qualified electrician or service technician if you are in doubt as to whether the appliance has been properly grounded.

Some local regulations may require a separate ground. In such cases, the required accessory ground wire, clamp and screw must be purchased separately.

Never ground the appliance to plastic plumbing lines, gas lines or water pipes.

CFC DISPOSAL

Your old refrigerator may have a cooling system that used CFC's (chlorofluorocarbons). CFC's are believed to harm stratospheric ozone.

If you are throwing away an old refrigeration product, make sure the CFC refrigerant is removed for proper disposal by a qualified servicer. If you intentionally release this CFC refrigerant, you can be subject to fines and imprisonment under provisions of environmental legislation.

IMPORTANT

Save these instructions for local inspector's use. Observe all governing codes and ordinances.

Note to Installer – Be sure to leave these instructions with the Consumer.

Note to Consumer – Keep these instructions with your Owner's Manual for future reference.

Definitions

DANGER


DANGER – This indicates an **IMMINENTLY** hazardous situation which, if not avoided, will result in death or serious injuries.

WARNING

WARNING – This indicates a potentially hazardous situation which, if not avoided, could result in death or serious injuries.

CAUTION

CAUTION – This indicates a potentially hazardous situation which, if not avoided, may result in minor or moderate injury.

 This symbol is used to draw the user's attention to something in particular.

Congratulations

With the purchase of your new fridge-freezer you have opted for a modern, high-quality domestic appliance.

Your fridge-freezer is distinguished by its economical energy consumption.

Each appliance which leaves our factory is inspected thoroughly to ensure that it functions properly and is in perfect condition.

If you have any questions – particularly concerning installation and connection of the appliance – please do not hesitate to contact our customer service.

Further information and a selection of our products can be found on our home page.

Please read these operating instructions as well as the installation instructions and all information enclosed with the appliance and follow accordingly.

Retain all documents for subsequent use or for the next owner.

General requirements

The appliance is suitable

- for refrigerating food,
- for freezing food,
- for making ice.

The appliance is designed for domestic use.

Installation

⚠ CAUTION ⚠

Do not install the appliance:

- outdoors,
- in an environment with dripping water,
- in rooms which are at risk of frost.

The appliance is very heavy – move and install carefully.

Installation location

Install the appliance in a dry, well ventilated room. If installation near a heat source is unavoidable, use a suitable insulating plate or observe the following minimum distances to a heat source:

Observe the following minimum distances to heat sources:

- 1¹/₄" (3 cm) to an electric cooker.
- from an oil or solid-fuel cooker 11³/₁₆" (30 cm).

The floor on which the appliance is to be installed must be rigid. If required, reinforce the floor.

To ensure that the ice maker functions correctly, the appliance must be upright. Use a spirit level to align. To ensure that the doors can open all the way, observe lateral minimum distances when installing the appliance in a corner or recess (see section on "Appliance dimensions").

Observe ambient temperature and ventilation

The climatic class can be found on the rating plate and indicates the ambient temperatures at which the appliance can be operated.

Climatic class	Permitted ambient temperature
SN	50 °F to 89.6 °F (+10 °C to 32 °C)
N	60.8 °F to 89.6 °F (+16 °C to 32 °C)
ST	64.4 °F to 100.4 °F (+18 °C to 38 °C)
T	64.4 °F to 109.4 °F (+18 °C to 43 °C)

Ventilation

Never cover the ventilation openings in the base panel. Otherwise, the refrigerating unit must work harder and the power consumption is increased.

Electrical connection

⚠ WARNING ⚠

Electrical Shock Hazard

- Plug into a grounded 3 prong outlet.
- Do not remove ground prong.
- Do not use an adapter.
- Do not use an extension cord.

Failure to follow these instructions can result in death, fire, or electrical shock.

The appliance comes with an UL listed, 3-wire power supply cord.

The appliance requires a 3-wire receptacle.

The receptacle must be installed by a licensed electrician only.

⚠ WARNING ⚠

Improper connection of the equipment grounding conductor may result in electric shock. Have the appliance checked by a qualified electrician or service technician if you are in doubt as to whether the appliance has been properly grounded.

Water connection

Have a technician install the appliance and connect it to the water supply according to the enclosed installation instructions.

A cold water connection is required for operation of the automatic ice maker. The water pressure must be between 20 and 100 p.s.i. (1.4–6.9 bar).

The installation must comply with local plumbing regulations and local and state laws.

A separate shut-off valve must be installed for the appliance water connection.

The shut-off valve for the water connection must not be behind the appliance. It is recommended to place the shut-off valve directly next to the appliance (base unit) or in another easily accessible location.

Before switching on the appliance for the first time

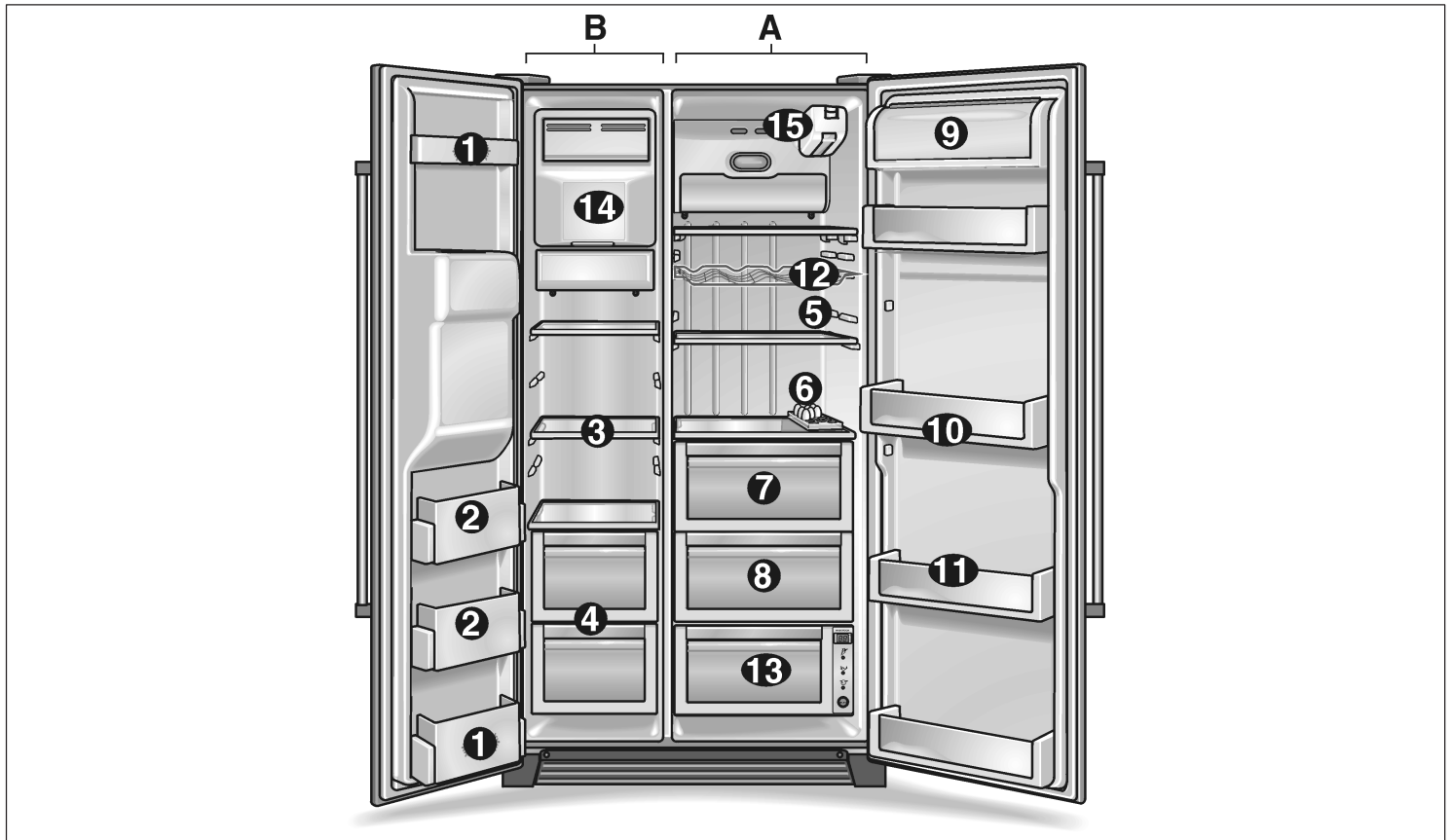
After installing the appliance, wait at least ½ hour before switching on the appliance. During transportation the oil in the compressor may have flowed into the refrigeration system.

Before switching on the appliance for the first time, clean the interior of the appliance (see "Cleaning the appliance").

i For more informations see the section "Installation instructions".

Your new appliance

These operating instructions refer to several models. The illustrations may differ.



A Refrigerator compartment

B Freezer compartment

1 Door storage compartment
for short-term storage of food and ice cream.

2 Door storage compartment
for storage of frozen food.

3 Glass shelves in freezer compartment
for storage of frozen food, e.g. meat, fish, ice cream.

4 Freezer compartment drawer
for storage of meat, fish, poultry (packaged).

5 Glass shelves in refrigerator compartment
for storage of cooked food, milk products.

6 Egg rack

7 Vegetable container

8 Fruit container

9 Butter and cheese compartment

10 Gallon rack

11 Door storage compartment
for storage of tinned food, bottles and jars.

12 Wine rack *

13 Temperature Controlled Drawer *
for optimum storage of fish, meat and poultry.

14 Ice maker

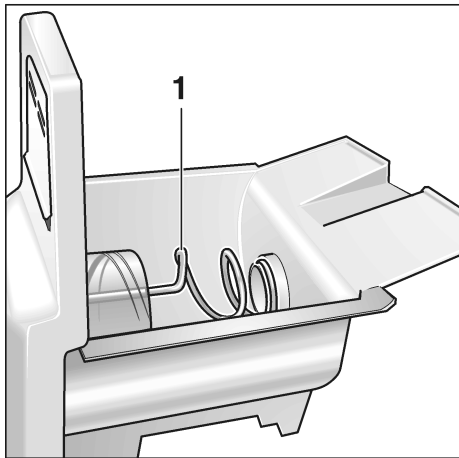
for production and storage of ice cubes

15 Water filter compartment

* not all models

i If some of the indicate parts are missing from your appliance, these parts belong to a different model.

Ice maker



1 Screw conveyor

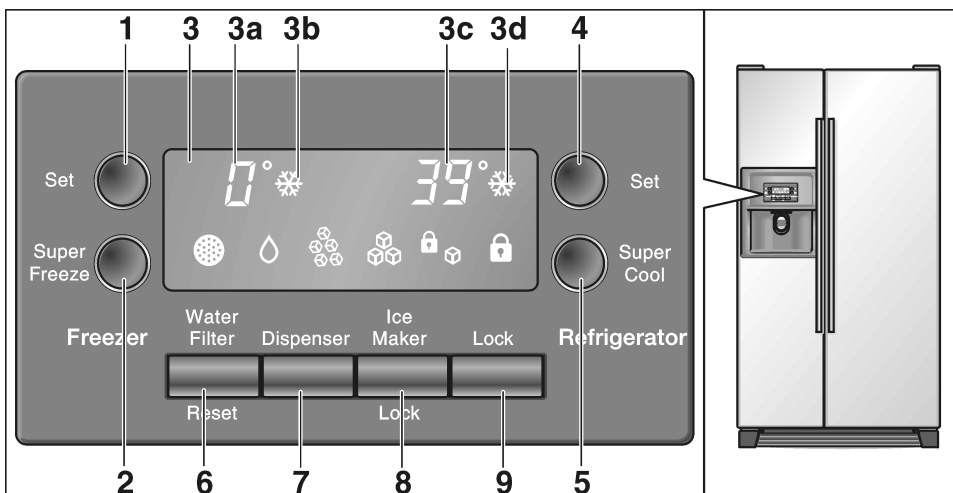
Ice and water dispenser



2 Dispenser pad

3 Water collecting tray

Control and display panel



1 Selection button for freezer compartment temperature

2 SUPERFREEZE™ button

3 Display panel

3a Temperature display, freezer compartment

3b Display for SUPERFREEZE™

3c Temperature display, refrigerator compartment

3d Display for SUPERCOOL™

4 Selection button for refrigerator compartment temperature

5 SUPERCOOL™ button

6 Reset button, water filter

7 Request button for water/ice







8 Lock button for ice maker

for cleaning or prolonged non-use of the ice maker.

9 Lock button for control panel (childproof lock)

Press button to prevent settings from being unintentionally changed. To release the button, press for 3 seconds. The display goes out.

Explanation of the symbols on the display panel

	“Filter change required” display After changing the filter, press the water filter reset button for approx. 5 seconds to switch off the display.		“Water” display
	“Ice maker locked” display		“Crushed ice” display
	“Control panel locked” display		“Ice cubes” display

Switching on the appliance

- ❑ Insert the main plug into a socket.

The appliance begins to cool down as soon as it is connected to the power supply. When the doors are open, the interior lights come on.

- i** The preset temperatures (factory settings) are reached after approx. 2 to 3 hours. Do not put any food in the appliance beforehand.

To change the set temperatures → see “Selecting the temperature”.

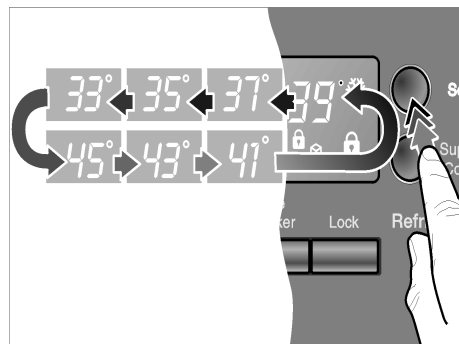
Selecting the temperature

The temperature for the refrigerator and freezer compartments can be adjusted separately. The set value is indicated on the display panel.

The factory setting for the refrigerator compartment is **39 °F (4 °C)**.

The factory setting for the freezer compartment is **0 °F (-18 °C)**.

To change the values:

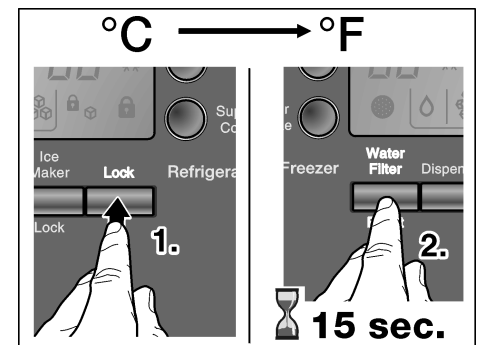


- ❑ Keep pressing the Selection button until the required temperature value is indicated.

The value last indicated is saved by the system.

Temperature unit

The temperature can be displayed in degrees Fahrenheit (°F) or degrees Celsius (°C).



- ❑ Press the **Lock** button (1.).
- ❑ Press and hold down the **Water Filter Reset** button for 15 seconds (2.).

Switching off and disconnecting the appliance

Switching off the appliance

- Pull out the main plug.

Disconnecting the appliance

If the appliance is not used for a prolonged period:

- Take all food out of the appliance.
- Cut off the water supply.
- Empty the ice cube container (see "Cleaning the appliance").
- Run off the remaining drinking water.
- Pull out the main plug.
- Remove the water filter.
- i** Before switching on the appliance again, install a new water filter!
- Clean the appliance interior (see "Cleaning the appliance").

To prevent odors, leave the doors open.

CAUTION

If there is a risk of frost, have a technician empty the water container for the drinking water dispenser (see installation instructions).

If moving house

Remove all detachable parts and pack each one carefully. Secure the doors and flaps with adhesive tape and transport the appliance in an upright position.

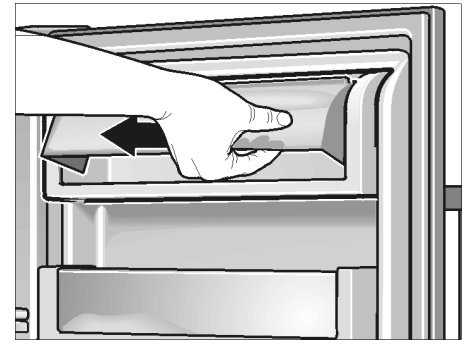
Functions

Door alarm

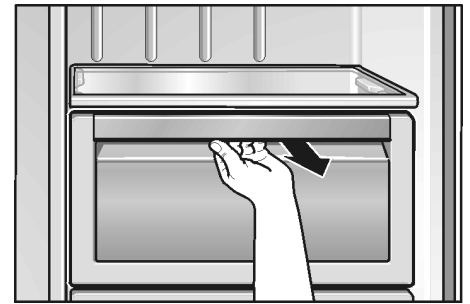
If refrigerator compartment door is left open, an alarm signal sounds after one minute and is repeated every 60 seconds for 5 minutes.

Interior light automatically switches off

If refrigerator compartment door is left open for longer than 10 minutes, the interior light automatically switches off to prevent overheating. This saves energy.



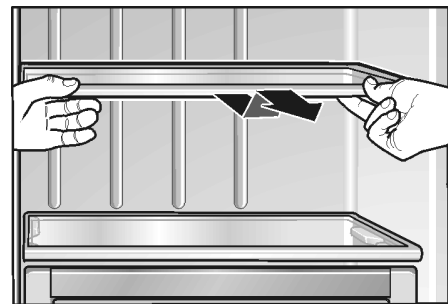
- Raise the cover slightly on the butter and cheese compartment, press to the **left** and remove.



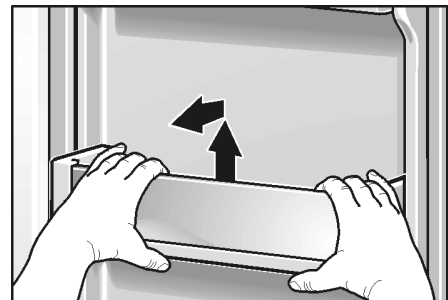
- Pull drawers forwards, raise slightly and remove.

Variable interior design

You can vary the shelves inside the appliance and the containers in the door to suit your requirements.



- Pull the shelf forwards and remove.



- Lift the container and remove.

Fridge

The refrigerator compartment can be adjusted between 33 °F to 45 °F (+1 °C and +7 °C). We recommend a setting of 39 °F (+4 °C).

Using the refrigerator compartment

For storage of cakes and pastries, ready meals, tinned food, condensed milk, hard cheese, fruit and vegetables sensitive to the cold: tropical fruit, e.g. mandarins, bananas, pineapples, melons, avocados, papayas, passion fruit, aubergines, also fruit which requires further ripening, tomatoes, cucumbers, green tomatoes, potatoes.

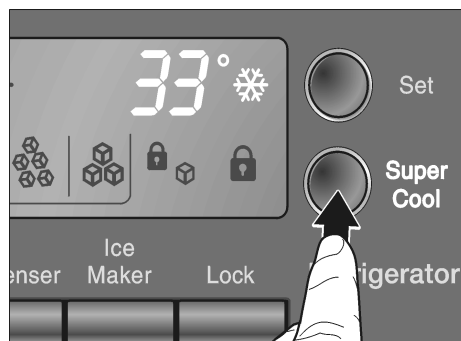
When storing food, comply with the following:

- Allow warm food and drinks to cool down outside the appliance.
- To prevent food from losing its flavor or drying out, place in airtight containers.
- Avoid contact of oil and fat with the plastic parts and door seal.
- Store high-percentage alcohol tightly closed and standing up, do not store any explosive substances in the appliance. Explosion hazard!

SUPERCOOL™

Function for rapid cooling of food or drinks which are to be stored in the refrigerator compartment.

The refrigerator compartment is cooled as cold as possible in SUPERCOOL™ mode.



- Press the **Super Cool** button.

Each time the button is pressed, the function is activated or deactivated. The activated “super cooling” function is indicated by the symbol on the display panel.

- **i** After approx. 40 minutes the appliance switches back to the temperature set before SUPERCOOL™.

Temperature Controlled Drawer

(not all models)

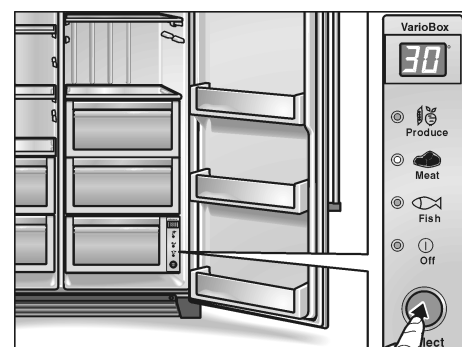
The temperature in this compartment is kept at almost 32°F (0 °C). This provides optimum storage conditions for fresh food.

- Produce: 38 °F (3 °C)
- Meat: 35 °F (2 °C)
- Fish: 32 °F (0 °C)

For optimum storage of food:

- Using the Selection button, select the appropriate food (produce/meat/fish).

The selection is indicated by a lit LED and temperature.



Note:

- In the “Off” position the compartment adopts the temperature of the compartment situated above.
- The displayed temperature is a required temperature. The temperature in the Temperature Controlled Drawer may deviate slightly.

Temperature unit

The temperature can be displayed in degrees Fahrenheit (°F) or degrees Celsius (°C).

- Press and hold down the **Select** button for 15 seconds.

Foods not suitable for the Temperature Controlled Drawer:

- Fruit and vegetables sensitive to the cold (tropical fruit, avocados, papayas, passion fruit, aubergines, cucumbers, peppers)
- Ripening fruit (green tomatoes, bananas)
- Potatoes
- Hard cheese

When buying food, please note:

The “purchase freshness” is important for the shelf-life of your food. In principle the following applies: the fresher the food is placed in the Temperature Controlled Drawer, the longer it will keep. When buying food, always note the degree of freshness.

Storage times at 32 °F (0 °C):

Depending on the initial quality	
Sausage, cold cuts, meat, offal, fish, fresh milk, curds	Up to 7 days
Small pieces of meat, fried sausage, mushrooms, lettuce, leafy vegetables	Up to 10 days
Large pieces of meat, ready meals	Up to 15 days
Smoked or cured sausage, cabbage	Up to 20 days
Large pieces of heat-treated meat, beef, game, pulses	Up to 30 days

Freezer compartment

The freezer compartment temperature can be set from 6 °F to -6 °F (-15 °C to -21 °C). We recommend a setting of 0 °F (-18 °C).

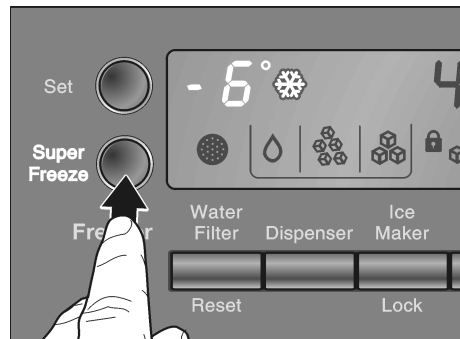
Use the freezer compartment:

- For storing deep-frozen food.
- to freeze food.
- to make ice cubes.

i Ensure that the freezer compartment door is always closed. If the door is open, the frozen food will thaw. The freezer compartment will become covered in thick ice. Also: Energy will be lost due to high power consumption.

SUPERFREEZE™

Fast freezing is used to freeze large quantities of fresh food and, depending on the quantity, must be switched on up to 24 hours before the food is placed in the freezer compartment. The freezer compartment is cooled as cold as possible in SUPERFREEZE™ mode.



- Press the **Super Freeze** button.

Each time the button is pressed, the function is activated or deactivated. The activated SUPERFREEZE™ function is indicated by the symbol on the display panel.

i After approx. 150 minutes the appliance switches back to the temperature set before SUPERFREEZE™.

Freezing and storing food

Storing deep-frozen food

When purchasing deep-frozen food, comply with the following:

- Check that the packaging is not damaged.
- Check the sell-by date.
- The temperature of the supermarket freezer should be 0 °F (-18 °C) or lower. If not, the storage life of the food is reduced.
- Purchase deep-frozen food last. Wrap in newspaper or place in a cold bag and take home.
- At home immediately place deep-frozen food in the freezer compartment. Use the deep-frozen food before the sell-by date runs out
- Do not refreeze thawed food. Exception: If you use the food to make a ready meal (boiling or frying), you can refreeze this ready meal.

Freezing food yourself

Freeze fresh, undamaged food only. To prevent food from losing its flavor or drying out, wrap the food in airtight film or place in containers. In order to retain the vitamins, nutritional value, appearance and flavor food should be frozen as quickly as possible. Do not exceed the max. freezing capacity.

How to wrap food correctly:

- Place the food in the wrapping.
- Press out all the air.
- Seal the wrapping.
- Label the wrapping with the contents and date.

The following products are not suitable for wrapping food:

Wrapping paper, greaseproof paper, cellophane, refuse bags and used shopping bags.

The following products are suitable for wrapping food:

Plastic film, polyethylene blown film, aluminium foil and freezer tins. These products can be purchased from a specialist outlet.

The following products are suitable for sealing the wrapped food:

Rubber bands, plastic clips, string, cold-resistant adhesive tape or similar.

Bags and polyethylene blown film can be sealed with a film sealer.

Freezing capacity

You can freeze up to 22 lbs (10 kg) of food within 24 hours.

Storage duration of the frozen food

The storage period depends on the type of produce.

At a mean temperature:

Fish, sausage, ready meals and cakes and pastries	up to 6 months
Cheese, poultry and meat	up to 8 months
Vegetables and fruit	up to 12 months

Thawing frozen food

Depending on the type of food and intended use, frozen produce can be thawed as follows:

- At room temperature
- In the refrigerator
- In an electric oven, with/without fan assisted hot-air
- In the microwave

i Do NOT refreeze food which is beginning to thaw or which has already thawed. The food cannot be refrozen until it has been prepared (boiled or fried).

No longer store the frozen produce for the max. storage period.

Automatic ice and water dispenser

- Cooled water
- Ice cubes
- Crushed ice

can be dispensed as required.

WARNING

Do not use fragile receptacles for dispensing water or ice – risk of injury from broken glass!

Keep fingers clear of the discharge opening.

Risk of injury from crusher blades!

i The ice and water dispenser will not function unless the appliance is connected to the power supply.

When switching on your new appliance, observe the following

When the appliance has been connected, there are still air bubbles in the lines.

Run off drinking water and pour away until water can be dispensed without bubbles. Pour away the first 5 glasses.

When using the ice maker for the first time, do not use the first 30–40 ice cubes for reasons of hygiene.

Operating the ice maker

When the freezer compartment has reached its freezing temperature, water flows into the ice maker and freezes into ice cubes. When the ice cubes are ready, they are automatically discharged into the ice cube container.

Occasionally the sides of the ice cubes stick together. When they are conveyed to the outlet opening, they usually break away from each other.

When the ice cube container is full, ice making switches off automatically.

The ice maker can make approx. 100 ice cubes within 24 hours.

Do not place any bottles or food for rapid cooling in the ice cube container. The ice maker may become blocked and be damaged.

When the appliance has been switched on, it takes approx. 24 hours until the first batch of ice cubes are ready.

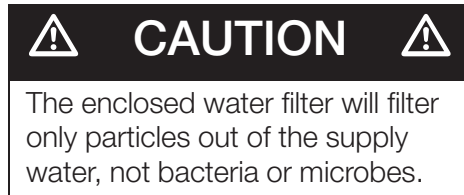
When ice cubes are being made, the buzzing water valve, the water flowing into the ice cube tray and the falling ice cubes can be heard.

Drinking water quality

All materials used in the drinks dispenser are odorless and tasteless.

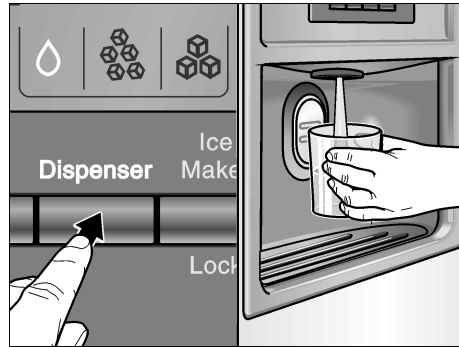
If the water has an aftertaste, this may be caused by:

- Mineral and chlorine content of the drinking water.
- Material of the domestic water line or connection line.
- Freshness of the drinking water (if water has not been dispensed for a long time, the water may have a "stale" taste. In this case dispense approx. 15 glasses of water and pour away).



Dispensing water

- Press the button until the symbol lights up.



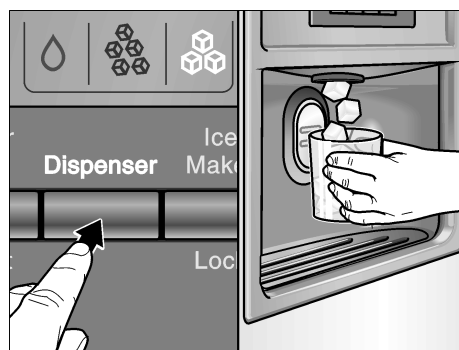
- Press the glass against the dispenser pad. The water stops running when the glass is removed from the pad.

Tip:

The water from the water dispenser is cooled to a palatable temperature. If you would like the water colder, place ice cubes in the glass before dispensing the water.

Dispensing ice

- Press the button until the symbol for ice cubes or crushed ice lights up.



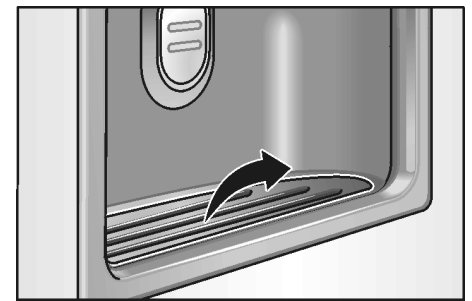
- Press a suitable receptacle against the dispenser pad.

Note:

- Remove the receptacle from the dispenser pad when it is approx. half full. Ice in the discharge may cause the receptacle to overflow or block the discharge.
- After switching over from ice cube removal to crushed ice, either whole ice cubes or parts of whole cubes could still be in the dispenser. These are discharged with the first portions of crushed ice.

Removing and cleaning the water collecting tray

Spilled water collects in the water collecting tray. The water collecting tray can be emptied and cleaned by pulling it out.



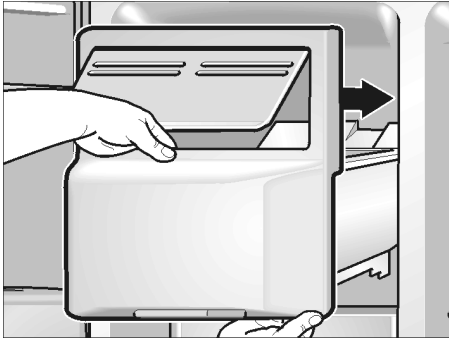
Removing and cleaning the ice cube container

If ice cubes have not been dispensed for a prolonged period, they will shrink, have a stale taste and stick together.

- Pull out the container, empty and clean with lukewarm water.
- Thoroughly dry the container and screw conveyor to prevent new ice cubes from sticking.

Inserting the ice cube container

- ❑ Push the ice cube container all the way back onto the supports until it locks into position.



- ❑ If the container cannot be pushed all the way back, twist the screw conveyor in the container.

Ice cube production continues.

Disconnecting the ice cube maker

If ice cubes are not to be dispensed for longer than 1 week (e.g. holiday), temporarily disconnect the ice cube maker to prevent the ice cubes from freezing together.



- ❑ Press the **Ice Maker Lock** button. The symbol lights up.
- ❑ Remove the ice cube container, empty and re-insert. Ensure that the ice cube container engages with the support.

Switching on the ice cube maker again:

- ❑ Press the **Ice Maker Lock** button. The symbol goes out.

Water filter

⚠ WARNING ⚠

To avoid serious illness or death, do not use water that is microbiological or chemical unsafe or of unknown quality without adequate disinfection or other treatment before or after use of filter.

Exchanging the filter

⚠ WARNING ⚠

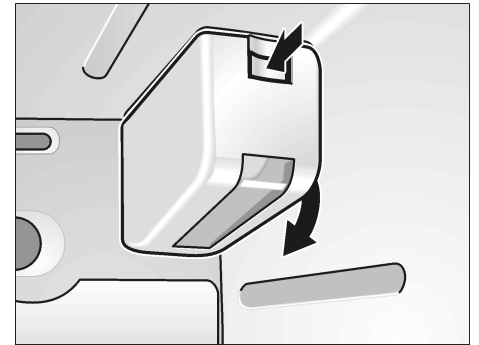
To avoid electrical shock which can cause severe personal injury or death, disconnect power to appliance before changing the filter. After changing, reconnect power.

⚠ WARNING ⚠

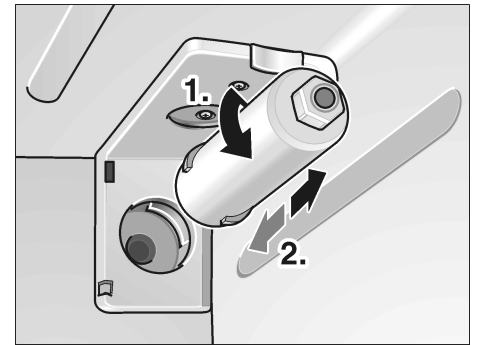
- After installing a new water filter always discard the ice production of the first 24 hours after switching on the icemaker.
- If ice has not been used for a prolonged time, discard all ice cubes in the bin and discard the ice production of the next 24 hours.
- If appliance or ice was not actively used for several weeks or months or ice cubes have an unpleasant taste or odor, change water filter.
- Air trapped in system may cause water and cartridge to eject. Use caution when removing.
- The filter should be changed at least every 6 months.

A new filter is available from customer service.

- ❑ Disconnect the water supply to the appliance.



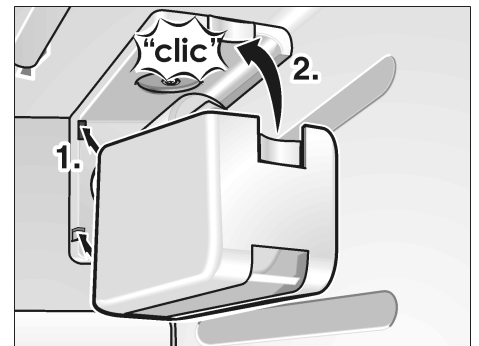
- ❑ Push the button and remove the cover from the water filter compartment.



- ❑ Rotate the filter cartridge by 90° gently in an anti-clockwise direction (1.) and remove the cartridge.

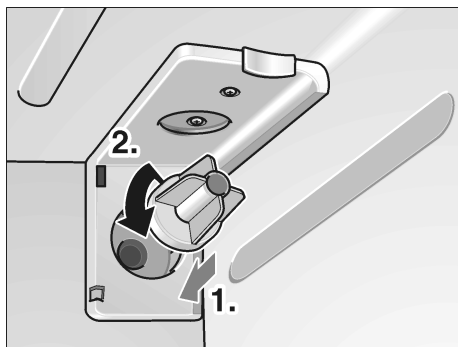
Take a new filter cartridge out of the packaging and remove the protective cap.

- ❑ Insert the new filter cartridge in the holder and rotate the filter cartridge by 90° gently in clockwise direction.



- ❑ Insert the cover of the water filter compartment.

i The appliance might be used without a water filter. If you choose this option replace the water filter by a bypass cap.



Filter – Product Data Sheet



Performance Data Sheet

Models CS-451/CS-452

These systems have been tested according to ANSI/NSF 42 for the reduction of the substances listed below. The concentration of the indicated substances in water entering the system was reduced to a concentration less than or equal to the permissible limit for water leaving the system as specified in ANSI/NSF 42.



System tested and certified by NSF International against ANSI/NSF Standard 42 for the reduction of Chlorine Taste and Odor.

Capacity: 1500 gallons (5,678 liters) depending on local water conditions.

Contaminant Reduction Determined by NSF Testing

Contaminant Reduction	Average Influent	NSF specified Influent challenge concentration	Avg. Product Water	Avg. % Reduction	NSF Reduction Requirements	NSF Test
Chlorine Taste and Odor	2.0	2.0 mg/L \pm 10%	0.28	86	\geq 50%	503821-01

For cold water use only.

Application Guidelines/Water Supply Parameters	
Service flow	0.5 gpm (1.89 lpm)
Water supply	Community or private well
Water pressure	25 - 125 psi (172 - 862 kPa)
Water temperature	40°F - 100°F (4.4°C - 38°C)

It is essential that operational, maintenance and filter replacement requirements be carried out for this product to perform as advertised. Change cartridges every 6 months. Flush new cartridge for 5 minutes. Use replacement cartridges CS-51 or CS-52.

Do not use with water that is microbiologically unsafe or of unknown quality without adequate disinfection before or after the system.

Systems must be installed and operated in accordance with manufacturer's recommended procedures and guidelines.

Warranty: See Warranty Card.

Note that while the testing was performed under standard laboratory conditions, actual performance may vary.

For service and parts contact your local dealer or:



CUNO Incorporated

400 Research Parkway
Meriden, CT 06450, USA
Toll Free: 1-888-218-CUNO
Worldwide: 203-237-5541
Fax: 203-238-8701
www.cuno.com

How to save energy

- ❑ Install the appliance in a cool, well ventilated room, but not in direct sunlight and not near a heat source (radiator, cooker, etc.). If required, use an insulating plate.
- ❑ Allow warm food and drinks to cool down before placing in the appliance!
- ❑ When thawing frozen food, place it in the refrigerator compartment. The low temperature of the frozen products cools the food in the refrigerator.
- ❑ Open and close the door as briefly as possible.

Operating noises

Normal noises

Humming – refrigerating unit is running. The fan in the circulating air system is running

Bubbling, gurgling or whirring noises – refrigerant is flowing through the tubing. Water flowing into the ice maker.

Clicking – motor is switching on or off. Solenoid valve on the water connection is opening or closing.

Rumbling – Ready ice cubes from the ice maker are falling into the ice cube container.

Noises which can be easily rectified

The appliance is not level

Please align the appliance with a spirit level. Use the height-adjustable feet or place something under the feet.

The appliance is touching adjacent units or appliances

Please move the appliance away from adjacent units or appliances.

Drawers, baskets or storage areas are loose or sticking

Please check the removable parts and, if required, reinsert them.

Receptacles are touching each other

Please move bottles or receptacles away from each other.

Defrosting

Defrosting is actuated automatically.

The water which occurs during defrosting runs down to the evaporation tray on the rear panel in the refrigerator and evaporates automatically.

Cleaning the appliance

WARNING

To avoid electrical shock which can cause severe personal injury or death, disconnect power to appliance before cleaning. After cleaning, reconnect power.

CAUTION

To avoid personal injuries or property damage, observe the following:

- Do not clean the appliance with a steam cleaner.
- Do not let the water used for cleaning drip onto the light or control panel.
- Do not use abrasive or acidic cleaning agents or solvents which may damage the surfaces of the appliance.
- Never clean shelves and containers in the dishwasher. The parts may warp.

- ❑ Clean the door seal with water only and then dry thoroughly.
- ❑ Clean the appliance with tepid rinsing water. The rinsing water must not drip onto the fascia or light.

Do not place the cold glass shelves directly from the freezer compartment into hot water.

Never clean the shelves or containers in the dishwasher. The parts may warp.

- ❑ After cleaning: insert the main plug or switch on the fuse.

WARNING

Never touch frozen food with wet hands. Your hands could freeze to the food. Risk of injury!

Never use a steam cleaner to clean the appliance. The steam may come into contact with live parts in the appliance and cause a short-circuit or electric shock. Steam may damage the plastic surfaces.

Eliminating minor faults yourself

Before you call customer service:

Please check whether you can eliminate the fault yourself based on the following information. Customer service will charge you for advice, even if the appliance is still under guarantee!

Refrigerator and freezer compartments

Fault	Possible cause	Remedial action
Appliance has no refrigerating capacity. The interior light is not functioning.	Power failure; the fuse has been switched off; the main plug has not been inserted properly.	Check whether the power is on, the fuse must be switched on.
The refrigerating unit is switching on more frequently and for longer.	Appliance door opened frequently.	Do not open the door unnecessarily.
	Large quantities of fresh food are being frozen.	Do not exceed max. freezing capacity.
	The ventilation openings have been covered.	Remove obstacles.
The temperature in the refrigerator or freezer compartment is too cold.	Temperature has been set too low.	Select a warmer temperature (see "Selecting the temperature").
The frozen food is frozen solid.		Loosen frozen food with a blunt object. Do not use a knife or pointed object.
There is a thick layer of frost in the freezer compartment.		Always ensure that the appliance door is closed.
The interior light is not functioning.	The bulb is defective.	Replace bulb (see "Changing the bulb").
	Light switch is sticking.	Check whether it can be moved.
The freezer compartment is no longer reaching the selected temperature.	The freezer compartment door was open too long. The evaporator (refrigeration generator) is covered in such a thick layer of ice that the fully automatic defrosting system is no longer able to defrost this amount of ice.	Take frozen food out of the appliance, insulate thoroughly and place in a cool location. After approx. 12 hours the ice in the refrigerating system has thawed. Switch on the appliance again and put back the frozen food. Note! To prevent loss of refrigeration, do not open the refrigerator compartment door unnecessarily often. If the fault cannot be rectified by means of the above information, please call customer service.

Water and ice dispenser

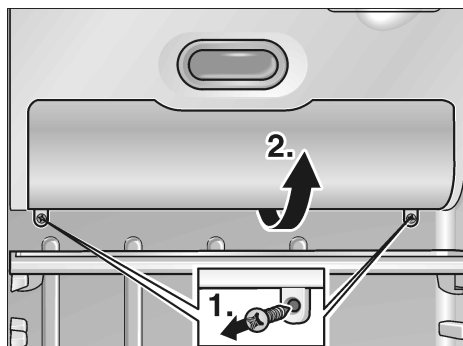
Fault	Possible cause	Remedial action
Despite prolonged operating time, ice cubes are not being dispensed.	Tap turned off.	Turn tap on.
	Water supply is interrupted. Water pressure too low.	Inform plumber.
	Ice maker is locked. The symbol is lit on the display panel.	Press the Ice Maker Lock button.
	Freezer compartment too warm.	Lower temperature in the freezer compartment (see "Selecting the temperature").
Ice cubes are in the ice cube container but are not being dispensed.	Ice cubes are frozen together.	Remove and empty the ice cube container.

Fault	Possible cause	Remedial action
Ice cubes are jammed in the outlet of the ice cube container or in the ice crusher.		Remove the ice cube container and rotate the screw conveyor by hand. Loosen any jammed chunks of ice with a wooden chopstick.
Ice cubes are watery.	Ice cubes have melted – power failure or the freezer compartment door was not closed properly.	Remove the ice cube maker, empty and rub dry.
Ice cubes are evaporating.		Cold air flowing over the ice cubes is causing shrinkage, particularly if consumption is low .This is normal.
The flap on the ice cube dispenser is not closing properly.	Ice cubes are preventing the flap from closing.	Remove ice cubes.
Ice cubes are sticking in the ice cube tray.	Limescale from the water may be forming in the trays.	Moisten a cloth with vinegar and wipe out the trays. If limescale is thick, always clean the trays when cleaning the refrigerator compartment.
Ice cubes are not the same size and there is water in the ice cube container.	The appliance is not level.	Align the appliance with a spirit level and with the height-adjustable rollers or feet (see Installation instructions).
Water dispenser is not functioning.	Tap turned off.	Turn tap on.
	Water supply is interrupted. Water pressure too low.	Inform plumber.
	Freezer compartment too warm.	Lower temperature in the freezer compartment (see “Selecting the temperature”).

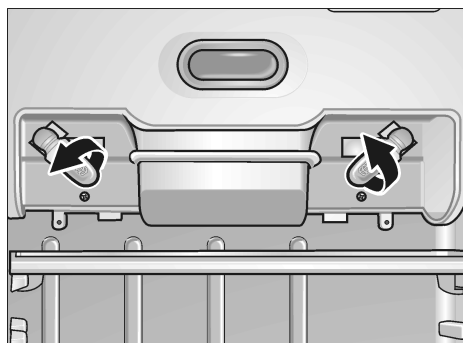
Changing the bulb

Changing the bulb inside the appliance

- ❑ **Attention:** Pull out the main plug or switch off the fuse!



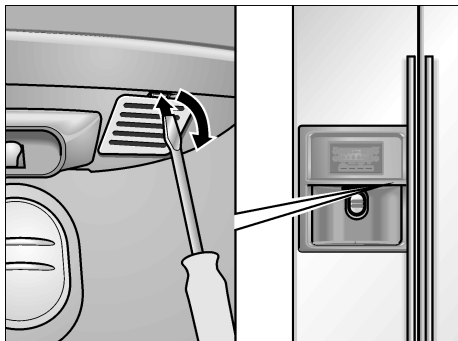
- ❑ Loosen 2 screws under the cover and remove the cover.
- ❑ Change the bulb. replacement bulb max. 25 W, 115 V a.c., E14 lampholder.



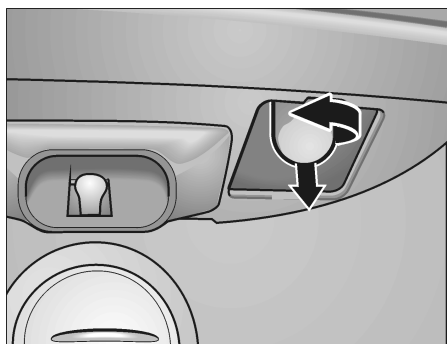
- ❑ Attach the cover.

Changing the bulb on the ice and water dispenser

- ❑ **Attention:** Pull out the main plug or switch off the fuse!
- ❑ Prise out the cover with a screwdriver.



- ❑ Change the bulb. replacement bulb max. 15 W, 115 V a.c., E14 lampholder.

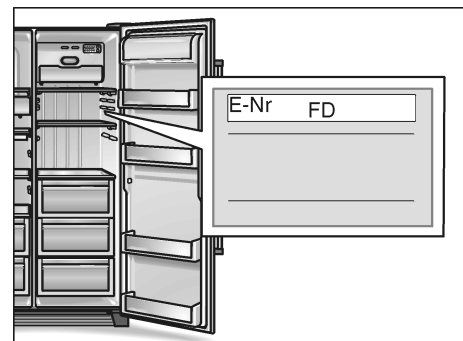


- ❑ Attach the cover.

Customer service

Your local customer service can be found in the telephone directory or in the customer-service index. Please provide customer service with the appliance product number (E-Nr.) and production number (FD).

This information can be found on the product label.



To prevent unnecessary call-outs, please assist customer service by quoting the product and production numbers. This will save you additional costs.

Installation instructions

Important information:

These installation instructions refer to various models.

Not all steps are required for some models.

The appliance should only be installed and connected by a recognized specialist according to these installation instructions.

Always connect the water before the power.

In addition to the statutory national regulations, observe the connection conditions of the electricity and water supply companies.

Keep the installation instructions in a safe place.

Installation location

Warning:

The appliance is very heavy, for empty weight see the following table.

Basic model	229 lbs (104 kg)
Model with dispenser	248.5 lbs (113 kg)

Install the appliance in a dry, well ventilated room. The installation location should neither be exposed to direct sunlight nor near a heat source, e.g. a cooker, radiator, etc.

If installation next to a heat source is unavoidable, use a suitable insulating plate or observe the following minimum distances to a heat source:

- 1 1/4" (3 cm) to an electric cooker.
- from an oil or solid-fuel cooker 11 3/16" (30 cm).

The floor on which the appliance is to be installed must be rigid. If required, reinforce the floor.

To ensure that the ice maker functions correctly, the appliance must be upright. To ensure that the doors can open all the way, observe lateral minimum distances when installing the appliance in a corner or recess (see section on "Appliance and installation dimensions").



- ❑ After installing the appliance, remove the transportation protection devices from the ice maker. To do this, pull out the ice maker.

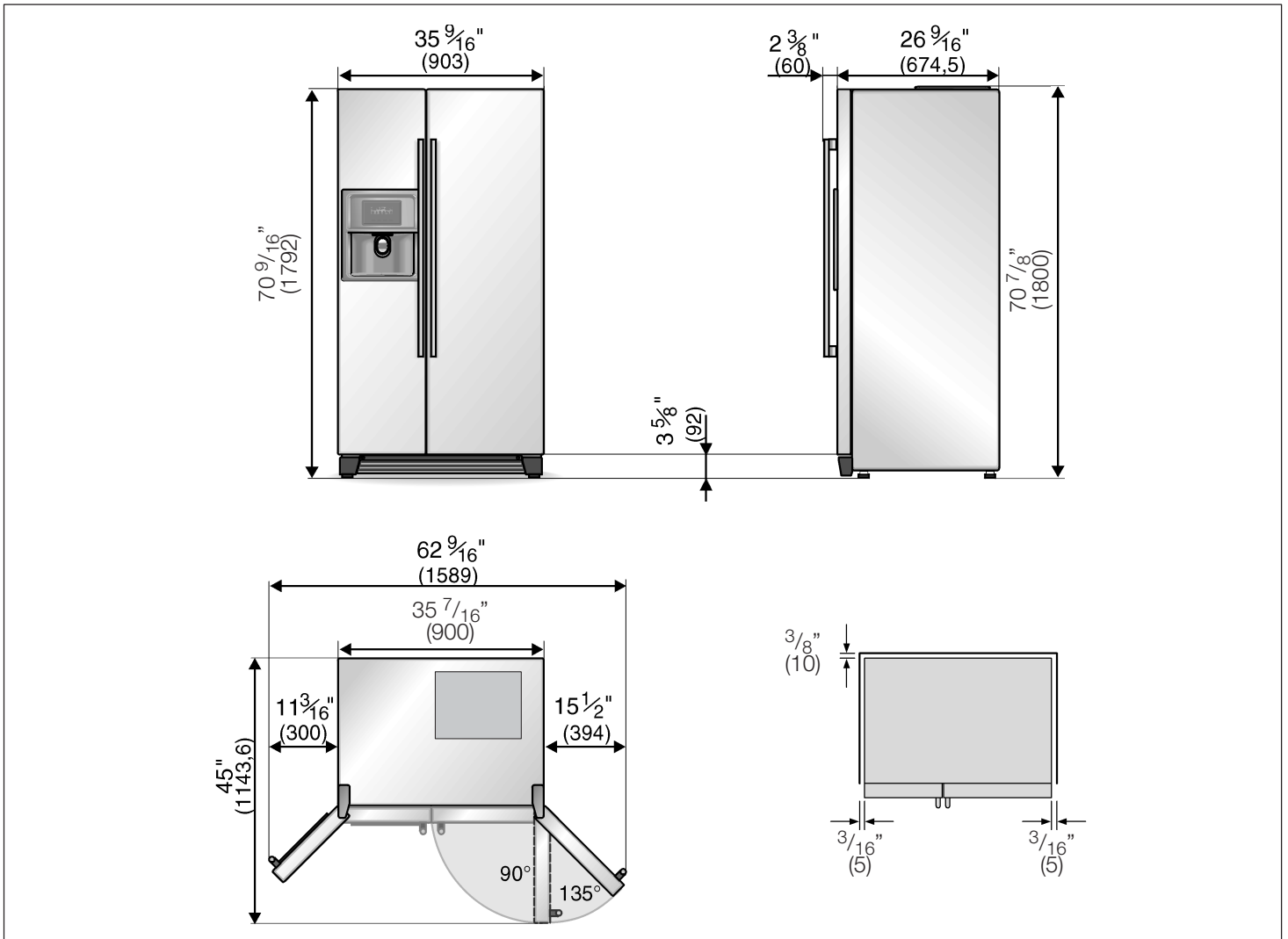
Warning:

Before connecting the appliance to the power supply, remove all the inner and outer packaging material.

Unpacking the appliance

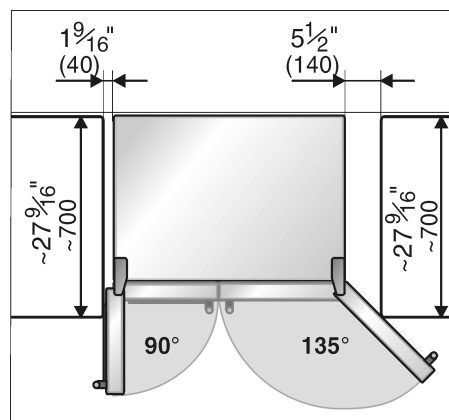
- ❑ Remove packaging material and adhesive tape. (Adhesive residue on the housing can be removed with the adhesive side of the removed tape. To do this, repeatedly place the adhesive tape on the adhesive residue and remove).
- ❑ Do not remove the transportation protection devices from the shelves and storage compartments until the appliance has been installed.

Appliance and installation dimensions



If the depth of the adjacent kitchen equipment is more than 23" (60 cm), observe lateral minimum distances in order to utilize the full door opening angle.

Door opening angle	Minimum distance
90°	$1 \frac{9}{16}$ " (40 mm)
135°	$5 \frac{1}{2}$ " (140 mm)



If a panel or cupboard is installed above the appliance, ensure that a gap is left so that the appliance can be pulled out of the recess if required.

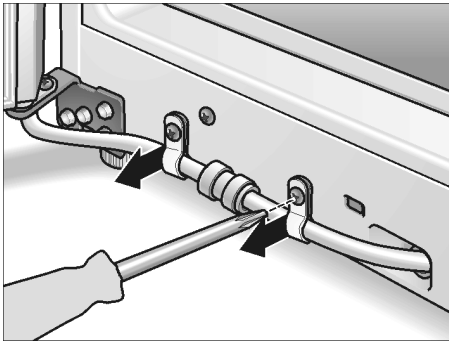
Unscrewing the doors

If the appliance will not fit through the house door, the appliance doors can be unscrewed.

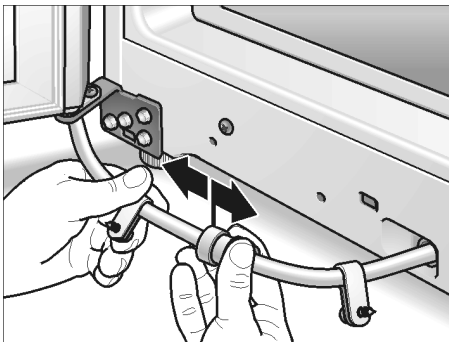
We recommend that installation is carried out by our customer service.

Unscrewing the freezer compartment door

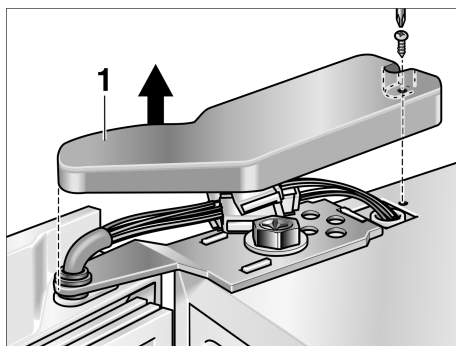
- Remove lower cover.
- Loosen the hose connection:



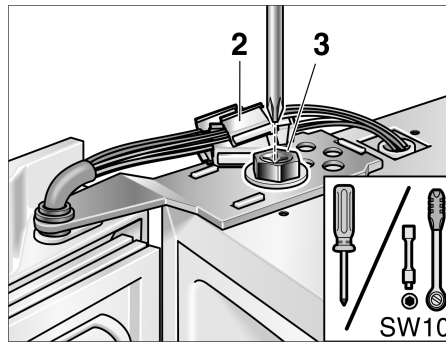
- Loosen the hose clips on the hose connection.



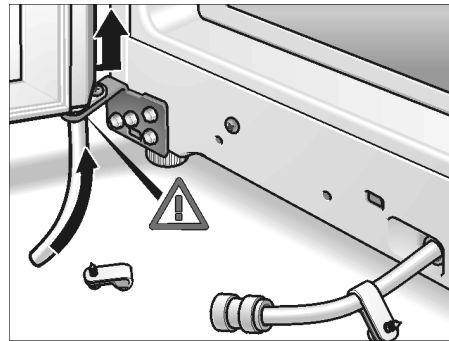
- Press the clamping ring in the direction of the arrow and simultaneously pull the hose out of the hose connection.



- Remove the upper hinge cover (1).



- Disconnect the electrical plug-and-socket connections (2).
- While holding the door, unscrew the hinge screw on top (3).



- Lift the door off the lower hinge pin.
- Remove and deposit the door with care! Do not damage the water line.**

Unscrewing the refrigerator compartment door

- Unscrew the refrigerator compartment door in the same way (the refrigerator compartment door does not feature any electrical plug-and-socket connections or hose connections).

Warning:

Before installing the doors in reverse sequence, ensure that the appliance is level in the installation location.

Connecting the appliance to the water supply

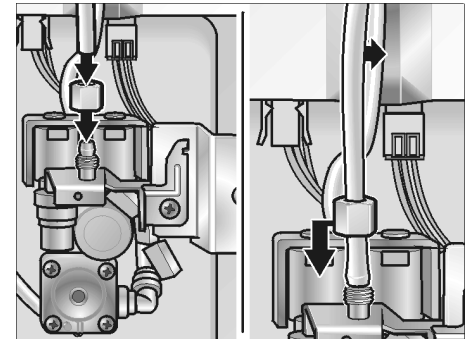
The water may be connected only by a competent fitter according to the local regulations of the appropriate water supply company.

Connect the appliance to a cold water line.

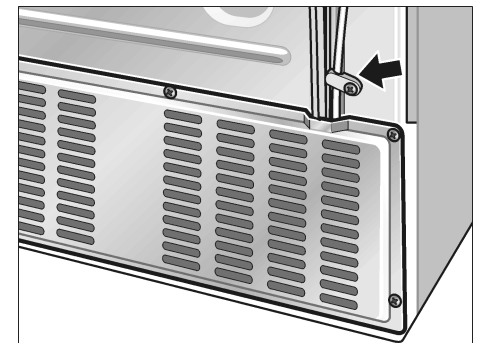
- Minimum pressure: 20 p.s.i. (1.4 bar)
- Maximum pressure up to 100 p.s.i. (6.9 bar)

The tap for connection of the water line should be freely accessible.

- Loosen the screws and remove the motor compartment cover.



- Connect the connecting line to the solenoid valve (1/4").
- Connect the connecting line to the tap.



- Using the clip, attach the connecting line to the rear panel of the appliance.
- Place the connecting line in loops or coils so that the appliance can be moved away from the wall.

Electrical connection

Do not use any extension cables or distributors. This appliance must be connected to a permanently installed socket.

Check on the rating plate whether the indicated voltage and current type correspond to the values of your mains supply. The rating plate is situated in the bottom left-hand side of the appliance. The power cord may be replaced by an electrician only.

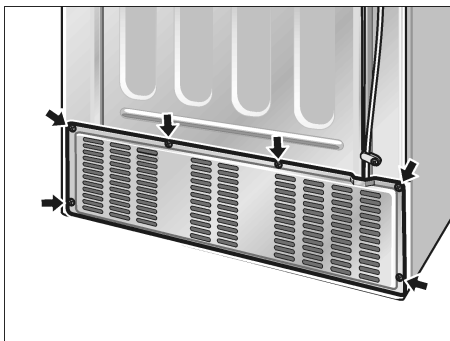
The socket to which the appliance is connected must be easily accessible.

Important!

When installing or changing the power cord, attach a cord grip.

Checking the water connection for leaks

- Switch on the appliance according to the enclosed operating instructions.
- Remove water according to the operating instructions. This will last several seconds as there is still air in the lines and water tank.
- Check all screw-on water connections for leaks on the appliance and on the water connection.
- After checking for leaks, pull out the main plug again and attach the motor compartment cover.

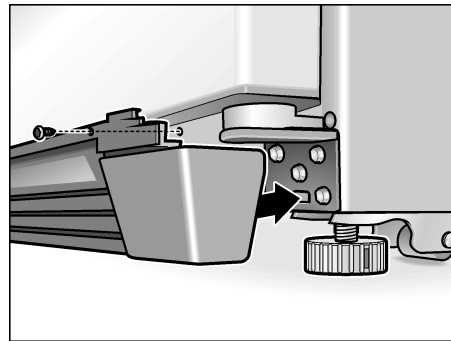


Aligning the appliance

To ensure that the appliance functions correctly, it must be set level with a spirit level.

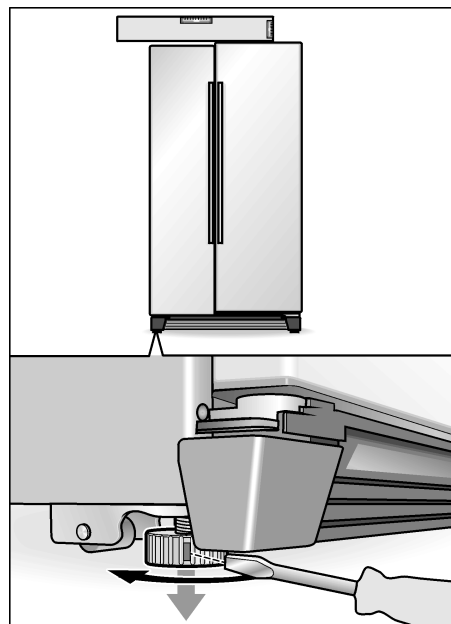
If the appliance is not level, water may flow out of the ice maker, ice cubes may be irregular or the doors may not close properly.

- Place the appliance in the designated location.

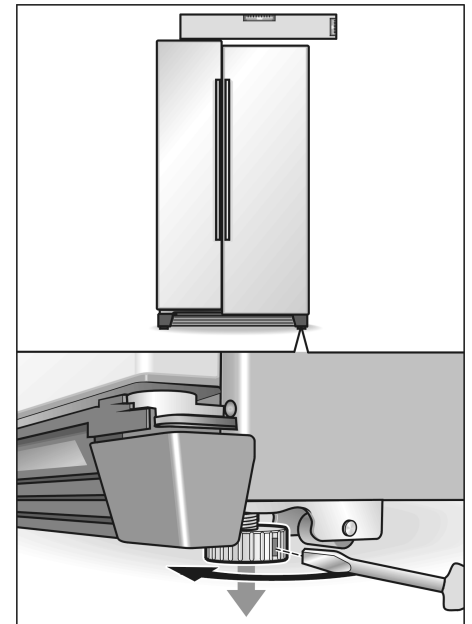


- Attach the enclosed base panel with 3 screws.
- To prevent the appliance from rolling away, screw down the front feet until they are positioned firmly on the floor.
- Rotate the feet until the appliance is aligned exactly. Use the doors as a reference point!

Freezer compartment door is deeper:

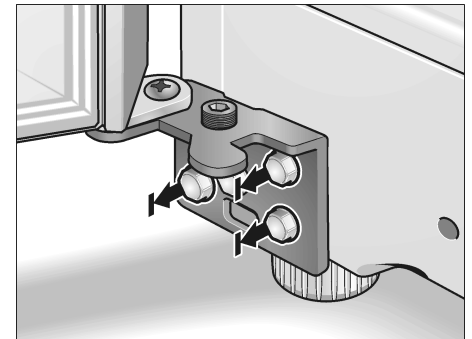


Refrigerator compartment door is deeper:

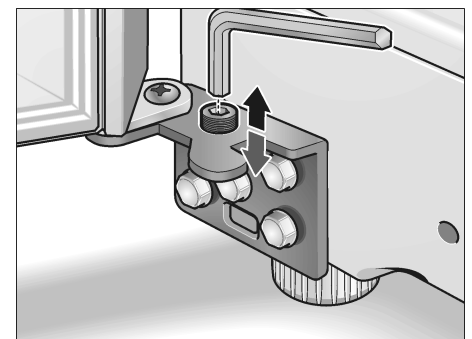


If the previous steps for aligning the door are not adequate:

- Remove the base panel.



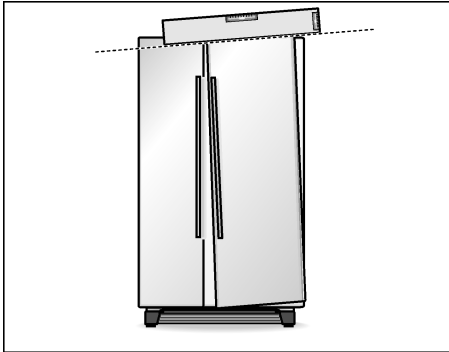
- Loosen 3 hinge screws. **Do not completely unscrew the screws!**
- Place the wrench on the adjusting screw:



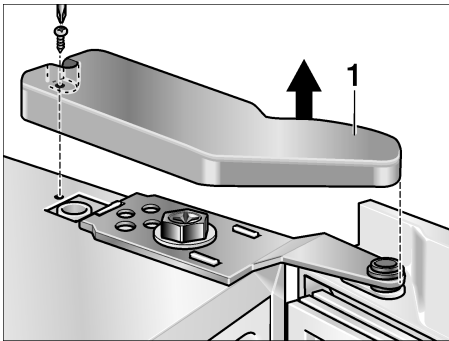
- To raise a door: Rotate the wrench clockwise.
- To lower a door: Rotate the wrench counter-clockwise.

Note:

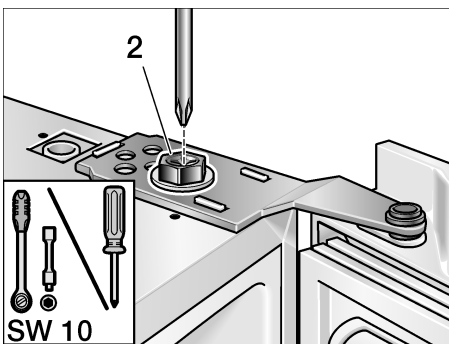
The refrigerator compartment door could tilt through its own weight and loading the door with food, even if the appliance itself stands upright. The gap in the door is uneven at the top and bottom.



- Remove the upper hinge cover (1).



- Loosen the hinge screw (2).
Do not completely remove the screw!



- Adjust the tilt of the refrigerator compartment door.
- Tighten the hinge screw.
- Fasten the hinge cover.

Switching on the appliance

Switch on the appliance according to the enclosed operating instructions.

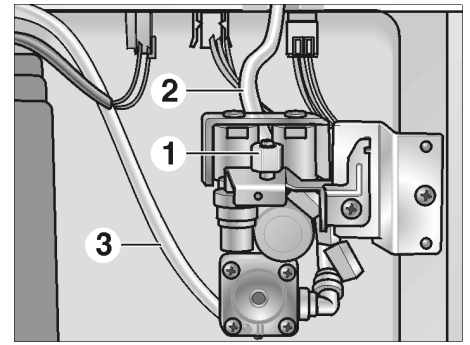
Disconnecting the appliance

Disconnect the appliance according to the enclosed operating instructions.

If the appliance is to be disconnected or stored at temperatures below freezing point, empty the water tank for the drinking water dispenser.

Emptying the water tank in the appliance

- Pull out the main plug.
- Cut off the water supply to the appliance.
- Remove the motor compartment cover from the rear of the appliance.
- Unscrew the connecting cable (1).
- Place a shallow water-collecting tray (capacity approx. 0.8 gallons (3 litres)) under the connection valve.



- Unscrew, drain and screw back hose (2) and then hose (3) on the appliance connection valve.
Important: Do not mix up the hose connections!
- After draining the water tank, re-attach the motor compartment cover.

Switch on the appliance and then turn on the tap.

Table de matières

INSTRUCTIONS DE SÉCURITÉ IMPORTANTES	26
Félicitations	28
Installation	28
Votre nouvel appareil	30
Enclenchement de l'appareil	32
Réglage de la température	32
Arrêt et remisage de l'appareil	33
Fonctions	33
Agencement variable du compartiment intérieur	33
Compartiment réfrigérant	34
Compartiment congélateur	35
Congélation et rangement	35
Distributeur automatique de glaçons et d'eau	36
Filtre à eau	38
Conseils pour économiser de l'énergie	41
Bruits de fonctionnement	41
Dégivrage	41
Nettoyage de l'appareil	42
Remédier soi-même aux petites pannes	43
Changement d'ampoule	45
Appeler le service après-vente	45
Instructions d'installation	46
English	2
Español	52



INSTRUCTIONS DE SÉCURITÉ IMPORTANTES

VEUILLEZ LIRE ET CONSERVER CES INSTRUCTIONS !

AVERTISSEMENT

Lorsque vous utilisez cet appareil, veuillez toujours prendre des précautions de base, y compris les suivantes :

1. N'utilisez cet appareil que dans le but prévu tel que décrit dans le présent manuel de l'utilisateur.
2. Avant utilisation, ce congélateur devra être correctement installé en conformité avec les instructions d'installation.
3. Les personnes souffrant de déficiences physiques, sensorielles ou intellectuelles ou dont l'expérience et les connaissances sont insuffisantes, ne peuvent utiliser l'appareil que sous la surveillance d'une tierce personne ou à l'aide d'une notice plus exhaustive.
4. Ne permettez jamais aux enfants de se servir des clayettes comme marchepieds, de s'y tenir debout dessus ou de s'y suspendre. Ils risqueraient d'endommager le congélateur et de se blesser gravement.
5. A partir du moment où votre congélateur fonctionne, ne touchez plus les surfaces froides à l'intérieur du compartiment, ceci surtout si vos mains sont humides ou mouillées. La peau risquerait de rester collée sur ces surfaces extrêmement froides.
6. Ne stockez ni n'utilisez pas d'essence ou d'autres liquides et vapeurs inflammables à proximité de cet appareil et de tout autre.

7. Dans les congélateurs équipés d'un distributeur automatique de glaçons, évitez de toucher les pièces mobiles du mécanisme éjecteur, ou l'élément chauffant situé au fond du distributeur de glaçons. Ne placez pas les doigts ou les mains sur le mécanisme de confection automatique de glace tant que la fiche mâle du congélateur est reliée à une prise de courant.
8. Débranchez votre congélateur avant de nettoyer l'appareil ou de faire des réparations.
REMARQUE : nous recommandons vivement que toute opération de service après-vente soit réalisée par un technicien qualifié.
9. Avant de remplacer une ampoule grillée, débranchez la fiche mâle de la prise secteur ou coupez le fusible / disjoncteur pour mettre l'éclairage hors tension et supprimer ainsi le risque de toucher un fil sous tension.
10. Une ampoule grillée peut se briser pendant que vous la remplacez.
REMARQUE : le fait de ramener le thermostat du congélateur sur **OFF** ne met pas le circuit d'éclairage hors tension.
11. Ne recongelez pas les produits alimentaires que vous avez fait entièrement décongeler.

DANGER

RISQUE D'ENFERMEMENT POUR LES ENFANTS

Les enfants risquent de s'enfermer et de s'asphyxier dans l'appareil. Il ne s'agit pas de problèmes du passé. Les appareils de réfrigération mis au rebut ou abandonnés demeurent dangereux-même s'ils ne sont là «que pour quelques jours». Si vous êtes en train de vous débarrasser de votre ancien appareil, veuillez suivre les présentes instructions et vous contribuerez ainsi à prévenir des accidents.

Avant de mettre votre ancien réfrigérateur au rebut :

- Enlevez ses portes.
- Laissez les clayettes à l'intérieur pour empêcher que les enfants puissent pénétrer facilement dedans.

Branchement électrique

L'appareil est livré avec un cordon d'alimentation électrique à trois fils et figurant dans la liste UL aux USA.

Cet appareil requiert d'être raccordé à une prise femelle à trois fils.

L'installation de cette prise est une opération exclusivement réservée à un électricien agréé.

Instructions de raccordement à la terre

Cet appareil devra être relié à la terre. En cas de dysfonctionnement ou de panne, le raccordement réduit le risque de choc électrique en fournissant au courant un chemin de moindre résistance électrique.

Un branchement incorrect du fil de raccordement à la terre peut occasionner un choc électrique. Si vous n'êtes pas sûr que l'appareil est correctement relié à la terre, faites-le vérifier par un électricien agréé ou un technicien du service après-vente.

Certaines réglementations locales peuvent exiger un raccordement à part à la terre. En pareils cas, vous devrez acheter séparément les accessoires requis : le fil de terre, la bride et la vis.

Ne raccordez jamais l'appareil à des conduites en plastique, conduites de gaz ou conduites d'eau.

MISE AU REBUT DES CFC

Votre ancien congélateur était peut-être équipé d'un système de refroidissement qui faisait appel à des CFC (chlorofluorocarbones). Les CFC sont soupçonnés d'endommager la couche stratosphérique d'ozone.

Lorsque vous vous débarrassez d'un ancien réfrigérateur, assurez-vous au préalable que le fluide réfrigérant à base de CFC en sera retiré ou qu'il sera éliminé, dans les deux cas par un technicien de service qualifié. Le rejet intentionnel de fluide réfrigérant à base de CFC dans l'atmosphère vous expose à des amendes et peines d'emprisonnement en vertu des dispositions prévues par la législation.

IMPORTANT

Veillez conserver ces instructions pour usage par l'inspecteur local. Veillez observer tous les règlements et ordonnances.

Remarque à l'intention de l'installateur – Veillez bien à laisser les présentes instructions au client.

Remarque à l'intention du consommateur – Veillez conserver les présentes instructions avec votre manuel de l'utilisateur. Ils vous permettront de vous y reporter ultérieurement.

Définitions

DANGER


DANGER – Cette mention précède une instruction assortie d'un danger de mort ou de blessures graves si vous ne respectez pas son contenu.

AVERTISSEMENT

AVERTISSEMENT – Cette mention précède une instruction assortie d'un risque de blessures ou de dégâts considérables si vous ne respectez pas son contenu.

PRUDENCE

PRUDENCE – Cette mention précède une instruction assortie d'un risque de blessures légères ou de dégâts si vous ne respectez pas son contenu.

 Ce symbole sert à attirer votre attention sur un aspect particulier.

Félicitations

Avec l'achat de ce réfrigérateur-congélateur, vous venez d'opter pour un appareil électroménager moderne et de haute qualité.

Ce réfrigérateur-congélateur se distingue par une consommation économique d'électricité.

Chaque appareil subit, avant de quitter notre usine, des contrôles fonctionnels destinés à vérifier qu'il se trouve dans un état impeccable.

Si vous souhaitez demander des précisions, notamment en ce qui concerne l'installation et le raccordement de l'appareil, notre service après-vente se tient à votre disposition.

Pour obtenir des informations avancées et découvrir un choix de nos produits, rendez-vous à notre site Internet.

Veuillez lire la présente notice d'utilisation, les instructions d'installation ainsi que toutes les informations accompagnant votre appareil, et les respecter.

Rangez soigneusement ces documents pour les consulter à nouveau plus tard, ou pour les remettre au futur nouveau propriétaire de l'appareil.

Information générale

Cet appareil convient pour :

- Réfrigérer des produits alimentaires.
- A congeler des produits alimentaires.
- Fabriquer des glaçons.

Cet appareil a été uniquement conçu pour une utilisation domestique.

Installation

PRUDENCE

N'installez pas cet appareil

- en plein air,
- dans un environnement très humide
- dans des pièces exposées au risque de gel.

L'appareil est très lourd.

Local d'installation

Un local sec et aérable convient pour installer l'appareil. Veillez à ce que l'emplacement ne soit pas directement exposé aux rayons solaires et qu'il ne se trouve pas à proximité d'une source de chaleur (par ex. une cuisinière, un radiateur, etc.). Si l'installation près d'une source de chaleur est inévitable, utilisez un panneau isolant approprié ou respectez les distances minimales suivantes par rapport à la source de chaleur :

Veillez respecter les distances minimales suivantes par rapport à la source de chaleur :

- 1¹/₄" (3 cm) par rapport à une cuisinière électrique,
- 11³/₁₆" (30 cm) par rapport à un appareil de chauffage au fuel ou au charbon.

Le sol sur le lieu d'installation ne doit pas s'affaisser. Renforcez-le le cas échéant.

Afin que le distributeur de glaçons fonctionne impeccablement, l'appareil doit se trouver parfaitement à la verticale. Pour aligner l'appareil, utilisez un niveau à bulle. Si l'appareil a été installé dans une niche ou dans un coin de la pièce, maintenez un écart minimum pour pouvoir ouvrir les portes jusqu'à la butée (voir les dimensions de l'appareil).

Contrôler la température ambiante et l'aération

La catégorie climatique de l'appareil figure sur sa plaque signalétique. Elle indique les températures ambiantes dans lesquelles l'appareil peut fonctionner.

Catégorie climatique	Température ambiante admissible
SN	50 °F à 89.6 °F (+10 °C à 32 °C)
N	60.8 °F à 89.6 °F (+16 °C à 32 °C)
ST	60.8°F à 100.4 °F (+16°C à 38 °C)
T	60.8 °F à 109.4 °F (+16 °C à 43 °C)

Ventilation

Ne recouvrez en aucun cas les orifices d'entrée et de sortie d'air situés contre le bandeau du socle. Dans le cas contraire, le groupe frigorifique fonctionne plus longtemps, ce qui hausse la consommation de courant.

Raccordement à l'alimentation électrique

AVERTISSEMENT

Risque de choc électrique

- Branchez la fiche mâle à 3 broches de l'appareil dans une prise à 3 orifices femelles reliée à la terre.
- Ne retirez pas la broche de raccordement à la terre.
- N'utilisez pas d'adaptateur.
- N'utilisez pas de prolongateur.

Le non-respect de ces instructions s'assortit d'un danger de mort, d'incendie ou de choc électrique.

L'appareil est livré avec un cordon d'alimentation électrique à trois fils et figurant dans la liste UL aux USA.

Cet appareil requiert d'être raccordé à une prise femelle à trois fils.

L'installation de cette prise est une opération exclusivement réservée à un électricien agréé.



AVERTISSE- MENT



Un branchement incorrect du fil de raccordement à la terre peut occasionner un choc électrique. Si vous n'êtes pas sûr que l'appareil est correctement relié à la terre, faites-le vérifier par un électricien agréé ou un technicien du service après-vente.

Raccordement de l'eau

Il faut un raccordement à l'eau froide pour que le distributeur automatique de glaçons puisse fonctionner.

La pression de l'eau doit être comprise entre 20 et 100 p.s.i. (1.4 et 6.9 bar).

L'installation doit se conformer aux règlements locaux en matière de plomberie ainsi qu'à la législation locale et celle de votre État.


Dans le cadre du raccordement de l'eau à l'appareil, il faut installer une vanne de fermeture séparée.

Cette vanne de fermeture ne doit pas se trouver derrière l'appareil. Il est recommandé de la placer directement à côté de l'appareil (unité de base) ou en tout autre endroit facile d'accès.

Installation et raccordement de l'appareil

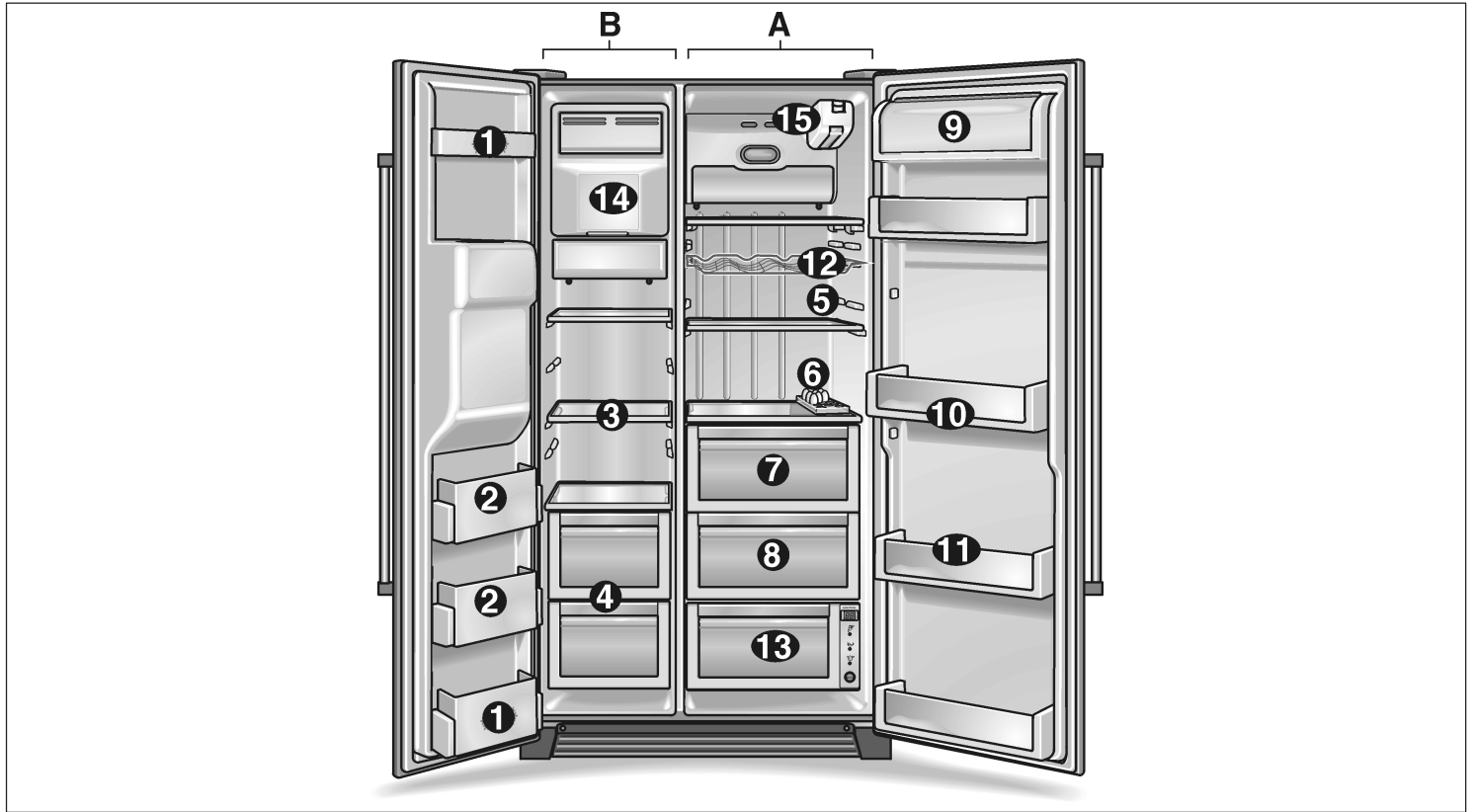
Après l'installation de l'appareil en position verticale, attendez au moins ½ heure avant de le mettre en service. Il peut en effet arriver, pendant le transport, que l'huile présente dans le compresseur se déplace vers le circuit frigorifique.

Nettoyez le compartiment intérieur de l'appareil avant la première mise en service (voir «Nettoyage de l'appareil»).

 Pour plus d'informations voir la section «Instructions de montage».

Votre nouvel appareil

La présente notice d'utilisation vaut pour plusieurs modèles. Selon le modèle, l'appareil peut différer du contenu des illustrations.



A Compartiment réfrigérateur

B Compartiment congélateur

1 Support en contre-porte

Pour ranger brièvement des produits et glaces alimentaires.

2 Supports en contre-porte

Pour ranger des produits alimentaires congelés

3 Clayettes en verre du compartiment congélateur

Pour ranger des produits congelés comme par ex. la viande, le poisson, les glaces alimentaires.

4 Tiroir du compartiment congélateur

Pour ranger la viande rouge, le poisson, et la volaille (emballés)

5 Clayettes en verre du compartiment réfrigérateur

Pour ranger des aliments cuits, produits laitiers.

6 Balconnet à œufs

7 Bac à légumes

8 Bac à fruits

9 Casier à beurre et à fromage

10 Support pour récipients d'un gallon

11 Supports en contre-porte

Pour ranger des conserves, de la viande et des bocaux.

12 Clayettes à bouteilles de vin *

13 Tiroir à température contrôlée (TCD) *

pour un rangement optimal du poisson, de la viande, de la volaille et des légumes

14 Distributeur de glaçons

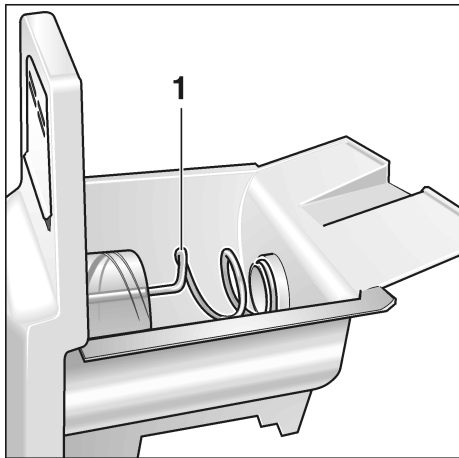
– Pour confectionner et conserver les glaçons.

15 Compartiment du filtre à eau

* selon le modèle

i Si certaines des pièces indiquées ne figurent pas sur votre appareil, c'est qu'elles se réfèrent à d'autres modèles.

Distributeur de glaçons



1 Vis sans fin de transport

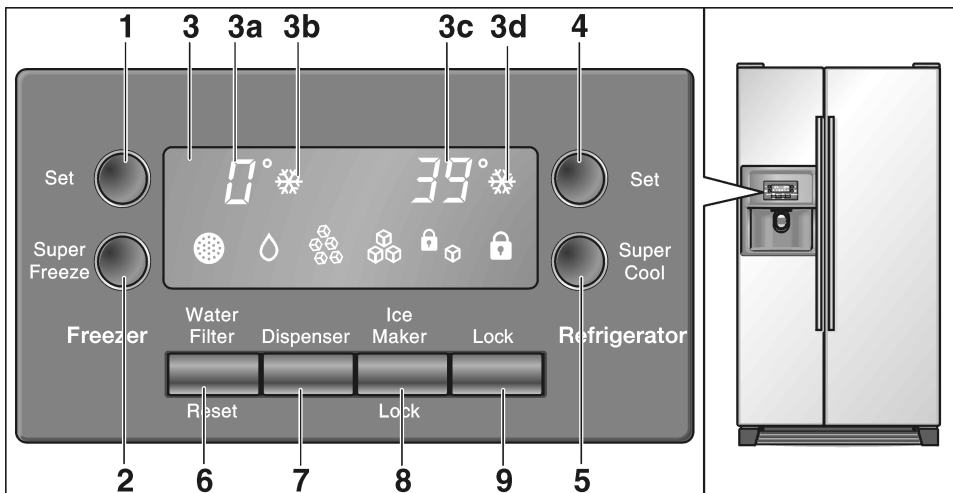
Distributeur de glaçons et d'eau



2 Plot de prélèvement

3 Bac récupérateur d'eau

Bandeau de commande et d'affichage



1 Touche de réglage de la température du compartiment congélateur

2 Touche de supercongélation (SUPERFREEZE™)

3 Bandeau d'affichage

3a Affichage de la température dans le compartiment congélateur

3b Affichage de la supercongélation

3c Affichage de la température dans le compartiment réfrigérateur

3d Affichage de la superréfrigération

4 Touche de réglage de la température régnant dans le compartiment réfrigérateur

5 Touche de superréfrigération (SUPERCOOL™)

6 Touche de réarmement du filtre à eau

7 Touche de prélèvement d'eau / de glaçons

8 Touche de verrouillage du distributeur de glaçons au moment de le nettoyer ou s'il doit rester une période prolongée sans servir.

9 Touche de verrouillage du bandeau de commande (Protection enfants)

Appuyez sur la touche pour protéger les réglages contre toute modification involontaire. Pour déverrouiller la touche, appuyez dessus pendant 3 secondes.

Légende des symboles apparaissant sur le bandeau d'affichage



Symbole «Changement de filtre nécessaire»
Après un changement de filtre, appuyez pendant env. 5 secondes sur la touche de réarmement pour désactiver ce symbole.



Symbole «Eau»



Symbole «Distributeur de glaçons verrouillé»



Symbole «Glace pilée»



Symbole «Bandeau de commande verrouillé»



Symbole «Glaçons»

Enclenchement de l'appareil

- ❑ Branchez la fiche mâle dans une prise de courant.

Après le raccordement au secteur, l'appareil commence à réfrigérer. Les éclairages intérieurs s'allument lorsque vous ouvrez les portes.

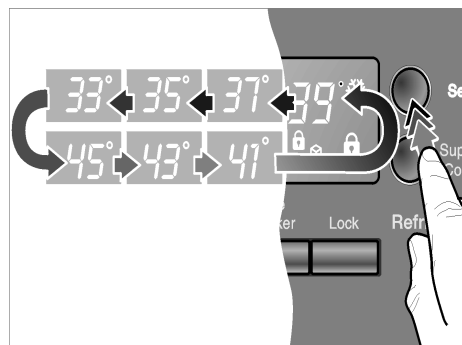
- i** L'appareil atteint en 2–3 heures les températures pré réglées (réglages usine). Pendant cette période, ne rangez pas de produits alimentaires dans l'appareil.

Pour modifier les températures pré réglées, reportez-vous à la rubrique «Réglage de la température»

Réglage de la température

- La température des compartiments réfrigérateur et congélateur est réglable séparément. La valeur réglée s'affiche sur le bandeau.
- A la fabrication, le compartiment réfrigérateur a été réglé sur **39 °F (4 °C)**.
- A la fabrication, le compartiment congélateur a été réglé sur **0 °F (-18 °C)**.

Pour modifier ces valeurs:

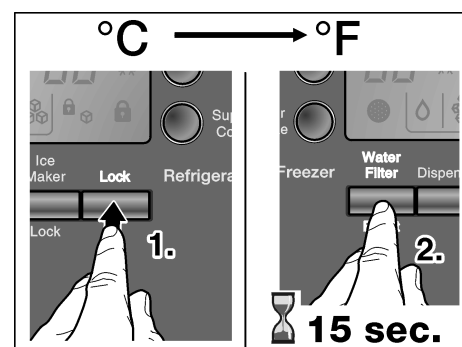


- ❑ Appuyez sur la touche de réglage jusqu'à ce que la température voulue s'affiche.

Le système mémorise la valeur affichée en dernier.

Unité de température

L'appareil peut afficher la température en degrés Fahrenheit (°F) ou en degrés Celsius (°C).



- ❑ Appuyez sur le bouton **Lock** (1.).
- ❑ Appuyez sur le bouton **Water Filter Reset** et maintenez-le appuyé pendant 15 secondes (2.).

Arrêt et remisage de l'appareil

Eteindre l'appareil

- ❑ Débranchez la fiche mâle de la prise de courant.

Remisage longue durée de l'appareil

Si l'appareil doit rester longtemps sans servir :

- ❑ Sortez tous les produits alimentaires de l'appareil.
- ❑ Fermez l'arrivée d'eau
- ❑ Videz le bac à glaçons (voir «Nettoyage de l'appareil»)
- ❑ Prélevez l'eau restante.
- ❑ Débranchez la fiche mâle de la prise de courant.
- ❑ Sortez le filtre à eau.
- i** Lors de la remise en service, incorporez un filtre à eau neuf.
- ❑ Nettoyez l'intérieur de l'appareil (voir «Nettoyage de l'appareil»)

Pour éviter l'apparition de mauvaises odeurs, laissez les portes ouvertes.

⚠ PRUDENCE ⚠

S'il y a un risque de gel, chargez un spécialiste de vidanger le réservoir d'eau affecté au distributeur d'eau (voir les instructions d'installation).

Remarque importante en cas de déménagement

Enlevez toutes les pièces facilement amovibles et emballez chacune d'elles soigneusement. Transportez l'appareil à la verticale après avoir sécurisé les portes et les trappes avec du ruban adhésif.

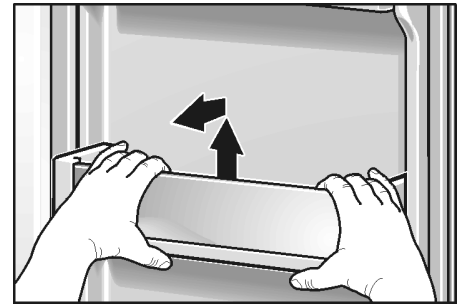
Fonctions

Alarme relative à la porte

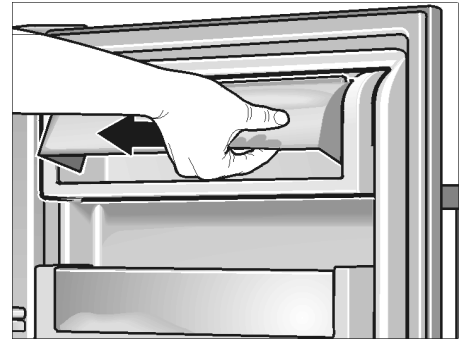
Si vous laissez la porte de compartiment réfrigérateur ouverte, un signal d'alarme retentit au bout d'une minute pendant cinq minutes. Il se désactive une minute puis se réactive 5 minutes et ainsi de suite.

Coupure automatique de l'éclairage intérieur

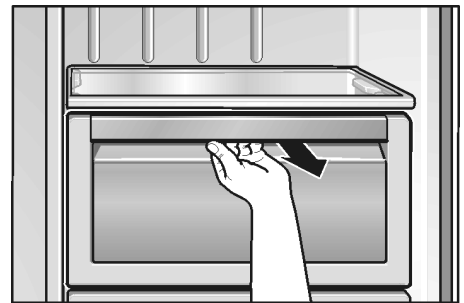
Si la porte de compartiment réfrigérateur est restée ouverte plus de 10 minutes, l'éclairage intérieur s'éteint automatiquement pour empêcher toute surchauffe. Ceci permet aussi d'économiser de l'énergie.



- ❑ Soulevez le bac puis sortez-le.



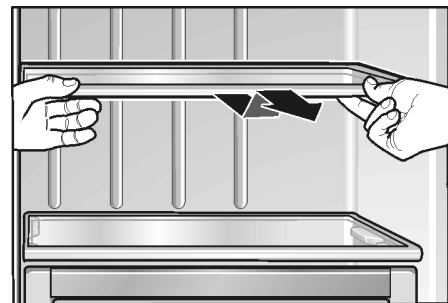
- ❑ Soulevez légèrement le couvercle du casier à beurre et à fromage, appuyez **à gauche** puis retirez-le.



- ❑ Tirez les tiroirs à vous, soulevez-les légèrement puis sortez-les.

Agencement variable du compartiment intérieur

Vous pouvez modifier à volonté l'agencement des clayettes dans le compartiment et des bacs en contreporte:



- ❑ Tirez la clayette à vous puis extrayez-la.

Compartment réfrigérant

La température du compartiment réfrigérateur est réglable entre 33 °F et 45 °F (+1 °C et +7 °C). Nous vous recommandons de régler la température sur 39 °F (+4 °C).

Utilisation du compartiment réfrigérateur

Vous pouvez ranger les pâtisseries, plats précuisinés, conserves, lait condensé, le fromage dur, les fruits et légumes craignant le froid, les agrumes dont par ex. les mandarines ; les bananes, ananas, melons, avocats, papayes, fruits de la passion, aubergines, laissez aussi les fruits finir de mûrir ; rangez également dans ce tiroir les tomates, concombres, tomates vertes, pommes de terre.

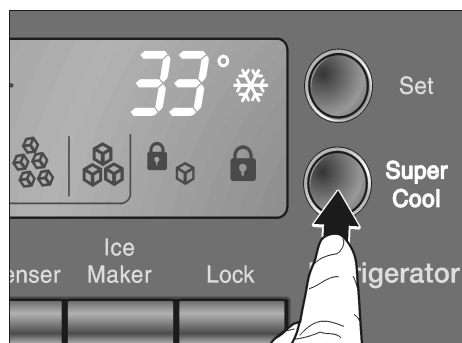
Consignes de rangement à respecter :

- Placez les produits à décongeler dans le compartiment réfrigérateur.
- L'air ne doit pas pénétrer dans l'emballage pour que les aliments ne perdent pas leur goût ni ne sèchent pas.
- Les huiles et graisses n'entrent pas en contact avec les pièces en plastique et le joint de la porte.
- Conserver les alcools concentrés uniquement fermés et placés debout. De plus, ne jamais ranger de matières explosives dans l'appareil. Risque d'explosion !

«super»-réfrigération (SUPERCool™)

Cette fonction sert à réfrigérer rapidement les produits alimentaires ou les boissons qui doivent séjourner dans le compartiment réfrigérateur. Lorsque la fonction de superréfrigération est active, la température baisse le plus fortement possible dans le compartiment réfrigérateur.

- Appuyez sur la touche **Super Cool**.



Chaque fois que vous appuyez sur la touche, la fonction s'active ou se désactive. La fonction activée «Superréfrigération» est signalée par le symbole * correspondant sur le bandeau d'affichage.

- La fonction de superréfrigération s'éteint automatiquement 40 minutes après au plus tard.

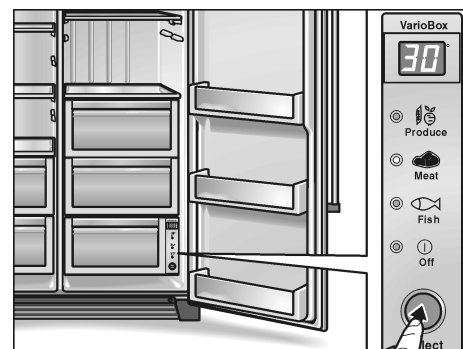
Tiroir à température contrôlée (TCD)

(selon le modèle)

Dans ce compartiment, la température est maintenue proche de 32°F (0 °C). Ceci offre des conditions de stockage optimales aux produits frais :

- Légume: 38 °F (3 °C) (*Produce*)
- Viande: 35 °F (2 °C) (*Meat*)
- Poisson: 32 °F (0 °C) (*Fish*)

Pour stocker les produits alimentaires de façon optimale:



- A l'aide de la touche de sélection, choisissez le produit voulu (légume / viande / poisson).
- La sélection est confirmée par l'allumage de la LED et l'affichage de la température correspondante.

Remarque :

- Sur la position «Off», ce compartiment prend la température du compartiment d'en face.
- La température affichée est une température de consigne. Celle qui règne réellement dans le Tiroir à température contrôlée peut en différer légèrement.

Unité de température

L'appareil peut afficher la température en degrés Fahrenheit (°F) ou en degrés Celsius (°C).

- Appuyez sur le bouton **Select** et maintenez-le appuyé pendant 15 secondes.

Produits non-adaptés au tiroir à température contrôlée :

- Fruits et légumes craignant le froid (agrumes, avocats, papayes, fruits de la passion, aubergines, concombres, poivrons)
- Fruits finissant de mûrir (tomates vertes, bananes)
- Pommes de terre
- Fromage dur

Attention lors de l'achat de produits alimentaires :

C'est la fraîcheur des produits alimentaires le jour de leur achat qui détermine leur durée de conservation. Principe fondamental : plus les produits arrivent frais dans le compartiment fraîcheur et plus ils se conserveront longtemps. Lors de vos achats, vérifiez toujours le degré de fraîcheur des produits.

Durées de stockage à 32 °F (0 °C):

suivant la qualité de départ	
Saucisses, charcuterie en tranches, viande rouge, abats, poisson, lait frais, fromage blanc	jusqu'à 7 jours
Viande en petits morceaux, saucisses à griller, champignons, salades, légumes à feuilles	jusqu'à 10 jours
Viande en gros morceaux, plats pré-cuisinés	jusqu'à 15 jours
Charcuterie fumée ou salée, chou	jusqu'à 20 jours
Viande en gros morceaux, viande de bœuf, de gibier après traitement à la chaleur, légumes secs	jusqu'à 30 jours

Compartiment congélateur

La température du compartiment congélateur est réglable entre 6 °F et -6 °F (-15 °C et -21 °C). Nous vous recommandons de régler la température sur 0 °F (-18 °C).

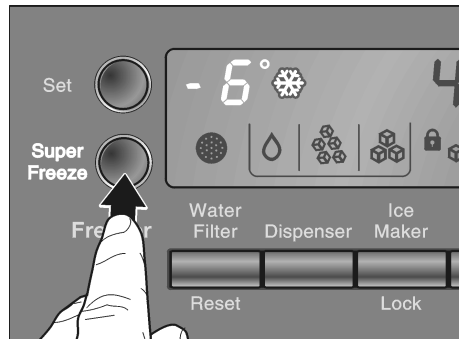
Servez-vous du compartiment congélateur pour :

- Sert à ranger des produits surgelés
- Congeler des produits alimentaires
- Confectionner des glaçons

i Veillez à ce que la porte du compartiment congélateur soit toujours fermée. Si cette porte reste ouverte, les produits surgelés décongèleront. Le compartiment réfrigérateur se couvrirait de givre. En outre, vous gaspillez de l'énergie vu la forte consommation de courant.

«super»-congélation (SUPERFREEZE™)

La supercongélation sert à surgeler de grandes quantités d'aliments frais. Vous devez l'enclencher jusqu'à 24 heures avant de ranger ces aliments frais. Pendant la supercongélation, la température devient très basse dans le compartiment congélateur.



- Appuyez sur la touche **Super Freeze**.

Le fait d'appuyer sur cette touche active ou désactive la fonction. Pour indiquer que la supercongélation s'est activée, le symbole * correspondant apparaît sur le bandeau.

i La fonction de supercongélation s'éteint automatiquement 150 minutes après au plus tard.

Congélation et rangement

Ranger des produits surgelés

Au moment d'acheter des produits surgelés, tenez compte de ce qui suit :

- Vérifiez si l'emballage est endommagé.
- Vérifiez la date limite de consommation recommandée.
- La température indiquée par le thermomètre du congélateur commercial doit être de 0 °F (-18 °C) minimum. Si ce n'est pas le cas, la durée de conservation des produits surgelés diminue en conséquence.
- Achetez les produits surgelés en dernier. Emballez-les dans du papier journal ou utilisez un sac isotherme pour le transport.
- Une fois revenu chez vous, rangez les produits surgelés immédiatement dans le compartiment congélateur. Consommez les produits surgelés avant la date limite de conservation
- Ne recongelez jamais les aliments qui ont dégelé. Exception : si vous transformez les aliments en plat cuisiné (cuit ou rôti), vous pourrez dans ce cas recongeler ce plat.

Congeler soi-même les aliments

Pour congeler les aliments, n'utilisez que des aliments frais et d'un aspect impeccable. Emballez les aliments hermétiquement pour éviter qu'ils ne perdent leur saveur ou se dessèchent. Les aliments doivent congeler à coeur aussi vite que possible pour qu'ils conservent vitamines, valeur nutritive, aspect et goût.

Pour emballer correctement :

- Placez les aliments dans l'emballage.
- Chassez complètement l'air de l'emballage.
- Obturez l'emballage hermétiquement.
- Inscrivez sur l'emballage le nom du contenu et la date de congélation.

Emballages inadaptés :

Le papier d'emballage, le papier sulfurisé, les feuilles de cellophane, les sacs poubelles et les sacs en plastique ayant déjà servi.

Emballages corrects :

Feuilles en plastique, feuilles-boyaux en polyéthylène, feuilles d'aluminium, boîtes de congélation. Vous trouverez ces produits dans le commerce spécialisé.

Pour obturer les emballages, utilisez des :

Caoutchoucs, clips en plastique, ficelles, rubans adhésifs résistants au froid, ou assimilés.

Vous pouvez obturer les sachets et les feuilles en polyéthylène au moyen d'une thermosoudeuse.

Capacité de congélation

Vous pouvez congeler jusqu'à 10 kg de produits alimentaires en 24 heures.

Durée de conservation des produits surgelés

La durée de stockage dépend de la nature de l'aliment.

A une température de surgélation moyenne, les durées de conservation suivantes s'appliquent :

Poisson, charcuterie, plats pré-cuisinés, pâtisseries	jusqu'à 6 mois
Fromage, volaille, viande	jusqu'à 8 mois
Fruits et légumes	jusqu'à 12 mois

Décongélation des produits

Selon la nature et l'utilisation des produits surgelés, vous pouvez choisir entre plusieurs possibilités:

- A la température ambiante
- Dans le réfrigérateur
- Dans le four électrique, avec / sans ventilateur à air chaud
- Dans le micro-ondes.

i Ne remettez pas à congeler des produits alimentaires partiellement ou entièrement décongelés. Ne recongelez les produits qu'après les avoir transformés (cuisson ou rôtissage).

Dans ce cas, consommez-les nettement avant la date limite de conservation.

Distributeur automatique de glaçons et d'eau

Vous pouvez prélever, suivant besoins,

- de l'eau réfrigérée
- des glaçons
- de la glace pilée (Crush-ice)

AVERTISSEMENT

Pour prélever de l'eau ou de la glace, n'utilisez pas de récipients fragiles – Risque de blessures en cas de bris de verre !

N'introduisez pas les doigts dans l'orifice d'éjection. Risque de vous blesser avec les lames du dispositif pilant la glace !

i Le distributeur de glace et d'eau ne fonctionne que si l'appareil est raccordé au réseau d'eau.

Consignes importantes lors de la mise en service de l'appareil neuf

Après le raccordement, les conduites contiennent encore des bulles d'air.

Prélevez de l'eau et jetez-la jusqu'à ce qu'elle sorte sans bulles. Jetez le contenu des 5 premiers verres.

Si vous utilisez le distributeur de glaçons pour la première fois, n'utilisez pas, pour des motifs d'hygiène, les 30 à 40 premiers glaçons.

Remarques concernant le fonctionnement du distributeur de glaçons

Une fois que le compartiment congélateur a atteint la température de congélation, l'eau afflue dans ce distributeur et se solidifie dans ses compartiments pour former des glaçons. Les glaçons finis sont automatiquement transférés dans le bac à glaçons.

Parfois, plusieurs glaçons à la fois s'accumulent sur le côté. Ils se détachent généralement d'eux-mêmes pendant leur transfert vers l'orifice de distribution.

Une fois que le distributeur de glaçons est plein, la préparation de glaçons cesse automatiquement.

Le distributeur de glaçons est en mesure de préparer 100 glaçons en 24 heures.

Ne mettez jamais de bouteilles ou produits alimentaires dans le distributeur de glaçons pour les faire refroidir rapidement. Il risquerait de se bloquer et de s'endommager.

Après la mise en service de l'appareil, il faut env. 24 heures pour que les premiers glaçons soient prêts.

Lors de la confection des glaçons, on entend le bourdonnement de l'électrovanne à eau, l'afflux d'eau dans le bac à glaçons et la chute des glaçons.

Qualité de l'eau potable

Tous les matériaux utilisés dans le distributeur de boisson sont inodores et sans saveur.

Si l'eau devait avoir un goût, les raisons peuvent être les suivantes:

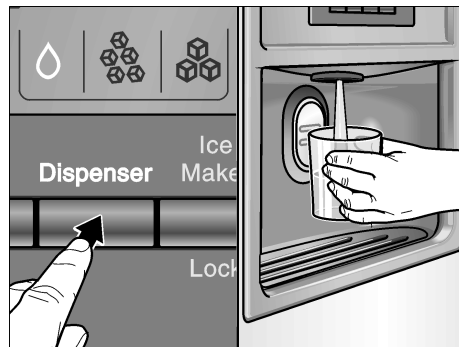
- Teneur de l'eau potable en sels minéraux et en chlore.
- Matériau de la conduite d'adduction d'eau à la maison ou de raccordement.
- Fraîcheur de l'eau potable (si vous êtes resté longtemps sans prélever de l'eau, l'eau peut avoir un goût «pas frais». Dans ce cas, soutirez l'équivalent de 15 verres et jetez leur contenu).

⚠ PRUDENCE ⚠

Le filtre à eau ci-joint filtre exclusivement les particules en suspension dans l'eau entrante, mais il ne retient pas les bactéries ni les microbes.

Prélèvement d'eau

- Appuyez sur la touche jusqu'à ce que le symbole s'allume.



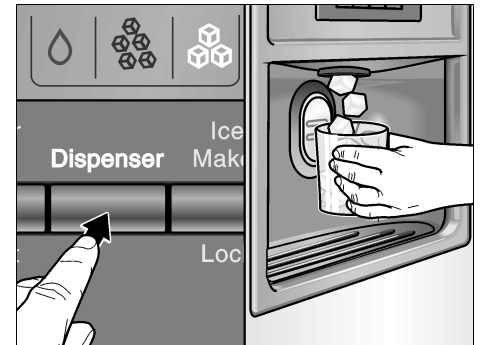
- Appuyez le verre contre le plot de prélèvement. Le prélèvement cesse lorsque vous cessez d'appuyer.

Un conseil :

L'eau sortant du distributeur d'eau se trouve à une température fraîche adaptée à sa dégustation. Si vous voulez de l'eau plus froide, mettez quelques glaçons dans le verre avant d'en prélever.

Prélèvement de glaçons

- Appuyez sur la touche jusqu'à ce que le symbole des glaçons ou de la glace pilée (Crush-Ice) s'allume.

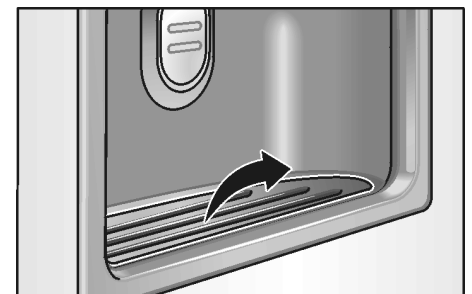


- Placez un récipient approprié contre le plot de prélèvement.
- i** Cessez d'appuyer le récipient contre le plot dès qu'il s'est rempli à moitié. La glace présente dans l'orifice d'éjection peut faire déborder le récipient ou bloquer l'orifice d'éjection.

Après avoir commuté du prélèvement de glaçons à celui de la glace pilée, des glaçons entiers ou fragmentés peuvent encore se trouver dans le distributeur. Ces morceaux ne sortiront qu'avec les premiers prélèvements de glace pilée.

Retirer et nettoyer le bac de récupération d'eau

L'eau renversée afflue dans le bac de récupération. Vous pouvez le retirer pour le vider et le nettoyer.



Retirer et nettoyer le bac à glaçons

Si vous n'avez pas prélevé de glaçons pendant une période prolongée, ceux déjà confectionnés rapetissent, perdent leur fraîcheur et collent entre eux.

- ❑ Sortez le bac, videz-le et nettoyez-le à l'eau tiède.
- ❑ Essuyez bien le bac et la vis transporteuse sans fin avec un essuie-tout sec pour que les nouveaux glaçons ne viennent pas coller contre la surface mouillée.

Mis en place du bac à glaçons

- ❑ Poussez le bac à glaçons complètement à l'arrière sur les surfaces, jusqu'à ce qu'il encoche.



- ❑ Si le bac refuse de se laisser pousser complètement jusqu'au fond, tournez un peu la vis sans fin de transport dans le réservoir.

La production de glaçons continue.

Désactivation du distributeur de glaçons

Si vous prévoyez de ne pas prélever de glaçons pendant plus d'une semaine (période de vacances par ex.), il faudrait désactiver temporairement le système de préparation des glaçons pour empêcher que les glaçons ne se soudent et forment un bloc.



- ❑ Appuyez sur la touche de verrouillage «Distributeur de glaçons». Le symbole s'allume.
- ❑ Retirez le bac à glaçons, videz-le puis remettez-le en place. Veillez à ce que le bac encoche bien sur sa surface d'appui.

Pour le remettre en service:

- ❑ Appuyez sur la touche de verrouillage «Distributeur de glaçons». Le symbole s'éteint.

Filtre à eau

AVERTISSEMENT

Pour ne pas encourir le risque d'une maladie grave ou un danger de mort, n'utilisez pas d'eau non sûre au plan microbiologique ou chimique, ou dont vous ne connaissez pas la qualité, sans l'avoir soumise à une désinfection ou à un traitement avant de lui faire traverser le filtre ou après le lui avoir fait traverser.

Remplacement du filtre

AVERTISSEMENT

Pour éviter tout choc électrique, lequel peut occasionner des blessures (brûlures !) graves ou la mort, débranchez toujours la fiche mâle de l'appareil avant de le remplacement du filtre. Après le remplacement, rebranchez la fiche mâle dans la prise de courant.



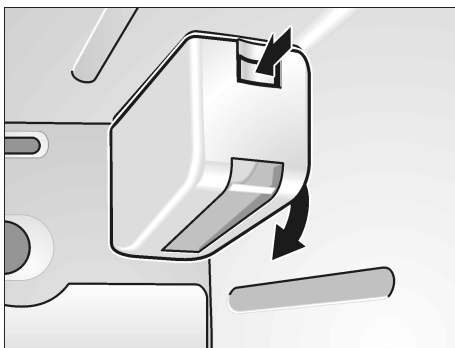
AVERTISSEMENT



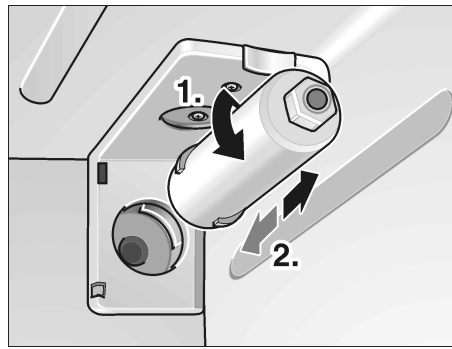
- Après avoir installé un filtre à eau neuf, n'utilisez pas les glaçons produits par le distributeur au cours des 24 premières heures de fonctionnement.
- Si vous n'avez pas prélevé de glaçons pendant une période prolongée, jetez tous les glaçons présents dans le bac ainsi que tous ceux produits au cours des 24 heures suivantes.
- Si l'appareil ou les glaçons n'ont pas été utilisés pendant plusieurs semaines ou mois, ou si les glaçons ont un goût ou une odeur désagréable, changez le filtre à eau.
- L'air prisonnier du circuit peut provoquer une éjection de l'eau et de la cartouche. Prudence lorsque vous la retirez.
- Il faudrait changer le filtre au moins tous les 6 mois.

Vous pouvez vous procurer un filtre neuf par le biais du service après-vente.

- Débranchez l'arrivée d'eau à l'appareil.



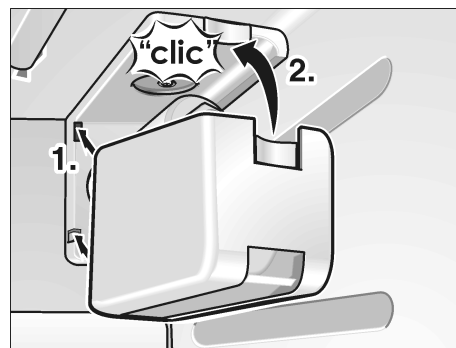
- Appuyez sur le bouton et retirez le capot du compartiment du filtre à eau.



- Imprimez doucement un quart de tour (90°) à la cartouche filtrante, en sens inverse des aiguilles d'une montre (1.), puis retirez-la.

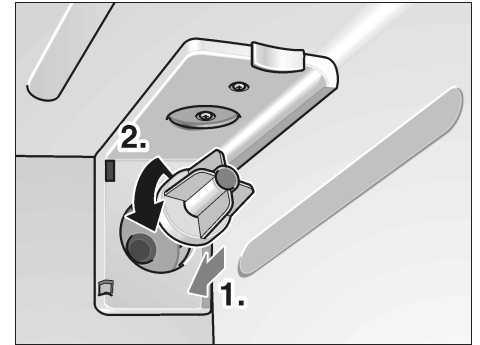
Prélevez une cartouche filtrante neuve dans l'emballage et retirez la coiffe protectrice.

- Insérez la cartouche filtrante neuve dans le support et imprimez-lui un quart de tour (90°) dans le sens des aiguilles d'une montre.



- Remontez le capot du compartiment du filtre à eau.

- i** Vous pouvez utiliser l'appareil sans filtre à eau. Si vous choisissez cette solution, remplacez le filtre à eau par un couvercle bypass.



Filtre – Fiche technique



Performance Data Sheet

Models CS-451/CS-452

These systems have been tested according to ANSI/NSF 42 for the reduction of the substances listed below. The concentration of the indicated substances in water entering the system was reduced to a concentration less than or equal to the permissible limit for water leaving the system as specified in ANSI/NSF 42.



System tested and certified by NSF International against ANSI/NSF Standard 42 for the reduction of Chlorine Taste and Odor.

Capacity: 1500 gallons (5,678 liters) depending on local water conditions.

Contaminant Reduction Determined by NSF Testing

Contaminant Reduction	Average Influent	NSF specified Influent challenge concentration	Avg. Product Water	Avg. % Reduction	NSF Reduction Requirements	NSF Test
Chlorine Taste and Odor	2.0	2.0 mg/L \pm 10%	0.28	86	\geq 50%	503821-01

For cold water use only.

Application Guidelines/Water Supply Parameters	
Service flow	0.5 gpm (1.89 lpm)
Water supply	Community or private well
Water pressure	25 - 125 psi (172 - 862 kPa)
Water temperature	40°F - 100°F (4.4°C - 38°C)

It is essential that operational, maintenance and filter replacement requirements be carried out for this product to perform as advertised. Change cartridges every 6 months. Flush new cartridge for 5 minutes. Use replacement cartridges CS-51 or CS-52.

Do not use with water that is microbiologically unsafe or of unknown quality without adequate disinfection before or after the system.

Systems must be installed and operated in accordance with manufacturer's recommended procedures and guidelines.

Warranty: See Warranty Card.

Note that while the testing was performed under standard laboratory conditions, actual performance may vary.

For service and parts contact your local dealer or:



Water Group

CUNO Incorporated

400 Research Parkway

Meriden, CT 06450, USA

Toll Free: 1-888-218-CUNO

Worldwide: 203-237-5541

Fax: 203-238-8701

www.cuno.com

Conseils pour économiser de l'énergie

- ❑ Placez votre appareil dans un endroit frais et bien aéré. Veillez à ce qu'il ne soit pas exposé aux rayons solaires et qu'il ne se trouve pas à proximité d'une source de chaleur (radiateur etc.). Utilisez le cas échéant une plaque isolante.
- ❑ Attendez que les boissons et aliments chauds aient refroidi à la température de la pièce avant de les ranger dans le compartiment congélateur.
- ❑ Vous pouvez utiliser le froid qu'ils ont emmagasiné pour refroidir les aliments stockés dans le réfrigérateur. Vous profitez ainsi de leur excédent de froid pour refroidir les aliments déjà présents dans ce compartiment.
- ❑ Ouvrez le moins possible les portes de l'appareil lorsque vous mettez ou prenez des aliments.

Bruits de fonctionnement

Bruits parfaitement normaux

Bourdonnements étouffés : ces bruits normaux se font entendre pendant que le compresseur est en marche. Le ventilateur du système de circulation d'air fonctionne.

Gargouillis et clapotis légers : ils proviennent de la circulation du fluide réfrigérant dans les serpentins. Eau en train d'affluer dans le distributeur de glaçons.

Cliquetis : ils sont audibles lorsque le moteur se met en marche ou s'arrête. L'électrovanne située sur le raccordement de l'eau s'ouvre et se ferme.

Bruit de chute – Les glaçons finis de se solidifier chutent du distributeur dans le bac.

Bruits faciles à supprimer

L'appareil ne repose pas d'aplomb

Vérifiez l'horizontalité de l'appareil à l'aide d'un niveau à bulle. Ajustez ensuite l'horizontalité par les pieds à vis ou placez un objet dessous.

L'appareil touche quelque chose.

Eloignez l'appareil de meubles ou d'appareils voisins.

Des tiroirs, paniers ou surfaces de rangement vibrent ou se coincent

Vérifiez les pièces amovibles puis remettez-les en place correctement.

Des récipients se touchent

Eloignez légèrement les bouteilles ou récipients les uns des autres.

Dégivrage

La décongélation a lieu automatiquement.

L'eau issue de la décongélation coule en direction du bac d'évaporation contre la paroi arrière du réfrigérateur et s'évapore ensuite automatiquement.

Nettoyage de l'appareil

⚠ AVERTISSEMENT ⚠

Pour éviter tout choc électrique, lequel peut occasionner des blessures (brûlures !) graves ou la mort, débranchez toujours la fiche mâle de l'appareil avant de le nettoyer. Après le nettoyage, rebranchez la fiche mâle dans la prise de courant.

⚠ AVERTISSEMENT ⚠

Pour éviter des dommages corporels ou des dégâts matériels veuillez respecter les instructions suivantes :

- Ne nettoyez pas l'appareil avec un nettoyeur à vapeur.
- Veillez bien à ce que l'eau de nettoyage ne puisse pas pénétrer dans l'éclairage ou sous le panneau de commande.
- N'utilisez pas de détergents abrasifs ou acides ni de solvants car ils pourraient endommager la surface de l'appareil.
- Ne nettoyez jamais les clayettes et les bacs au lave-vaisselle car ces pièces pourraient se déformer.

- ❑ Nettoyez le joint de porte uniquement à l'eau claire, puis frottez-le pour le sécher complètement.
- ❑ Nettoyez l'appareil avec de l'eau tiède additionnée de produit à vaisselle. Cette eau ne doit pas pénétrer dans le bandeau de commande ou l'éclairage.

Lorsque vous sortez les clayettes en verre, elles sont très froides. Ne les plongez pas directement dans de l'eau de vaisselle très chaude.

Ne nettoyez jamais les clayettes et les bacs au lave-vaisselle. Ces pièces pourraient se déformer.

- ❑ Après le nettoyage : rebranchez la fiche mâle dans la prise de courant ou réarmez le disjoncteur / remettez le fusible en place.

⚠ AVERTISSEMENT ⚠

Ne touchez pas les produits surgelés avec les mains nues. Elles risqueraient de rester collées dessus. Risque de blessures.

Ne dégivrez ni ne nettoyez jamais l'appareil avec un nettoyeur à vapeur. La vapeur risque d'atteindre des pièces électroconductrices de l'appareil et de provoquer un court-circuit ou vous faire électrocuter. La vapeur peut endommager les surfaces en plastique.

Remédier soi-même aux petites pannes

Avant d'appeler le service après-vente :

Vérifiez svp si vous ne pouvez pas remédier vous-même au dérangement à l'aide des instructions qui suivent. Si vous faites venir le technicien, ses conseils vous seront facturés, même pendant la période de garantie !

Compartiments réfrigérateur et congélateur

Dérangement	Cause possible	Remède
L'appareil ne refroidit pas. L'éclairage intérieur est éteint.	Coupure de courant ; disjoncteur disjoncté ; fiche mâle pas complètement branchée dans la prise.	Vérifiez si la prise est sous tension. Le disjoncteur doit se trouver en position armée.
Le groupe frigorifique s'enclenche de plus en plus souvent et longtemps.	Vous avez ouvert fréquemment la porte.	N'ouvrez pas la porte inutilement.
	Vous avez mis une assez grande quantité d'aliments à congeler.	Ne dépassez pas la capacité de congélation maximale.
	Les orifices d'apport et d'évacuation d'air sont recouverts par des objets faisant obstacle.	Enlevez ces obstacles.
La température est trop basse dans le compartiment réfrigérateur ou congélateur.	Vous avez réglé la température trop basse.	Réglez-les respectivement sur une température plus élevée (voir «Réglage de la température»).
Produits surgelés collés.		Détachez-les avec un objet arrondi. Ne les détachez pas avec un couteau ou un objet pointu.
Le compartiment congélateur comporte une épaisse couche de givre.		Veillez toujours à ce que les portes de l'appareil soient fermées.
L'éclairage intérieur ne fonctionne pas.	L'ampoule est grillée.	Changez l'ampoule (voir «Changement d'ampoule»).
	L'interrupteur de l'éclairage est coincé.	Vérifiez s'il se laisse bouger.
Le compartiment congélateur n'atteint plus la température réglée.	La porte compartiment congélateur est restée longtemps ouverte. L'évaporateur (générateur de froid) est tellement givré que le système de décongélation automatique ne parvient pas à résorber la quantité de givre présente.	Sortez les produits congelés de l'appareil et rangez-les bien isolés dans un endroit frais. Au bout de 12 heures environ, la glace a fondu dans le système de réfrigération. Réenclenchez l'appareil puis rangez les produits congelés. Remarque ! N'ouvrez pas la porte du compartiment réfrigérateur inutilement. Vous éviterez ainsi une déperdition du froid. Si les consignes précédemment énoncées ne vous permettent pas de supprimer le dérangement, veuillez toujours contacter le service après-vente.

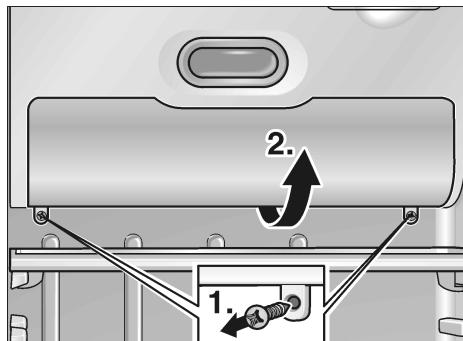
Distributeur d'eau et de glaçons

Dérangement	Cause possible	Remède
Bien que l'appareil fonctionne déjà depuis longtemps, il n'a produit encore aucun glaçon.	Robinet d'eau fermé.	Ouvrez le robinet d'eau.
	Coupure de l'alimentation en eau. Pression trop faible.	Prévenez votre installateur.
	Distributeur de glaçons verrouillé. Le symbole du cadenas est allumé.	Appuyez sur la touche de verrouillage «Distributeur de glaçons».
Il y a des glaçons dans le bac à glaçons mais ils ne descendent pas.	Température trop élevée dans le compartiment congélateur.	Réduisez la température dans ce compartiment (voir «Réglage de la température»).
	Les glaçons se sont soudés entre eux.	Retirez le bac à glaçons et videz-le.
Les glaçons se sont coincés à la sortie du bac à glaçons ou dans le broyeur de glace.		Retirez le bac à glaçons et faites tourner la vis sans fin de transport à la main. Avec un bâtonnet en bois, détachez les glaçons éventuellement coincés.
Les glaçons sont à moitié dégelés.	Les glaçons ont dégelé à un certain moment à la suite d'une panne de courant, ou la porte du compartiment congélateur n'était pas correctement fermée.	Retirez le bac à glaçons, videz-le puis essuyez-le bien pour le sécher.
Les glaçons diminuent de volume par évaporation.		L'air froid qui s'écoule sur les glaçons provoque leur rapetissement. Ce phénomène, normal, se manifeste surtout si vous en prélevez peu.
La trappe du distributeur de glaçons ne ferme pas correctement.	Des glaçons l'empêchent de se fermer.	Retirez les glaçons.
Des glaçons adhèrent dans le bac à glaçons.	Des dépôts de tartre provenant de l'eau peuvent se former contre la paroi des bacs.	Humectez un chiffon avec du vinaigre et essuyez les bacs. Si les dépôts sont épais, nettoyez les bacs chaque fois que vous nettoyez le compartiment réfrigérateur.
Les glaçons sont inégaux et il y a de l'eau dans le bac à glaçons.	L'appareil n'est pas d'aplomb.	Mettez l'appareil d'aplomb en vous servant d'un niveau à bulle et de ses roulettes et pieds à vis réglables en hauteur (voir les instructions d'installation).
Le distributeur d'eau ne fonctionne pas.	Robinet d'eau fermé.	Ouvrez le robinet d'eau.
	Alimentation en eau coupée. Pression de l'eau trop faible.	Prévenez l'installateur.
	Température trop élevée dans le compartiment congélateur.	Réduisez la température dans le compartiment congélateur (voir «Réglage de la température»).

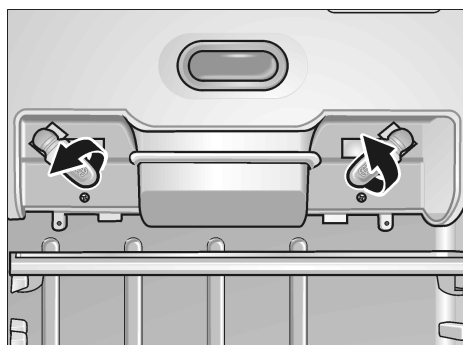
Changement d'ampoule

Changer l'ampoule du compartiment réfrigérateur

- ❑ **Attention :** débranchez la fiche mâle de la prise secteur ou coupez le fusible / disjoncteur !



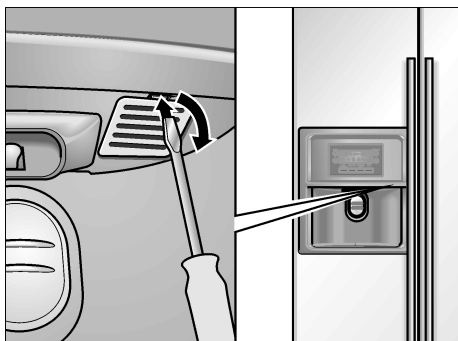
- ❑ Défaites les 2 vis situées en dessous du cache-lampe puis retirez ce dernier.
- ❑ Changez l'ampoule. ampoule de rechange 25 W max., 115 V, courant alternatif, culot E14.



- ❑ Remontez le cache-lampe.

Changer l'ampoule du distributeur d'eau et de glaçons

- ❑ **Attention :** débranchez la fiche mâle de la prise secteur ou coupez le fusible / disjoncteur !
- ❑ Soulevez le cache-lampe à l'aide d'un tournevis.



- ❑ Changez l'ampoule. ampoule de rechange 15 W max., 115 V, courant alternatif, culot E14.

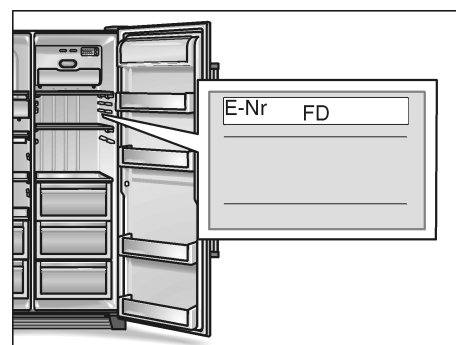


- ❑ Posez le recouvrement.

Appeler le service après-vente

Vous trouverez un centre de SAV près de chez vous dans l'annuaire téléphonique ou dans le répertoire du SAV. Veuillez indiquer au SAV le numéro de série (E-Nr.) de l'appareil et son numéro de fabrication (FD).

Vous trouverez ces références sur la plaque signalétique.



Merci de nous aider à éviter des déplacements inutiles en nous indiquant les numéros de produit et de fabrication ; vous éviterez du même coup la facturation des frais supplémentaires qui en résulteraient. Vous économiserez ainsi des suppléments de frais inutiles.

Instructions d'installation

Remarque importante :

Ces instructions d'installation valent pour plusieurs modèles.

Certains des modèles ne requièrent pas les étapes de travail décrites ici.

L'installation et le raccordement de l'appareil sont des opérations qui ne pourront être confiées qu'à un spécialiste agréé opérant en conformité avec cette notice d'installation.

Réalisez le raccordement de l'eau impérativement avant celui de l'électricité.

Outre les prescriptions légales en vigueur dans votre pays, veuillez aussi respecter les règlements publiés par les compagnies distribuant l'électricité et l'eau dans votre localité.

Veuillez conserver les présentes instructions d'installation.

Lieu d'installation

Attention :

L'appareil est très lourd. Pour connaître son poids à vide, reportez-vous au tableau suivant.

Version de base	229 lbs (104 kg)
Version à distributeur	248.5 lbs (113 kg)

Un local sec et aérable convient comme lieu d'installation. Veillez à ce que l'emplacement ne soit pas directement exposé aux rayons solaires et qu'il ne se trouve pas à proximité d'une source de chaleur (par ex. une cuisinière, un radiateur, etc.).

Si l'installation près d'une source de chaleur est inévitable, utilisez un panneau isolant approprié ou respectez les distances minimales suivantes par rapport à la source de chaleur :

- 1¹/₄" (3 cm) par rapport à une cuisinière électrique,
- 11³/₁₆" (30 cm) par rapport aux chaudières à fuel et à charbon.

Le sol sur l'emplacement de l'appareil ne doit pas s'affaisser. Vous devrez le cas échéant renforcer le sol. L'appareil est très lourd.

Afin que le distributeur de glaçons fonctionne impeccablement, l'appareil doit se trouver parfaitement à la verticale. Il faudra respecter les écarts latéraux minimums si l'appareil se trouve dans un coin ou dans une cavité ménagée dans un mur et pour pouvoir ouvrir les portes jusqu'à la butée (voir la section «Dimensions de l'appareil et cotes d'encombrement».

Déballer l'appareil

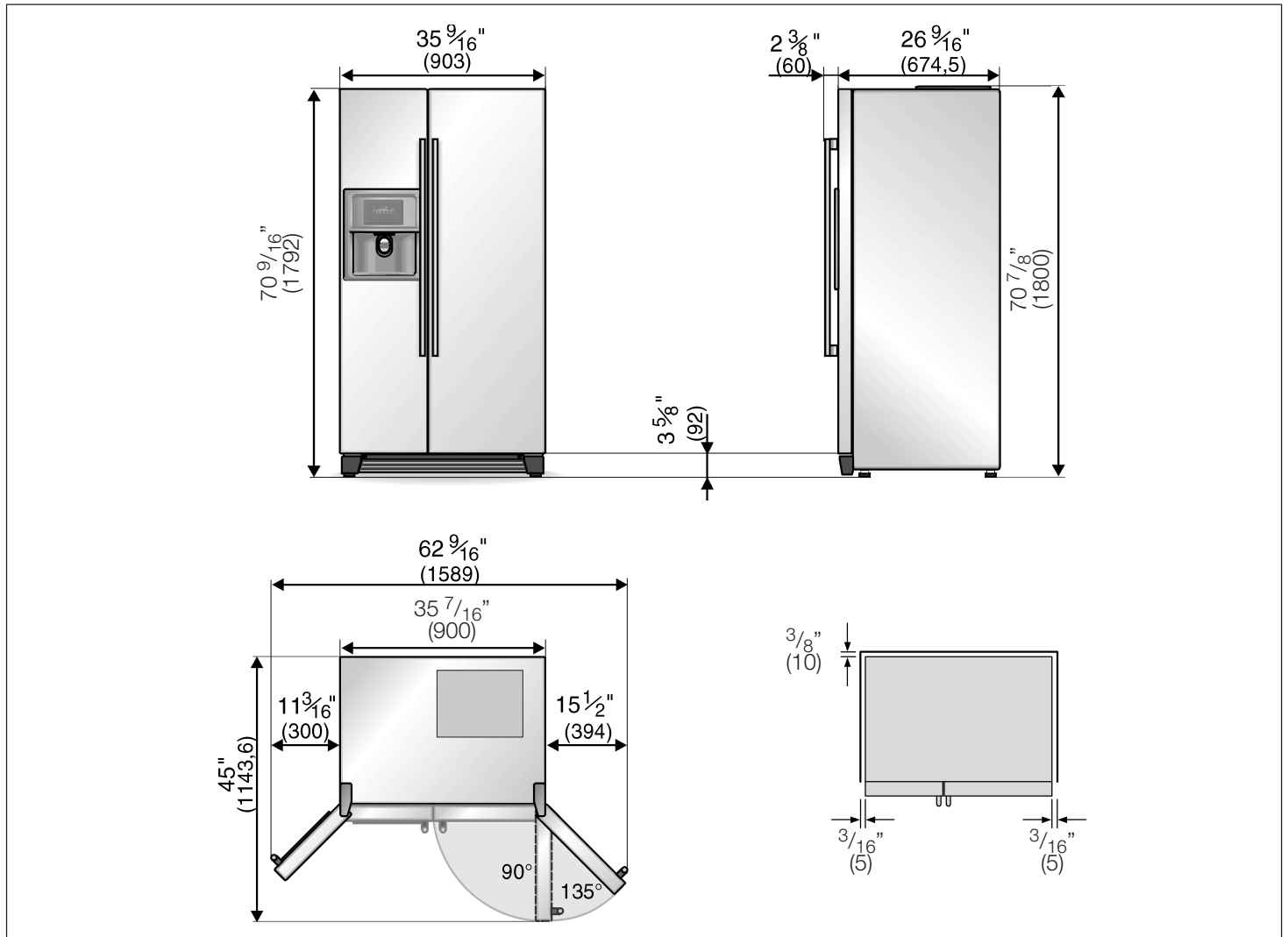
- ❑ Enlevez le matériau d'emballage et les rubans adhésifs. Vous pouvez retirer les résidus de ruban adhésif sur le corps de l'appareil à l'aide du côté collant du ruban retiré. Pour ce faire, posez le ruban plusieurs fois sur les résidus et détachez-le à nouveau.
- ❑ N'enlevez les cales de transport retenant les clayettes et balconnets qu'après l'installation.
- ❑ N'enlevez la cale de transport du distributeur de glaçons qu'après l'installation. Pour ce faire, extrayez le distributeur de glaçons.



Attention :

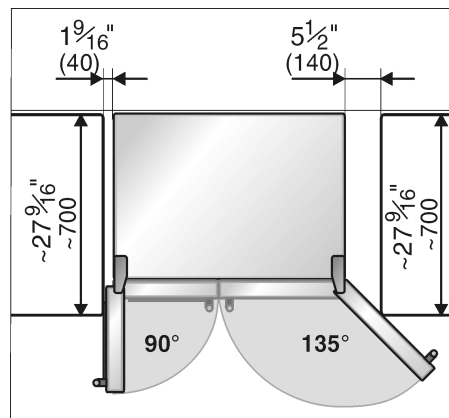
Avant de raccorder l'appareil au secteur, il faudra avoir intégralement retiré les matériaux d'emballages présents à l'intérieur et l'extérieur.

Dimensions de l'appareil et cotes d'encombrement



Si la profondeur des équipements de cuisine voisins dépasse 60 cm, il faudra respecter des écarts latéraux minimums afin de profiter de l'angle complet d'ouverture des portes.

Angle d'ouverture des portes	Écart minimum
90°	$1 \frac{9}{16}$ " (40 mm)
135°	$5 \frac{1}{2}$ " (140 mm)



Si vous montez un cache ou un placard au-dessus de l'appareil, il faudra prévoir un espace libre pour pouvoir si nécessaire sortir l'appareil de la cavité.

Dévisser les portes

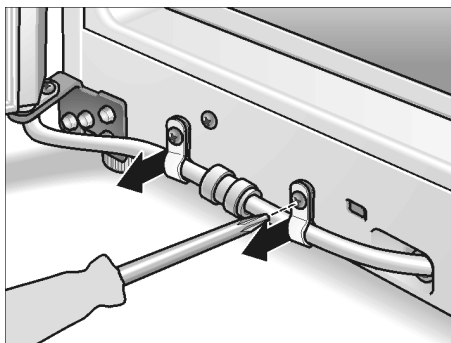
Si l'appareil ne passe pas par la porte d'entrée de votre logement, vous pouvez démonter les portes de l'appareil.

Appuyez sur l'anneau de serrage dans le sens de la flèche et détachez simultanément le flexible de son raccord.

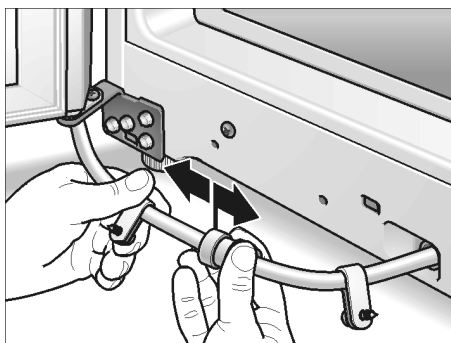
Nous recommandons de confier le montage à notre service après-vente.

Dévisser la porte du compartiment congélateur

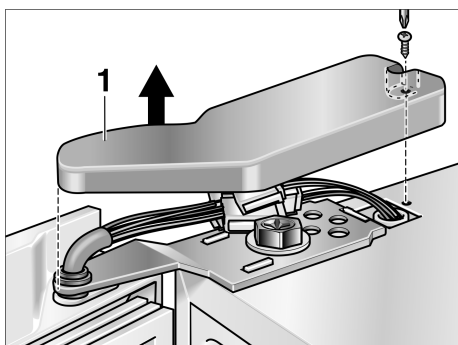
- ❑ Retirez le couvercle inférieur.
- ❑ Défaites la jonction par flexible.



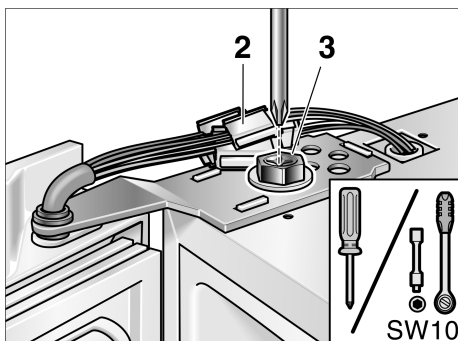
- Détachez les colliers au niveau du raccordement du flexible.



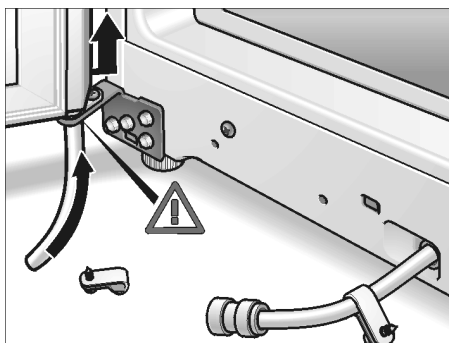
- Appuyez sur l'anneau de serrage dans le sens de la flèche et détachez simultanément le flexible de son raccord.



- ❑ Retirez le couvercle à charnière supérieur (1).



- ❑ Défaites les jonctions électriques (2).
- ❑ Dévissez la vis à charnière du haut (3). Retenez fermement la porte pendant cette opération.



- ❑ Soulevez la porte pour la dégager du pivot de charnière inférieur.

Prudence pendant l'enlèvement et la déposition de la porte : veillez à ne pas endommager la conduite d'eau.

Dévisser la porte du compartiment réfrigérateur

- ❑ Dévissez la porte du compartiment réfrigérateur de la même manière (la porte du compartiment réfrigérateur ne comporte ni connexions électriques ni jonctions par flexibles).

Attention :

Avant de remonter les portes dans l'ordre chronologique inverse, assurez-vous que l'appareil repose bien à la verticale sur le lieu d'installation.

Raccorder l'appareil au réseau d'eau

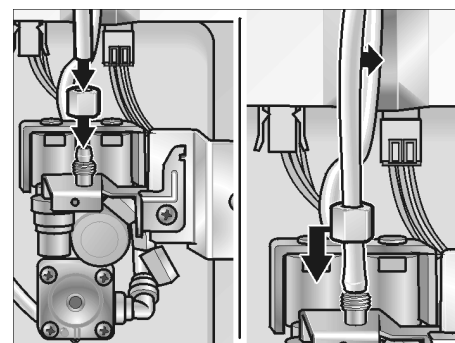
Le raccordement de l'eau est une opération exclusivement réservée à un installateur professionnel qui respectera ce faisant les prescriptions publiées par la compagnie distributrice d'eau dans votre localité.

Raccordez l'appareil à une conduite d'eau froide.

- Pression minimum : 20 p.s.i. (1,4 bar)
- Pression maximum : jusqu'à 100 p.s.i. (6,9 bar)

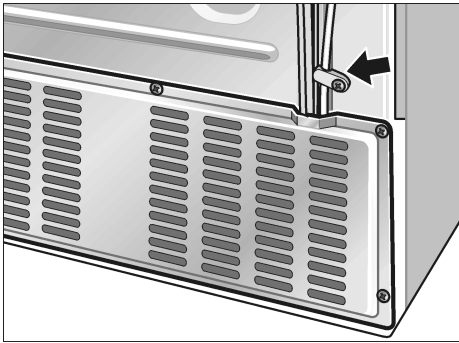
Le robinet d'eau servant à raccorder la conduite de branchement ci-jointe devra être librement accessible.

- ❑ Desserrez les vis et retirez le capot du compartiment moteur.



- ❑ Raccordez la conduite de branchement à l'électrovanne (1/4").

- ❑ Raccordez la conduite de branchement au robinet d'eau.



- ❑ Fixez la conduite de branchement contre la paroi arrière de l'appareil et le mur de la pièce. Servez-vous pour cela des colliers livrés.
- ❑ Posez la conduite en boucles ou en spires afin de pouvoir éloigner l'appareil du mur sans lui faire subir de tensions mécaniques.

Branchement électrique

N'utilisez ni prolongateurs ni distributeurs. Le raccordement de cet appareil demande la présence d'une prise femelle fixe.

Vérifiez si la tension de branchement et le type de courant spécifiés sur la plaque signalétique concordent bien avec ceux offerts par le secteur du pays concerné. La plaque signalétique se trouve en bas à gauche dans l'appareil. S'il faut changer le cordon d'alimentation secteur, ne confiez cette opération qu'à un spécialiste.

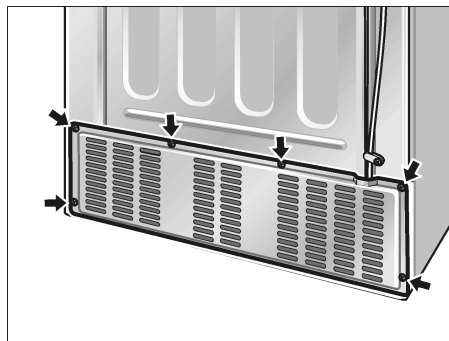
La prise où est branchée l'appareil doit rester librement accessible.

Important !

Lors du montage ou du changement du cordon d'alimentation électrique, montez le frein à cordon.

Vérifier l'étanchéité du raccordement de l'eau

- ❑ Mettez l'appareil en service en respectant le contenu de la notice d'utilisation.
- ❑ Prélevez de l'eau conformément à la notice d'utilisation. La première fois, l'eau tarde quelques secondes à sortir vu qu'il reste de l'air dans les conduites et dans le réservoir d'eau.
- ❑ Vérifiez l'étanchéité de toutes les jonctions par vis sur l'appareil et sur le raccordement de l'eau.
- ❑ Après cette vérification, débranchez à nouveau la fiche mâle de la prise de courant et montez le capot du compartiment moteur.



Ajuster l'appareil

Afin que l'appareil fonctionne impeccablement, il faut l'horizontaliser à l'aide d'un niveau à bulle.

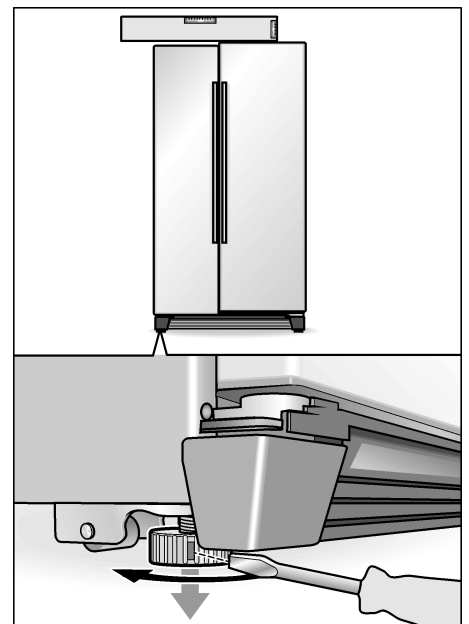
S'il n'est pas d'aplomb, l'eau risque de fuir du distributeur de glaçons, qui va produire des glaçons difformes, ou les portes risquent de ne pas bien fermer.

- ❑ Amenez l'appareil sur l'emplacement prévu.
- ❑ Fixez le bandeau de socle ci-joint à l'aide de 3 vis.

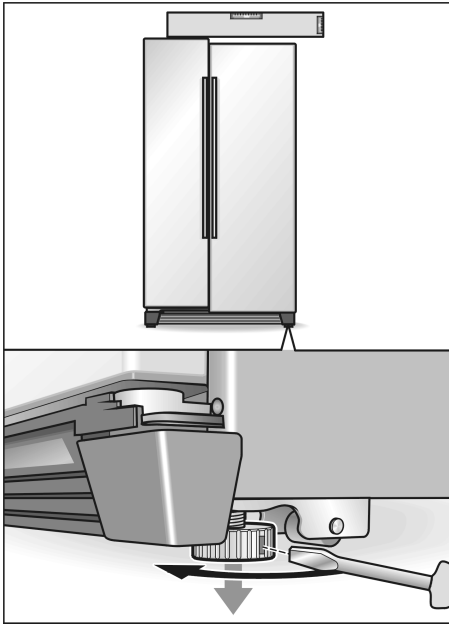


- ❑ Afin que l'appareil ne puisse pas se mettre à rouler tout seul, dévissez ses deux pieds avant jusqu'à ce qu'ils entrent fermement en contact avec le sol.
- ❑ Tournez les pieds jusqu'à ce que l'appareil soit parfaitement à l'horizontale. Servez-vous de ses portes comme indicateurs d'horizontalité.

Si la porte du compartiment congélateur se trouve plus bas :

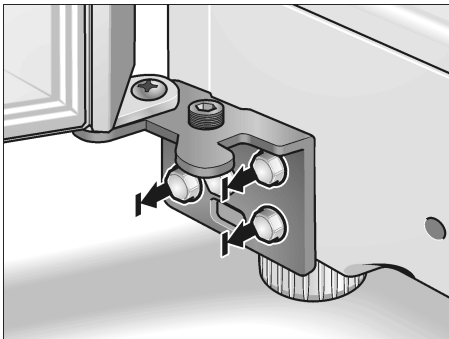


Si la porte du compartiment réfrigérateur se trouve plus bas :



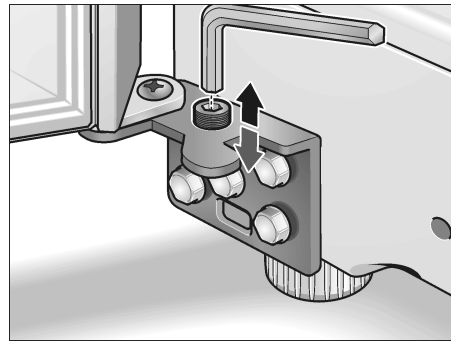
Si les étapes accomplies jusqu'à présent ne suffisent pas pour aligner correctement la porte :

- Retirez le bandeau du socle.



- Desserrez 3 vis de charnière. **Ne dévissez pas complètement les vis !**

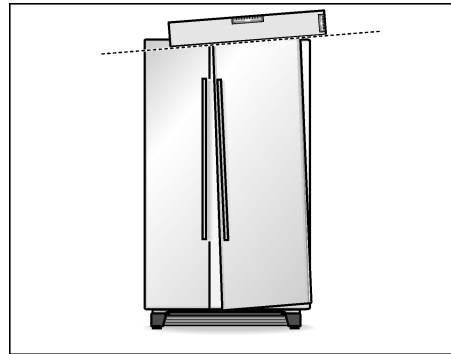
- Introduisez la clé hexagonale dans la vis d'ajustage :



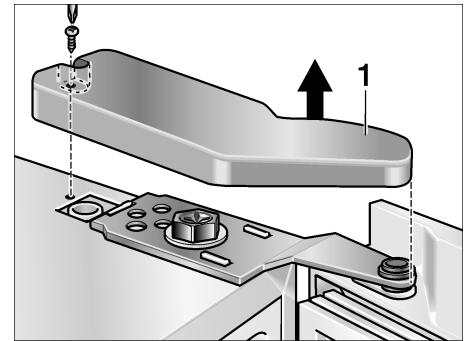
- Pour soulever une porte : Tournez la clé hexagonale dans le sens des aiguilles d'une montre.
- Pour abaisser une porte : Tournez la clé hexagonale en sens inverse des aiguilles d'une montre.

Important :

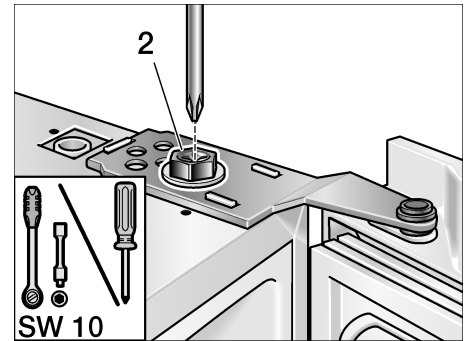
Du fait de son poids propre et des produits alimentaires présents en contre-porte, il peut arriver que la porte du compartiment réfrigérateur s'incline même si l'appareil est lui-même droit. L'interstice de la porte n'est pas égal en haut et en bas.



- Retirez le couvercle de la charnière supérieure (1).



- Desserrez la vis de charnière (2). **Veillez bien à ne pas dévisser complètement la vis !**



- Corrigez l'inclinaison de la porte du compartiment réfrigérateur.
- Revissez la vis de charnière à fond.
- Refixez le couvercle de la charnière.

Mise en service de l'appareil

Mettez l'appareil en service en respectant le contenu de la notice d'utilisation.

Remisage longue durée de l'appareil

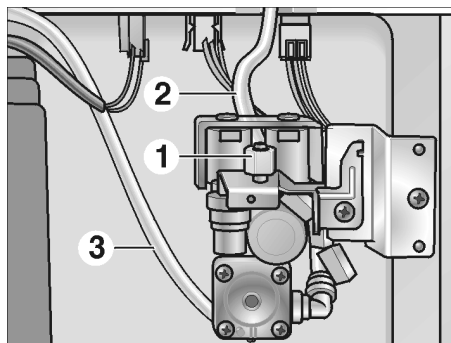
Mettez l'appareil hors service conformément à la notice d'utilisation ci-jointe.

Si vous voulez mettre l'appareil hors service ou le ranger à un endroit dont la température descend en-dessous du point de congélation, il faudra vider le réservoir équipant le distributeur d'eau.

Vider le réservoir d'eau dans l'appareil

- Débranchez la fiche mâle de la prise de courant.
- Fermez le robinet d'eau de l'appareil.
- Au dos de l'appareil, retirez le capot du compartiment machine.
- Dévissez la conduite de branchement (1).

- Sous la vanne de raccordement, placez un bac de récupération plat (contenance : 0.8 gallons (3 litres) env.).



- Sur la vanne de raccordement de l'appareil, dévissez les flexibles (2) et (3) les uns après les autres, videz-les et revissez-les ensuite.
Important : ne permutez pas les branchements des flexibles.
- Après la vidange, remontez le couvercle du compartiment machine.

N'ouvrez robinet d'eau que lors de la remise en service.

Índice

INSTRUCCIONES IMPORTANTES DE SEGURIDAD	53
Felicitaciones	54
Emplazamiento de la unidad	55
Familiarizándose con el nuevo aparato	57
Conectar el aparato	59
Ajustar la temperatura	59
Desconexión y paro del aparato	60
Funciones	60
Posibilidad de variar la posición del equipo interior del frigorífico	60
Compartimento frigorífico	61
Compartimento de congelación	62
Congelar y guardar alimentos	62
Dispensador automático de cubitos de hielo y agua fría	64
Filtro de agua	66
Consejos prácticos para ahorrar energía eléctrica	68
Ruidos de funcionamiento del aparato	68
Al desescarchar el aparato	68
Limpieza de la unidad	69
Pequeñas averías de fácil solución	70
Sustituir las bombillas	72
Avisar al Servicio de Asistencia Técnica Oficial	72
Instrucciones de montaje	73
English	2
Français	25

INSTRUCCIONES IMPORTANTES DE SEGURIDAD

¡LEA Y GUARDE ESTAS INSTRUCCIONES!

Advertencia

Practique las precauciones básicas de seguridad al utilizar este electrodoméstico, incluyendo las siguientes:

1. Utilice el electrodoméstico exclusivamente para las funciones para las que ha sido previsto, según se describe en este manual para el usuario.
2. Antes de usarlo, este refrigerador debe instalarse adecuadamente de acuerdo con las instrucciones de instalación.
3. Este aparato no debe utilizarse por personas que presenten limitaciones en sus facultades físicas, sensoriales o psíquicas o que carezcan de los conocimientos necesarios, excepto bajo la estricta supervisión o instrucción de personal competente.
4. No permita que los niños se trepen, cuelguen o se paren sobre los estantes del congelador. Pueden dañar el refrigerador y lesionarse seriamente.
5. Una vez en operación, no toque las superficies frías de su congelador, especialmente si están húmedas o mojadas. La piel puede adherirse a las superficies extremadamente frías.
6. No almacene o utilice gasolina u otros líquidos que produzcan vapores inflamables en las cercanías de este u otros electrodomésticos.

7. En congeladores con producción automática de hielo, evite tocar las partes móviles del mecanismo eyector o bien con el elemento calefactor ubicado en el fondo del dispositivo productor de hielo. No coloque los dedos o las manos sobre el mecanismo productor de hielo mientras el refrigerador esté conectado a la red.
8. Desconecte el congelador antes de limpiarlo o efectuar reparaciones.
NOTA: recomendamos insistentemente hacer realizar los trabajos de servicio técnico por personal especializado.
9. Antes de reemplazar una lamparilla quemada, extraer el enchufe de conexión del aparato de la toma de corriente de la red o desconectar el fusible, a fin de evitar el contacto con un objeto bajo tensión.
10. Una lamparilla quemada puede romperse al intentar cambiarla.
NOTA: colocar el control de temperatura en OFF no desconecta la tensión del circuito de iluminación.
11. No vuelva a congelar alimentos que estuvieron congelados anteriormente y que se han descongelado por completo.

PELIGRO

Peligro que un niño quede encerrado

El encerramiento y asfixia de niños no son problemas del pasado. Productos descompuestos o abandonados en el refrigerador, también son peligrosos. Aún si se los abandona «por unos pocos días». Si usted se quiere deshacer de su refrigerador, rogamos seguir estas instrucciones para evitar accidentes.

Antes de deshacerse de su viejo refrigerador:

- quite las puertas,
- Deje los estantes en su lugar, para que los niños no puedan trepar al interior.

Conexión eléctrica

El electrodoméstico se entrega con un conductor de alimentación de 3 cables, listado según UL en los E.E.U.U..

El electrodoméstico requiere de un tomacorriente de 3 conductores.

Este tomacorriente debe instalarlo un electricista con la licencia debida.

Instrucciones de puesta a tierra

Este electrodoméstico debe conectarse a tierra. En caso de un fallo en el funcionamiento o una rotura, la conexión a tierra reduce el riesgo de descargas eléctricas, proveyendo una vía de resistencia menor para la corriente eléctrica.

Una conexión inadecuada del conductor de puesta a tierra puede ser causa de una descarga eléctrica. Haga controlar el electrodoméstico por un electricista calificado o personal del servicio técnico si tiene dudas respecto de una conexión a tierra correcta.

Algunas prescripciones locales pueden exigir un conductor de puesta a tierra separado. En estos casos el cable de puesta a tierra accesorio, la sujeción y el tornillo deben adquirirse por separado.

Nunca conecte a tierra el electrodoméstico a través de tuberías de plástico, de gas o de agua.

Disposiciones respecto del CFC

Su congelador antiguo puede estar equipado con un sistema de refrigeración que utiliza CFC (clorofluorcarbon). Se cree que el CFC daña el ozono contenido en la estratosfera.

Si usted se deshace de su congelador antiguo, asegúrese que el CFC se quite del mismo, para ser tratado de acuerdo con las disposiciones vigentes, por personal debidamente calificado. Si usted libera el agente refrigerador CFC intencionalmente, puede ser objeto de penalidades y prisión por infracciones a la legislación de medio ambiente.

IMPORTANTE

Guarde estas instrucciones para el uso correspondiente de los inspectores regionales. Observe todas las reglamentaciones y ordenanzas gubernamentales.

Nota para el instalador – asegúrese de dejar estas instrucciones a su cliente.

Nota para el consumidor – Guarde estas instrucciones junto a su manual del usuario para su uso posterior.

Definiciones

PELIGRO


PELIGRO – Esto señala que hay peligro de muerte o lesiones graves ante el incumplimiento de esta advertencia.

ADVERTENCIA

ADVERTENCIA – Esto señala peligro de lesiones o daños graves que pueden resultar del incumplimiento de esta advertencia.

CUIDADO

CUIDADO – Esto señala que pueden resultar lesiones menores o daños debido al incumplimiento de esta advertencia.

 Este símbolo se utiliza para llamar la atención del usuario respecto de algo en particular.

Felicitaciones

Con la compra de su nuevo refrigerador se ha decidido usted por un electrodoméstico moderno de alta calidad.

Su refrigerador destaca particularmente por su escaso consumo energético.

Todos los aparatos nuestros son sometidos a unos rigurosos controles de funcionamiento y acabado general, por lo que abandonan nuestra fábrica en perfecto estado.

Para cualquier duda o pregunta que tuviera usted, en particular en lo relacionado con la instalación y montaje del aparato, nuestro Servicio de Asistencia Técnica está a su disposición.

Una información más detallada, así como una selección de nuestros productos, figura en nuestra página web.

Lea detenidamente las instrucciones de uso y montaje, así como todas las demás informaciones que se suministran conjuntamente con el aparato, y obre siempre en estricta conformidad con las mismas.

Guarde las instrucciones de uso y de montaje para posteriores consultas o para un posible propietario posterior.

Información general

Este refrigerador está destinado

- refrigerar alimentos,
- congelar alimentos,
- la preparación de cubitos de hielo.

Este electrodoméstico está diseñado para uso domiciliario exclusivamente.

Emplazamiento de la unidad

ADVERTENCIA

No instale el electrodoméstico:

- a la intemperie,
- en un ambiente donde gotee agua,
- en ambientes con peligro de heladas.

El electrodoméstico es muy pesado.

Emplazamiento del aparato

El lugar más adecuado para el emplazamiento del aparato es una habitación seca, dotada de una buena ventilación. Recuerde además que el aparato no debe instalarse de forma que reciba directamente los rayos del sol, ni encontrarse tampoco próximo a focos activos de calor tales como cocinas, calefacciones, etc.

No obstante, si esto último fuera inevitable, se habrá de proteger la unidad con un panel aislante adecuado, o bien observar las siguientes distancias mínimas de separación con respecto a la fuente de calor en cuestión:

Observar las siguientes distancias mínimas de separación con respecto a la fuente de calor:

- Cocinas eléctricas, 1¹/₄" (3 cm).
- Cocinas de gas-oil o de carbón, 1³/₁₆" (30 cm).

Cerciorarse de que el suelo del lugar de emplazamiento del aparato posee la suficiente resistencia y capacidad de sustentación, no debiendo ceder en absoluto. En caso necesario deberá reforzarse en función del peso del aparato.

Con objeto de asegurar el funcionamiento correcto del dispensador de cubitos, hay que cerciorarse de que el aparato está en posición vertical. Utilizar un nivel para la alineación. Para asegurar la apertura hasta el tope de las puertas al instalar el aparato en una esquina del recinto o en un hueco de montaje, hay que observar unas mínimas distancias de separación respecto a los laterales (véanse a tal efecto las cotas y medidas del aparato).

Prestar atención a la temperatura del entorno y la ventilación del aparato

La clase climática a la que pertenece el aparato figura en la placa de características del mismo. E indica a qué temperatura del entorno puede funcionar el aparato.

Clase climática	Temperatura del entorno admisible
SN	50 °F hasta 89.6 °F (+10 °C hasta 32 °C)
N	60.8 °F hasta 89.6 °F (+16 °C hasta 32 °C)
ST	60.8 °F hasta 100.4 °F (+16 °C hasta 38 °C)
T	60.8 °F hasta 109.4 °F (+16 °C hasta 43 °C)

Ventilación

No cubrir ni obstruir en ningún caso las rejillas de ventilación y aireación situadas en el zócalo del aparato. De lo contrario, el aparato tendrá que aumentar su rendimiento, provocando un consumo de energía eléctrica elevado e inútil.

Conexión eléctrica

ADVERTENCIA

Peligro de descargas eléctricas

- Conéctelo a un tomacorriente de 3 conductores con conexión a tierra.
- No desconecte el contacto de toma de tierra.
- No utilice adaptadores.
- No utilice cables de prolongación.

El incumplimiento de estas instrucciones puede ser causa de la muerte, incendios o descargas eléctricas.

El electrodoméstico se provee con un cable de alimentación de 3 conductores, listado según UL en los Estados Unidos.

El electrodoméstico necesita de un tomacorriente de 3 conductores.

El tomacorriente debe haber sido instalado por un electricista autorizado.

ADVERTENCIA

La conexión inadecuada de la puesta a tierra del equipo puede causar descargas eléctricas. Haga controlar el electrodoméstico por un electricista calificado o un técnico de servicio si tiene dudas respecto de la correcta conexión a tierra del electrodoméstico.

Conexión del agua

Se requiere de una conexión de agua fría, para el funcionamiento del generador automático de hielo. La presión del agua debe estar comprendida entre 20 a 100 p.s.i. (1.4 a 6.9 bar).

La instalación debe cumplir con las reglamentaciones de tubería de agua locales y las leyes nacionales correspondientes.

Debe instalarse una válvula de cierre en la conexión de agua del electrodoméstico.

La válvula de cierre no debe encontrarse detrás del electrodoméstico. Se recomienda instalar dicha válvula en la cercanía inmediata del electrodoméstico (unidad base) o en otra zona de fácil acceso.

Instalación y conexión del aparato a las redes eléctrica y de agua

Cerciorarse de que el aparato ha sido instalado y acoplado a las redes eléctrica y de agua por un técnico especialista de la marca, de conformidad a las instrucciones de montaje.

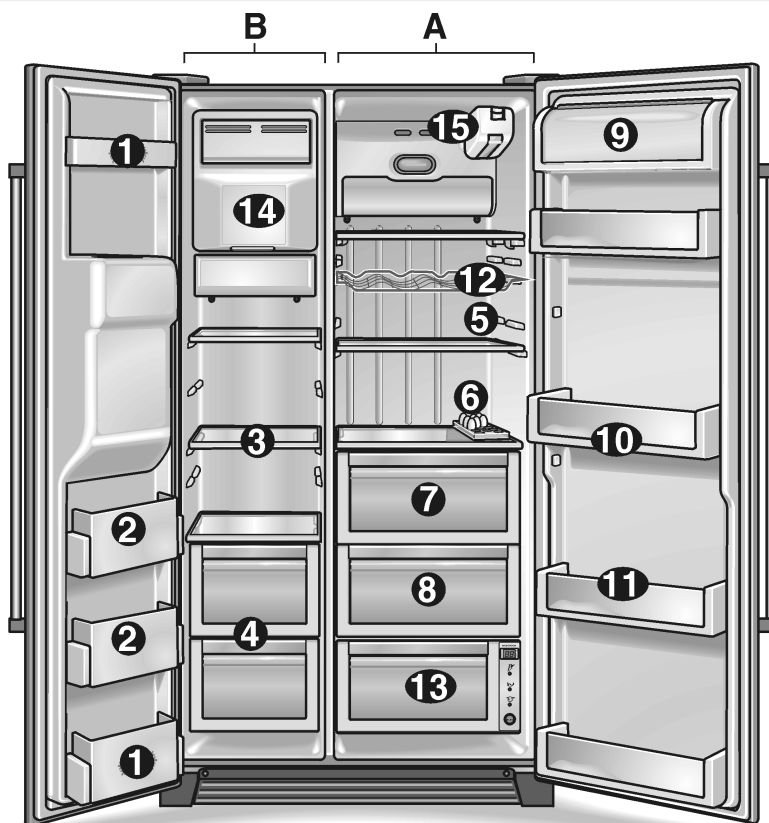
Tras colocar el aparato en su emplazamiento definitivo deberá dejarse reposar éste durante aprox. ½ hora hasta conectarlo. Durante el transporte del aparato es posible que el aceite contenido en el evaporador se desplace por el circuito de frío.

Limpiar el interior del aparato antes de su puesta en funcionamiento inicial (véase el capítulo «Limpieza el aparato»).

i Para más informaciones véase el capítulo «Instrucciones de montaje».

Familiarizándose con el nuevo aparato

Las presentes instrucciones de uso son válidas para varios modelos de aparato. Por ello puede ser posible que existan divergencias en las ilustraciones.



A Compartimento frigorífico

B Compartimento de congelación

1 Estante en la puerta interior del congelador

para guardar por breve período alimentos y helados

2 Soportes de la puerta

Estante en el interior de la puerta del congelador para guardar alimentos congelados.

3 Bandejas de cristal de seguridad – Compartimento de congelación

para guardar alimentos congelados, como por ejemplo carne, pescado, helados.

4 Cajón de congelación

para guardar carne, pescado, aves (envasadas)

5 Bandejas de cristal de seguridad – Compartimento frigorífico

para guardar alimentos cocinados, productos lácteos

6 Huevera

7 Cajón para la verdura

8 Cajón para la fruta

9 Compartimentos para guardar la mantequilla y el queso

10 Compartimiento para garrafas

11 Soportes de la puerta

para guardar latas de conserva, botellas y frascos,

12 Bandeja botellero *

13 Cajón de temperatura controlada (TCD) *

para el almacenamiento óptimo de pescado, carne, aves y verduras

14 Fabricador de hielo

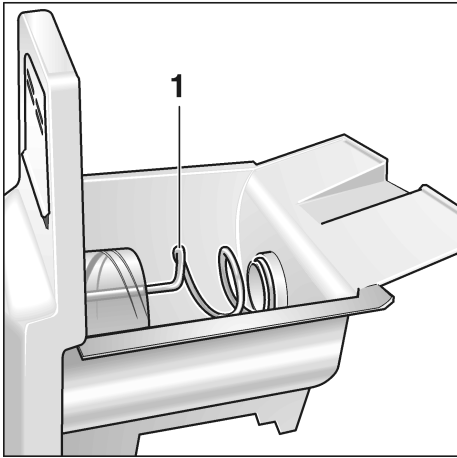
para fabricar y almacenar cubitos de hielo

15 Filtro de agua

* no disponible en todos los modelos

i Posiblemente algunos de los elementos mostrados en la imagen no forman parte del equipamiento del modelo elegido por usted. Ello se debe a que estas instrucciones de uso son válidas para diversos modelos.

Fabricador de hielo



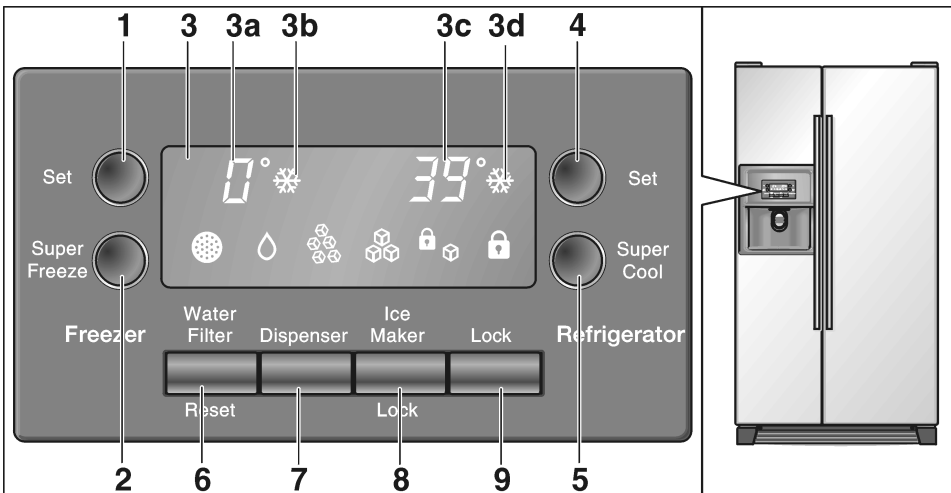
1 Rosca transportadora

Dispensador de hielo y agua



2 Mando contacto para la extracción de agua o hielo
3 Bandeja colectora del agua

Cuadro de mandos



1 Tecla para ajustar la temperatura del compartimento de congelación

2 Tecla super congelación (SUPERFREEZE™)

3 Pantalla de visualización

3a Indicación de la temperatura del compartimento de congelación

3b Indicación super congelación

3c Indicación de la temperatura del compartimento frigorífico

3d Indicación super refrigeración

4 Tecla de ajuste de la temperatura del compartimento frigorífico

5 Tecla super refrigeración (SUPERCOOL™)

6 Tecla Reset para la puesta a cero del filtro de agua

7 Tecla para demandar Agua / Cubitos de hielo / hielo triturado







8 Tecla de bloqueo dispensador de cubitos

para realizar los trabajos de limpieza o en caso de no usar durante un largo período el dispensador de cubitos

9 Tecla de bloqueo para el cuadro de mandos (seguro para niños)

Pulsar la tecla para preservar los ajustes contra modificaciones fortuitas. Para liberar la tecla, mantenerla accionada por 3 segundos.

Explicación de los símbolos en la pantalla de visualización

	«Cambio de filtro necesario» Tras cambiar el filtro, pulsar la tecla Reset del filtro del agua durante aprox. 5 segundos para desactivar la indicación.		«Agua»
	Fabricador de hielo bloqueado		«Hielo picado»
	Cuadro de mandos bloqueado		«Cubitos de hielo»

Conectar el aparato

- ❑ Introducir el enchufe de conexión del aparato en una toma de corriente.

Tras conectar el aparato a la red eléctrica, éste comienza a enfriar. En caso de estar las puertas abiertas, se activa la iluminación interior del mismo.

- i** Las temperaturas preajustadas (ajustes de fábrica) se alcanzan normalmente al cabo de unas dos a tres horas de funcionamiento.

¡No introducir alimentos en el aparato antes de que haya transcurrido este período de tiempo!

Para modificar las temperaturas preajustadas, → véase el capítulo «Ajustar la temperatura».

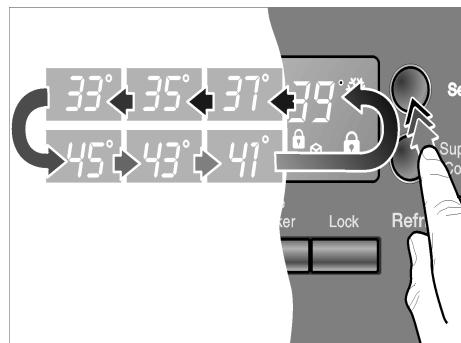
Ajustar la temperatura

La temperatura para los compartimentos frigorífico y de congelación se puede ajustar por separado. El valor seleccionado se muestra en la pantalla de visualización.

La temperatura preajustada de fábrica para el compartimento frigorífico es de **39 °F (4 °C)**.

La temperatura preajustada de fábrica para el compartimento de congelación es de **0 °F (-18 °C)**.

Para modificar los valores:

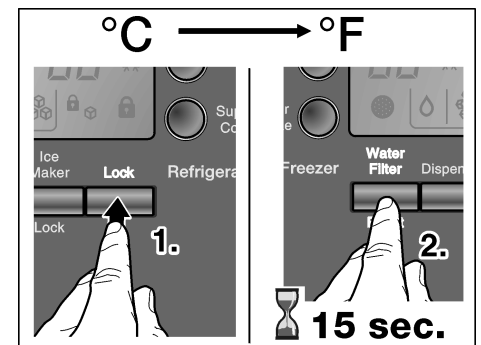


- ❑ Pulsar las teclas de ajuste repetidas veces, hasta que en la pantalla de visualización se muestre la temperatura deseada.

El último valor mostrado en pantalla es memorizado por el sistema.

Unidades de temperatura

La temperatura puede visualizarse en grados Fahrenheit (°F) o bien en grados Celsius (°C).



- ❑ Pulsar la tecla **Lock** (1.).
- ❑ Pulsar y mantener pulsada la tecla **Water Filter Reset** por 15 segundos (2.).

Desconexión y paro del aparato

Desconectar el aparato

- ❑ Extraer el enchufe de conexión del aparato de la toma de corriente de la red eléctrica.

Paro del aparato

En caso de largos períodos de inactividad de la unidad:

- ❑ Retirar todos los alimentos del aparato.
- ❑ Cortar la alimentación de agua del aparato.
- ❑ Vaciar el depósito de los cubitos de hielo (véase el capítulo «Limpiar el aparato»).
- ❑ Extraer el agua residual.
- ❑ Extraer el enchufe de conexión del aparato de la toma de corriente de la red eléctrica.
- ❑ Desmontar el filtro de agua.
- i** Al realizar de nuevo la puesta en marcha del aparato, poner un filtro nuevo.
- ❑ Limpiar el interior del aparato (véase el capítulo «Limpiar el aparato»).

Con objeto de evitar la formación de malos olores, se aconseja dejar las puertas del aparato abiertas.

⚠ CUIDADO ⚠

En caso de amenazar bajas temperaturas, deberá vaciarse el depósito del agua del dispensador de cubitos por un técnico especialista (véanse las instrucciones de montaje).

Puntos a tener en cuenta en caso de cambio de domicilio

Retirar todos los componentes de fácil desmontaje y embalarlos cuidadosamente. Transportar el aparato siempre en posición vertical, una vez que se hayan asegurado las puertas y trampillas con cinta adhesiva.

Funciones

Alarma Puerta

En caso de quedar la puerta del compartimento frigorífico abierta, al cabo de un minuto se produce una señal acústica de alarma, que se repite cada 60 segundos durante un período de 5 minutos.

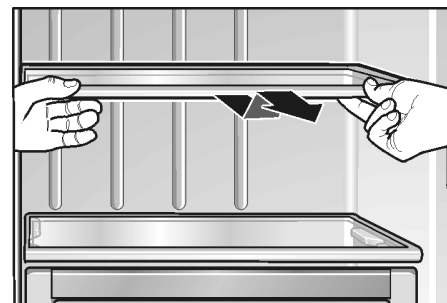
Desconexión automática de la iluminación interior

En caso de que la puerta del compartimento frigorífico permanezca abierta durante más de 10 minutos, la iluminación interior del aparato se desactiva automáticamente a fin de evitar su sobrecalentamiento. Además contribuye a reducir el consumo energético.

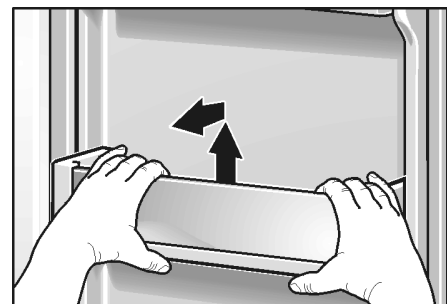
Posibilidad de variar la posición del equipo interior del frigorífico

Las bandejas y, así como los estantes y compartimentos de las puertas, se pueden cambiar de posición y altura en función de las necesidades concretas de cada usuario.

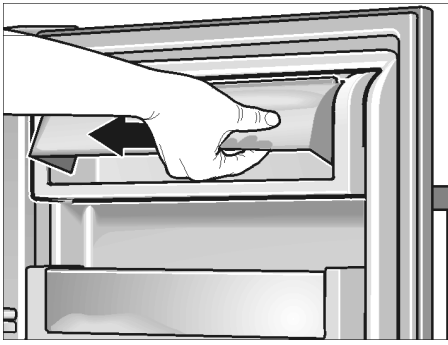
- ❑ Tirar de la bandeja hacia delante y retirarla.



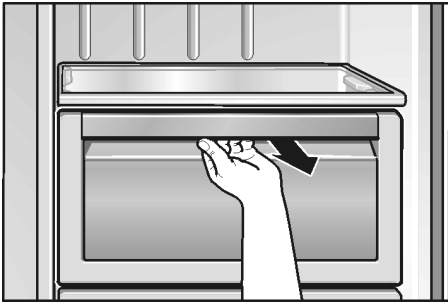
- ❑ Para extraer los soportes y estantes de la puerta deberán levantarse primero de su posición.



- ❑ Alzar ligeramente la tapa del compartimento de la mantequilla y el queso, empujarla hacia la **izquierda** y retirarla.



- ❑ Abrir y alzar ligeramente los cajones y extraerlos.



Compartimento frigorífico

La temperatura del compartimento frigorífico se puede ajustar entre 33 °F y 45 °F (entre +1 °C y +7 °C). Se aconseja ajustar una temperatura de 39 °F (+4 °C).

Utilizar el compartimento frigorífico

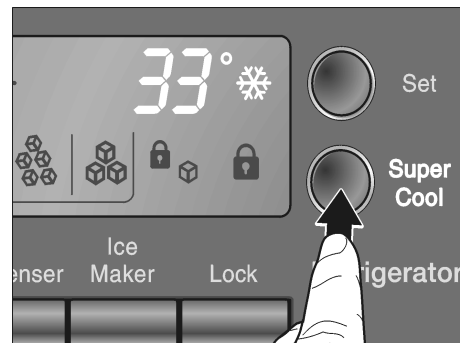
Guardar pan y bollería, platos cocinados, latas de conservas, leche condensada, queso duro, frutas y verduras sensibles al frío: Cítricos y frutas tropicales, como por ejemplo mandarinas, plátanos, piñas (ananás), melones, aguacates, papayas, granadillas, berenjenas. así como fruta que debe madurar, tomates, pepinos, tomates verdes, patatas.

Puntos a tener en cuenta al colocar los alimentos en el aparato:

- Dejar enfriar los alimentos o bebidas calientes hasta una temperatura ambiente antes de introducirlas en el frigorífico.
- Envasar los alimentos herméticamente para que no se deshidraten o pierdan su sabor.
- No permitir que las grasas y aceites entren en contacto con los elementos de plástico del interior del frigorífico o la junta de la puerta.
- Las bebidas con un alto grado de alcohol necesitan envases con cierre hermético; además se deberán colocar siempre en posición vertical. No guardar productos explosivos en el aparato; existe peligro de explosión.

Función super refrigeración (SUPERCOOL™)

La función super refrigeración permite enfriar rápidamente alimentos y bebidas guardados en el compartimento frigorífico. Mediante esta función, el compartimento frigorífico se enfría hasta alcanzar la temperatura más baja posible.



- ❑ Pulsar la tecla «**Super Cool**».

Con cada pulsación de la tecla se activa o desactiva la función de super refrigeración. La función «super refrigeración» activada

se indica mediante la iluminación del símbolo correspondiente en la pantalla de visualización.

- ❑ Después de 40 minutos, la temperatura ajustada antes de la refrigeración ultrarrápida vuelve a ajustarse automáticamente.

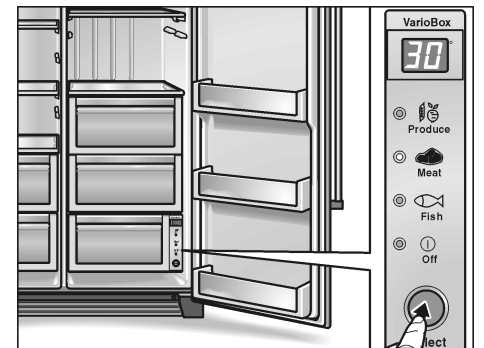
Gaveta de temperatura controlada (TCD)

(no en todos los modelos)

La temperatura en esta gaveta se mantiene constante a 32 °F (0 °C). Esto provee condiciones de almacenamiento óptimas para alimentos frescos.

- Verdura: 38 °F (3 °C)
(*Produce*)
- Carne: 35 °F (2 °C)
(*Meat*)
- Pescado: 32 °F (0 °C)
(*Fish*)

Para un almacenamiento óptimo de los alimentos:



- ❑ Elegir el alimento en cuestión (verdura/carne/pescado) con ayuda de la tecla selectora. La selección se muestra mediante un indicador luminoso y la temperatura correspondientes.

Advertencias:

- En la posición «Off», la gaveta de temperatura controlada adopta la temperatura del compartimento inmediatamente superior.
- La temperatura indicada es la seleccionada. Esto quiere decir, que la temperatura en el interior de la gaveta puede diferir ligeramente de este valor.

Unidades de temperatura

La temperatura puede visualizarse en grados Fahrenheit (°F) o bien en grados Celsius (°C).

- ❑ Pulsar y mantener pulsada la tecla **Select** por 15 segundos.

Productos no adecuados para conservar en la gaveta de temperatura controlada:

- Fruta y verdura sensibles al frío (cítricos, aguacates, papayas, granadillas, berenjenas, pepinos, pimientos)
- Fruta que debe madurar (tomates verdes, plátanos)/hortaliza
- Patatas
- Queso curado

Puntos a tener en cuenta al comprar alimentos frescos:

Que un alimento esté más o menos fresco en el momento de comprarlo es fundamental para su conservación. Por ello deberá tenerse presente que cuanto más fresco estén los alimentos a su introducción en el gaveta de temperatura controlada, más tiempo se conservarán frescos en su interior. Por lo tanto deberá prestarse atención al grado de frescura de los alimentos al comprarlos.

Calendario de conservación a 32 °F (0 °C):

según la calidad de partida del producto	
Embutido, carne, pescado, leche fresca, requesón	hasta 7 días
Carne en trozos pequeños, salchichas, setas, lechugas, acelgas, espinacas	hasta 10 días
Carne en trozos grandes, platos cocinados	hasta 15 días
Embutido ahumado o salado, col	hasta 20 días
rozos de carne grandes cocinados, carne de vaca (buey), caza, legumbres	hasta 30 días

Compartimento de congelación

La temperatura del compartimento de congelación se puede ajustar 6 °F hasta -6 °F (-15 °C hasta -21 °C). Se aconseja ajustar una temperatura de 0 °F (-18 °C).

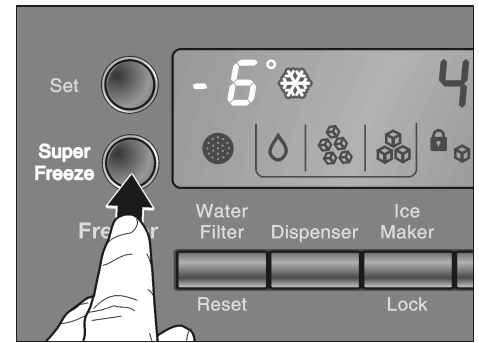
El compartimento de congelación es adecuado para

- guardar productos ultracongelados.
- congelar alimentos frescos
- preparar cubitos de hielo

- i** Preste atención a que la puerta del compartimento de congelación quede siempre cerrada. En caso de no estar bien cerrada la puerta, los alimentos se pueden descongelar, además de producirse una fuerte acumulación de hielo o escarcha en el interior del compartimento de congelación. Además: Las pérdidas energéticas elevan el consumo de corriente.

Función super congelación (SUPERFREEZE™)

Con esta función se pueden congelar simultáneamente grandes cantidades de alimentos frescos. Para ello hay que activar la función – según la cantidad concreta de alimentos que se desea congelar – hasta 24 horas antes de introducir los alimentos frescos en el compartimento de congelación. Con la función super congelación se enfría el compartimento de congelación hasta alcanzar la temperatura más baja posible.



- ❑ Pulsar la tecla «**Super Freeze**».

Con cada pulsación de la tecla se activa o desactiva la función super congelación. La función super congelación activada se indica mediante la iluminación del símbolo correspondiente en la pantalla de visualización.

- i** Después de 150 minutos, la temperatura ajustada antes de la congelación ultrarrápida vuelve a ajustarse automáticamente.

Congelar y guardar alimentos

Almacenar productos ultracongelados

Puntos a tener en cuenta al comprar alimentos ultracongelados:

- ❑ Verifique la fecha de caducidad de los alimentos. Cerciérese de que ésta no ha vencido.
- ❑ Prestar atención a que la envoltura del alimento o producto congelado no presente ningún tipo de daño.

- ❑ La indicación de la temperatura del congelador del establecimiento en donde adquiera los alimentos deberá señalar un valor mínimo de 0 °F (-18 °C), de lo contrario se reduce el período de conservación de los alimentos congelados.
- ❑ Al hacer la compra, recuerde que conviene adquirir los alimentos congelados en el último momento. Procure transportarlos directamente a casa envueltos en un papel de periódico o en una bolsa isotérmica.
- ❑ Una vez en el hogar, deberá colocarlos inmediatamente en el compartimento de congelación. Consumir los alimentos antes de que su fecha de caducidad venza
- ❑ Los alimentos que se hayan descongelado o hayan empezado a descongelarse, sólo se podrán volver a congelar si se elaboran y preparan con ellos platos cocinados (cociéndolos, hirviéndolos, asándolos o friéndolos): a continuación se puede volver a congelar el plato preparado.

Congelar alimentos frescos en casa

Si decide congelar usted mismo los alimentos, utilice únicamente alimentos frescos y en perfectas condiciones. Envasar los alimentos herméticamente para que no se deshidraten o pierdan su sabor. Para que los alimentos conserven su valor nutritivo, vitaminas y buen sabor.

Manera de envasar correctamente los alimentos:

- ❑ Introducir los alimentos en la envoltura prevista a dicho efecto.
- ❑ Procurar eliminar todo el aire que pudiera haber en el envase.
- ❑ Cerrarlo herméticamente.
- ❑ Marcar los envases, indicando su contenido y la fecha de congelación.

Materiales no apropiados para el envasado de alimentos:

Papel de empaquetar, papel apergaminado, celofán, bolsas de la basura y bolsitas de plástico de la compra ya usadas.

Materiales indicados para el envasado de los alimentos:

Láminas de plástico, bolsitas y láminas de polietileno, papel de aluminio, cajitas y envases específicos para la congelación de alimentos. Todos estos productos y materiales se pueden adquirir en la mayoría de los supermercados, grandes almacenes o en el comercio especializado.

Materiales apropiados para el cierre de los envases:

Gomitas, clips de plástico, bramante, cinta adhesiva incongelable, etc.

Las bolsitas o láminas de plástico de polietileno se pueden termosellar con una soldadora de plásticos.

Capacidad máxima de congelación

La capacidad de congelación del aparato permite congelar en un plazo de 24 horas hasta un máximo de 10 kg de alimentos frescos de una sola vez.

Calendario de congelación

El plazo de conservación varía en función del tipo del alimento congelado.

A una temperatura media:

El pescado, el embutido y los platos cocinados, así como el pan y la bollería	hasta 6 meses
El queso, las aves y la carne	hasta 8 meses
La fruta y verdura	hasta 12 meses

Descongelar los alimentos

Según la naturaleza y el uso que se prevea hacer de los alimentos, éstos se pueden descongelar del modo siguiente:

- a temperatura ambiente,
- en el frigorífico,
- en el horno eléctrico con / sin calentador de aire caliente,
- en el horno microondas.

Advertencia

Los alimentos que se hayan descongelado o hayan empezado a descongelarse, asar, freír, hervir o preparar con ellos platos cocinados, antes de volver a congelarlos.

En este caso no se deberá agotar al máximo el tiempo de caducidad de los productos.

Dispensador automático de cubitos de hielo y agua fría

Según los deseos concretos, se pueden extraer

- agua fría
- cubitos de hielo
- hielo picado

ADVERTENCIA

- ¡No usar recipientes frágiles para extraer agua o cubitos de hielo – existe peligro de lesiones a causa de la rotura del cristal!
- ¡No introducir las manos en la abertura de salida del hielo – ¡peligro de lesiones a causa de las cuchillas para picar el hielo!

i El dispensador de hielo y agua sólo funciona si el aparato está conectado a la red eléctrica y de agua.

Puntos a tener en cuenta al poner en funcionamiento un aparato por primera vez

Tras conectar el aparato a la red de agua, aún quedan burbujas de aire en las tuberías.

Pulsando la tecla 1 suministro de agua, extraiga el agua y evácuela en el desagüe, hasta que salga sin burbujas. Verter al desagüe los primeros cinco vasos de agua.

Al usar por vez primera el dispensador de hielo y por razones de higiene, se aconseja no consumir los primeros 30 ó 40 cubitos de hielo.

Advertencias relativas al funcionamiento del dispensador de hielo

Una vez que el compartimento de congelación ha alcanzado su temperatura de congelación, entra agua en el dispensador de hielo, donde se congela en las cámaras, formando cubitos. Los cubitos de hielo listos se vierten automáticamente al depósito de cubitos.

Ocasionalmente algunos cubitos pueden quedar adheridos entre sí. Sin embargo, suelen separarse cuando son conducidos hacia la abertura de suministro.

Cuando como el depósito de cubitos de hielo está lleno, se desactiva automáticamente el proceso de fabricación de hielo.

El dispensador de cubitos puede fabricar hasta aprox. 100 cubitos de hielo en 24 horas.

¡No colocar botellas ni alimentos en el depósito de los cubitos de hielo para enfriarlos rápidamente! El fabricante de cubitos de hielo podría quedar bloqueado y sufrir daños.

Tras la puesta en marcha del aparato, se requieren 24 horas hasta obtener la primera tanda de cubitos.

Durante el proceso de elaboración de los cubitos de hielo, se puede escuchar el zumbido de la válvula de agua, el sonido del agua al entrar en la cubitera y la caída de los cubitos en el depósito.

Observaciones y advertencias relativas a la calidad del agua potable

Los materiales empleados en la fabricación del dispensador de cubitos son inodoros y neutrales al gusto.

No obstante, si el agua tuviera algún sabor, ello puede deberse a las siguientes causas:

- al contenido de minerales y cloro del agua de red
- al material de las tuberías de la alimentación de agua doméstica
- a la frescura del agua (en caso de no haber retirado durante un período prolongado agua del dispensador, el agua puede saber «a vieja». En tal caso deberán llenarse y verterse en el desagüe unos 15 vasos de agua antes de consumir el agua suministrada por el dispensador).

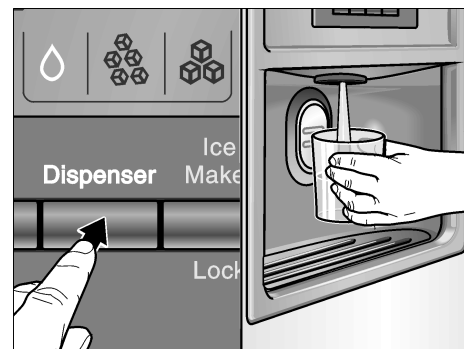
El sabor y olor del agua se pueden mejorar instalando el filtro de agua suministrado con el aparato en la alimentación de agua.

CUIDADO

El filtro de agua suministrado con el aparato filtra exclusivamente las partículas contenidas en el agua de red, no reteniendo, por lo tanto, bacterias o microbios.

Extracción de agua

- Pulsar la tecla hasta que el símbolo se ilumine.



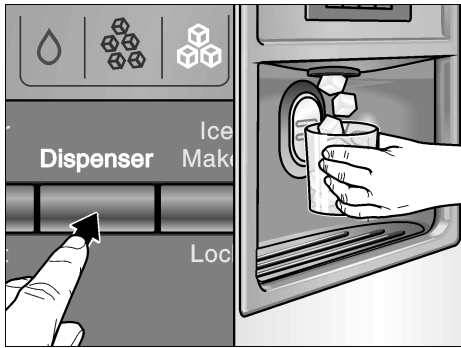
- Presionar el vaso contra el mando de contacto para la extracción. El proceso de extracción queda interrumpido tan pronto como se retira el vaso del mando de extracción.

Un consejo práctico:

El agua suministrada por el dispensador tiene una temperatura adecuada para tomarla inmediatamente. En caso de desear que el agua esté más fría, poner unos cubitos de hielo en el vaso antes de extraer el agua del dispensador.

Extracción de hielo

- ❑ Pulsar la tecla de selección hasta que el símbolo de los cubitos de hielo o de hielo picado se ilumine.



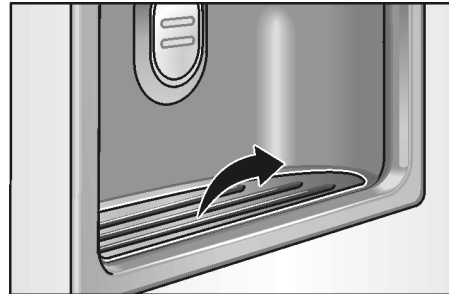
- ❑ Colocar un recipiente adecuado y presionarlo contra el mando de contacto de extracción.

Advertencia

- Retirar el recipiente del mando de extracción cuando esté aprox. a medio llenar. El hielo acumulado en la salida del dispensador puede hacer rebosar el recipiente o bloquear la salida misma.
- Después de una conmutación de la función de extracción de cubitos de hielo a la extracción de hielo triturado, todavía puede haber cubitos de hielo en el expendedor. Estos saldrán con las primeras porciones de hielo triturado que se extraen.

Retirar la bandeja colectora del agua y limpiarla

El agua derramada es recogida en la bandeja colectora. Esta bandeja se puede extraer de su alojamiento para vaciarla y limpiarla.

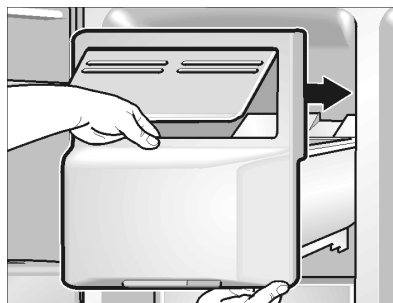


Retirar y limpiar el depósito de cubitos de hielo

En caso de no extraer del dispensador cubitos de hielo durante un periodo de tiempo prolongado, éstos pierden parte de su volumen, saben «a viejo» y se adhieren entre sí.

- ❑ Retirar el depósito, vaciarlo y enjuagarlo con agua tibia.
- ❑ Secar bien con un paño el depósito y la rosca transportadora, a fin de evitar que los cubitos de hielo nuevos puedan quedar adheridos.

Colocar el depósito de cubitos de hielo



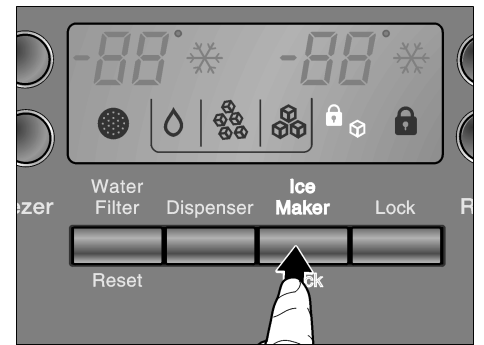
- ❑ Empujar el depósito sobre sus soportes completamente hacia atrás, hasta que enclave.

- ❑ En caso de no poder desplazar el depósito completamente hacia atrás, girar algo la rosca de transporte en el depósito.

La producción de cubitos de hielo continúa.

Paro del dispensador de cubitos

En caso de no extraer previsiblemente cubitos de hielo durante un período superior a una semana (por ejemplo en la época de vacaciones), deberá pararse pasajeramente el dispensador de cubitos, a fin de evitar que éstos se adhieran entre sí.



- ❑ Pulsar la tecla de bloqueo dispensador de cubitos «Ice Maker Lock». El símbolo se ilumina.
- ❑ Retirar el depósito de cubitos de hielo, vaciarlo y volverlo a colocar en su sitio. Prestar atención a que el depósito encaje en su base de apoyo.

Para volver a poner en marcha el fabricante de hielo:

- ❑ Pulsar la tecla de bloqueo dispensador de cubitos «Ice Maker Lock». El símbolo se apaga.

Filtro de agua



ADVERTENCIA



A fin de evitar enfermedades graves o aún la muerte, no utilice agua microbiológicamente o químicamente insegura o bien de calidad desconocida sin una desinfección adecuada o tratamiento similar antes o después de usar el filtro.

Cambio del filtro



ADVERTENCIA



Para evitar descargas eléctricas que pueden causar lesiones serias o aún la muerte, desconecte el electrodoméstico antes de limpiarlo. Una vez limpio, vuelva a conectarlo.



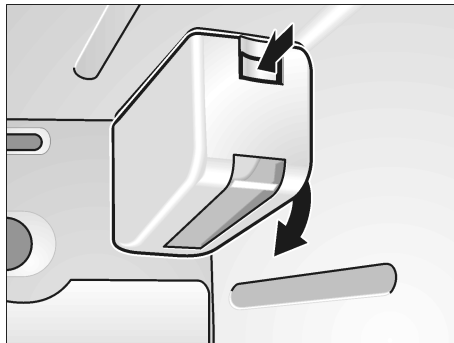
ADVERTENCIA



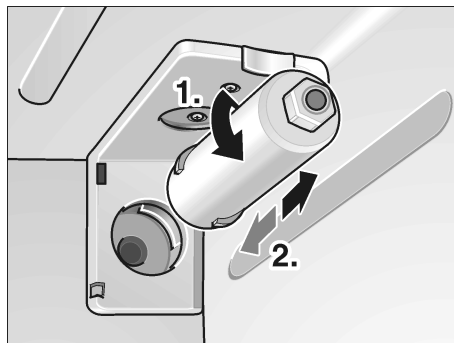
- Una vez que cambie el filtro, descarte la producción de hielo de las primeras 24 horas posteriores a la operación de cambio.
- Si el hielo no ha sido usada por un tiempo prolongado, descarte todos los cubitos de hielo que se encuentran en el recipiente correspondiente y también aquellos que se produzcan en las primeras 24 hs posteriores.
- Si el electrodoméstico o el hielo no fueron utilizados por varias semanas o meses, o bien si los cubitos de hielo tienen un gusto o olor desagradables, cambie el filtro.
- El aire atrapado en el sistema puede causar la eyección violenta del agua o del elemento filtrante. Sea cauteloso cuando proceda al desarmado.
- El filtro debe cambiarse como mínimo cada 6 meses.

Se puede adquirir un nuevo filtro de agua en nuestro Servicio Técnico.

- ❑ Desconectar la alimentación de agua al refrigerador.



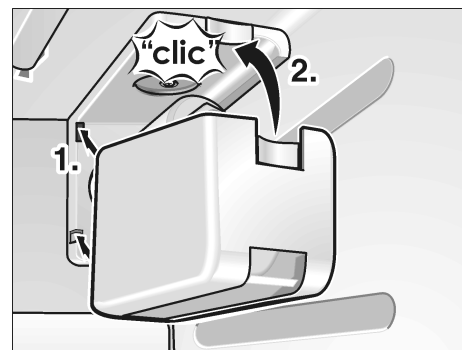
- ❑ Presionar el botón y quitar la cobertura del compartimiento del filtro de agua.



- ❑ Girar el elemento filtrante cuidadosamente 90° en sentido antihorario (1) y extraerlo.

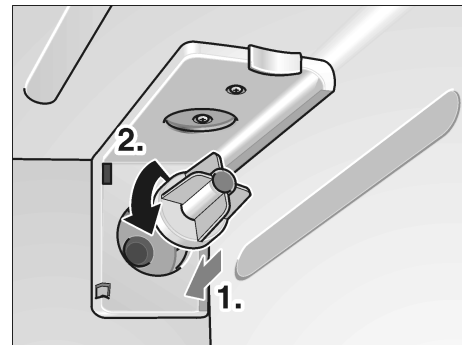
Extraer un elemento filtrante nuevo de su embalaje y quitar la capa protectora.

- ❑ Insertar el elemento filtrante nuevo en el soporte y girarlo cuidadosamente 90° en sentido horario.



- ❑ Colocar la cobertura del compartimiento del filtro de agua.

- i** El electrodoméstico puede utilizarse sin el filtro de agua. Si usted elige esta opción, reemplace el filtro de agua por una cobertura bypass.



Filtro de agua – Hoja de datos del producto



Performance Data Sheet

Models CS-451/CS-452

These systems have been tested according to ANSI/NSF 42 for the reduction of the substances listed below. The concentration of the indicated substances in water entering the system was reduced to a concentration less than or equal to the permissible limit for water leaving the system as specified in ANSI/NSF 42.



System tested and certified by NSF International against ANSI/NSF Standard 42 for the reduction of Chlorine Taste and Odor.

Capacity: 1500 gallons (5,678 liters) depending on local water conditions.

Contaminant Reduction Determined by NSF Testing

Contaminant Reduction	Average Influent	NSF specified Influent challenge concentration	Avg. Product Water	Avg. % Reduction	NSF Reduction Requirements	NSF Test
Chlorine Taste and Odor	2.0	2.0 mg/L \pm 10%	0.28	86	\geq 50%	503821-01

For cold water use only.

Application Guidelines/Water Supply Parameters	
Service flow	0.5 gpm (1.89 lpm)
Water supply	Community or private well
Water pressure	25 - 125 psi (172 - 862 kPa)
Water temperature	40°F - 100°F (4.4°C - 38°C)

It is essential that operational, maintenance and filter replacement requirements be carried out for this product to perform as advertised. Change cartridges every 6 months. Flush new cartridge for 5 minutes. Use replacement cartridges CS-51 or CS-52.

Do not use with water that is microbiologically unsafe or of unknown quality without adequate disinfection before or after the system.

Systems must be installed and operated in accordance with manufacturer's recommended procedures and guidelines.

Warranty: See Warranty Card.

Note that while the testing was performed under standard laboratory conditions, actual performance may vary.

For service and parts contact your local dealer or:



Water Group

CUNO Incorporated

400 Research Parkway

Meriden, CT 06450, USA

Toll Free: 1-888-218-CUNO

Worldwide: 203-237-5541

Fax: 203-238-8701

www.cuno.com

Consejos prácticos para ahorrar energía eléctrica

- ❑ Emplazar el aparato en una habitación seca y fresca, dotada de una buena ventilación. El aparato no debe instalarse de forma que reciba directamente los rayos del sol, ni encontrarse tampoco próximo a un foco activo de calor tal como cocinas, calefacciones, etc. No obstante, si esto último fuera inevitable, se habrá de proteger la unidad con un panel aislante adecuado.
- ❑ Dejar enfriar los alimentos o bebidas calientes hasta una temperatura ambiente antes de introducirlos en el aparato.
- ❑ Descongelar los productos congelados en el interior del frigorífico. De este modo se aprovecha el frío acumulado en el alimento para refrigerar los alimentos frescos del frigorífico.
- ❑ ¡Mantener abierta la puerta del aparato el menor tiempo posible!

Ruidos de funcionamiento del aparato

Ruidos de funcionamiento normales del aparato

Los ruidos en forma de **murmullos sordos** se deben al funcionamiento del grupo frigorífico. El ventilador del sistema de circulación del aire está funcionando.

Los ruidos en forma de gorgoteo – se producen al fluir el agua a través de las tuberías en el dispensador de cubitos.

Los ruidos en forma de **clic** – se escuchan cuando el motor se conecta o desconecta, o la electroválvula en la toma de agua abre y cierra.

Los ruidos característicos de la **caída de los cubitos de hielo** – se producen cuando los cubitos de hielo listos caen en el recipiente colector.

Ruidos que se pueden solucionar fácilmente

El aparato está colocado en posición desnivelada

Nivelar el aparato con ayuda de nivel de burbuja y los soportes roscados del aparato; calzarlo en caso necesario.

El aparato entra en contacto con muebles u otros objetos

Retirar el aparato de los muebles u otros aparatos con los que esté en contacto.

Los cajones, bandejas y estantes oscilan o están agarrotados

Verificar los elementos desmontables y, en caso necesario, colocarlos en un nuevo emplazamiento.

Las botellas o recipientes entran en contacto mutuo

Separar algo las botellas y los recipientes.

Al desescarchar el aparato

El desescarchado del aparato se efectúa automáticamente.

El agua generada durante el proceso de descongelación se conduce hasta la bandeja de evaporación situada en la parte posterior de la unidad, donde se evapora.

Limpieza de la unidad



ADVERTENCIA



Para evitar descargas eléctricas que pueden causar lesiones serias o aún la muerte, desconecte el electrodoméstico antes de limpiarlo. Una vez limpio, vuelva a conectarlo.



CUIDADO



Para evitar lesiones personales o daños materiales, tenga en cuenta lo siguiente:

- No limpie el electrodoméstico con un limpiador a vapor.
- No deje gotear el agua de la limpieza sobre la luz o el panel de control.
- No utilice agentes de limpieza abrasivos o ácidos que puedan dañar las superficies del electrodoméstico.
- Nunca limpie los estantes y gavetas en el lavavajillas. Pueden deformarse.

- ❑ ¡Apague el electrodoméstico a través del pulsador POWER! Desconecte el enchufe o corte el fusible.
- ❑ Limpiar la junta de la puerta sólo con agua clara, secándola bien a continuación.
- ❑ Limpiar el aparato con agua tibia y algo de detergente desinfectante, como por ejemplo un lavavajillas manual suave. Téngase presente que el agua empleada en la limpieza del aparato no debe penetrar en el cuadro de mandos ni entrar en contacto con la iluminación.

No introducir las bandejas de cristal de seguridad de vidrio frías directamente del frigorífico en el agua caliente para su limpieza.

No lavar nunca las bandejas, compartimentos o estantes del aparato en el lavavajillas. Las piezas pueden deformarse.

- ❑ Tras concluir la limpieza del aparato, introducir el enchufe de conexión en la toma de corriente o conectar el fusible.



ADVERTENCIA



No tocar los productos congelados con las manos húmedas a fin de evitar que se queden adheridas ¡Peligro de quemaduras a causa de las bajas temperaturas! ¡Peligro de lesiones!

¡No utilizar ningún tipo de limpiadora de vapor! El vapor caliente podría penetrar en interior del aparato, accediendo a los elementos conductores de corriente y provocar cortocircuitos o incluso sacudidas eléctricas. Además, el vapor caliente podría dañar las superficies de plástico del aparato.

Pequeñas averías de fácil solución

Antes de avisar al Servicio de Asistencia Técnica:

Compruebe si la avería o fallo que usted ha constatado se encuentra recogida en los siguientes consejos y advertencias.

¡De este forma se evitará usted gastos innecesarios, dado que en estos casos, los gastos del técnico no quedan cubiertos por las prestaciones del servicio de garantía!

Compartimentos frigorífico y de congelación

Avería	Posible causa	Forma de subsanarla
El aparato no enfría. La iluminación interior no funciona.	Se ha producido un corte del suministro de corriente eléctrica; el fusible se ha fundido; el enchufe del aparato no está asentado correctamente en la toma de corriente.	Verificar si hay corriente eléctrica, cerciorarse de que el fusible de la red está conectado.
La frecuencia y duración de la conexión del grupo frigorífico aumenta.	La puerta del frigorífico se ha abierto demasiadas veces.	No abrir la puerta innecesariamente.
	Se ha introducido una gran cantidad de alimentos frescos.	No superar la máxima capacidad de congelación de alimentos frescos del aparato.
	Las aberturas de ventilación y aireación están obstruidas.	Eliminar la causa de la obstrucción.
La temperatura en el interior del compartimento frigorífico o de congelación es demasiado baja (frío).	El selector de temperatura está ajustado a un valor demasiado alto (demasiado frío).	Ajustar una temperatura más elevada (más calor). Véase al respecto el capítulo «Ajustar la temperatura».
Los productos o alimentos congelados han quedado adheridos entre sí.		Desprenderlos con un objeto romo. No tratar de desprenderlos con un cuchillo u objeto puntiagudo.
En el compartimento de congelación se ha formado una gruesa capa de hielo o escarcha.		Prestar atención a que la puerta del aparato esté siempre cerrada.
La iluminación interior no funciona.	La bombilla está fundida.	Sustituir la bombilla (véase el capítulo «Sustituir la bombilla»).
	El interruptor de la luz está agarrotado.	Verificar la movilidad del interruptor.
El compartimento de congelación no alcanza la temperatura ajustada.	La puerta del compartimento de congelación ha permanecido largo tiempo abierta. La capa de escarcha o hielo acumulada en el evaporador (generador de frío) es tan gruesa que el sistema de desescarchado automático no alcanza a descongelarla.	Sacar los productos congelados del aparato, envolverlos adecuadamente para aislarlos y colocarlos en un lugar lo más frío posible. El hielo o escarcha acumulados en el compartimento de congelación se habrá fundido al cabo de unas 12 horas. Conectar el aparato e introducir los alimentos en el compartimento de congelación. Advertencia! No abrir la puerta del compartimento frigorífico inútilmente, a fin de evitar al máximo las pérdidas de frío. Si la avería persistiera y no se pudiera subsanar en función de los consejos y advertencias anteriores, deberá avisarse al Servicio de Asistencia Técnica Oficial de la marca.

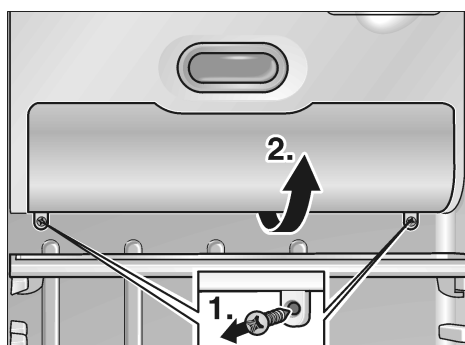
Dispensador de agua y hielo

Avería	Posible causa	Forma de subsanarla
No se suministran cubitos de hielo a pesar de que el aparato lleva funcionando largo tiempo.	La válvula de alimentación del agua está cerrada.	Abrir la válvula de alimentación del agua.
	La alimentación de agua está desconectada. La presión del agua de red es insuficiente.	Avisar al fontanero.
	El dispensador de cubitos está bloqueado. En la pantalla de visualización se ilumina el símbolo correspondiente.	Pulsar la tecla de bloqueo «Dispensador de cubitos».
	La temperatura en el compartimento de congelación es demasiado elevada.	Bajar la temperatura del compartimento de congelación (véase al respecto el capítulo «Ajustar la temperatura»).
Aunque los cubitos de hielo están en el depósito de cubitos, éstos no se suministran.	Los cubitos de hielo están adheridos entre sí.	Retirar el depósito de los cubitos de hielo y vaciarlo.
Los cubitos de hielo han quedado atascados en la salida del depósito de cubitos o en el mecanismo picador de los mismos.		Retirar el depósito de hielo y girar a mano la rosca de transporte. Retirar los cubitos de hielo agarrotados con ayuda de un palillo.
Los cubitos de hielo están blandos ('acuosos').	Los cubitos se han descongelado – Por ejemplo a causa del corte del suministro de corriente o porque la puerta del compartimento de congelación no se ha cerrado correctamente.	Retirar el depósito de los cubitos de hielo de su emplazamiento, vaciarlo y secarlo.
Los cubitos de hielo pierden volumen.		El aire frío que penetra en el depósito los hace mermar algo en su tamaño, principalmente cuando no se extraen con frecuencia. Esto es un fenómeno normal.
La tapa del dispensador de hielo no cierra correctamente.	Los cubitos de hielo obstruyen el desplazamiento de la tapa.	Retirar cubitos.
Los cubitos de hielo se quedan adheridos a la cubitera.	En las cubiteras pueden acumularse incrustaciones de cal procedentes del agua.	Humedecer un paño en vinagre y limpiar las cubiteras. Limpiar las cubiteras cada vez que se limpie el frigorífico si se comprueba que se han formado incrustaciones de cal.
Los cubitos de hielo tienen un tamaño irregular y en el depósito de hielo hay agua acumulada.	El aparato no está colocado en posición horizontal.	Alinear el aparato con ayuda de un nivel de burbuja y de los soportes roscados. (Véanse a este respecto las instrucciones de montaje del aparato).
El dispensador de agua no funciona.	La válvula de alimentación del agua está cerrada.	Abrir la válvula de alimentación del agua.
	La alimentación de agua está desconectada. La presión del agua de red es insuficiente.	Avisar al fontanero.
	La temperatura en el compartimento de congelación es demasiado elevada.	Bajar la temperatura del compartimento de congelación (véase al respecto el capítulo «Ajustar la temperatura»).

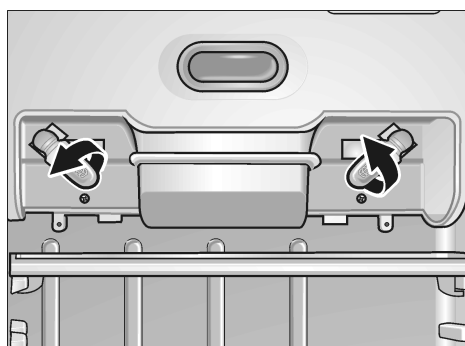
Sustituir las bombillas

Sustituir la bombilla en el interior del aparato

- ❑ ¡Atención! Extraer el enchufe de conexión del aparato de la toma de corriente de la red o desconectar el fusible!
- ❑ Soltar los dos tornillos debajo de la tapa protectora; retirar la tapa.



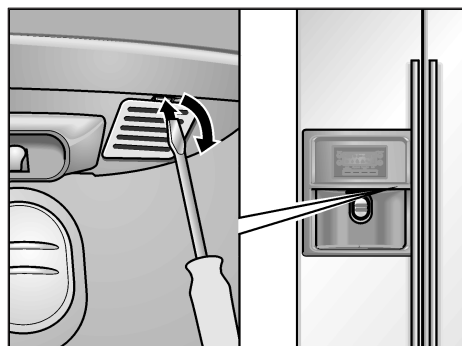
- ❑ Sustituir la bombilla fundida por una nueva. Bombilla de repuesto, máx. 25 W, 115 V, corriente alterna, base E14.



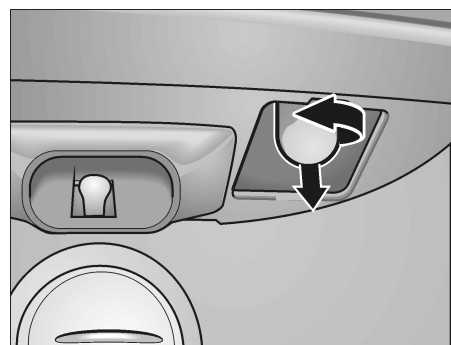
- ❑ Montar la tapa protectora en su sitio.

Sustituir la bombilla del dispensador de hielo y agua

- ❑ ¡Atención! Extraer el enchufe de conexión del aparato de la toma de corriente de la red o desconectar el fusible!
- ❑ Desmontar la tapa protectora haciendo palanca con un destornillador.



- ❑ Sustituir la bombilla fundida por una nueva. Bombilla de repuesto, máx. 25 W, 115 V, corriente alterna, base E14.

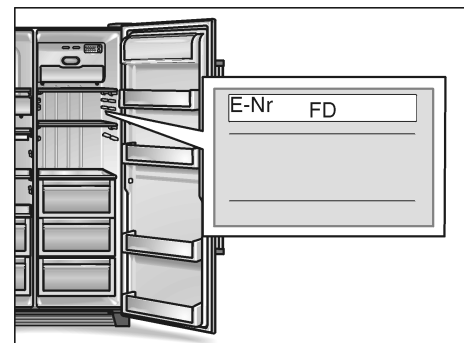


- ❑ Montar la tapa protectora en su sitio.

Avisar al Servicio de Asistencia Técnica Oficial

La dirección y el número de teléfono del Servicio de Asistencia Técnica más próximo a su domicilio figuran en la guía telefónica de su localidad o en la lista de Centros de Asistencia Técnica adjunta. Al solicitar la intervención del Servicio de Asistencia Técnica, no olvide indicar el Número de producto (E-Nr.) y el Número de fabricación (FD) de su unidad.

Ambos números se encuentran en la placa de características del aparato.



De este forma se evitará usted gastos innecesarios, dado que en estos casos, los gastos del técnico no quedan cubiertos por las prestaciones del servicio de garantía.

Instrucciones de montaje

Advertencia importante

Las presentes instrucciones de montaje son válidas para diferentes modelos.

En algunos modelos no hay que ejecutar todas los pasos detallados en las instrucciones de montaje.

El equipo debe emplazarlo y conectarlo exclusivamente personal adecuadamente especializado, según estas instrucciones de montaje.

Efectuar la conexión del aparato a la red de agua ANTES que a la red eléctrica.

Observar estrictamente las normas nacionales vigentes del sector, así como las normas y disposiciones de las empresas locales de abastecimiento de electricidad y agua.

Guardar las instrucciones de montaje en un lugar accesible.

Emplazamiento del aparato

Atención:

El peso del aparato es considerable. En la tabla adjunta figura el peso en vacío del aparato en sus diferentes variantes.

Modelo básico	229 lbs (104 kg)
Modelo con dispensador de hielo	248.5 lbs (113 kg)

El lugar más adecuado para el emplazamiento del congelador es una habitación seca, dotada de una buena ventilación. Recuerde además que el aparato no debe instalarse de forma que reciba directamente los rayos del sol, ni encontrarse tampoco próximo a focos activos de calor tales como cocinas, calefacciones, etc. No obstante, si esto último fuera inevitable, se habrá de proteger la unidad con un panel aislante adecuado, o bien observar las siguientes distancias mínimas de separación con respecto a la fuente de calor en cuestión:

- Cocinas eléctricas, 1¹/₄" (3 cm).
- Cocinas de gas-oil o de carbón, 11³/₁₆" (30 cm)

Cerciorarse de que el suelo de la habitación posee suficiente resistencia y capacidad de sustentación. En caso necesario, reforzar el suelo del recinto.

Para asegurar el funcionamiento correcto del dispensador de hielo, el aparato tiene que encontrarse en posición vertical. Al instalar el aparato en una esquina de la habitación o en el hueco de un mueble, las puertas sólo se podrán abrir completamente hasta el tope si se observan estrictamente las mínimas distancias de separación prescritas (véanse al respecto las cotas y medidas de montaje del aparato).

Desembalar el aparato

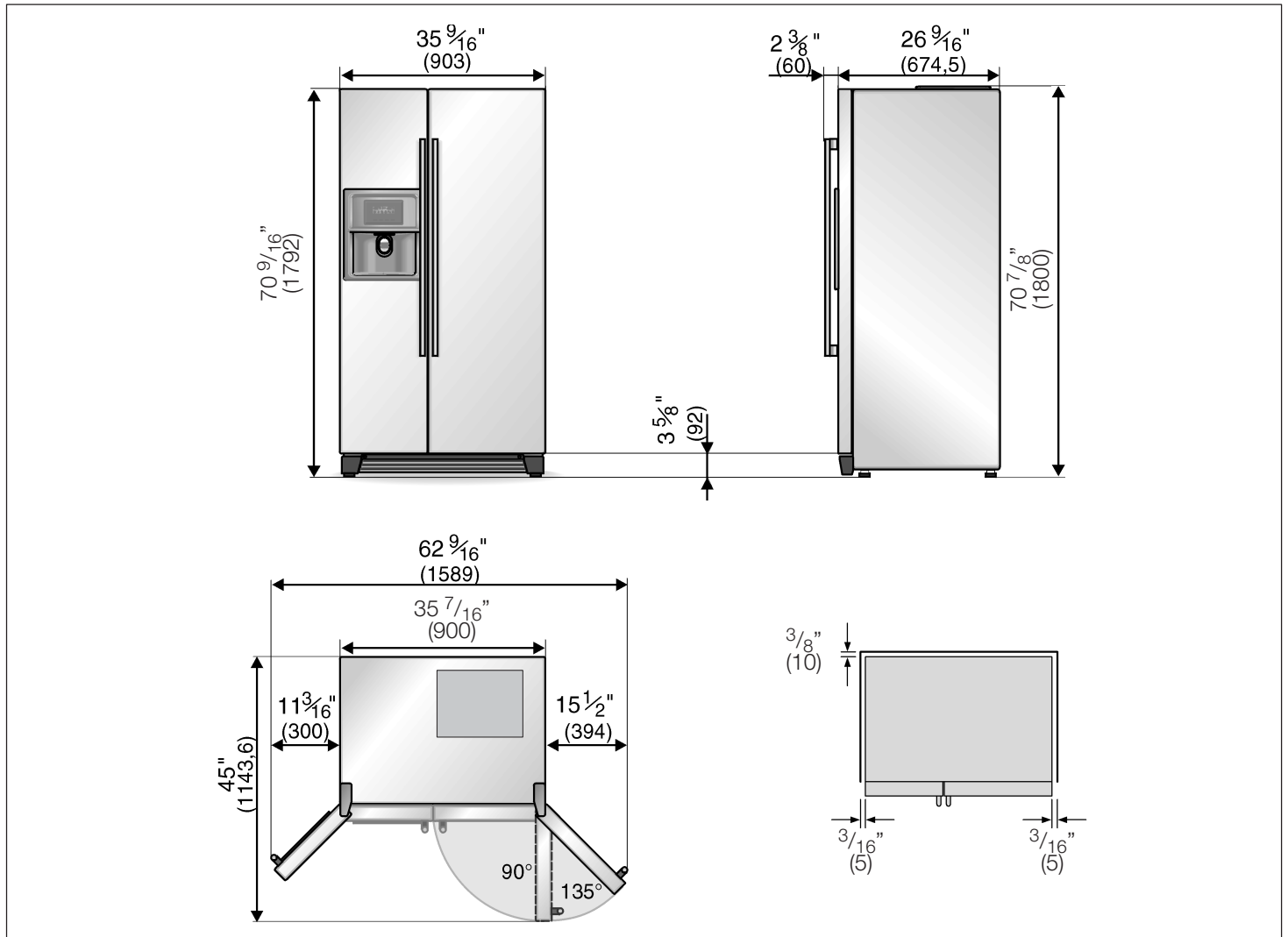
- ❑ Retirar el material de embalaje y las cintas adhesivas. (Los restos de adhesivo de las cintas que pudiera haber en el cuerpo del aparato se pueden eliminar con ayuda de la cara adhesiva de las cintas retiradas. Para ello colocar a tal efecto la cinta con su cara adhesiva sobre los restos de adhesivo y retirarla.)
- ❑ Retirar los seguros de transporte de las bandejas y baldas de vidrio (tapones de plástico) sólo una vez que se ha instalado el aparato en su emplazamiento definitivo.
- ❑ Retirar los seguros de transporte del dispensador de hielo una vez que se ha instalado el aparato en su sitio; extraer para ello el dispensador de hielo de su alojamiento.



Atención:

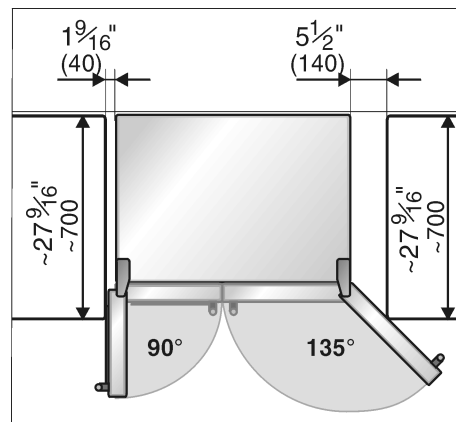
Antes de conectar el aparato a la red eléctrica, cerciorarse de que se han retirado todos los elementos de embalaje tanto del interior como del exterior del aparato.

Cotas y medidas del aparato



En caso que los muebles de cocina contiguos excedan las 23" (60 cm) de profundidad, deberá dejarse un espacio suficiente a los costados, con el fin de aprovechar el ángulo de apertura de la puerta

Ángulo de apertura de la puerta	Mínima distancia
90°	$1 \frac{9}{16}$ " (40 mm)
135°	$5 \frac{1}{2}$ " (140 mm)



En caso de colocarse un revestimiento o un armario por encima del aparato, deberá preverse una rendija, a fin de poder extraer el aparato de su alojamiento.

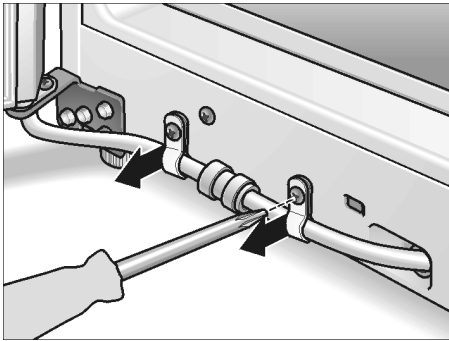
Desmontar las puertas del aparato

En caso de no haber el aparato a través de la puerta de la vivienda, se pueden desmontar las puertas del mismo.

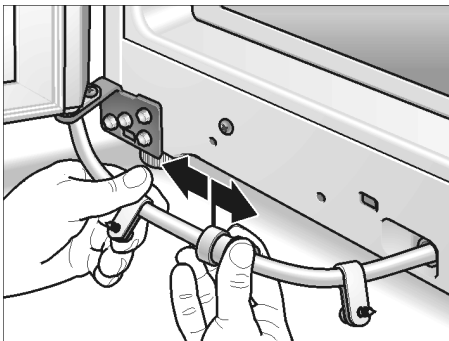
Aconsejamos encargar al ejecución de estos trabajos a nuestro Servicio de Asistencia Técnica Oficial.

Desmontar la puerta del compartimento de congelación

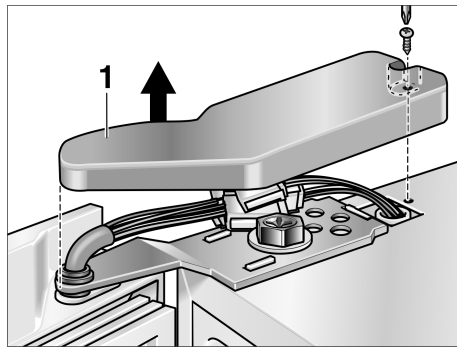
- ❑ Retirar la caperuza protectora de la bisagra inferior.
- ❑ Desempalmar la manguera de alimentación de agua de su empalme de la puerta:



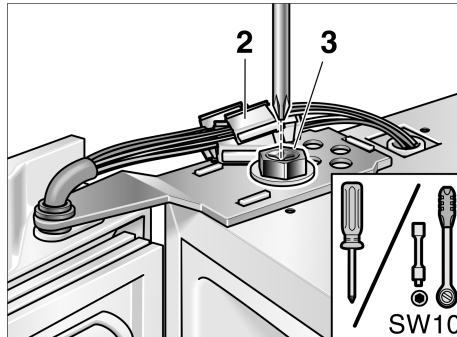
- Soltar las abrazaderas en el empalme de la manguera.



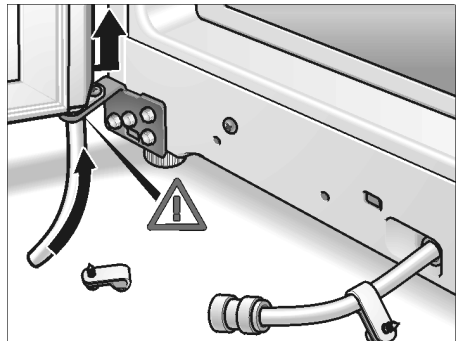
- Presionar el anillo tensor en dirección a la flecha y desempalmar simultáneamente la manguera de su acoplamiento.



- ❑ Retirar la tapa protectora de la bisagra superior (1).



- ❑ Desacoplar el enchufe de las conexiones a la red eléctrica de la conexión de la puerta (2).
- ❑ Sujetar la puerta y extraer el tornillo (3) de la bisagra superior.



- ❑ Retirar la puerta del pivote de la bisagra inferior.

¡Prestar atención, al retirar y colocar la puerta del aparato sobre el suelo, de no dañar la manguera de alimentación del agua!

Desmontar la puerta del compartimento frigorífico

- ❑ Proceder de modo semejante a como se ha hecho con la puerta del compartimento de congelación (la puerta del frigorífico no incorpora conexiones a la red de electricidad y agua).

Atención:

Antes de efectuar el montaje de las puertas siguiendo el orden inverso al de su desmontaje, hay que cerciorarse de la posición perfectamente horizontal del aparato en su emplazamiento definitivo.

Conexión del aparato a la red de agua

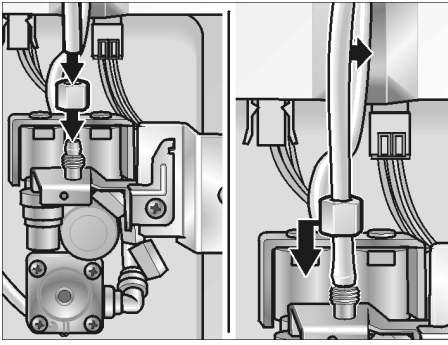
La conexión a la red de agua sólo puede ser efectuada por un fontanero especialista, de conformidad a las normas y disposiciones de la empresa local de abastecimiento de agua.

Acoplar el aparato a una tubería de alimentación de agua fría.

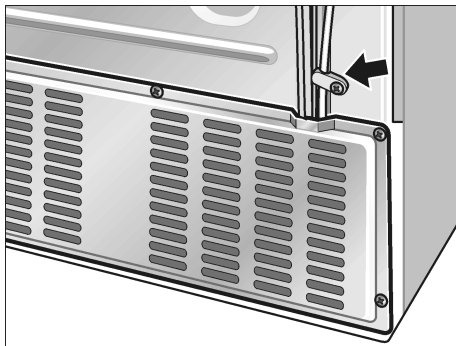
- Mínima presión de red 20 p.s.i. (1,4 bares)
- Máxima presión de red admisible 100 p.s.i. (6,9 bares)

El grifo de agua para empalmar la manguera de alimentación de agua suministrada con el aparato, deberá estar libremente accesible.

- ❑ Aflojar los tornillos de la cobertura del compartimento del motor.



- ❑ Empalmar la manguera de alimentación de agua en la electroválvula (1/4”).
- ❑ Empalmar la manguera de alimentación de agua en el grifo de agua.



- ❑ Utilizando las abrazaderas, fijar la manguera de alimentación de agua al panel posterior de éste y a la pared de la habitación.
- ❑ Dejar que la manguera forme lazos o bucles a fin de poder retirar el aparato de la pared.

Conexión eléctrica

No utilizar cables de prolongación ni distribuidores. Para conectar este aparato a la red eléctrica se requiere una toma de corriente fijamente instalada.

La placa de características del aparato se encuentra en el lateral inferior izquierdo. En caso de que fuera necesario sustituir el enchufe de conexión a la red eléctrica, esto sólo podrá ser efectuado por técnicos especializados de la marca.

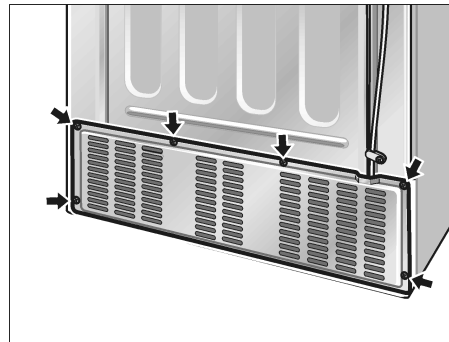
La toma de corriente deberá ser libremente accesible.

¡Importante!

Cuando se instale o sustituya el enchufe de conexión a la red eléctrica, montar asimismo un dispositivo anti-tracción.

Verificar la estanqueidad de los acoplamiento de rosca del circuito de alimentación de agua

- ❑ Poner el aparato en marcha de conformidad a las instrucciones de uso del mismo.
- ❑ Llenar un vaso de agua. Esta operación dura varios segundos, dado que aún hay aire en las tuberías y en el depósito de agua.
- ❑ Verificar la estanqueidad de todos los acoplamiento de rosca del aparato y de la conexión a la red de agua.
- ❑ Tras concluir la comprobación, retirar el cable de conexión de la toma de corriente y montar la tapa de protección del espacio del motor.

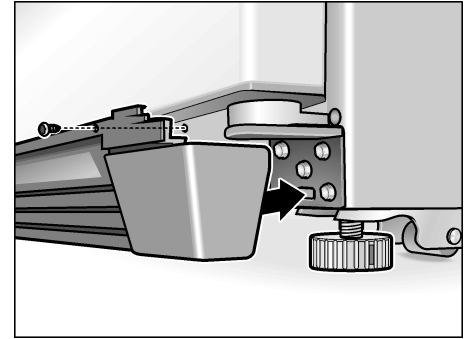


Nivelar el aparato

Para que el aparato funcione correctamente, tiene que estar colocado en posición perfectamente horizontal. Alinearlo con ayuda de un nivel de burbuja.

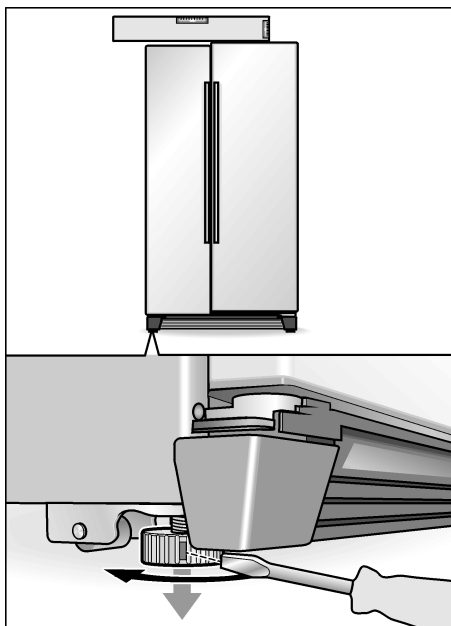
La instalación desnivelada del aparato puede dar lugar a fugas de agua en el dispensador de hielo, a la producción de cubitos de hielo de forma irregular o a que las puertas no cierren correctamente.

- ❑ Instalar el aparato en su emplazamiento definitivo.
- ❑ Fijar la placa protectora del zócalo suministrada con el aparato con tres tornillos.

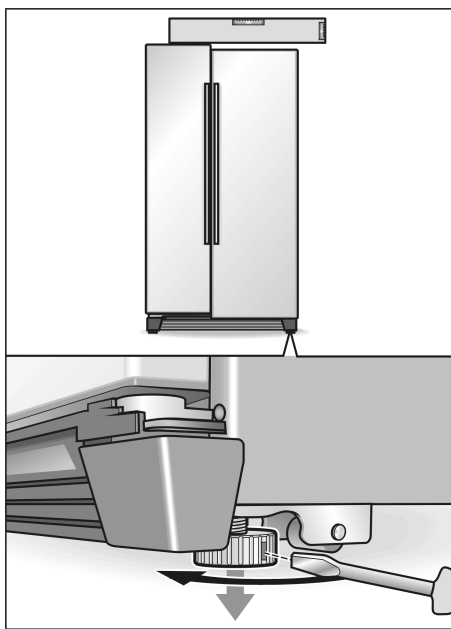


- ❑ Con objeto de impedir el desplazamiento fortuito del aparato, desenroscar los soportes roscados delanteros hasta que estén en contacto con el suelo o superficie de apoyo del aparato.
- ❑ Girar los tornillos de ajuste hasta que el aparato se encuentre en una posición perfectamente nivelada. ¡Tomar las puertas como puntos de referencia!

- La puerta del compartimento de congelación está más baja que la puerta del compartimento frigorífico:

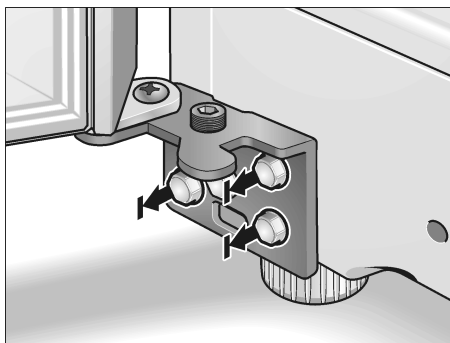


- La puerta del compartimento frigorífico está más baja que la puerta del compartimento de congelación:

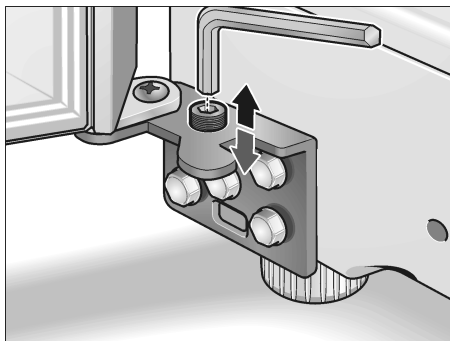


Si con las operaciones realizadas hasta ahora no se lograra alinear la puerta del aparato:

- Retirar la placa protectora del zócalo



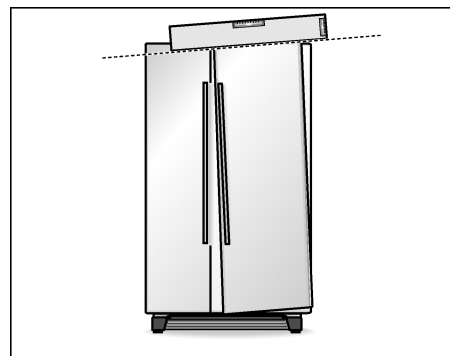
- Aflojar tres tornillos de las bisagras. **¡No desenroscar completamente los tornillos!**
- Montar la llave hexagonal en el tornillo de ajuste:



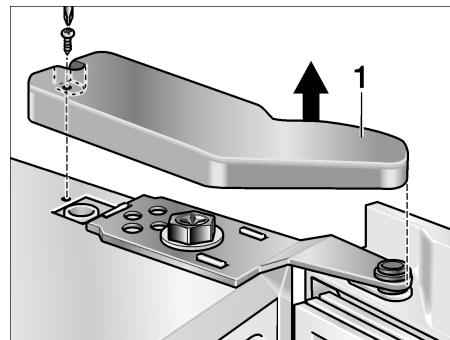
- Para elevar una puerta: Girar la llave hexagonal hacia la derecha (sentido de marcha de las agujas del reloj).
- Para bajar una puerta: Girar la llave hexagonal hacia la izquierda (sentido de marcha contrario al de las agujas del reloj).

Advertencia:

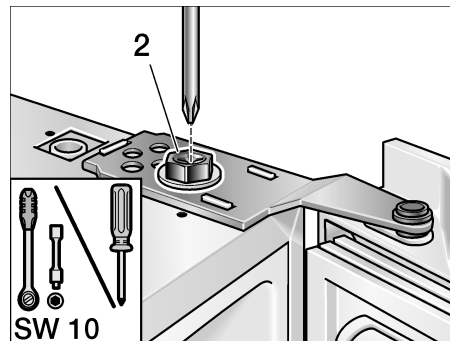
Debido al peso propio y al peso de la carga de alimentos alojados en la puerta del gabinete refrigerado, puede ocurrir, que la puerta se incline, sin que el refrigerador mismo esté inclinado: esto se nota por el hecho que la ranura de la puerta en la parte superior e inferior de la misma no son iguales.



- Quitar la cobertura de la bisagra superior (1).



- Aflojar los tornillos de la bisagra (2). **¡No desenroscar completamente los tornillos!**



- Adaptar la inclinación de la puerta del gabinete refrigerado.
- Ajustar los tornillos de la bisagra.
- Sujetar la cobertura de la bisagra.

Puesta en funcionamiento del aparato

Poner el aparato en marcha de conformidad a las instrucciones de uso del mismo.

Paro del aparato

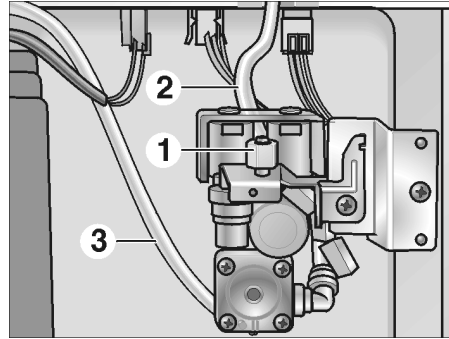
Efectuar el paro del aparato de conformidad a las instrucciones de uso del mismo.

En caso de largos períodos de inactividad de la unidad o al amenazar bajas temperaturas, hay que vaciar el depósito de agua del dispensador de agua fría.

Vaciar el depósito de agua del aparato

- ❑ **Extraer el enchufe de conexión del aparato de la toma de corriente de la red eléctrica.**
- ❑ Cerrar la alimentación de agua (grifo) del aparato.

- ❑ Retirar la tapa del recinto del grupo frigorífico que se encuentra en la parte posterior del aparato.
- ❑ Desenroscar la tubería de alimentación de agua (1) de su acoplamiento al aparato.
- ❑ Colocar la bandeja colectora de agua plana, de 0.8 galones (3 litros) de capacidad, debajo de la válvula de conexión.



- ❑ Desacoplar los tubos flexibles (2) y (3) consecutivamente de su empalme al aparato, evacuar el agua y volverlos a acoplar en su empalme correspondiente. **¡Atención!** No confundir los tubos flexibles al acoplarlos al aparato!

- ❑ Una vez evacuada el agua el depósito, montar la tapa protectora en su sitio.

La alimentación de agua del aparato sólo se abrirá en el momento de volverlo a poner en marcha.

Subject to modification.
Sous réserve de modifications.
Se reserva el derecho a efectuar modificaciones.

