



MICROWAVE OVEN

Use & Care Guide

For questions about features, operations/performance, parts, accessories, or service, call: **1-800-422-1230** or visit our website at **www.kitchenaid.com/owners**.

In Canada, call: **1-800-807-6777** or visit our website at **www.kitchenaid.ca/owners**.

HORNO MICROONDAS

Manual de uso y cuidado

Si tiene preguntas sobre funciones, funcionamiento, rendimiento, piezas, accesorios o servicio técnico, llame al: **1-800-422-1230** o visite nuestro sitio web en **www.kitchenaid.com/owners**.

En Canadá, llame al: **1-800-807-6777** o visite nuestro sitio web en **www.kitchenaid.ca/owners**.

TABLE OF CONTENTS

MICROWAVE OVEN SAFETY	3
PRECAUTIONS TO AVOID POSSIBLE EXPOSURE TO EXCESSIVE MICROWAVE ENERGY	4
INSTALLATION INSTRUCTIONS	5
Unpacking	5
Location Requirements	5
Electrical Requirements	5
PARTS AND FEATURES	6
Turntable.....	6
MICROWAVE OVEN CONTROL	
Display	7
Standby mode.....	7
START	7
Quick Start/Add 30 second	7
STOP/UNLOCK.....	7
Clock	7
Mute On/Off.....	8
Express Start	8
Timer.....	8
Cooking End.....	8
Keypad Instructions	9
MICROWAVE OVEN USE	13
Food Characteristics.....	13
Cooking Guidelines.....	13
Cookware and Dinnerware.....	14
Aluminum Foil and Metal	14
Cooking Menu.....	14
Popcorn.....	15
Reheat	15
Soften	15
Melt.....	15
Keep Warm.....	15
Auto Defrost	16
Combi.....	16
MICROWAVE OVEN CARE	17
General Cleaning.....	17
TROUBLESHOOTING	18
ASSISTANCE OR SERVICE	19
In the U.S.A.	19
In Canada.....	19
Replacement Parts.....	19

ÍNDICE

SEGURIDAD DEL MICROONDAS	20
PRECAUCIONES PARA EVITAR POSIBLE EXPOSICIÓN A ENERGÍA DE MICROONDAS EXCESIVA	21
INSTRUCCIONES DE INSTALACIÓN	22
Desembalaje	22
Requisitos de ubicación	22
Requisitos eléctricos	22
ARTES Y CARACTERÍSTICAS	23
Plato giratorio	23
Elemento de asado	23
CONTROL DEL MICROONDAS	24
Pantalla	24
Modo de reposo	24
INICIAR	24
Inicio rápido/Añadir 30 segundos	24
DETENER/DESBLOQUEAR	24
Reloj	25
Activar/desactivar silencio	25
Inicio rápido (alternativo)	25
Temporizador	25
Fin de cocción	25
Instrucciones del teclado	26
USO DEL MICROONDAS	30
Características de los alimentos	30
Directrices de cocción	30
Utensilios y vajilla	31
Lámina de aluminio y metales	31
Menú de cocción	31
Palomitas de maíz	32
Recalentar	32
Ablandar	32
Derretir	32
Mantener caliente	32
Descongelado automático	33
Asado	33
Modo combinado	33
MANTENIMIENTO DEL MICROONDAS	34
Limpieza general	34
SOLUCIÓN DE PROBLEMAS	35
AYUDA O SERVICIO	36
En los Estados Unidos	36
En Canadá	36
Piezas de repuesto	36

MICROWAVE OVEN SAFETY

Your safety and the safety of others are very important.

We have provided many important safety messages in this manual and on your appliance. Always read and obey all safety messages.



This is the safety alert symbol.

This symbol alerts you to potential hazards that can kill or hurt you and others.

All safety messages will follow the safety alert symbol and either the word "DANGER" or "WARNING."

These words mean:

⚠ DANGER

You can be killed or seriously injured if you don't immediately follow instructions.

⚠ WARNING

You can be killed or seriously injured if you don't follow instructions.

All safety messages will tell you what the potential hazard is, tell you how to reduce the chance of injury, and tell you what can happen if the instructions are not followed.

IMPORTANT SAFETY INSTRUCTIONS

When using electrical appliances basic safety precautions should be followed, including the following:

WARNING: To reduce the risk of burns, electric shock, fire, injury to persons, or exposure to excessive microwave energy:

- Read all instructions before using the microwave oven.
- Read and follow the specific "PRECAUTIONS TO AVOID POSSIBLE EXPOSURE TO EXCESSIVE MICROWAVE ENERGY" found in Page 4.
- The microwave oven must be grounded. Connect only to properly grounded outlet. See "GROUNDING INSTRUCTIONS" found in the "INSTALLATION INSTRUCTIONS" section.
- Install or locate the microwave oven only in accordance with the provided Installation Instructions.
- Some products such as whole eggs in the shell and sealed containers - for example, closed glass jars - are able to explode and should not be heated in the microwave oven.
- Use the microwave oven only for its intended use as described in the manual. Do not use corrosive chemicals or vapors in the microwave oven. This type of oven is specifically designed to heat, cook, or dry food. It is not designed for industrial or laboratory use.
- **HOT CONTENTS CAN CAUSE SEVERE BURNS. DO NOT ALLOW CHILDREN TO USE THE MICROWAVE.** Use caution when removing hot items.
- Do not operate the microwave oven if it has a damaged cord or plug, if it is not working properly, or if it has been damaged or dropped.
- The microwave oven should be serviced only by qualified service personnel. Call an authorized service company for examination, repair, or adjustment.
- Do not cover or block any openings on the microwave oven.
- Do not store this microwave oven outdoors. Do not use the microwave oven near water - for example, near a kitchen sink, in a wet basement, near a swimming pool, or similar locations.
- Do not immerse cord or plug in water.
- Keep cord away from heated surfaces.
- Do not let cord hang over edge of table or counter.
- See door surface cleaning instructions in the "Microwave Oven Care" section.
- To reduce the risk of fire in the oven cavity:
 - Do not overcook food. Carefully attend the microwave oven when paper, plastic, or other combustible materials are placed inside the oven to facilitate cooking.
 - Remove wire twist-ties from paper or plastic bags before placing bags in oven.
 - If materials inside the oven ignite, keep oven door closed, turn oven off, and disconnect the power cord, or shut off power at the fuse or circuit breaker panel.
 - Do not use the cavity for storage purposes. Do not leave paper products, cooking utensils, or food in the cavity when not in use.

SAVE THESE INSTRUCTIONS

IMPORTANT SAFETY INSTRUCTIONS

- Oversized food or oversized metal utensils should not be inserted in a microwave/toaster oven as they may create a fire or risk of electric shock.
- Do not clean with metal scouring pads. Pieces can burn off the pad and touch electrical parts involving a risk of electric shock.
- Do not use paper products when appliance is operated in the toaster mode.
- Do not store any materials, other than manufacturer's recommended accessories, in this oven when not in use.
- Do not cover racks or any other part of the oven with metal foil. This will cause overheating of the oven.
- Liquids, such as water, coffee, or tea are able to be overheated beyond the boiling point without appearing to be boiling. Visible bubbling or boiling when the container is removed from the microwave oven is not always present.

THIS COULD RESULT IN VERY HOT LIQUIDS SUDDENLY BOILING OVER WHEN THE CONTAINER IS DISTURBED OR A SPOON OR OTHER UTENSIL IS INSERTED INTO THE LIQUID.

To reduce the risk of injury to persons:

- Do not overheat the liquid.
- Stir the liquid both before and halfway through heating it.
- Do not use straight-sided containers with narrow necks.
- After heating, allow the container to stand in the microwave oven for a short time before removing the container.
- Use extreme care when inserting a spoon or other utensil into the container.

SAVE THESE INSTRUCTIONS

PRECAUTIONS TO AVOID POSSIBLE EXPOSURE TO EXCESSIVE MICROWAVE ENERGY

- (a) Do not attempt to operate this oven with the door open since open-door operation can result in harmful exposure to microwave energy. It is important not to defeat or tamper with the safety interlocks.
- (b) Do not place any object between the oven front face and the door or allow soil or cleaner residue to accumulate on sealing surfaces.
- (c) Do not operate the oven if it is damaged. It is particularly important that the oven door close properly and that there is no damage to the:
 - (1) Door (bent),
 - (2) Hinges and latches (broken or loosened),
 - (3) Door seals and sealing surfaces.
- (d) The oven should not be adjusted or repaired by anyone except properly qualified service personnel.

This device complies with Part 18 of the FCC Rules.
This device complies with Industry Canada ICES-001.

INSTALLATION INSTRUCTIONS

Unpacking

1. Empty the microwave oven of any packing materials.
2. Clean the inside with a soft, damp cloth.
3. Check for damage, such as:
 - a door that is not lined up correctly,
 - damage around the door, or
 - dents on the interior or exterior of the microwave oven.

If there is any damage, do not operate the microwave oven until a designated service technician has checked it and made any needed repairs.

NOTE: To avoid damage to the microwave oven, **do not remove microwave inlet cover.** See the “Parts and Features” section.

Location Requirements

⚠ WARNING

Excessive Weight Hazard

Use two or more people to move and install microwave oven.

Failure to do so can result in back or other injury.

IMPORTANT: The control side of the microwave oven is the heavy side. Handle the microwave oven gently. The weight of the microwave oven is over 35 lbs (15.9 kg).

- Place the microwave oven on a cart, counter, table, or shelf that is strong enough to hold the microwave oven and the food and utensils you place inside it.
- The microwave oven should be at a temperature above 50 °F (10 °C) for proper operation.

NOTE: Some models can be built into a wall or cabinet by using one of the trim kits listed in the “Assistance or Service” section.

- The microwave oven rear plate must be placed close to the wall. The installation height needs to be higher than 916 mm.
- Make sure the microwave oven legs are in place to ensure proper airflow. If vents are blocked, a sensitive thermal device may automatically turn the microwave oven off. The microwave oven should work properly once it has cooled.

Electrical Requirements

⚠ WARNING



Electrical Shock Hazard

Plug into a grounded 3 prong outlet.

Do not remove ground prong.

Do not use an adapter.

Do not use an extension cord.

Failure to follow these instructions can result in death, fire, or electrical shock.

Observe all governing codes and ordinances.

Required:

- A 120 V, 60 Hz, AC only, 15 A or 20 A electrical supply with a fuse or circuit breaker.

Recommended:

- A time-delay fuse or time-delay circuit breaker.
- A separate circuit serving only this microwave oven.

GROUNDING INSTRUCTIONS

■ For all cord connected appliances:

The microwave oven must be grounded. In the event of an electrical short circuit, grounding reduces the risk of electric shock by providing an escape wire for the electric current. The microwave oven is equipped with a cord having a grounding wire with a grounding plug. The plug must be plugged into an outlet that is properly installed and grounded.

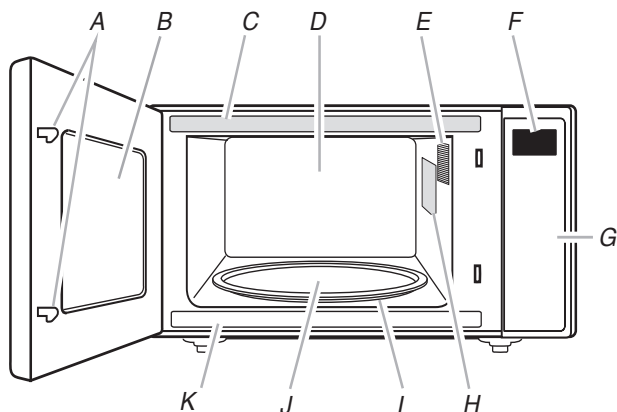
WARNING: Improper use of the grounding plug can result in a risk of electric shock. Consult a qualified electrician or serviceman if the grounding instructions are not completely understood, or if doubt exists as to whether the microwave oven is properly grounded.

Do not use an extension cord. If the power supply cord is too short, have a qualified electrician or serviceman install an outlet near the microwave oven. A short power supply cord is provided to reduce the risks resulting from becoming entangled in or tripping over a longer cord.

SAVE THESE INSTRUCTIONS

PARTS AND FEATURES

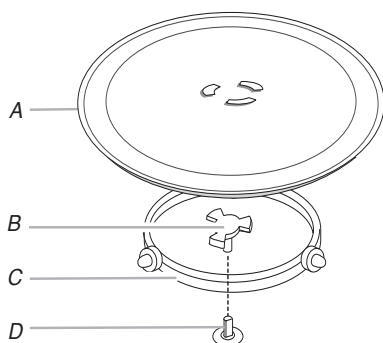
This manual may cover several different models. The model you have purchased may have some or all of the features shown here. The appearance of your particular model may differ slightly from the illustrations in this manual.



- A. Door lock system
 - B. Window
 - C. Cooking guide label
 - D. Back panel
 - E. Microwave oven light
 - F. Display
 - G. Control panel
 - H. Microwave inlet cover*
 - I. Removable turntable support
 - J. Glass turntable
 - K. Model and serial number plate
- Parts and Features
Not Shown: Grill element (on cavity ceiling)

***NOTE:** To avoid damage to the microwave oven, do not remove microwave inlet cover. See the "Parts and Features" section.

Turntable



- A. Turntable
- B. Hub
- C. Support
- D. Shaft

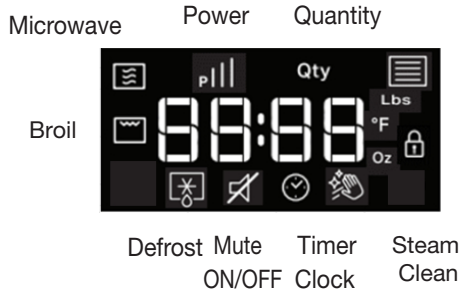
The turntable can rotate in either direction to help cook food more evenly. For best cooking results, do not operate the microwave oven without having the turntable in place. See the "Assistance or Service" section to reorder any of the parts.

To Install:

1. Place the support on the microwave oven cavity bottom.
2. Place the turntable on the support.

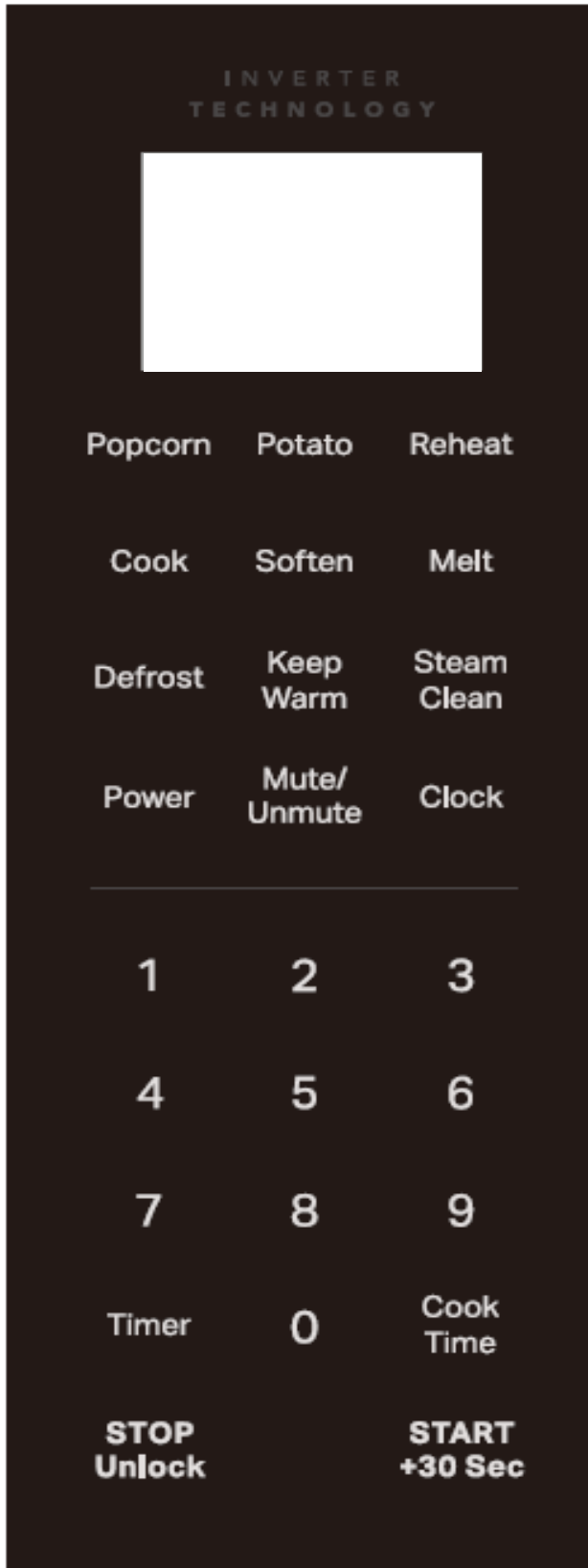
Fit the raised, curved wedges in the center of the turntable bottom between the three spokes of the hub. The rollers on the support should fit inside the turntable bottom ridge.

MICROWAVE OVEN CONTROL



Cook Menu
Weight - lbs
Weight - Oz
Door Lock

Defrost Mute Timer Steam
ON/OFF Clock Clean



Display

When power is first supplied to the microwave oven, "12 Hr" will appear in the display. User can press Clock button to change 12 or 24 hour format.

Press START button to confirm. Then the screen shows "00:00".

Standby mode

When no functions are being used, the microwave oven will switch to Standby mode.

After function selection, press the STOP/UNLOCK button to exit the function selection. If you again press the STOP/UNLOCK button it will be a invalid, as cooking mode is not activated.

When cooking mode is activated and the user presses the STOP/UNLOCK button, the STOP/UNLOCK functions will be triggered at the same time. Press the STOP/UNLOCK button again to cancel the function and return to Standby mode.

START

The START button begins any function. If non-sensor cooking is interrupted by opening the door, pressing START button will resume the cycle.

NOTE: To avoid unintentional operation of the microwave oven, a cooking function cannot be started if the microwave oven door has been closed for about 1 minute. The word "door" will appear in the display until the door is opened and closed.

Quick Start/Add 30 second

In standby mode, pressing START automatically starts the microwave oven at 100% power for 30 seconds and adds 30 seconds of cook time, with each additional touch of the control. Time may be added to any manual cooking cycle in 30 second increments, at the moment power level, by pressing START button during cooking.

NOTE:

- Quick Start 30 sec: Press "Start/+ 30 sec", it will quick start of full power in 30 sec; press again if you need to add moretime mid cycle or at the end of the cycle.
- Quick Minute Cooking: You can also press keypad 1-3 button to have full power cooking of the selecting minutes.

STOP/UNLOCK

The STOP/UNLOCK button clears any incorrect command and cancels any program during cooking. Press the STOP/UNLOCK button to stop the cycle. It will not erase the time of day.

The microwave oven will also turn off when the door is opened. Close the door and press START to resume the cycle.

Clock

The microwave oven must be in standby.

1. Press Clock button to enter clock setting.
It will also appear every time the product is plugged into the power source, or power is back after a fail.
2. Press the keypad 0-9 button to set the hour.
3. Press keypad 0-9 button to set the minute.
4. Press START or CLOCK button to confirm the setting.

Mute On/Off

This function allows the user to activate/deactivate all the sounds played by the appliances, includes button press, warnings, alarm, even end audio feedback.

Press Keep Warm button and hold for 3 seconds to put into mute, hold the button again for 3 seconds to turn on the sound.

Express Start

Press the keypad button 1 or 2 or 3, the microwave oven at 100% power for 1 min, 2 min, 3 min of cook time directly. No need press START button to confirm.

NOTE: The function can be active only in idle state. The Microwave oven will alert user with invalid input sound if press keys 4, 5, 6, 7, 8, 9, 0.

Timer

To Set:

1. Press Timer button
2. Press keypad 0- 9 button to enter desired time.
3. Press START button. When the set time ends, the end-of-timer.
4. When the Timer countdown is achieve in the display, tone will sound. Press STOP/UNLOCK to stop the timer.

NOTE: The Timer does not start or stop the microwave oven. The function can be set only in Standby mode.

Cooking End

When the cooking is finished, the display will show the text "End". A reminder acoustic beep will signal.

1. After the Cooking End, If you press the STOP/UNLOCK button, takes out the food and closes the door again, the interface will display the clock, it will switch to 1-step door opening.
2. If you will not remove the food within 30 minutes, it will consistently display "END" for 30 minutes, and automatically return to standby mode and unlock after 30 minutes and it will switch to 1-step door opening.
3. Lamp off , Fan work for 1 min and display will show "FAn".

Keypad Instructions

Keypad	Feature	Instructions
Timer	Hold to Set the Timer	<p>To set the timer, follow the instructions below:</p> <ol style="list-style-type: none"> 1. Press TIMER button. 2. Press the keypad 0-9 button to select timer values. 3. Press START button to confirm. <p>NOTE: The microwave oven must be in idle state. The screen shows “30:00” as default value. It is set in minutes from 00:01 to 60:00 min, press START to confirm.</p>
Power	Set Cook Power	<p>To set the cook power, follow the instructions below:</p> <ol style="list-style-type: none"> 1. In standby mode, Press Cook Time button. Default time is “00:00” 2. Press number buttons to enter desired time, from 0:01 to 90:00. 3. Press the Power button to confirm and display will show default Power Level “1 0 0”. 4. Press number buttons to set the power levels 5. Press START button and oven will work
Cook Time	Set Cook Time	<p>To set the cook time, follow the instructions below:</p> <ol style="list-style-type: none"> 1. In standby mode, Press the Power button. Default Power Level is “1 0 0”. 2. Press number buttons to set the power levels 3. Press the Cook Time button to confirm and display will show “00:00” 4. Press number buttons to set the desired time, from 0:01 to 90:00. 5. Press START button and oven will work <p>NOTE: While the Timer countdown is active in the display, touch STOP/UNLOCK to stop the Timer. The timer does not start or stop the microwave oven.</p>
START (+ 30 Sec)	Add 30 Seconds	<p>The button START can be used in two ways:</p> <ol style="list-style-type: none"> 1. To start the microwave by cooking for 30 seconds with FULL power in idle state. 2. To increase a cooking time using increments of 30 seconds. Each press adds 30 seconds.
START (+ 30 Sec)	Start Function	<p>Press the START button to start any cooking function. If cooking is interrupted by opening the door, touch the START button after the door is closed again to resume the cycle.</p>
STOP/UNLOCK	Microwave Pause/Stop Function	<p>The STOP/UNLOCK button stops any microwave oven function except for the clock. The microwave oven will also turn off when the door is opened. When the door is opened, the element(s) will turn off, but the microwave oven light will remain on. Close the door and touch the START button to resume the preset cycle.</p>

Keypad	Feature	Instructions
STOP/UNLOCK	2-Step Door Opening	<p>This microwave comes with the added feature of a 2-step door opening functionality to avoid unintended access.</p> <p>The STOP/UNLOCK button can be used to pause/cancel the function during or after cook time.</p> <p>The STOP/UNLOCK button can be used for 2-step door opening:</p> <ol style="list-style-type: none"> Once you set the cooking time and press the START button, the Door Lock icon will appear on the display. To open the microwave: <ul style="list-style-type: none"> Press STOP/UNLOCK. Pull the door handle. <p>NOTE: Once you press the STOP/UNLOCK button to stop/pause any function, the Door Lock icon will disappear for 10 seconds and you will be able to pull the door handle to open the door. The Door Lock icon will reappear after 10 seconds and require you to repeat steps 1 and 2 to open the door.</p> <p>NOTE: When the machine is powered on after plug-in, the 2-Step Door function will not be triggered. If a cooking cycle starts after the door closes, then 2 steps are required to open the door. Once the 2 steps have been used to open the door, if the door closes and no cooking power is applied, then you can open the door by just pulling the door handle.</p> <p>NOTE: This microwave comes with the added feature of a 2-step door opening functionality to avoid unintended access. When children do not have access to the appliance, there is a disable function if the 2-step functionality is not needed.</p> <p>Disable/Enable 2-step door function operation on the display:</p> <p>Steps to disable the 2-step door function operation:</p> <ol style="list-style-type: none"> After pressing the STOP/UNLOCK button for 3 seconds, “dI: 0” will show on the display. After pressing the “0” button, “dI: 1” will show on the display. Press the START button to confirm. <p>NOTE: DI (Disable)</p> <p>NOTE: If you unplug the microwave, it will remember the last operation. You will not need to disable or enable the 2 step door function again.</p> <p>Steps to enable the 2-step door function operation:</p> <ol style="list-style-type: none"> After pressing the STOP/UNLOCK button for 3 seconds, “EA: 0” will show on the display. After pressing the “0” button, “EA: 1” will show on the display. Press the START button to confirm. <p>NOTE: EA (Enable)</p> <p>IMPORTANT: Disabling this feature should only be done when the owner is certain and children are not present.</p>
0-9	Keypad Number	<p>User can press 0-9 keypad number to select cook time, food class, food weight and power level.</p>
Clock	Set the clock	<p>The function allows to set the clock. To use:</p> <ol style="list-style-type: none"> In standby mode, Press “Clock” button, current time will show on the display. If no, it will show default time “00:00” Press “keypad 0-9” button to adjust cook time. Press START/+30 Sec or Clock button to confirm.
Keep Warm	Keep Warm	<p>The function allows to keep your dishes warm. To use:</p> <ol style="list-style-type: none"> In standby mode, Press “Keep Warm” button, default time “30:00” will show on the display. Press “Keep Warm” or keypad 0-9 button to select 15 min, 30 min, 45 min or 60 min.

Keypad	Feature	Instructions
		<p>3. Press START button.</p> <p>NOTE: The Keep Warm cycle last for a duration of 15 min (default 30 minutes), the maximum time is 60 min. Each 15 min cycle, microwave will be turned on 2.5 min. After cooking END, the cavity lamp is off and fan will work for 1 min.</p>
Keep Warm	Turn on or off beep sound	<p>The function allows to turn on or off the beep sound:</p> <ol style="list-style-type: none"> 1. Press “Keep Warm” button and hold 3 seconds to put into mute, the MUTE OFF icon will be shown on display. 2. Hold the button again for 3 seconds to turn on the sound.
Popcorn	Popcorn	<p>To use the popcorn preset, follow the instructions below:</p> <ol style="list-style-type: none"> 1. In standby mode, Press “Popcorn” button repeatedly to select the bag size (2.75, 3.0 or 3.5 oz). 2. Press START button.
Defrost	Defrost	<p>The Defrost function helps that frozen food. To defrost, follow the instructions below:</p> <ol style="list-style-type: none"> 1. Press “Defrost” button, P01 will show on display. 2. Press “Defrost” button or keypad 0-9 button to select Manual defrost or the desired food class. P01...P04. 3. Press START button to confirm. <p>P01-Manual Defrost:</p> <ol style="list-style-type: none"> 4. Default time “00:00” will show on the display. 5. Press keypad 0-9 button to adjust defrost cooking time. 6. Press START button. <p>P02-P04 Auto Defrost</p> <ol style="list-style-type: none"> 7. Display will show the default weight. 8. Press keypad 0-9 button to adjust desired weight. 9. Press START button.
Reheat	Reheat	<p>To reheat using preset functions, follow the instructions below:</p> <ol style="list-style-type: none"> 1. In standby mode, Press “Reheat” button, P01 will show on display. 2. Press “Reheat” button or keypad 0-9 button to select the food class. P01...P04. 3. Press START button. <p>NOTE: See the Reheat section in this guide for the food category or reference sticker on the front plate of the microwaves.</p> <ol style="list-style-type: none"> 4. Sensor Cooking: A sensor in the microwave oven detects humidity released from the food as it heats and adjust the cook time accordingly. (For non-sensor cooking, the display will show the default weight. Press the keypad 0-9 button to adjust desired weight. Press the START button.)
Cook	Cook	<p>For Cook mode, it is not necessary to set the time and power, follow the instructions below:</p> <ol style="list-style-type: none"> 1. In standby mode, Press “Cook” button, the P01 will show on display. 2. Press keypad 0-9 button or “Cook” button to select a food category. <p>See the Cook Menu section in this guide for the food category or reference sticker on the front plate of the microwaves.</p> <ol style="list-style-type: none"> 3. Press START button. <p>By pressing the STOP/UNLOCK button again will stop the cooking function and microwave oven will switch to standby mode (Sensor Cooking)</p>

Keypad	Feature	Instructions
Soften	Soften	<p>The Soften function is used to soften food. To use:</p> <ol style="list-style-type: none"> 1. In standby mode, Press “Soften” button, P01 will show on display. 2. Press “Soften” button or keypad 0-9 button to select a food category, see the Soften section in this guide for the food category or reference the sticker on the door of the microwave. Press START button to confirm. 3. Use keypad 0-9 button to adjust the quantity 4. Press START button.
Melt	Melt	<p>The Melt function is used to melt food. To use:</p> <ol style="list-style-type: none"> 1. In standby mode, Press “Melt” button, P01 will show on display. 2. Press “Melt” button or keypad 0-9 button to select a food category, see the Melt section in this guide for the food category or reference the sticker on the door of the microwave. Press Start button to confirm. 3. Use keypad 0-9 button to adjust the quantity. 4. Press START button.
Steam Clean	Auto cleaning cycle	<p>The cleaning cycle will help to clean the microwave oven cavity</p> <ol style="list-style-type: none"> 1. Place 1 cup of water (~250mL) in the middle of the cavity. 2. Press "Steam Clean" button, default "11:00" time will show on display 3. Press the START button to start the function (After finishing the water heat-up cycle (8 min), the cavity lamp and fan will be off , the countdown time is shown.) <p>NOTE: Please follow Tips and Suggestions in Steam Clean section</p>
Combi	Combi	<p>The function allows to combi cooking. To use:</p> <ol style="list-style-type: none"> 1. In standby mode, Press “Combi” button, default “C01” will show on the display. 2. Press “Combi” or keypad 0-9 button to select a food category, see the Combi section in this guide for the food category or reference the sticker on the door of the microwave. 3. Press START/+30 Sec button, the display will show 00:00. 4. Press “keypad 0-9” button to adjust cooking time, from 0:01 to 90:00. 5. Press START/+30 Sec button. <p>NOTE:</p> <ul style="list-style-type: none"> - Ensure that the utensils used are microwave safe and heat resistant when you use this function. - Don't use plastic utensils when grilling. They will melt. Items of wood or paper are not suitable either. - Be careful, don't touch the grill element. - It is possible to change the duration time even after the cooking process has been already started. - To change the duration time, please press cook time button first, then 0-9 button to set time value, press start button to confirm.

MICROWAVE OVEN USE

A magnetron in the microwave oven produces microwaves which reflect off the metal floor, walls, and ceiling and pass through the turntable and appropriate cookware to the food. Microwaves are attracted to and absorbed by fat, sugar, and water molecules in the food, causing them to move, producing friction and heat which cooks the food.

- To avoid damage to the microwave oven, do not lean on or allow children to swing on the microwave oven door.
- To avoid damage to the microwave oven, do not operate microwave oven when it is empty.
- Baby bottles and baby food jars should not be heated in microwave oven.
- Clothes, flowers, fruit, herbs, wood, gourds, and paper, including brown paper bags and newspaper, should not be dried in the microwave oven.
- Paraffin wax will not melt in the microwave oven because it does not absorb microwaves.
- Use oven mitts or pot holders when removing containers from microwave oven.
- Do not overcook potatoes. At the end of the recommended cook time, potatoes should be slightly firm. Let potatoes stand for 5 minutes. They will finish cooking while standing.
- Do not cook or reheat whole eggs inside the shell. Steam buildup in whole eggs may cause them to burst, requiring significant cleanup of microwave oven cavity. Cover poached eggs and allow a standing time.

Food Characteristics

When microwave cooking, the amount, size and shape, starting temperature, composition and density of the food affect cooking results.

Amount of Food

The more food heated at once, the longer the cook time needed. Check for doneness and add small increments of time if necessary.

Size and Shape

Smaller pieces of food will cook more quickly than larger pieces, and uniformly shaped foods cook more evenly than irregularly shaped food.

Starting Temperature

Room temperature foods will heat faster than refrigerated foods, and refrigerated foods will heat faster than frozen foods.

Composition and Density

Foods high in fat and sugar will reach a higher temperature and will heat faster than other foods. Heavy, dense foods, such as meat and potatoes, require a longer cook time than the same size of a light, porous food, such as cake.

Cooking Guidelines

Covering

Covering food helps retain moisture, shorten cook time, and reduce spattering. Use the lid supplied with cookware. If a lid is not available, wax paper, paper towels, or plastic wrap approved for microwave ovens may be used. Plastic wrap should be turned back at one corner to provide an opening to vent steam. Condensation on the door and cavity surfaces is normal during heavy cooking.

Stirring and Turning

Stirring and turning redistribute heat evenly to avoid overcooking the outer edges of food. Stir from outside to center. If possible, turn food over from bottom to top.

Arranging

If heating irregularly shaped or different-sized foods, arrange the thinner parts and smaller-sized items toward the center. If cooking several items of the same size and shape, place them in a ring pattern, leaving the center of the ring empty.

Piercing

Before heating, use a fork or small knife to pierce or prick foods that have a skin or membrane, such as potatoes, egg yolks, chicken livers, hot dogs, and sausage. Prick in several places to allow steam to vent.

Shielding

Use small, flat pieces of aluminum foil to shield the thin pieces of irregularly shaped foods, bones and foods such as chicken wings, leg tips, and fish tails. See the "Aluminum Foil and Metal" section first.

Standing Time

Food will continue to cook by the natural conduction of heat even after the microwave cooking cycle ends. The length of standing time depends on the volume and density of the food.

Cookware and Dinnerware

Cookware and dinnerware must fit on the turntable. Always use oven mitts or pot holders when handling because any dish may become hot from heat transferred from the food. Do not use cookware and dinnerware with gold or silver trim. Use the following chart as a guide, then test before using.

Material	Recommendations
Aluminum Foil, Metal	See the "Aluminum Foil and Metal" section.
Browning Dish	Bottom must be at least 3/16" (5 mm) above the turntable. Follow manufacturer's recommendations.
Ceramic Glass, Glass	Acceptable for use
China, Earthenware	Follow manufacturer's recommendations.
Melamine	Follow manufacturer's recommendations.
Paper: Towels, Dinnerware, Napkins	Use non-recycled and those approved by the manufacturer for microwave oven use.
Plastic: Wraps, Bags, Covers, Dinnerware, Containers	Use those approved by the manufacturer for microwave oven use.
Pottery and Clay	Follow manufacturer's recommendations.
Silicone Bakeware	Follow manufacturer's recommendations.
Straw, Wicker, Wooden Containers	Do not use in microwave oven.
Wax Paper	Acceptable for use

To Test Cookware or Dinnerware for Microwave Use:

- Place cookware or dinnerware in microwave oven with 1 cup (250 mL) of water beside it.
- Cook at 100% cooking power for 1 minute.

Do not use cookware or dinnerware if it becomes hot and the water stays cool.

Aluminum Foil and Metal

Always use oven mitts or pot holders when removing dishes from the microwave oven.

Aluminum foil and some metal can be used in the microwave oven. If not used properly, arcing (a blue flash of light) can occur and cause damage to the microwave oven.

OK for Use

Racks and bakeware supplied with the microwave oven (on some models), aluminum foil for shielding, and approved meat thermometers may be used with the following guidelines:

- To avoid damage to the microwave oven, do not allow aluminum foil or metal to touch the inside cavity walls, ceiling, or floor.
- Always use the turntable.
- To avoid damage to the microwave oven, do not allow contact with another metal object during microwave cooking.

Do Not Use

Metal cookware and bakeware, gold, silver, pewter, non-approved meat thermometers, skewers, twist ties, foil liners such as sandwich wrappers, staples, and objects with gold or silver trim or a metallic glaze should not be used in the microwave oven.

For Use with Grill Element

Use the provided tall grill rack with an oven proof pan to catch the drippings.

Cooking Menu

The microwave oven has been programmed with common microwave foods, their quantities, cook powers, and cook times. Use the following chart as a guide for preset cooking.

Item	Food Category	Quantity
P01	Fresh Vegetables From room temperature. Put food into microwave safe dish. Add 2 tablespoons water to 1-2 cups, add 4 tablespoons water to 3-4 cups. Cover the dish, leaving an air ventilation. Stir and let stand 3 mins after cooking.	1-4 cups (Sensor cooking)
P02	Frozen Vegetables From frozen temperature. Place in microwave-safe container Add 2 tablespoons water to 1-2 cups, add 4 tablespoons water to 3-4 cups. Cover the dish, leaving an air ventilation. Stir and let stand 3 min after cooking.	1-4 cups (Sensor cooking)
P03	Oatmeal Place in microwave-safe container and add water depends on package directions adds water cover with plastic wrap and fold back one edge about 1/4" (6 mm) to make a vent. Place container in the center of the oven. After cooking stir with spoon or whisk until uniform.	1-4 cups (Sensor cooking)
P04	Frozen Entrée Remove entrée from package and loosen film covering on 3 sides of the container leaving one of the short sides still attached. Loosely cover with film. Allow the 10.5 and 20 oz (297 and 567 g) entrees to stand 3 minutes.	10 oz, 20 oz, (283 g, 567 g) (Sensor cooking)
P05	Potato-Large Enter 1-4 pieces, 10-12 oz (283-340 g) each. Pierce each potato several times with a fork. Place on paper towel on turntable center. Let stand 5 minutes after cooking.	1-4 pieces/ 1 piece
P06	Potato-Small Enter 1-16 pieces, 3-5 oz (85-141 g) each. Pierce each potato several times with a fork. Place on paper towel on turntable center. Let stand 5 minutes after cooking.	1-16 pieces/ 1 piece

Popcorn

2.75, 3.0 or 3.5 oz bags.

- Do not use regular paper bags or glassware
- Pop only one package of popcorn at a time.
- Follow manufacturer's instructions when using a microwave popcorn popper.
- Listen for popping to slow to one pop every 1 or 2 seconds, and then stop the cycle.
- Do not reppop unpopped kernels.
- For best results, use fresh bags of popcorn.
- Cooking results may vary by brand and fat content.

NOTE: Follow the instructions provided by the microwave popcorn manufacture.

Reheat

Times and cooking powers have been preset for reheating a number of food types. Use the following chart as a guide.

Item	Food Category	Quantity
P01	Dinner plate Place food on plate. Cover with plastic wrap and vent. Let stand 2-3 minutes after reheating.	Large (289-440g), Small (Sensor Cooking)
P02	Reheat Pizza Place on paper towel lined microwave-safe plate.	1-3 slices 4 oz (113 g) per slice (Sensor Cooking)
P03	Soup Place in microwave-safe container. Cover with plastic wrap and vent. Stir and let stand 2-3 minutes after reheating.	1-4 cups
P04	Beverage Do not cover.	1-4 cups

Soften

Soften function may be used to soften your food. Times and cooking powers have been preset for a number of food types. Use the following chart as a guide.

Item	Food Category	Quantity
P01	Butter Unwrap and place in microwave-safe container.	0.5-2.0 sticks/0.5 stick
P02	Ice Cream Unwrap and place in microwave-safe container.	16-64 oz/16 oz
P03	Cream Cheese Unwrap and place in microwave-safe container.	3 oz, 8 oz

Melt

Melt function may be used to melt your food. Times and cooking powers have been preset for a number of food types.

Use the following chart as a guide.

Item	Food Category	Quantity
P01	Butter Unwrap and place in microwave-safe container.	0.5-2.0 sticks/0.5 stick
P02	Chocolate Chips Unwrap and place in microwave-safe container	4-12 oz/4 oz (113-340 g / 113 g)

Keep Warm

This function allows you to keep your dishes warm.

1. Press "Keep Warm" button
2. Press keypad 0-9 button to select suitable time, then press START button to start. Default time is 30 min, maximum time is 60 min.

Auto Defrost

- For optimal result, food should be 0°F (-18°C) or colder when defrosting.
- Unwrap foods and remove lids (from fruit juice) before defrosting.
- Shallow packages will defrost more quickly than deep blocks.
- Separate food pieces as soon as possible during or at the end of the cycle for more even defrosting.
- Foods left outside the freezer for more than 20 minutes or frozen ready-made food should not be defrosted using the Defrost feature but should be defrosted manually.
- Use small pieces of aluminum foil to shield parts of food such as chicken wings leg tips, and fish tails. See the “Aluminum Foil and Metal” section first.
- Times and cooking powers have been preset for defrosting a number of food types.

Item	Food Category	Weight
P01	Manual Defrost	-----
P02	Poultry	0.2 lbs-6.6 lbs/0.1 lbs
P03	Meat	0.2 lbs-6.6 lbs/0.1 lbs
P04	Fish	0.2 lbs-6.6 lbs/0.1 lbs

Use the following chart as a guide when defrosting poultry, meat or fish

DEFROST PREPARATION CHART

POULTRY

Chicken: whole and cut up Cornish hens	Place in a microwave safe container, chicken breast side up. Remove giblets from whole chicken.
---	---

MEAT

Beef: ground, steaks, roast, stew Lamb: stew and chops Pork: chops, ribs, roasts, sausage	The narrow or fatty areas of irregular-shaped cuts should be shielded with foil before defrosting. Do not defrost less than 1/4 lb (113 g) or two 4 oz (113 g) patties. Place all meats in a microwave-safe container.
--	--

FISH

Filletts, Steaks, Whole, Shellfish	Place in a microwave-safe container.
------------------------------------	--------------------------------------

Combi

Using with the wire rack accessory, the function allows to have combi cooking. Times and cooking powers have been preset for a number of food types. Use the following chart as a guide.

Item	Function
C01	MW: 10s Broil: 23s
C02	MW: 18s Broil: 15s

MICROWAVE OVEN CARE

General Cleaning

IMPORTANT: Before cleaning, make sure all controls are off and the microwave oven is cool. Always follow label instructions on cleaning products.

Soap, water, and a soft cloth or sponge are suggested unless otherwise noted.

MICROWAVE OVEN CAVITY

To avoid damage to the microwave oven cavity, do not use soap-filled scouring pads, abrasive cleaners, steel-wool pads, gritty washcloths, or some recycled paper towels.

To avoid damage to stainless steel models, rub in direction of grain.

The area where the microwave oven door and frame touch when closed should be kept clean.

Average soil

- Mild, nonabrasive soaps and detergents:
Rinse with clean water and dry with soft, lint-free cloth.

Heavy soil

- Mild, nonabrasive soaps and detergents:
Heat 1 cup (250 mL) of water for 2 to 5 minutes in microwave oven. Steam will soften soil. Rinse with clean water and dry with soft, lint-free cloth.

Odors

- Lemon juice or vinegar:
Heat 1 cup (250 mL) of water with 1 tbs (15 mL) of either lemon juice or vinegar for 2 to 5 minutes in microwave oven.

Microwave Inlet Cover

To avoid arcing and microwave oven damage, the microwave inlet cover (see the “Parts and Features” section) should be kept clean.

- Wipe with wet cloth.

MICROWAVE OVEN DOOR AND EXTERIOR

The area where the microwave oven door and frame touch when closed should be kept clean.

- Mild, nonabrasive soaps and detergents:
Rinse with clean water and dry with soft, lint-free cloth.
- Glass cleaner and paper towels or nonabrasive plastic scrubbing pad:
Apply glass cleaner to towel, not directly to surface.

CONTROL PANEL

- Sponge or soft cloth and water:
Dampen sponge with water and wipe panel. Dry with soft cloth.
- To avoid damage to the control panel, do not use chemical or abrasive cleansers.

TURNTABLE

Replace turntable immediately after cleaning. Do not operate the microwave oven without the turntable in place.

- Mild cleanser and scouring pad
- Dishwasher

TROUBLESHOOTING

First try the solutions suggested here. If you need further assistance or more recommendations that may help you avoid a service call, refer to the warranty, or visit www.kitchenaid.com/owners, or in Canada www.kitchenaid.ca/owners.

Contact us by mail with any questions or concerns at the address below:

In the U.S.A.:

KitchenAid Brand Home Appliances
Customer eXperience Centre
553 Benson Road
Benton Harbor, MI 49022-2692

In Canada:

KitchenAid Brand Home Appliances
Customer eXperience Centre
220-6750 Century Ave.
Mississauga, Ontario L5N 0B7

Please include a daytime phone number in your correspondence.

If you experience	Recommended Solutions
Nothing will operate	<p>Check the following:</p> <ul style="list-style-type: none"> ■ Household fuse or circuit breaker: If a household fuse has blown or a circuit breaker has tripped, replace the fuse or reset the circuit breaker. If the problem continues, call an electrician.
Microwave oven will not operate	<p>Check the following:</p> <ul style="list-style-type: none"> ■ Magnetron: Try to heat 1 cup (250 mL) of cold water for 2 minutes at 100% cooking power. If water does not heat, try the steps in the bullets below. If microwave oven still does not operate, call for service. ■ Door: Firmly close door. On some models, if a packaging spacer is attached to the inside of the door, remove it, then firmly close door. If a message about the door appears in the display, the door has been closed for 5 minutes or more without the microwave oven being started. This occurs to avoid unintended starting of the microwave oven. Open and close the door, then start the cycle. ■ Stop (Unlock): Make sure Stop/Unlock is OFF. Make sure Demo mode (on some models) is OFF.
Microwave oven makes humming noise	<ul style="list-style-type: none"> ■ This is normal and occurs when the power supply in the magnetron cycles on.
Microwave oven door looks wavy	<ul style="list-style-type: none"> ■ This is normal and will not affect performance.
Turntable will not operate	<p>Check the following:</p> <ul style="list-style-type: none"> ■ Turntable: Make sure turntable is correct side up and is sitting securely on the turntable support. See the “Turntable” section. ■ Turntable support: Remove turntable. Remove and clean turntable hub, support, and rollers. Replace hub, support, and turntable. Place 1 cup (250 mL) of water on the turntable, then restart microwave oven. If it still is not working, call for service. For information on warranty, please visit www.kitchenaid.com/owners, or in Canada www.kitchenaid.ca/owner. Do not operate the microwave oven without turntable and turntable support working properly.
Turntable alternates rotation directions	<ul style="list-style-type: none"> ■ This is normal and depends on motor rotation at the beginning of the cycle.
Display shows messages	<ul style="list-style-type: none"> ■ A flashing “0:00” means there has been a power failure. Reset the clock.
Display shows time countdown, but the microwave oven is not operating	<p>Check the following:</p> <ul style="list-style-type: none"> ■ Timer: See the “Timer” section.
Tones are not sounding	<p>Check the following:</p> <ul style="list-style-type: none"> ■ Tones: See the “Tones” section.
Cooking times seem too long	<p>Check the following:</p> <ul style="list-style-type: none"> ■ Cooking power: See the “Power” section. ■ Amount of food: Larger amounts of food need longer cooking times. ■ Voltage: Have a qualified electrician check the electrical system in the home.
Odor coming from microwave oven during convection	<ul style="list-style-type: none"> ■ This is normal for the first few convection and/or grill cycles. The odor will dissipate with repeated use.

If you experience	Recommended Solutions
Radio, TV, or cordless phone interference	<p>Check the following:</p> <ul style="list-style-type: none"> ■ Proximity: Move the receiver away from the microwave oven or adjust the radio or TV antenna. If the microwave oven is plugged into the same outlet, try a different outlet for the electronic device. ■ Soil: Make sure the microwave oven door and sealing surfaces are clean. ■ Frequency: Some 2.4 GHz based cordless phones and home wireless networks may experience static or noise while microwave oven is ON. Use a corded phone, a different frequency cordless phone, or avoid using these items during microwave oven operation.

ASSISTANCE OR SERVICE

If you need service:

For information on warranty, please visit www.kitchenaid.com/owners, or in Canada www.kitchenaid.ca/owners.

If you need replacement parts:

If you need to order replacement parts, we recommend that you use only factory specified parts. These factory specified parts will fit right and work right because they are made with the same precision used to build every new KitchenAid appliance.

To locate factory specified parts in your area, call us or your nearest KitchenAid designated service center.

In the U.S.A.

Call the KitchenAid Customer eXperience Center toll-free: **1-800-422-1230** or visit our website at www.kitchenaid.com/owners.

Our consultants provide assistance with:

- Scheduling of service. KitchenAid appliances designated service technicians are trained to fulfill the product warranty and provide after-warranty service anywhere in the United States.
- Features and specifications on our full line of appliances.
- Referrals to local KitchenAid appliance dealers.
- Installation information.
- Use and maintenance procedures.
- Accessory and repair parts sales.
- Specialized customer assistance (Spanish speaking, hearing impaired, limited vision, etc.).

For further assistance:

If you need further assistance, you can write to KitchenAid with any questions or concerns at:

KitchenAid Brand Home Appliances
Customer eXperience Center
553 Benson Road
Benton Harbor, MI 49022-2692

Please include a daytime phone number in your correspondence.

In Canada

Call the KitchenAid Customer eXperience Center toll-free: **1-800-807-6777** or visit our website at www.kitchenaid.ca/owners.

Our consultants provide assistance with:

- Scheduling of service. KitchenAid appliances designated service technicians are trained to fulfill the product warranty and provide after-warranty service anywhere in Canada.
- Features and specifications on our full line of appliances.
- Referrals to local KitchenAid appliance dealers.
- Use and maintenance procedures.
- Accessory and repair parts sales.

For further assistance:

If you need further assistance, you can write to KitchenAid with any questions or concerns at:

KitchenAid Brand Home Appliances
Customer eXperience Centre
200-6750 Century Ave.
Mississauga, Ontario L5N 0B7

Please include a daytime phone number in your correspondence.

Replacement Parts

Glass Turntable
Part Number W11664476

Turntable Support and Rollers
Part Number W11815765

Turntable Hub
Part Number W11815766

SEGURIDAD DEL HORNO DE MICROONDAS

Tu seguridad y la de otras personas es muy importante.

Hemos incluido muchos mensajes de seguridad importantes en este manual y en tu electrodoméstico. Siempre lee y cumple con todos los mensajes de seguridad.



Este es el símbolo de alerta de seguridad.

Este símbolo te advierte sobre peligros potenciales que pueden matarte o lesionarte a ti y a otros.

Todos los mensajes de seguridad irán acompañados de este símbolo de alerta de seguridad y de la palabra "PELIGRO" o "ADVERTENCIA".

Estas palabras significan:

⚠ PELIGRO

Puedes morir o sufrir lesiones graves si no sigues las instrucciones de inmediato.

⚠ ADVERTENCIA

Puedes morir o sufrir lesiones graves si no sigues las instrucciones.

Todos los mensajes de seguridad te indicarán cuál es el peligro potencial, te explicarán cómo reducir el riesgo de lesiones y te informarán qué puede suceder si no se siguen las instrucciones.

INSTRUCCIONES DE SEGURIDAD IMPORTANTES

Al usar aparatos eléctricos, se deben seguir precauciones de seguridad básicas, incluyendo las siguientes:

ADVERTENCIA: Para reducir el riesgo de quemaduras, descargas eléctricas, incendios, lesiones personales o exposición a una energía de microondas excesiva:

- Lee todas las instrucciones antes de usar el horno de microondas.
- Lee y sigue las PRECAUCIONES PARA EVITAR LA EXPOSICIÓN POSIBLE A ENERGÍA DE MICROONDAS EXCESIVA que se encuentran en la Página 4.
- El horno de microondas debe estar conectado a tierra. Conéctalo solo a un tomacorriente debidamente conectado a tierra. Consulta las INSTRUCCIONES DE CONEXIÓN A TIERRA que se encuentran en la sección INSTRUCCIONES DE INSTALACIÓN.
- Instala o coloca el horno de microondas únicamente de acuerdo con las Instrucciones de Instalación proporcionadas.
- Algunos productos como huevos enteros en su cáscara y recipientes sellados (por ejemplo, frascos de vidrio cerrados) pueden explotar y no deben calentarse en el horno de microondas.
- Usa el horno de microondas solo para el uso previsto que se describe en el manual. No uses productos químicos corrosivos ni vapores en el horno de microondas. Este tipo de horno está diseñado específicamente para calentar, cocinar o secar alimentos. No está diseñado para uso industrial o de laboratorio.
- LOS CONTENIDOS CALIENTES PUEDEN CAUSAR QUEMADURAS GRAVES. NO DEJES QUE LOS NIÑOS USEN EL MICROONDAS. Ten cuidado al retirar artículos calientes.
- No opere el horno de microondas si tiene el cable o el enchufe dañados, si no funciona correctamente, o si ha sufrido daños o se ha caído.

- El horno de microondas solo debe ser atendido por personal de servicio calificado. Llama a una empresa de servicio autorizada para su examen, reparación o ajuste.
- No cubras ni obstruyas ninguna de las aberturas del horno de microondas.
- No almacenes este horno de microondas al aire libre.
- No uses el horno de microondas cerca del agua (por ejemplo, cerca de un fregadero de cocina, en un sótano húmedo, cerca de una piscina u otros lugares similares). No sumerjas el cable o el enchufe en agua.
- Mantén el cable alejado de superficies calientes.
- No dejes que el cable cuelgue sobre el borde de la mesa o el mostrador.
- Consulta las instrucciones de limpieza de la superficie de la puerta en la sección "Cuidado del Horno de Microondas".
- Para reducir el riesgo de incendio en la cavidad del horno:
 - No cocines los alimentos en exceso. Atenta cuidadosamente al horno de microondas cuando coloques papel, plástico u otros materiales combustibles dentro del horno para facilitar la cocción.
 - Retira los cabos de alambre de las bolsas de papel o plástico antes de colocar las bolsas en el horno.
 - Si los materiales dentro del horno se incendian, mantén la puerta cerrada, apaga el horno y desconecta el cable de alimentación, o corta la energía en el panel de fusibles o interruptores automáticos.
 - No uses la cavidad para almacenamiento. No dejes productos de papel, utensilios de cocina o alimentos en la cavidad cuando no esté en uso.

GUARDE ESTAS INSTRUCCIONES

INSTRUCCIONES DE SEGURIDAD IMPORTANTES

- No introduzcas alimentos de tamaño excesivo o utensilios metálicos grandes en un horno de microondas/tostadora, ya que podrían causar un incendio o un riesgo de descarga eléctrica.
- No limpies con esponjas de alambre. Piezas de la esponja pueden desprenderse y tocar partes eléctricas, involucrando un riesgo de descarga eléctrica.
- No uses productos de papel cuando el aparato funcione en modo tostadora.
- No almacenes ningún material (excepto los accesorios recomendados por el fabricante) en este horno cuando no esté en uso.
- No cubras las rejillas ni ninguna otra parte del horno con material metálico. Esto causará el sobrecalentamiento del horno.
- Los líquidos (como agua, café o té) pueden sobrecalentarse más allá del punto de ebullición sin parecer estar hirviendo. No siempre hay burbujeo o ebullición visible cuando se retira el recipiente del horno de microondas.

ESTO PODRÍA CAUSAR QUE LÍQUIDOS MUY CALIENTES HIERVAN DE REPENTE CUANDO SE DISTURBE EL RECIPIENTE O SE INTRODUCE UNA CUCHARA U OTRO UTENSILIO EN EL LÍQUIDO.

Para reducir el riesgo de lesiones personales:

- No sobrecalientes el líquido.
- Revuelve el líquido tanto antes como a mitad del calentamiento.
- No uses recipientes de paredes rectas con cuellos estrechos.
- Después de calentar, deja que el recipiente permanezca en el horno de microondas un breve tiempo antes de retirarlo.
- Ten extrema precaución al introducir una cuchara u otro utensilio en el recipiente.

GUARDE ESTAS INSTRUCCIONES

PRECAUCIONES PARA EVITAR LA EXPOSICIÓN POSIBLE A ENERGÍA DE MICROONDAS EXCESIVA

- (a) No intentes operar este horno con la puerta abierta, ya que el funcionamiento con la puerta abierta puede resultar en una exposición dañina a la energía de microondas. Es importante no anular ni manipular los enclavajes de seguridad.
- (b) No coloques ningún objeto entre la cara frontal del horno y la puerta, ni permitas que se acumulen suciedad o residuos de limpiador en las superficies de sellado.
- (c) No operes el horno si está dañado. Es particularmente importante que la puerta del horno se cierre correctamente y que no haya daños en:
 - (1) La puerta (doblada),
 - (2) Las bisagras y pestillos (rotos o aflojados),
 - (3) Los sellos de la puerta y las superficies de sellado.
- (d) El horno no debe ser ajustado ni reparado por nadie que no sea personal de servicio debidamente calificado.

Este dispositivo cumple con la Parte 18 de las Normas de la FCC.
Este dispositivo cumple con la Norma ICES-001 de Industria Canadá.

INSTRUCCIONES DE INSTALACIÓN

Desembalaje

1. Retira todos los materiales de empaque del interior del horno de microondas.
2. Limpia el interior con un paño suave y húmedo.
3. Verifica si hay daños, como:

- Una puerta que no esté alineada correctamente,
- Daños alrededor de la puerta, o
- Abolladuras en el interior o exterior del microondas.

Si hay algún daño, no operes el horno de microondas hasta que un técnico de servicio designado lo haya revisado y realizado las reparaciones necesarias.

NOTA: Para evitar daños al horno de microondas, no retire la tapa de la entrada de microondas. Consulta la sección "Partes y Características".

Requisitos de Ubicación

⚠ ADVERTENCIA

Riesgo de Peso Excesivo

Usa dos o más personas para mover e instalar el horno de microondas.

Si no lo haces, podrías sufrir lesiones en la espalda u otras lesiones.

IMPORTANTE: El lado del panel de control del horno de microondas es el lado más pesado. Maneja el horno de microondas con cuidado. El peso del horno de microondas es de más de 35 libras (15,9 kg).

- Coloca el horno de microondas en un carrito, mostrador, mesa o estante lo suficientemente resistente como para soportar su peso y el de los alimentos y utensilios que coloques en su interior.
- El horno de microondas debe estar en un ambiente con temperatura superior a 50 °F (10 °C) para funcionar correctamente.

NOTA: Algunos modelos se pueden integrar en una pared o gabinete usando uno de los kits de moldura que se listan en la sección "Asistencia o Servicio".

- El horno de microondas no debe colocarse muy cerca de la pared. La parte trasera de la instalación debe tener una altura superior a 916 mm.
- Asegúrate de que las patas del horno de microondas estén correctamente colocadas para garantizar una circulación de aire adecuada. Si las salidas de ventilación están obstruidas, un dispositivo térmico sensible puede apagar el microondas automáticamente. El horno de microondas debería funcionar correctamente una vez que se haya enfriado.

Requisitos Eléctricos

⚠ ADVERTENCIA



Riesgo de Descarga Eléctrica

Conecta el aparato a un tomacorriente de 3 terminales conectado a tierra.

No retires la terminal de tierra.

No uses un adaptador.

No uses un cable de extensión.

Si no sigues estas instrucciones, podrías sufrir la muerte, un incendio o una descarga eléctrica.

Cumple con todos los códigos y ordenanzas vigentes.

Requerido:

- Un suministro eléctrico de 120 V, 60 Hz, solo CA, de 15 A o 20 A, con fusible o interruptor automático.

Recomendado:

- Un fusible retardado o interruptor automático retardado.
- Un circuito separado que alimente únicamente a este horno de microondas.

INSTRUCCIONES DE CONEXIÓN A TIERRA

■ Para todos los aparatos conectados por cable:

El horno de microondas debe estar conectado a tierra. En caso de un cortocircuito eléctrico, la conexión a tierra reduce el riesgo de descarga eléctrica al proporcionar una vía de escape para la corriente eléctrica. El horno de microondas está equipado con un cable que tiene un alambre de tierra y un enchufe con terminal de tierra. El enchufe debe conectarse a un tomacorriente que esté instalado correctamente y conectado a tierra.

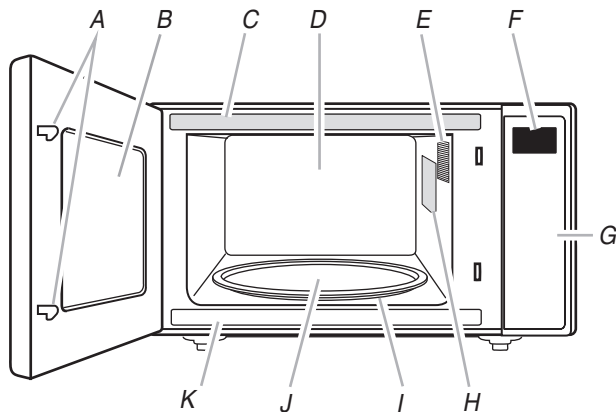
ADVERTENCIA: El uso incorrecto del enchufe con terminal de tierra puede resultar en un riesgo de descarga eléctrica. Consulta a un electricista calificado o a un técnico de servicio si no entiendes completamente las instrucciones de conexión a tierra, o si tienes dudas sobre si el horno de microondas está correctamente conectado a tierra.

No uses un cable de extensión. Si el cable de alimentación es demasiado corto, pide a un electricista calificado o a un técnico de servicio que instale un tomacorriente cerca del horno de microondas. Se proporciona un cable de alimentación corto para reducir los riesgos de enredarse o tropezar con un cable más largo.

GUARDE ESTAS INSTRUCCIONES

PARTES Y CARACTERÍSTICAS

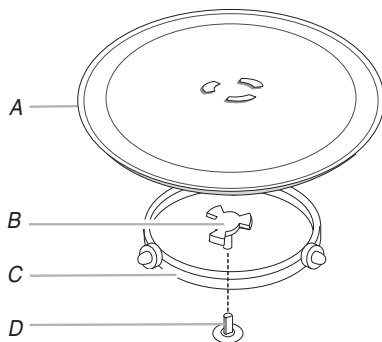
Este manual puede cubrir varios modelos diferentes. El modelo que has comprado puede tener algunas o todas las características que se muestran aquí. La apariencia de tu modelo particular puede diferir ligeramente de las ilustraciones de este manual.



- | | |
|------------------------------------|---|
| A. Sistema de bloqueo de la puerta | I. Soporte removible de la turntable |
| B. Ventana | J. Turntable de vidrio |
| C. Etiqueta de guía de cocción | K. Placa con número de modelo y serie Partes y Características |
| D. Panel trasero | No se muestra: Elemento de parrilla (en el techo de la cavidad) |
| E. Luz del horno de microondas | |
| F. Pantalla | |
| G. Panel de control | |
| H. Tapa de entrada de microondas* | |

***NOTA:** Para evitar daños al horno de microondas, no retire la tapa de entrada de microondas. Consulta la sección "Partes y Características".

Componentes



- A. Turntable
- B. Cubo (hub)
- C. Soporte
- D. Eje

La turntable puede girar en cualquier dirección para ayudar a cocinar los alimentos de forma más uniforme. Para obtener los mejores resultados de cocción, no opera el horno de microondas sin colocar la turntable en su sitio. Consulta la sección "Asistencia o Servicio" para volver a pedir cualquiera de las piezas.

Para instalar:

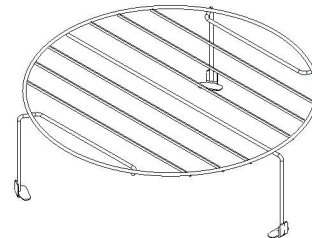
1. Coloca el soporte en el fondo de la cavidad del horno de microondas.
2. Coloca la turntable sobre el soporte.
Ajusta las cuñas curvadas elevadas en el centro de la parte inferior de la turntable entre los tres radios del cubo. Los rodillos del soporte deben encajar dentro del borde inferior de la turntable.

Elemento de Asado

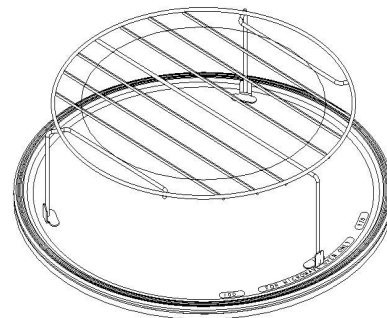
El horno de microondas usa un elemento térmico de barra caliente (cal rod) para el asado. La cavidad y la puerta del horno de microondas se calentarán. Consulta la sección "Partes y Características". Se recomienda el uso de guantes para horno.

Accesorios para Asado

Rack de parrilla

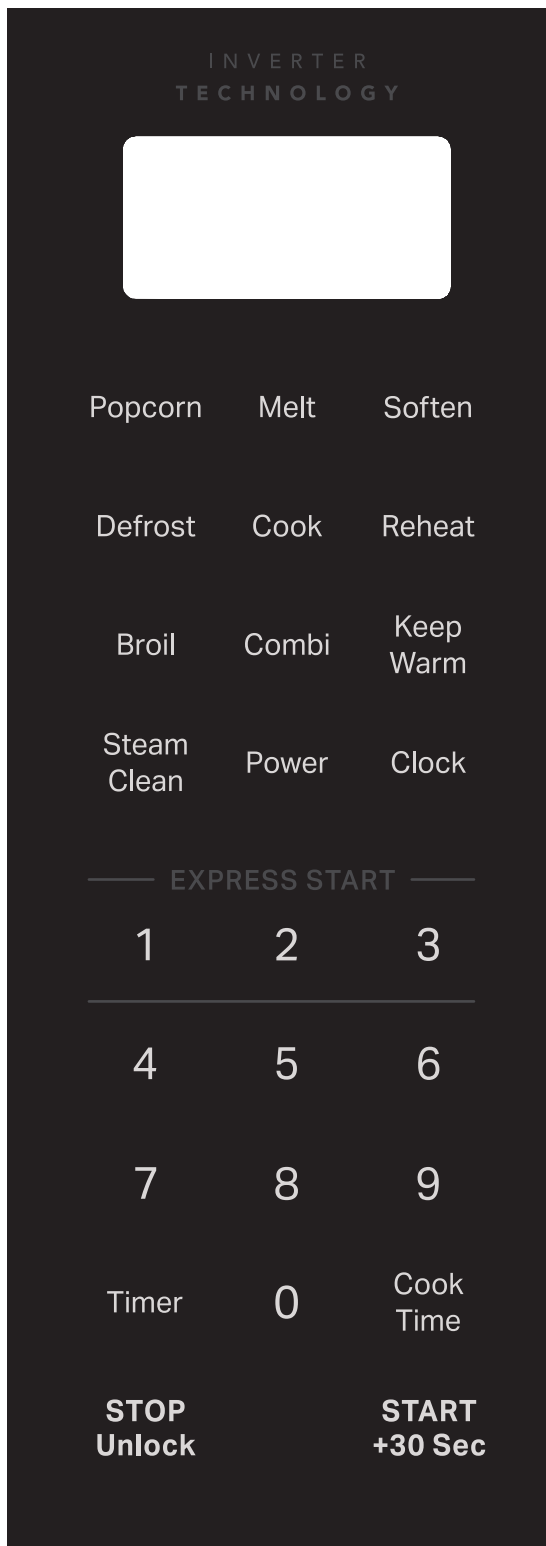


Rack de parrilla y Turntable



CONTROL DEL HORNO DE MICROONDAS

Microondas Potencia Cantidad



Pantalla

Cuando se suministra energía por primera vez al horno de microondas, aparecerá "12 Hr" en la pantalla. El usuario puede presionar el botón Reloj para cambiar el formato a 12 o 24 horas. Presiona el botón START (INICIAR) para confirmar. Luego la pantalla mostrará "00:00".

Modo de espera

Cuando no se usan funciones, el horno de microondas pasará al modo de espera.

Después de seleccionar una función, presiona el botón STOP/UNLOCK (DETENER/DESBLOQUEAR) para salir de la selección de función. Si presionas nuevamente el botón STOP/UNLOCK y no se activa el modo de cocción, la acción será inválida.

Cuando se activa el modo de cocción y el usuario presiona el botón STOP/UNLOCK, las funciones de STOP/UNLOCK se activarán simultáneamente. Presiona el botón STOP/UNLOCK nuevamente para cancelar la función y volver al modo de espera.

INICIAR

El botón START inicia cualquier función. Si la cocción sin sensor se interrumpe al abrir la puerta, presionar el botón START reiniciará el ciclo.

NOTA: Para evitar el funcionamiento no intencional del horno de microondas, no se puede iniciar una función de cocción si la puerta del horno ha estado cerrada durante aproximadamente 1 minuto. La palabra "door (puerta)" aparecerá en la pantalla hasta que se abra y cierre la puerta.

Inicio rápido/Añadir 30 segundos

En modo de espera, presionar START inicia automáticamente el horno de microondas a 100% de potencia durante 30 segundos, y cada toque adicional del botón añade 30 segundos de tiempo de cocción. Se pueden añadir incrementos de 30 segundos a cualquier ciclo de cocción manual, en el momento del nivel de potencia, presionando el botón START durante la cocción.

NOTA:

- Inicio rápido 30 seg: Presiona "Start/+ 30 sec", iniciará la potencia máxima en 30 seg; presiona nuevamente si necesitas añadir más tiempo en medio del ciclo o al final del ciclo.
- Cocción rápida por minutos: También puedes presionar el botón del teclado 1-3 para cocinar a potencia máxima durante los minutos seleccionados.

DETENER/DESBLOQUEAR

El botón STOP/UNLOCK borra cualquier comando incorrecto y cancela cualquier programa durante la cocción. Presiona el botón STOP/UNLOCK para detener el ciclo: no borrará la hora del día.

El horno de microondas también se apagará al abrir la puerta. Cierra la puerta y presiona START para reanudar el ciclo.

Reloj

El horno de microondas debe estar en modo de espera.

1. Presiona el botón Reloj para entrar en la configuración del reloj.
También aparecerá cada vez que el producto se conecte a la fuente de energía, o cuando se restablezca la energía después de un corte.
2. Presiona el botón del teclado 0-9 para configurar la hora.
3. Presiona el botón del teclado 0-9 para configurar los minutos.
4. Presiona el botón INICIAR (START) o RELOJ (CLOCK) para confirmar la configuración.

Silenciar Encendido/Apagado

Esta función permite al usuario activar/desactivar todos los sonidos del aparato, incluyendo los sonidos de pulsación de botones, advertencias, alarmas e incluso la retroalimentación de audio final.

Presiona y mantén pulsado el botón Mantener Caliente (Keep Warm) durante 3 segundos para activar el silencio; mantén pulsado el botón nuevamente durante 3 segundos para volver a activar el sonido.

Inicio Express

Presiona el botón del teclado 1, 2 o 3: el horno de microondas funcionará a 100% de potencia durante 1 min, 2 min o 3 min de tiempo de cocción directamente. No es necesario presionar el botón INICIAR (START).

NOTA: Esta función solo se puede activar en estado inactivo. El horno de microondas emitirá un sonido de entrada inválida si se presionan las teclas 4, 5, 6, 7, 8, 9, 0.

Temporizador

Para configurar:

1. Presiona el botón Temporizador (Timer).
2. Presiona el botón del teclado 0-9 para ingresar el tiempo deseado.
3. Presiona el botón INICIAR (START). Cuando finalice el tiempo configurado, se emitirá un sonido de finalización del temporizador.
4. Cuando la cuenta regresiva del temporizador se complete en la pantalla, sonará una señal. Presiona DETENER/DESBLOQUEAR (STOP/UNLOCK) para detener el temporizador.

NOTA: El temporizador no inicia ni detiene el horno de microondas. Esta función solo se puede configurar en modo de espera.

Finalización de Cocción

Cuando la cocción finalice, la pantalla mostrará el texto "End (Fin)". Se emitirá un pitido acústico de recordatorio.

1. Después de la finalización de la cocción: si presionas el botón DETENER/DESBLOQUEAR (STOP/UNLOCK), sacas la comida y vuelves a cerrar la puerta, la interfaz mostrará el reloj y pasará al modo de apertura de puerta de 1 paso.
2. Si no retiras la comida en 30 minutos, mostrará "END (Fin)" constantemente durante 30 minutos, y después volverá automáticamente al modo de espera, se desbloqueará y pasará al modo de apertura de puerta de 1 paso.
3. La luz se apagará, el ventilador funcionará durante 1 minuto y la pantalla mostrará "Fan (Vent)".

Instrucciones del Teclado

Teclado	Característica	Instrucciones
Timer	Mantener para configurar el Temporizador	<p>Para configurar el temporizador:</p> <ol style="list-style-type: none"> 1. Presiona el botón TIMER (Temporizador). 2. Presiona el botón del teclado 0-9 para seleccionar el valor del temporizador. 3. Presiona el botón START (Iniciar) para confirmar. <p>NOTA: El microondas debe estar en estado inactivo. La pantalla muestra "30:00" como valor predeterminado (establecido en minutos, de 00:01 a 60:00 min); presiona START para confirmar.</p>
Power	Configurar Potencia de Cocción	<p>Para configurar la potencia de cocción:</p> <ol style="list-style-type: none"> 1. En modo de espera, presiona el botón Cook Time (Tiempo de Cocción). El tiempo predeterminado es "00:00". 2. Presiona los botones numéricos para ingresar el tiempo deseado (de 00:01 a 90:00). 3. Presiona el botón Power (Potencia) para confirmar; la pantalla mostrará el nivel de potencia predeterminado "1 0". 4. Presiona los botones numéricos para configurar los niveles de potencia. 5. Presiona el botón START (Iniciar) y el horno funcionará.
Cook Time	Configurar Tiempo de Cocción	<p>Para configurar el tiempo de cocción:</p> <ol style="list-style-type: none"> 1. En modo de espera, presiona el botón Power (Potencia). El nivel de potencia predeterminado es "1 0". 2. Presiona los botones numéricos para configurar los niveles de potencia. 3. Presiona el botón Cook Time (Tiempo de Cocción) para confirmar; la pantalla mostrará "00:00". 4. Presiona los botones numéricos para ingresar el tiempo deseado (de 00:01 a 90:00). 5. Presiona el botón START (Iniciar) y el horno funcionará.
START (+ 30 Seg)	Añadir 30 Segundos	<p>NOTA: Mientras la cuenta regresiva del Temporizador esté activa en la pantalla, pulsa STOP/UNLOCK (Detener/Desbloquear) para detener el Temporizador. El temporizador no inicia ni detiene el microondas.</p> <p>El botón START (Iniciar) se puede usar de dos formas:</p> <ol style="list-style-type: none"> 1. Para iniciar el microondas (cocinando durante 30 segundos a potencia máxima) en estado inactivo. 2. Para aumentar el tiempo de cocción en incrementos de 30 segundos. Cada pulsación añade 30 segundos.
START (+ 30 Seg)	Iniciar Función	
STOP/UNLOCK	Función de Pausa/Detener del Microondas	<p>Presiona el botón START (Iniciar) para activar cualquier función de cocción. Si la cocción se interrumpe al abrir la puerta, pulsa el botón START después de volver a cerrar la puerta para reanudar el ciclo. El botón STOP/UNLOCK (Detener/Desbloquear) detiene cualquier función del microondas (excepto el reloj). El microondas también se apagará al abrir la puerta. Al abrir la puerta, el/los elemento(s) se apagarán, pero la luz del microondas permanecerá encendida. Cierra la puerta y pulsa el botón START para reanudar el ciclo preconfigurado.</p>

Teclado	Característica	Instrucciones
DETENER/DESBLOQUEAR	Apertura de Puerta en 2 Pasos	<p>Función de Apertura de Puerta en 2 Pasos Este microondas incluye la función adicional de apertura de puerta en 2 pasos para evitar accesos no intencionados.</p> <p>El botón STOP/UNLOCK (Detener/Desbloquear) se puede usar para pausar/cancelar la función durante o después del tiempo de cocción.</p> <p>El botón STOP/UNLOCK también se usa para la apertura de puerta en 2 pasos:</p> <ol style="list-style-type: none"> Una vez que configures el tiempo de cocción y presiones el botón START (Iniciar), el icono de Bloqueo de Puerta aparecerá en la pantalla. Para abrir el microondas: <ul style="list-style-type: none"> Presiona STOP/UNLOCK. Tira del mango de la puerta. <p>NOTA: Una vez que presiones el botón STOP/UNLOCK para detener/pausar cualquier función, el icono de Bloqueo de Puerta desaparecerá durante 10 segundos y podrás tirar del mango de la puerta para abrirla. El icono de Bloqueo de Puerta volverá a aparecer después de 10 segundos y deberás repetir los pasos 1 y 2 para abrir la puerta.</p> <p>NOTA: Cuando la máquina se enciende después de conectarla, la función de Puerta en 2 Pasos no se activará. Si un ciclo de cocción comienza después de cerrar la puerta, se necesitan 2 pasos para abrirla. Una vez que se usen los 2 pasos para abrir la puerta, si la puerta se cierra y no se aplica cocción, podrás abrirla simplemente tirando del mango.</p> <p>NOTA: Este microondas incluye la función adicional de apertura de puerta en 2 pasos para evitar accesos no intencionados. Cuando los niños no tienen acceso al aparato, existe una opción para desactivar la función si no se necesita.</p> <p>Activación/Desactivación de la función de puerta en 2 pasos en la pantalla:- Pasos para desactivar la función de puerta en 2 pasos:</p> <ol style="list-style-type: none"> Después de presionar el botón STOP/UNLOCK durante 3 segundos, aparecerá “dl: 0” en la pantalla. Después de presionar el botón “0”, aparecerá “dl: 1” en la pantalla. Presiona el botón START (Iniciar) para confirmar. <p>NOTA: dl (Desactivar)</p> <p>NOTA: Si desconectas el microondas, recordará la última operación. No necesitarás desactivar o activar la función de puerta en 2 pasos nuevamente.</p> <p>Pasos para activar la función de puerta en 2 pasos:</p> <ol style="list-style-type: none"> Después de presionar el botón STOP/UNLOCK durante 3 segundos, aparecerá “EA: 0” en la pantalla. Después de presionar el botón “0”, aparecerá “EA: 1” en la pantalla. Presiona el botón START (Iniciar) para confirmar. <p>NOTA: EA (Activar)</p> <p>IMPORTANTE: La desactivación de esta función solo debe hacerse cuando el propietario esté seguro y no haya niños presentes.</p> <p>El usuario puede presionar los números del teclado 0-9 para seleccionar el tiempo de cocción, la clase de alimento, el peso del alimento y el nivel de potencia.</p>
0-9	Número del Teclado	<p>La función permite configurar el reloj. Para usarla:</p> <ol style="list-style-type: none"> En modo de espera, presiona el botón “Reloj (Clock)”; la hora actual aparecerá en la pantalla. Si no, mostrará la hora predeterminada “00:00”. Presiona el botón del teclado 0-9 para ajustar la hora. Presiona el botón START/+30 Seg (Iniciar/+30 Seg) o Reloj (Clock) para confirmar.
Reloj	Configurar el reloj	<p>La función permite mantener tus platos calientes. Para usarla:</p> <ol style="list-style-type: none"> En modo de espera, presiona el botón “Mantener Caliente (Keep Warm)”; el tiempo predeterminado “30:00” aparecerá en la pantalla. Presiona el botón “Mantener Caliente (Keep Warm)” o el teclado 0-9 para seleccionar 15 min, 30 min, 45 min o 60 min.
Mantener Caliente	Mantener Caliente	

Teclado	Característica	Instrucciones
		<p>3. Presiona el botón START (Iniciar).</p> <p>NOTA: El ciclo de Mantener Caliente dura 15 minutos (predeterminado 30 minutos), el tiempo máximo es 60 minutos. Cada ciclo de 15 minutos, el microondas se encenderá durante 2,5 minutos. Después de que finalice la cocción, la luz de la cavidad se apagará y el ventilador funcionará durante 1 minuto.</p>
Mantener Caliente	Activar o desactivar el sonido de pitido	<p>Función para activar/desactivar el sonido de pitido:</p> <ol style="list-style-type: none"> 1. Presiona y mantén pulsado el botón “Mantener Caliente (Keep Warm)” durante 3 segundos para activar el silencio; aparecerá el icono MUTE OFF (SILENCIO DESACTIVADO) en la pantalla. 2. Mantén pulsado el botón nuevamente durante 3 segundos para volver a activar el sonido.
Palomitas de Maíz	Palomitas de maíz	<p>Para usar la preconfiguración de palomitas de maíz:</p> <ol style="list-style-type: none"> 1. En modo de espera, pulsa repetidamente el botón “Palomitas (Popcorn)” para seleccionar el tamaño de la bolsa (2,75, 3,0 o 3,5 oz). 2. Presiona el botón START (Iniciar).
Descongelar	Descongelar	<p>La función de Descongelar ayuda con los alimentos congelados. Para descongelar:</p> <ol style="list-style-type: none"> 1. Presiona el botón “Descongelar (Defrost)”; 2. Presiona el botón “Descongelar (Defrost)” o el teclado 0-9 para seleccionar el descongelado manual o la clase de alimento deseada (P01...P04). 3. Presiona el botón START (Iniciar) para confirmar. <p>P01-Descongelado Manual:</p> <ol style="list-style-type: none"> 4. La pantalla mostrará el tiempo predeterminado “00:00”. 5. Presiona el teclado 0-9 para ajustar el tiempo de descongelado. 6. Presiona el botón START (Iniciar). <p>P02-P04 Descongelado Automático:</p> <ol style="list-style-type: none"> 7. La pantalla mostrará el peso predeterminado. 8. Presiona el teclado 0-9 para ajustar el peso deseado. 9. Presiona el botón START (Iniciar).
Recalentar	Recalentar	<p>Para recalentar usando las funciones preconfiguradas:</p> <ol style="list-style-type: none"> 1. En modo de espera, presiona el botón “Recalentar (Reheat)”; 2. Presiona el botón “Recalentar (Reheat)” o el teclado 0-9 para seleccionar la clase de alimento (P01...P04). 3. Presiona el botón START (Iniciar). <p>NOTA: Consulta la sección Recalentar de esta guía para la categoría de alimentos, o la etiqueta de referencia en la placa frontal del microondas.</p> <ol style="list-style-type: none"> 4. Cocción por Sensor: Un sensor en el horno de microondas detecta la humedad que libera el alimento mientras se calienta, y ajusta el tiempo de cocción en consecuencia. (Para cocción sin sensor, la pantalla mostrará el peso predeterminado. Presiona el teclado 0-9 para ajustar el peso deseado. Presiona el botón START.)
Cocinar	Cocinar	<p>En el modo Cocción, no es necesario configurar el tiempo y la potencia:</p> <ol style="list-style-type: none"> 1. En modo de espera, presiona el botón “Cocción (Cook)”; 2. Presiona el teclado 0-9 o el botón “Cocción (Cook)” para seleccionar una categoría de alimentos. <p>Consulta la sección Menú de Cocción de esta guía para la categoría de alimentos, o la etiqueta de referencia en la placa frontal del microondas.</p> <ol style="list-style-type: none"> 3. Presiona el botón START (Iniciar). <p>Al presionar el botón STOP/UNLOCK (Detener/Desbloquear) nuevamente, se detendrá la función de cocción y el microondas pasará al modo de espera (Cocción por Sensor).</p>

Teclado	Característica	Instrucciones
Ablandar	Ablandar	<p>Se usa para ablandar alimentos. Para utilizarla:</p> <ol style="list-style-type: none"> 1. En modo de espera, presiona el botón “Ablandar (Soften)”; aparecerá P01 en la pantalla. 2. Presiona el botón “Ablandar (Soften)” o el teclado 0-9 para seleccionar una categoría de alimentos. Consulta la sección Ablandar de esta guía o la etiqueta en la puerta del microondas. Presiona el botón START (Iniciar) para confirmar. 3. Usa el teclado 0-9 para ajustar la cantidad. 4. Presiona el botón START (Iniciar).
Derretir	Derretir	<p>Se usa para derretir alimentos. Para utilizarla:</p> <ol style="list-style-type: none"> 1. En modo de espera, presiona el botón “Derretir (Melt)”; aparecerá P01 en la pantalla. 2. Presiona el botón “Derretir (Melt)” o el teclado 0-9 para seleccionar una categoría de alimentos. Consulta la sección Derretir de esta guía o la etiqueta en la puerta del microondas. Presiona el botón START (Iniciar) para confirmar. 3. Usa el teclado 0-9 para ajustar la cantidad. 4. Presiona el botón START (Iniciar).
Limpieza por Vapor	Ciclo de limpieza automática	<p>Ayuda a limpiar la cavidad del microondas:</p> <ol style="list-style-type: none"> 1. Coloca 1 taza de agua (~250mL) en el centro de la cavidad. 2. Presiona el botón “Limpieza por Vapor (Steam Clean)”; aparecerá el tiempo predeterminado “11:00” en la pantalla. 3. Presiona el botón START (Iniciar) para activar la función. (Después de finalizar el ciclo de calentamiento del agua [8 min], la luz de la cavidad y el ventilador se apagarán, y se mostrará el tiempo de cuenta regresiva.)
Asar	Cocción a asar	<p>NOTA: Por favor, sigue los Consejos y Sugerencias en la sección Limpieza por Vapor.</p> <p>Esta función permite asar alimentos. Para usarla:</p> <ol style="list-style-type: none"> 1. En modo de espera, presiona el botón “Asar (Broil)”; la pantalla mostrará el tiempo predeterminado “00:30”. 2. Presiona el teclado 0-9 para ajustar el tiempo de cocción (de 0:01 a 90:00). 3. Presiona el botón START/+30 Seg (Iniciar/+30 Seg).
Cocción Combinada	Cocción combinada	<p>Esta función permite cocinar con combinación de modos. Para usarla:</p> <ol style="list-style-type: none"> 1. En modo de espera, presiona el botón “Combinada (Combi)”; la pantalla mostrará el valor predeterminado “C01”. 2. Presiona el botón “Combinada (Combi)” o el teclado 0-9 para seleccionar una categoría de alimentos. Consulta la sección Combinada de esta guía o la etiqueta en la puerta del microondas. 3. Presiona el botón START/+30 Seg (Iniciar/+30 Seg); la pantalla mostrará “00:00”. 4. Presiona el teclado 0-9 para ajustar el tiempo de cocción (de 0:01 a 90:00). 5. Presiona el botón START/+30 Seg (Iniciar/+30 Seg). <p>NOTA:</p> <ul style="list-style-type: none"> - Asegúrate de que los utensilios usados sean seguros para microondas y resistentes al calor al utilizar esta función. - No uses utensilios de plástico al asar: se derretirán. Tampoco son adecuados los artículos de madera o papel. - Ten cuidado: no toques el elemento de asado. - Es posible cambiar el tiempo de duración incluso después de que el proceso de cocción haya comenzado. - Para cambiar el tiempo de duración: presiona primero el botón de Tiempo de Cocción, luego el teclado 0-9 para establecer el valor del tiempo, y presiona el botón Iniciar para confirmar.

USO DEL HORNO DE MICROONDAS

Un magnetrón en el horno de microondas produce microondas que rebotan en el suelo, paredes y techo (de metal) y pasan a través del recipiente y los utensilios para calentar los alimentos. Las microondas son atraídas y absorbidas por las moléculas de grasa, azúcar y agua en los alimentos, lo que hace que se muevan, generando fricción y calor (que cocina el alimento).

- Para evitar dañar el horno, no apoyarse en la puerta ni permitir que los niños se columpien en ella.
- Para evitar daños, no operar el horno cuando esté vacío.
- No calentar biberones ni frascos de comida para bebés en el microondas.
- No secar ropa, flores, frutas, hierbas, madera, calabazas ni papel (incluyendo bolsas de papel marrón y periódicos) en el microondas.
- La cera de parafina no se derretirá en el microondas, ya que no absorbe las microondas.
- Usar guantes o posavasos al sacar recipientes del horno.
- No cocinar las papas en exceso: al final del tiempo recomendado, deben estar ligeramente firmes. Dejar reposar 5 minutos (terminarán de cocinarse durante el reposo).
- No cocinar ni recalentar huevos enteros en su cáscara: el vapor se acumulará y los huevos pueden explotar (requiriendo una limpieza extensa de la cavidad). Cubrir los huevos pochados y dejar reposar.

CARACTERÍSTICAS DE LOS ALIMENTOS

Al cocinar en microondas, la cantidad, tamaño y forma, temperatura inicial, composición y densidad del alimento afectan los resultados de la cocción.

Cantidad de alimento

Cuanto más alimento se caliente a la vez, más tiempo se necesita. Verificar si está cocido y añadir pequeños incrementos de tiempo si es necesario.

Tamaño y forma

Las porciones pequeñas se cocinan más rápido que las grandes; los alimentos de forma uniforme se cocinan más evenly que los de forma irregular.

Temperatura inicial

Los alimentos a temperatura ambiente se calientan más rápido que los refrigerados; estos, a su vez, más rápido que los congelados.

Composición y densidad

Los alimentos ricos en grasa y azúcar alcanzan temperaturas más altas y se calientan más rápido. Los alimentos pesados y densos (como carne y papas) requieren más tiempo de cocción que los ligeros y porosos (como el pastel) del mismo tamaño.

DIRECTRICES DE COCCIÓN

Cubrir

Cubrir los alimentos ayuda a retener humedad, acortar el tiempo de cocción y reducir salpicaduras. Usar la tapa del utensilio; si no hay, papel de cera, toallas de papel o envoltura plástica aprobada para microondas. Doblar una esquina de la envoltura para dejar salir el vapor. La condensación en la puerta y cavidad es normal durante cociones intensas.

Revolver y voltear

Revolver redistribuye el calor evenly para evitar que los bordes se cocinen en exceso (revolver de afuera hacia adentro). Si es posible, voltear el alimento de abajo hacia arriba.

Disponer

Al calentar alimentos de forma irregular o tamaños diferentes: colocar las partes más delgadas y pequeños hacia el centro. Si cocinas varios artículos del mismo tamaño/forma: disponerlos en un círculo, dejando el centro vacío.

Perforar

Antes de calentar, usar un tenedor o cuchillo pequeño para perforar alimentos con piel o membrana (papas, yemas de huevo, hígados de pollo, perritos calientes, salchichas). Perforar en varios puntos para dejar salir el vapor.

Proteger

Usar pequeños trozos planos de papel de aluminio para proteger las partes delgadas de alimentos irregulares, huesos y alimentos como alas de pollo, puntas de pierna o colas de pescado. Consultar primero la sección "Papel de aluminio y metal".

Tiempo de reposo

Los alimentos seguirán cocinándose por conducción natural del calor, incluso después de que termine el ciclo del microondas. La duración del reposo depende del volumen y densidad del alimento.

Utensilios de cocina y vajilla

Los utensilios de cocina y la vajilla deben caber en el plato giratorio. Siempre usa guantes para horno o protectores de manos al manipularlos, ya que cualquier recipiente puede calentarse por transferencia de calor desde la comida. No uses utensilios de cocina ni vajilla con bordes de oro o plata. Usa la siguiente tabla como guía, y luego prueba antes de usar.

Material	Recomendaciones
Lámina de aluminio, Metal	Consulta la sección "Lámina de aluminio y Metal".
Plato para dorar	La base debe estar a al menos 3/16" (5 mm) sobre el plato giratorio. Sigue las recomendaciones del fabricante.
Vidrio cerámico, Vidrio	Aceptable para uso
Porcelana, Loza	Sigue las recomendaciones del fabricante.
Melamina	Sigue las recomendaciones del fabricante.
Papel: Toallas de papel, Vajilla de papel, Servilletas de papel	Usa productos no reciclados y aquellos aprobados por el fabricante para uso en microondas.
Plástico: Envoltorios de plástico, Bolsas de plástico, Taponeras de plástico, Vajilla de plástico, Recipientes de plástico	Usa aquellos productos aprobados por el fabricante para uso en microondas.
Cerámica y arcilla	Sigue las recomendaciones del fabricante.
Utensilios de hornado de silicona	Sigue las recomendaciones del fabricante.
Paja, mimbre, Recipientes de madera	No usar en el microondas.
Papel encerado	Aceptable para uso

Para probar utensilios o vajillas para uso en microondas:

- Coloca el utensilio o la vajilla en el microondas junto con 1 taza (250 mL) de agua.
- Cocina a 100% de potencia durante 1 minuto.

No uses el utensilio o la vajilla si se calienta y el agua permanece fría.

Lámina de aluminio y Metal

Siempre usa guantes para horno o protectores de ollas al sacar los platos del microondas.

La lámina de aluminio y algunos metales se pueden usar en el microondas. Si no se usan correctamente, puede producirse una descarga eléctrica (un destello azul) y dañar el microondas.

Válido para uso

Se pueden usar las rejillas y utensilios de hornado que vienen con el microondas (en algunos modelos), la lámina de aluminio para protección y los termómetros de carne aprobados, siguiendo las siguientes pautas:

- Para evitar dañar el microondas, no permitas que la lámina de aluminio o los metales toquen las paredes, el techo o el suelo de la cavidad interior.
- Siempre usa el plato giratorio.
- Para evitar dañar el microondas, no permitas que entren en contacto con otro objeto metálico durante la cocción en microondas.

No usar

No se deben usar en el microondas los utensilios y utensilios de hornado de metal, objetos de oro, plata, peltre, termómetros de carne no aprobados, brochetas, lazos de cierre, revestimientos de lámina (como envoltorios de sándwiches), grapas y objetos con bordes de oro o plata o un esmalte metálico.

Para uso con el elemento de parrilla

Usa la rejilla alta de parrilla proporcionada junto con una sartén resistente al horno para recoger las grasas.

Menú de cocción

El microondas está programado con alimentos comunes para microondas, sus cantidades, potencias de cocción y tiempos de cocción. Usa la siguiente tabla como guía para la cocción preestablecida.

Artículo	Categoría de alimentos	Cantidad
P01	Verduras frescas De temperatura ambiente. Coloca los alimentos en un recipiente seguro para microondas. Añade 2 cucharadas de agua al recipiente: 2 cucharadas para 1-2 tazas de verduras 4 cucharadas para 3-4 tazas de verduras Tapa el recipiente, dejando un orificio de ventilación. Revuelve y deja reposar 3 minutos después de cocinar.	1-4 tazas (Cocción por sensor)
P02	Verduras congeladas De temperatura congelada. Colócalas en un recipiente seguro para microondas. Añade agua al recipiente: 2 cucharadas para 1-2 tazas de verduras 4 cucharadas para 3-4 tazas de verduras Tapa el recipiente, dejando un orificio de ventilación. Revuelve y deja reposar 3 minutos después de cocinar.	1-4 tazas (Cocción por sensor)
P03	Avena Coloca la avena en un recipiente seguro para microondas y añade agua según las instrucciones del empaque. Tapa con papel film y dobla un borde unos 6 mm (1/4 pulgada) para hacer una ventilación. Coloca el recipiente en el centro del horno. Después de cocinar, revuelve con una cuchara o batidor hasta que quede uniforme.	1-4 tazas (Cocción por sensor)
P04	Plato principal congelado Saca el plato del empaque y afloja la cubierta de film en 3 lados del recipiente, dejando uno de los lados cortos aún adherido. Cúbrelo ligeramente con el film. Deja reposar 3 minutos los platos de 10.5 oz (297 g) y 20 oz (567 g).	10 oz, 20 oz, (283 g, 567 g) (Cocción por sensor)
P05	Patata (grande) Ingresa 1-4 unidades, de 10-12 oz (283-340 g) cada una. Pincha cada patata varias veces con un tenedor. Colócalas sobre una toalla de papel en el centro del plato giratorio. Deja reposar 5 minutos después de cocinar.	1-4 unidades / 1 unidad
P06	Patata (pequeña) Ingresa 1-16 unidades, de 3-5 oz (85-141 g) cada una. Pincha cada patata varias veces con un tenedor. Colócalas sobre una toalla de papel en el centro del plato giratorio. Deja reposar 5 minutos después de cocinar.	1-16 unidades / 1 unidad

Palomitas de maíz

Bolsas de 2.75, 3.0 o 3.5 oz.

- No use bolsas de papel comunes ni utensilios de vidrio
- Haz palomitas de solo un paquete a la vez.
- Sigue las instrucciones del fabricante al usar una máquina para palomitas de microondas.
- Escucha hasta que el crujido se reduzca a un crujido cada 1 o 2 segundos, luego detén el ciclo.
- No vuelvas a tostar los granos que no se abrieron.
- Para obtener los mejores resultados, usa bolsas frescas de palomitas.
- Los resultados de la cocción pueden variar según la marca y el contenido de grasa.

NOTA: Sigue las instrucciones proporcionadas por el fabricante de las palomitas de microondas.

Recalentamiento

Los tiempos y potencias de cocción ya están preconfigurados para recalentar varios tipos de alimentos. Usa la siguiente tabla como guía.

Artículo	Categoría de Alimentos	Cantidad
P01	Plato de cena Coloca la comida en el plato. Cúbrela con film transparente y deja un orificio para la ventilación. Deja reposar 2-3 minutos después de recalentar.	Grande (289-440g) Pequeño (Cocción por sensor)
P02	Recalentar pizza Coloca en un plato apto para microondas forrado con una servilleta de papel.	1-3 rebanadas 4 oz (113 g) por rebanada (Cocción por sensor)
P03	Sopa Coloca en un recipiente apto para microondas. Cúbrela con film transparente y deja un orificio para la ventilación. Revuelve y deja reposar 2-3 minutos después de recalentar.	1-4 tazas
P04	Bebida No tapar.	1-4 tazas

Ablandar

La función de Ablandar se puede usar para ablandar tu comida. Se han preestablecido tiempos y potencias de cocción para varios tipos de alimentos. Usa la siguiente tabla como guía.

Artículo	Categoría de Alimentos	Cantidad
P01	Mantequilla Desenvolver y colocar en un recipiente apto para microondas.	0.5-2.0 palos /0.5 palos
P02	Helado Desenvolver y colocar en un recipiente apto para microondas.	16-64 oz/16 oz
P03	Queso crema Desenvolver y colocar en un recipiente apto para microondas.	3 oz, 8 oz

Derretir

La función de Derretir se puede usar para derretir tu comida. Se han preestablecido tiempos y potencias de cocción para varios tipos de alimentos. Usa la siguiente tabla como guía.

Artículo	Categoría de Alimentos	Cantidad
P01	Mantequilla Desenvolver y colocar en un recipiente apto para microondas.	0.5-2.0 palos /0.5 palos
P02	Pepitas de chocolate Desenvolver y colocar en un recipiente apto para microondas.	4-12 oz/4 oz (113-340 g / 113 g)

Mantener caliente

Esta función te permite mantener tus platos calientes.

1. Presiona el botón "Mantener caliente"
2. Presiona los botones numéricos (0-9) para seleccionar el tiempo adecuado, luego presiona el botón START para iniciar. El tiempo predeterminado es 30 minutos, y el tiempo máximo es 60 minutos.

Descongelado automático

- Para obtener el mejor resultado, los alimentos deben estar a 0°F (-18°C) o más fríos al momento de descongelar.
- Quita el envoltorio de los alimentos y retira las tapas (de los jugos de fruta) antes de descongelar.
- Los paquetes planos se descongelan más rápido que los bloques gruesos.
- Separa las piezas de los alimentos lo antes posible durante o al final del ciclo para un descongelado más uniforme.
- Los alimentos que hayan estado fuera del congelador por más de 20 minutos o los alimentos congelados preparados no deben descongelarse con la función de descongelar, sino manualmente.
- Usa pequeños trozos de papel de aluminio para proteger partes de los alimentos como las puntas de las alas de pollo y las colas de pescado. Consulta primero la sección "Papel de aluminio y metal".
- Los tiempos y potencias de cocción están preestablecidos para descongelar varios tipos de alimentos.

Artículo	Categoría de Alimentos	Peso
P01	Deshielo Manual	-----
P02	Aves de corral	0.2 lbs-6.6 lbs/0.1 lbs
P03	Carne	0.2 lbs-6.6 lbs/0.1 lbs
P04	Pescado	0.2 lbs-6.6 lbs/0.1 lbs

Utilice la siguiente tabla como guía al descongelar aves de corral, carne o pescado

TABLA DE PREPARACIÓN PARA DESCONGELAR

Aves de corral

Pollo: entero y troceado Pollos de Cornualles	Coloque en un recipiente apto para microondas, con el pecho de pollo hacia arriba. Retire las vísceras del pollo entero.
---	--

CARNE

Carne de res: molida, filetes, asado, guiso Cordero: guiso y chuletas Cerdo: chuletas, costillas, asados, salchicha	Las zonas estrechas o grasosas de los cortes de forma irregular deben protegerse con papel de aluminio antes de descongelar. No descongele menos de 1/4 libra (113 g) ni dos hamburguesas de 4 oz (113 g). Coloque toda la carne en un recipiente apto para microondas.
--	---

PESCADO

Filetes, Filetes gruesos, Entero, Mariscos	Coloque en un recipiente apto para microondas.
--	--

Asar

La función Asar utiliza un elemento térmico de barra caliente que se calienta rápidamente para asar una variedad de alimentos.

- Usa el accesorio para asar para colocar los alimentos más cerca del elemento de parrilla y lograr una cocción más rápida.
- La cavidad del horno y la puerta se volverán muy calientes durante el uso del elemento de parrilla. Se recomienda el uso de guantes para horno.
- Usa una sartén resistente al horno para recoger las grasas.
- El accesorio para asar y la sartén se volverán muy calientes. Usa guantes para horno para agarrar la sartén al retirarla. Para evitar daños, no coloques la sartén caliente directamente sobre superficies sensibles al calor.
- La mesa giratoria debe estar en su lugar al usar la función Asar.
- Para obtener los mejores resultados, aplica una pequeña cantidad de aceite de cocina al accesorio para asar.

Ejemplos de tiempos de Asar

Elemento	Categoría de alimento	Peso
	Tostada	
	Corta el pan en rodajas y colócalo en el accesorio para asar	5-5, 1/2 min

Modo de uso:

1. Coloca el accesorio para asar firmemente sobre la sartén y coloca ambos en la mesa giratoria. Luego posiciona los alimentos en la rejilla y cierra la puerta.
2. Presiona la función Asar: aparecerá "00:30" en la pantalla. Ingresar la duración de la parrilla en minutos y segundos.
3. Presiona INICIAR/+30 Seg. El tiempo de asado comenzará a contar hacia atrás en la pantalla. Cuando termine el ciclo, aparecerá "Fin" en la pantalla y sonarán los tonos de finalización del ciclo.
4. Presiona DETENER/Desbloquear o abre la puerta para limpiar la pantalla.

Cocción combinada

Al usar el accesorio de rejilla de alambre, esta función permite realizar una cocción combinada. Los tiempos y potencias de cocción están preestablecidos para varios tipos de alimentos. Usa la siguiente tabla como guía.

Elemento	Función
C01	MW: 10s Asar: 23s
C02	MW: 18s Asar: 15s

CUIDADO DEL HORNO DE MICROONDAS

Limpieza general

IMPORTANTE: Antes de limpiar, asegúrate de que todos los controles están apagados y que el horno de microondas está frío. Siempre sigue las instrucciones de la etiqueta de los productos de limpieza.

Se recomienda usar jabón, agua y un paño o esponja suave, a menos que se indique lo contrario.

CAVIDAD DEL HORNO DE MICROONDAS

Para evitar dañar la cavidad del horno de microondas, no uses esponjas de limpieza con jabón, limpiadores abrasivos, almohadillas de lana de acero, toallas de limpieza granuladas o algunas toallas de papel recicladas.

Para evitar dañar los modelos de acero inoxidable, frota en la dirección del grano.

La zona donde la puerta y el marco del horno de microondas se tocan al cerrarse debe mantenerse limpia.

Suciedad promedio

- Jabones y detergentes suaves no abrasivos:
Enjuaga con agua limpia y seca con un paño suave sin pelusa.

Suciedad pesada

- Jabones y detergentes suaves no abrasivos:
Calienta 1 taza (250 mL) de agua durante 2 a 5 minutos en el horno de microondas. El vapor ablandará la suciedad. Enjuaga con agua limpia y seca con un paño suave sin pelusa.

Olores

- Jugo de limón o vinagre:
Calienta 1 taza (250 mL) de agua con 1 cucharada (15 mL) de jugo de limón o vinagre durante 2 a 5 minutos en el horno de microondas.

Tapa de entrada del microondas

Para evitar chispas y daños al horno de microondas, la tapa de entrada del microondas (consulta la sección "Partes y características") debe mantenerse limpia.

- Limpia con un paño húmedo.

PUERTA Y EXTERIOR DEL HORNO DE MICROONDAS

La zona donde la puerta y el marco del horno de microondas se tocan al cerrarse debe mantenerse limpia.

- Jabones y detergentes suaves no abrasivos: Enjuaga con agua limpia y seca con un paño suave sin pelusa.
- Limpiador de vidrios y toallas de papel o almohadilla de limpieza plástica no abrasiva: Aplica el limpiador de vidrios en la toalla, no directamente en la superficie.

PANEL DE CONTROLES

- Esponja o paño suave y agua: Humedece la esponja con agua y limpia el panel. Seca con un paño suave.
- Para evitar dañar el panel de controles, no uses limpiadores químicos o abrasivos.

MESA GIRATORIA

Vuelve a colocar la mesa giratoria inmediatamente después de limpiarla. No opera el horno de microondas sin que la mesa giratoria esté en su lugar.

- Limpiador suave y almohadilla de limpieza
- Lavavajillas

SOLUCIÓN DE PROBLEMAS

Primero prueba las soluciones sugeridas aquí. Si necesitas más asistencia o recomendaciones que te ayuden a evitar un servicio técnico, consulta la garantía o visita www.kitchenaid.com/owners; en Canadá, www.kitchenaid.ca/owners.

Ponte en contacto con nosotros por correo con cualquier pregunta o inquietud en la siguiente dirección:

En los Estados Unidos: KitchenAid Brand Home Appliances
Customer eXperience Centre
553 Benson Road
Benton Harbor, MI 49022-2692

En Canadá: KitchenAid Brand Home Appliances
Customer eXperience Centre
220-6750 Century Ave.
Mississauga, Ontario L5N 0B7

Por favor, incluye un número de teléfono para horario laboral en tu comunicación.

Si experimentas	Soluciones recomendadas
Nada funciona	Verifica lo siguiente: <ul style="list-style-type: none">■ Fusible doméstico o disyuntor: Si un fusible doméstico se ha fundido o un disyuntor se ha activado, reemplaza el fusible o reinicia el disyuntor. Si el problema persiste, llama a un electricista.
El horno de microondas no funciona	Verifica lo siguiente: <ul style="list-style-type: none">■ Magnetrón: Intenta calentar 1 taza (250 mL) de agua fría durante 2 minutos a 100% de potencia de cocción. Si el agua no se calienta, prueba los pasos de los puntos a continuación. Si el horno de microondas aún no funciona, solicita servicio técnico.■ Puerta: Cierra firmemente la puerta. En algunos modelos, si hay un separador de empaque adherido al interior de la puerta, retíralo y luego cierra la puerta firmemente. Si aparece un mensaje sobre la puerta en la pantalla, significa que la puerta ha estado cerrada durante 5 minutos o más sin que el horno de microondas se haya encendido (esto se hace para evitar encendidos no intencionados). Abre y cierra la puerta, luego inicia el ciclo.■ Stop (Desbloquear): Asegúrate de que la función Stop/Desbloquear esté DESACTIVADA. Asegúrate de que el modo demostración (en algunos modelos) esté DESACTIVADO.
El horno de microondas hace un ruido de zumbido	<ul style="list-style-type: none">■ Esto es normal y ocurre cuando el suministro de energía del magnetrón se activa cíclicamente.
La puerta del horno de microondas se ve ondulada	<ul style="list-style-type: none">■ Esto es normal y no afectará el rendimiento.
La mesa giratoria no funciona	Verifica lo siguiente: <ul style="list-style-type: none">■ Mesa giratoria: Asegúrate de que la mesa giratoria esté colocada con el lado correcto hacia arriba y que esté bien asentada en el soporte de la mesa giratoria. Consulta la sección "Mesa giratoria".■ Soporte de la mesa giratoria: Retira la mesa giratoria. Retira y limpia el centro, el soporte y los rodillos de la mesa giratoria. Vuelve a colocar el centro, el soporte y la mesa giratoria. Coloca 1 taza (250 mL) de agua en la mesa giratoria y reinicia el horno de microondas. Si aún no funciona, solicita servicio técnico. Para información sobre la garantía, visita www.kitchenaid.com/owners; en Canadá, www.kitchenaid.ca/owner. No opera el horno de microondas si la mesa giratoria y su soporte no funcionan correctamente.
La mesa giratoria cambia de dirección de rotación	<ul style="list-style-type: none">■ Esto es normal y depende de la rotación del motor al inicio del ciclo.
La pantalla muestra mensajes	<ul style="list-style-type: none">■ Un "0:00" parpadeante significa que hubo una falla de energía. Reinicia el reloj.
La pantalla muestra la cuenta regresiva del tiempo, pero el horno de microondas no está funcionando	Verifica lo siguiente: <ul style="list-style-type: none">■ Temporizador: Consulta la sección "Temporizador".
Los tonos no suenan	Verifica lo siguiente: <ul style="list-style-type: none">■ Tonos: Consulta la sección "Tonos".
Los tiempos de cocción parecen demasiado largos	Verifica lo siguiente: <ul style="list-style-type: none">■ Potencia de cocción: Consulta la sección "Potencia".■ Cantidad de comida: Cantidades más grandes de comida requieren tiempos de cocción más largos.■ Voltaje: Que un electricista calificado revise el sistema eléctrico del hogar.
Hay un olor que proviene del horno de microondas durante la cocción por convección y/o parrilla	<ul style="list-style-type: none">■ Esto es normal durante los primeros ciclos de cocción por convección y/o parrilla. El olor desaparecerá con el uso repetido.

Si experimentas	Soluciones recomendadas
interferencias en la radio, TV o teléfono sin cables	<p>Verifica lo siguiente:</p> <ul style="list-style-type: none"> ■ Proximidad: Aleja el receptor del horno de microondas o ajusta la antena de la radio o TV. Si el horno está conectado al mismo enchufe, usa un enchufe diferente para el dispositivo electrónico. ■ Suciedad: Asegúrate de que la puerta del horno de microondas y las superficies de sellado estén limpias. ■ Frecuencia: Algunos teléfonos sin cables y redes Wi-Fi basados en 2.4 GHz pueden experimentar interferencias o ruido mientras el horno de microondas está ENCENDIDO. Usa un teléfono con cable, un teléfono sin cables de otra frecuencia, o evita usar estos artículos mientras el horno está en funcionamiento.

AYUDA O SERVICIO TÉCNICO

Si necesitas servicio técnico:

Para información sobre la garantía, visita www.kitchenaid.com/owners; en Canadá, www.kitchenaid.ca/owners.

Si necesitas piezas de repuesto:

Si debes pedir piezas de repuesto, te recomendamos usar solo las piezas especificadas por la fábrica. Estas piezas se ajustan y funcionan correctamente, ya que se fabrican con la misma precisión que se usa para construir cada aparato nuevo de KitchenAid.

Para encontrar las piezas especificadas por la fábrica en tu área, llama a nosotros o a tu centro de servicio designado de KitchenAid más cercano.

En los Estados Unidos

Llama al Centro de Experiencia del Cliente de KitchenAid de forma gratuita: 1-800-422-1230 o visita nuestro sitio web en www.kitchenaid.com/owners.

Nuestros consultores brindan ayuda con:

- Programación de servicio técnico: Los técnicos de servicio designados para aparatos KitchenAid están capacitados para cumplir la garantía del producto y ofrecer servicio post-garantía en cualquier parte de los Estados Unidos.
- Características y especificaciones de toda nuestra línea de aparatos.
- Referencias a distribuidores locales de aparatos KitchenAid.
- Información sobre instalación.
- Procedimientos de uso y mantenimiento.
- Venta de accesorios y piezas de reparación.
- Asistencia al cliente especializada (atención en español, para personas con discapacidad auditiva, visión reducida, etc.).

Para más asistencia:

Si necesitas ayuda adicional, puedes escribir a KitchenAid con tus preguntas o inquietudes a la siguiente dirección:

KitchenAid Brand Home Appliances
Customer eXperience Center
553 Benson Road
Benton Harbor, MI 49022-2692

Por favor, incluye un número de teléfono para horario laboral en tu comunicación.

En Canadá

Llama al Centro de Experiencia del Cliente de KitchenAid de forma gratuita: **1-800-807-6777** o visita nuestro sitio web en www.kitchenaid.ca/owners.

Nuestros consultores brindan ayuda con:

- Programación de servicio técnico: Los técnicos de servicio designados para aparatos KitchenAid están capacitados para cumplir la garantía del producto y ofrecer servicio post-garantía en cualquier parte de Canadá.
- Características y especificaciones de toda nuestra línea de aparatos.
- Referencias a distribuidores locales de aparatos KitchenAid.
- Procedimientos de uso y mantenimiento.
- Venta de accesorios y piezas de reparación.

Para más asistencia:

Si necesitas ayuda adicional, puedes escribir a KitchenAid con tus preguntas o inquietudes a la siguiente dirección:

KitchenAid Brand Home Appliances
Customer eXperience Centre
200-6750 Century Ave.
Mississauga, Ontario L5N 0B7

Por favor, incluye un número de teléfono para horario laboral en tu comunicación.

Piezas de Repuesto

Mesa giratoria de vidrio
Número de parte: W11664476

Soporte y rodillos de la mesa giratoria
Número de parte: W11815765

Cubo de la mesa giratoria
Número de parte: W11815766