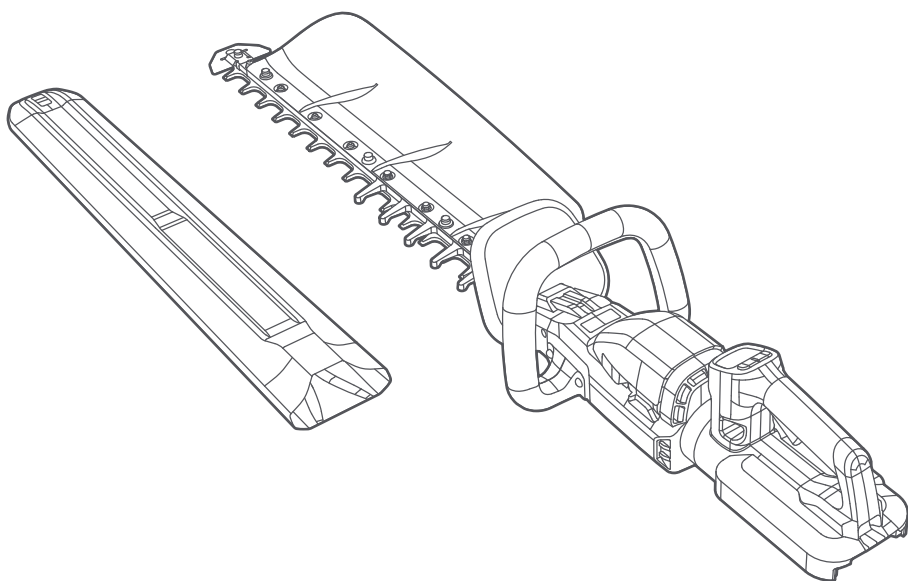


MOVA



60V 65cm Brushless Hedge Trimmer

Model Number: GH625/GH625X

User Manual

⚠ WARNING: Thoroughly read and understand the manual before using this product. Save this user manual for future reference.

● Images are for reference only. Actual appearance may vary.

Table of Contents

1 Introduction	4
2 Safety Instructions.....	4
3 Product Introduction	10
4 ASSEMBLY.....	13
5 MOVAhome App	15
6 Operation	16
7 Maintenance.....	21
8 Disposal.....	23
9 Troubleshooting.....	23
10 Specifications.....	25

1 Introduction

⚠ WARNING: The hedge trimmer is a high-speed cutting tool and is powered by battery. Special safety precautions must be observed to reduce the risk of hazards and personal injuries.

⚠ WARNING: Thoroughly read and understand the user manual before use and periodically thereafter.

1.1 Intended Use

The machine is intended for trimming hedges. Do not repurpose the hedge trimmer for tasks other than its designated use, as doing so could pose safety risks and could damage the machine.

1.2 Lend / Rent Instructions

Ensure that this user manual accompanies the hedge trimmer at all times, whether it is being lent, rented, or used. Only individuals who have received proper training and have a complete understanding of all the instructions and information contained in this manual should operate the trimmer.

1.3 Residual Risk

Although all reasonable and necessary safety measures have been adopted in the design, production, and testing of this power tool to minimize potential risks, due to the inherent characteristics of mechanical products and the diversity of usage scenarios, there may still be residual risks that cannot be completely eliminated.

2 Safety Instructions

READ & UNDERSTAND ALL INSTRUCTIONS!

⚠ DANGER: This machine poses a risk of severe personal injury or death. To prevent serious harm, strictly follow all safety instructions provided in this manual.

⚠ WARNING: Carefully read the safety instructions below and understand them before use to minimize injury risks.

⚠ WARNING: Using unapproved or non-MOVA accessories can lead to overheating, device damage and safety hazards.

2.1 General Power Tool Safety Warnings

⚠ WARNING: Read all safety warnings, instructions, illustrations

and specifications provided with this power tool. Failure to follow all instructions listed below may result in electric shock, fire and/or serious injury.

SAVE ALL WARNINGS AND INSTRUCTIONS FOR FUTURE REFERENCE. The term "power tool" in the warnings refers to your mains-operated (corded) power tool or battery-operated (cordless) power tool.

2.2 Work Area Safety

- **Keep work area clean and well lit.** Cluttered or dark areas invite accidents.
- **Do not operate power tools in explosive atmospheres, such as in the presence of flammable liquids, gases or dust.** Power tools create sparks which may ignite the dust or fumes.
- **Keep children and bystanders away while operating a power tool.** Distractions can cause you to lose control.

2.3 Electrical Safety

- **Power tool plugs must match the outlet. Never modify the plug in any way. Do not use any adapter plugs with earthed (grounded) power tools.** Unmodified plugs and matching outlets will reduce risk of electric shock.
- **Avoid body contact with earthed or grounded surfaces, such as pipes, radiators, ranges and refrigerators.** There is an increased risk of electric shock if your body is earthed or grounded.
- **Do not expose power tools to rain or wet conditions.** Water entering a power tool will increase the risk of electric shock.
- **Do not abuse the cord. Never use the cord for carrying, pulling or unplugging the power tool. Keep cord away from heat, oil, sharp edges or moving parts.** Damaged or entangled cords increase the risk of electric shock.
- **When operating a power tool outdoors, use an extension cord suitable for outdoor use.** Use of a cord suitable for outdoor use reduces the risk of electric shock.
- **If operating a power tool in a damp location is unavoidable, use a residual current device (RCD) protected supply.** Use of an RCD reduces the risk of electric shock.

2.4 Personal Safety

- **Stay alert, watch what you are doing and use common sense when operating a power tool. Do not use a power tool while you are tired or under the influence of drugs, alcohol or medication.** A moment of

inattention while operating power tools may result in serious personal injury.

- **Use personal protective equipment. Always wear eye protection.**

Protective equipment such as a dust mask, non-skid safety shoes, hard hat or hearing protection used for appropriate conditions will reduce personal injuries.

- **Prevent unintentional starting. Ensure the switch is in the off-position before connecting to power source and/or battery pack, picking up or carrying the tool.** Carrying power tools with your finger on the switch or energising power tools that have the switch on invites accidents.
- **Remove any adjusting key or wrench before turning the power tool on.** A wrench or a key left attached to a rotating part of the power tool may result in personal injury.
- **Do not overreach. Keep proper footing and balance at all times.** This enables better control of the power tool in unexpected situations.
- **Dress properly. Do not wear loose clothing or jewellery. Keep your hair and clothing away from moving parts.** Loose clothes, jewellery or long hair can be caught in moving parts.
- **If devices are provided for the connection of dust extraction and collection facilities, ensure these are connected and properly used.** Use of dust collection can reduce dust-related hazards.
- **Do not let familiarity gained from frequent use of tools allow you to become complacent and ignore tool safety principles.** A careless action can cause severe injury within a fraction of a second.

2.5 Power Tool Use and Care

- **Do not force the power tool. Use the correct power tool for your application.** The correct power tool will do the job better and safer at the rate for which it was designed.
- **Do not use the power tool if the switch does not turn it on and off.** Any power tool that cannot be controlled with the switch is dangerous and must be repaired.
- **Disconnect the plug from the power source and/or remove the battery pack, if detachable, from the power tool before making any adjustments, changing accessories, or storing power tools.** Such preventive safety measures reduce the risk of starting the power tool accidentally.
- **Store idle power tools out of the reach of children and do not allow persons unfamiliar with the power tool or these instructions to operate the power tool.** Power tools are dangerous in the hands of untrained users.
- **Maintain power tools and accessories. Check for misalignment or binding of moving parts, breakage of parts and any other condition that**

may affect the power tool's operation. If damaged, have the power tool repaired before use. Many accidents are caused by poorly maintained power tools.

- **Keep cutting tools sharp and clean.** Properly maintained cutting tools with sharp cutting edges are less likely to bind and are easier to control.
- **Use the power tool, accessories and tool bits etc. in accordance with these instructions, taking into account the working conditions and the work to be performed.** Use of the power tool for operations different from those intended could result in a hazardous situation.
- **Keep handles and grasping surfaces dry, clean and free from oil and grease.** Slippery handles and grasping surfaces do not allow for safe handling and control of the tool in unexpected situations.

2.6 Battery Tool Use and Care

- **Recharge only with the charger specified by the manufacturer.** A charger that is suitable for one type of battery pack may create a risk of fire when used with another battery pack.
- **Use power tools only with specifically designated battery packs.** Use of any other battery packs may create a risk of injury and fire.
- **When battery pack is not in use, keep it away from other metal objects, like paper clips, coins, keys, nails, screws or other small metal objects, that can make a connection from one terminal to another.** Shorting the battery terminals together may cause burns or a fire.
- **Under abusive conditions, liquid may be ejected from the battery; avoid contact. If contact accidentally occurs, flush with water. If liquid contacts eyes, additionally seek medical help.** Liquid ejected from the battery may cause irritation or burns.
- **Do not use a battery pack or tool that is damaged or modified.** Damaged or modified batteries may exhibit unpredictable behaviour resulting in fire, explosion or risk of injury.
- **Do not expose a battery pack or tool to fire or excessive temperature.** Exposure to fire or temperature above 130 °C (265 °F) may cause explosion.
- **Follow all charging instructions and do not charge the battery pack or tool outside the temperature range specified in the instructions.** Charging improperly or at temperatures outside the specified range may damage the battery and increase the risk of fire.

2.7 Service



- **Have your power tool serviced by a qualified repair person using only identical replacement parts.** This will ensure that the safety of the power tool is maintained.
- **Never service damaged battery packs.** Service of battery packs should only be performed by the manufacturer or authorized service providers.







2.8 Hedge trimmer safety warnings

- **Do not use the hedge trimmer in bad weather conditions, especially when there is a risk of lightning.** This decreases the risk of being struck by lightning.
- **Keep all power cords and cables away from cutting area.** Power cords or cables may be hidden in hedges or bushes and can be accidentally cut by the blade.
- **Wear ear protection.** Adequate protective equipment will reduce the risk of hearing loss.
- **Hold the hedge trimmer by insulated gripping surfaces only, because the blade may contact hidden wiring.** Blades contacting a "live" wire may make exposed metal parts of the hedge trimmer "live" and could give the operator an electric shock.
- **Keep all parts of the body away from the blade. Do not remove cut material or hold material to be cut when blades are moving.** Blades continue to move after the switch is turned off. A moment of inattention while operating the hedge trimmer may result in serious personal injury.
- **When clearing jammed material or servicing the hedge trimmer, make sure all power switches are off and the battery pack is removed or disconnected.** Unexpected actuation of the hedge trimmer while clearing jammed material or servicing may result in serious personal injury.
- **Carry the hedge trimmer by the handle with the blade stopped and taking care not to operate any power switch.** Proper carrying of the hedge trimmer will decrease the risk of inadvertent starting and resultant personal injury from the blades.
- **When transporting or storing the hedge trimmer, always use the blade cover.** Proper handling of the hedge trimmer will decrease the risk of personal injury from the blades.

2.9 Symbols and Decals

Safety symbols and labels shown below may be displayed on the product and its packaging. Before assembling or operating the product, ensure you fully comprehend and comply with all guidelines outlined on the unit. The advice and alerts provided by these symbols do not eliminate the need for effective accident-prevention strategies.

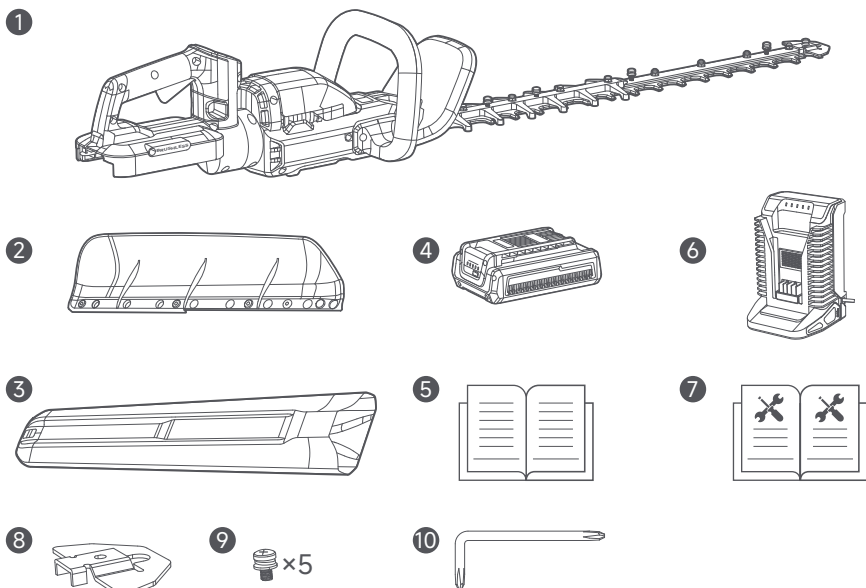
	Read the user manual.
	Wear a helmet, goggles, and ear protection.

	DANGER – Keep hands away from blade.
IPX4	IP symbol
	European Conformity
	Regulatory compliance mark
EAC	Eurasian conformity
	Do not dispose of electrical products with household waste. Recycle through authorized facilities.
	Guaranteed sound power level. Noise emission to the environment according to the European community's Directive.
	This symbol indicates that the product has been tested and certified by the CSA Group, and complies with applicable Canadian and U.S. safety and performance standards.

NOTE: Although all reasonable and necessary safety measures have been adopted in the design, production, and testing of this power tool to minimize potential risks, due to the inherent characteristics of mechanical products and the diversity of usage scenarios, there may still be residual risks that cannot be completely eliminated.

3 Product Introduction

3.1 What's in the Box



1 Hedge Trimmer

2 Sweeper

3 Blade Sheath

4 Battery Pack*

5 User Manual

6 Charger*

7 Warranty Card

8 Tip Protector

9 Screws (5 pcs)

10 L-shaped Screwdriver

*The actual accessories supplied may vary depending on the product model, sales region, production batch, or package configuration.

NOTE:

- Examine the tool and accessories listed above for any signs of shipping damage.
- If any part is missing or damaged, contact the retailer or MOVA Customer Service.
- Retain the packaging materials until you have fully inspected and tested the product.

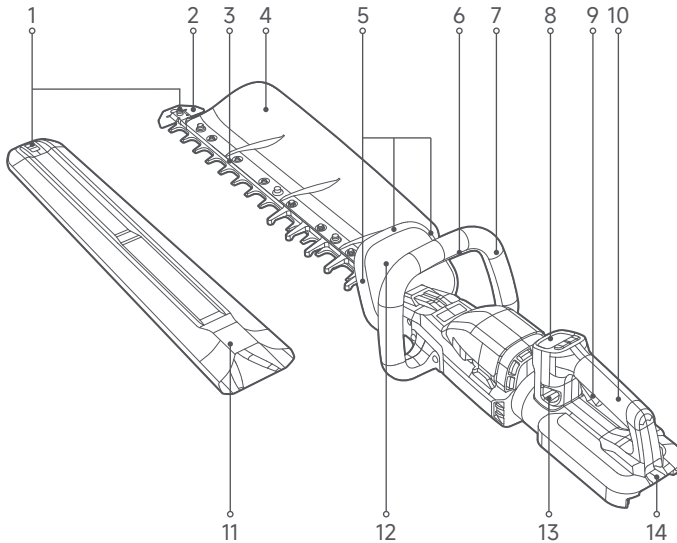
3.2 Recommended Accessories

⚠ WARNING: Use only the accessories listed below. Using non-approved accessories may result in poor performance or safety hazards.

Battery Pack	GBA625, GBA650
Charger	GCH606, GCH612

NOTE: For usage instructions of the battery pack and charger, please refer to the respective user manuals.

3.3 Product Overview



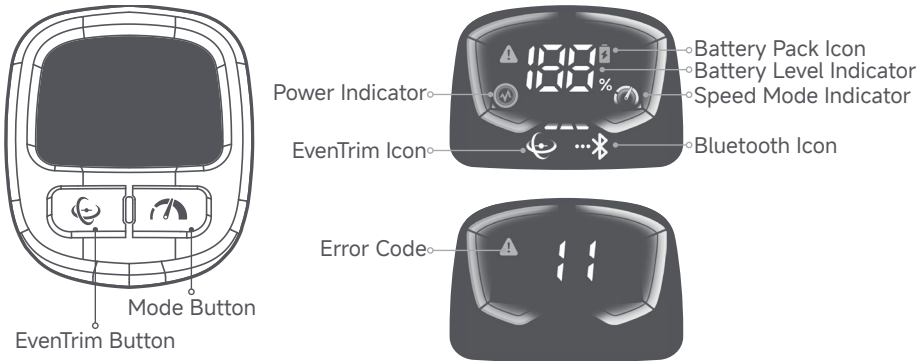
1	Hanging Hole
2	Tip Protector
3	Blade
4	Sweeper
5	EvenTrim Indicator
6	Front Trigger
7	Front Handle

8	Control Panel
9	Rear Trigger
10	Rear Handle
11	Blade Sheath
12	Hand Guard
13	Handle Release Latch
14	Battery Release Button

3.4 Control Panel

This section introduces the tool’s function button and the screen display that indicates the product status.

NOTE: The screen turns off automatically if no operation is detected for 10 minutes.



Mode Button	Press to activate the screen or adjust the speed.
EvenTrim Button	Press to activate the screen or turn on/off the Angle Sensor System.
Battery Level Indicator	Displays the current battery level (%) when the screen is activated.
Battery Pack Icon	Lights up when the battery pack is properly installed and the display is on.
Error Code	Lights up when a system malfunction is detected. Refer to the displayed error code to troubleshoot the issue or contact Customer Service for help.
Power Indicator	Displays the current power output level of the tool.
Speed Mode Indicator	Indicates the current speed mode selected. 1=Low Speed; 2=Medium Speed; 3=High Speed
EvenTrim Icon	Lights up when the Angle Sensor System is activated.
Bluetooth Icon	Lights up when the tool is successfully connected via Bluetooth.
Error Icon	Lights up when a system malfunction is detected.

4 ASSEMBLY

⚠ WARNING: To avoid accidental starting that may cause serious personal injury, always remove the battery pack and make sure the motor has completely stopped before assembling or adjusting the tool.

⚠ WARNING: Do not alter the tool's accessories or parts, nor use or fabricate accessories not approved by MOVA. Unauthorized modifications or misuse may lead to serious injury.

⚠ WARNING: Wear protective gloves when handling the blade. It is extremely sharp and may cause injury.

⚠ WARNING: Do not assemble the tool if any parts are damaged or missing. Operating with damaged or missing parts may result in serious injury.

⚠ WARNING: Do not attempt to start the tool unless all components are securely installed.

4.1 Attaching / Removing the Tip Protector

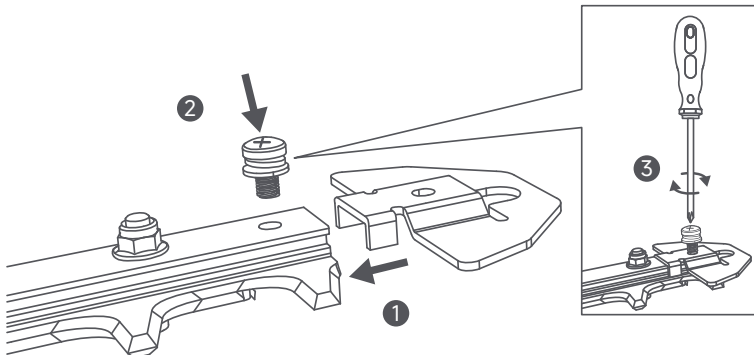
⚠ WARNING: Ensure the tip protector is properly installed before use.

⚠ WARNING: To prevent injury, always wear heavy-duty gloves or protectively wrap the cutting edges with thick cloth before handling the blades.

⚠ WARNING: Never attempt to adjust the tool without first ensuring the motor is turned off, the battery pack is removed, and the blade has completely stopped rotating.

1. Insert the tip protector into the end of the blade. Attach the screw (supplied) into the designated holes. Use the L-shaped screwdriver (supplied) to tighten it securely.

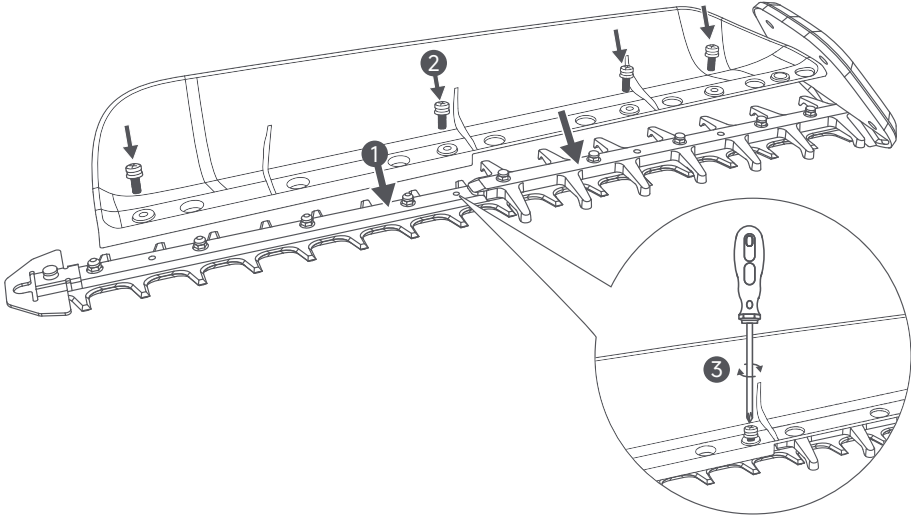
2. To remove the tip protector, simply use the L-shaped screwdriver (supplied) to unscrew the screw and keep it for future assembly.



4.2 Attaching / Removing the Sweeper

⚠ **WARNING:** To prevent injury, always wear heavy-duty gloves or protectively wrap the cutting edges with thick cloth before handling the blades.

⚠ **WARNING:** Never attempt to adjust the tool without first ensuring the motor is turned off, the battery pack is removed, and the blade has completely stopped rotating.



1. Position the sweeper until its four mounting holes align precisely with the corresponding holes on the trimmer blade.
2. Insert four screws (supplied) and hand-tighten them clockwise until snug.
3. Using the L-shaped screwdriver (supplied), fully tighten all screws. Verify the sweeper has zero movement when manually tested.
4. To remove, use the L-shaped screwdriver (supplied) to take off all four screws and save them for future assembly.

5 MOVHome App

The MOVHome app allows you to monitor your tool's status, view total operation time, access user guides, and diagnose potential issues.

5.1 Connecting to the MOVHome App


1. Scan the QR code below or search for "MOVHome" in the App Store or Google Play. Install the app, create an account, and log in.





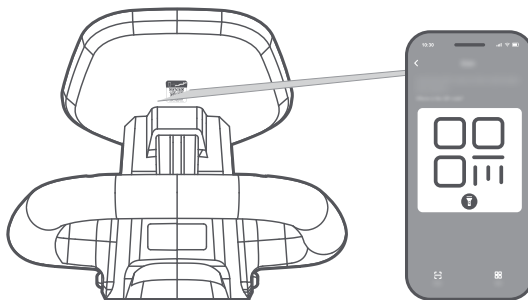
2. Open the MOVHome app and enable Bluetooth function on your mobile device.


NOTE: Please make sure that both the tool and your mobile device are within range of the same Wi-Fi network, and your mobile device is within 10 m (33 ft) of the tool.

3. Follow the instructions in **Section 6.1** to properly and securely install the battery pack into the tool, activating the tool's display screen.

4. Press and hold the  button on battery pack for 4 seconds to enter Bluetooth pairing mode. Then, pair the tool with your mobile device using one of the following two methods:

- **Scan QR code:** Go to  **Device** >  **Scan to Connect**, then scan the code on the tool as shown below.






- **Add Manually:** Go to  **Device** > **+** **Add**, then select your tool model.

5. Follow the in-app instructions to complete the connection. The Bluetooth Icon on the screen lights up when successfully paired.

5.2 Unbinding

The tool is automatically bound to the MOVAhome account once pairing is successful. Each tool can only be bound to one account at a time.

To pair the tool with a new account, you need to unbind it first:


1. Open the MOVAhome app. Go to  **Device**.
2. If you have multiple tools bound to your MOVAhome account, swipe left or right to access the page of the tool you want to edit.
3. Tap  next to the tool's name.
4. Select  **Delete**.

NOTE: Unbinding will permanently erase all user data associated with the tool from the cloud.

5.3 Sharing Your Tool


1. Tap  next to the tool's name.
2. Select  **Device Sharing**.

5.4 Logging out / Deleting Account

1. Go to  **Me** > **Settings** > **General** > **Account**
2. Select **Log Out** or **Delete Account**.

6 Operation

6.1 Operation Safety Instructions

 **WARNING:** If the blade contacts any electrical line, **DO NOT TOUCH THE BLADE** – it may become energized, causing electrocution. Keep holding the insulated handle – maintain control without touching metal parts. Do not attempt to move or ground the tool, immediately call qualified personnel to de-energize the circuit. Only trained personnel should dislodge the blade. **Failure to comply may result in fatal electrocution.**

- Before each use, inspect the hedges or bushes for foreign objects, e.g. wire fences and hidden wiring.
- Never use the trimmer on ladders or any other unstable support.
- Before operating the trimmer, make sure the locking device of any moving elements (e.g. pivoting element) are in the locked position.
- Before each use, inspect the tool thoroughly. Check for any signs of damage, loose fasteners, or improper assembly. Do not operate if parts are damaged or missing.
- Always use eye protection, a dust mask, non-slip safety footwear, and hearing protection as required. Appropriate personal protective equipment reduces the risk of injury from flying debris, noise, or slipping.

- Use only attachments and accessories recommended by MOVA. Unauthorized use can result in serious personal injury.
- Never clear debris or hold material during blade movement, verify complete blade stop and battery pack removal before clearing jams, and avoid contacting exposed blades when handling the unit to prevent amputation or death.
- Objects may be struck by the blade during use. Carefully check, examine, and clear all objects before each use.
- When the trimmer strikes a foreign object, immediately stop the motor and remove the battery pack. Once the blade has stopped, inspect the trimmer for any damage. Repair any damage before operating the trimmer again.
- Never use the trimmer unless all accessories are properly installed and fully operational.
- Inspect the blades regularly and do not operate the trimmer with worn or damaged blades.
- Never operate a trimmer that is damaged or has been modified. Failing to do so could result in severe personal injury.
- If the trimmer starts to vibrate abnormally or intensely, immediately shut it down and disconnect the battery pack. Such vibration typically indicates a problem.
- Caution with each step you take. Slipping or falling could result in significant injuries. Should you sense that you're about to lose your balance, promptly let go of the switch lever.
- Exercise caution for holes, ruts, stones, hidden objects, or uneven surfaces that might lead to slip or trip.

6.2 Attaching / Removing the Battery Pack

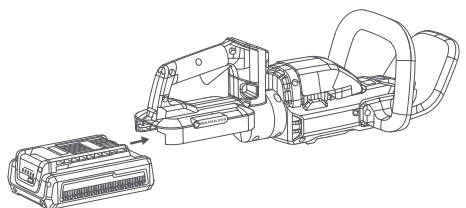
⚠ WARNING: Use only the battery packs specified in **Section 3.2**. Use of any other battery packs may create a risk of injury and fire. Fully charge the battery pack before first use.

⚠ WARNING: Do not use a damaged or modified battery pack. Damaged batteries can behave unpredictably and may cause fire, explosion, or injury. Do not use any battery pack that appears cracked, deformed, or otherwise compromised.

NOTE: Fully charge the battery pack before the first use.

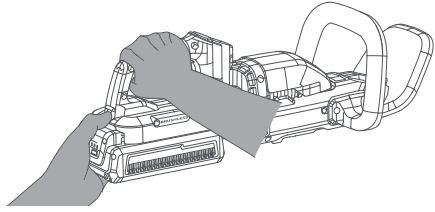
To attach

1. Align the ribs on the battery pack with the mounting slots in the tool.
2. Slide the battery pack in until it clicks into place.



To remove

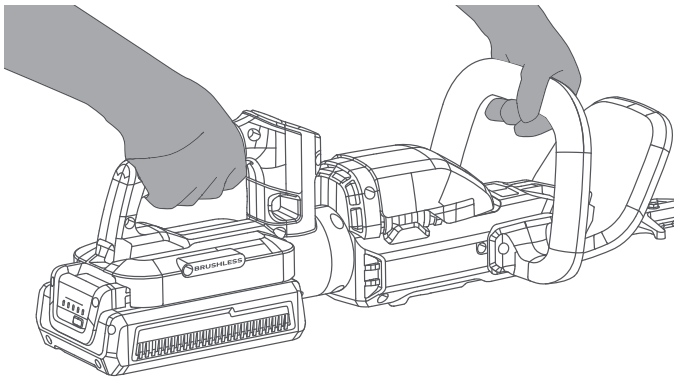
1. Press the battery release button with your thumb to release the battery pack from the latch.
2. Pull the battery pack straight out of the tool.



6.3 Adjusting the Trimmer Handle

Hold the Hedge Trimmer

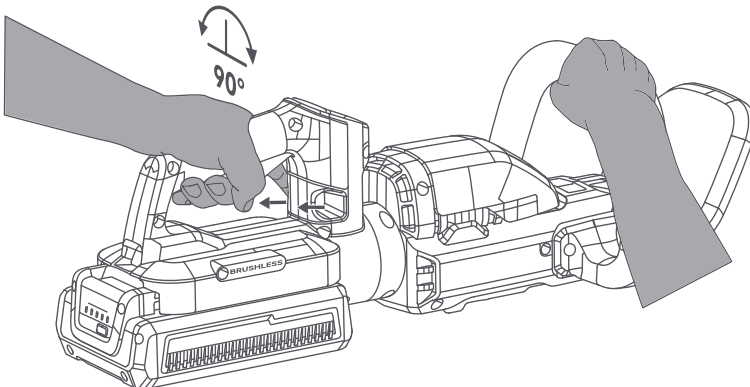
⚠ WARNING: Always grip both front and rear handles during use while keeping hands ≥ 15 cm from blades.



Adjust the handle

The trimmer can be operated at any of the three operating positions.

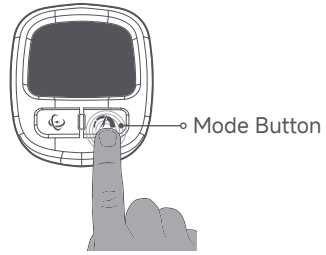
1. Hook one of your fingers into the groove of the handle release latch and pull back. While maintaining the pull, rotate the handle to one of the three operating positions.
2. Feel for a "click" to confirm it's securely locked in place.



6.4 Adjusting Blade Speed

The tool offers three speed settings (1-3). Press the mode button to cycle sequentially: 1 → 2 → 3 → 1.

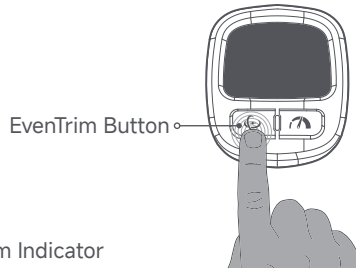
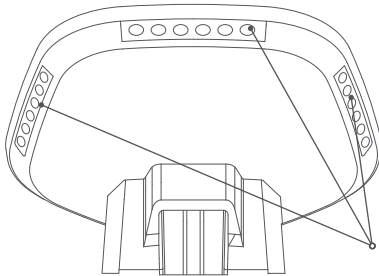
NOTE: This tool features a memory function. When powered on, it automatically resumes the blade speed used during the last operation.



6.5 Starting / Stopping the Angle Sensor System

The Angle Sensor System activates automatically in all three operating positions when the battery pack is connected. The six EvenTrim indicator lights provide real-time visual feedback to assist in maintaining a level cutting alignment.

To disable the system, press the EvenTrim button.



	Light Off	LED					
		1	2	3	4	5	6
	Green Light On						
	Red Light On						
0-5° Deviation		●	●	●	●	●	●
Left Tilt	5-10° deviation	○	○	○	●	○	○
	10-15° deviation	○	○	○	●	●	○
	>15° deviation	○	○	○	●	●	●
Right Tilt	5-10° deviation	○	○	●	○	○	○
	10-15° deviation	○	●	●	○	○	○
	>15° deviation	●	●	●	○	○	○

6.6 Starting / Stopping the Hedge Trimmer

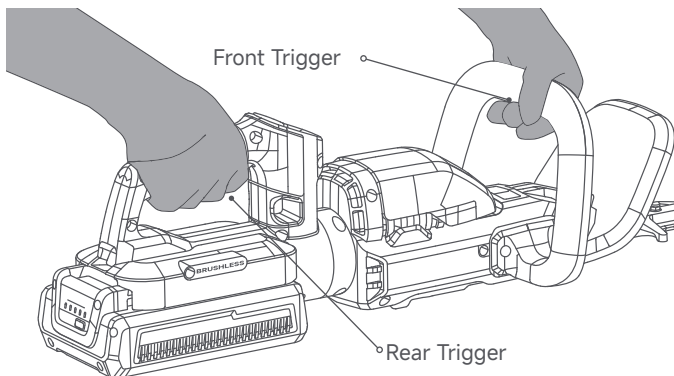
Before starting the trimmer:

- Ensure the blade does not touch the ground or any other objects before and during operation.
- Maintain a firm, balanced footing with your feet shoulder-width apart for stability.
- Stand upright and keep hands, feet, and all body parts clear of the blade at all times.
- Hold the trimmer firmly with both hands—one hand on the front handle and the other on the rear handle.

To start the Trimmer:

- Press and hold the rear trigger with one hand.
- While holding the rear trigger, squeeze the front trigger to start the hedge trimmer.

Note: The trimmer will only start if both triggers are fully engaged.



To stop the Trimmer:

After completing cutting, move the hedge trimmer away from the work zone and release either front trigger or rear trigger to stop operation.

Operation Tips

- Avoid removing excessive material in a single trimming pass. Cutting too much at once can cause the blades to bind and slow down, which reduces cutting efficiency.
- Never force the hedge trimmer through dense or heavy shrubbery. Forcing the tool risks blade binding and deceleration.
- If the blade slow down during operation, immediately reduce your cutting pace. Slower cutting prevents blade strain and maintains efficiency.
- For trimming new growth, use a wide, sweeping motion. This

technique guides stems directly into the blade for clean cuts.

- When cutting older growth with thicker stems, use a sawing movement. The back-and-forth action improves cutting effectiveness on mature foliage.
- Only cut stems or twigs with a diameter less than 19 mm. Exceeding this thickness risks damaging the trimmer.

Battery Temperature Protection

The battery pack automatically suspends operation when temperatures exceed the safe operating temperature range of 3°C (37°F) to 65°C (149°F). Normal operation will automatically resume when the battery pack temperature returns within this range.

7 Maintenance

⚠ WARNING: Any maintenance must only be done after stopping the motor, removing the battery pack, and make sure the blade has come to a complete stop.

⚠ WARNING: Ensure hand protection during maintenance by wearing heavy-duty gloves.

⚠ WARNING: Have your power tool serviced by qualified personnel using only identical replacement parts. Improper repairs may result in serious hazards.

7.1 Blades Care

⚠ WARNING: Wear protective glasses with side shields when performing any maintenance on the blades.

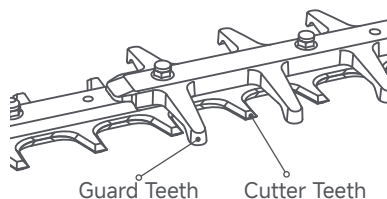
⚠ WARNING: Regularly inspect the blades for wear or damage. Worn or damaged blades may break, posing a serious risk of injury.

⚠ WARNING: Even though the power source is switched off, the blades can still be moved.

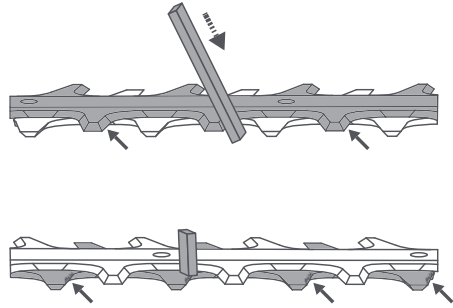
Sharpening the Blades

Always keep the blades sharp for better cutting performance. Using a dull or damaged blade may cause strain, poor cuts, and increase wear, risking loss of control and potential injury or property damage.

1. Turn the trimmer on/off quickly until the blades are slightly misaligned. This ensures the file fits between the cutter teeth and guard teeth without obstruction.



1. Turn off the trimmer and remove the battery pack. Wait for the blade to a complete stop.
2. Wipe away sticky residue, dirt, dust, or oil using a dry, clean cloth.
4. Using smooth, consistent strokes that align with the sharpening angle, file each cutting edge of the upper blade toward the sharpened side. Employ a whetstone to remove any burrs from the cutting edges, taking care to minimize material removal.
5. Repeat the sharpening process for any teeth that remain dull or obstructed until all cutting edges are sharp.



7.2 Cleaning

⚠ WARNING: Remove the battery pack from the hedge trimmer before carrying out any cleaning work.

⚠ CAUTION: Do not use gasoline, benzine, thinner, alcohol, or similar solvents. These chemicals may cause discoloration, deformation, or cracking.

⚠ CAUTION: Do not expose the hedge trimmer to water streams. Contact with water can damage internal electronics and components.

1. Clean all air intakes and the blade using a soft brush.
2. For stubborn residue like pitch, apply resin solvent to the blades. Briefly activate the motor to spread the solvent evenly.
3. Wipe the surface with a dry cloth.

7.3 Lubrication

⚠ WARNING: Remove the battery pack from the hedge trimmer before lubricating. Never apply oil while the tool is operating.

⚠ WARNING: Always wear heavy-duty, non-slip protective gloves when handling the blade assembly. Never place fingers between blades or in any position where they could be pinched, cut, or injured.

For best operation and longer blade life, lubricate the hedge trimmer blades with light-weight machine oil before and after each use .

1. Remove the battery pack from the hedge trimmer.
2. Place the hedge trimmer on a flat, stable surface.
3. Apply a thin layer of light machine oil along the cutting edge of the upper blades.

NOTICE: If the upper and lower blades are fully aligned, briefly start and stop the trimmer to misalign them before oiling.

7.4 Transporting & Storing

The trimmer's hook hole in the bottom allows for secure wall mounting on nails or screws, ensuring convenient storage.



- Always remove the battery pack before storing or transporting the hedge trimmer.
- Always attach the blade sheath over the blade before storing or transporting the hedge trimmer.
- Thoroughly clean the trimmer to remove sap, debris, and moisture before storing.
- Store the trimmer indoors and in a dry and cool place.
- Keep the trimmer in a secure location away from children, pets, and anyone who should not have access to it.
- Do not cover the trimmer with heavy-duty plastic sheets as they can trap moisture, and cause rust and corrosion.

8 Disposal


To ensure environmental safety and compliance with legal regulations, please do not dispose of the hedge trimmer and its accessories with regular household waste. Refer to your local laws for proper machine disposal or return it to a designated recycling center.

9 Troubleshooting

ISSUE	CAUSE / ERROR CODE	SOLUTION
The hedge trimmer fails to start.	The battery pack is not attached or is attached incorrectly to the tool.	Attach the battery pack securely to the tool.
	The battery pack is depleted.	Charge the battery pack.
	The battery pack is overheated. (Error code E01)	Allow the battery pack to cool below 65°C (149°F).
	The tool is overheated. (Error code E07)	Allow the tool to cool below 65°C (149°F).
	Battery pack malfunction. (Error code E11)	Contact MOVA Customer Service for help.
	Tool malfunction. (Error code E13/E16)	Contact MOVA Customer Service for help.
	The blades are jammed. (Error code E06)	Remove the battery pack from the hedge trimmer. Place the hedge trimmer on a flat, stable surface. After carefully removing the blockage, reinsert the battery pack and restart the tool.

The EvenTrim indicator lights fail to illuminate or respond.	The rear handle doesn't rotate to the operating position.	Rotate the handle to any of the three operating positions. Feel for a "click" to confirm it's securely locked in place. Refer to Section 6.2 .
	EvenTrim indicator malfunction.	Contact MOVA Customer Service for help.
The hedge trimmer vibrates excessively.	Blades are dry or corroded.	Lubricate the blades. Refer to Section 7.3 .
	Blades or blade support is bent.	Replace with a new blade or support . Contact MOVA service center for blade or blade replacement service.
	Blade teeth are bent or damaged.	Replace with a new blade. Contact MOVA service center for blade replacement service.
	Loose blade bolts.	Tighten the blade bolts. Use a 3mm hex wrench and turn the bolt clockwise to tighten.
Failure to connect to the APP.	Battery pack is out of Bluetooth range.	Keep the battery pack within 10 m from the mobile device. Insert the Bluetooth-paired battery pack into the tool, or insert the battery pack first and then connect via Bluetooth.
	If holding the  on the battery pack for 2 seconds (until the Bluetooth indicator light flashes blue) does not work, the battery pack or tool may already be paired with another account.	Press and hold the  for 4 seconds (until the Bluetooth indicator light flashes rapidly in blue) to re-enter pairing mode.

10 Specifications

Model	GH625 / GH625X*
Product Name	Hedge Trimmer
Brand	MOVA
Voltage	60 V 
Cutting Length	65cm
Maximum Cutting Diameter	34 mm
No-Load Speed	1: 0-2200 / min
	2: 0-3200 / min
	3: 0-4200 / min
Weight (without battery pack, sweeper, sheath)	3.8 kg
Dimensions (without sweeper)	1170 × 230 × 190 mm
Recommended Operating Temperature	0°C-40°C (32°F-104°F)
Recommended Storage Temperature	-20°C-70°C (-4°F-158°F)
Measured Sound Power Level LwA	94.2 dB(A) K=2.78 dB(A)
Sound Pressure Level at Operator's Position LpA	79.6 dB(A) K=3 dB(A)
Guaranteed Sound Power Level LwA (measured according to 2000/14/EC)	95 dB(A)
Valuation of Vibration (front and rear handle)	Front handle: 4.16 m/s ² K= 1.5 m/s ² Rear handle: 7.28 m/s ² K= 1.5 m/s ²

*X=0-999, A-Z may vary depending on the sales region or package configuration, with no safety-related changes between these models.

NOTE: The declared noise emission value(s) and vibration total value(s) are measured in accordance with a standard test method, and may be used both for comparing tools and for making a preliminary assessment of exposure.

⚠ WARNING: The noise and vibration emissions during actual use of the power tool may differ from the declared value(s), depending on how the tool is used. To protect the operator, hearing protection and gloves should be worn under actual working conditions.

MOVA



**Join our official Facebook group
where you can discuss your questions with
other fellow users.**

Manufacturer: Lawnix Technology (Nanjing) Co., Ltd.

Address: Room 501-510, 5/F, Block E (Building 2), No.10 Mozhou East Road,

Jiangning Development Zone, Jiangning District, Nanjing, Jiangsu Province, P.R.China

Made in China