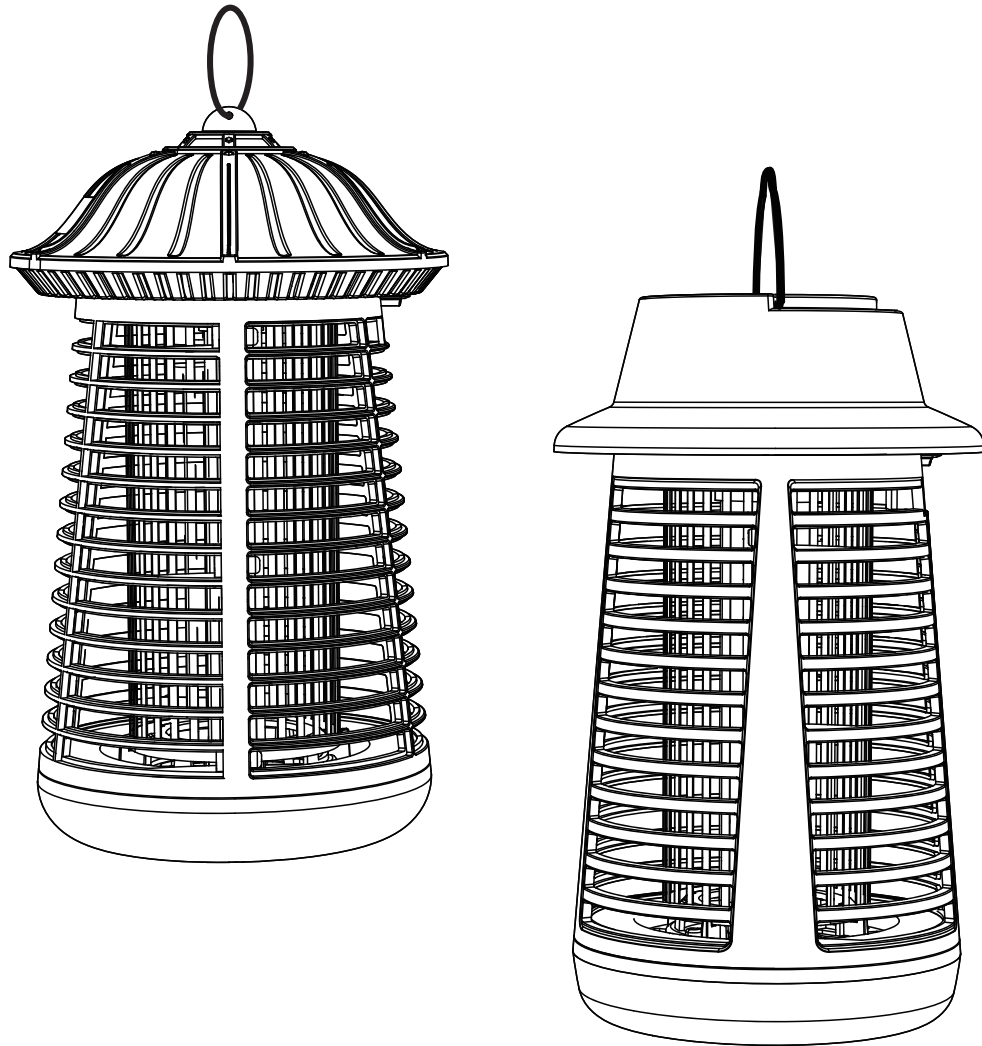


# HOOMESUN

# BUG ZAPPER USER MANUAL



## USING INSTRUCTION

### 1. Indoor

#### a. Applicable Scenarios

The product can be used in the bedroom, living room, hotel, restaurant, office, etc. The product has an energy-saving design and soft lighting, so it should not be used in high light conditions; otherwise, it will affect the destruction of mosquitoes.

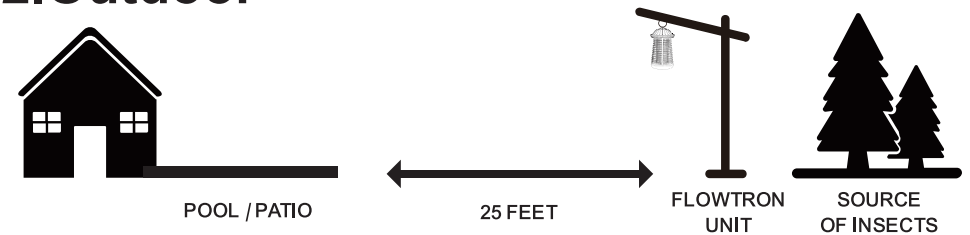
#### b. Usage

For example, keep the house lighting off and use device before sleeping, or turn off all strong lighting for 10-20 minutes, or keep the product in the dark place while working.

#### c. Hanging Height

Keep the product hanged at a height of 1.2 meters and 0.3 meters away from the wall.

### 2. Outdoor



#### a. Applicable Scenarios

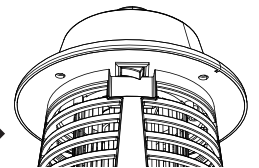
Place the unit 7.5 meters away from the area intended for human activity. Position the insect killer between the source of insects (woods, lowlands, etc.) and the area to be protected.

#### b. Hanging Height

Keep the product hanged at a height of 1.8 to 2.4 meters.

#### c. LED

ON/OFF switch for the LED white light on the bottom. →



## PRODUCT INFORMATION

<b>Model</b>	SU-026 / KN-06
<b>UVA Lamp Power</b>	15W
<b>Grid Voltage</b>	4200V
<b>LED Power</b>	9W

## Attention

The device is environmentally safe and hygienic, smoke-free and non-toxic. It does not include pesticides. The built-in lamp is harmless to people, pets or plants.

The highly efficient fitting tube emits special ultraviolet waves and attracts insects. Insects fly into ultraviolet light and get an electric shock when they come in contact with an electrified grid.

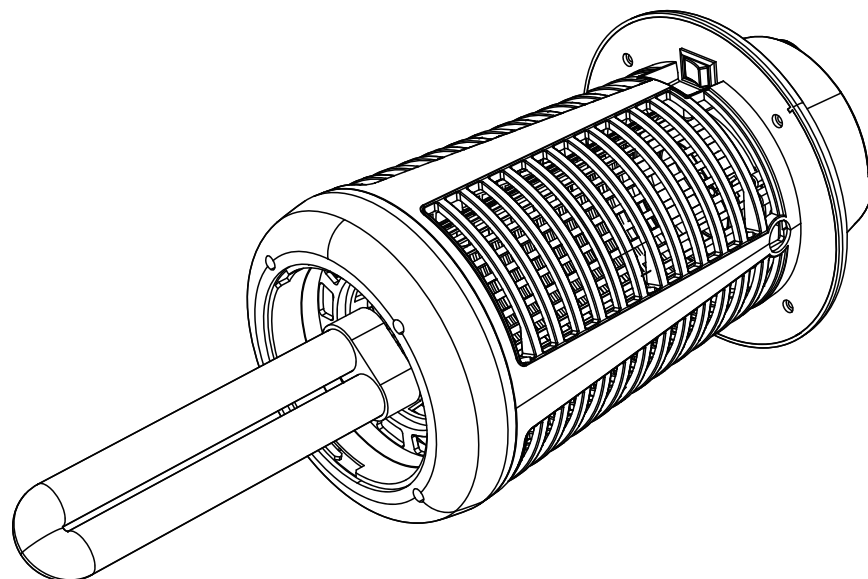
For optimal performance, please read this manual carefully before use.

1. Do not use in inflammable and/or explosive locales and alike.
2. Check the local voltage codes before installing.
3. Do not intend to touch internal high voltage grids because of electric shock danger. Never put metal objects inside the net during use.
4. Hang or place the appliance out of the reach of children.
5. Never remove any fixed part of the appliance to make internal adjustments to avoid electric shock.
6. Clean metal grid at frequent intervals. Unplug the appliance before cleaning. Use suitable brush to clean the high voltage grids and throw away the insects debris from the collection tray every week. Do not wash with water.
7. Do not place in the rain.
8. Avoid rough shaking that could damage the tube or its components.

## BULB REPLACEMENT

1. Disconnect the unit from the electric source.
2. Open the base by twisting the bottom tray in accordance with the arrows.
3. Use a screwdriver to remove the screw that holds the plastic gate.
4. Pull the bulb out of its socket.
5. Insert the replacement bulb into the socket.
6. Mount all parts back.

Notice: Ultraviolet or "black light" is invisible to the eye, and its ability to attract insects diminishes over time. Therefore, although the bulb appears to be functioning, it should be replaced every season to maintain optimal "black light" efficiency.



## FAQ

<b>Problem</b>	The light is off and there is no high voltage on the grid.	The light is on, but there is no high voltage on the grid.	Intermittent or continuous parking between grid rods.	The light is on, but no longer attracts insects.
<b>Possible Cause</b>	<ol style="list-style-type: none"> <li>1. There is no electricity.</li> <li>2. The lamp is not installed correctly.</li> <li>3. The burnt out bulb.</li> <li>4. The starter is faulty.</li> </ol>	<ol style="list-style-type: none"> <li>1. Grid short circuit.</li> <li>2. The transformer is defective.</li> </ol>	<ol style="list-style-type: none"> <li>1. The grid is clogged with foreign material.</li> </ol>	<ol style="list-style-type: none"> <li>1. The invisible power of black light is reduced due to the age of the lamp.</li> </ol>
<b>Correction</b>	<ol style="list-style-type: none"> <li>1. Check fuse of circuit breaker. Check extension cord.</li> <li>2. Check all sockets for proper fit and alignment.</li> <li>3. Replace the light bulb.</li> <li>4. Starter replacement by manufacturer is required.</li> </ol>	<ol style="list-style-type: none"> <li>1. Examine the grid and clean it by using an air blower.</li> <li>2. Replacement by manufacturer is required.</li> </ol>	<ol style="list-style-type: none"> <li>1. Clean the grid by using an air blower.</li> </ol>	<ol style="list-style-type: none"> <li>1. Replace the bulb refer to bulb replacement section in the user manual.</li> </ol>

## GUARANTEE

We appreciate your feedback and will do our best to guarantee your satisfaction. This warranty does not cover normal use wear of product and damage caused by incorrect operation of buyers.

Warranty Policy: One-year warranty, please email us with your order number or contact us. Your inquiries will be taken care of as soon as possible.

