

Blueair

Installation & Operation Manual Back bar & Direct Draw Beer Dispenser (R290)

Please read this manual completely before installing or operating this unit!



**BBB23-1B/1S-HC
BBB59-2B/2S-HC
BBB69-3B/3S-HC
BBB90-4B/4S-HC**



**BBB23-1BG/1SG-HC
BBB59-2BG/2SG-HC
BBB69-3BG/3SG-HC
BBB90-4BG/4SG-HC**



**BDD23-1B/1S-HC
BDD59-2B/2S-HC
BDD69-3B/3S-HC
BDD90-4B/4S-HC**

Blueair FSE reserves the right to make product modification at any time.
Specifications and Designs are subject to change without notice.

IMPORTANT SAFETY INSTRUCTION (SAVE THESE INSTRUCTIONS)

Visit our website at www.blueairfse.com

Contents

◆ Specifications	3
◆ Installation	5
◆ Maintenance & Cleaning	6
◆ Operation & Caution “Important	6
◆ Air Hose & Tower Installation Schematic Diagram	7
◆ Beer Line & CO ₂ Line Installation Schematic Diagram	8
◆ Troubleshooting	9

Service Contact

*Blueair FSE has a Nationwide Service Network
To provide timely service to our customer's needs.
Please call or fax us at the following numbers.*

Blueair FSE Nationwide Service Network

Toll Free, 1-866-677-8500
TEL, (310) 808-0102
FAX, (310) 808-0242

Visit our website at www.blueairfse.com

Specifications

Product		Back bar Refrigeration			
Model (Solid Door)		BBB23-1B /1S-HC	BBB59-2B /2S-HC	BBB69-3B /3S-HC	BBB90-4B /4S-HC
Model (Glass Door)		BBB23-1BG /1SG-HC	BBB59-2GB /2SG-HC	BBB69-3GB /3SG-HC	FBB90-4GB /4SG-HC
Capacity (cu.ft)		7.9	19.4	23.4	31.6
Exterior Dimensions	(W)	23 3/8"	59"	69 1/8"	90 3/8"
	(D)	31 1/8 "	27 1/8 "		
	(H)*	39 1/8"	37"		
Doors		1	2	2	3
Shelves		2	4	4	6
Condensing Unit Size		1/4 HP	3/8 HP	3/8HP	3/8HP
Electrical Characteristics		115V/60Hz			
NEMA Plug Configuration		NEMA 5-15P			
Amps		3.0	3.5	3.5	3.5
Range of Temperature		+32° F to +41° F			
Refrigerant		R290			
12oz. Can Capacity		386	1,084	1,299	1,786
Net Weight (lbs) - Solid		128	220	251	309
Net Weight (lbs) - Glass		132	236	262	331

- ◆ BDD23-1B/1S-HC exterior height is include 4" for castor height.
- ◆ Specifications and Designs are subject to change without notice.
- ◆ The name plate (including Serial No.) is located on the upper left side of the cabinet interior.



CAUTION – Risk of Fire or Explosion. Flammable Refrigerant Used. Consult instruction manual/repair manual/owner’s guide before attempting to install or service this product. Dispose of properly in accordance with federal or local regulations.



CAUTION – Risk of fire or explosion due to flammable refrigerant used. Follow handling instructions carefully in compliance with U.S. and Canadian government.

Specifications

PRODUCT		Direct Darw Beer Dispenser Refrigeration			
Model (Solid Door)		BDD23-1B /1S-HC	BDD59-2B /2S-HC	BDD69-3B /3S-HC	BDD90-4B /4S-HC
Capacity (cu.ft)		7.9	19.4	23.4	31.6
Exterior Dimensions	(W)	23 3/8"	59"	69 1/8"	90 3/8"
	(D)	31 1/8 "	27 1/8 "		
	(H)*	39 1/8"	37"		
Doors		1	2	2	3
Keg Capacity		1	2 (+ Slim 1)	3	4 (+ Slim 1)
Condensing Unit Size		1/4 HP	3/8 HP	3/8HP	3/8HP
Electrical Characteristics		115V/60Hz			
NEMA Plug Configuration		NEMA 5-15P			
Amps		3.0	3.5	3.5	3.5
Range of Temperature		+32° F to +41° F			
Refrigerant		R290			
Net Weight (lbs)		126	216	240	298

- ◆ BDD23-1B/1S-HC exterior height is include 4" for castor height.
- ◆ Specifications and Designs are subject to change without notice.
- ◆ The name plate (including Serial No.) is located on the upper left side of the cabinet interior.



CAUTION – Risk of Fire or Explosion. Flammable Refrigerant Used. Consult instruction manual/repair manual/owner’s guide before attempting to install or service this product. Dispose of properly in accordance with federal or local regulations.



CAUTION – Risk of fire or explosion due to flammable refrigerant used. Follow handling instructions carefully in compliance with U.S. and Canadian government.

Installation

1. INDOOR USE ONLY

- 1) This unit is intended for indoor use only.

2. FOR LOCATION

- 1) Be sure that the location is strong enough to support the total weights of unit and the content.
- 2) Keep the unit away from sunlight and other heat generating equipment.
- 3) The minimum clearance between the back of the unit and wall should be 7 inches at least

3. INSTALLING CASTERS

- 1) Be sure that casters with brake should be installed in front.

4. LEVELING

- 1) The unit should be leveled to provide adequate drainage.

5. ELECTRICAL CONNECTION

- 1) The unit should be plugged into a 115V/60Hz, grounded wall receptacle to prevent electrical shock and fire hazards.
- 2) Do not plug other electrical units into same wall receptacle this unit is plugged into.
- 3) Do not use an extension cord.
- 4) Compressor warranties are void if the compressor bums out due to low voltage.

6. INSTALLING SHELF

- 1) Install shelves using shelf-clips provided in accessory.

Maintenance & Cleaning

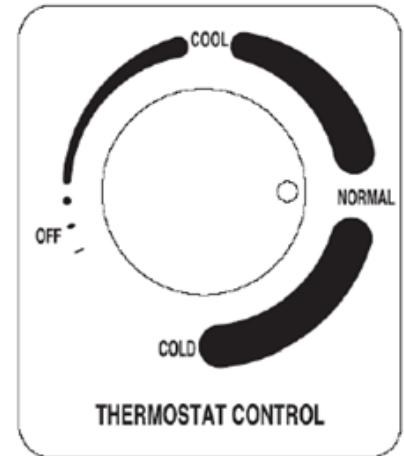
1. To maintain proper refrigeration performance, the condenser fins should be checked monthly and clean with a soft brush or vacuum cleaner as needed.
2. Wait at least 6 minutes after unplugging the unit before plugging in.
3. The interior and exterior of the unit can be cleaned using plugging in water.
 - 1) Do not use an abrasive cleaners to avoid scratches on the surfaces.
4. The door gasket should be cleaned to avoid maintain proper sealing.



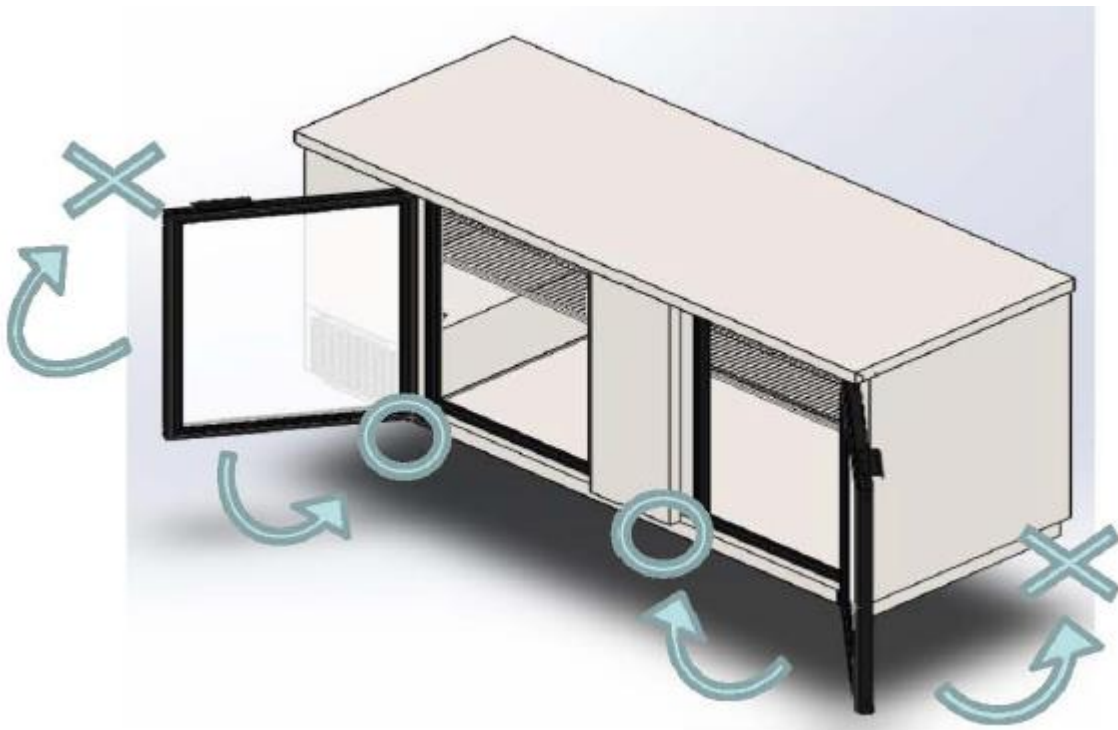
DANGER – Risk of fire or explosion. Flammable refrigerant used. To be repaired only by trained service personnel. Do not use mechanical devices to defrost refrigerator. Do not puncture refrigerant tubing. Risk of Fire or Explosion due to puncture of refrigerant tubing; Follow handling instructions carefully.

Operation

1. The temperature controller (thermostat) is located on the upper left of the back side of the cabinet interior.
2. The controller has been preset "NORMAL" position at the factory.
3. Set the control knob toward "COOL" for higher temperature and "COLD" for lower temperature.
4. The thermostat controls compressor's "ON/OFF" by sensing inside temperatures of cabinet.
5. The unit is equipped with an off-cycle defrost.

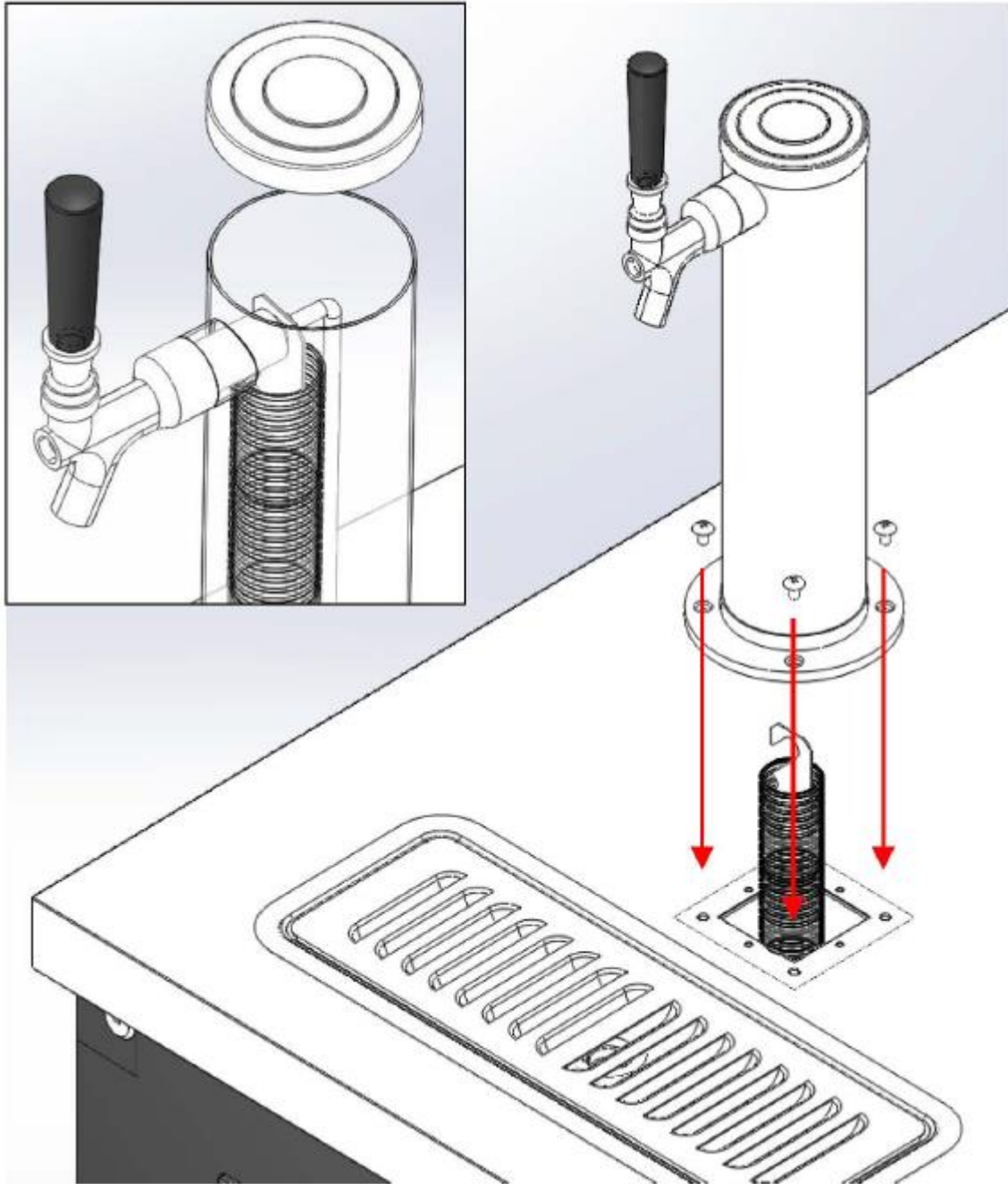


Caution "Important"

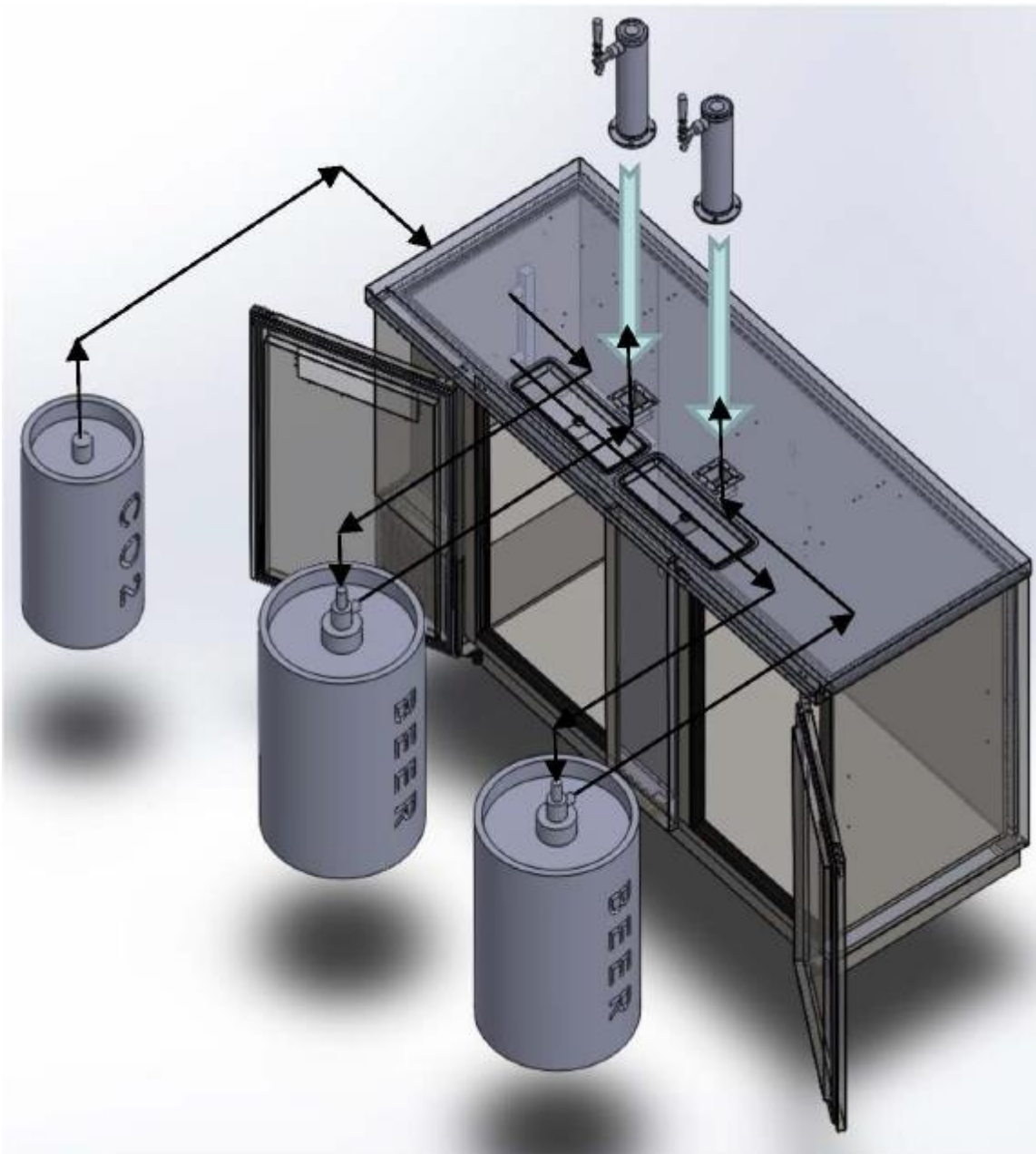


- ※ Excessively opening the door will cause the breakdown.
- ※ Handle with care as shutting the door.

Air Hose & Tower Installation Schematic Diagram



Beer Line & CO₂ Line Installation Schematic Diagram



※ Assemble Beer Line & CO₂ Line as above drawing.

Troubleshooting

Problem	Possible Solutions
Compressor Failure to Start	<ul style="list-style-type: none"> • Check the power cord and make sure it is plugged in. • Check the temperature controller. If it is in the "OFF" position, turn it clockwise to set a desired temperature.
Performance Issue	<ul style="list-style-type: none"> • Move the unit from direct sunlight. • Move the unit away from heat generating devices. • Install the unit in a well ventilated area, with at least 7 Inches of clearance on all sides. • Clean the condenser if heavy dust is collected. • Clear contents from blocking the air duct in the interior. • Check the temperature controller for incorrect setting. • Check the refrigerant level, it may need to be charged. • Check the door and be sure it is completely closed.
Unusual Noise	<ul style="list-style-type: none"> • Check fan blades to see if they are contacting anything. • Maintain 7 inches of clearance from the wall. • Check for loose part or mounting. • Keep the tubing free from any contact to avoid rattle.
Condensation on Cabinet exterior and/or floor	<ul style="list-style-type: none"> • Reduce humidity where the unit is installed. • Repair or replace the gasket on the door. • Check the drain line to make sure it is not disconnected inside the cabinet and it drains into the drain pan in the compressor area.

※ The following is not an indication of problem or malfunction.

A water-flowing sound can be heard when the unit in operating.

This is the sound of refrigerant flowing.



DANGER – Risk of fire or explosion. Flammable refrigerant used. To be repaired only by trained service personnel. Do not use mechanical devices to defrost refrigerator.

Do not puncture refrigerant tubing. Risk of Fire or Explosion due to puncture of refrigerant tubing; Follow handling instructions carefully.

MEMO

Warranty Registration Card

Blueair FSE, LLC
223 W. Rosecrans Ave, Gardena, CA 90248
Toll Free, 1-866-677-8500
TEL, (310) 808-0102, Fax, (310) 808-0242

Customer Name : _____	Business Name : _____
Telephone : () _____	Telephone : () _____
Address (Customer)	Address (Business or Installation Site)
Street : _____	Street : _____
City : _____ State : _____ Zip : _____	City : _____ State : _____ Zip : _____
Place of Purchase : _____	Date Purchased : _____ Date Installed : _____
Model Name: _____	Product Serial No. : _____

Extended Warranty Option

Additional 1 Year Parts & Labor extended Warranty available.

Please make check payable to GIO Refrigeration and Return with this registration card

Yes, I would like the extended warranty. / No, I would not like the extended warranty.

Signature of Business Owner: _____ Date: _____

※ The Warranty becomes void if the attached warranty card is not filled out and returned to Blueair within 12 days from the purchase date.

Cut along dotted line and mail it back to ; **Blueair Customer Service Dept. 223 W. Rosecrans Ave, Gardena, CA 90248**

※ The Warranty becomes void if the attached warranty card is not filled out and returned to Blueair FSE within 12 days from the purchase date.

Cut along dotted line and mail it back to ;

**Blueair FSE Customer Service Dept.
223 W. Rosecrans Ave, Gardena, CA 90248**



Blueair FSE, LLC

223 W. Rosecrans Ave. Gardena, CA 90248

Toll Free, 1-866-677-8500

TEL, (310) 808-0102

FAX, (310) 808-0242

Visit our website at www.blueairfse.com