

Patriot
LIGHTING®

2-LIGHT SEMI-FLUSHMOUNT

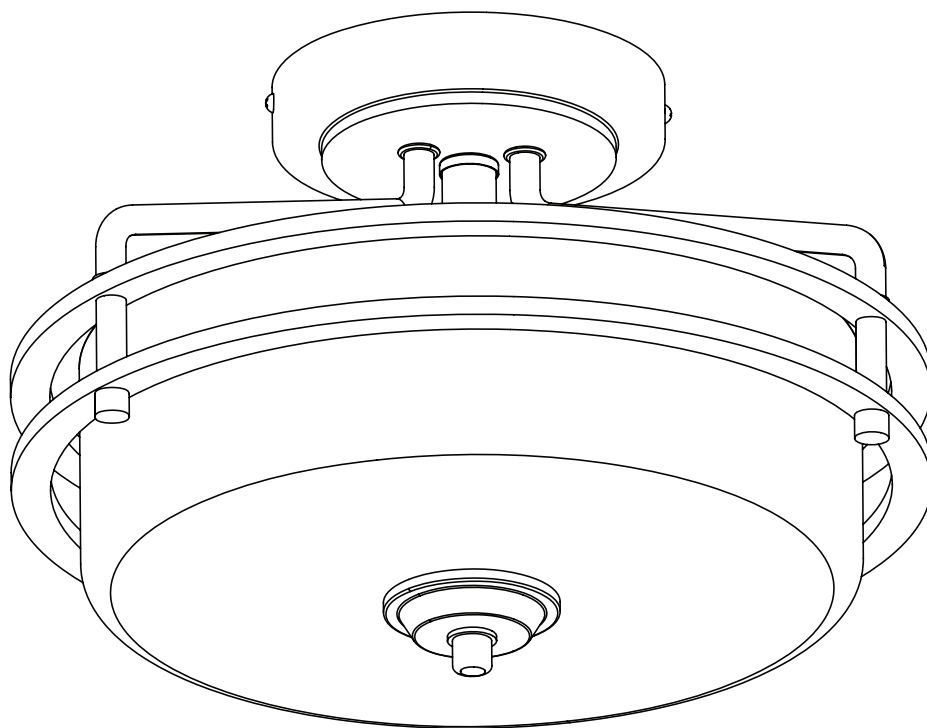
Owner's Manual

Model #20710

20731

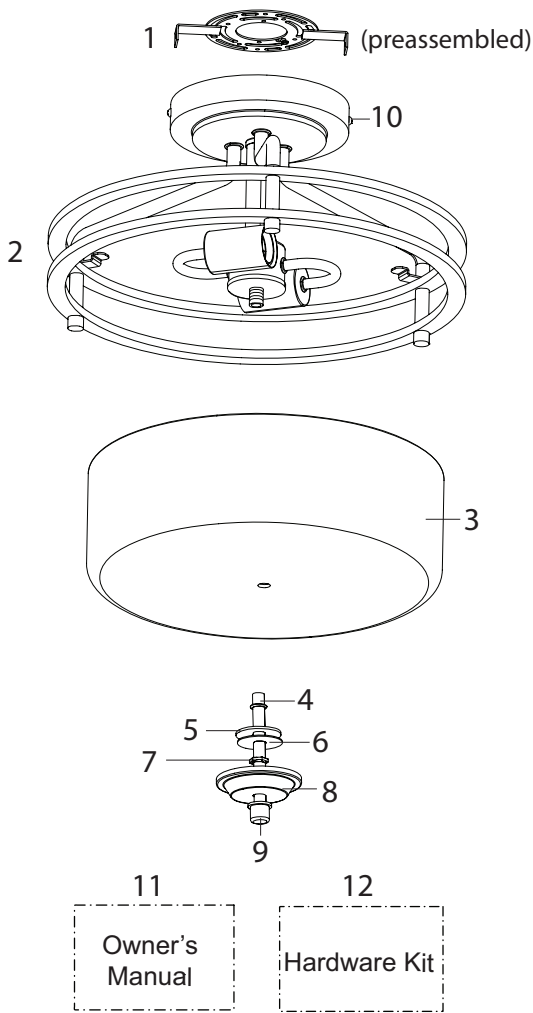
SKU #351-8391

351-8637



If a problem cannot be remedied or you are experiencing difficulty in installation,
please contact the Service Department: 1-877-459-3267, 8 a.m. - 5 p.m. Central Time.

PACKAGE CONTENTS



Unpack your fixture and check the contents. You should have the following items:

PACKAGE CONTENTS

- | | |
|---------------------|--------------------------|
| 1. Mounting Bracket | 7. Hex Nut |
| 2. Fixture | 8. Finial Cap |
| 3. Glass Bowl | 9. Finial |
| 4. Threaded Rod | 10. Mounting Screws (x2) |
| 5. Rubber Washer | 11. Owner's Manual |
| 6. Metal Washer | 12. Hardware Kit |

HARDWARE LIST

- AA. Wire connector (x3)
 RR. Outlet Box Screw (x2)

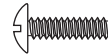
Note: Some of the hardware listed is pre-assembled to other parts. You will be instructed where to locate it.

HARDWARE CONTENTS

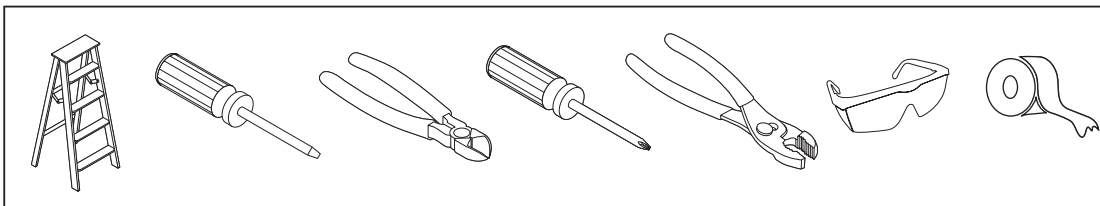
13



14



TOOLS REQUIRED (not included)



Tools required for assembly: Electrical tape, Phillips Screwdriver, Pliers, Safety Glasses, Step Ladder, Wire Cutters and Wire Strippers

Helpful Tools: AC Tester Light, Tape Measure, and Wiring Handbook

SAFETY INSTRUCTIONS

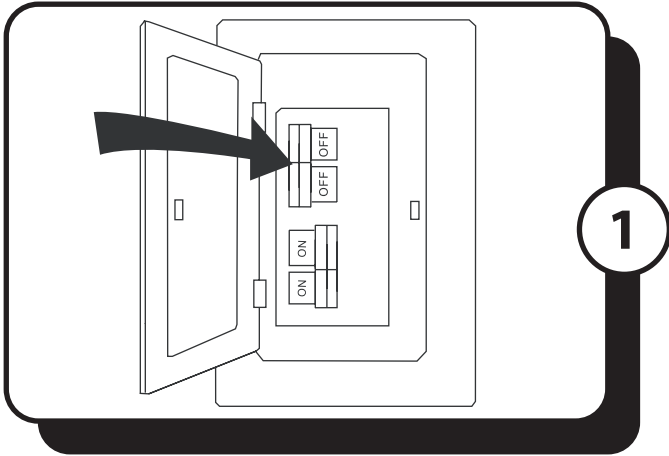
READ ALL SAFETY INFORMATION AND INSTALLATION INSTRUCTIONS BEFORE BEGINNING TO INSTALL THE LIGHT FIXTURE AND SAVE INSTRUCTIONS.

- This fixture is intended for indoor use only. Not suitable for damp or outdoor locations.
- The net weight of the light fixture is less than: 5.5 lb.

WARNING

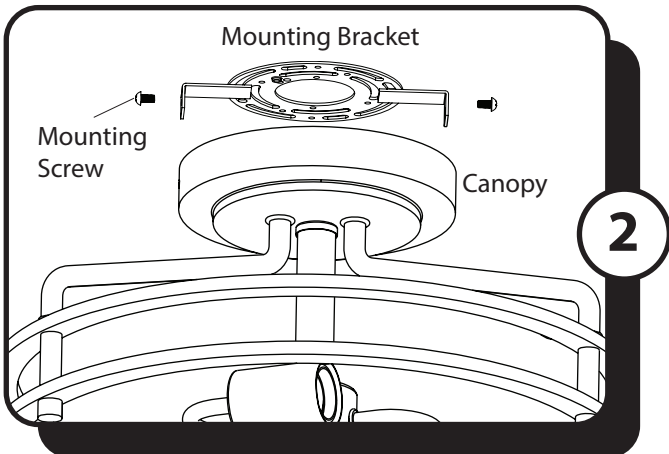
- To avoid risk of electric shock, be sure to shut off power at the main fuse or circuit breaker box before installing or servicing this fixture. Turning off the electrical power by using the light switch is not sufficient to prevent electrical shock.
- Installation must comply with the National Electrical Code, ANSI/NFPA 70-1999 and local codes. If you are unfamiliar with the methods of installing electrical wiring, seek the services of a qualified licensed electrician.
- To avoid personal injury, the use of gloves or protective clothing may be necessary when handling fixture parts with sharp edges.
- To reduce the risk of fire, electrical shock or personal injury, do not connect this fixture to a outlet box that is not properly grounded.
- To reduce the risk of fire, electrical shock, or personal injury, each wire connector used with this light fixture should accept only one 18-gauge wire from the light fixture and one 18-gauge wire from the outlet box.
- Ensure the light fixture is mounted to an outlet box with a ground wire and is secured to the building structure.
- Wire colors from outlet box may not be the same color used in this manual. When in doubt, consult a qualified licensed electrician to determine the proper wiring.

ASSEMBLY INSTRUCTIONS

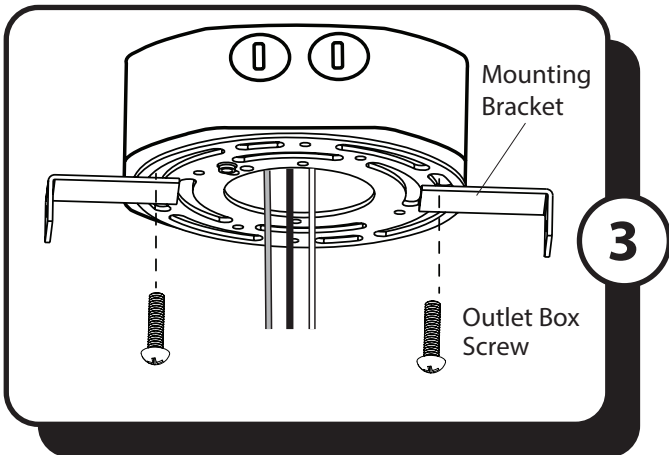


1. Turn OFF the electrical power at the main fuse or circuit breaker.

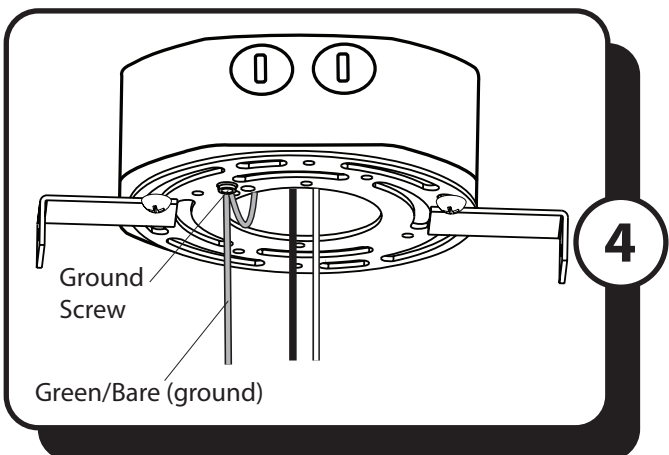
DANGER: Failure to disconnect the power supply prior to installation may result in serious injury or death.



2. Remove the two mounting screws from the sides of the canopy and remove the mounting bracket.

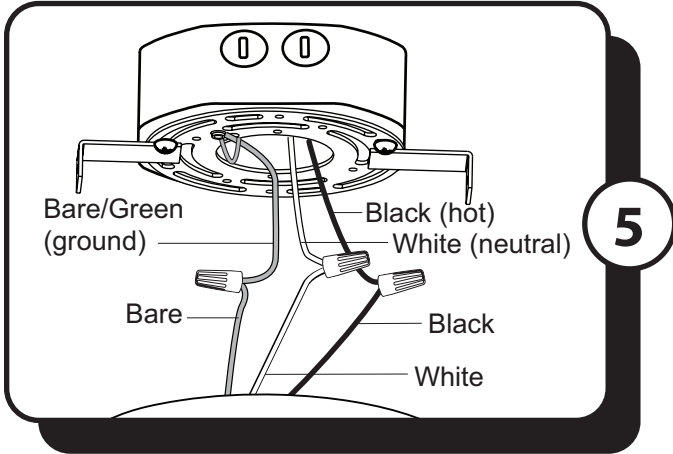


3. Attach the mounting bracket to the outlet box (not included) using the two outlet box screws from the hardware bag.



4. Loosen the ground screw preassembled to the mounting bracket. Wrap the Green/Bare (ground) supply wire around the shaft of the ground screw. Re-tighten the ground screw.

ASSEMBLY INSTRUCTIONS

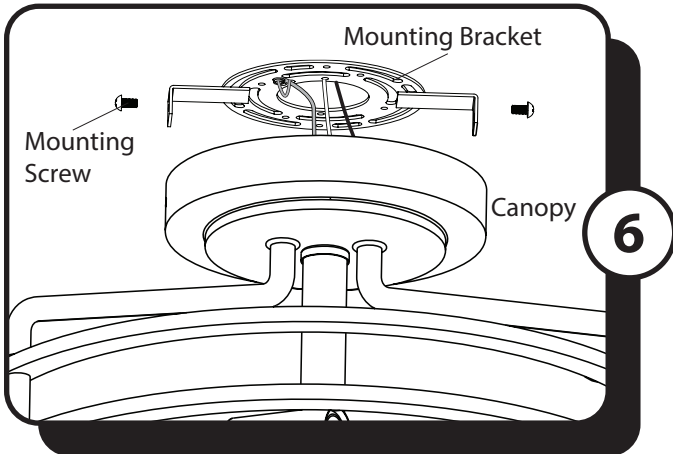


5. Connect supply and fixture wires according to the diagram and these steps:

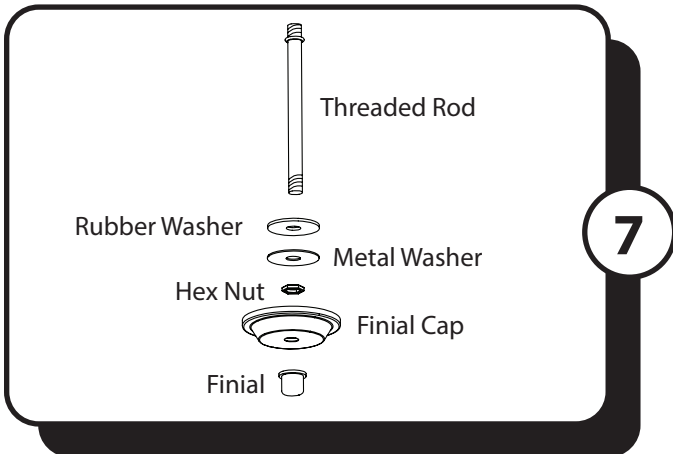
- Connect the Bare wire from the fixture to the Bare/Green (ground) supply wire.
- Connect the White wire from the fixture to the White (neutral) supply wire.
- Connect the Black wire from the fixture to the Black (hot) supply wire.

Secure all wiring connections together with wire connectors from hardware bag.

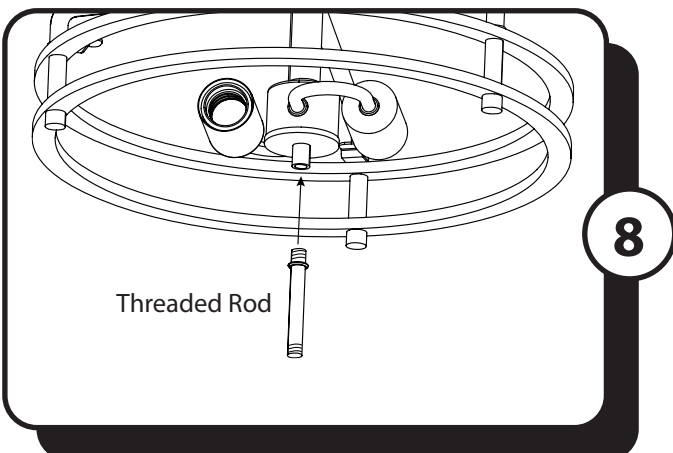
Note: If supply wire colors differ from these, contact a professional electrician to determine proper wiring.



6. Lift the canopy up to the mounting bracket. Align the holes in the canopy with the holes in the mounting bracket. Use the previously removed mounting screws to secure the canopy and fixture to the mounting bracket.

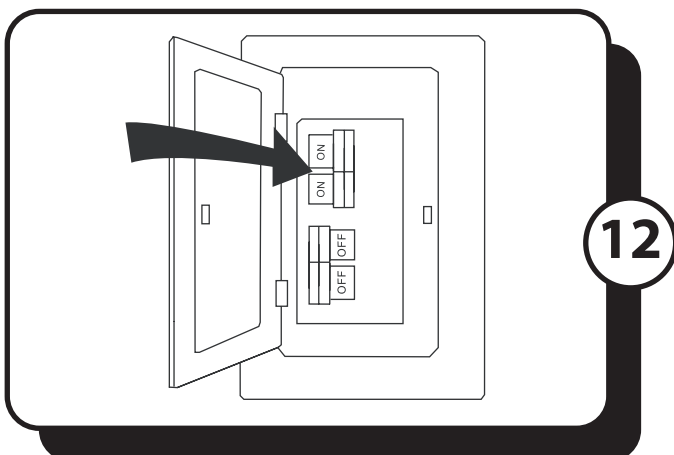
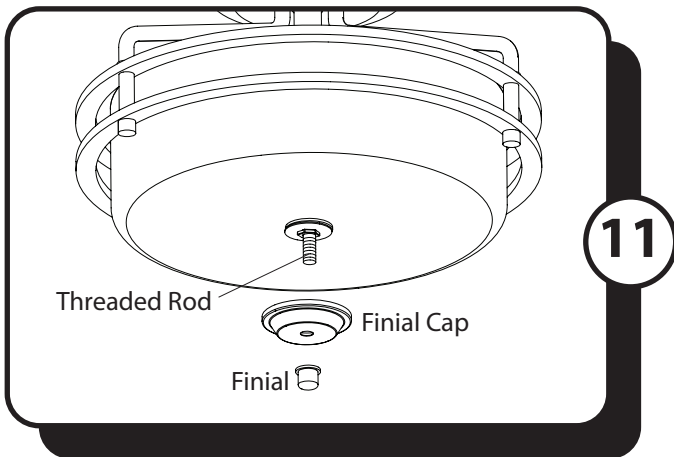
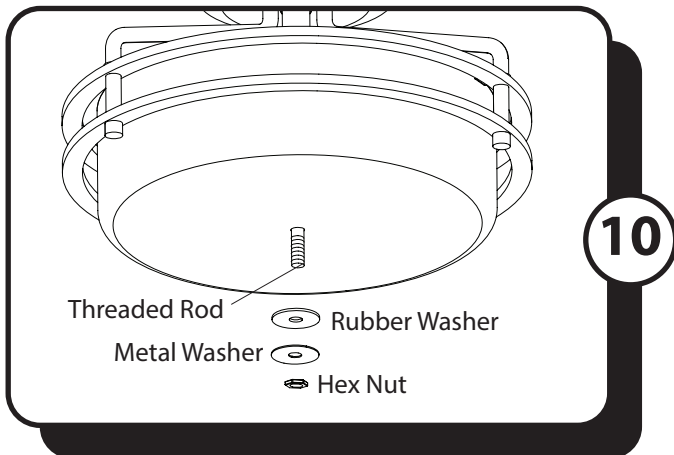
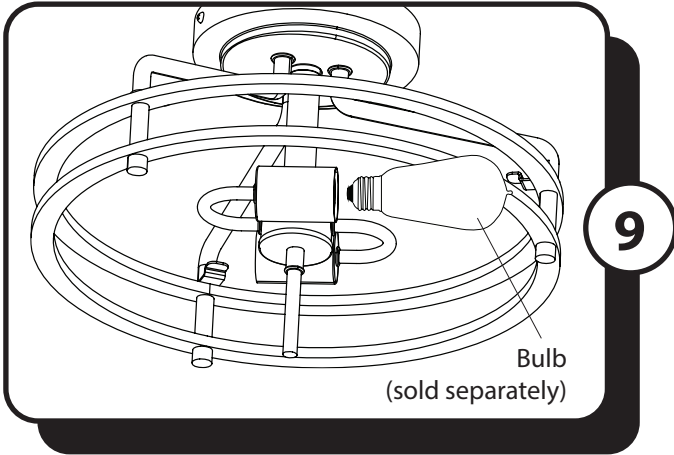


7. Remove the finial, finial cap, hex nut, metal washer, and rubber washer from the threaded rod.



8. Insert the threaded rod into the center of the light kit and turn in a clockwise direction until secure.

ASSEMBLY INSTRUCTIONS



9. Install two 60 watt max. E26-base bulbs (sold separately). **Note:** It is not necessary to use Edison-shaped bulbs (shown).

10. Lift the center hole in the glass bowl over the threaded rod on the fixture and secure with rubber washer, metal washer, and hex nut.

11. Lift the center hole in the finial cap over the threaded rod and secure with the finial.

12. Restore the power at the fuse box and the wall switch.

Assembly is complete.

TROUBLESHOOTING

If you have difficulty operating your new light fixture, or have difficulty with installation, please contact the Service Department : 1-877-459-3267, 8 a.m. - 5 p.m. Central Time.

WARNING: Ensure the power is turned off to the light fixture before performing any maintenance.

PROBLEM	SUGGESTED REMEDY
Fixture does not light up.	<ol style="list-style-type: none">1. Turn on wall switch, and check fuses or circuit breakers.2. Check wire connections from outlet box to light fixture, located in the canopy.3. Install a new bulb.

TROUBLESHOOTING

5-YEAR LIMITED WARRANTY

To obtain service, please contact the Service Department:
1-877-459-3267, 8 a.m. - 5 p.m. Central Time.

Model Name: 2-Light Semi-Flushmount

Model No: 20710 - Brushed Nickel (SKU: 351-8391)

20731 - Matte Black (SKU: 351-8637)

The manufacturer warrants all of its lighting fixtures against defects in materials and workmanship for five (5) years from the date of purchase. If within this period the product is found to be defective, take a copy of the bill of sale as a proof of purchase and the product in its original carton to the place of purchase. The manufacturer will, at its option, repair, replace or refund the purchase price to the consumer. All costs of installation and removal of the fixture is the responsibility of the consumer. This warranty does not cover fixtures becoming defective due to misuse, accidental damage or improper handling and/or installation and specifically excludes liability for direct, incidental or consequential damages. As some states do not allow exclusions of limitations on an implied warranty, the above exclusion and limitation may not apply. This warranty gives you specific rights and you may also have other rights which may vary from state to state.