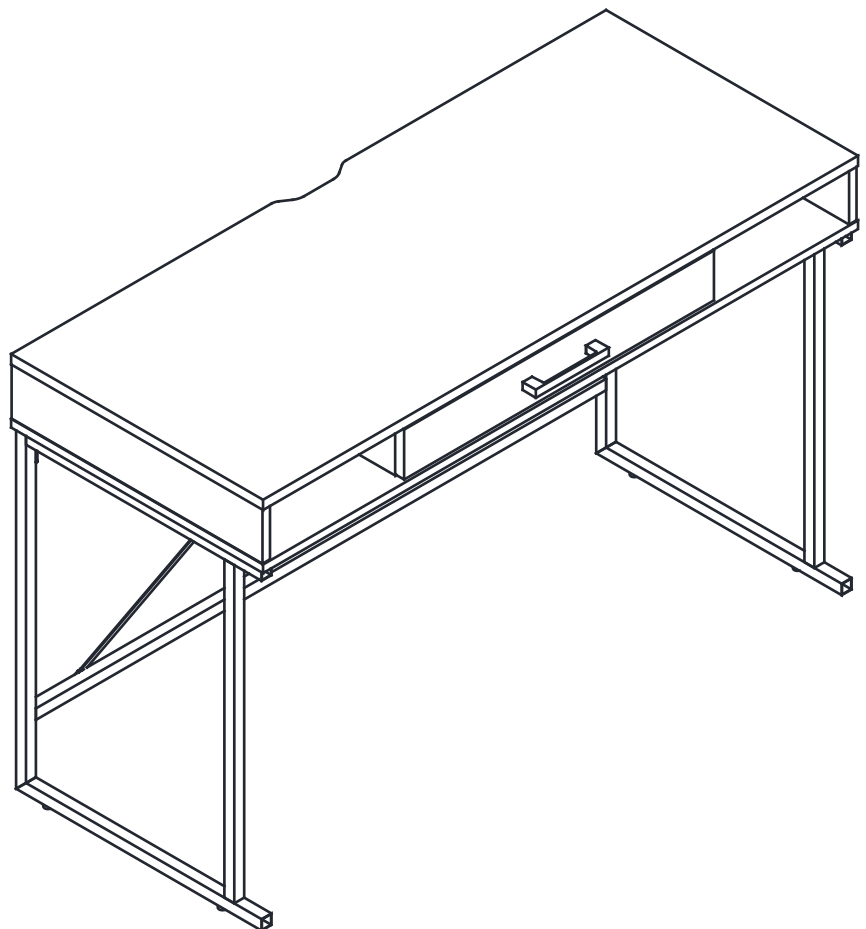


INSIGNIA™

47" Computer Desk with Drawer

NS-ODD3



Before using your new product, please read these instructions to prevent any damage.



Contents

Introduction	2
Safety information	3
Features	3
Dimensions	3
Parts included	4
Hardware included	5
Tools needed	5
Preparing to assemble your desk	6
Understanding cam locks and cam-lock screws	6
Assembling your desk	7
STEP 1: Insert wooden dowels into the back panel	7
STEP 2: Insert wooden dowels and cam-lock screws into the side panels	8
STEP 3: Insert wooden dowels into the storage panels	9
STEP 4: Attach cam-lock screws and wall straps to the desktop	10
STEP 5: Attach the side panels to the back panel	11
STEP 6: Attach the storage panels to the desktop	12
STEP 7: Attach the back/side assembly to the desktop	13
STEP 8: Attach the bottom desk panel to the desk assembly	14
STEP 9: Assemble the desk frame	15
STEP 10: Attach the cross bars and feet to the desk frame	16
STEP 11: Attach the desk frame to the desk assembly	17
STEP 12: Attach a cam-lock screw to the front drawer panel	18
STEP 13: Assemble the drawer frame	19
STEP 14: Install the bottom drawer panel	20
STEP 15: Attach the front of the drawer	21
STEP 16: Install the drawer and tighten the screws	22
STEP 17: Secure your desk to the wall	23
STEP 18: Level your desk	24
Cleaning your desk	25
Specifications	25
Troubleshooting	25
ONE-YEAR LIMITED WARRANTY	26

Introduction

Congratulations on your purchase of a high-quality Insignia product. Your NS-ODD3 represents the state of the art in desk design and is designed for reliable and trouble-free performance.

Safety information



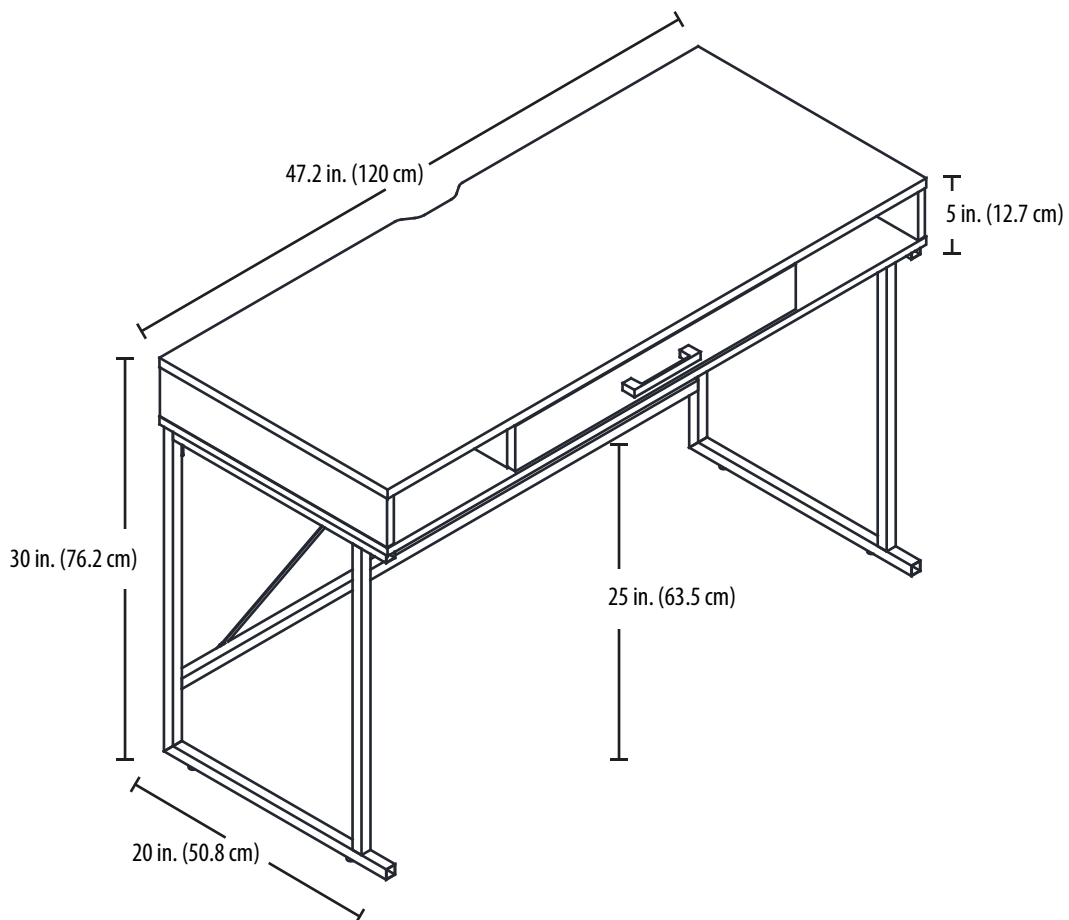
WARNING: Please use your furniture correctly and safely. Improper use can cause safety hazards, or damage to your furniture or household items.

- This product is intended to hold the maximum weight indicated. Exceeding the maximum weight will result in instability and may cause serious injury.
- Do not allow children to climb or jump on furniture due to possible accident, injury, or death.
- Never push or pull furniture that is not designed with casters as this may cause injury or damage to the unit.

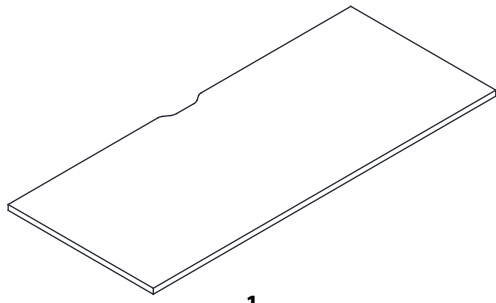
Features

- Metal legs help to provide stability
- Includes one drawer and two open spaces to store your essentials
- Holds up to 80 lbs.

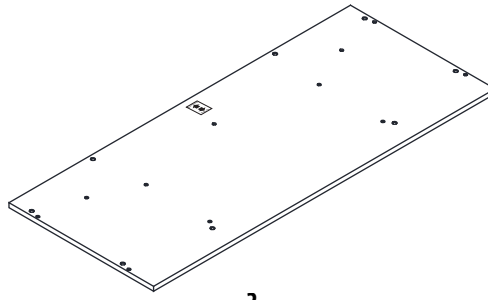
Dimensions



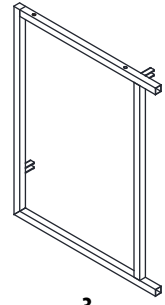
Parts included



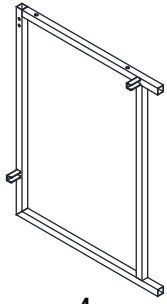
1
Desktop



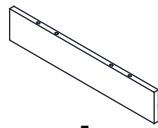
2
Bottom desk panel



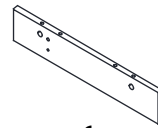
3
Left leg frame



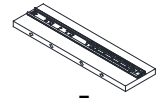
4
Right leg frame



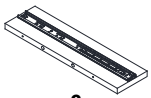
5
Left side panel



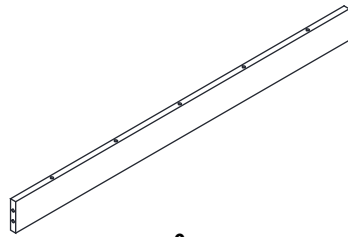
6
Right side panel



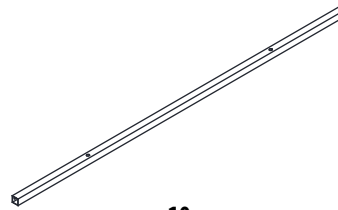
7
Left storage panel



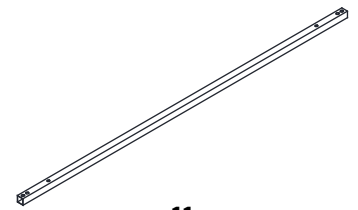
8
Right storage panel



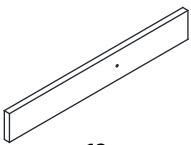
9
Back panel



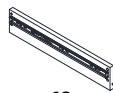
10
Front support bar



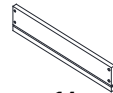
11
Bottom support bar



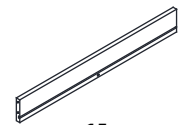
12
Front drawer panel



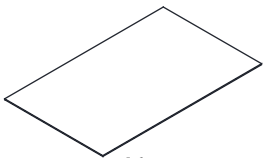
13
Left drawer panel



14
Right drawer panel



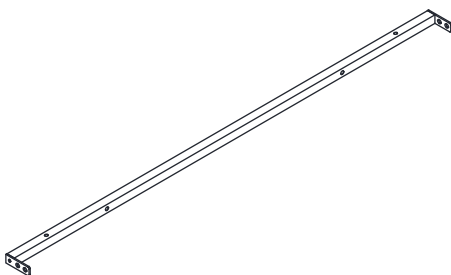
15
Back drawer panel



16
Bottom drawer panel



17
Drawer support


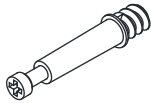

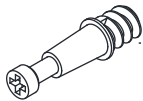




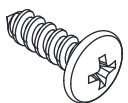




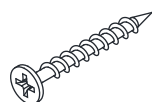
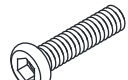
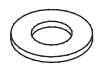
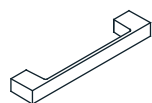




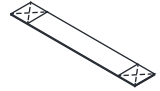
18
Upper back support bar



19
Cross bars

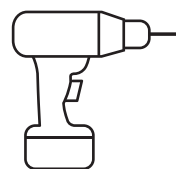
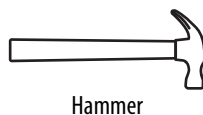
Hardware included

LABEL	HARDWARE	QTY.
A	 Wooden dowel	22
B	 Long cam-lock screw	13
C	 15 × 12 mm cam lock	13
D	 Short cam-lock screw	1
E	 12 × 11 mm cam lock	1
F	 4 × 40 mm screw	13
G	 Anchor	2
H	 Foot	4
I	 3.5 × 12 mm screw	6
J	 M6 × 12 mm bolt	2

LABEL	HARDWARE	QTY.
K	 Drawer bracket	2
L	 3.8 × 35 mm screw	5
M	 M6 × 30 mms screw	8
N	 Washer	12
O	 Handle	1
P	 M4 × 25 mm screw	2
Q	 M6 × 15 mm screw	12
R	 M5 × 15 mm screw	4
S	 Hex wrench	1
T	 Wall strap	2

Tools needed

CAUTION: Do not use a drill to assemble your desk. The drill should only be used to secure your desk to the wall (step 18).

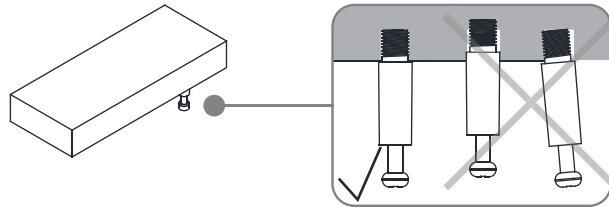


Preparing to assemble your desk

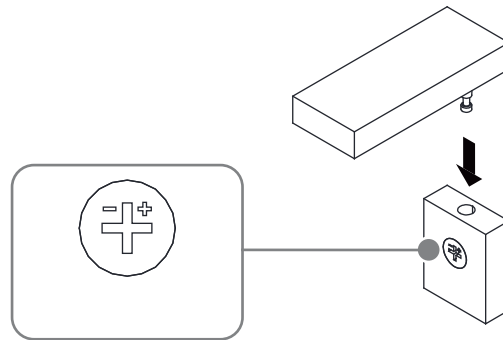
- 1 Follow the assembly instructions carefully.
- 2 Make sure that all parts and hardware are included.
- 3 To prevent product damage, assemble your desk on top of the box.
- 4 Have another person help you with lifting and assembly.
- 5 For the best results, do not fully tighten the screws until you have assembled all the other parts.

Understanding cam locks and cam-lock screws

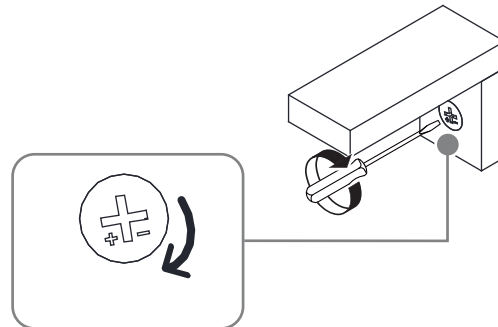
- 1 Screw the cam-lock screws (**B** or **D**) into each piece with a Phillips screwdriver. Make sure that they are straight and flush with each panel.



- 2 Align the cam lock (**C** or **E**) arrow toward to the hole, then insert the cam-lock screw into the hole of the cam lock.



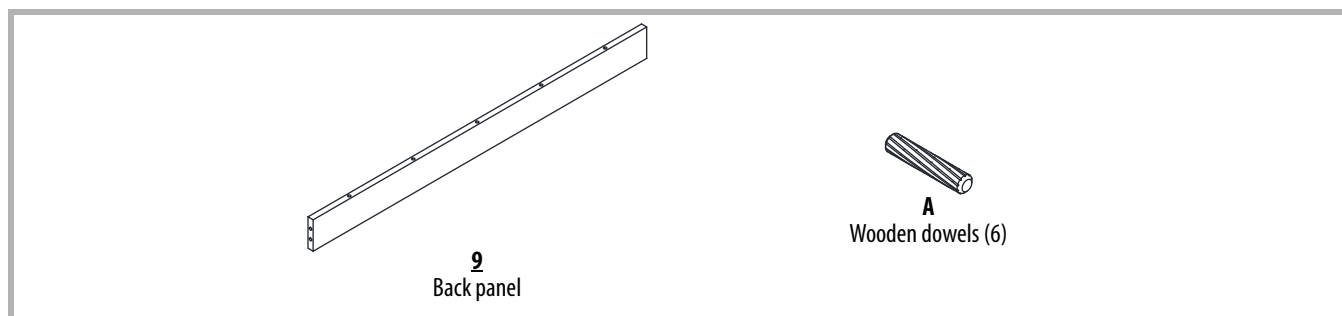
- 3 Use a Phillips screwdriver to turn the cam lock clockwise until it is locked. The locked position is about a 1/2 turn (160° to 185°). Do not overturn the cam lock.



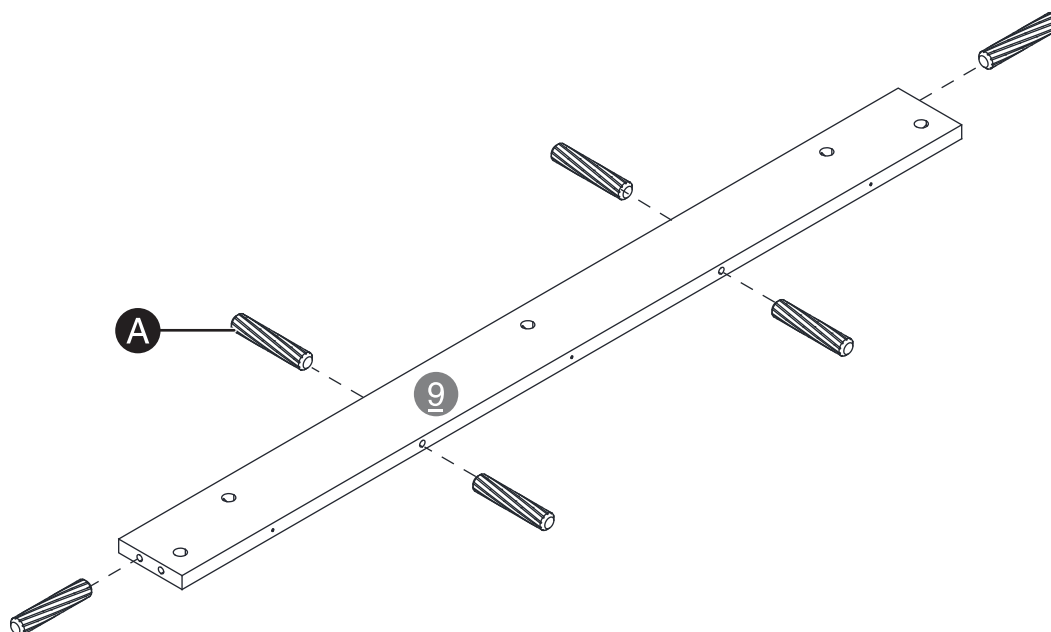
Assembling your desk

STEP 1: Insert wooden dowels into the back panel

You need:

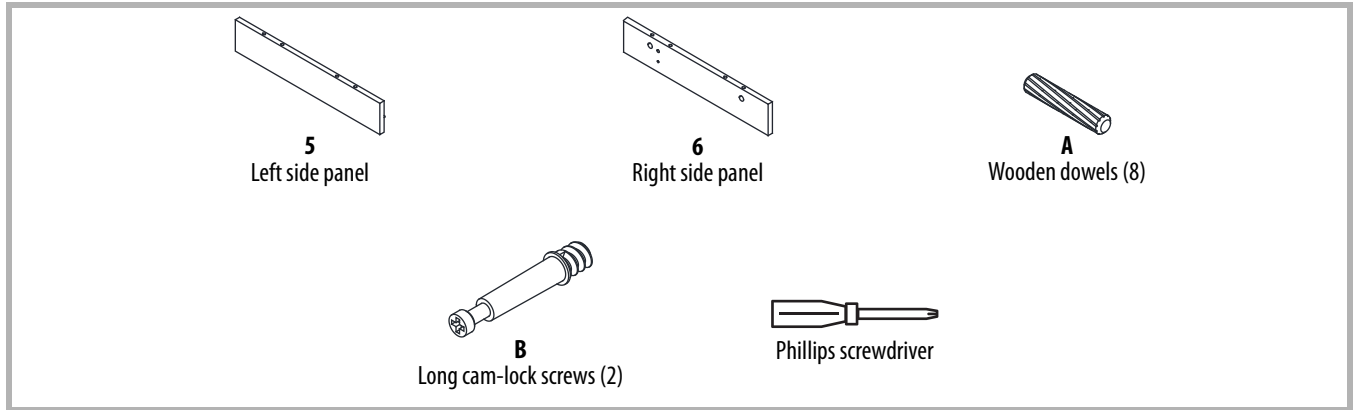


- 1 Insert six wooden dowels (A) into the edges of the back panel (9), as shown. Be careful not to insert the dowels into the cam-lock screw holes.

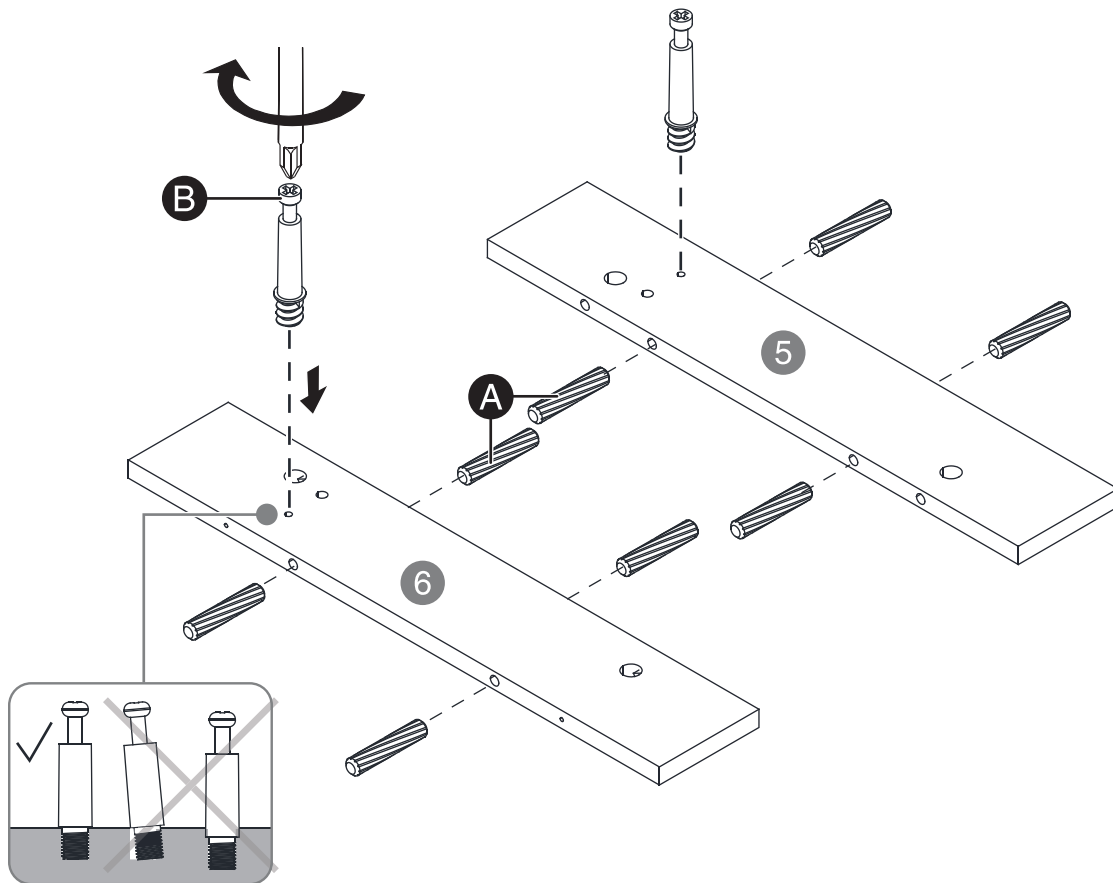


STEP 2: Insert wooden dowels and cam-lock screws into the side panels

You need:

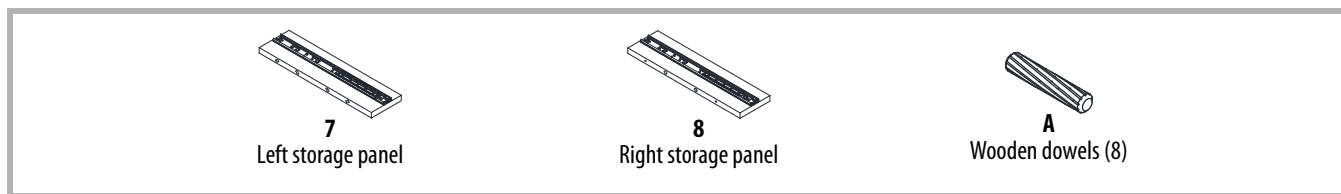


- 1 Insert eight wooden dowels (A) into the edges of the left side panel (5) and right side panel (6), as shown. Be careful not to insert the dowels into the cam-lock screw holes.
- 2 Screw a long cam-lock screw (B) into the left side panel (5) and right side panel (6) with a Phillips screwdriver. Make sure that the cam-lock screws are straight and flush with each panel.

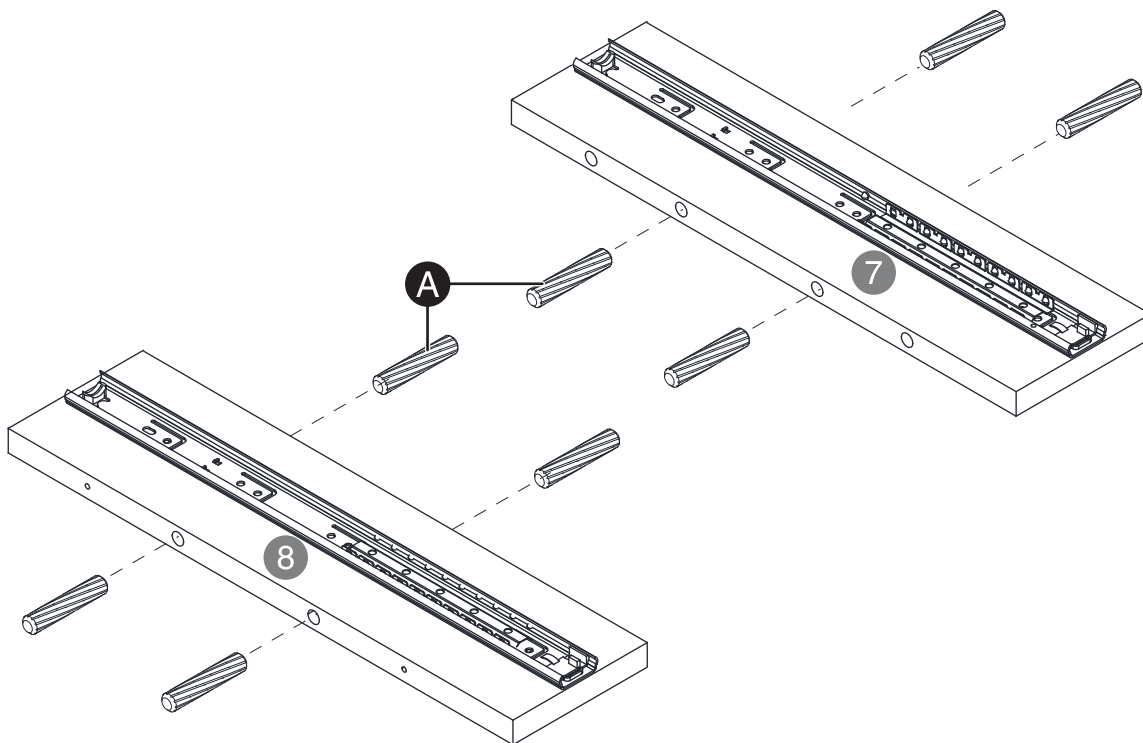


STEP 3: Insert wooden dowels into the storage panels

You need:

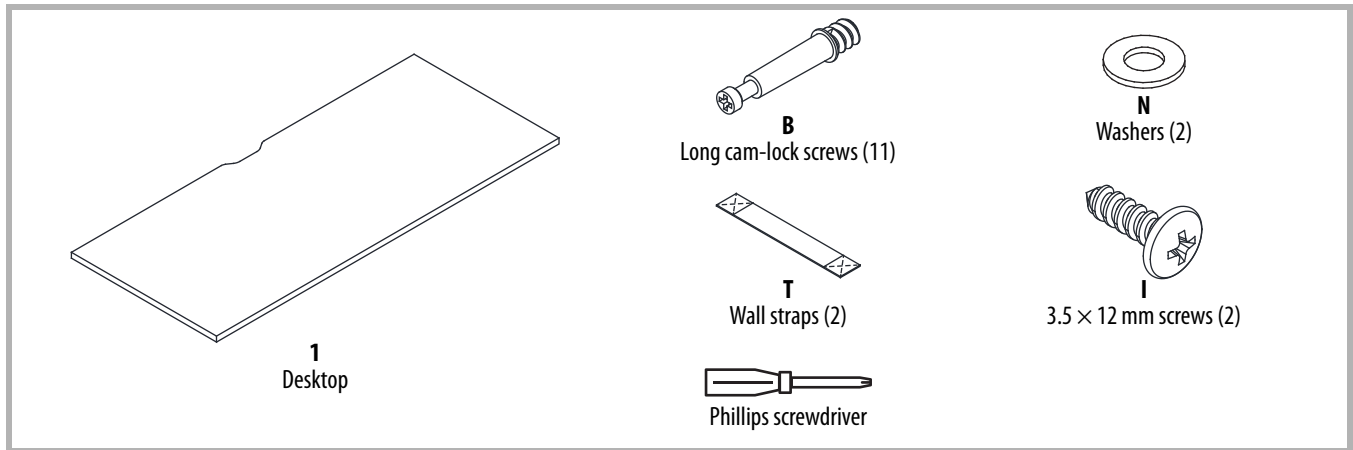


- 1 Insert eight wooden dowels (A) into the edges of the left storage panel (7) and right storage panel (8).

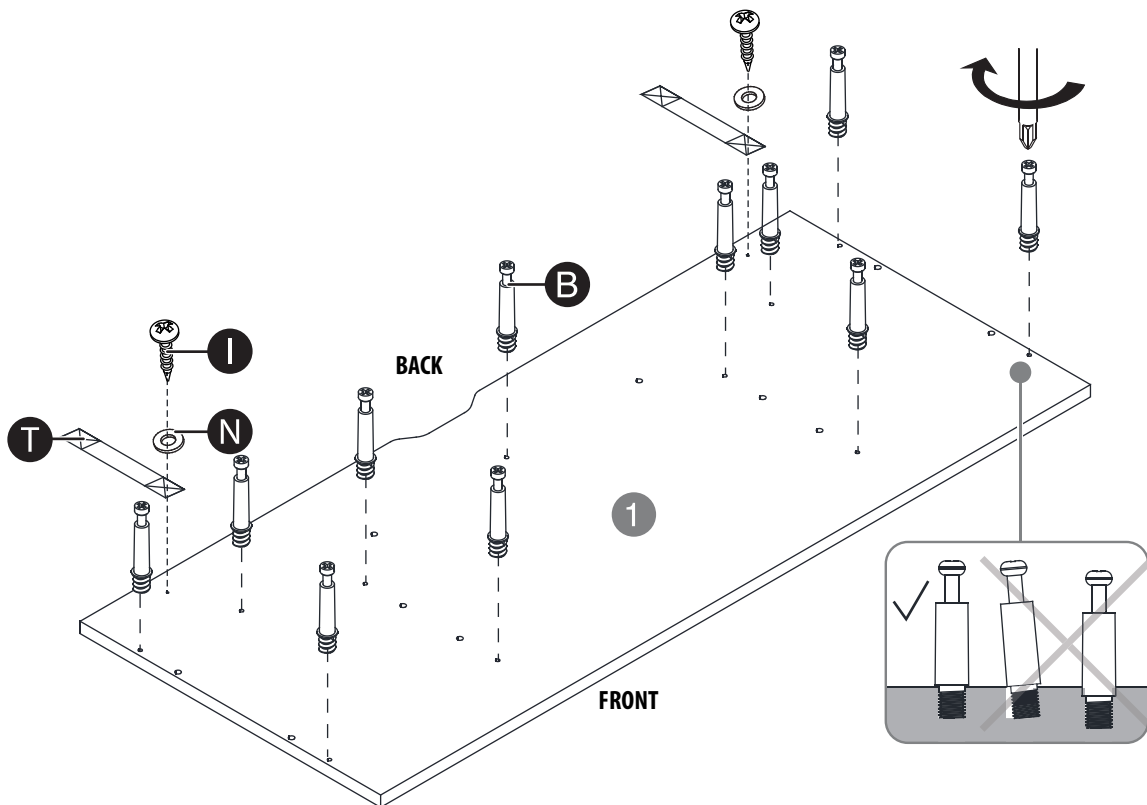


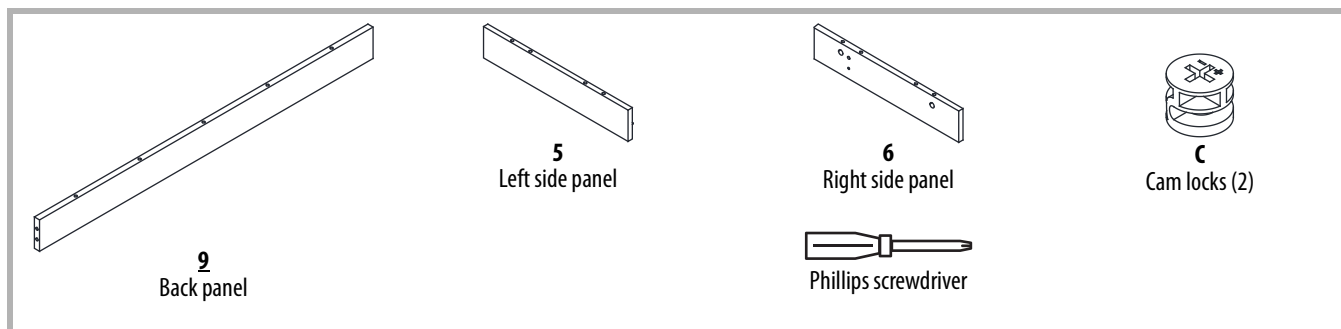
STEP 4: Attach cam-lock screws and wall straps to the desktop

You need:

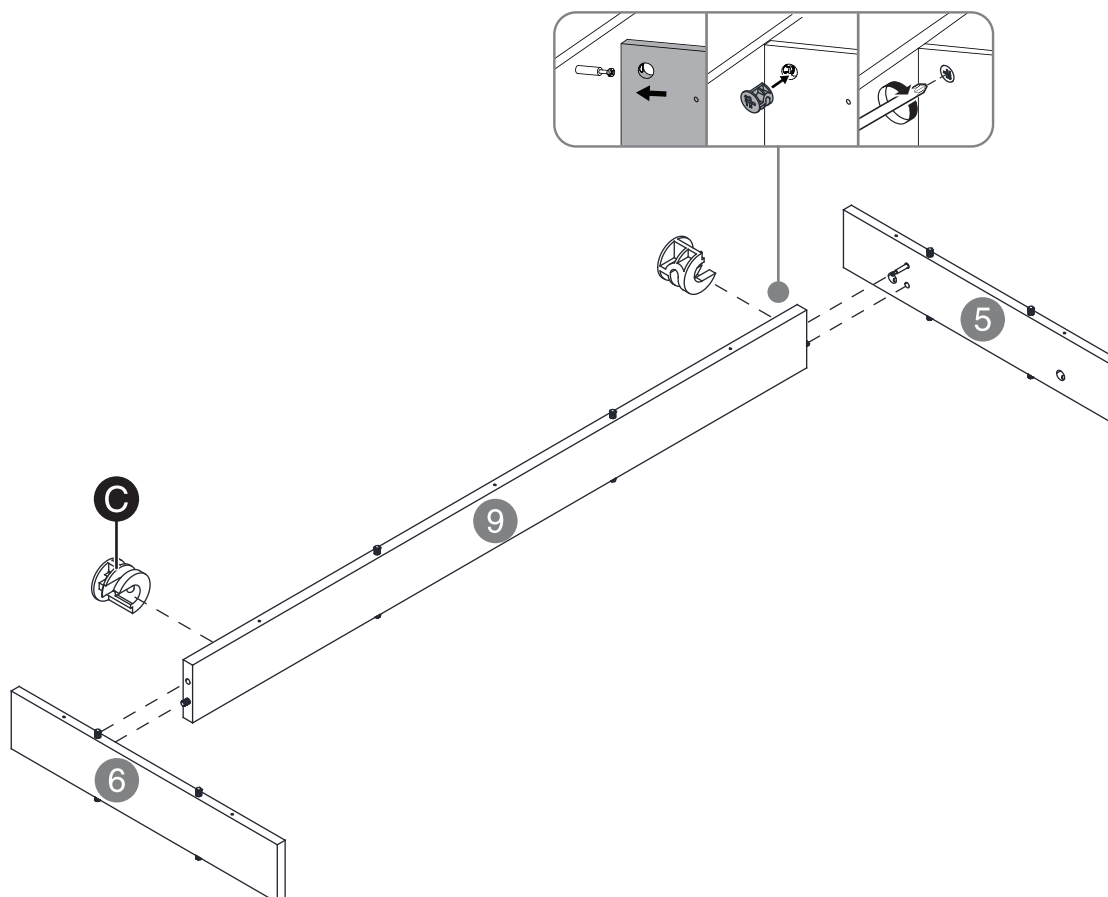


- 1 Screw 11 long cam-lock screws (**B**) into the desktop (**1**) with a Phillips screwdriver. Make sure that the cam-lock screws are straight and flush with each panel.
- 2 Align the wall straps (**T**) with the two holes along the back edge of the desktop (**1**), then secure with 3.5 × 12 mm screws (**I**) and washers (**N**) using a Phillips screwdriver.



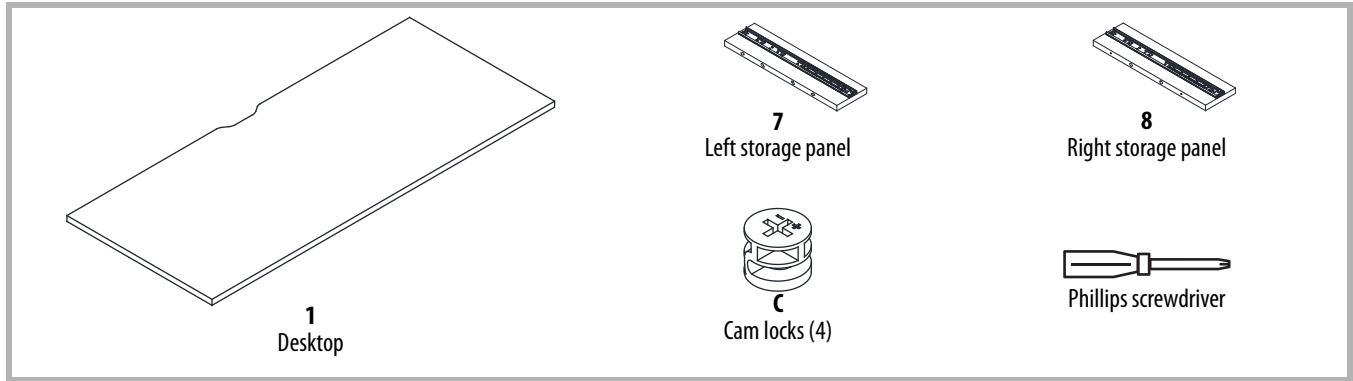
STEP 5: Attach the side panels to the back panel**You need:**

- 1 To connect the left side panel (5) or right side panel (6) to the back panel (9), align the wooden dowel and cam-lock screw with the holes in the panels.
- 2 Insert a cam lock (C) into the back panel, making sure that the arrow is pointing toward the side panel.
- 3 Turn the cam lock clockwise with a Phillips screwdriver until it is fully tightened (about 160° to 185°).
- 4 Repeat steps 1–3 to connect the other side panel. This is the back/side assembly.

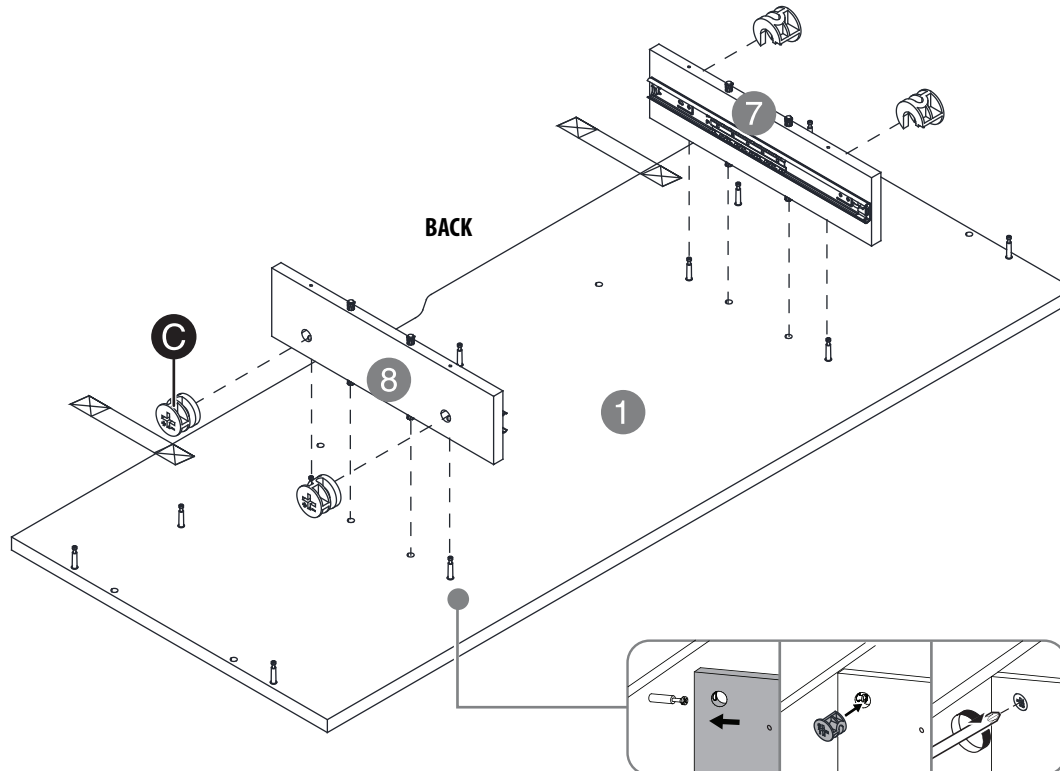


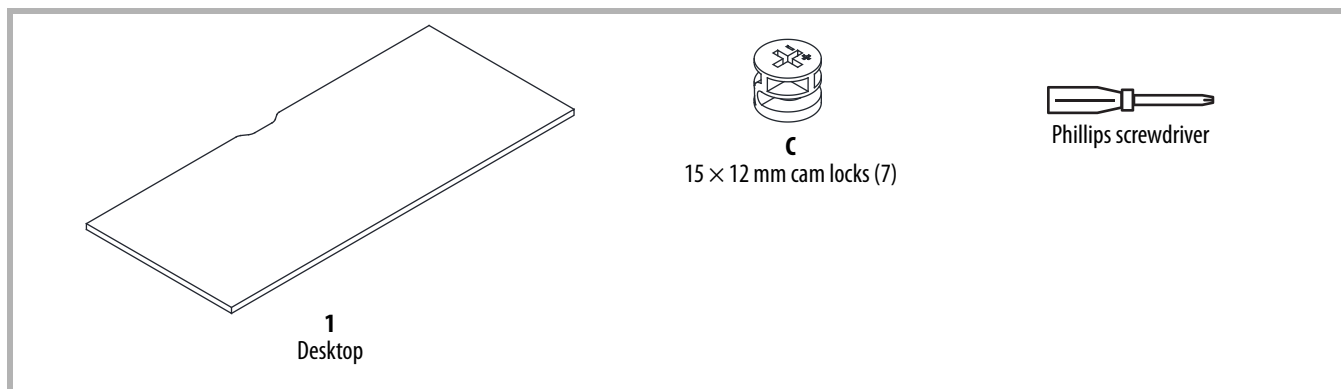
STEP 6: Attach the storage panels to the desktop

You need:

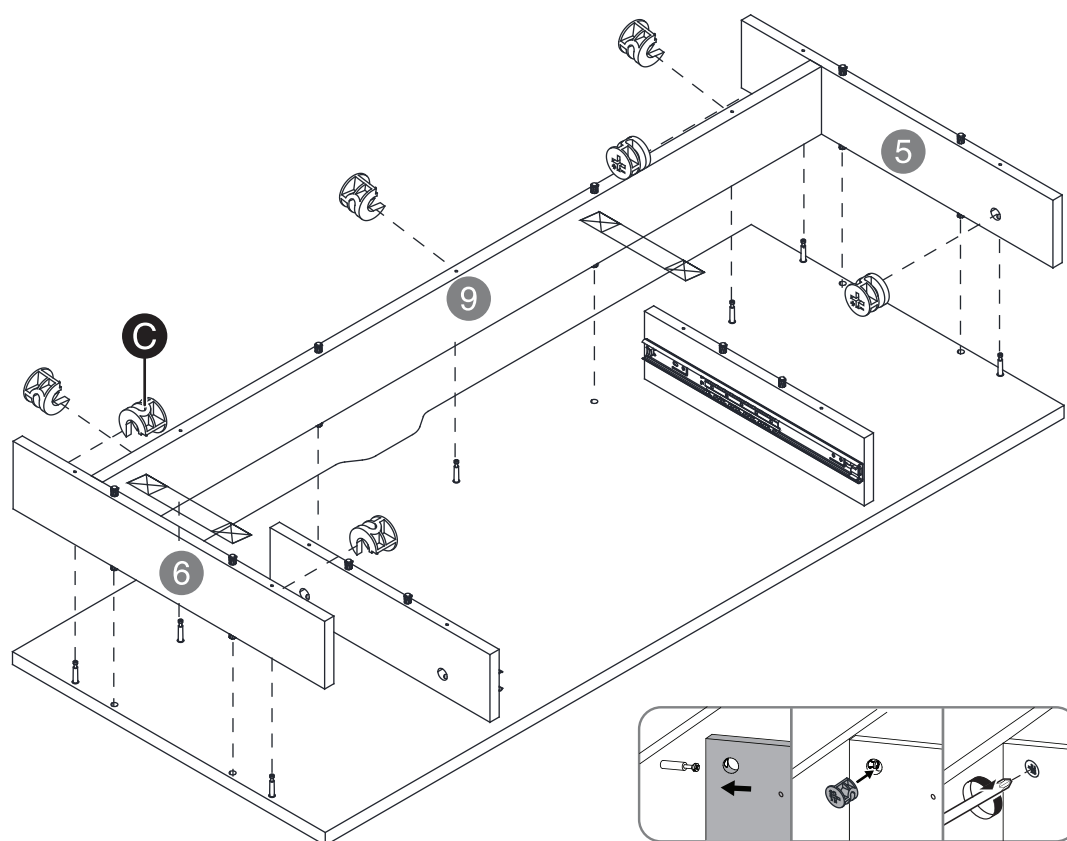


- 1 To connect the left storage panel (7) or right storage panel (8) to the desktop (1), align the wooden dowels and cam-lock screws with the holes in the panels. Make sure that the drawer slides are facing each other and the backs of the slides are toward the back of the desk.
- 2 Insert cam locks (C) into the storage panel, making sure that the arrows are toward the desktop.
- 3 Turn the cam locks clockwise with a Phillips screwdriver until they are fully tightened (about 160° to 185°).
- 4 Repeat steps 1–3 to connect the other storage panel.



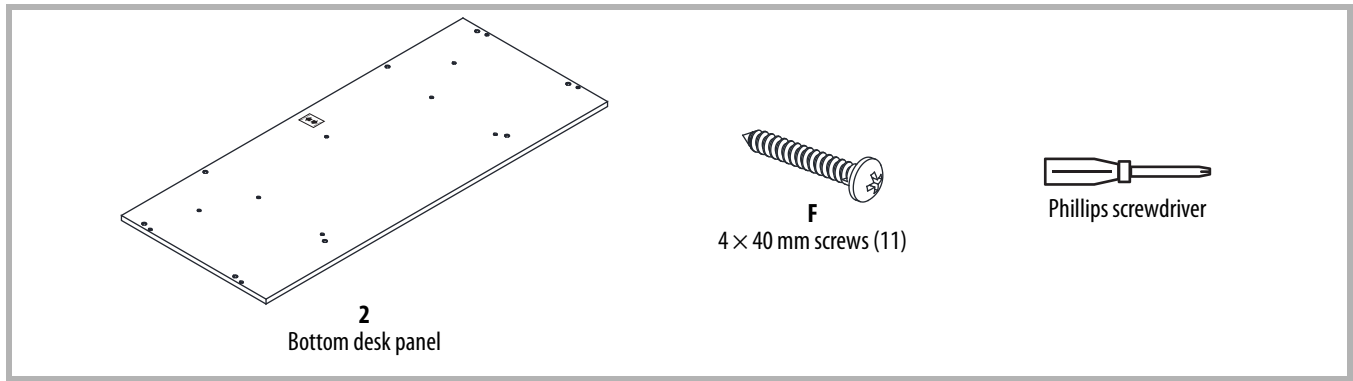
STEP 7: Attach the back/side assembly to the desktop**You need:**

- 1 To connect the back/side assembly to the desktop (1), align the wooden dowels and cam-lock screws with the holes in the panels.
- 2 Insert seven large cam locks (C) into the back/side assembly, making sure that the arrows are toward the desktop.
- 3 Turn the cam locks clockwise with a Phillips screwdriver until they are fully tightened (about 160° to 185°). This is the desk assembly.

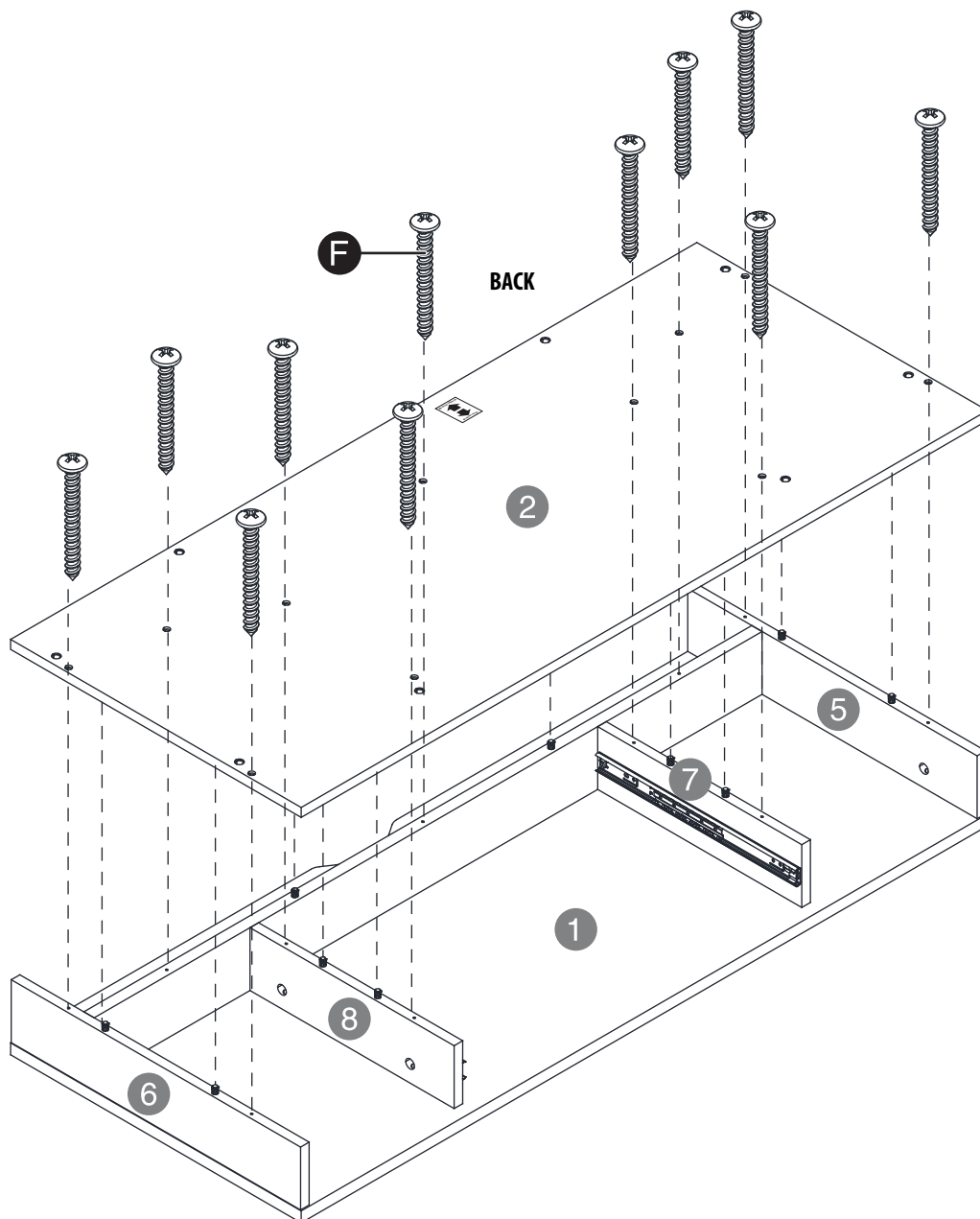


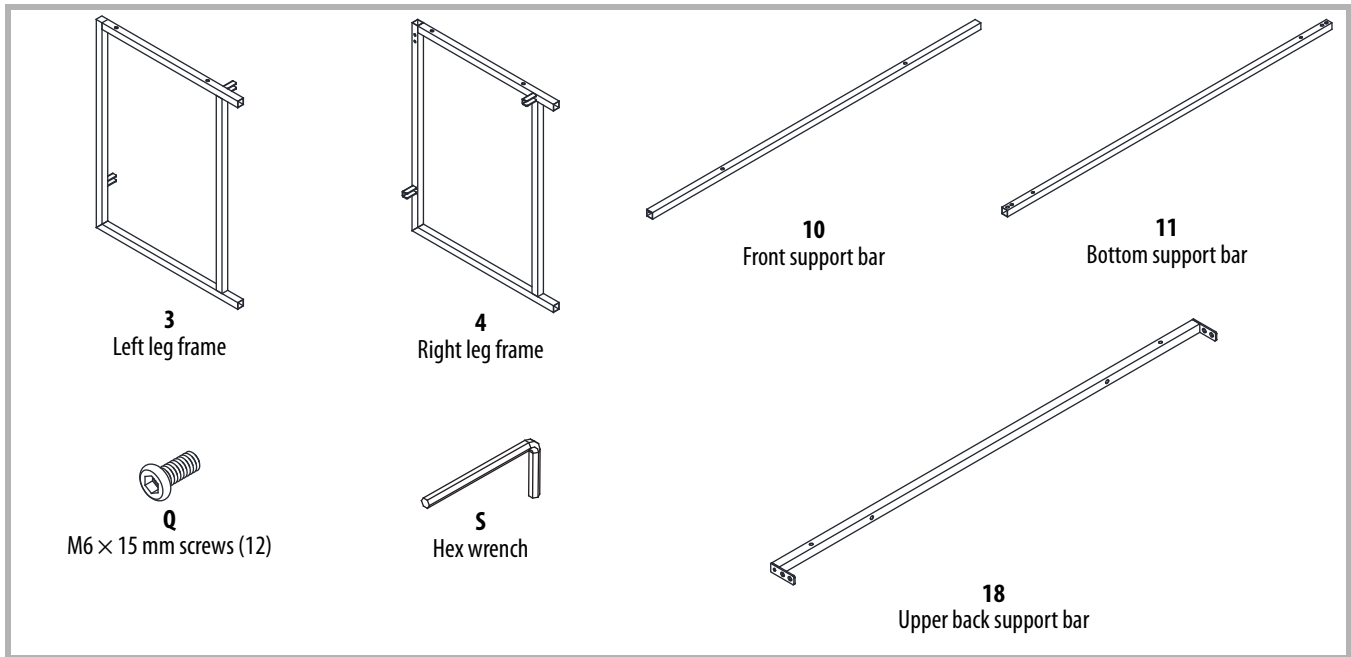
STEP 8: Attach the bottom desk panel to the desk assembly

You need:



- 1 To connect the bottom desk panel (2) to the desk assembly, make sure that the bottom desk panel is not tilted, then align the wooden dowels with the holes in the panels.
- 2 Secure the bottom desk panel with the 4 × 40 mm screws (F) and a Phillips screwdriver.

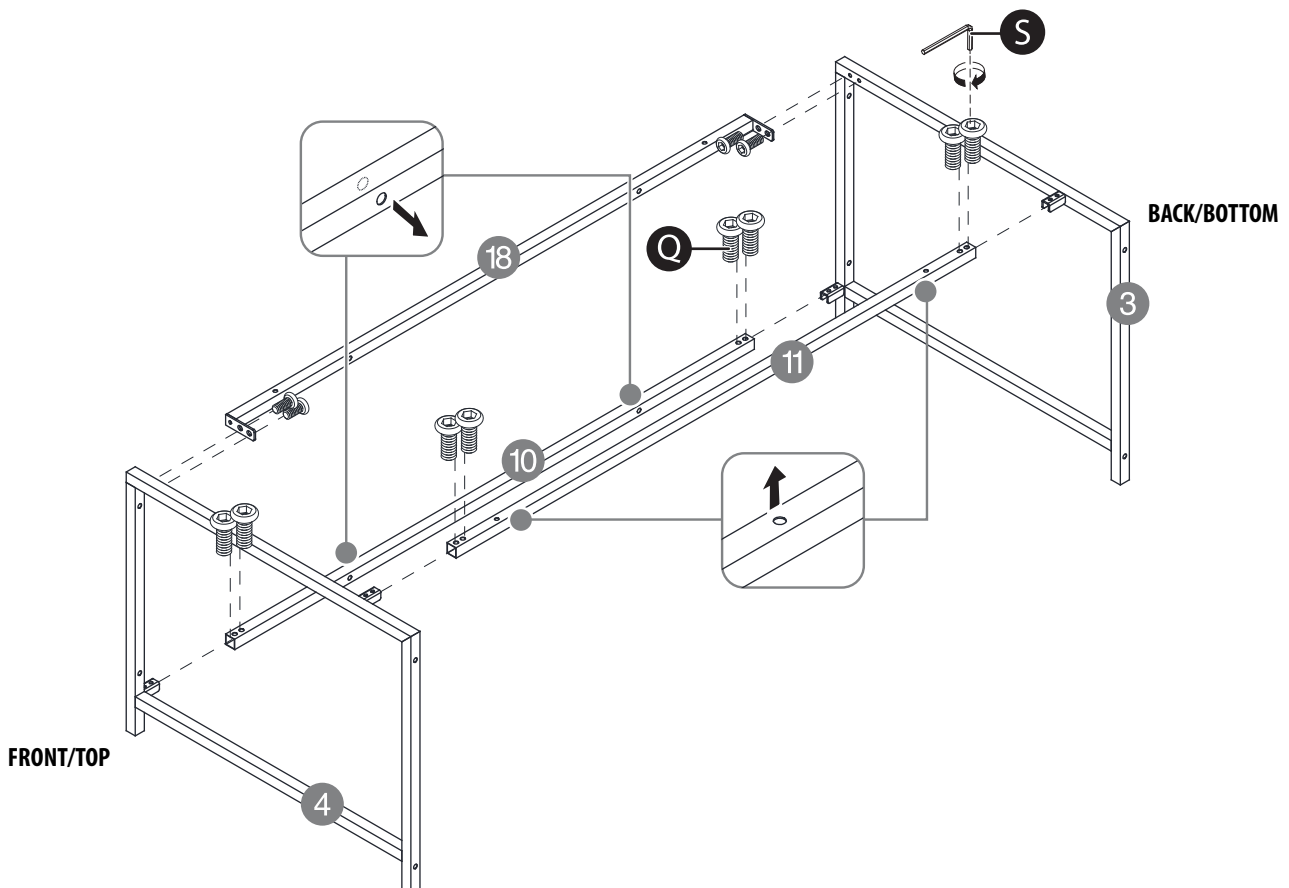


STEP 9: Assemble the desk frame**You need:**

Note: To make assembly easier, do not lock the screws tightly until you have assembled all other parts.

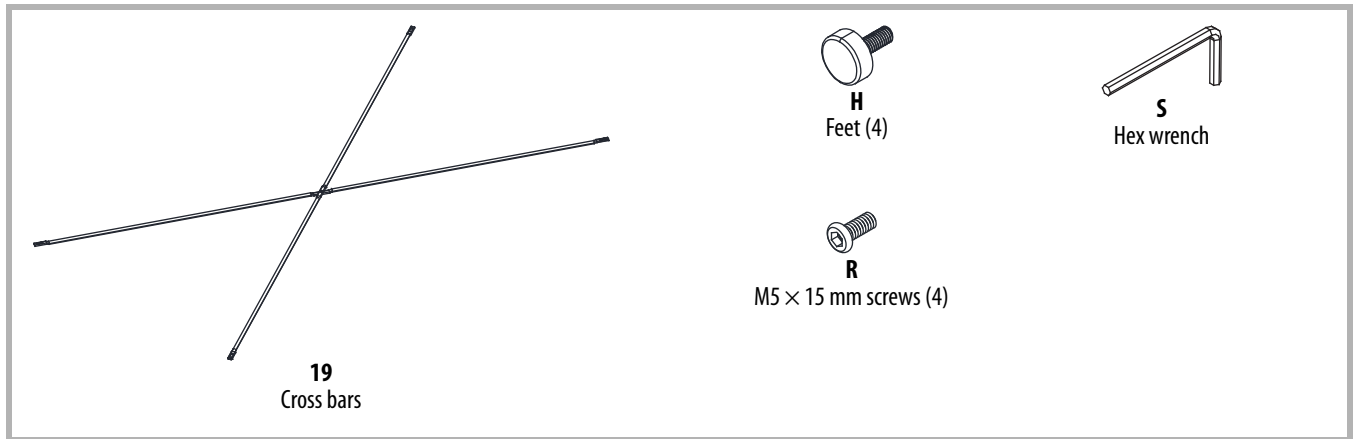
Use the hex wrench (**S**) and M6 x 15 mm screws (**Q**) to:

- 1 Connect the front support bar (**10**) from the right leg frame (**4**) to the left leg frame (**3**). Make sure that the holes in the front support bar face toward the bottom of your desk (as shown).
- 2 Connect the bottom support bar (**11**) from the right leg frame to the left leg frame. Make sure that the holes in the bottom support bar face toward the back of your desk (as shown).
- 3 Connect the upper back support bar (**18**) from the right leg frame to the left leg frame. This is the desk frame.



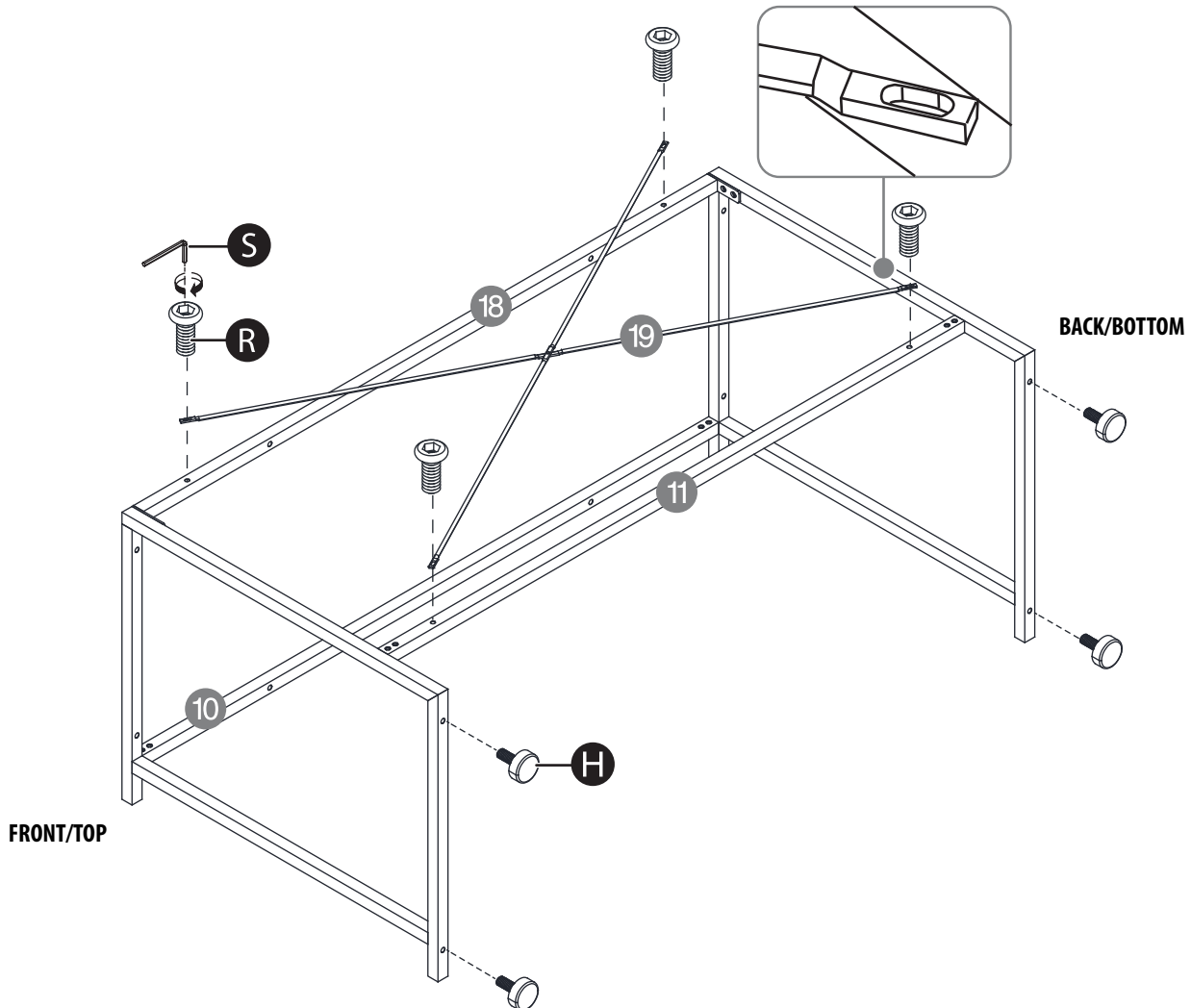
STEP 10: Attach the cross bars and feet to the desk frame

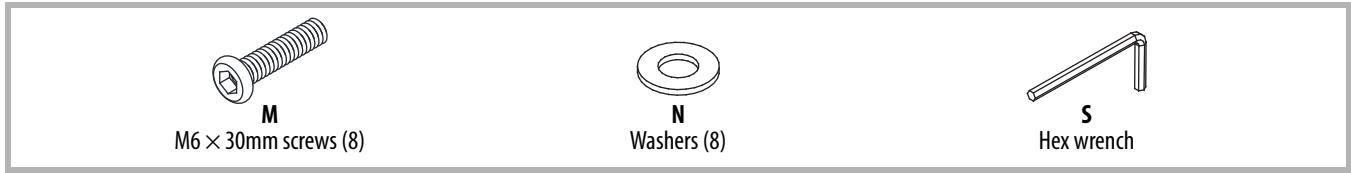
You need:



Note: To make assembly easier, do not lock the screws tightly until you have assembled all other parts.

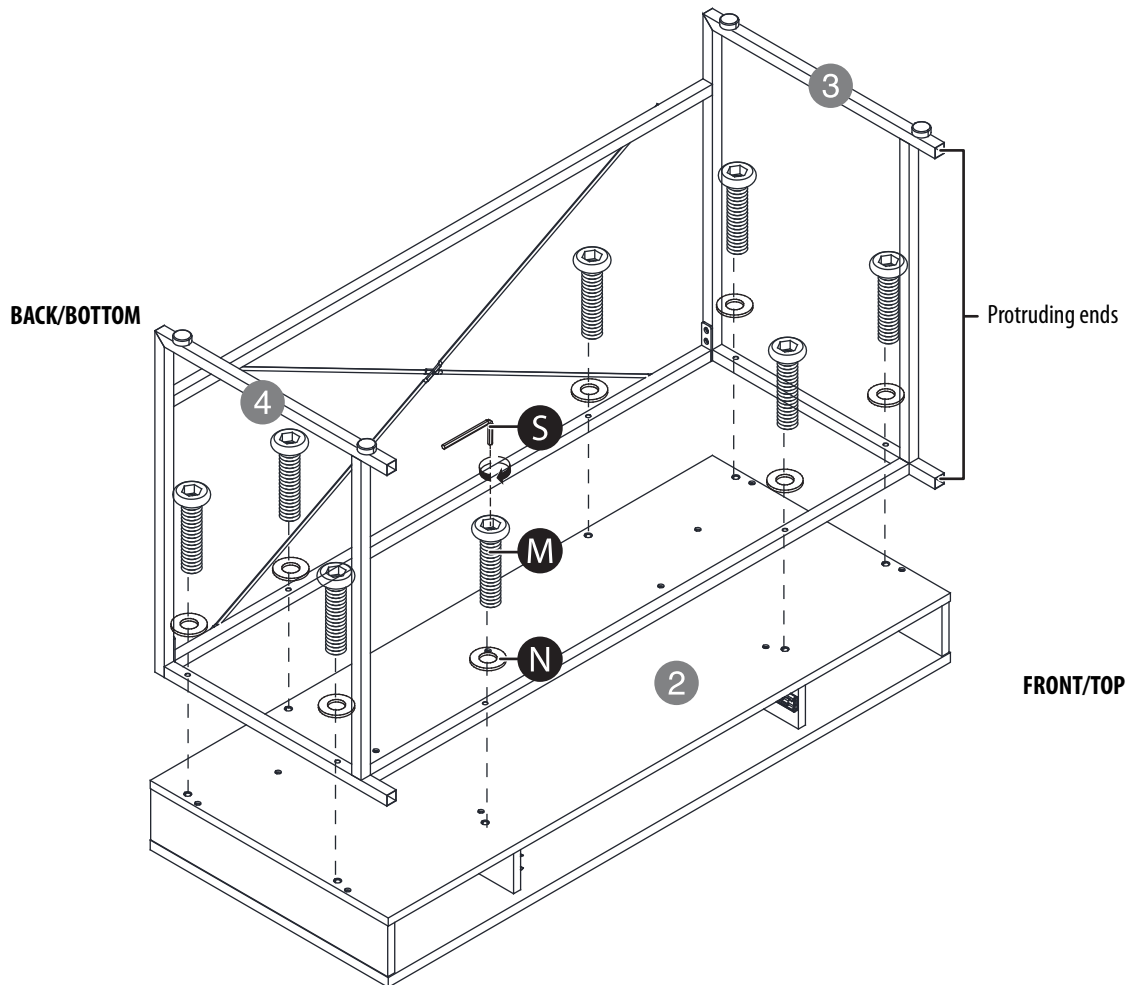
- 1 Secure the cross bars (19) to the desk frame with four M5 × 15 mm screws (R) and the hex wrench (S). Make sure that the cross bars bow inwards so that the back of the desk will be flush with the wall.
- 2 Screw the four feet (H) into the bottom of the desk frame.

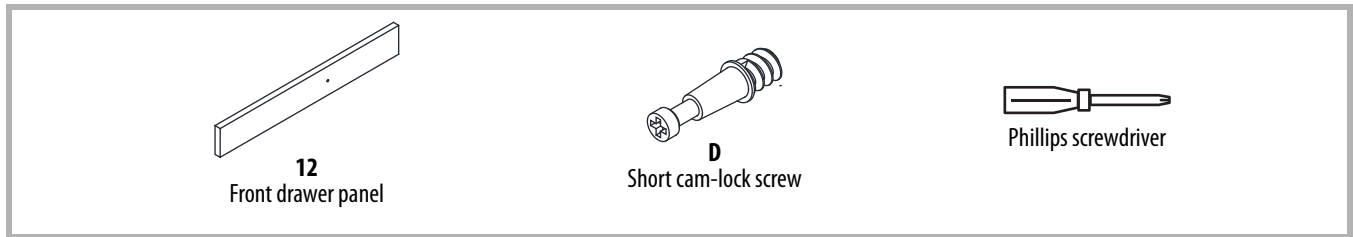


STEP 11: Attach the desk frame to the desk assembly**You need:**

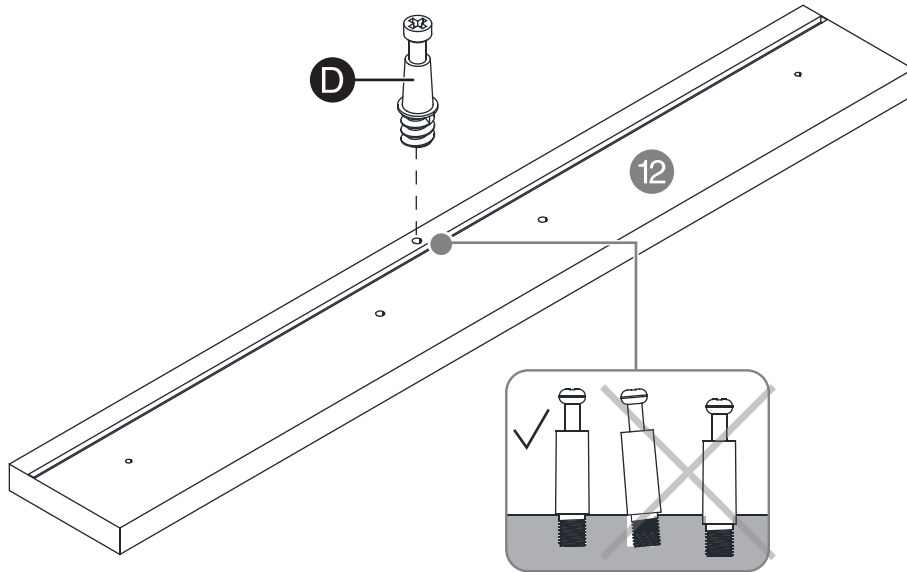
Note: To make assembly easier, do not lock the screws tightly until you have assembled all other parts.

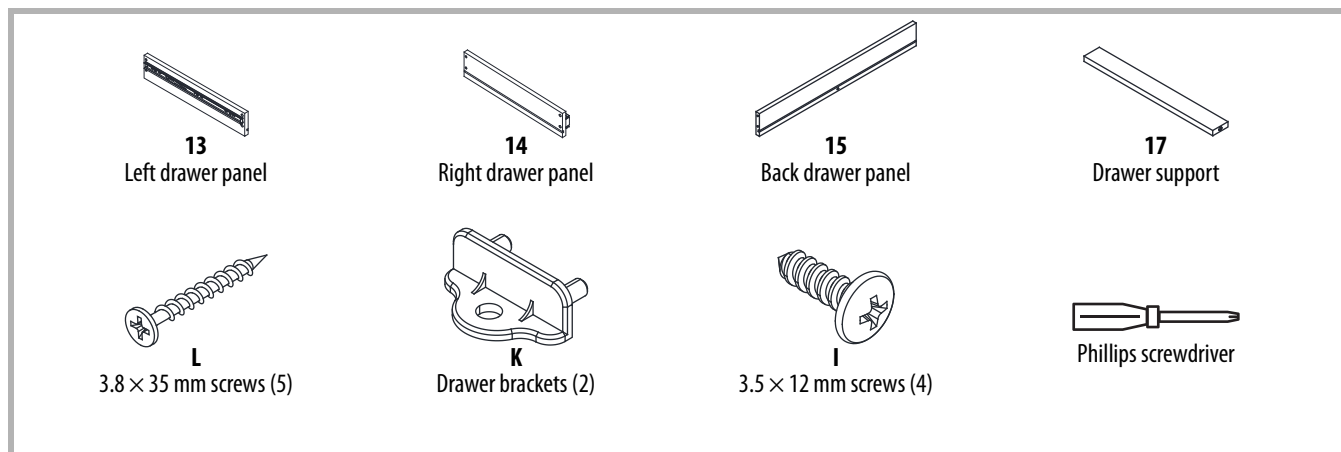
- 1 Rotate the desk frame so that the feet point up and the protruding ends are toward the front of the desk frame.
- 2 Align the desk frame with the holes in the desk assembly, then secure with the M6 × 30 mm screws (**M**) and washers (**N**) using the hex wrench (**S**).
- 3 Have someone help you lift your desk into an upright position.



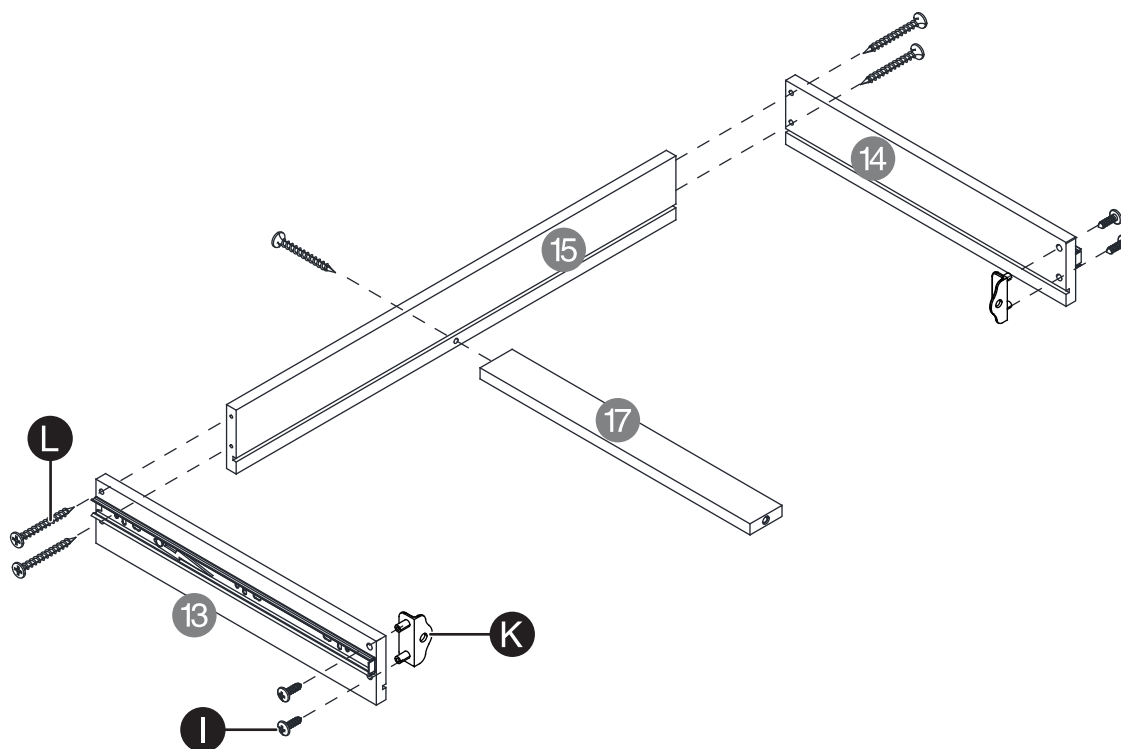
STEP 12: Attach a cam-lock screw to the front drawer panel**You need:**

- 1 Screw a short cam-lock screw (D) into the front drawer panel (12) with a Phillips screwdriver. Make sure that the cam-lock screw is straight and flush.



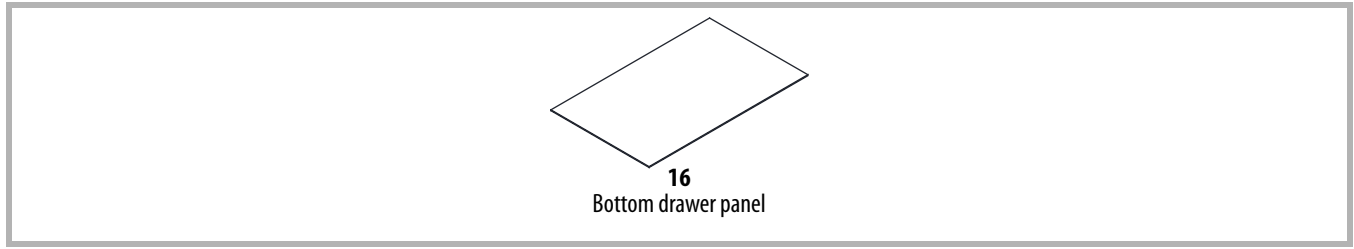
STEP 13: Assemble the drawer frame**You need:**

- 1 Using four 3.8 × 35 mm screws (L) and a Phillips screwdriver, connect the left drawer panel (13) and right drawer panel (14) to the back drawer panel (15). Make sure that the drawer slides are facing outward.
- 2 Using a 3.8 × 35 mm screw (L) and a Phillips screwdriver, connect the drawer support (17) to the back drawer panel (15).
- 3 Using four 3.5 × 12 mm screws (I) and a Phillips screwdriver, connect the drawer brackets (K) to ends of the left drawer panel (13) and right drawer panel (14). Make sure that the holes in the brackets (K) are facing away from the back of the drawer (as shown). This is the drawer frame.

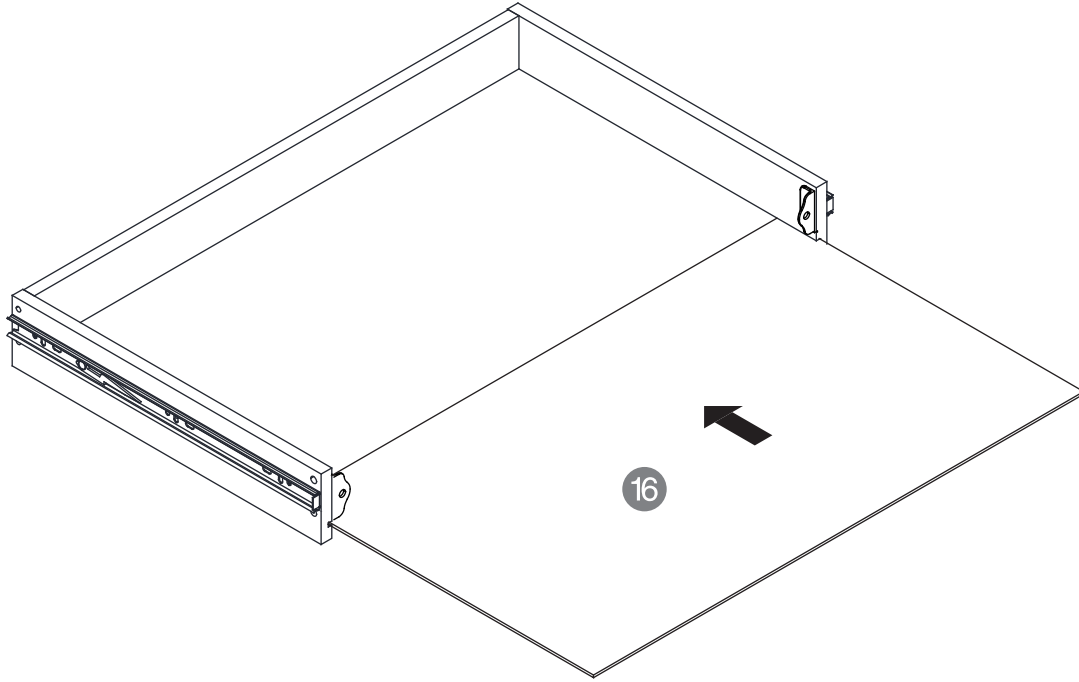


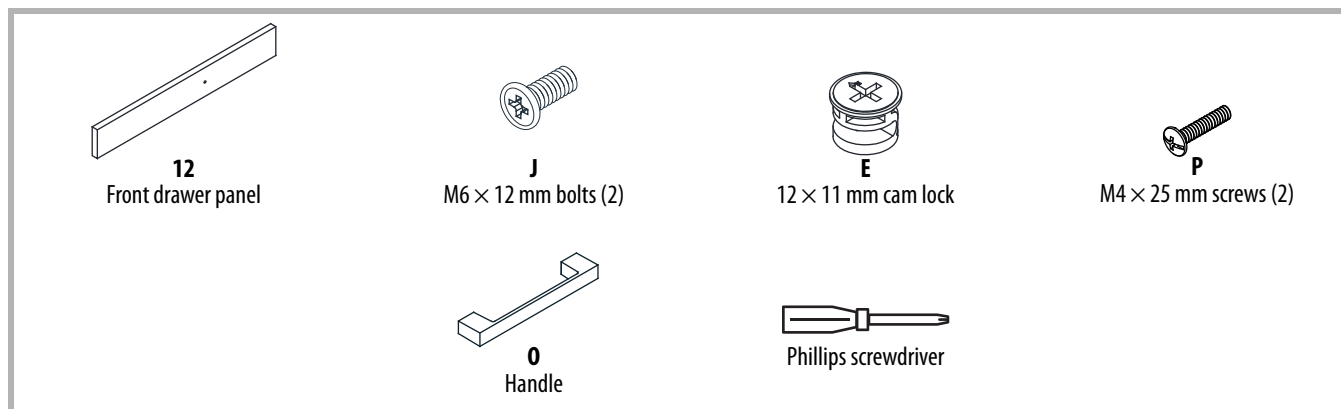
STEP 14: Install the bottom drawer panel

You need:

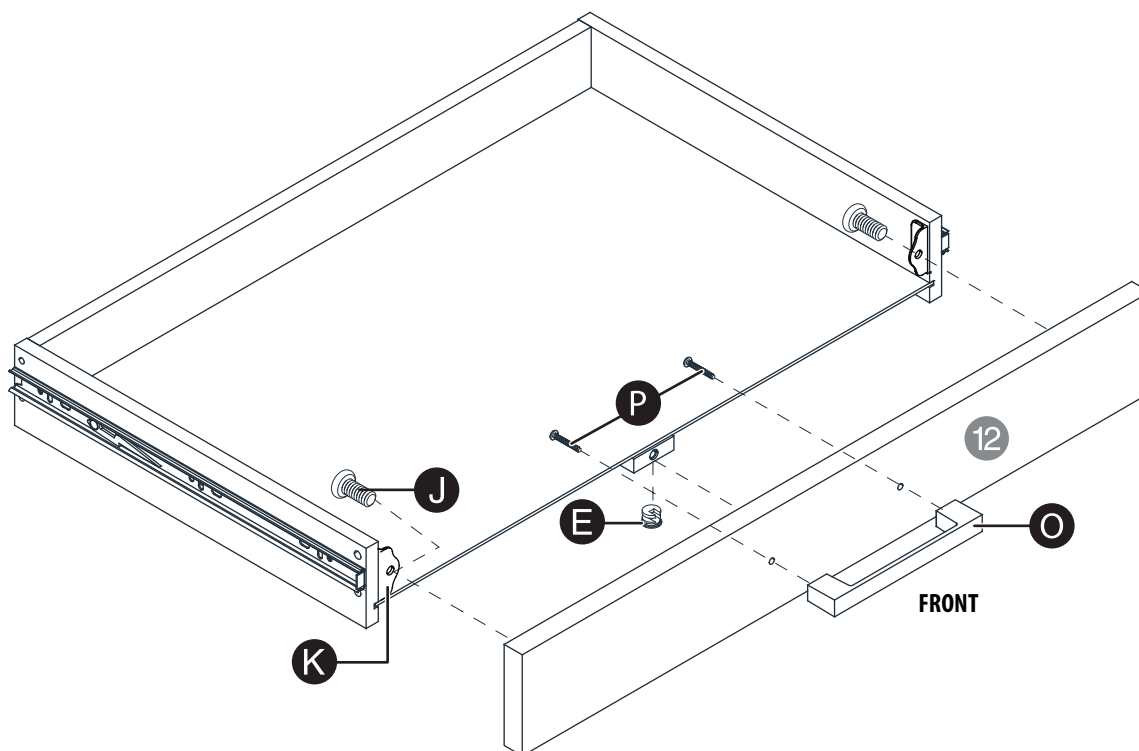


- 1 Slide the bottom drawer panel (**16**) into the grooves in the drawer frame.



STEP 15: Attach the front of the drawer**You need:**

- 1 Align the handle (O) with the holes on the front of the drawer, and secure with two M4 × 25 mm screws (P) and a Phillips screwdriver.
- 2 Align the front drawer panel (12) with the drawer frame. The short cam-lock screw (D) at the center of the front drawer panel should fit into the drawer support (17). The screw holes on the sides should align with the drawer brackets (K).
- 3 Secure the front drawer panel (12) with two M6 × 12 mm bolts (J) and a Phillips screwdriver.
- 4 Turn the drawer frame upside down, and insert the small cam lock (E) into the drawer support (17), making sure that the arrow is pointing toward the front.
- 5 Turn the cam lock clockwise with a screwdriver until it is fully tightened (about 160° to 185°). This is the drawer.



STEP 16: Install the drawer and tighten the screws

You need:

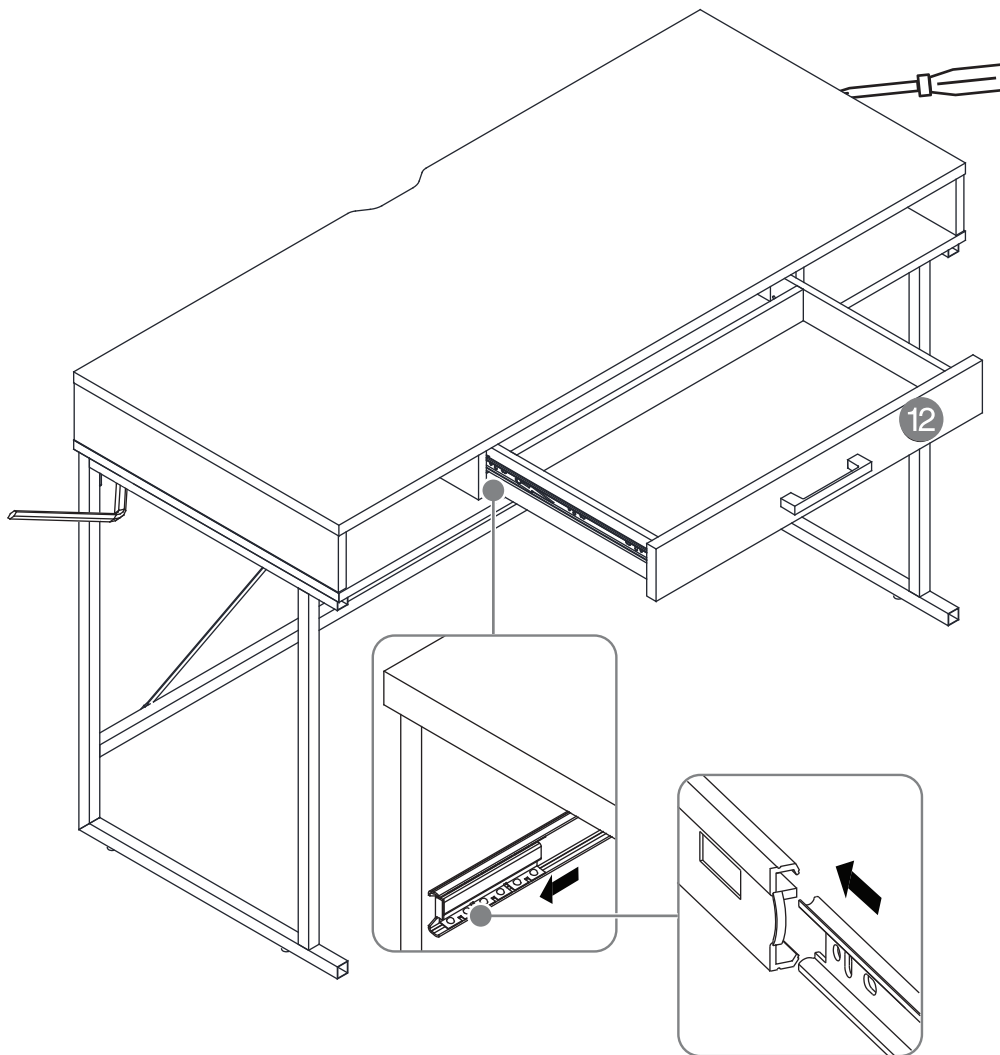


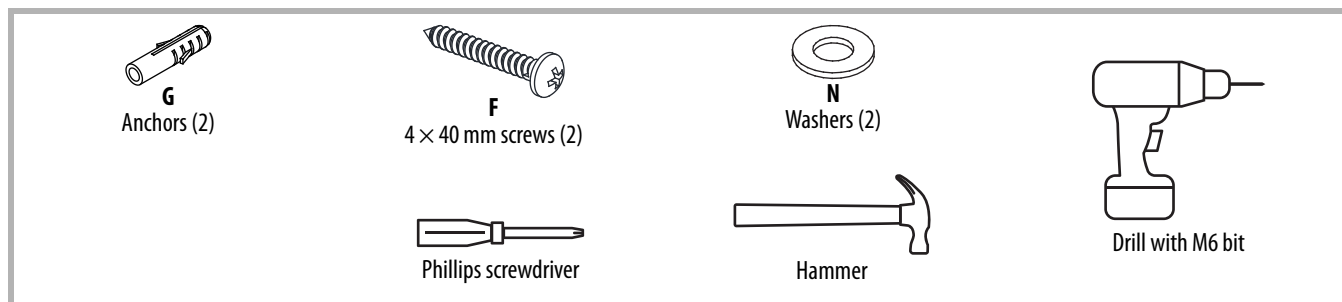
Phillips screwdriver



5
Hex wrench

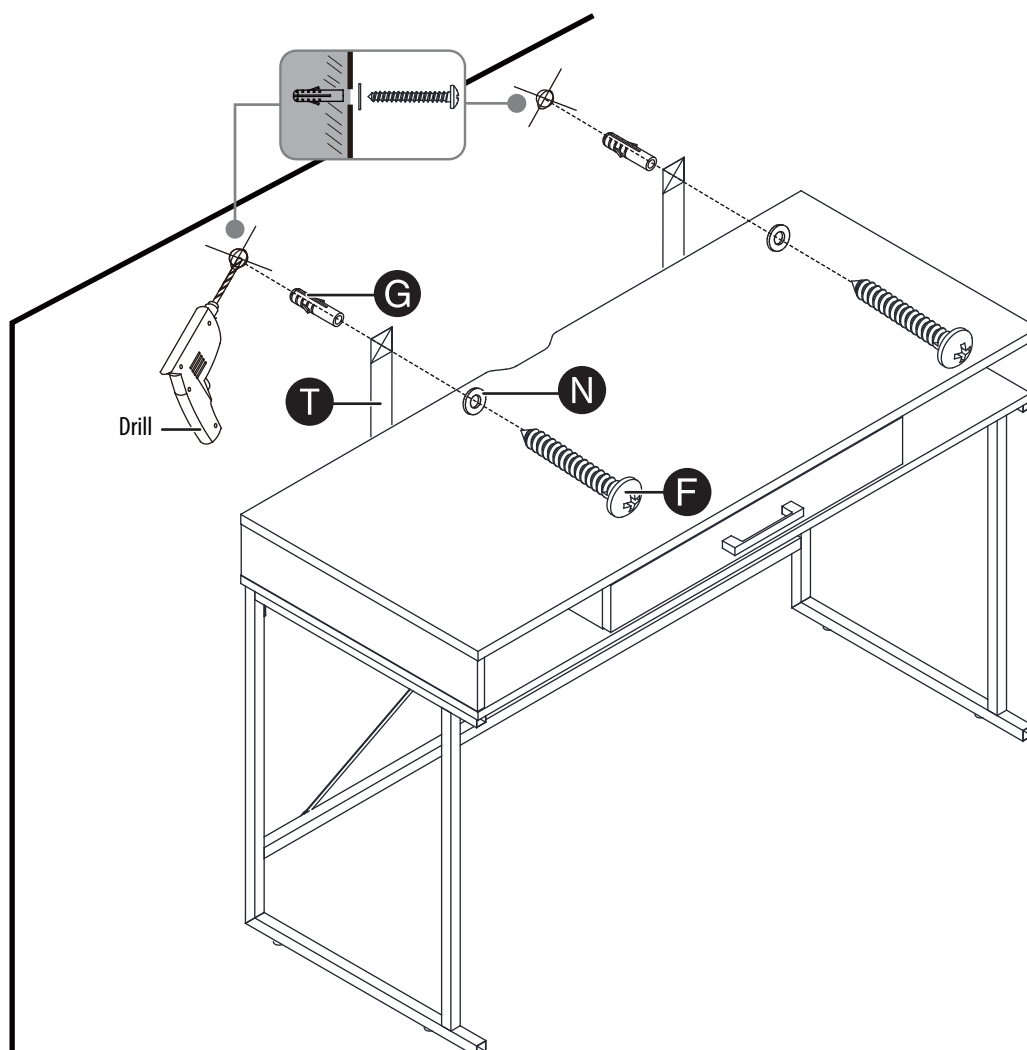
- 1 Align the drawer's slides with the slides inside your desk, then push the drawer into your desk.
- 2 Check each screw and cam-lock screw on your desk to make sure that they are fully tightened.



STEP 17: Secure your desk to the wall**You need:****WARNING:**

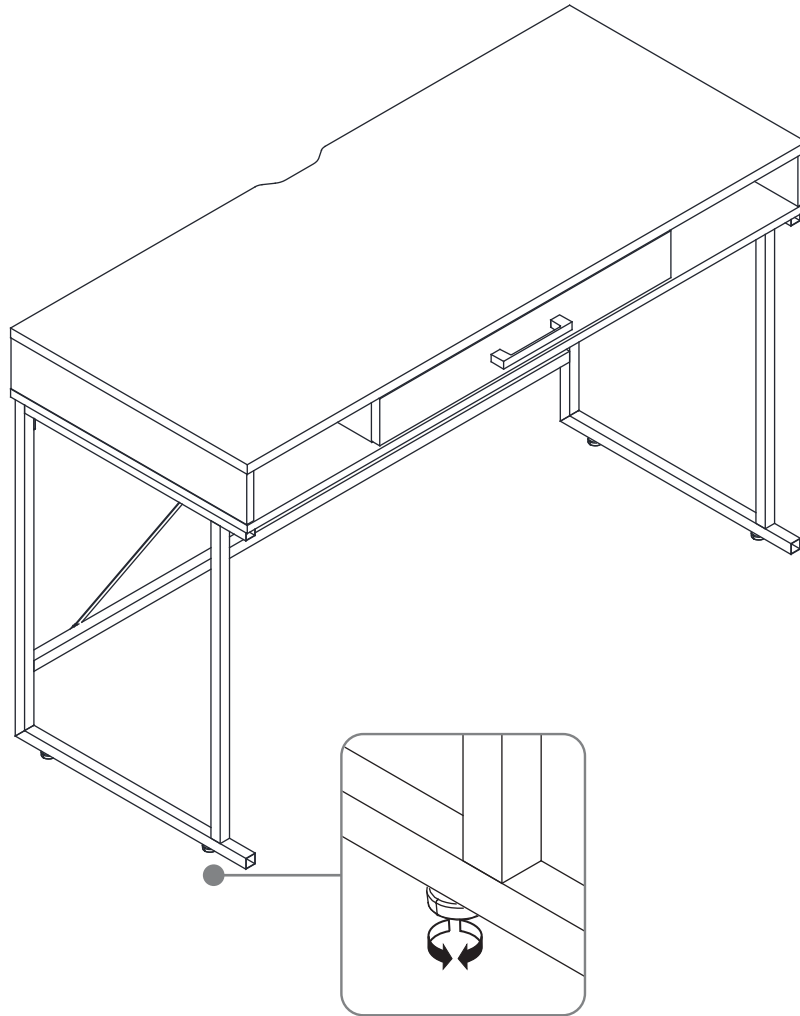
- DO NOT SKIP THIS STEP. Securing your desk protects children and pets from accidental tip-overs and injury.
- The included screws (**F**) and anchors (**G**) are intended for securing your desk to drywall only. If your wall is made of a different material, you must purchase appropriate anchors and screws separately.

- 1 Position your desk near a wall.
- 2 Drill two M6 (6 mm) holes in the wall within reach of the wall straps (**T**) attached to the back of your desk.
- 3 Insert the anchors (**G**) into the holes and gently tap them with a hammer until they are flush with the wall.
- 4 Align the ends of the wall straps (**T**) with the anchors, then secure with the 4 × 40 mm screws (**F**) and washers (**N**) using a Phillips screwdriver.



STEP 18: Level your desk

- Adjust the desk's feet to level the desk. All four feet are adjustable.



Cleaning your desk

- Clean the surface of your desk with a duster or damp cloth only.
- Do not use abrasive cleaners.

Specifications

Dimensions (H x W x D)	30 x 47.2 x 20 in. (76.2 x 120 x 50.8 cm)
Weight	52.5 lbs. (23.8 kg)
Maximum supported weight	Desktop: 80 lbs. (36.3 kg) Shelf: 5 lbs. (2.3 kg) Drawer: 4 lbs. (1.8 kg)

Troubleshooting

PROBLEM	POSSIBLE SOLUTIONS
My desk wobbles	<ul style="list-style-type: none"> • Place your desk on a solid, sturdy surface. Carpet may cause your desk to wobble. • Loosen or tighten the four feet to level the desk. All four feet are adjustable.
A piece won't fit	Loosen screws to let the pieces move more freely. After your desk is assembled, fully tighten the screws.

ONE-YEAR LIMITED WARRANTY

Definitions:

The Distributor* of Insignia branded products warrants to you, the original purchaser of this new Insignia-branded product ("Product"), that the Product shall be free of defects in the original manufacturer of the material or workmanship for a period of one (1) year from the date of your purchase of the Product ("Warranty Period").

For this warranty to apply, your Product must be purchased in the United States or Canada from a Best Buy branded retail store or online at www.bestbuy.com or www.bestbuy.ca and is packaged with this warranty statement.

How long does the coverage last?

The Warranty Period lasts for 1 year (365 days) from the date you purchased the Product. Your purchase date is printed on the receipt you received with the Product.

What does this warranty cover?

During the Warranty Period, if the original manufacture of the material or workmanship of the Product is determined to be defective by an authorized Insignia repair center or store personnel, Insignia will (at its sole option): (1) repair the Product with new or rebuilt parts; or (2) replace the Product at no charge with new or rebuilt comparable products or parts. Products and parts replaced under this warranty become the property of Insignia and are not returned to you. If service of Products or parts are required after the Warranty Period expires, you must pay all labor and parts charges. This warranty lasts as long as you own your Insignia Product during the Warranty Period. Warranty coverage terminates if you sell or otherwise transfer the Product.

How to obtain warranty service?

If you purchased the Product at a Best Buy retail store location or from a Best Buy online website (www.bestbuy.com or www.bestbuy.ca), please take your original receipt and the Product to any Best Buy store. Make sure that you place the Product in its original packaging or packaging that provides the same amount of protection as the original packaging.

To obtain warranty service, in the United States and Canada call 1-877-467-4289. Call agents may diagnose and correct the issue over the phone.

Where is the warranty valid?

This warranty is valid only in the United States and Canada at Best Buy branded retail stores or websites to the original purchaser of the product in the country where the original purchase was made.

What does the warranty not cover?

This warranty does not cover:

- Food, beverage, and or medicine loss/spoilage.
- Customer instruction/education
- Installation
- Set up adjustments
- Cosmetic damage
- Damage due to weather, lightning, and other acts of God, such as power surges
- Accidental damage
- Misuse
- Abuse
- Negligence
- Commercial purposes/use, including but not limited to use in a place of business or in communal areas of a multiple dwelling condominium or apartment complex, or otherwise used in a place of other than a private home.
- Modification of any part of the Product, including the antenna
- Display panel damaged by static (non-moving) images applied for lengthy periods (burn-in).
- Damage due to incorrect operation or maintenance
- Connection to an incorrect voltage or power supply
- Attempted repair by any person not authorized by Insignia to service the Product
- Products sold "as is" or "with all faults"
- Consumables, including but not limited to batteries (i.e. AA, AAA, C etc.)
- Products where the factory applied serial number has been altered or removed
- Loss or Theft of this product or any part of the product
- Display panels containing up to three (3) pixel failures (dots that are dark or incorrectly illuminated) grouped in an area smaller than one tenth (1/10) of the display size or up to five (5) pixel failures throughout the display. (Pixel based displays may contain a limited number of pixels that may not function normally.)
- Failures or Damage caused by any contact including but not limited to liquids, gels or pastes.

REPAIR REPLACEMENT AS PROVIDED UNDER THIS WARRANTY IS YOUR EXCLUSIVE REMEDY FOR BREACH OF WARRANTY. INSIGNIA SHALL NOT BE LIABLE FOR ANY INCIDENTAL OR CONSEQUENTIAL DAMAGES FOR THE BREACH OF ANY EXPRESS OR IMPLIED WARRANTY ON THIS PRODUCT, INCLUDING, BUT NOT LIMITED TO, LOST DATA, LOSS OF USE OF YOUR PRODUCT, LOST BUSINESS OR LOST PROFITS. INSIGNIA PRODUCTS MAKES NO OTHER EXPRESS WARRANTIES WITH RESPECT TO THE PRODUCT, ALL EXPRESS AND IMPLIED WARRANTIES FOR THE PRODUCT, INCLUDING BUT NOT LIMITED TO ANY IMPLIED WARRANTIES OF AND CONDITIONS OF MERCHANTABILITY AND FITNESS FOR A PARTICULAR PURPOSE, ARE LIMITED IN DURATION TO THE WARRANTY PERIOD SET FORTH ABOVE AND NO WARRANTIES, WHETHER EXPRESS OR IMPLIED, WILL APPLY AFTER THE WARRANTY PERIOD. SOME STATES, PROVINCES AND JURISDICTIONS DO NOT ALLOW LIMITATIONS ON HOW LONG AN IMPLIED WARRANTY LASTS, SO THE ABOVE LIMITATION MAY NOT APPLY TO YOU. THIS WARRANTY GIVES YOU SPECIFIC LEGAL RIGHTS, AND YOU MAY ALSO HAVE OTHER RIGHTS, WHICH VARY FROM STATE TO STATE OR PROVINCE TO PROVINCE.

Contact Insignia:

1-877-467-4289

www.insigniaproducts.com

INSIGNIA is a trademark of Best Buy and its affiliated companies.

*Distributed by Best Buy Purchasing, LLC

7601 Penn Ave South, Richfield, MN 55423 U.S.A

©2022 Best Buy. All rights reserved.

INSIGNIA™

For product inquiries, please contact us with the information below:

1-877-467-4289

www.insigniaproducts.com

INSIGNIA is a trademark of Best Buy and its affiliated companies.

Distributed by Best Buy Purchasing, LLC

7601 Penn Ave South, Richfield, MN 55423 U.S.A.

©2022 Best Buy. All rights reserved.

V3 ENGLISH
22-0444

