



WASHER

Use & Care Guide

For assistance, installation or service,
call: 1-800-807-6777
or visit our website at...
www.inglis.ca

LAVEUSE

Guide d'utilisation et d'entretien

Pour assistance, installation ou service,
composez le 1-800-807-6777
ou visitez notre site web à
www.inglis.ca

Table of Contents/Table des matières 2

TABLE OF CONTENTS

WASHER SAFETY	3
INSTALLATION REQUIREMENTS	4
Tools and Parts	4
Options	4
Location Requirements	5
Electrical Requirements	6
INSTALLATION INSTRUCTIONS	6
Before You Start	6
Remove Transport System	6
Drain System	7
Connect Drain Hose	7
Connect the Inlet Hoses	8
Secure Drain Hose	9
Level the Washer	9
Complete Installation	9
WASHER USE	10
Starting Your Washer	10
Using the Proper Detergent	10
Using the Dispenser	11
Controls	12
Cycles	13
LAUNDRY TIPS	13
Loading	14
WASHER CARE	14
Cleaning Your Washer	14
Water Inlet Hoses	15
Vacation, Storage, and Moving Care	15
TROUBLESHOOTING	16
ASSISTANCE OR SERVICE	18
WARRANTY	19

TABLE DES MATIÈRES

SÉCURITÉ DE LA LAVEUSE	21
EXIGENCES D'INSTALLATION	22
Outillage et pièces	22
Options	22
Exigences d'emplacement	23
Spécifications électriques	24
INSTRUCTIONS D'INSTALLATION	25
Avant de commencer	25
Élimination des accessoires de transport	25
Système de vidange	25
Raccordement du tuyau d'évacuation	26
Raccordement des tuyaux d'alimentation	27
Immobilisation du tuyau de vidange	28
Réglage de l'aplomb de la laveuse	28
Achever l'installation	28
UTILISATION DE LA LAVEUSE	29
Mise en marche de la laveuse	29
Utilisation du détergent approprié	29
Utilisation du distributeur	30
Commandes	31
Programmes	32
CONSEILS DE LESSIVAGE	33
Chargement	33
ENTRETIEN DE LA LAVEUSE	34
Nettoyage de la laveuse	34
Robinets d'arrivée d'eau	35
Précautions à prendre avant les vacances, un entreposage ou un déménagement	35
DÉPANNAGE	36
ASSISTANCE OU SERVICE	38
GARANTIE	39

WASHER SAFETY

Your safety and the safety of others are very important.

We have provided many important safety messages in this manual and on your appliance. Always read and obey all safety messages.



This is the safety alert symbol.

This symbol alerts you to potential hazards that can kill or hurt you and others.

All safety messages will follow the safety alert symbol and either the word “DANGER” or “WARNING.” These words mean:

⚠ DANGER

You can be killed or seriously injured if you don't immediately follow instructions.

⚠ WARNING

You can be killed or seriously injured if you don't follow instructions.

All safety messages will tell you what the potential hazard is, tell you how to reduce the chance of injury, and tell you what can happen if the instructions are not followed.

IMPORTANT SAFETY INSTRUCTIONS

WARNING: To reduce the risk of fire, electric shock, or injury to persons when using the washer, follow basic precautions, including the following:

- Read all instructions before using the washer.
- Do not wash articles that have been previously cleaned in, washed in, soaked in, or spotted with gasoline, dry-cleaning solvents, other flammable, or explosive substances as they give off vapors that could ignite or explode.
- Do not add gasoline, dry-cleaning solvents, or other flammable, or explosive substances to the wash water. These substances give off vapors that could ignite or explode.
- Under certain conditions, hydrogen gas may be produced in a hot water system that has not been used for 2 weeks or more. **HYDROGEN GAS IS EXPLOSIVE.** If the hot water system has not been used for such a period, before using the washing machine, turn on all hot water faucets and let the water flow from each for several minutes. This will release any accumulated hydrogen gas. As the gas is flammable, do not smoke or use an open flame during this time.
- Do not allow children to play on or in the washer. Close supervision of children is necessary when the washer is used near children.
- Before the washer is removed from service or discarded, remove the door or lid.
- Do not reach into the washer if the drum, tub or agitator is moving.
- Do not install or store the washer where it will be exposed to the weather.
- Do not tamper with controls.
- Do not repair or replace any part of the washer or attempt any servicing unless specifically recommended in this manual or in published user-repair instructions that you understand and have the skills to carry out.
- See “Electrical Requirements” for grounding instructions.

SAVE THESE INSTRUCTIONS

INSTALLATION REQUIREMENTS

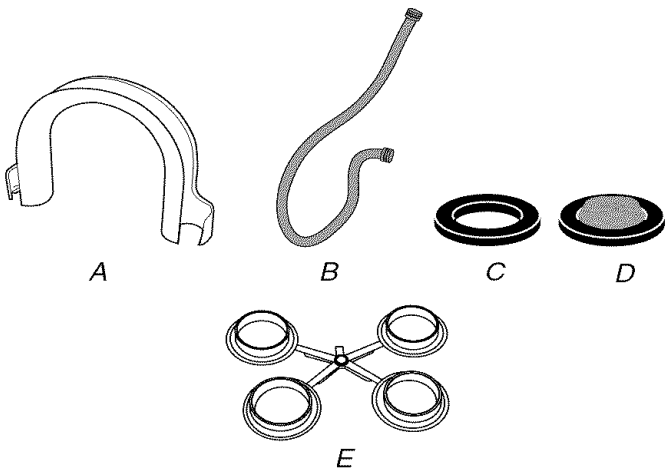
Tools and Parts

Gather the required tools and parts before starting installation. The parts supplied are in the washer basket.

Tools needed:

- Pliers that open to 1 $\frac{1}{16}$ " (3.95 cm)
- Flashlight (optional)
- Adjustable or open end wrenches, 10 mm and 14 mm
- Level
- Wood block
- Utility knife
- Measuring tape
- T-20 TORX^{®†} screwdriver
- Phillips screwdriver

Parts supplied:



- A. U-shaped hose form
- B. Water inlet hoses (2)
- C. Inlet hose flat washers (2)
- D. Filter washers (2)
- E. Spoke with 4 clear plastic plugs

Alternate Parts

Your installation may require additional parts. For ordering information, please refer to the "Assistance or Service" section of this manual.

If You Have:

You Will Need to Buy:

Laundry tub or standpipe taller than 72" (183 cm)

Sump pump system (if not already available)

1" (2.5 cm) diameter standpipe

2" (5 cm) diameter to 1" (2.5 cm) diameter standpipe adapter, Part Number 3363920

Overhead sewer

Standard 20 gal. (76 L) 39" (99 cm) tall drain tub or utility sink, sump pump and connectors (available from local plumbing suppliers)

Lint clogged drain

Drain protector, Part Number 367031

Water faucets beyond reach of fill hoses

2 longer water fill hoses: 6 ft (1.8 m) Part Number 76314, 10 ft (3.0 m) Part Number 350008

Must also order:

British to universal hose adapter, Part Number 3357451

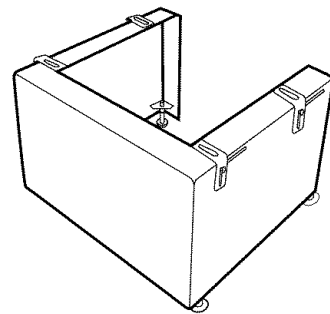
Installing new water inlet hoses

British to universal hose adapter, Part Number 3357451

Options

Pedestal

You may order a pedestal separately for this washer. This pedestal will add about 12" (30.48 cm) to the height of your washer for a total height of approximately 45" (114.3 cm).



Optional pedestal

To order, call the dealer from whom you purchased your washer or refer to the "Assistance or Service" section of this manual. Ask for Model Number LAB0050PQ.

Stack Kit

Are you planning to stack your washer and dryer? To do so you will need to purchase a Stack Kit.

To order, call the dealer from whom you purchased your washer or refer to the "Assistance or Service" section of this manual. Ask for Part Number 8182452.

†TORX is a registered trademark of Textron Innovations Inc.

Location Requirements

Selecting the proper location for your washer improves performance and minimizes noise and possible washer “walk.”

Your washer can be installed in a basement, laundry room, closet, or recessed area. See “Drain System.”

IMPORTANT: Do not install or store the washer where it will be exposed to the weather.

Proper installation is your responsibility.

You will need:

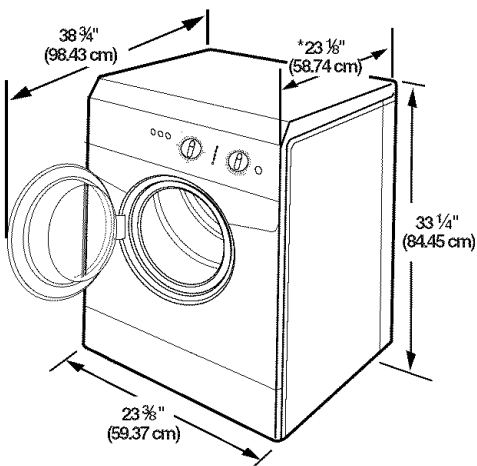
- A water heater set to deliver 120°F (49°C) water to the washer.
- A grounded electrical outlet located within 5 ft (1.5 m) of where the power cord is attached to the back of the washer. See “Electrical Requirements.”
- Hot and cold water faucets located within 3½ ft (1.1 m) of the hot and cold water fill valves, and water pressure of 20-100 psi (137.9-690 kPa).
- A level floor with a maximum slope of ¾" (1.9 cm) under entire washer. Installing the washer on carpeting is not recommended.
- A sturdy floor to support the washer weight (washer, water and load) of 260 lbs (118 kg).

Do not store or operate your washer in temperatures at or below 32°F (0°C). Some water can remain in the washer and can cause damage in low temperatures. See “Washer Care” for winterizing information.

Installation Clearances

The location must be large enough to allow the washer door to open fully.

Washer Dimensions



*Most installations require a minimum of 4" (10.16 cm) clearance behind the washer for drain hose clearance. See “Drain System.”

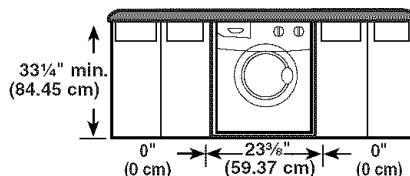
Installation spacing for recessed area and closet installation

The following spacing dimensions shown are recommended when the washer is to be operated with, or without, the Stack Kit. This washer has been tested for installation with spacing of 0" (0 cm) clearance on the sides, however, spacing of 1" (2.5 cm) clearance is recommended. Recommended spacing should be considered for the following reasons:

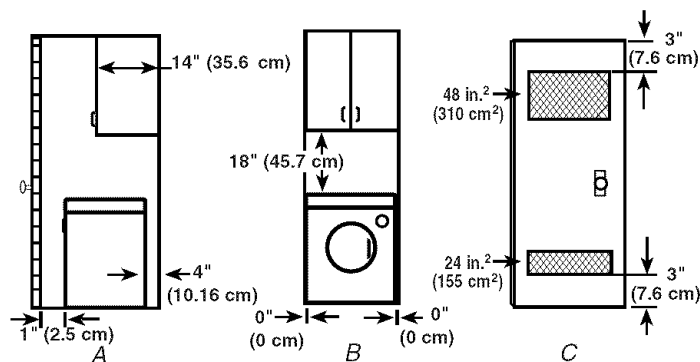
- Additional spacing should be considered for ease of installation and servicing.

- Additional clearances might be required for wall, door, and floor moldings.
- Additional spacing should be considered on all sides of the washer to reduce noise transfer.
- For closet installation with a door, minimum ventilation openings in the top and bottom of the door are required. Louvered doors with equivalent ventilation openings are acceptable.
- Companion appliance spacing should also be considered.

Custom undercounter installation - Washer only

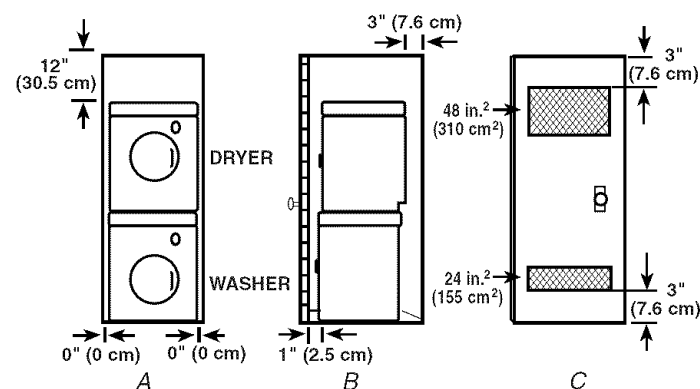


Recessed or closet installation - Washer only



A. Side view - closet or confined area
B. Recessed area
C. Closet door with vents

Recessed or closet installation - Stacked with stack kit (Accessory)



A. Recessed area
B. Side view - closet or confined area
C. Closet door with vents

Mobile Home - Additional Location Requirements

This washer is suitable for mobile home installations. The installation must conform to the Manufactured Home Construction and Safety Standard, Title 24 CFR, Part 3280 (formerly the Federal Standard for Mobile Home Construction and Safety, Title 245, HUD Part 280).

Electrical Requirements

⚠ WARNING



Electrical Shock Hazard

Plug into a grounded 3 prong outlet.

Do not remove ground prong.

Do not use an adapter.

Do not use an extension cord.

Failure to follow these instructions can result in death, fire, or electrical shock.

- A 120 volt, 60 Hz., AC only, 15- or 20-amp, fused electrical supply is required. A time-delay fuse or circuit breaker is recommended. It is recommended that a separate circuit serving only this appliance be provided.
- This washer is equipped with a power supply cord having a 3 prong grounding plug.
- To minimize possible shock hazard, the cord must be plugged into a mating, 3 prong, grounding-type outlet, grounded in accordance with local codes and ordinances. If a mating outlet is not available, it is the personal responsibility and obligation of the customer to have the properly grounded outlet installed by a qualified electrician.
- If codes permit and a separate ground wire is used, it is recommended that a qualified electrician determine that the ground path is adequate.

- Do not ground to a gas pipe.
- Check with a qualified electrician if you are not sure the washer is properly grounded.
- Do not have a fuse in the neutral or ground circuit.

GROUNDING INSTRUCTIONS

For a grounded, cord-connected washer:

This washer must be grounded. In the event of a malfunction or breakdown, grounding will reduce the risk of electrical shock by providing a path of least resistance for electric current. This washer is equipped with a cord having an equipment-grounding conductor and a grounding plug. The plug must be plugged into an appropriate outlet that is properly installed and grounded in accordance with all local codes and ordinances.

WARNING: Improper connection of the equipment-grounding conductor can result in a risk of electric shock. Check with a qualified electrician or serviceman if you are in doubt as to whether the appliance is properly grounded.

Do not modify the plug provided with the appliance – if it will not fit the outlet, have a proper outlet installed by a qualified electrician.

For a permanently connected washer:

This washer must be connected to a grounded metal, permanent wiring system, or an equipment grounding conductor must be run with the circuit conductors and connected to the equipment-grounding terminal or lead on the appliance.

INSTALLATION INSTRUCTIONS

Before You Start

⚠ WARNING

Excessive Weight Hazard

Use two or more people to move and install washer.

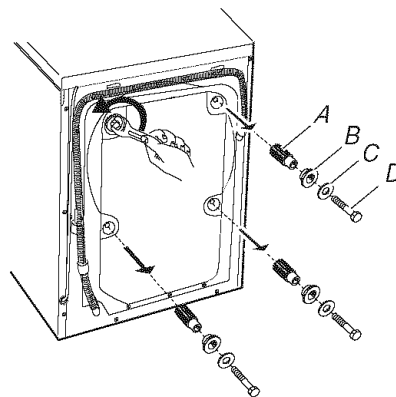
Failure to do so can result in back or other injury.

- Remove and discard all packing materials, including the foam packing and plastic support from under the washer.
- To avoid floor damage, set the washer onto cardboard before moving across floor.
IMPORTANT: Using 2 or more people, move the washer so that the rear of the washer is within approximately 3 ft (90 cm) of its final location.
- There are 4 bolts in the rear panel of the washer that support the suspension system during transportation. The washer will not operate properly until transport system is removed.

Remove Transport System

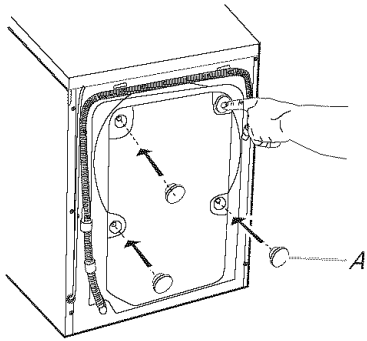
To install the machine, follow the steps below:

1. Using a 10 mm wrench, loosen each of the transport bolts.
2. Loosen the four transport bolts and remove them along with the plastic splined and rubber spacers.



A. Plastic splined spacers (4) C. Flat washers (4)
B. Rubber spacers (4) D. Transport bolts (4)

- Plug the holes with the 4 clear plastic plugs packed inside the parts bag.



A. Clear plastic plugs (4)

NOTE: If the washer is to be transported at a later date, call your local service center. To avoid suspension and structural damage, your machine must be properly set up for relocation by a certified technician.

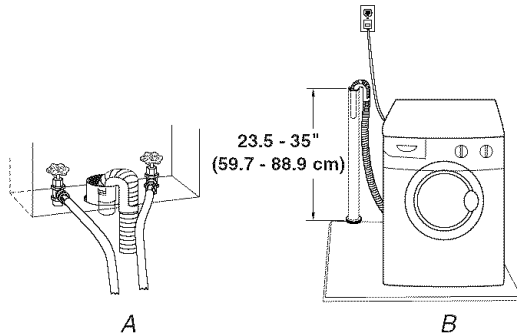
Drain System

The washer can be installed using the standpipe drain system (floor or wall), the laundry tub drain system, or the floor drain system. Select the drain hose installation method you need. See "Tools and Parts."

Standpipe drain system - wall or floor (views A & B)

The standpipe drain requires a minimum diameter standpipe of 2" (5 cm). The minimum carry-away capacity can be no less than 4.2 gal. (15.9 L) per minute. A 2" (5 cm) diameter to 1" (2.5 cm) diameter standpipe adapter kit is available. See "Tools and Parts."

The top of the standpipe must be at least 23.5" (59.7 cm) high and no higher than 72" (183 cm) from the bottom of the washer.



A

B

Laundry tub drain system (view C)

The laundry tub requires a minimum carry-away capacity of 4.2 gal. (15.9 L) per minute.

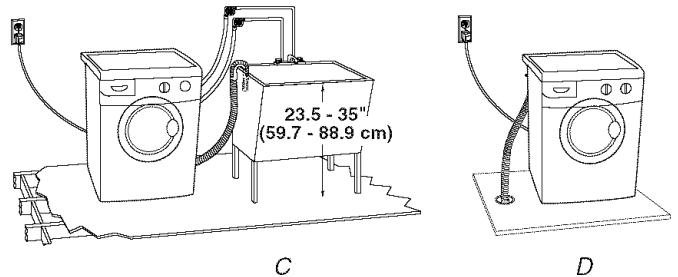
The top of the laundry tub must be at least 23.5" (59.7 cm) above the floor and no higher than 72" (183 cm) from the bottom of the washer.

Floor drain system (view D)

The floor drain system requires a siphon break that may be purchased separately. See "Tools and Parts."

The siphon break must be a minimum of 28" (71 cm) from the bottom of the washer. Additional hoses might be needed.

The minimum carry-away capacity can be no less than 4.2 gal. (15.9 L) per minute.



C

D

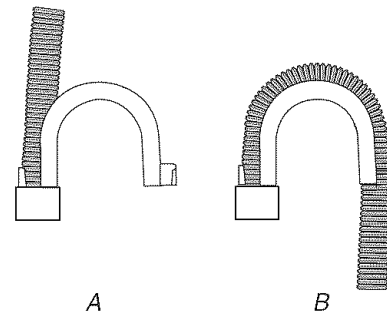
Connect Drain Hose

Proper connection of the drain hose will help protect your floors from damage due to water leakage. To keep the drain hose from coming off or leaking, it must be installed according to the following instructions.

IMPORTANT: To ensure proper installation, this procedure must be followed exactly.

For standpipe or laundry tub drain systems:

- Check the drain hose to see that it is the proper length.
- Install the U-shaped hose form to end of the drain hose to create a hook-shaped end as shown.



A

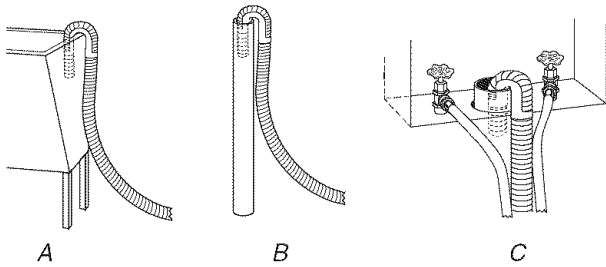
B

A. Snap either end of the U-shaped hose form to the drain hose at the point where the corrugation begins.

B. Bend drain hose over the form and snap into place.

- Put hooked end of drain hose into laundry tub or standpipe. See illustrations A and B.

If the washer faucets and the drain standpipe are recessed, put the hooked end of the drain hose in the standpipe as shown. See illustration C.



To keep drain water from going back into the washer:

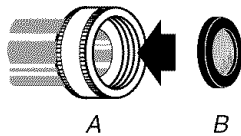
- Do not straighten hooked end of drain hose. Do not force excess drain hose into standpipe. Hose should be secure, but loose enough to provide a gap of air.

NOTE: To avoid siphoning, do not seal the drain hose to the standpipe.

- Do not lay excess drain hose in bottom of laundry tub.
- Do not force excess drain hose back into the rear of the washer.
- For floor drain installation, see kit number required under "Tools and Parts."

Connect the Inlet Hoses

There are two hoses provided with the machine. The hot water hose is indicated with a red stripe running the length of the hose. Insert new filter washers (supplied) into the straight hose fitting of each inlet hose. Firmly seat the washers in the couplings.



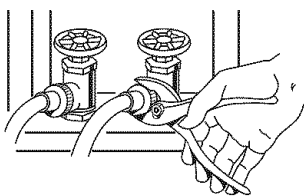
A. Coupling
B. Filter washer

Connect the inlet hoses to the water faucets

Make sure the washer basket is empty.

- Attach the hose with the red stripe to the hot water faucet. Screw on coupling by hand until it is seated on the washer.
- Attach the other hose to the cold water faucet. Screw on coupling by hand until it is seated on the filter washer.
- Using pliers, tighten the couplings with an additional two-thirds turn.

NOTE: Do not overtighten. Damage to the valves can result.

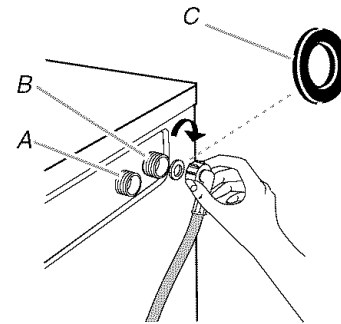


Clear the water lines

Run water through both faucets and inlet hoses, into a bucket or laundry tub, to get rid of particles in the water lines that might clog the inlet filter washers. The water should be clean, especially where the system is new or has been left unused for a length of time.

Connect the inlet hoses to the washer

- Insert the flat washer (supplied) into the coupling of the hose fitting elbow, before connecting the water inlet hose to the valve on the back of the washer.



A. Cold water inlet valve
B. Hot water inlet valve
C. Flat washer

- Attach the hose with the red stripe to the HOT (right) inlet valve on the washer. Screw on coupling by hand until it is seated on the flat washer. Make sure the hose connection is tight.

NOTE: Do not overtighten. Damage to the valves can result.

- Attach the other hose to the COLD water (left) inlet valve. Screw on coupling by hand until it is seated on the flat washer. Make sure the hose connection is tight.

NOTE: Do not overtighten. Damage to the valves can result.

Check for leaks

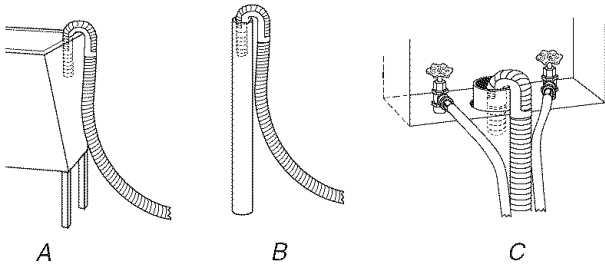
Turn on the water faucets and check for leaks. A small amount of water might enter the washer. You will drain this later.

NOTE: Replace inlet hoses after 5 years of use to reduce the risk of hose failure. Record hose installation or replacement dates for future reference.

- Periodically inspect and replace hoses if bulges, kinks, cuts, wear, or leaks are found.

Secure Drain Hose

1. Drape the power cord over the console.
2. Move the washer to its final location and remove any cardboard used to move washer.
3. Place the drain hose in the laundry tub or standpipe as shown. See illustrations A and B.



4. If the washer faucets and the drain standpipe are recessed, put the hooked end of the drain hose in the standpipe as shown. See illustration C.

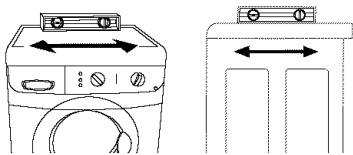
NOTE:

- Do not force excess drain hose back into the rear of the washer.
- To avoid siphoning, do not seal the drain hose into the standpipe.

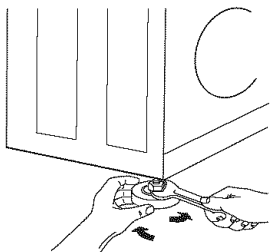
Level the Washer

Properly leveling your washer avoids excessive noise and vibration.

1. Drape the power cord over the console.
2. Move washer to its final location. Remove any cardboard used to move washer.
3. Check that the washer is level.
 - Check side to side and back to front by lining up the level as shown in the following illustration.



4. If the washer is not level, prop up the front of the washer with the wood block and adjust the feet up or down as necessary. If the washer is against a wall, move the washer out slightly before tipping back. Repeat this step until washer is level.



Complete Installation

1. Check the electrical requirements. Be sure that you have the correct electrical supply and the recommended grounding method. See "Electrical Requirements."
2. Check that all parts are now installed. If there is an extra part, go back through the steps to see which step was skipped.
3. Check that you have all of your tools.
4. Dispose of/recycle all packaging materials. Keep the shipping bolts, and spacers for use if the washer should be transported.
5. Check that all the water faucets are completely on.
6. Check for leaks around faucets and inlet hoses.

⚠ WARNING



Electrical Shock Hazard

Plug into a grounded 3 prong outlet.

Do not remove ground prong.

Do not use an adapter.

Do not use an extension cord.

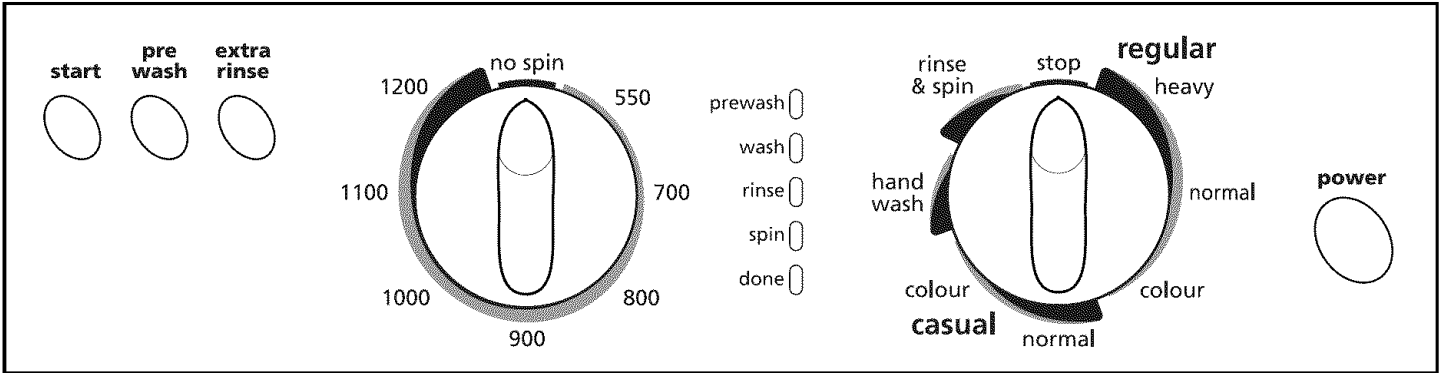
Failure to follow these instructions can result in death, fire, or electrical shock.

7. Plug into a grounded 3 prong outlet.
8. Read "Washer Use."
9. To test and to clean your washer, measure and add $\frac{1}{2}$ the normal recommended amount of High Efficiency (HE) detergent to the washer. Close the door. Select any cycle, and then press START. Allow it to complete one whole cycle.



Use only HE High Efficiency detergent.

WASHER USE



Starting Your Washer

⚠ WARNING



Fire Hazard

Never place items in the washer that are dampened with gasoline or other flammable fluids.

No washer can completely remove oil.

Do not dry anything that has ever had any type of oil on it (including cooking oils).

Doing so can result in death, explosion, or fire.

WARNING: To reduce the risk of fire, electric shock, or injury to persons, read the IMPORTANT SAFETY INSTRUCTIONS before operating this appliance.

The following is a guide to using your washer. Please refer to specific sections of this manual for more detailed information.

Do not store laundry products on the top surface of this washer. Vibration is normal during operation.

Using the Proper Detergent

Use only High Efficiency detergents. The package for this type of detergent will be marked "HE" or "High Efficiency." This wash system, along with less water, will create too much sudsing with a regular non-HE detergent. Using regular detergent will likely result in washer errors, longer cycle times, and reduced rinsing performance. It may also result in component failures and noticeable mold or mildew odors. HE detergents are made to produce the right amount of suds for the best performance. Follow the manufacturer's instructions to determine the amount of HE detergent to use.



Use only HE High Efficiency detergent.

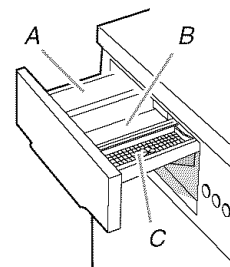
First Wash Cycle Without Laundry

To clean the interior of the washer before washing clothes for the first time, select the Regular/Normal cycle and run the washer without clothes. Use ½ the normal recommended amount of powdered or liquid HE detergent.

For All Wash Cycles

- To load washer, open the washer door by pulling on the handle. Sort laundry according to color and type of fabric. Place a load of sorted clothes in the washer. Do not overload washer. Overloading can cause poor cleaning.
 - The washer can be fully loaded, but not tightly packed. Washer door should close easily.
 - Mix large and small items and avoid washing single items. Load evenly.
 - Wash small items, such as infant socks, in mesh garment bags. It is recommended that more than one garment bag be used, and that each garment bag be filled with equal amounts of material.
 - When unloading garments, occasionally check under the gray seal/bellow between the door opening and the basket for small items.
- Close the washer door by pushing it firmly until the lock clicks. The washer door will remain locked during the wash cycle.
- Open the dispenser drawer and add laundry products to the detergent or fabric softener compartments. Close drawer slowly to avoid spills. See "Using the Dispenser."

IMPORTANT: Direct contact of chlorine bleach with clothing can cause fabric damage. If you need extra whitening, use an HE powdered detergent with bleach additive.



A. Pre Wash detergent compartment
B. Main Wash detergent compartment
C. Fabric softener compartment

NOTES:

- Use only HE detergents and follow label instructions.
 - Do not add detergent to the Pre Wash compartment unless you have selected the Pre Wash option. If you have detergent in both the Pre Wash and Main Wash compartments, and have not selected a Pre Wash option, the washer could oversuds. Suds could spill onto the floor.
 - If you select the Pre Wash option, use powdered HE detergent in the Main Wash compartment. If you use liquid HE detergent in the Main Wash compartment, it will dispense immediately.
 - Close the detergent drawer securely.
- IMPORTANT:** To avoid a water spill, do not open the detergent drawer while the machine is operating.
4. Turn on the washer by selecting POWER.
 5. Select one of the cycles by turning the cycle selector. The preset settings provide the recommended fabric care for the selected cycle. See “Cycles.”
 6. Select the desired options. Not all options are available with all cycles. See “Cycles.”
 7. To begin the wash cycle, select START.
 - When the wash cycle is complete, the DONE status light glows, the door unlocks, and the wash load can be removed from the washer. To power down the washer manually after the wash cycle is complete, press POWER once.

Using the Dispenser

Your new washer has a dispenser drawer with three separate compartments for your laundry products—two are for detergent, and one is for liquid fabric softener. Laundry products are diluted and dispensed automatically at the proper time during the wash cycle, making it unnecessary for you to return to the washer during the cycle to add them.

It is normal for small amounts of water to remain in the dispensers when the wash cycle is complete.

Do not put laundry additives directly into the wash tub. Always use the proper dispensers when adding laundry products.

Choosing the Right Detergent

Use only High Efficiency detergents. The package for this type of detergent will be marked “HE” or “High Efficiency.” This wash system, along with less water, will create too much sudsing with a regular non-HE detergent. Using regular detergent will likely result in washer errors, longer cycle times and reduced rinsing performance. It may also result in component failures and noticeable mold or mildew odors. HE detergents are made to produce the right amount of suds for the best performance. Follow the manufacturer’s instructions to determine the amount of HE detergent to use.

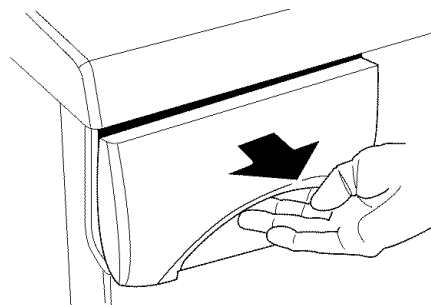


Use only HE High Efficiency detergent.

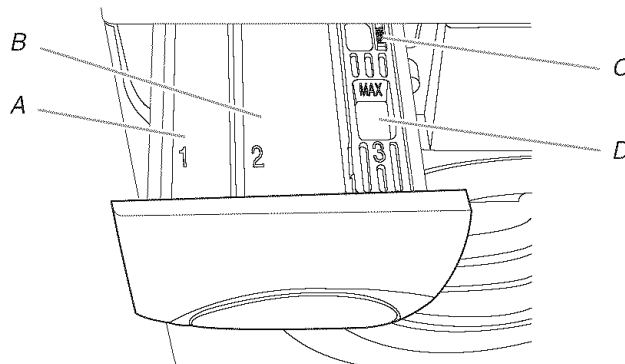
To fill dispenser compartments

NOTE: Always use the detergent dispenser, and do not put detergent directly onto clothes in the washer.

1. Pull out the dispenser drawer.



2. Add the desired laundry product to the proper compartment.
3. Push in the dispenser drawer slowly and completely (to avoid spills).



Dispenser

- A. Pre Wash detergent compartment
- B. Main Wash detergent compartment
- C. Dispenser drawer release lever
- D. Fabric softener compartment

Pre Wash detergent compartment

(Letter A in Dispenser Illustration)

Add HE detergent to this compartment when using the Pre Wash option. Liquid or powdered HE detergent may be used in this compartment. The detergent will automatically be dispensed during Pre Wash if the Pre Wash option is selected.

- Using HE detergent, add $\frac{1}{3}$ the recommended amount to the Pre Wash compartment and $\frac{2}{3}$ the recommended amount to the Main Wash compartment.

IMPORTANT: If you are using the Pre Wash option, powdered HE detergent must be used in the Main Wash compartment, since liquid detergents may seep out of the Main Wash compartment before the main wash begins.

Main Wash detergent compartment

(Letter B in Dispenser Illustration)

Add liquid or powdered HE detergent to this compartment for your main wash cycle.

IMPORTANT: If you are using the Pre Wash option, powdered HE detergent must be used in the Main Wash compartment, since liquid detergents may seep out of the Main Wash compartment before the main wash begins.

Fabric Softener compartment

(Letter D in Dispenser Illustration)

Add $\frac{1}{4}$ cup (60 mL) liquid fabric softener to this compartment. Fabric softener will be automatically dispensed in the final rinse.

- Do not fill beyond the “MAX” level.

Controls

The control panel is simple to understand and easy to operate. The illustration below defines the knobs and buttons, and the paragraphs define the purpose of each.

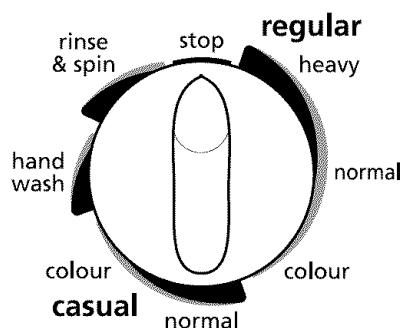
Power

This button switches the power to the machine on and off. After POWER is pressed, the START button will flash.



Cycle Knob

Turn this knob to the desired cycle. The table in the “Cycles” section defines each cycle in detail, so you can determine which cycle is best for each type of load.



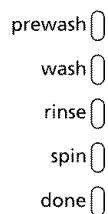
Stop Position

If you turn the Cycle Knob to Stop to interrupt a cycle to add an item or to cancel a cycle, there will be a 2-minute delay before the door lock will release and you can open the door. To restart the machine, you will have to reposition the Cycle Knob and press the START button.

NOTE: Before the cycle will start, the machine will drain any water already in the machine. Before you press START, it is a good idea to make sure you do not need to add more detergent.

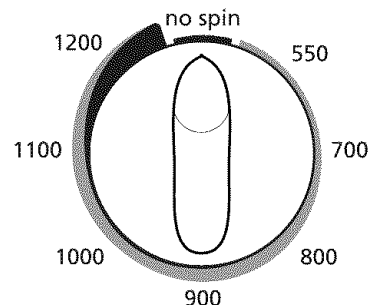
Status Lights

As the cycle progresses, the light for the cycle in progress will glow. The done indicator light glows when the cycle is complete. At this point, there will be a 2-minute delay before the door lock will release and you can open the door.



Spin Speed Knob

Use this knob to set the spin speed. In addition to spin speeds ranging from 550 up to 1200, there is also a No Spin option. This is for delicate fabrics that should not be spun dry.



Extra Rinse Button

This button sets the cycle to add more rinsing. The button will glow when this option is on. See “Cycles” for an explanation of whether the rinse cycle can be added to each cycle. The regular rinse cycle is usually sufficient, but if you live in an area with very soft water or you have skin sensitivity to detergent, you may want to use this option. This option is not available with Rinse & Spin.



Pre Wash

Press this button to select a Pre Wash. This is recommended only for heavily soiled items. The button will glow when this option is on. If you use Pre Wash, be sure to put detergent in the Pre Wash compartment of the detergent drawer.



NOTE: Pre Wash cannot be selected for the Hand Wash or Rinse & Spin cycles.

Start Button

After you have selected a cycle and options (Pre Wash or Extra Rinse), press this button to start the cycle. The button will glow.

NOTE: A short time delay, up to a few minutes, may occur before the wash cycle begins. This is a normal function of this washer.



Cycles

The table below defines each wash cycle in detail to help you determine which cycle is best for each type of load.

Cycles	Temp	Soil Level	Fabrics	Cycle Descriptions	Maximum Spin Speed (1)	Options Available	
						Pre Wash	Extra Rinse
REGULAR							
Heavy	Hot	Heavy	Cottons, linens, blends, synthetics	Main wash, 3 rinses, Drain & Spin	1200	Yes	Yes
Normal	Warm	Heavy	Cottons, linens, blends, synthetics	Main wash, 2 rinses, Drain & Spin	1200	Yes	Yes
Colour	Cold	Light	Cottons, linens, blends, synthetics	Main wash, 2 rinses, Drain & Spin	1200	Yes	Yes
CASUAL							
Normal	Warm	Light	Cottons, linens, blends, synthetics	Main wash, 2 rinses, Drain & Spin	1200	Yes	Yes
Colour	Cold	Light	Cottons, linens, blends, synthetics	Main wash, 2 rinses, Drain & Spin	1200	Yes	Yes
Hand Wash (2)	Warm	Light	Machine-washable wool, silk, nylon	High-water level wash, 3 rinses, drain, gentle spin	800	N/A	Yes
Rinse & Spin	Cold	N/A	All	3 fills, 3 drains, 3 tumbles, 1 spin	Selectable	N/A	N/A

NOTES:

1. These are suggested spin speeds.
2. The Hand Wash cycle has a maximum spin speed up to 800 RPM to eliminate stress on delicate fabrics.

LAUNDRY TIPS

Preparing clothes for washing

Follow these recommendations to help you prolong the life of your garments.

- Use only High Efficiency detergents. The package for this type of detergent will be marked "HE" or "High Efficiency." This wash system, along with less water, will create too much sudsing with a regular non-HE detergent. Using regular detergent will likely result in washer errors, longer cycle times and reduced rinsing performance. It may also result in component failures and noticeable mold or mildew. HE detergents are made to produce the right amount of suds for the best performance. Follow the manufacturer's instructions to determine the amount of detergent to use.



Use only HE High Efficiency detergent.

- To increase performance of this low-water washer, shake out sand, dirt, and other matter before placing clothes and other items into the washer.
- Close zippers, snaps, and hooks to avoid snagging other items. Remove pins, buckles, and other hard objects to avoid scratching the washer interior. Remove non-washable trim and ornaments.
- Empty pockets and turn them inside-out.
- Turn down cuffs; brush away lint and dirt.
- Turn synthetic knits inside-out to avoid pilling.
- Tie strings and sashes so they will not tangle.
- Mend tears, loose hems, and seams.
- Treat spots and stains.
- Stained or wet garments should be washed promptly for best results.
- Mix large and small items, avoid washing single items, and load evenly.

- Use mesh garment bags to wash undergarments such as underwire bras, items with strings, and small items such as infant socks. It is recommended that more than one garment bag be used, and that each garment bag be filled with equal amounts of material.

Sorting

- Separate heavily soiled items from lightly soiled ones, even if they would normally be washed together. Separate lint-givers (towels, chenille) from lint-takers (corduroy, synthetics, permanent press). When possible, turn lint-givers inside-out.
- Separate dark colors from light colors, colorfast items from noncolorfast items.
- Sort by fabric and construction (sturdy cottons, knits, delicate items).

Unloading

- Remove clothes from washer after the cycle is completed. Metal objects such as zippers, snaps, and buckles may rust if left in the washer basket for a long time.
- When unloading garments, occasionally check under the gray seal/bellow between the door opening and the basket for small items.

Loading

Loading suggestions (maximum size loads)

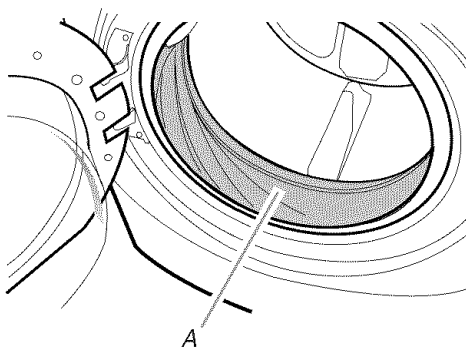
Heavy Work Clothes	Towels
3 jeans	8 bath towels
2 work pants	8 hand towels
3 work shirts	10 washcloths
Permanent Press	Mixed Load
1 double sheet	1 double sheet or twin
1 dress	4 pillowcases
1 blouse	2 shirts
2 slacks	2 blouses
3 shirts	6 T-shirts
6 handkerchiefs	6 shorts
	6 handkerchiefs
Knits	Delicates
1 pant	1 camisoles
2 blouses	4 slips
4 shirts	6 undergarments
4 tops	1 set of sleepwear
2 dresses	

WASHER CARE

Cleaning Your Washer

Cleaning the door seal

1. Open the washer door and remove any clothing or items from the washer.
2. Inspect the gray seal/bellow between the door opening and the basket for stained areas. Pull back the seal/bellow to inspect all areas under the seal/bellow and to check for foreign objects.



A. Seal/Bellow

3. If stained areas are found, wipe down these areas of the seal/bellows, using the procedure that follows.
 - a) Mix a dilute solution, using $\frac{3}{4}$ cup (177.4 mL) of liquid chlorine bleach, and 1 gal. (3.8 L) of warm tap water.
 - b) Wipe the seal/bellow area with the dilute solution, using a damp cloth.

- c) Let stand 5 minutes.
- d) Wipe down area thoroughly with a dry cloth and let the washer interior air dry with door open.

IMPORTANT:

- Wear rubber gloves when cleaning for prolonged periods.
- Refer to the bleach manufacturer's instructions for proper use.

Cleaning the interior

Use the following procedure without any clothing. Your washer interior should be cleaned at least once per month to reduce or avert any accumulation of mold or mildew odors.

1. Remove any clothing or items from the washer.
2. Open the dispenser drawer and add liquid chlorine bleach into the Main Wash detergent compartment.

NOTE: Use 1 cup (236.6 mL) for first time cleaning. Use $\frac{1}{3}$ cup (78.8 mL) for monthly maintenance.
3. Select and run the Regular/Heavy soil cycle using hot water. Repeat this process if necessary.
4. After cleaning, leave the washer door open slightly to allow for better ventilation and drying of washer interior.

NOTE: To remove hard water deposits, use only cleaners labeled for washer use.

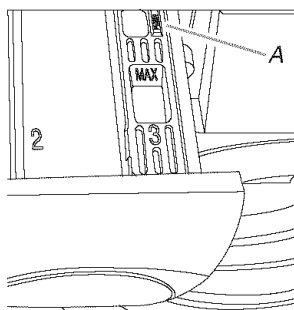
Cleaning the exterior

Use a soft damp cloth or sponge to wipe up any spills. Occasionally wipe the outside of your washer to keep it looking new. Use mild soap and water. Do not use abrasive products.

Cleaning the dispenser drawer

The dispenser drawer is removable for easy cleaning.

1. Open the dispenser drawer. Unlock the dispenser drawer by pressing on the plastic part of the softener compartment marked "PUSH." (Letter A in dispenser illustration.)



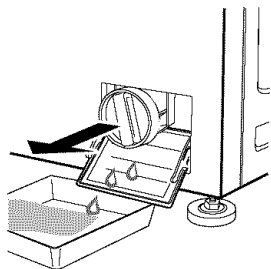
A. Dispenser drawer release

2. Remove the drawer.
3. To avoid damage to the finish, do not clean the drawer with cleaning solvents or abrasive cleansers.
4. Replace the dispenser drawer in the washer.

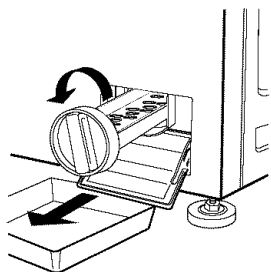
Cleaning the lint filter

The lint filter should be cleaned about once a month. Make sure the washer is not running before opening the filter door.

1. Place a pan or towel under the filter door, since a small amount of water could spill. Open the filter door.

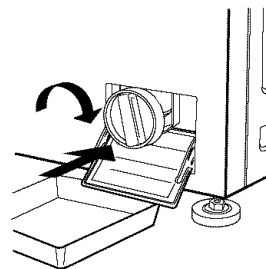


2. Remove the filter by rotating it a half-turn counterclockwise and pulling outward.



3. Clean the filter with a soft brush under running water until all residue is removed.

4. Replace the filter and turn it clockwise until it is securely locked in place. Give the cap a gentle tug to confirm that the filter is secure.



5. Close the filter door.

Cleaning the control panel

To clean the control panel, use only a warm, damp cloth.

- Do not spray water or cleaning solvents on the control panel.
- Do not use abrasive cleaners or scouring pads on the outer surfaces because they will scratch the finish and could remove the writing on the control panel.
- Some paper towels may also scratch the finish.

Water Inlet Hoses

Replace inlet hoses after 5 years of use to reduce the risk of hose failure. Periodically inspect and replace inlet hoses if bulges, kinks, cuts, wear or leaks are found.

When replacing your inlet hoses, record the date of replacement.

Vacation, Storage, and Moving Care

Install and store your washer where it will not freeze. Because some water may stay in the hoses, freezing can damage your washer. If storing or moving your washer during freezing weather, winterize it.

Non-use or vacation care:

Operate your washer only when you are at home. If you will be on vacation or not using your washer for an extended period of time, you should:

- Unplug washer or disconnect power.
- Turn off the water supply to the washer. This helps avoid accidental flooding (due to a water pressure surge) while you are away.
- Slightly open door to provide ventilation.

To winterize washer:

1. Unplug washer or disconnect power.
2. Shut off both water faucets.
3. Disconnect water inlet hoses from faucets.
4. Place a pan or towel under the filter door, as a small amount of water could spill. Open the filter door and remove the lint filter to drain. See "Cleaning the lint filter" in the "Cleaning Your Washer" section.
5. Reinstall the lint filter and close the filter door.

To use washer again:

1. Flush water pipes. Reconnect water inlet hoses to faucets. Turn on both water faucets.

⚠ WARNING



Electrical Shock Hazard

Plug into a grounded 3 prong outlet.

Do not remove ground prong.

Do not use an adapter.

Do not use an extension cord.

Failure to follow these instructions can result in death, fire, or electrical shock.

2. Plug in washer or reconnect power.
3. Run the washer through the Regular/Normal cycle with $\frac{1}{4}$ the normal recommended amount of HE detergent to clean out antifreeze.

To transport the washer:

1. Unplug washer or disconnect power.
2. Remove drain hose from the standpipe or laundry tub. Attach the drain hose to the rear panel clips.
3. Shut off both water faucets.
4. Disconnect the water inlet hoses from faucets and rear of washer. Drain the hoses and place them inside the washer drum.
5. Place a pan or towel under the filter door, as a small amount of water could spill. Open the filter door and remove the lint filter to drain. See "Cleaning the lint filter" in the "Cleaning Your Washer" section.
6. Reinstall the lint filter and close the filter door.

IMPORTANT: Call your local service center for assistance. Transport bolts should be installed prior to moving. The washer must be transported in the upright position to avoid suspension and structural damage.

Reinstalling the washer:

1. Follow the "Installation Instructions" to locate, level and connect the washer.
2. Run the washer through the Regular/Normal cycle with $\frac{1}{4}$ the normal recommended amount of HE detergent to clean the washer and remove the antifreeze, if used.

TROUBLESHOOTING

First try the solutions suggested here to possibly avoid the cost of a service call...

Washer odor

- **Do you use High Efficiency (HE) detergent?**
Use only High Efficiency (HE) detergent in this washer.
- **Have you cleaned the washer interior using the recommended procedure?** Your washer interior should be cleaned at least once per month to reduce or avoid any accumulation of mold or mildew odors. See "Washer Care" for interior cleaning procedure.
- Inspect the interior of the washer for lint and other debris that may accumulate on the basket and rubber bellows. Remove and dispose of any accumulation as necessary.
- Leave the washer door open between cycles to allow the washer interior to dry out.

Washer won't start

⚠ WARNING



Electrical Shock Hazard

Plug into a grounded 3 prong outlet.

Do not remove ground prong.

Do not use an adapter.

Do not use an extension cord.

Failure to follow these instructions can result in death, fire, or electrical shock.

- **Check the following:**
 - Is the power cord plugged into a grounded 3 prong outlet?
 - Is the washer door firmly closed?
 - Has a cycle been selected, but START has not been pressed?
 - Was the door open after completion of last cycle?

Washer won't fill, wash or rinse

- **Check the following:**
Is the power cord plugged into a grounded 3 prong outlet?
Is there power at the plug? Check electrical source or call an electrician.
Are the hot and cold water faucets turned on?
Is the water inlet hose kinked?
Are the water inlet valve screens clogged?

Washer stops

- **Check the following:**
Is the power cord plugged into a grounded 3 prong outlet?
Is there power at the plug?
Check electrical source or call an electrician.
Has a household fuse blown, or has a circuit breaker tripped?
Replace the fuse or reset the circuit breaker. If the problem continues, call an electrician.
Are you using an extension cord?
Do not use an extension cord.

Washer won't drain or spin

- **Is the drain hose clogged, or the end of the drain hose more than 35" (88.9 cm) above the floor?**
- **Is your voltage low?**
Check electrical source or call an electrician. Do not use an extension cord.
- **Is the load balanced?**
A single or bulky item may cause imbalance. Add more items or redistribute the load.

Washer makes noise or vibrates

- As water is drained from the washer, you may hear air being pulled through the pump. This happens during the end of draining. It is normal.
- **Is the washer level?**
The washer must be level. The four feet should be properly installed, and the nuts should be tightened against the washer cabinet.
- **Did you remove the transport bolts?**
Make sure four bolts have been removed. See the "Installation Instructions."
- **Are you washing items with metal snaps, buckles or zippers?**
You may hear metal items touching the washer drum. This is normal.
- **Is washer installed on a sturdy and solid floor?**
Refer to the "Installation Requirements" for flooring requirements. Noise and vibration may be reduced by placing a piece of ¾" (19.1 mm) plywood underneath your washer. The plywood may extend underneath both washer and dryer to keep them at equal heights.

Washer leaks

- **Check household plumbing for leaks.**

Dispensers clogged or leaking

- **Are the laundry products in the correct dispenser compartment?**
Add the correct amounts of HE detergent or fabric softener to the correct compartments.

Load too wet

- **Did you use the right cycle for the load being washed?**
Select a higher spin speed.
- **Did you wash a single item or bulky items or have you overloaded the washer?**
A single item, bulky items, or overloading may cause imbalance. Add items or try to evenly distribute your wet laundry in the drum, and select a Rinse & Spin cycle. If the laundry is still wet, take half of the load out of the washer and run this cycle again.

Residue or lint on load

- **Did you add detergent to the dispenser?**
For best results, add detergent to the detergent compartment. Do not add detergent to the washer drum.
- **Did you sort properly?**
Sort lint givers (towels, chenille) from lint takers (corduroy, synthetics). Also, sort by color.
- **Did you overload the washer?**
Do not overload the washer. The washer can be fully loaded, but not tightly packed. The wash load must be balanced. Lint can be trapped in the load if overloaded.
- **Check the following:**
Was paper or tissue left in pockets?
- **Did you use enough HE detergent?**
Use only HE or High Efficiency detergent. Follow detergent manufacturer's recommendations for the type of load you are washing.
- **Is your water colder than 60°F (15.6°C)?**
Wash water colder than 60°F (15.6°C) may not completely dissolve powdered detergent.
- **Are you using a low speed wash cycle?**
Powdered detergents may not dissolve well in a slow-speed cycle. For best results, use liquid detergent for slow-speed cycles such as Hand Wash.

Stains on load

- **Did you add detergent to the dispenser?**
For best results, add detergent to the detergent compartment. Do not add detergent to the washer drum.
- **Did you use enough HE detergent?**
Use only HE or High Efficiency detergent. Follow detergent manufacturer's recommendations for the type of load you are washing.
- **Is there above average iron (rust) in water?**
You may need to install an iron filter.
- **Did you properly sort the load?**
Sort dark clothes from whites and lights.

- **Did you unload the washer promptly?**
To avoid dye transfer, unload the washer as soon as it stops.
- **Did you use a fabric softener dispensing ball?**
Dispensing balls will not operate correctly with this washer. Add liquid fabric softener to the fabric softener compartment.
- **Did you use powdered detergent in a low-speed cycle?**
Powdered detergents may not dissolve well in a slow-speed cycle. For best results, use liquid detergent for slow-speed cycles such as Hand Wash.

Load is wrinkled

- **Did you unload the washer promptly?**
Unload the washer as soon as it stops.
- **Did you use the right cycle for the load being washed?**
Use the Hand Wash cycle or another cycle with a low spin speed to reduce wrinkling.
- **Did you overload the washer?**
The wash load must be balanced and not overloaded. Loads should tumble freely during washing.

Gray whites, dingy colors

- **Did you properly sort the load?**
Dye transfer can occur when mixing whites and colors in a load. Sort dark clothes from whites and lights.

- **Was the wash temperature too low?**
Use hot or warm washes if safe for the load. Make sure your hot water system is adequate to provide a hot water wash.
- **Did you use enough detergent, or do you have hard water?**
Use more detergent for washing heavy soils in cold or hard water.

Cycle too long

- **Did you select the Hand Wash wash cycle?**
When using the Hand Wash cycle, you should use small loads. This ensures a gentle wash for your garments without increasing cycle times.
- **Did you wash a large load using a gentle cycle?**
When using the Hand Wash cycle, use small loads. This ensures a gentle wash for your garments without increasing cycle times.

Door locked at end of wash cycle

- **Did all of the water drain out of the washer during the spin?**
Select Rinse & Spin to remove any water remaining in the washer. The washer door will unlock 2 minutes after the end of Spin.
- **Did you attempt to open the door immediately after the washer stopped?**
There is a 2-minute delay at the end of the cycle, before you can open the door. This is normal.

ASSISTANCE OR SERVICE

Before calling for assistance or service, please check "Troubleshooting." It may save you the cost of a service call. If you still need help, follow the instructions below.

When calling, please know the purchase date and the complete model and serial number of your appliance. This information will help us to better respond to your request.

If you need replacement parts

If you need to order replacement parts, we recommend that you use only factory specified parts. These parts will fit right and work right because they are made with the same precision used to build every new INGLIS® appliance.

To locate replacement parts in your area, call **1-800-807-6777**, or your nearest designated service center.

Our consultants provide assistance with:

- Features and specifications on our full line of appliances.
- Use and maintenance procedures.
- Accessory and repair parts sales.
- Referrals to local dealers, repair parts distributors, and service companies. Whirlpool Canada LP designated service technicians are trained to fulfill the product warranty and provide after-warranty service anywhere in Canada.

For further assistance

If you need further assistance, you can write to Whirlpool Canada LP with any questions or concerns at:

Customer Interaction Centre
Whirlpool Canada LP
1901 Minnesota Court
Mississauga, Ontario L5N 3A7

Please include a daytime phone number in your correspondence.

INGLIS® MAJOR APPLIANCE WARRANTY

ONE YEAR LIMITED WARRANTY

For one year from the date of purchase, when this major appliance is operated and maintained according to instructions attached to or furnished with the product, Whirlpool Canada LP (hereafter "Whirlpool") will pay for factory specification replacement parts and repair labor to correct defects in materials or workmanship. Service must be provided by a Whirlpool designated service company.

ITEMS WHIRLPOOL WILL NOT PAY FOR

1. Service calls to correct the installation of your major appliance, to instruct you how to use your major appliance, to replace or repair house fuses or to correct house wiring or plumbing.
 2. Service calls to repair or replace appliance light bulbs, air filters or water filters. Those consumable parts are excluded from warranty coverage.
 3. Repairs when your major appliance is used for other than normal, single-family household use.
 4. Damage resulting from accident, alteration, misuse, abuse, fire, flood, acts of God, improper installation, installation not in accordance with electrical or plumbing codes, or use of products not approved by Whirlpool.
 5. Any food loss due to refrigerator or freezer product failures.
 6. Replacement parts or repair labor costs for units operated outside Canada.
 7. Pickup and delivery. This major appliance is designed to be repaired in the home.
 8. Repairs to parts or systems resulting from unauthorized modifications made to the appliance.
 9. Expenses for travel and transportation for product service in remote locations.
 10. The removal and reinstallation of your appliance if it is installed in an inaccessible location or is not installed in accordance with published installation instructions.
-

DISCLAIMER OF IMPLIED WARRANTIES; LIMITATION OF REMEDIES

CUSTOMER'S SOLE AND EXCLUSIVE REMEDY UNDER THIS LIMITED WARRANTY SHALL BE PRODUCT REPAIR AS PROVIDED HEREIN. IMPLIED WARRANTIES, INCLUDING WARRANTIES OF MERCHANTABILITY OR FITNESS FOR A PARTICULAR PURPOSE, ARE LIMITED TO ONE YEAR OR THE SHORTEST PERIOD ALLOWED BY LAW. WHIRLPOOL SHALL NOT BE LIABLE FOR INCIDENTAL OR CONSEQUENTIAL DAMAGES. SOME PROVINCES DO NOT ALLOW THE EXCLUSION OR LIMITATION OF INCIDENTAL OR CONSEQUENTIAL DAMAGES, OR LIMITATIONS ON THE DURATION OF IMPLIED WARRANTIES OF MERCHANTABILITY OR FITNESS, SO THESE EXCLUSIONS OR LIMITATIONS MAY NOT APPLY TO YOU. THIS WARRANTY GIVES YOU SPECIFIC LEGAL RIGHTS AND YOU MAY ALSO HAVE OTHER RIGHTS, WHICH VARY FROM PROVINCE TO PROVINCE.

Outside Canada, this warranty does not apply. Contact your authorized Whirlpool dealer to determine if another warranty applies.

If you need service, first see the "Troubleshooting" section of the Use & Care Guide. After checking "Troubleshooting," additional help can be found by checking the "Assistance or Service" section or by calling Whirlpool at **1-800-807-6777**. 8/05

Keep this book and your sales slip together for future reference. You must provide proof of purchase or installation date for in-warranty service.

Write down the following information about your major appliance to better help you obtain assistance or service if you ever need it. You will need to know your complete model number and serial number. You can find this information on the model and serial number label located on the product.

Dealer name _____

Address _____

Phone number _____

Model number _____

Serial number _____

Purchase date _____

Notes

SÉCURITÉ DE LA LAVEUSE

Votre sécurité et celle des autres est très importante.

Nous donnons de nombreux messages de sécurité importants dans ce manuel et sur votre appareil ménager. Assurez-vous de toujours lire tous les messages de sécurité et de vous y conformer.



Voici le symbole d'alerte de sécurité.

Ce symbole d'alerte de sécurité vous signale les dangers potentiels de décès et de blessures graves à vous et à d'autres.

Tous les messages de sécurité suivront le symbole d'alerte de sécurité et le mot "DANGER" ou "AVERTISSEMENT". Ces mots signifient :

⚠ DANGER

Risque possible de décès ou de blessure grave si vous ne suivez pas immédiatement les instructions.

⚠ AVERTISSEMENT

Risque possible de décès ou de blessure grave si vous ne suivez pas les instructions.

Tous les messages de sécurité vous diront quel est le danger potentiel et vous disent comment réduire le risque de blessure et ce qui peut se produire en cas de non-respect des instructions.

IMPORTANTES INSTRUCTIONS DE SÉCURITÉ

AVERTISSEMENT : Pour réduire les risques d'incendie, de choc électrique ou de blessures lors de l'utilisation de la laveuse, suivre les précautions fondamentales dont les suivantes :

- Lire toutes les instructions avant d'utiliser la laveuse.
- Ne pas laver des articles qui ont été nettoyés ou lavés avec de l'essence ou imbibés d'essence, solvants de nettoyage à sec, ou autres substances inflammables ou explosives; ces substances peuvent émettre des vapeurs susceptibles de s'enflammer ou d'exploser.
- Ne pas ajouter d'essence, solvant de nettoyage à sec ou autre produit inflammable ou explosif dans l'eau de lavage. Ces substances peuvent émettre des vapeurs susceptibles de s'enflammer ou d'exploser.
- Dans certaines conditions, de l'hydrogène gazeux peut se former dans un circuit d'eau chaude qui n'a pas été utilisé pendant 2 semaines ou plus. LE GAZ HYDROGÈNE EST EXPLOSIBLE. Si le circuit d'eau chaude n'a pas été utilisé pendant une telle période, avant d'utiliser la laveuse, ouvrir tous les robinets d'eau chaude et laisser l'eau s'écouler pendant plusieurs minutes par chaque robinet. Ceci permettra l'évacuation de l'hydrogène gazeux accumulé. Comme ce gaz est inflammable, ne pas fumer ou utiliser une flamme nue au cours de cette période.
- Ne pas laisser des enfants jouer sur ou à l'intérieur de la laveuse. Bien surveiller les enfants lorsque la laveuse est utilisée à proximité d'enfants.
- Avant de mettre la laveuse au rebut ou hors de service, enlever la porte ou le couvercle.
- Ne pas tenter d'atteindre un article à l'intérieur de la cuve de la laveuse lorsque le tambour, la cuve ou l'agitateur est en mouvement.
- Ne pas installer ou remiser cette laveuse à un endroit où elle serait exposée aux intempéries.
- Ne pas modifier les organes de commande.
- Ne pas réparer ou remplacer un composant quelconque de la laveuse, ni entreprendre une opération de service, si ce n'est spécifiquement recommandé dans ce manuel ou dans un manuel d'instructions de réparations destiné à l'utilisateur; il est alors essentiel que la personne concernée comprenne ces instructions et soit compétente pour les exécuter.
- Voir "Spécifications électriques" pour les instructions de liaison à la terre.

CONSERVEZ CES INSTRUCTIONS

EXIGENCES D'INSTALLATION

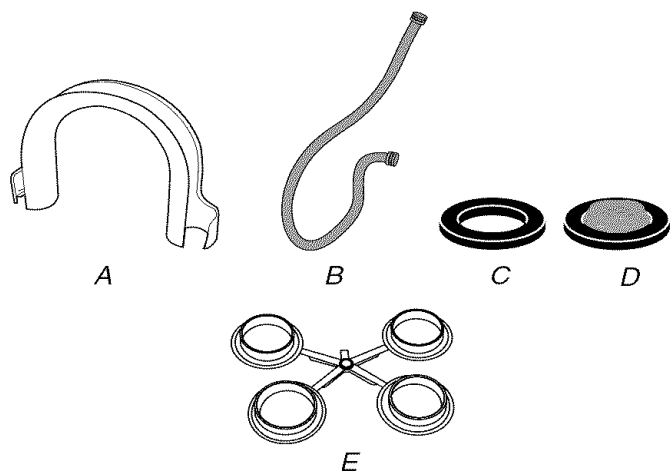
Outillage et pièces

Rassembler les outils et pièces nécessaires avant de commencer l'installation. Les pièces fournies se trouvent dans le panier de la laveuse.

Outillage requis :

- Pince - ouverture jusqu'à 1 $\frac{1}{16}$ " (3,95 cm)
- Lampe torche (facultative)
- Clé plate ou clé ajustable, 10 mm et 14 mm
- Niveau
- Cale en bois
- Couteau utilitaire
- Mètre-ruban
- Tournevis T-20 TORX®†
- Tournevis Phillips

Pièces fournies :



A. Bride de formage en U pour tuyau d'évacuation

B. Tuyaux d'admission d'eau (2)

C. Rondelles plates de tuyau d'alimentation

D. Rondelles de filtre

E. Ensemble de 4 bouchons de plastique transparent

Autres pièces

Il se peut que l'installation nécessite des pièces supplémentaires. Pour des renseignements sur la commande, se référer à la section "Assistance ou service" de ce manuel.

Si vous avez :

Vous devrez acheter :

Évier de buanderie ou tuyau de rejet à l'égout de plus de 72" (183 cm)

Système de pompe de puisard (si non déjà disponible)

Tuyau de rejet à l'égout de 1" (2,5 cm) de diamètre

Un adaptateur de 2" (5 cm) à 1" (2,5 cm) de diamètre pour le tuyau de rejet à l'égout, pièce numéro 3363920

Égout surélevé

Tuyau de vidange standard de 20 gal. (76 L) de 39" (99 cm) de haut ou évier de décharge, pompe de puisard et connecteurs (disponibles chez les vendeurs de matériel de plomberie locaux)

Évacuation obstruée par de la charpie

Protecteur de canalisation, pièce numéro 367031

Robinets d'eau hors d'atteinte des tuyaux d'admission

2 tuyaux d'admission d'eau plus longs :
6 pi (1,8 m) - pièce numéro 76314
10 pi (3 m) - pièce numéro 350008

On doit également commander :

Adaptateur de tuyau taille britannique/ taille universelle - pièce numéro 3357451

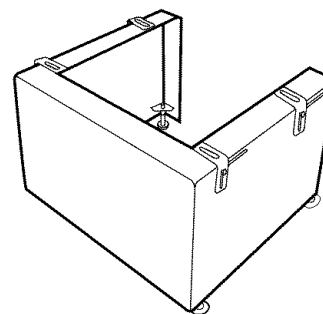
Installation de nouveaux tuyaux d'admission d'eau

Adaptateur de tuyau taille britannique/ taille universelle - pièce numéro 3357451

Options

Piédestal

Vous pouvez commander un piédestal séparément pour cette laveuse. Ce piédestal ajoutera environ 12" (30,48 cm) à la hauteur de la laveuse pour une hauteur totale d'environ 45" (114,3 cm).



Piédestal facultatif

Pour commander, téléphoner au marchand chez qui la laveuse a été achetée ou se référer à la section "Assistance ou service" de ce manuel. Demander le modèle numéro LAB0050PQ.

Ensemble de superposition

Prévoyez-vous de superposer votre laveuse et votre sècheuse? Pour ce faire, vous devrez acheter un ensemble de superposition.

Pour commander, téléphoner au marchand chez qui la laveuse a été achetée ou se référer à la section "Assistance ou service" de ce manuel. Demander la pièce numéro 8182452.

Exigences d'emplacement

Le choix d'un emplacement approprié pour la laveuse en améliore le rendement et réduit au minimum le bruit et le "déplacement" possible de la laveuse.

La laveuse peut être installée dans un sous-sol, une salle de buanderie, un placard ou un encastrement. Voir "Système de vidange".

IMPORTANT : Ne pas installer ou remiser la laveuse dans un endroit où elle sera exposée aux intempéries.

C'est à l'utilisateur qu'incombe la responsabilité de réaliser une installation correcte.

Il vous faudra :

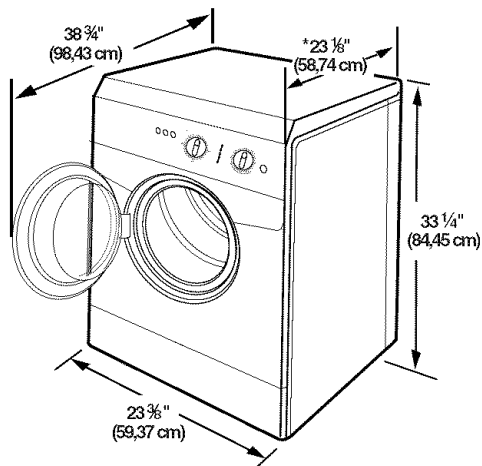
- Un chauffe-eau pour fournir de l'eau à 120°F (49°C) à la laveuse.
- Une prise électrique reliée à la terre située à moins de 5 pi (1,5 m) de la prise du cordon électrique se trouvant à l'arrière de la laveuse. Voir "Spécifications électriques".
- Des robinets d'eau chaude et d'eau froide situés à moins de 3½ pi (1,1 m) des robinets d'admission d'eau chaude et d'eau froide, et une pression d'eau de 20-100 lb/po² (137,9-690 kPa).
- Un plancher de niveau ayant une pente maximale de ¼" (1,9 cm) sous l'ensemble de la laveuse. L'installation de la laveuse sur de la moquette n'est pas recommandée.
- Un plancher robuste pour supporter la laveuse dont le poids total (laveuse, eau et charge) est de 260 lb (118 kg).

Ne pas remiser ou faire fonctionner la laveuse à des températures inférieures ou égales à 32°F (0°C). Une quantité d'eau peut demeurer dans la laveuse et causer des dommages à des températures basses. Voir "Entretien de la laveuse" pour des renseignements sur la préparation de la laveuse pour l'hiver.

Dégagements de séparation à respecter

L'emplacement doit être assez grand pour permettre d'ouvrir complètement la porte de la laveuse.

Dimensions de la laveuse



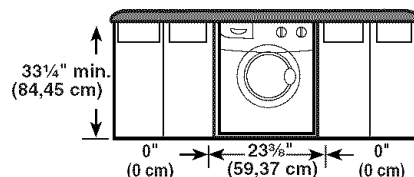
*La plupart des installations nécessitent un dégagement minimum de 4" (10,16 cm) derrière la laveuse pour le dégagement du tuyau d'évacuation. Voir "Système de vidange".

Espace pour une installation dans un encastrement et dans un placard

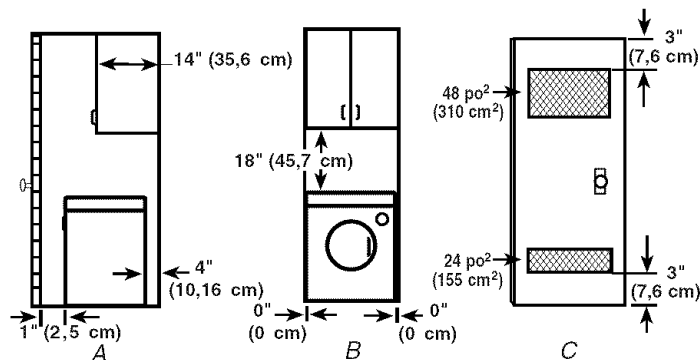
Les dimensions indiquées sur l'illustration sont recommandées lorsque la laveuse doit être utilisée avec ou sans nécessaire de superposition. Cette laveuse a été testée pour une installation avec dégagement de 0" (0 cm); toutefois, on recommande un dégagement de 1" (2,5 cm). L'espace recommandé doit être considéré pour les raisons suivantes :

- Prévoir davantage d'espace pour faciliter l'installation et l'entretien.
- Un espace supplémentaire peut être requis pour les moulures de porte et de plancher et pour les plinthes.
- Un espace supplémentaire doit être envisagé de tous les côtés de la laveuse afin de réduire le transfert de bruit.
- Pour installation dans un placard avec porte, on doit prévoir des ouvertures minimums d'entrée d'air en haut et en bas de la porte. Les portes à claire-voie offrant des ouvertures équivalentes de passage de l'air sont acceptables.
- Il faut aussi prendre en compte l'espace requis entre les appareils voisins.

Installation personnalisée sous un comptoir - laveuse seulement



Installation dans un encastrement ou un placard - laveuse uniquement

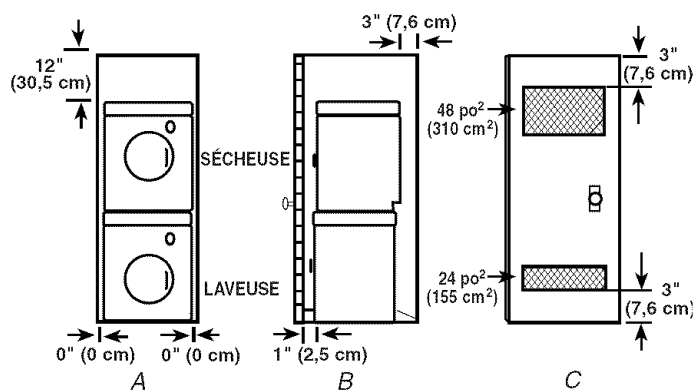


A. Vue latérale - placard ou endroit exigu

B. Encastrement

C. Porte de placard avec orifices d'entrée d'air

Installation dans un encastrement ou un placard - Utilisation d'un ensemble de superposition (accessoire)



A. Encastrement
B. Vue latérale - placard ou endroit exigu
C. Porte de placard avec orifices d'entrée d'air

- Cette laveuse comporte un cordon d'alimentation électrique à trois broches pour liaison à la terre.
- Pour minimiser les risques de choc électrique, on doit brancher le cordon sur une prise de courant de configuration correspondante, à 3 alvéoles, reliée à la terre et installée conformément aux codes et règlements locaux. Si une prise de courant de configuration correspondante n'est pas disponible, le client a la responsabilité et l'obligation de faire installer par un électricien qualifié une prise de courant correctement reliée à la terre.
- Si les codes le permettent et si on utilise un conducteur distinct de liaison à la terre, il est recommandé qu'un électricien qualifié vérifie la qualité de la liaison à la terre.
- Ne pas utiliser une tuyauterie de gaz pour le raccordement à la terre.
- En cas de doute quant à la qualité de la liaison à la terre de la laveuse, consulter un électricien qualifié.
- Ne pas installer un fusible dans le conducteur neutre ou le conducteur de liaison à la terre.

Résidence mobile - Spécifications additionnelles concernant l'emplacement

Cette laveuse peut être installée dans une résidence mobile. L'installation doit être conforme aux dispositions de la norme Manufactured Home Construction and Safety Standard, Title 24 CFR, Part 3280 (anciennement Federal Standard for Mobile Home Construction and Safety, Title 245, HUD Part 280).

Spécifications électriques

⚠ AVERTISSEMENT



Risque de choc électrique

Brancher sur une prise à 3 alvéoles reliée à la terre.

Ne pas enlever la broche de liaison à la terre.

Ne pas utiliser un adaptateur.

Ne pas utiliser un câble de rallonge.

Le non-respect de ces instructions peut causer un décès, un incendie ou un choc électrique.

- Une alimentation de 120 volts, 60-Hz, CA seulement, de 15 ou 20 ampères, protégée par un fusible, est requise. On recommande d'utiliser un fusible ou un disjoncteur temporisé. Il est recommandé de raccorder l'appareil sur un circuit distinct exclusif à cet appareil.

INSTRUCTIONS DE LIAISON À LA TERRE

Pour une laveuse reliée à la terre et connectée par un cordon :

Cette laveuse doit être reliée à la terre. En cas d'anomalie de fonctionnement ou de panne, la liaison à la terre réduira le risque de choc électrique en offrant au courant électrique un itinéraire d'évacuation de moindre résistance. Cette laveuse est alimentée par un cordon électrique comportant un conducteur relié à la terre et une fiche de branchement munie d'une broche de liaison à la terre. La fiche doit être branchée sur une prise de courant appropriée qui est bien installée et reliée à la terre conformément à tous les codes et règlements locaux.

AVERTISSEMENT : Le raccordement incorrect de cet appareil au conducteur de liaison à la terre peut susciter un risque de choc électrique. En cas de doute quant à la qualité de la liaison à la terre de l'appareil, consulter un électricien ou technicien d'entretien qualifié.

Ne pas modifier la fiche de branchement fournie avec l'appareil – si la fiche ne correspond pas à la configuration de la prise de courant, demander à un électricien qualifié d'installer une prise de courant convenable.

Pour une laveuse raccordée en permanence :

Cette laveuse doit être raccordée à un système de câblage permanent en métal relié à la terre ou un conducteur relié à la terre doit être en fonction avec les conducteurs de circuit et raccordés à la borne de liaison à la terre ou la borne sur l'appareil ménager.

INSTRUCTIONS D'INSTALLATION

Avant de commencer

AVERTISSEMENT

Risque du poids excessif

Utiliser deux ou plus de personnes pour déplacer et installer la laveuse.

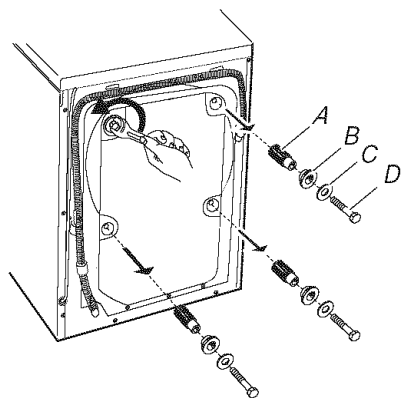
Le non-respect de cette instruction peut causer une blessure au dos ou d'autre blessure.

- Ôter et jeter tous les matériaux d'emballage, notamment l'emballage en mousse et le support en plastique se trouvant sous la laveuse.
- Pour éviter d'endommager le plancher, installer la laveuse sur un carton avant de la déplacer sur le sol.
IMPORTANT : À l'aide de deux personnes ou plus, déplacer la laveuse de sorte que l'arrière de l'appareil soit à environ 3 pi (90 cm) de son emplacement final.
- On trouve sur le panneau arrière de la laveuse 4 vis qui supportent le système de suspension durant le transport. La laveuse ne fonctionnera pas convenablement tant que le système de transport ne sera pas retiré.

Élimination des accessoires de transport

Pour l'installation de la machine, procéder comme suit :

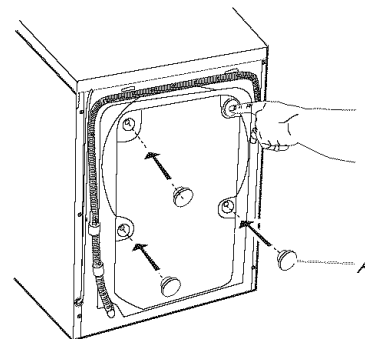
1. Au moyen d'une clé de 10 mm, desserrer chacune des vis de calage.
2. Desserrer les quatre vis de calage installées pour le transport; enlever ces vis ainsi que les cales d'espacement en caoutchouc et en plastique nervuré.



A. Cales d'espacement - plastique nervuré (4)
B. Cales d'espacement - caoutchouc (4)

C. Rondelles plates (4)
D. Vis de calage (4)

3. Obturer les trous à l'aide des 4 bouchons de plastique transparent trouvés dans le sachet de pièces.



A. Bouchons de plastique transparent (4)

REMARQUE : Si la laveuse doit être transportée à une date ultérieure, appeler le centre de service local. Pour éviter des dommages concernant la suspension et la structure, votre appareil doit être correctement monté pour réinstallation ultérieure par un technicien certifié.

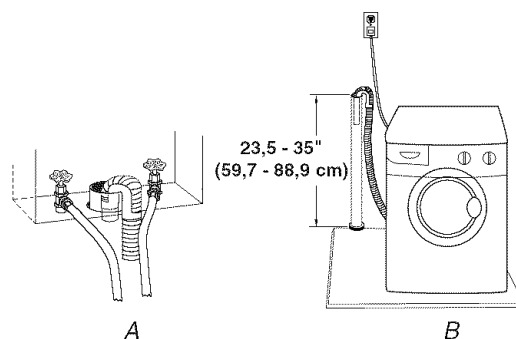
Système de vidange

La laveuse peut être installée en utilisant le système de rejet à l'égout (au plancher ou mural), le système de vidange de l'évier de buanderie, ou le système de vidange au plancher. Sélectionner la méthode d'installation du tuyau de vidange selon les besoins. Voir "Outillage et pièces".

Système de vidange avec tuyau de rejet à l'égout - mural ou au plancher (vues A et B)

Le système de rejet à l'égout nécessite un tuyau de diamètre minimum de 2" (5 cm). La capacité minimale d'acheminement ne doit pas être inférieure à 4,2 gal (15,9 L) par minute. Un adaptateur de 2" (5 cm) à 1" (2,5 cm) de diamètre est disponible pour le tuyau de rejet à l'égout. Voir "Outillage et pièces".

Le sommet du tuyau de rejet à l'égout doit être au moins à 23,5" (59,7 cm) de hauteur et au maximum à 72" (183 cm) de la base de la laveuse.



Système de vidange avec évier de buanderie (vue C)

L'évier de buanderie doit avoir une capacité minimale d'acheminement de 4,2 gal (15,9 L) par minute.

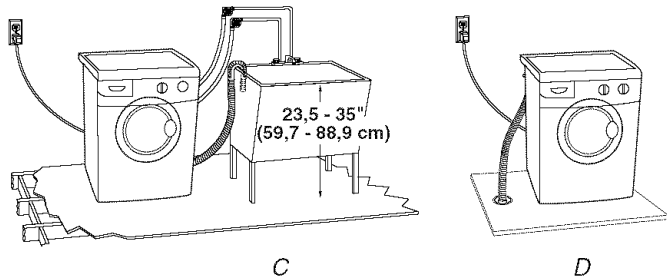
Le sommet de l'évier doit être au moins à 23,5" (59,7 cm) au-dessus du sol et au maximum à 72" (183 cm) de la base de la laveuse.

Système de vidange au plancher (vue D)

Le système de vidange au plancher nécessite un brise-siphon qui peut être acheté séparément. Voir "Outillage et pièces".

Le brise-siphon doit être au moins à 28" (71 cm) de la base de la laveuse. Des tuyaux supplémentaires peuvent être requis.

La capacité minimale d'acheminement ne doit pas être inférieure à 4,2 gal (15,9 L) par minute.



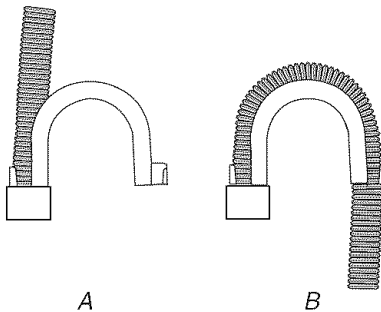
Raccordement du tuyau d'évacuation

Le raccordement adéquat du tuyau d'évacuation permettra de protéger les planchers contre les dommages que des fuites d'eau pourraient provoquer. Pour empêcher une fuite ou le détachement du tuyau d'évacuation, on doit installer le tuyau conformément aux instructions suivantes.

IMPORTANT : Pour réaliser une installation adéquate, on doit appliquer scrupuleusement la procédure décrite ci-dessous.

Systèmes avec tuyau de rejet à l'égout rigide ou évier de buanderie :

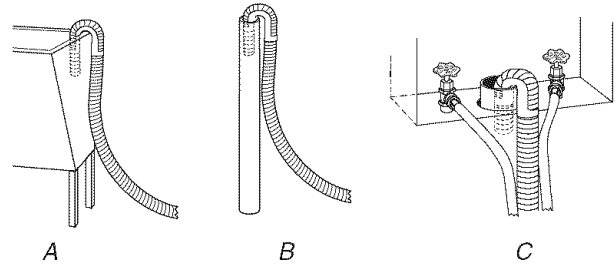
1. Vérifier que la longueur du tuyau d'évacuation flexible est appropriée.
2. Installer la bride qui permet de former un crochet à l'extrémité du tuyau d'évacuation - voir l'illustration.



- A. Emboîter une des extrémités de la bride de formage en U sur le tuyau d'évacuation, au point de départ des ondulations.
- B. Plier le tuyau d'évacuation sur la bride et emboîter pour la mise en place.

3. Mettre l'extrémité en crochet du tuyau de vidange dans l'évier de buanderie ou dans le tuyau de rejet à l'égout. Voir les illustrations A et B.

Si les robinets d'eau et le tuyau rigide de rejet à l'égout sont placés en retrait, introduire l'extrémité en crochet du tuyau de vidange dans le tuyau rigide de rejet à l'égout - voir l'illustration. Voir l'illustration C.



Pour empêcher l'eau de vidange de refluer dans la laveuse :

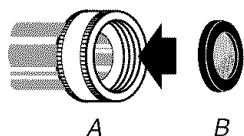
- Ne pas redresser l'extrémité en crochet du tuyau d'évacuation. Ne pas forcer l'excédent du tuyau de vidange dans le tuyau rigide de rejet à l'égout. Le tuyau doit être bien immobilisé, tout en permettant le passage d'air.

REMARQUE : Pour éviter un effet de siphon, ne pas assurer l'étanchéité à la jonction entre le tuyau d'évacuation flexible et le tuyau rigide de rejet à l'égout.

- Ne pas placer l'excès de longueur du tuyau d'évacuation au fond de l'évier de buanderie.
- Ne pas introduire l'excédent du tuyau de vidange qui reste dans l'arrière de la laveuse.
- Pour l'installation du siphon de plancher, voir le numéro du produit nécessaire à la section "Outillage et pièces".

Raccordement des tuyaux d'alimentation

Deux tuyaux sont fournis avec la machine. Le tuyau d'eau chaude est identifié par une rayure rouge sur toute sa longueur. Installer une nouvelle rondelle de filtre (fournie) dans le protecteur de tuyau droit de chaque tuyau d'arrivée d'eau. Insérer fermement les rondelles dans les raccords.



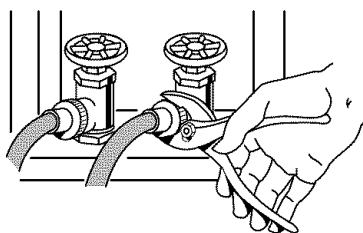
A. Raccord
B. Rondelle de filtre

Connecter les tuyaux d'alimentation aux robinets d'eau

S'assurer que le panier de la laveuse est vide.

1. Raccorder le tuyau à rayure rouge au robinet d'eau chaude. Visser complètement le raccord à la main pour qu'il comprime le joint.
2. Raccorder l'autre tuyau au robinet d'eau froide. Visser complètement le raccord à la main pour qu'il comprime le joint.
3. À l'aide d'une pince, serrer les raccords en effectuant deux tiers de tour supplémentaires.

REMARQUE : Ne pas serrer excessivement. Les valves risquent d'être endommagées.

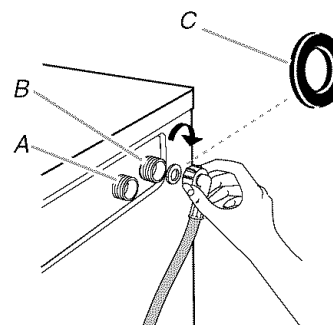


Vider les canalisations d'eau

Faire s'écouler l'eau des deux robinets et des tuyaux d'alimentation, dans un seau ou dans un évier de buanderie, pour se débarrasser des particules se trouvant dans les canalisations d'eau qui pourraient obstruer les rondelles du filtre d'alimentation. L'eau doit être propre, surtout lorsque le système est neuf ou est resté un certain temps inutilisé.

Connecter les tuyaux d'alimentation à la laveuse

1. Introduire la rondelle du filtre (fournie) dans le raccord du coude du protecteur de tuyau, avant de raccorder le tuyau d'alimentation d'eau à la valve à l'arrière de la laveuse.



A. Valve du tuyau d'alimentation d'eau froide
B. Valve du tuyau d'alimentation d'eau chaude
C. Rondelle plate

2. Raccorder le tuyau à rayure rouge à la valve du tuyau d'alimentation d'eau CHAUDE (à droite) de la laveuse. Visser le raccord à la main pour qu'il comprime le joint. Veiller à ce que les tuyaux soient bien raccordés.

REMARQUE : Ne pas serrer excessivement. Les valves risquent d'être endommagées.

3. Fixer l'autre tuyau à la valve d'arrivée d'eau FROIDE (à gauche). Visser complètement le raccord à la main pour qu'il comprime le joint. Veiller à ce que les tuyaux soient bien raccordés.

REMARQUE : Ne pas serrer excessivement. Les valves risquent d'être endommagées.

Vérifier s'il y a des fuites

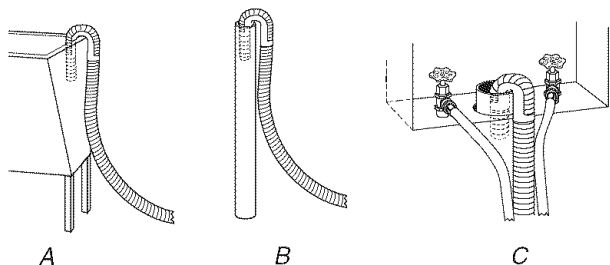
Ouvrir les robinets d'eau et vérifier s'il y a des fuites. Une petite quantité d'eau peut entrer dans la laveuse. Vous ferez un vidange plus tard.

REMARQUE : Remplacer les tuyaux d'arrivée d'eau après 5 ans d'utilisation pour réduire le risque de défaillance intempestive. Prendre note de la date d'installation ou de remplacement des tuyaux d'arrivée d'eau, pour référence ultérieure.

- Inspecter périodiquement les tuyaux; les remplacer en cas de renflement, de déformation, de coupure, d'usure ou si une fuite se manifeste.

Immobilisation du tuyau de vidange

1. Faire passer le cordon d'alimentation par-dessus la console.
2. Déplacer la laveuse à son emplacement d'installation final et retirer le carton utilisé pour déplacer la laveuse.
3. Placer le tuyau de vidange dans l'évier de buanderie ou le tuyau de rejet à l'égout - voir l'illustration. Voir les illustrations A et B.



4. Si les robinets d'eau et le tuyau rigide de rejet à l'égout sont placés en retrait, introduire l'extrémité en crochet du tuyau de vidange dans le tuyau rigide de rejet à l'égout - voir l'illustration. Voir l'illustration C.

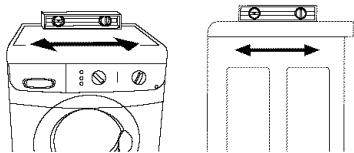
REMARQUE :

- Ne pas forcer l'excédent de tuyau de vidange dans l'arrière de la laveuse.
- Pour éviter un effet de siphon, ne pas assurer l'étanchéité à la jonction entre le tuyau d'évacuation flexible et le tuyau rigide de rejet à l'égout.

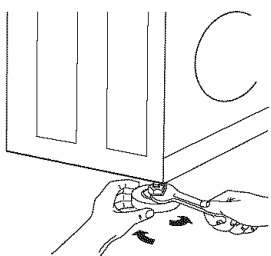
Réglage de l'aplomb de la laveuse

Un bon aplomb de la laveuse évite le bruit et les vibrations excessifs.

1. Faire passer le cordon d'alimentation par-dessus la console.
2. Déplacer la laveuse à son emplacement final. Retirer le carton utilisé pour déplacer la laveuse.
3. Vérifier que la laveuse est de niveau.
 - Vérifier l'aplomb latéralement puis dans le sens avant arrière en plaçant un niveau comme indiqué sur l'illustration.



4. Si la laveuse n'est pas de niveau, relever l'avant à l'aide d'une cale de bois et ajuster le déploiement des pieds vers le haut ou vers le bas selon le besoin. Si la laveuse est placée contre un mur, on doit l'écartier légèrement du mur avant de l'incliner vers l'arrière. Répéter ces opérations jusqu'à l'obtention d'un aplomb correct de la laveuse.



Achever l'installation

1. Consulter les spécifications électriques. Vérifier que la tension électrique disponible est correcte et que la prise de courant est convenablement reliée à la terre. Voir "Spécifications électriques".
2. Vérifier que toutes les pièces sont maintenant installées. S'il reste une pièce, passer en revue les différentes étapes pour découvrir laquelle aurait été oubliée.
3. Vérifier la présence de tous les outils.
4. Jeter ou recycler tous les matériaux d'emballage. Conserver les vis de blocage et les cales d'espacement pour utilisation en cas de transport de la laveuse.
5. Vérifier que chaque robinet d'arrivée d'eau est ouvert.
6. Vérifier s'il y a des fuites autour des robinets et des tuyaux d'arrivée d'eau.

⚠ AVERTISSEMENT



Risque de choc électrique

Brancher sur une prise à 3 alvéoles reliée à la terre.

Ne pas enlever la broche de liaison à la terre.

Ne pas utiliser un adaptateur.

Ne pas utiliser un câble de rallonge.

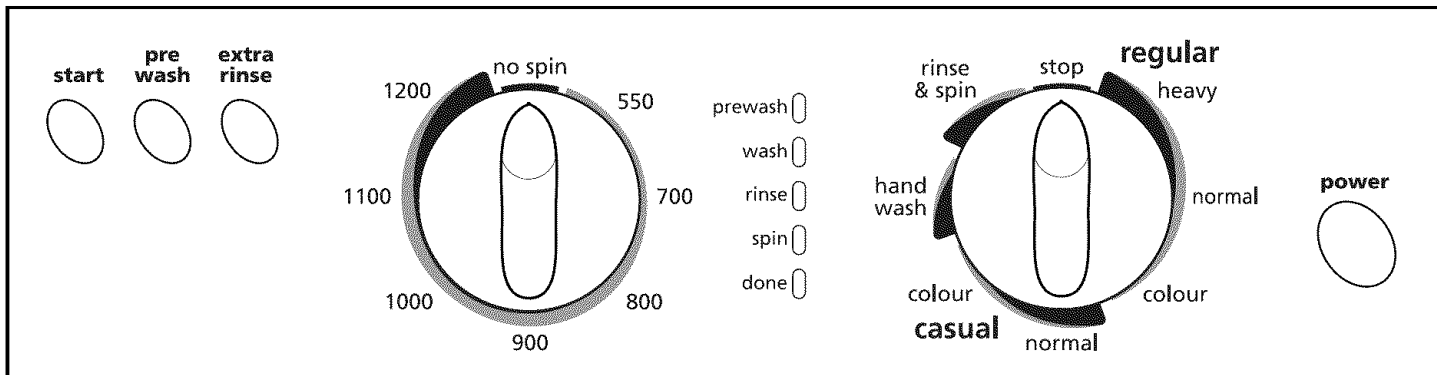
Le non-respect de ces instructions peut causer un décès, un incendie ou un choc électrique.

7. Brancher l'appareil sur une prise à 3 alvéoles reliée à la terre.
8. Lire "Utilisation de la laveuse".
9. Pour tester et nettoyer la laveuse, mesurer et verser la moitié de la quantité normale recommandée de détergent haute efficacité (HE) dans la laveuse. Fermer la porte. Sélectionner n'importe quel programme, puis appuyer sur START (mise en marche). Laisser un programme complet s'effectuer.



Utiliser uniquement un détergent HE Haute efficacité.

UTILISATION DE LA LAVEUSE



Mise en marche de la laveuse

⚠ AVERTISSEMENT



Risque d'incendie

Ne jamais mettre des articles humectés d'essence ou d'autres fluides inflammables dans la laveuse.

Aucune laveuse ne peut complètement enlever l'huile.

Ne pas faire sécher des articles qui ont été salis par tout genre d'huile (y compris les huiles de cuisson).

Le non-respect de ces instructions peut causer un décès, une explosion ou un incendie.

AVERTISSEMENT : Pour réduire le risque d'incendie, de choc électrique ou de blessures corporelles, lire les INSTRUCTIONS IMPORTANTES DE SÉCURITÉ avant de faire fonctionner cet appareil.

Le texte suivant est un guide pour l'utilisation de la laveuse. Se référer aux sections spécifiques de ce manuel pour obtenir des renseignements plus détaillés.

Ne pas remiser des produits de lessive sur le dessus de cette laveuse. La vibration est normale durant le fonctionnement.

Utilisation du détergent approprié

Utiliser uniquement des détergents haute efficacité. Pour ce type de détergent, "HE" ou "Haute efficacité" sera mentionné sur l'emballage. Ce système de lavage, utilisant moins d'eau, provoquera trop de mousse avec un détergent ordinaire non-HE. L'utilisation d'un détergent ordinaire est susceptible d'occasionner des erreurs de la part de la laveuse, des durées de programmes plus longues et une performance de rinçage réduite. Ceci peut aussi entraîner des défaillances des composants et une moisissure perceptible. Les détergents HE sont conçus pour produire la quantité de mousse adéquate pour le meilleur rendement. Suivre les recommandations du fabricant pour déterminer la quantité de détergent à utiliser.



Utiliser uniquement un détergent HE Haute efficacité.

Premier programme de lavage sans linge à laver

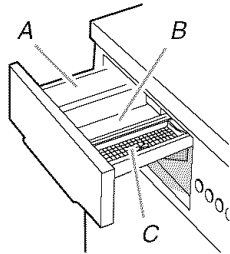
Pour nettoyer l'intérieur de la laveuse avant de laver le linge pour la première fois, choisir le programme Regular/Normal (régulier/normal) et l'exécuter sans linge. Utiliser la moitié de la quantité normale recommandée de détergent HE en poudre ou liquide.

Pour tous les programmes de lavage

1. Pour charger la laveuse, ouvrir la porte de la laveuse en tirant sur la poignée. Trier le linge d'après la couleur et le type de tissu. Placer une charge de linge trié dans la laveuse. Ne pas surcharger la laveuse. Une surcharge peut causer un piètre nettoyage.
 - La laveuse peut être bien remplie mais le linge ne doit pas être tassé. La porte de la laveuse doit fermer facilement.
 - Mélanger les gros articles avec les petits articles et éviter de laver des articles seuls. Charger la laveuse uniformément.
 - Laver les petits articles tels que les chaussettes d'enfants dans un sac en filet pour le linge. Il est recommandé d'utiliser plus d'un sac de linge, et de remplir chaque sac avec des quantités similaires.
 - En retirant le linge, vérifier de temps en temps sous le joint/soufflet de couleur grise, entre l'ouverture de la porte et le panier, qu'il n'y a pas de petits articles coincés.

2. Fermer la porte de la laveuse en la poussant fermement jusqu'à ce que le verrou s'enclenche. La porte de la laveuse demeurera verrouillée durant le programme de lavage.
3. Ouvrir le tiroir distributeur et verser les produits de lessive dans les compartiments de détergent ou d'assouplissant de tissu. Fermer le tiroir lentement pour éviter les renversements. Voir "Utilisation du distributeur".

IMPORTANT : Le contact direct de l'agent de blanchiment avec les vêtements peut causer des dommages au tissu. Si un blanchiment supplémentaire est nécessaire, utiliser un détergent HE en poudre avec agent de blanchiment.



A. Compartiment pour détergent du pré-lavage
B. Compartiment pour détergent du lavage principal
C. Compartiment pour assouplissant de tissu

REMARQUES :

- Utiliser uniquement des détergents HE et suivre les instructions de l'étiquette.
 - Ne pas verser de détergent dans le compartiment de pré-lavage si vous n'avez pas sélectionné l'option de pré-lavage. S'il y a du détergent à la fois dans le compartiment de pré-lavage et dans celui du lavage principal et que l'option de pré-lavage n'a pas été sélectionnée, un excès de mousse pourrait survenir. La mousse pourrait se déverser sur le sol.
 - En cas de sélection de l'option de pré-lavage, utiliser un détergent HE en poudre dans le compartiment du lavage principal. En cas d'utilisation d'un détergent HE liquide dans le compartiment du lavage principal, le détergent sera distribué immédiatement.
 - Bien fermer le tiroir à détergent.
- IMPORTANT :** Pour éviter le renversement d'eau, ne pas ouvrir le tiroir à détergent alors que la machine est en marche.
4. Mettre la laveuse en marche en sélectionnant POWER (alimentation).
 5. Sélectionner un des programmes en tournant le sélecteur de programme. Les réglages préétablis procurent les soins aux tissus recommandés pour le programme sélectionné. Voir "Programmes".
 6. Sélectionner les options désirées. Toutes les options ne sont pas disponibles avec tous les programmes. Voir "Programmes".
 7. Pour commencer le programme de lavage, sélectionner START (mise en marche).
 - Lorsque le programme de lavage est terminé, le témoin de l'état d'avancement DONE (terminé) s'illumine, la porte se déverrouille et la charge peut être retirée de la laveuse. Pour éteindre manuellement la laveuse après la fin d'un programme de lavage, appuyer une fois sur POWER.

Utilisation du distributeur

Votre nouvelle laveuse comporte un tiroir distributeur avec trois compartiments séparés pour vos produits de lessive - deux pour le détergent, un pour l'assouplissant de tissu liquide. Les produits de lessive sont dilués et distribués automatiquement au moment approprié durant le programme de lavage, ce qui évite à l'utilisateur de retourner à la laveuse durant le programme pour les ajouter.

Il est normal que de petites quantités d'eau demeurent dans les distributeurs lorsque le programme de lavage est achevé.

Ne pas placer d'additifs de lessive directement dans la cuve de lavage. Toujours utiliser les distributeurs appropriés lors de l'ajout de produits de lessive.

Choix du détergent approprié

Utiliser uniquement des détergents haute efficacité. Pour ce type de détergent, "HE" ou "Haute efficacité" sera mentionné sur l'emballage. Ce système de lavage, utilisant moins d'eau, provoquera trop de mousse avec un détergent ordinaire non-HE. L'utilisation d'un détergent ordinaire est susceptible d'occasionner des erreurs de la part de la laveuse, des durées de programmes plus longues, une performance de rinçage réduite et peut entraîner des défaillances des composants et des odeurs de moisissure perceptibles. Les détergents HE sont conçus pour produire la quantité de mousse adéquate pour le meilleur rendement. Suivre les recommandations du fabricant pour déterminer la quantité de détergent HE à utiliser.

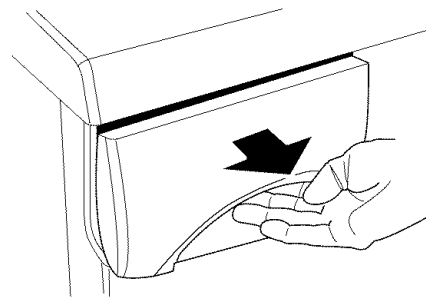


Utiliser uniquement un détergent HE Haute efficacité.

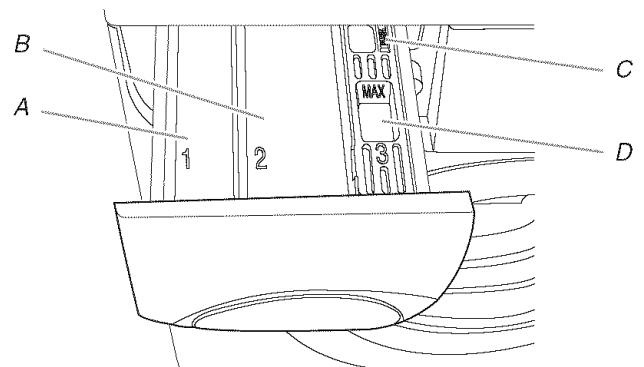
Pour remplir les compartiments du distributeur

REMARQUE : Toujours utiliser le distributeur de détergent, et ne pas verser le détergent directement sur les vêtements dans la laveuse.

1. Tirer le tiroir distributeur.



2. Ajouter le produit de lessive désiré dans le compartiment approprié.
3. Pousser complètement et lentement le tiroir distributeur (pour éviter les renversements).



Distributeur

A. Compartiment pour détergent du pré-lavage
B. Compartiment pour détergent du lavage principal
C. Levier de dégagement du tiroir distributeur
D. Compartiment pour assouplissant de tissu

Compartiment pour détergent du prélavage

(Lettre A dans l'illustration du distributeur)

Ajouter le détergent HE dans ce compartiment en cas d'utilisation de l'option de prélavage. Un détergent HE liquide ou en poudre peut être utilisé dans ce compartiment. Le détergent sera automatiquement distribué au cours du prélavage si l'option de prélavage est sélectionnée.

- En utilisant un détergent HE, ajouter $\frac{1}{3}$ de la quantité recommandée dans le compartiment de prélavage et $\frac{2}{3}$ de la quantité recommandée dans le compartiment de lavage principal.

IMPORTANT : En cas d'utilisation de l'option de prélavage, un détergent HE en poudre doit être utilisé dans le compartiment de lavage principal car les détergents liquides peuvent suinter hors du compartiment avant le début du lavage principal.

Compartiment pour détergent du lavage principal

(Lettre B dans l'illustration du distributeur)

Ajouter le détergent HE liquide ou en poudre dans ce compartiment pour le programme de lavage principal.

IMPORTANT : En cas d'utilisation de l'option de prélavage, un détergent HE en poudre doit être utilisé dans le compartiment de lavage principal car les détergents liquides peuvent suinter hors du compartiment avant le début du lavage principal.

Compartiment pour assouplissant de tissu

(Lettre D dans l'illustration du distributeur)

Ajouter $\frac{1}{4}$ de tasse (60 mL) d'assouplissant de tissu liquide dans ce compartiment. L'assouplissant sera automatiquement distribué lors du rinçage final.

- Ne pas remplir au-delà du niveau "MAX".

Commandes

Le tableau de commande est simple à comprendre et facile à utiliser. L'image ci-dessous décrit les boutons et les paragraphes définissent la fonction de chacun.

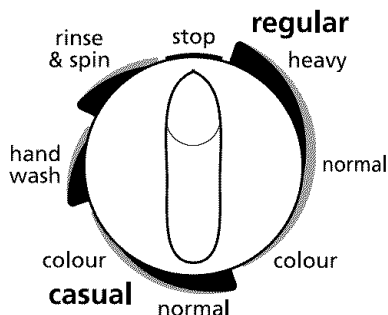
Bouton Power (alimentation)

Ce bouton met l'appareil sous tension et l'éteint. Après avoir appuyé sur POWER, le bouton START (mise en marche) clignotera.



Bouton Cycle (programme)

Tourner ce bouton au programme désiré. Le tableau de la section Programmes définit chaque programme en détail, ce qui permet de déterminer, pour chaque type de charge, le programme le plus adapté.



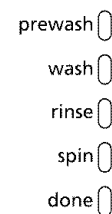
Position d'arrêt

Si on tourne le bouton de programme sur la position d'arrêt pour interrompre un programme en vue d'ajouter un article ou d'annuler un programme, la porte restera verrouillée pendant 2 minutes et on pourra ensuite ouvrir la porte. Pour remettre la laveuse en marche, il vous faudra repositionner le bouton de programme et appuyer sur le bouton START (mise en marche).

REMARQUE : Avant le début du programme, la laveuse évacuera toute eau déjà présente dans la laveuse. Avant d'appuyer sur START, il est recommandé de s'assurer qu'il n'est pas nécessaire d'ajouter du détergent.

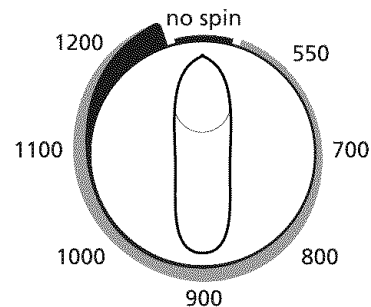
Témoins lumineux de l'état d'avancement

Au fur et à mesure de l'avancement du programme, le témoin correspondant s'allumera. Le témoin lumineux d'arrêt s'allume lorsque le programme est terminé. À ce stade, la porte restera verrouillée pendant 2 minutes et on pourra ensuite ouvrir la porte.



Bouton Spin Speed (vitesse d'essorage)

Utiliser ce bouton pour régler la vitesse d'essorage. En plus des vitesses d'essorage variant de 550 à 1200, il est également possible de choisir l'option No Spin (sans essorage). Cette option est conçue pour les tissus délicats qui ne doivent pas être essorés.



Bouton Extra Rinse (rinçage supplémentaire)

Ce bouton règle le programme pour ajouter davantage de rinçage. Ce bouton s'allume lorsque l'option est activée. Voir "Programmes" pour savoir si le programme de rinçage peut être ajouté à chaque programme. Le programme de rinçage régulier est généralement suffisant, mais en cas d'eau très douce ou d'allergie au détergent, on peut vouloir utiliser cette option. Cette option n'est pas disponible avec le programme Rinse & Spin (rinçage et essorage).



Pre Wash (prélavage)

Appuyer sur ce bouton pour sélectionner un prélavage. Ceci n'est recommandé que pour les articles très sales. Le bouton s'allume lorsque l'option est activée. En cas de prélavage, s'assurer de mettre du détergent dans le compartiment de prélavage du tiroir à détergent.



Bouton Start (mise en marche)

Après avoir sélectionné un programme et des options (prélavage ou rinçage supplémentaire), appuyer sur ce bouton pour mettre le programme en marche. Le bouton s'illuminera.

REMARQUE : Il peut y avoir un court délai, pouvant aller jusqu'à quelques minutes, avant le début du programme de lavage. Cela correspond au fonctionnement normal de cette laveuse.



REMARQUE : Le prélavage ne peut être sélectionné avec les programmes Hand Wash (lavage à la main) ou Rinse & Spin (rinçage et essorage).

Programmes

Le tableau ci-dessous définit chaque programme de lavage en détails pour vous aider à déterminer quel est le programme qui convient le mieux à chaque type de charge.

Programmes	Temp	Niveau de saleté	Tissus	Descriptions des programmes	Vitesse d'essorage maximum (1)	Options disponibles	
						Pré-lavage	Rinçage supp.
RÉGULIER							
Intense	Chaude	Très sale	Coton, lin, mélanges, synthétiques	Lavage principal, 3 rinçages, vidange et essorage	1200	Oui	Oui
Normal	Tiède	Très sale	Coton, lin, mélanges, synthétiques	Lavage principal, 2 rinçages, vidange et essorage	1200	Oui	Oui
Couleur	Froide	Peu sale	Coton, lin, mélanges, synthétiques	Lavage principal, 2 rinçages, vidange et essorage	1200	Oui	Oui
TOUT-ALLER							
Normal	Tiède	Peu sale	Coton, lin, mélanges, synthétiques	Lavage principal, 2 rinçages, vidange et essorage	1200	Oui	Oui
Couleur	Froide	Peu sale	Coton, lin, mélanges, synthétiques	Lavage principal, 2 rinçages, vidange et essorage	1200	Oui	Oui
Lavage à la main (2)	Tiède	Peu sale	Laine, soie, nylon lavables en machine	Lavage avec haut niveau d'eau, 3 rinçages, vidange, essorage délicat	800	N/A	Oui
Rinçage et essorage	Froide	N/A	Tous	3 remplissages, 3 vidanges, 3 culbutages, 1 essorage	Sélectionnable	N/A	N/A

REMARQUES :

1. Ce sont des vitesses d'essorage suggérées.
2. Le programme de lavage à la main comporte une vitesse d'essorage de 800 tr/min maximum pour ne pas agresser les tissus délicats.

CONSEILS DE LESSIVAGE

Préparation des vêtements pour le lavage

Suivre les recommandations suivantes pour prolonger la vie de vos vêtements.

- Utiliser uniquement des détergents haute efficacité. Pour ce type de détergent, "HE" ou "Haute efficacité" sera mentionné sur l'emballage. Ce système de lavage, utilisant moins d'eau, provoquera trop de mousse avec un détergent ordinaire non-HE. L'utilisation d'un détergent ordinaire est susceptible d'occasionner des erreurs de la part de la laveuse, des durées de programmes plus longues, une performance de rinçage réduite et peut entraîner des défaillances des composants et des odeurs de moisissure perceptibles. Les détergents HE sont conçus pour produire la quantité de mousse adéquate pour le meilleur rendement. Suivre les recommandations du fabricant pour déterminer la quantité de détergent à utiliser.



Utiliser uniquement un détergent HE Haute efficacité.

- Pour augmenter le rendement de cette laveuse à faible niveau d'eau, secouer les vêtements et autres articles pour ôter sable, poussière et autre matière avant de les placer dans la laveuse.
- Fermer les fermetures à glissière, les boutons pression et les crochets pour éviter d'accrocher d'autres articles. Retirer les épingles, boucles et autres objets durs pour éviter d'égratigner l'intérieur de la laveuse. Ôter les garnitures et les ornements non lavables.
- Vider les poches et les retourner.
- Retourner les revers et enlever la charpie et la poussière avec une brosse.
- Retourner les tricotés synthétiques pour éviter le boulochage.
- Attacher les cordons et les ceintures pour empêcher l'emmêlement.
- Raccorder les déchirures, les ourlets défaits et les coutures.
- Traiter les taches.
- Les vêtements tachés ou mouillés doivent être lavés sans délai pour obtenir les meilleurs résultats.
- Mélanger les petits articles avec les gros, éviter de laver un article seul et répartir la charge de façon égale dans la laveuse.
- Utiliser des sacs en filet pour laver les sous-vêtements tels que les soutiens-gorge à armature, les articles avec cordons et les articles de petite taille tels que les chaussettes d'enfants. Il est recommandé d'utiliser plus d'un sac pour le linge, et de remplir chaque sac avec des quantités similaires.

Tri

- Séparer les articles très sales des articles légèrement sales, même si on les lave normalement ensemble. Séparer les articles qui forment de la charpie (serviettes, chenille) des articles qui retiennent la charpie (velours côtelé, synthétiques, pressage permanent). Dans la mesure du possible, retourner les articles qui forment de la charpie.
- Séparer les couleurs foncées des couleurs claires et les articles grand teint des articles qui déteignent.
- Trier en fonction des tissus et de la confection (cotons solides, tricotés, articles délicats).

Déchargement

- Retirer les vêtements de la laveuse une fois que le programme est terminé. Des objets en métal comme les fermetures à glissière, les boutons-pression et les boucles peuvent rouiller si on les laisse longtemps dans le panier de la laveuse.
- En retirant le linge, vérifier de temps en temps sous le joint/soufflet de couleur grise, entre l'ouverture de la porte et le panier, qu'il n'y a pas de petits articles coincés.

Chargement

Suggestions de chargement (charges maximum)

Vêtements de travail lourds

3 jeans
2 pantalons
3 chemises

Serviettes

8 serviettes de bain
8 serviettes à main
10 débarbouillettes

Pressage permanent

1 drap double
1 robe
1 chemisier
2 pantalons décontractés
3 chemises
6 mouchoirs

Charge mixte

1 drap double ou simple
4 taies d'oreiller
2 chemises
2 chemisiers
6 tee-shirts
6 shorts
6 mouchoirs

Tricotés

1 pantalon
2 chemisiers
4 chemises
4 hauts
2 robes

Articles délicats

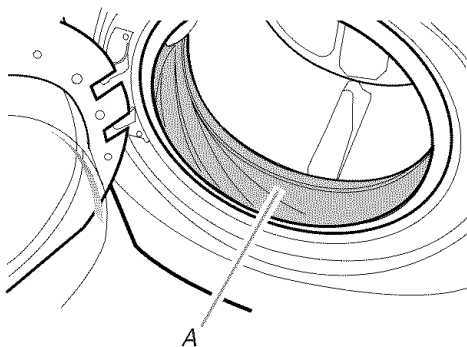
1 camisole
4 combinaisons
6 sous-vêtements
1 vêtement de nuit

ENTRETIEN DE LA LAVEUSE

Nettoyage de la laveuse

Nettoyage du joint/soufflet de la porte

1. Ouvrir la porte de la laveuse et retirer tout vêtement ou article de la laveuse.
2. Examiner le joint/soufflet de couleur grise entre l'ouverture de la porte et le panier pour déceler des zones tachées. Tirer sur le joint/soufflet pour examiner toutes les zones sous le joint/soufflet et voir s'il n'y a pas d'objets étrangers.



A. Joint/soufflet

3. Si des zones tachées sont décelées, essuyer ces zones en respectant la procédure indiquée ci-dessous.
 - a) Mélanger une solution diluée en utilisant $\frac{3}{4}$ de tasse (177,4 mL) d'agent de blanchiment liquide et 1 gal. (3,8 L) d'eau tiède du robinet.
 - b) Essuyer la zone du joint/soufflet avec la solution diluée, en utilisant un chiffon humide.
 - c) Laisser agir pendant 5 minutes.
 - d) Essuyer la zone complètement avec un chiffon sec et laisser l'intérieur de la laveuse sécher avec la porte ouverte.

IMPORTANT :

- Porter des gants en caoutchouc en cas de nettoyage pendant une période prolongée.
- Consulter les instructions du fabricant de l'agent de blanchiment pour une utilisation correcte.

Nettoyage de l'intérieur

Suivre la procédure suivante sans linge. L'intérieur de la laveuse doit être nettoyé au moins une fois par mois pour réduire ou éviter la formation d'odeurs de moisissure.

1. Retirer tout vêtement ou article de la laveuse.
2. Ouvrir le tiroir distributeur et verser l'agent de blanchiment dans le compartiment pour détergent du lavage principal.

REMARQUE : Utiliser 1 tasse (236,6 mL) pour le premier nettoyage. Utiliser $\frac{1}{3}$ de tasse (78,8 mL) pour l'entretien mensuel.

3. Sélectionner et activer le programme Regular/Heavy Soil (régulier/saleté intense) à l'eau chaude. Répéter ce processus au besoin.

4. Après le nettoyage, laisser la porte de la laveuse légèrement ouverte pour permettre une meilleure ventilation et le séchage de l'intérieur de la laveuse.

REMARQUE : Pour enlever les résidus d'eau dure; utiliser exclusivement des nettoyeurs sans danger pour la laveuse.

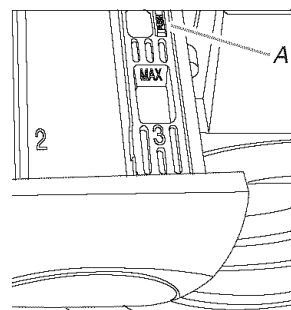
Nettoyage de l'extérieur

Utiliser une éponge ou un linge doux humide pour essuyer les renversements. Essuyer occasionnellement les surfaces externes de la laveuse pour maintenir son apparence d'appareil neuf. Utiliser un savon doux et de l'eau. Ne pas utiliser des produits abrasifs.

Nettoyage du tiroir distributeur

Le tiroir distributeur est amovible pour faciliter le nettoyage.

1. Ouvrir le tiroir distributeur. Dégager le tiroir distributeur en appuyant sur la pièce en plastique du compartiment d'assouplissant de tissu marquée "PUSH" (pousser). (Lettre A dans l'illustration du distributeur).



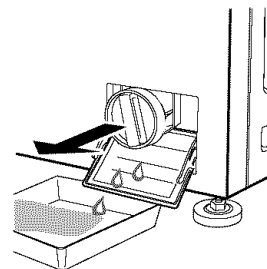
A. Dégagement du tiroir distributeur

2. Retirer le tiroir.
3. Ne pas nettoyer le tiroir avec des solvants détachants ou des nettoyeurs abrasifs. Le fini pourrait être endommagé.
4. Réinstaller le tiroir distributeur dans la laveuse.

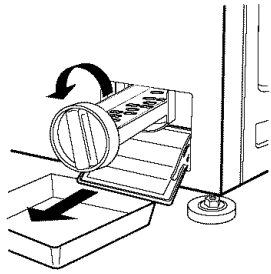
Nettoyage du filtre à charpie

Le filtre à charpie doit être nettoyé environ une fois par mois. S'assurer que la laveuse n'est pas en cours de fonctionnement avant d'ouvrir le clapet du filtre.

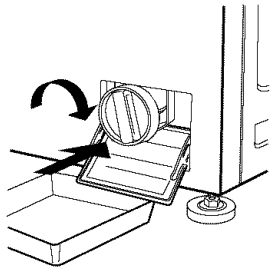
1. Placer un plat ou une serviette sous le clapet du filtre car une petite quantité d'eau pourrait se déverser. Ouvrir le clapet du filtre.



- Retirer le filtre en le faisant tourner d'un demi-tour dans le sens antihoraire et en le tirant vers soi.



- Nettoyer le filtre avec une brosse douce sous l'eau du robinet jusqu'à élimination de tous les résidus.
- Réinstaller le filtre et le tourner dans le sens horaire jusqu'à ce qu'il soit maintenu en place. Tirer délicatement sur le bouchon pour confirmer que le filtre est bien en place.



- Fermer le clapet du filtre.

Nettoyage du panneau de commande

Pour nettoyer le panneau de commande, utiliser exclusivement un chiffon chaud et humide.

- Ne pas asperger d'eau ou de solvants de nettoyage sur le panneau de commande.
- Ne pas utiliser de nettoyants abrasifs ou de tampons à récurer sur les surfaces extérieures car ils causeraient des éraflures au fini et pourraient effacer les inscriptions sur le panneau de commande.
- Certains essuie-tout peuvent également érafler le fini.

Robinetts d'arrivée d'eau

Remplacer les tuyaux d'arrivée d'eau après cinq ans d'utilisation pour réduire le risque de défaillance intempestive. Inspecter périodiquement les tuyaux; les remplacer en cas de renflement, de déformation, de coupure et d'usure ou si une fuite se manifeste.

Lors du remplacement des tuyaux d'arrivée d'eau, inscrire la date du remplacement.

Précautions à prendre avant les vacances, un entreposage ou un déménagement

Installer et ranger la laveuse à l'abri du gel. L'eau qui peut rester dans les tuyaux risque d'abîmer la laveuse en temps de gel. Si la laveuse doit faire l'objet d'un déménagement ou de remisage au cours d'une période de gel, préparer l'appareil pour l'hiver.

Entretien en cas de non-utilisation ou de période de vacances :

On ne doit faire fonctionner la laveuse que lorsqu'on est présent. Si l'utilisateur doit partir en vacances ou n'utilise pas la laveuse pendant une période prolongée, il convient d'exécuter les opérations suivantes :

- Débrancher la laveuse ou déconnecter la source de courant électrique.
- Fermer l'alimentation d'eau de la laveuse. Ceci aide à éviter les inondations accidentelles (dus à une augmentation de la pression) quand vous êtes absent.
- Ouvrir légèrement la porte pour fournir une ventilation.

Préparation de la laveuse pour l'hiver :

- Débrancher la laveuse ou déconnecter la source de courant électrique.
- Fermer les deux robinets d'eau.
- Débrancher les tuyaux d'arrivée d'eau des robinets.
- Placer un plat ou une serviette sous le clapet du filtre car une petite quantité d'eau pourrait se déverser. Ouvrir le clapet du filtre et ôter le filtre à charpie pour l'évacuation. Voir "Nettoyage du filtre à charpie" dans la section "Nettoyage de la laveuse".
- Réinstaller le filtre à charpie et fermer le clapet du filtre.

Remise en marche de la laveuse :

- Vidanger les canalisations d'eau. Reconnecter les tuyaux d'arrivée d'eau aux robinets. Ouvrir les deux robinets d'eau.

⚠ AVERTISSEMENT



Risque de choc électrique

- Brancher sur une prise à 3 alvéoles reliée à la terre.
- Ne pas enlever la broche de liaison à la terre.
- Ne pas utiliser un adaptateur.
- Ne pas utiliser un câble de rallonge.
- Le non-respect de ces instructions peut causer un décès, un incendie ou un choc électrique.

- Brancher la laveuse ou reconnecter la source de courant électrique.
- Faire exécuter à la laveuse un programme Regular/Normal (régulier/normal) avec ¼ de la quantité normale recommandée de détergent HE pour enlever l'antigel.

Transport de la laveuse :

1. Débrancher la laveuse ou déconnecter la source de courant électrique.
2. Déconnecter le tuyau de vidange du tuyau de rejet à l'égout ou de l'évier de buanderie. Fixer le tuyau de vidange aux pinces du panneau arrière.
3. Fermer les deux robinets d'eau.
4. Déconnecter les tuyaux d'arrivée d'eau des robinets et de l'arrière de la laveuse. Vidanger les tuyaux et les placer à l'intérieur du tambour de la laveuse.
5. Placer un plat ou une serviette sous le clapet du filtre car une petite quantité d'eau pourrait se déverser. Ouvrir le clapet du filtre et ôter le filtre à charpie pour l'évacuation. Voir "Nettoyage du filtre à charpie" dans la section "Nettoyage de la laveuse".

6. Réinstaller le filtre à charpie et fermer le clapet du filtre.

IMPORTANT : Appeler le centre de service local pour assistance. Les vis de blocage doivent être installées avant tout déplacement. La laveuse doit être transportée en position verticale pour éviter des dommages à la suspension et à la structure.

Réinstallation de la laveuse :

1. Suivre les "Instructions d'installation" pour choisir l'emplacement, régler l'aplomb de la laveuse et la raccorder.
2. Faire exécuter à la laveuse un programme Regular/Normal (régulier/normal) avec ¼ de la quantité normale recommandée de détergent HE pour nettoyer la laveuse et enlever l'antigel, le cas échéant.

DÉPANNAGE

Essayer d'abord les solutions suggérées ici pour éviter possiblement le coût d'une visite de service...

Mauvaises odeurs de la laveuse

- **Utilisez-vous un détergent haute efficacité (HE)?**
Utiliser uniquement un détergent haute efficacité (HE) dans cette laveuse.
- **Avez-vous nettoyé l'intérieur de la laveuse en utilisant la procédure recommandée?**
L'intérieur de la laveuse doit être nettoyé au moins une fois par mois pour réduire ou éviter la formation d'odeurs de moisissure. Voir "Entretien de la laveuse" pour la procédure de nettoyage de l'intérieur.
- Inspecter l'intérieur de la laveuse; de la charpie et d'autres débris peuvent s'accumuler sur le panier et les soufflets en caoutchouc. Ôter toute accumulation si nécessaire.
- Laisser la porte de la laveuse ouverte entre les programmes pour permettre à l'intérieur de la laveuse de sécher.

La laveuse ne se met pas en marche

AVERTISSEMENT



Risque de choc électrique

Brancher sur une prise à 3 alvéoles reliée à la terre.

Ne pas enlever la broche de liaison à la terre.

Ne pas utiliser un adaptateur.

Ne pas utiliser un câble de rallonge.

Le non-respect de ces instructions peut causer un décès, un incendie ou un choc électrique.

- **Vérifier ce qui suit :**
Le cordon d'alimentation est-il branché dans une prise à 3 alvéoles reliée à la terre?
La porte de la laveuse est-elle bien fermée?

Un programme a-t-il été choisi sans avoir appuyé ensuite sur START?

La porte a-t-elle été ouverte après l'achèvement du dernier programme?

La laveuse ne se remplit pas, ne rince pas ou ne lave pas

- **Vérifier ce qui suit :**
Le cordon d'alimentation est-il branché dans une prise à 3 alvéoles reliée à la terre?
La prise est-elle alimentée par le courant électrique? Vérifier la source de courant électrique ou appeler un électricien.
Les robinets d'eau chaude et d'eau froide sont-ils ouverts?
Le tuyau d'arrivée d'eau est-il déformé?
Les tamis de la valve d'arrivée d'eau sont-ils obstrués?

La laveuse s'arrête

- **Vérifier ce qui suit :**
Le cordon d'alimentation est-il branché dans une prise à 3 alvéoles reliée à la terre?
La prise est-elle alimentée par le courant électrique? Vérifier la source de courant électrique ou appeler un électricien.
Un fusible est-il grillé ou le disjoncteur s'est-il déclenché? Remplacer le fusible ou réenclencher le disjoncteur. Si le problème persiste, appeler un électricien.
Utilisez-vous une rallonge?
Ne pas utiliser de rallonge.

Absence de vidange ou d'essorage de la laveuse

- **Le tuyau de vidange est-il obstrué ou l'extrémité du tuyau de vidange se trouve-t-elle à plus de 35" (88,9 cm) au-dessus du plancher?**
- **La tension est-elle basse?**
Vérifier la source de courant électrique ou appeler un électricien. Ne pas utiliser de rallonge.
- **La charge est-elle équilibrée?**
Un seul article ou un article encombrant peut provoquer un déséquilibre. Ajouter des articles ou redistribuer la charge.

La laveuse fait du bruit ou vibre

- Lorsque l'eau est vidangée de la laveuse, on peut entendre le bruit de la succion de l'air par la pompe. Ceci se produit à la fin de la vidange. Ceci est normal.
- **La laveuse est-elle d'aplomb?**
La laveuse doit être d'aplomb. Les quatre pieds doivent être bien installés et les écrous doivent être serrés contre la caisse de la laveuse.
- **Avez-vous retiré les vis de calage?**
Vérifier que les quatre vis de calage ont été retirées. Voir les "Instructions d'installation".
- **Lavez-vous des articles avec agrafes en métal, boucles ou fermetures à glissière?**
On peut entendre le bruit des articles métalliques touchant le tambour de la laveuse. Ceci est normal.
- **La laveuse est-elle installée sur un plancher robuste et solide?**
Se référer aux "Exigences d'installation" pour les exigences relatives au plancher. Le bruit et les vibrations peuvent être réduits en plaçant une planche de contreplaqué de ¾" (19,1 mm) sous la laveuse. Le contreplaqué peut se prolonger en-dessous de la laveuse et de la sècheuse pour les maintenir à des hauteurs égales.

La laveuse fuit

- **Vérifier la plomberie du domicile pour voir s'il y a des fuites.**

Distributeurs obstrués ou ayant une fuite

- **Les produits de lessive sont-ils dans le bon compartiment du distributeur?**
Verser les quantités appropriées de détergent HE ou d'assouplissant de tissu dans les compartiments appropriés.

Charge trop mouillée

- **Avez-vous utilisé le bon programme pour la charge à laver?**
Choisir un programme avec une vitesse d'essorage plus élevée.
- **Avez-vous lavé un article seul, des articles encombrants ou avez-vous surchargé la laveuse?**
Le lavage d'un seul article ou d'un article encombrant, ou une charge excessive peuvent provoquer un déséquilibre. Ajouter des articles ou essayer de distribuer uniformément votre lessive mouillée dans le tambour, et commencer le programme Rinse & Spin (rinçage et essorage). Si la lessive est encore mouillée, retirer la moitié de la charge de la laveuse et essayer de nouveau.

Résidus ou charpie sur le linge

- **Avez-vous ajouté du détergent au distributeur?**
Pour obtenir de meilleurs résultats, ajouter du détergent au compartiment de détergent. Ne pas verser le détergent dans le tambour de la laveuse.

- **Avez-vous effectué le tri correctement?**
Trier les articles causant la charpie (serviettes, chenille) des articles qui retiennent la charpie (velours côtelé, synthétiques). Trier également en fonction des couleurs.
- **Avez-vous surchargé la laveuse?**
Ne pas surcharger la laveuse. La laveuse peut être bien remplie mais le linge ne doit pas être tassé. La charge de lavage doit être équilibrée. De la charpie peut être coincée dans la charge s'il y a surcharge.
- **Vérifier ce qui suit :**
A-t-on laissé du papier ou des mouchoirs en papier dans les poches?
- **Avez-vous utilisé suffisamment de détergent HE?**
Utiliser uniquement un détergent HE ou haute efficacité. Suivre les recommandations du fabricant pour le type de charge à laver.
- **La température de l'eau est-elle inférieure à 60°F (15,6°C)?**
Une eau de lavage dont la température est inférieure à 60°F (15,6°C) peut ne pas dissoudre complètement le détergent en poudre.
- **Utilisez-vous un programme de lavage à basse vitesse?**
Les détergents en poudre peuvent ne pas se dissoudre correctement durant un programme à vitesse lente. Pour les meilleurs résultats, utiliser un détergent liquide pour les programmes à basse vitesse tels que Hand Wash (lavage à la main).

Présence de taches sur le linge

- **Avez-vous ajouté du détergent au distributeur?**
Pour obtenir de meilleurs résultats, ajouter du détergent au compartiment de détergent. Ne pas verser le détergent dans le tambour de la laveuse.
- **Avez-vous utilisé suffisamment de détergent HE?**
Utiliser uniquement un détergent HE ou haute efficacité. Suivre les recommandations du fabricant de détergent pour le type de charge à laver.
- **La présence de fer (rouille) dans l'eau est-elle supérieure à la moyenne?**
Vous aurez peut-être besoin d'installer un filtre à fer.
- **Avez-vous bien trié la charge?**
Séparer les articles de teinte foncée des articles blancs ou clairs.
- **Avez-vous déchargé la laveuse immédiatement?**
Pour éviter le transfert de teinture, décharger la laveuse dès qu'elle s'arrête.
- **Avez-vous utilisé une boule distributrice d'assouplissant de tissu?**
Les boules distributrices ne fonctionnent pas correctement avec cette laveuse. Verser un assouplissant de tissu liquide dans le compartiment d'assouplissant de tissu.
- **Avez-vous utilisé un détergent en poudre pour un programme à vitesse faible?**
Les détergents en poudre peuvent ne pas se dissoudre correctement durant un programme à basse vitesse. Pour les meilleurs résultats, utiliser un détergent liquide pour les programmes à basse vitesse tels que Hand Wash (lavage à la main).

Linge froissé

- **Avez-vous déchargé la laveuse immédiatement?**
Décharger la laveuse dès qu'elle s'arrête.
- **Avez-vous utilisé le bon programme pour la charge à laver?**
Utiliser le programme Hand Wash (lavage à la main) ou un autre programme avec vitesse d'essorage basse pour réduire le froissement.
- **Avez-vous surchargé la laveuse?**
La charge de lavage doit être équilibrée et pas surchargée. Les charges doivent pouvoir se déplacer librement durant le lavage.

Blanc grisâtre, couleurs défraîchies

- **Avez-vous bien trié la charge?**
Le transfert de teinture peut se produire lors du mélange d'articles blancs et de couleur dans une même charge. Séparer les articles de teinte foncée des articles blancs ou clairs.
- **La température de lavage était-elle trop basse?**
Utiliser les lavages à l'eau tiède ou chaude si celles-ci sont sans danger pour la charge. S'assurer que le système d'eau chaude est adéquat pour fournir un lavage à l'eau chaude.
- **Avez-vous utilisé suffisamment de détergent, ou avez-vous une eau dure?**
Utiliser plus de détergent pour laver la saleté intense à l'eau froide ou dure.

Programme trop long

- **Avez-vous utilisé le programme de lavage Hand Wash (lavage à la main)?**
En cas d'utilisation du programme Hand Wash, il faut ne laver que de petites charges. Ceci assure un lavage délicat de vos vêtements sans augmenter les durées de programme.
- **Avez-vous lavé une grande charge en utilisant un programme délicat?**
En cas d'utilisation du programme Hand Wash, il faut ne laver que de petites charges. Ceci assure un lavage délicat de vos vêtements sans augmenter les durées de programme.

Porte verrouillée à la fin du programme de lavage

- **Toute l'eau s'est-elle écoulée de la laveuse durant l'essorage?**
Sélectionner Rinse & Spin (rinçage et essorage) pour enlever toute eau restée dans la laveuse. La porte de la laveuse se déverrouillera 2 minutes après la fin de l'essorage.
- **Avez-vous essayé d'ouvrir la porte immédiatement après l'arrêt de la laveuse?**
Il y a un délai de 2 minutes à la fin du programme avant de pouvoir ouvrir la porte. Ceci est normal.

ASSISTANCE OU SERVICE

Avant de faire un appel pour assistance ou service, veuillez vérifier "Dépannage". Cette vérification peut vous faire économiser le coût d'une visite de service. Si vous avez encore besoin d'aide, suivez les instructions ci-dessous.

Lors d'un appel, veuillez connaître la date d'achat et les numéros de modèle et de série au complet de votre appareil. Ces renseignements nous aideront à mieux répondre à votre demande.

Si vous avez besoin de pièces de rechange

Si vous avez besoin de commander des pièces de rechange, nous vous recommandons d'utiliser exclusivement les pièces spécifiées par l'usine. Ces pièces conviendront et fonctionneront bien parce qu'elles sont fabriquées selon les mêmes spécifications précises utilisées pour fabriquer chaque nouvel appareil INGLIS®.

Pour localiser des pièces de rechange dans votre région composer le **1-800-807-6777**, ou appeler le centre de service désigné le plus proche.

Nos consultants fournissent de l'assistance pour :

- Caractéristiques et spécifications de notre gamme complète d'appareils ménagers.
- Procédés d'utilisation et d'entretien.
- Vente d'accessoires et de pièces de rechange.
- Les références aux concessionnaires, compagnies de service de réparation et distributeurs de pièces de rechange locaux. Les techniciens de service désignés par Whirlpool Canada LP sont formés pour remplir la garantie des produits et fournir un service après la garantie, partout au Canada.

Pour plus d'assistance

Si vous avez besoin de plus d'assistance, vous pouvez écrire à Whirlpool Canada LP en soumettant toute question ou problème à :

Centre d'interaction avec la clientèle
Whirlpool Canada LP
1901 Minnesota Court
Mississauga, Ontario L5N 3A7

Dans votre correspondance, veuillez indiquer un numéro de téléphone où l'on peut vous joindre dans la journée.

GARANTIE DES GROS APPAREILS MÉNAGERS INGLIS®

GARANTIE LIMITÉE DE UN AN

Pendant un an à compter de la date d'achat, lorsque ce gros appareil ménager est utilisé et entretenu conformément aux instructions jointes à ou fournies avec le produit, Whirlpool Canada LP (ci-après désignée "Whirlpool") paiera pour les pièces de rechange spécifiées par l'usine et la main-d'œuvre pour corriger les vices de matériaux ou de fabrication. Le service doit être fourni par une compagnie de service désignée par Whirlpool.

WHIRLPOOL NE PRENDRA PAS EN CHARGE

1. Les visites de service pour rectifier l'installation du gros appareil ménager, montrer à l'utilisateur comment utiliser l'appareil, remplacer ou réparer des fusibles ou rectifier le câblage ou la plomberie du domicile.
2. Les visites de service pour réparer ou remplacer les ampoules électriques de l'appareil, les filtres à air ou les filtres à eau. Ces pièces consommables ne sont pas couvertes par la garantie.
3. Les réparations lorsque le gros appareil ménager est utilisé à des fins autres que l'usage unifamilial normal.
4. Les dommages imputables à : accident, modification, usage impropre ou abusif, incendie, inondation, actes de Dieu, installation fautive ou installation non conforme aux codes d'électricité ou de plomberie, ou l'utilisation de produits non approuvés par Whirlpool.
5. Toute perte d'aliments due à une défaillance du réfrigérateur ou du congélateur.
6. Le coût des pièces de rechange et de la main-d'œuvre pour les appareils utilisés hors du Canada.
7. Le ramassage et la livraison. Ce gros appareil ménager est conçu pour être réparé à domicile.
8. Les réparations aux pièces ou systèmes résultant d'une modification non autorisée faite à l'appareil.
9. Les frais de transport pour le service d'un produit dans les régions éloignées.
10. La dépose et la réinstallation de votre appareil si celui-ci est installé dans un endroit inaccessible ou n'est pas installé conformément aux instructions d'installation fournies.

CLAUSE D'EXONÉRATION DE RESPONSABILITÉ AU TITRE DES GARANTIES IMPLICITES; LIMITATION DES RECOURS

LE SEUL ET EXCLUSIF RECOURS DU CLIENT DANS LE CADRE DE LA PRÉSENTE GARANTIE LIMITÉE CONSISTE EN LA RÉPARATION PRÉVUE CI-DESSUS. LES GARANTIES IMPLICITES, Y COMPRIS LES GARANTIES APPLICABLES DE QUALITÉ MARCHANDE ET D'APTITUDE À UN USAGE PARTICULIER, SONT LIMITÉES À UN AN OU À LA PLUS COURTE PÉRIODE AUTORISÉE PAR LA LOI. WHIRLPOOL N'ASSUME AUCUNE RESPONSABILITÉ POUR LES DOMMAGES FORTUITS OU INDIRECTS. CERTAINES JURIDICTIONS NE PERMETTENT PAS L'EXCLUSION OU LA LIMITATION DES DOMMAGES FORTUITS OU INDIRECTS, OU LES LIMITATIONS DE LA DURÉE DES GARANTIES IMPLICITES DE QUALITÉ MARCHANDE OU D'APTITUDE À UN USAGE PARTICULIER, DE SORTE QUE CES EXCLUSIONS OU LIMITATIONS PEUVENT NE PAS S'APPLIQUER DANS VOTRE CAS. CETTE GARANTIE VOUS CONFÈRE DES DROITS JURIDIQUES SPÉCIFIQUES ET VOUS POUVEZ ÉGALEMENT JOUIR D'AUTRES DROITS QUI PEUVENT VARIER D'UNE JURIDICTION À UNE AUTRE.

À l'extérieur du Canada, cette garantie ne s'applique pas. Contacter votre marchand Whirlpool autorisé pour déterminer si une autre garantie s'applique.

Si vous avez besoin de service, voir d'abord la section "Dépannage" du Guide d'utilisation et d'entretien. Après avoir vérifié la section "Dépannage", de l'aide supplémentaire peut être trouvée en vérifiant la section "Assistance ou service" ou en appelant Whirlpool au **1-800-807-6777**.

8/05

Conservez ce manuel et votre reçu de vente ensemble pour référence ultérieure. Pour le service sous garantie, vous devez présenter un document prouvant la date d'achat ou d'installation.

Inscrivez les renseignements suivants au sujet de votre gros appareil ménager pour mieux vous aider à obtenir assistance ou service en cas de besoin. Vous devrez connaître le numéro de modèle et le numéro de série au complet. Vous trouverez ces renseignements sur la plaque signalétique située sur le produit.

Nom du marchand _____

Adresse _____

Numéro de téléphone _____

Numéro de modèle _____

Numéro de série _____

Date d'achat _____

8578920A

© 2006 All rights reserved.
Tous droits réservés.

® Registered Trademark/TM Trademark of Whirlpool Canada LP
® Marque déposée/TM Marque de commerce de Whirlpool Canada LP

3/06
Printed in U.S.A.
Imprimé aux É.-U.

