





OUTDOOR COOKING

Grill Cart
GCD / GCR

Use & Care Manual
Installation & Operation

 HESTAN



 DANGER	 DANGER
<p>If you smell gas:</p> <ol style="list-style-type: none">1. Shut off gas to the appliance.2. Extinguish any open flame.3. Open lid.4. If odor continues, keep away from the appliance and immediately call your gas supplier or your fire department.	<ol style="list-style-type: none">1. Do not store or use gasoline or other flammable liquids or vapors in the vicinity of this or any other appliance.2. An LP cylinder not connected for use shall not be stored in the vicinity of this or any other appliance.

⚠ WARNING IF THE INFORMATION IN THIS MANUAL IS NOT FOLLOWED EXACTLY, A FIRE OR EXPLOSION MAY RESULT CAUSING PROPERTY DAMAGE, PERSONAL INJURY, OR DEATH.

⚠ WARNING Do not try lighting this appliance without reading the LIGHTING INSTRUCTIONS section of this manual.

⚠ WARNING For outdoor use ONLY. This cooking appliance is not intended to be installed in or on recreational vehicles, and/or boats.

⚠ WARNING Flammable Gas - disconnect all propane or natural gas supplies to this unit before servicing.

⚠ WARNING Electrical Parts & Components – disconnect all power supplies and batteries before servicing.

READ THIS MANUAL CAREFULLY AND COMPLETELY BEFORE USING YOUR GRILL TO REDUCE THE RISK OF FIRE, BURN HAZARD, OR OTHER INJURY. KEEP THIS MANUAL FOR FUTURE REFERENCE.

TABLE OF CONTENTS



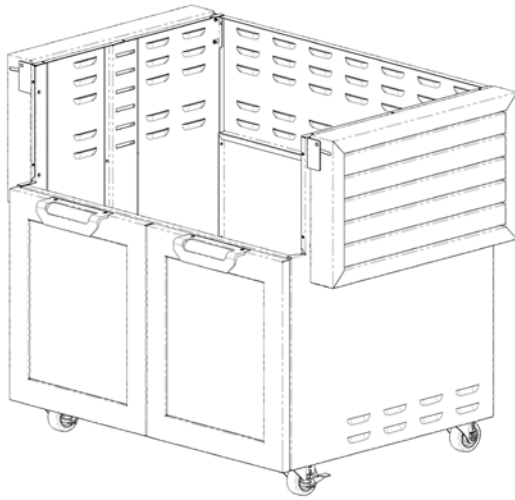
EN

4	MODEL NUMBERS
5	INTRODUCTION
5	PRECAUTIONS
6	REGULATORY / CODE REQUIREMENTS
7	PORTABLE LP CYLINDERS
8	CART & GRILL ASSEMBLY
16	GAS CONNECTIONS
17	PARTS LIST
17	SERVICE
17	WARRANTY

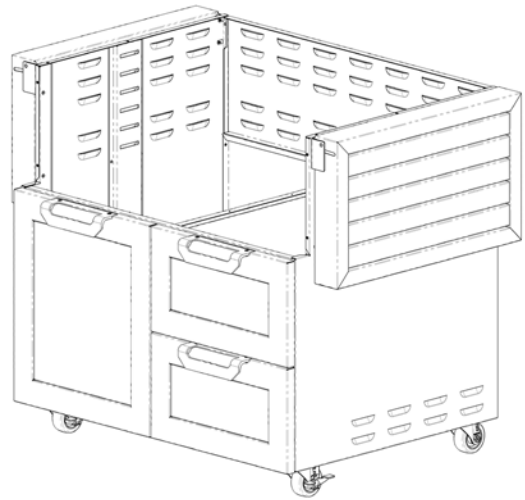


MODEL NUMBERS

EN



Double Door Model



Double Door & Drawer Model

CART MODELS

Model No.	Description
GCD30	30" DOUBLE DOOR TOWER CART
GCR30	30" DOUBLE DRAWER AND DOOR TOWER CART
GCD36	36" DOUBLE DOOR TOWER CART
GCR36	36" DOUBLE DRAWER AND DOOR TOWER CART
GCR42	42" DOUBLE DRAWER AND DOOR TOWER CART



INTRODUCTION



Thank you for choosing the Hestan Outdoor Grill Cart. We have written this Installation Guide to help you properly install a Hestan Grill for years of safe and enjoyable use.

Keep this guide handy, as it will help answer questions that may arise as you use your new Cart.

Inspect the product to verify that there is no shipping damage. If any damage is detected, call the shipper and initiate a damage claim.

Hestan Commercial Corp. is not responsible for shipping damage. DO NOT discard any packing material (box, pallet, straps) until the unit has been inspected.

EN

PRECAUTIONS - BEFORE YOU USE YOUR GRILL CART



When properly cared for, your Hestan grill cart will provide safe, reliable service for many years. However, extreme care must be used since the grill produces intense heat, which can cause serious injury or even death if the instructions are not followed carefully. When using this appliance, basic safety practices must be followed as outlined below.

1. NEVER LEAVE THE GRILL UNATTENDED WHILE COOKING.
2. Children should not be left alone or unattended in an area where the grill is being used. Never allow them to sit, stand, or play on or around the grill. Do not store items of interest to children around or below the grill or in the cart. Never allow children to crawl inside of the cart.
3. The grill and cart shall be used only outdoors and shall not be used in buildings, garages, sheds, breezeways, or any enclosed areas. Do not operate the grill under unprotected, combustible construction. Use only in well-ventilated areas. See the INSTALLATION section of the Hestan Grill manual for more information.
4. Do not use the grill unless a leak check has been performed on all gas connections. See the GAS CONNECTIONS section of the Hestan Grill manual.
5. Portable LP cylinders - Always shut off the main valve on the liquid propane (LP) cylinder after each use. Never use a dented or rusted LP cylinder. Never attach or disconnect an LP cylinder, or move or alter gas fittings when the grill is in operation or is hot.
6. Inspect LP gas supply hose prior to each use of the grill. The hose must be kept away from heated areas of the grill. If there is evidence of excessive abrasion or wear, or the hose is cut, it must be replaced before using the grill. The hose and LP regulator are supplied as a complete assembly and must be replaced together. Do not attempt to repair or replace the hose itself. Contact your Hestan dealer for genuine replacement P/N 014309.
7. Keep any electrical supply cord away from the heated areas of the grill. The cord is provided with a 3-prong grounding plug which should not be removed or altered. Do not use this appliance with an ungrounded, 2-prong adapter. The cord must be plugged into a properly grounded GFCI-protected outlet. See INSTALLATION section of the Hestan Grill manual.
8. Keep the areas surrounding the grill free from combustible materials, trash, or combustible fluids and vapors such as gasoline or charcoal lighter fluid. Do not obstruct the flow of combustion gases (rear) and ventilation airways (front). Keep the rear area free and clear of debris, extra LP cylinders, etc. Do not block the ventilation louvers of the cart.
9. If your grill is stored indoors, ensure that it is cool before moving. If propane is used, the LP cylinder must be disconnected and stored OUTSIDE in a well-ventilated area, out of the reach of children. A grill cover is recommended, even when stored indoors.
10. Never move the grill when hot. When in use, portions of the grill are hot enough to cause severe burns.



PRECAUTIONS - BEFORE YOU USE YOUR GRILL CART *(continued)*

EN

11. Do not repair or replace any part of the cart unless specifically recommended in this manual. All other warranty and non-warranty service should be referred to and performed by a qualified technician.
12. Clean the grill and cart with caution. Avoid steam burns - do not use a wet sponge or cloth to clean the grill or cart while it is hot. Some cleaners produce noxious fumes or can ignite when applied to a hot surface. Be sure all grill controls are turned off and the grill and cart are cool before using any type of aerosol cleaner on or around the grill and cart. The chemical that produces the spraying action could, in the presence of heat, ignite or cause metal parts to corrode. Clean and perform general maintenance on the grill and cart twice a year. Watch for corrosion, cracks, or insect activity. See the CLEANING AND MAINTENANCE section of the Hestan Grill manual for more information.
13. Do not push down on an extended drawer as this may result in damage to the drawer slides, or in extreme cases, could cause the cart to tip forward causing injury. Do not overload the drawers as this may cause damage or personal injury. The maximum load rating of the drawer is 35 lbs. (15.8 kg).
14. Do not overload the side shelves of the cart as this may result in damage to the unit, or personal injury. Do not sit, step, or push down on the side shelves. The maximum load rating of the side shelf is 25 lbs. (11.3 kg).



REGULATORY / CODE REQUIREMENTS

Installation of this cooking appliance must be made in accordance with local codes. In the absence of local codes, this unit should be installed in accordance with the National Fuel Gas Code *ANSI Z223.1/NFPA 54*, Natural Gas and Propane Installation code *CSA B149.1*, or Propane Storage and Handling Code *B149.2*.

All Electrical Components must be electrically grounded in accordance with local codes or in the absence of local codes with the National Electrical Code *ANSI/NFPA 70*, or Canadian Electrical code *CSA C22.1*.

STATE OF MASSACHUSETTS

Massachusetts requires all gas be installed using a plumber or gas fitter carrying the appropriate Massachusetts license. All permanently installed natural gas or propane installations require a T handle type manual gas valve be installed in the gas supply line to this appliance. This does not apply to portable propane installations using a 20lb. cylinder.

CALIFORNIA PROPOSITION 65 - WARNING

The burning of gas cooking fuel generates toxic by-products, which are on the list of substances which are known by the State of California to cause cancer or reproductive harm. California law requires businesses to warn customers of potential exposure to such substances. To minimize exposure to these substances, always operate this unit according to the use and care manual, ensuring you provide good ventilation when cooking with gas. This warning is issued pursuant to California Health & Safety Code Sec. 25249.6.

PORTABLE LP GAS CYLINDERS



EN

Use only a standard 20 lb. (9.1kg) liquid propane (LP) gas cylinder - 12.25" diam. X 18.25" H (31cm X 47cm) which features an Overfill Protection Device. The cylinder must be installed in the upright position. Do not use a dented or rusty LP cylinder as it may be hazardous and should be checked by your LP supplier. Never use a cylinder with a damaged valve. Never move or alter the gas fittings. Check the expiration date on the cylinder collar as well. Do not refill an expired cylinder, it must be replaced. If you buy refilled (exchange) LP cylinders, check this date as well.

The LP gas cylinder must be constructed and marked in accordance with the specifications for LP gas cylinders of the U.S. Department of Transportation (DOT). The cylinder must be provided with a shut off valve terminating in an LP gas supply cylinder valve outlet specified, as applicable, for connection type QCC1 in the standard for compressed gas cylinder valve outlet and inlet connections ANSI/CGA-V-1.

▲WARNING

Certain liquid propane dealers may fill LP cylinders for use in the grill beyond cylinder filling capacity. This "overfilling" may create a dangerous condition due to a build-up of excess pressure. As a safety device, there is a pressure relief valve which will vent propane gas vapor to relieve this excess pressure. This vapor is combustible and therefore can be ignited. To reduce this danger, you should take the following safety precautions:

1. When you have your cylinder filled, be sure you tell the supplier to fill it to no more than 80% of its total capacity.
2. If you own or use a spare cylinder, you should NEVER store it near or under the grill/cart unit or burner box, or near any other ignition or heat source (like a water heater or furnace).

IF THE INFORMATION IN 1 AND 2 ABOVE IS NOT FOLLOWED EXACTLY, A FIRE CAUSING DEATH OR SERIOUS INJURY MAY OCCUR.

3. The LP cylinder must be disconnected and stored OUTSIDE in a well-ventilated area, out of the reach of children.
4. Do not store a full cylinder in direct sunlight.

READ AND UNDERSTAND THE GAS CONNECTION AND LEAK TESTING SECTIONS DETAILED IN YOUR HESTAN GRILL MANUAL, BEFORE USING YOUR GRILL.



CART & GRILL ASSEMBLY

IMPORTANT - READ ALL INSTRUCTIONS BEFORE YOU BEGIN

Some parts have sharp edges. Care must be taken when handling the various components to avoid personal injury. Wear gloves when handling. Two or more people should work together to assemble the cart and mount the grill.

TOOLS REQUIRED:

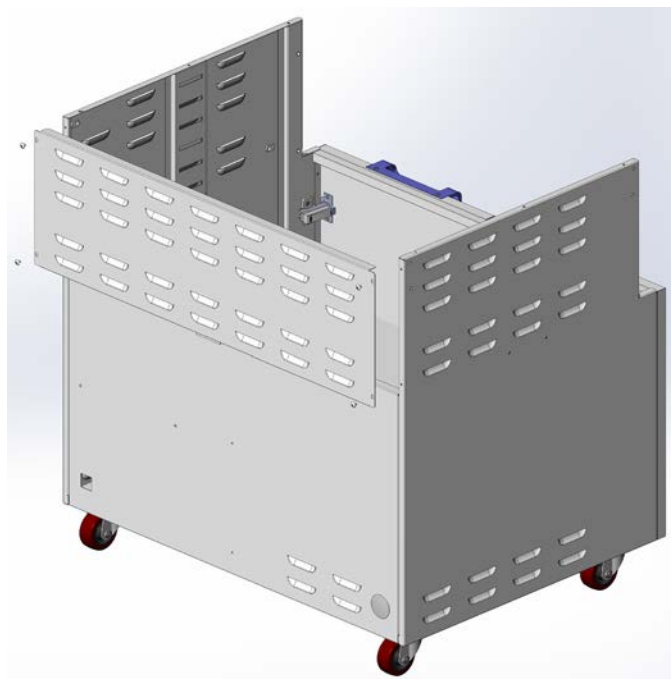
- Eye goggles or safety glasses
- Work gloves
- Large slip-joint pliers
- Phillips screwdriver
- Flat-blade screwdriver
- 3/8" wrench or socket wrench
- 7/16" wrench or socket wrench

LOCATING AND ASSEMBLING THE GRILL AND CART

When determining a suitable location for your grill and cart, take into account concerns such as exposure to wind, rain, sprinklers, proximity to traffic paths, and keeping any gas supply line runs as short as possible. The cart should be located on flat pavement or patio surfaces.

Locate the grill only in a well-ventilated area. Never locate the grill in a building, garage, breezeway, shed or other such enclosed areas without an approved ventilation system. Never locate the grill over, under, or next to unprotected combustible construction. Please read the Hestan Grill manual for more information on proper placement.

1. Engage the brakes on the casters to prevent movement of the cart. Ensure all packaging, straps, etc. have been removed from the grill. Remove all items from inside the grill such as rotisserie rod, cooking grates, radiant trays, etc. You may leave the burners in place, but you will have to check them for proper placement later on. If any tie-down wires are on the burners, leave them on until grill installation is complete.
2. Remove the rear access panel from the cart by removing all the Phillips screws securing it to the cart.

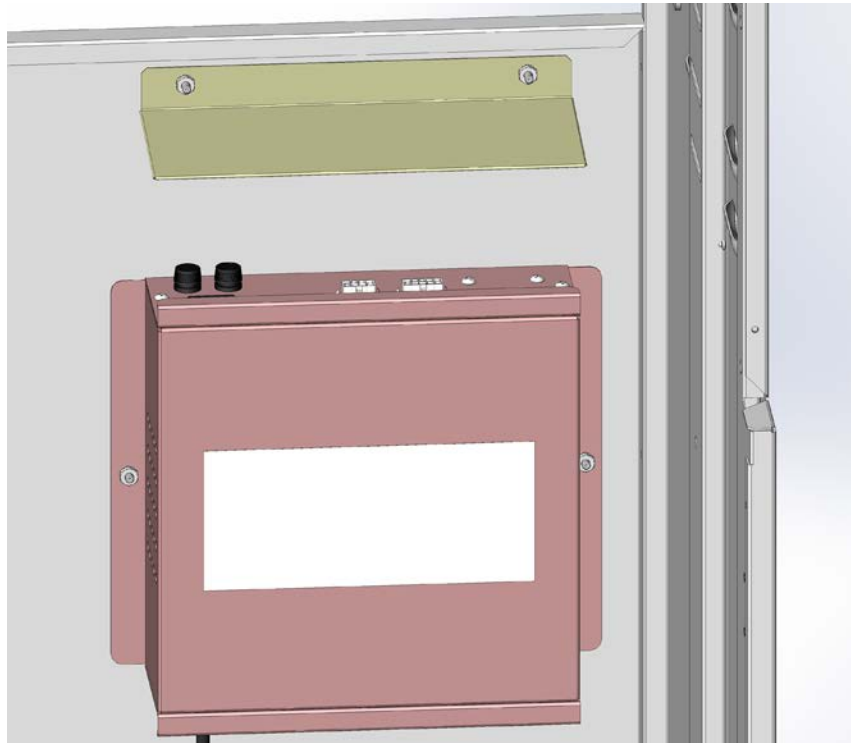


CART & GRILL ASSEMBLY *(continued)*

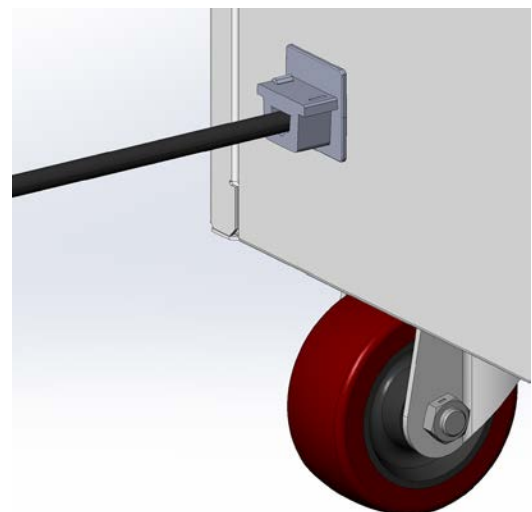


3. Open the right door, or pull out both drawers (depending on which Hestan cart you own). Install the electrical box supplied with your grill (highlighted here in red) on the 2 studs at the rear, inside wall of the cart. Pass the electrical cord through the square hole. Reinstall both nuts and tighten with 3/8" wrench or socket wrench.

EN



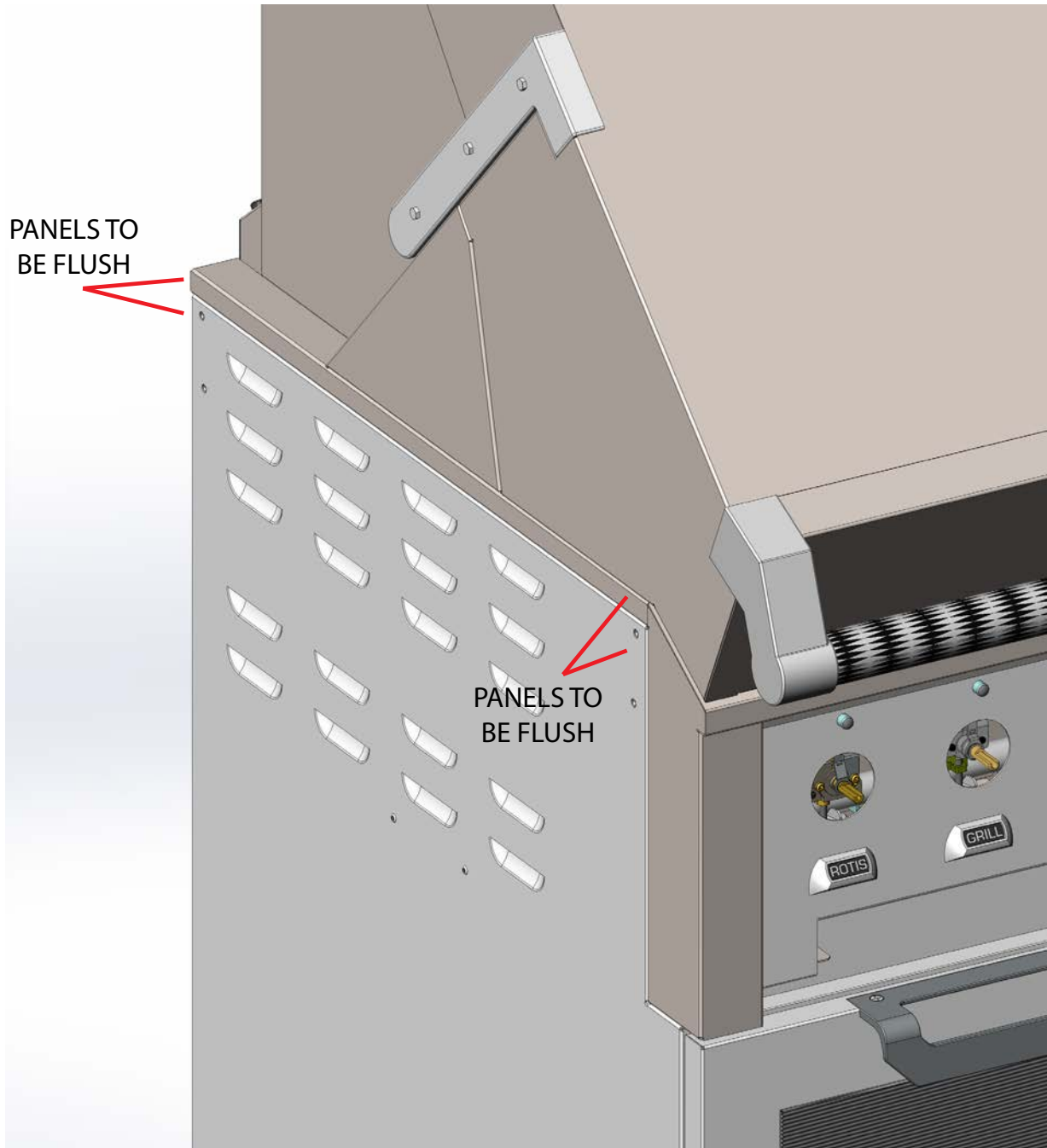
4. Lay the cord from the electrical box into the strain relief as shown below, leaving 8-9 inches (20-23cm) of cord between the strain relief and the rear panel. Snap the strain relief together with a pair of large pliers.
5. Push the strain relief into the rear panel of the cart until it snaps in.





CART & GRILL ASSEMBLY *(continued)*

6. Remove the drip pan from the grill.
7. Remove the control knobs from the grill.
8. Two persons are required to lift the grill head onto the cart, as it is very heavy. Before lifting, be sure any wires are tucked out of the way and taped to the grill firebox so they don't dangle and get caught on anything as you lower the grill onto the cart.
9. Line up the left and right outer panels of the cart with the left and right sides of the grill head and place the grill head on the cart. The rear edge of the grill head must be flush with the rear of the cart. Be careful with the motor cover at the rear of the grill, check that the fan can rotate freely without touching the cover. Check the wire harness for interferences.

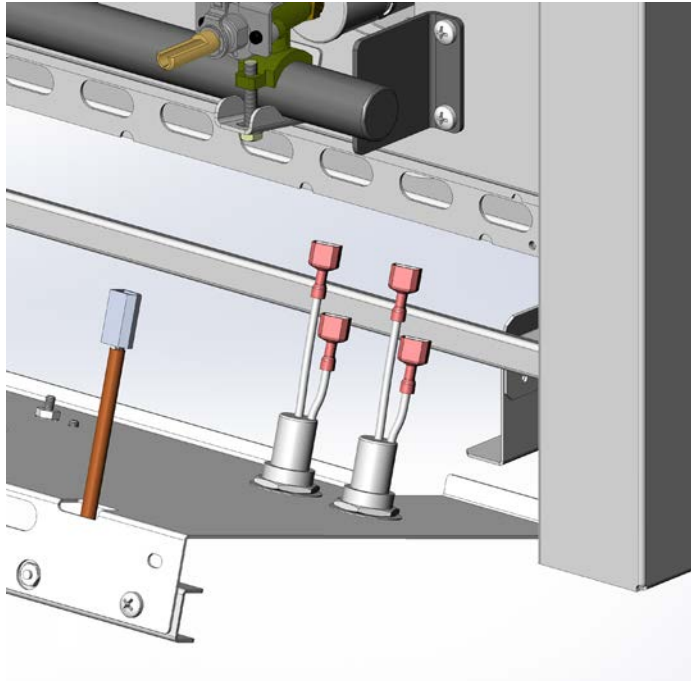


CART & GRILL ASSEMBLY *(continued)*



10. Remove the screws securing the control panel on the front of the grill. Carefully tilt down the control panel being careful not to damage the wires to the switches and LED light bar. Pull off the connectors to the 2 switches and the LED light bar at this time. Remove the control panel from the grill and set aside.

EN



11. Reach inside the right front area of the cart wall and install 2 flat washers and hex bolts as shown here using a 7/16" wrench or socket wrench. Do not tighten yet. Repeat this on the opposite side of the cart.

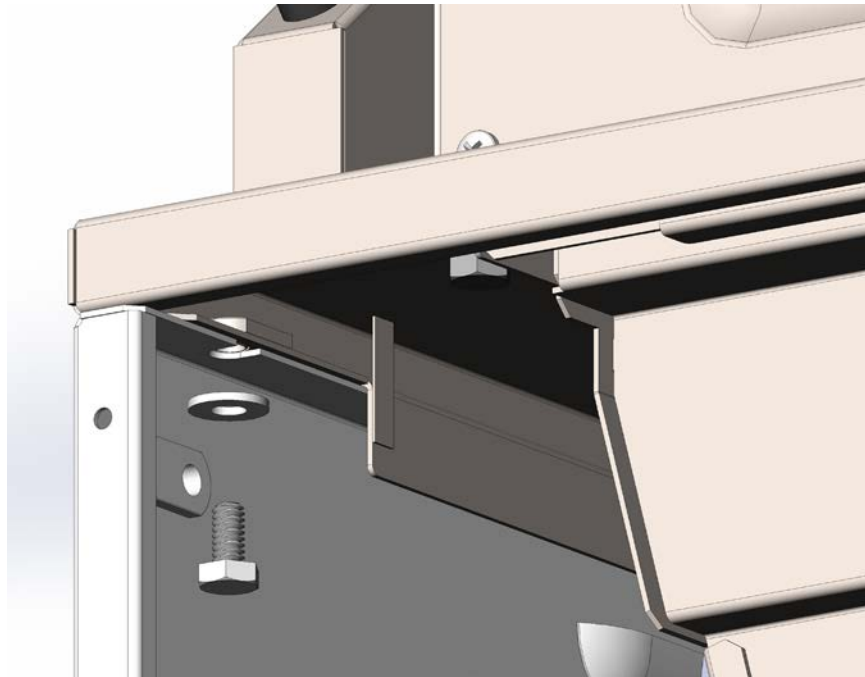




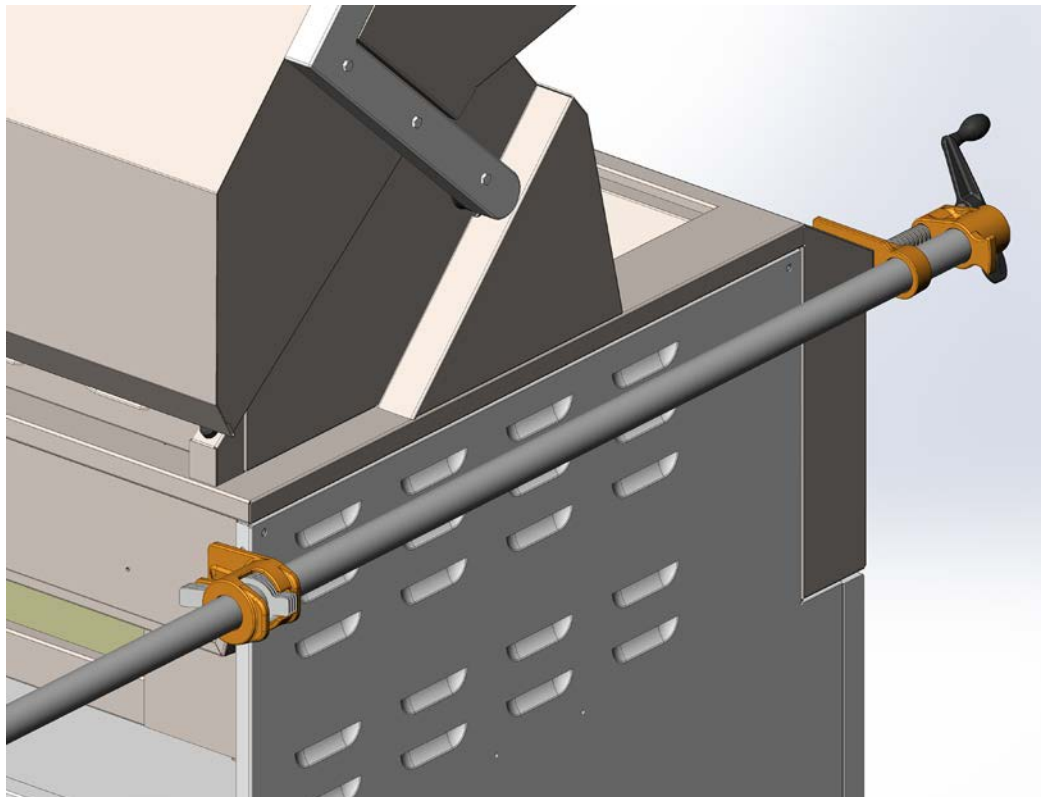
CART & GRILL ASSEMBLY *(continued)*

12. Install 1 flat washer and hex bolt at the rear inside wall of the cart as shown here using a $7/16''$ wrench or socket wrench. Repeat this on the opposite side of the cart. If all cart panels are properly aligned with the grill head, you may now tighten all the bolts.

EN



Note: If the holes do not wish to align, a large bar-clamp may be used as shown below to help pull everything together. Use rags or small pieces of cardboard to cushion the clamp and not scratch the finish on your grill and cart.



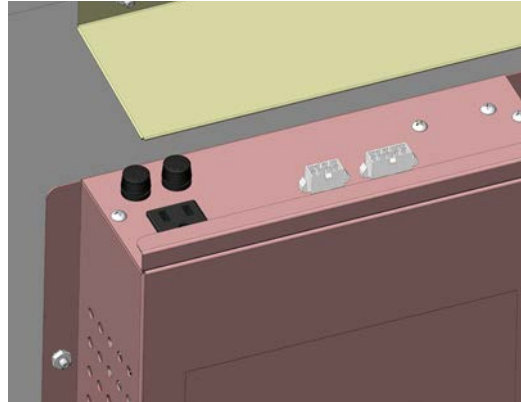
CART & GRILL ASSEMBLY *(continued)*



13. Reconnect all wires you disconnected in step 10. Reach inside the cart and connect the 8-pin and 10-pin connectors from the grill wire harness to the sockets on top of the electrical box. Make sure the wires are not touching any parts of the grill which get hot.

Note: The wires to the ROTIS MOTOR switch are clearly labeled with a red 110V sticker.

EN



14. At the rear of the cart, verify wires are not touching any parts of the grill which get hot, or could get caught in the chain drive, or the fan area of the motor. Also check the metal box covering the fan blades is not interfering with the rotation of the fan.

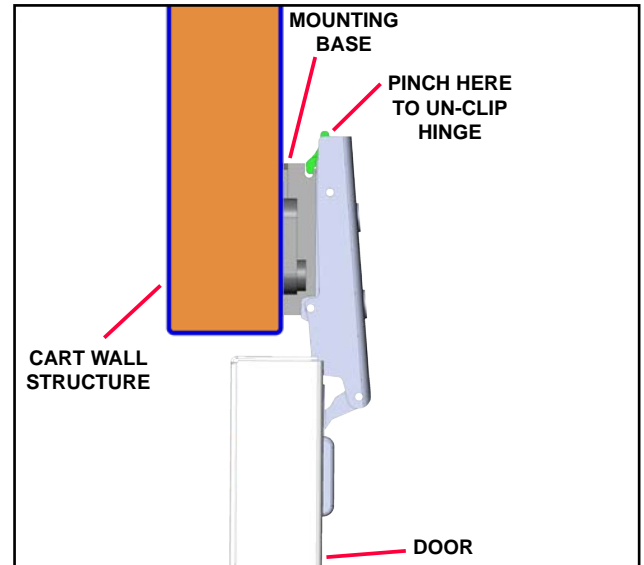
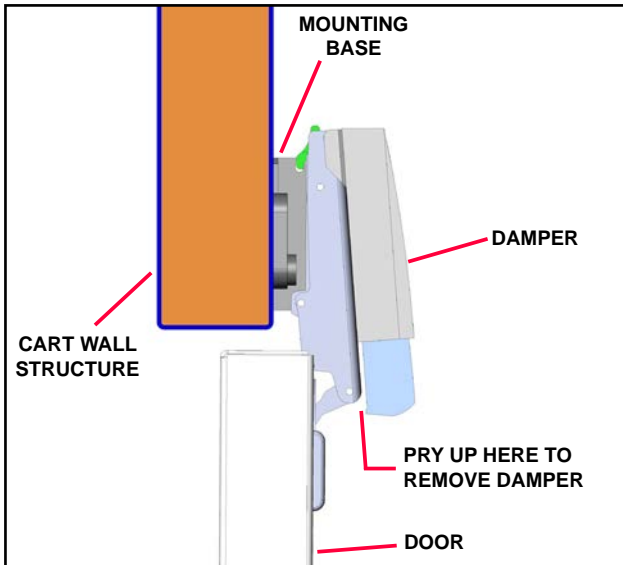


15. At this time, you can install the side shelves which came with your cart. Please see the instruction sheet supplied with the shelves.
16. Proceed with the remainder of the grill installation as documented in the Use & Care Manual that came with your Hestan grill. Follow all instructions for regulator installation, gas connections, leak testing, burner adjustment, etc. before using your grill. After all these steps are completed, you can re-install the control panel and knobs, and the rear access panel on the cart.



CART & GRILL ASSEMBLY *(continued)*

17. Your new Hestan cart comes with doors pre-installed and adjusted at the factory. However, it may be necessary to adjust them once the grill head is installed. As shown below, remove the damper to access the adjustment screws. If for some reason you wish to detach the door, pinch the back of the hinge to un-clip it from the mounting base. The door may now be removed.



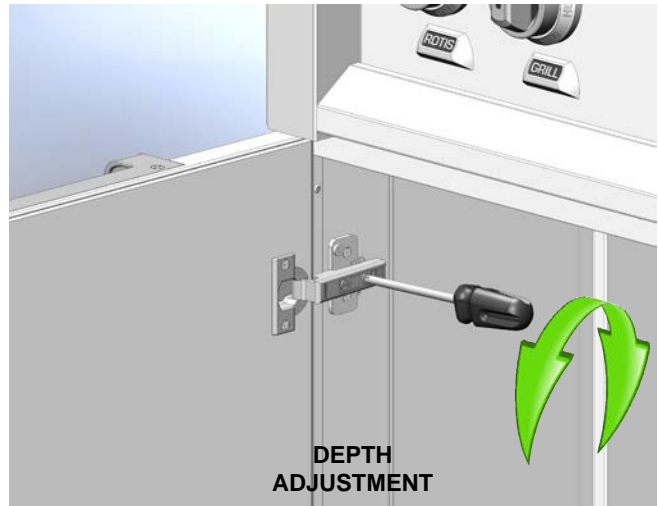
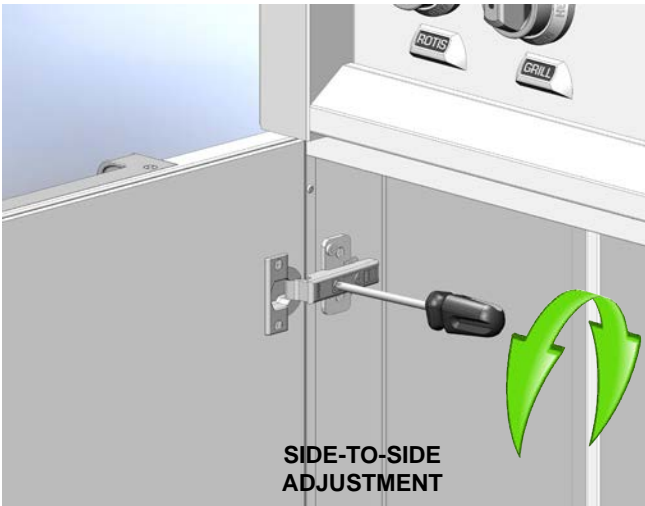
18. Hestan doors feature 3-way adjustable hinges. It is recommended to do the height adjustment first. Loosen the top & bottom screw on each mounting base, then use the height adjustment screw shown below to fine-tune the vertical height of the door in the cart. Tighten the top and bottom screws when done.



CART & GRILL ASSEMBLY *(continued)*

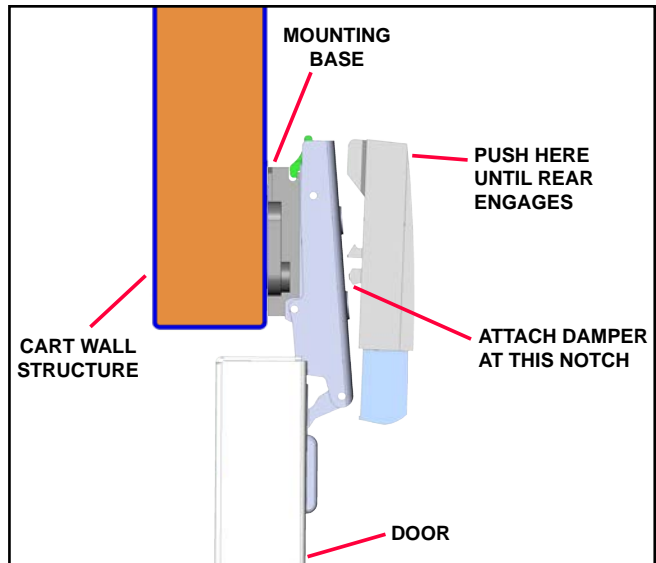
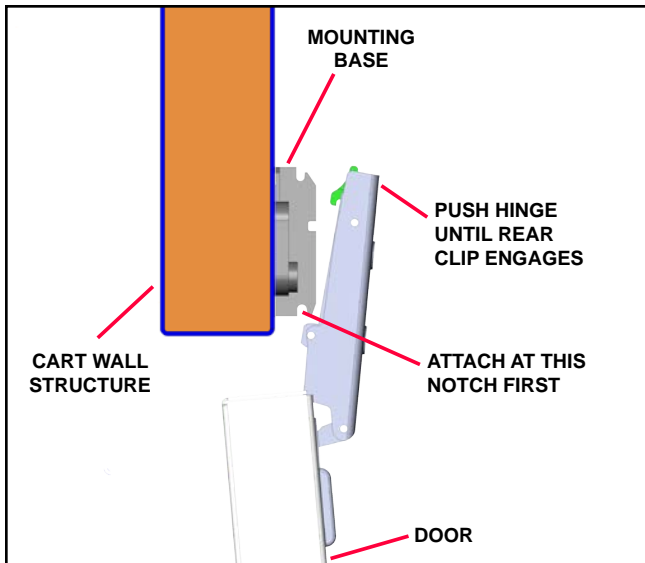


19. The side and depth adjustment of the doors are shown below.



EN

20. To re-install the door and/or damper, follow the instructions shown below.

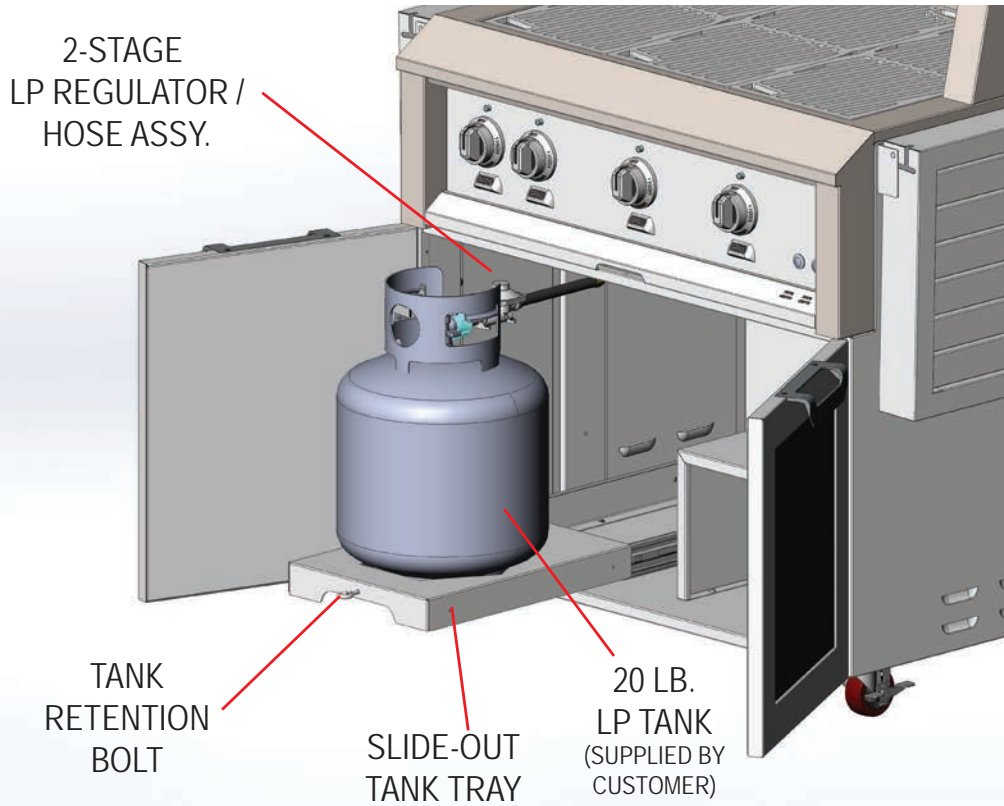




GAS CONNECTIONS

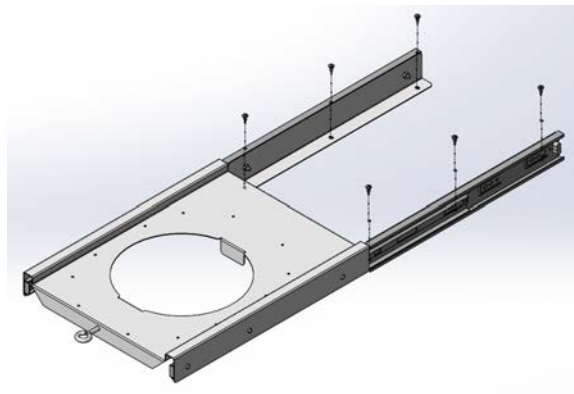
LP TANK RESTRAINT

Be sure to restrain the LP cylinder by securing it with the retention bolt on the slide-out tray as shown below. It is important the tank does not fall over or stretch the hose which could cause a gas leak.



REMOVAL OF SLIDE-OUT TANK TRAY

Should you wish to remove the slide-out tank tray because you are not using a portable LP tank, pull out the tray to its fully extended position, exposing 6 mounting screws. Use a Philips screwdriver to remove these screws and remove the mounting brackets.



LEAK TESTING

GENERAL

Although all gas connections on your Hestan grill are leak tested at the factory prior to shipment, a complete gas tightness check must be performed at the installation site due to possible movement in shipment, or excessive pressure unknowingly being applied to parts of the unit. Periodically check the whole system for leaks, or immediately check if the smell of gas is detected. Please read the Hestan Grill manual for complete instructions on proper leak testing of your grill before using.

PARTS LIST



Please visit the Hestan website to access the parts list for your Hestan Outdoor product:
www.hestanoutdoor.com.

SERVICE



All warranty and non-warranty repairs should be performed by qualified service personnel. To locate an authorized service agent in your area, contact your Hestan dealer, local representative, or the manufacturer. Before you call, please have the model number and serial number information ready. This information is shown on the rating sticker affixed to the underside of the drip tray of your appliance.

Hestan Commercial Products
3375 E. La Palma Avenue
Anaheim, CA 92806
(888) 905-7463

LIMITED WARRANTY



WHAT THIS LIMITED WARRANTY COVERS

Hestan Commercial Corporation (“HCC”) warrants to the original consumer purchaser of a Hestan outdoor gas product (the “Product”) from an HCC authorized dealer that the Product is free from defective materials or workmanship for a period of one (1) year from the date of original retail purchase or closing date for new construction, whichever period is longer (“Limited Warranty Period”). HCC agrees to repair or replace, at HCC’s sole option, any part or component of the Product that fails due to defective materials or workmanship during the Limited Warranty Period. This Limited Warranty is not transferable and does not extend to anyone beyond the original consumer purchaser (“Purchaser”). This Limited Warranty is valid only on Products purchased and received from an HCC authorized dealer in the fifty United States, the District of Columbia and Canada. This Limited Warranty applies only to Products in non-commercial use and does not extend to Products used in commercial applications.

HOW TO OBTAIN WARRANTY SERVICE

If the Product fails during the Limited Warranty Period for reasons covered by this Limited Warranty, the Purchaser must immediately contact the dealer from whom the Product was purchased or HCC at 888.905.7463.

Purchaser is responsible for making the Product reasonably accessible for service or for paying the cost to make the Product reasonably accessible for service. Service is to be provided during normal business hours of the authorized Hestan Commercial Service Provider. To the extent Purchaser requests service outside of the normal business hours of the authorized Hestan Commercial Service Provider, Purchaser will pay the difference between regular rates and overtime or premium rates. Purchaser is required to pay all travel costs for travel beyond 50 miles (one way) from the nearest authorized Hestan Commercial Service Provider.



LIMITED WARRANTY (continued)

EXTENSIONS TO ONE YEAR LIMITED WARRANTY PERIOD:

In addition to the One-Year Limited Warranty, the following components have extended warranty coverage as specifically set forth below:

1. The Product's stainless steel grill body, DiamondCut cooking grates and warming rack, stainless Trellis grill burners, Sear burners and rotisserie infrared burner (where applicable) are warranted to be free from defects in material and workmanship under normal non-commercial use and service for the lifetime of the original Purchaser. This excludes surface corrosion, scratches, and discoloration which may occur during normal use and is limited to replacement of the defective part(s), with the Purchaser paying all other costs, including labor, shipping and handling, as applicable.
2. The Product's spit rod, briquette trays, manifolds, gas valves and sealed burner assemblies (where applicable) are warranted to be free from defects in material and workmanship, under normal non-commercial use and service, for a period of five (5) years from the original date of purchase. This is limited to replacement of the defective parts, with the Purchaser paying all other costs, including labor, shipping, and handling, as applicable.

WHAT THIS LIMITED WARRANTY DOES NOT COVER:

This Limited Warranty does not cover and HCC will not be responsible for and will not pay for: damage to or defects in any Product not purchased from an HCC authorized dealer; color variations in color finishes or other cosmetic damage; failure or damage from abuse, misuse, accident, fire, natural disaster, commercial use of the Product, or loss of electrical power or gas supply to the Product; damage from alteration, improper installation, or improper operation of the Product; damage from improper or unauthorized repair or replacement of any part or component of the Product; damage from service by someone other than an authorized agent or representative of the Hestan Commercial Service Network; normal wear and tear; damage from exposure of the Product to a corrosive atmosphere containing chlorine, fluorine, or any other damaging chemicals; damage resulting from the failure to provide normal care and maintenance to the Product; damage HCC was not notified of within the Limited Warranty Period; and incidental and consequential damages caused by any defective material or workmanship.

ARBITRATION:

This Limited Warranty is governed by the Federal Arbitration Act. Any dispute between Purchaser and HCC regarding or related to the Product or to this Limited Warranty shall be resolved by binding arbitration only on an individual basis with Purchaser. Arbitration will be conducted by the American Arbitration Association ("AAA") in accordance with its Consumer Arbitration Rules or by JAMS. The arbitration hearing shall be before one arbitrator appointed by the AAA or JAMS. The arbitrator shall not conduct class arbitration and Purchaser shall not bring any claims against HCC in a representative capacity on behalf of others.

LIMITATION OF LIABILITY:

This Limited Warranty is the final, complete and exclusive agreement between HCC and Purchaser regarding the Product.

THERE ARE NO EXPRESS WARRANTIES OTHER THAN THOSE LISTED AND DESCRIBED ABOVE. NO WARRANTIES WHETHER EXPRESS OR IMPLIED, INCLUDING, BUT NOT LIMITED TO, ANY IMPLIED WARRANTIES OF MERCHANTABILITY OR FITNESS FOR A PARTICULAR PURPOSE SHALL APPLY AFTER THE LIMITED WARRANTY PERIOD STATED ABOVE. NO OTHER EXPRESS WARRANTY OR GUARANTY GIVEN BY ANY PERSON, FIRM OR CORPORATION WITH RESPECT TO THIS PRODUCT SHALL BE BINDING ON HCC. HCC ASSUMES NO RESPONSIBILITY THAT THE PRODUCT WILL BE FIT FOR ANY PARTICULAR PURPOSE, EXCEPT AS OTHERWISE PROVIDED BY APPLICABLE LAW.

HCC SHALL NOT BE LIABLE FOR LOSS OF REVENUE OR PROFITS, FAILURE TO REALIZE SAVINGS OR OTHER BENEFITS, OR ANY OTHER SPECIAL, INCIDENTAL OR

LIMITED WARRANTY *(continued)*



EN

CONSEQUENTIAL DAMAGES CAUSED BY THE USE, MISUSE OR INABILITY TO USE THE PRODUCT, REGARDLESS OF THE LEGAL THEORY ON WHICH THE CLAIM IS BASED, AND EVEN IF HCC HAS BEEN ADVISED OF THE POSSIBILITY OF SUCH DAMAGES. NO RECOVERY OF ANY KIND AGAINST HCC SHALL BE GREATER IN AMOUNT THAN THE PURCHASE PRICE OF THE PRODUCT.

WITHOUT LIMITING THE FOREGOING, YOU ASSUME ALL RISK AND LIABILITY FOR LOSS, DAMAGE OR INJURY TO YOU AND YOUR PROPERTY AND TO OTHERS AND THEIR PROPERTY ARISING OUT OF THE USE, MISUSE OR INABILITY TO USE THE PRODUCT NOT CAUSED DIRECTLY BY THE NEGLIGENCE OF HCC. THIS LIMITED WARRANTY STATES YOUR EXCLUSIVE REMEDY.

No oral or written representation or commitment given by anyone, including but not limited to, an employee, representative or agent of HCC will create a warranty or in any way increase the scope of this express Limited One Year Warranty. If there is any inconsistency between this Limited Warranty and any other agreement or statement included with or relating to the Product, this Limited Warranty shall govern. If any provision of this Limited Warranty is found invalid or unenforceable, it shall be deemed modified to the minimum extent necessary to make it enforceable and the remainder of the Limited Warranty shall remain valid and enforceable according to its terms.

INTERACTION OF LAWS WITH THIS LIMITED WARRANTY:

Some states, provinces or territories may not allow limitations on how long an implied warranty lasts or the exclusion or limitation of incidental or consequential damages, so the above limitations or exclusions may not apply to you. Some states, provinces or territories may provide for additional warranty rights and remedies, and the provisions contained in this Limited Warranty are not intended to limit, modify, take away from, disclaim or exclude any mandatory warranty requirements provided by states, provinces or territories, including certain implied warranties. This warranty gives you specific legal rights, and you may also have other rights which vary depending on location.

Any questions about this Limited Warranty may be directed to
Hestan Commercial Products at (888) 905-7463

RETAIN THIS MANUAL FOR FUTURE REFERENCE



Hestan Commercial Corporation

3375 E. La Palma Ave
Anaheim, CA 92806
(888) 905-7463