

Humidifier

User's manual

EN



SENCOR®

SHF 1005

Before operating this product, please, read the user's guide even if you have already been acquainted with the use of similar products. Only use this product in accordance with the instructions described in the user manual. Keep the user's manual in a safe place for future use.

Save the original packaging, material, warranty card and proof of purchase receipt, at least for the duration of the warranty policy. If you need to ship this product, pack it in the original cardboard box to ensure maximum protection during shipping or transport (e.g., when moving or when you need to send this product for repair).

EN-1

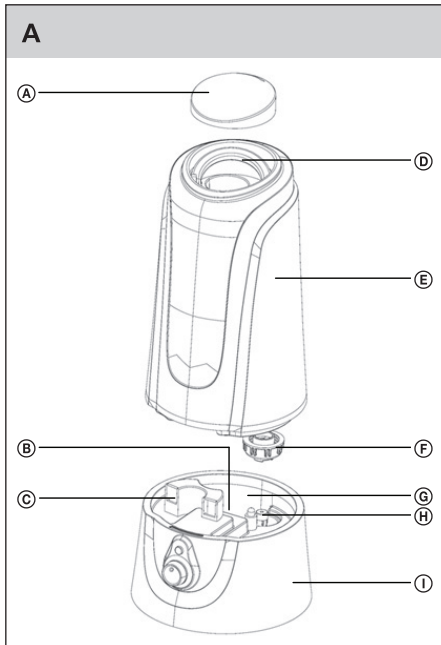
CONTENTS

IMPORTANT SAFETY NOTICE	3
Introduction	4
PRODUCT DESCRIPTION	4
PREPARATION FOR USE:	4
INSTRUCTIONS FOR USE	5
CLEANING AND MAINTENANCE	5
TROUBLESHOOTING	7
TECHNICAL SPECIFICATIONS	7
DISPOSAL OF USED ELECTRICAL AND ELECTRONIC EQUIPMENT	8
INSTRUCTIONS AND INFORMATION REGARDING THE DISPOSAL OF USED PACKAGING MATERIALS ...	8

IMPORTANT SAFETY NOTICE

- 1) Carefully unpack the product and take care not to throw away any part of the packaging before you find all the parts of the product.
- 2) This product must not be used by persons (including children) with physical or mental impairments or by inexperienced persons, unless properly trained or schooled in the safe use of the appliance, or unless they have been properly supervised by a qualified person who will be responsible for their safety.
- 3) Under no circumstances should you try to repair or modify the product on your own - danger of electric shock! Entrust all repairs and adjustments to a specialised company/service. Failure to do so may void the warranty.
- 4) Never use the product if you have wet hands or feet.
- 5) Store and use the product away from flammable or volatile materials and substances.
- 6) Keep the product away from extreme temperatures and direct sunlight. Do not use in a dusty environment.
- 7) Do not place the product near heaters, open fires or other appliances or equipment that are sources of heat.
- 8) This product is designed for household use. Do not use in industrial surroundings or outdoors!
- 9) Do not use the appliance for purposes other than those intended.
- 10) Before connecting this product to an electrical outlet, make sure the voltage stated on the label of the product corresponds to the voltage in your wall socket.
- 11) Do not place the power cord near hot surfaces, or over sharp objects. Do not place heavy objects on the power cord. Position the cable so that it will not be stepped on or tripped over. Make sure the power cord is not touching a hot surface.
- 12) If the appliance's power cord is damaged, have an authorised service or qualified person replace it, in order to prevent hazards. It is forbidden to use the product if it has a damaged power cord or power plug.
- 13) Do not disconnect the power cord from the wall outlet by pulling the cord.
- 14) Do not submerge the product in water or any other liquid.
- 15) Never use the product near a bathtub, wash basin or any other container filled with water.
- 16) If you are not using the product, or if you know that you will not be using it soon, turn it off and disconnect the power cord from the wall socket. Prior to cleaning, proceed in the same manner.
- 17) Use extra care if the product is used near children. Children must be supervised to ensure that they do not play with the product.
- 18) Do not touch the water condensation surfaces inside the humidifier with any hard object.
- 19) Do not shake the humidifier, and make sure it does not fall on the floor.
- 20) Never place the humidifier on a sloped surface.
- 21) The nozzle for releasing steam must not be turned directly towards a wall.
- 22) Excessive humidity in a room may cause the condensation of water on windows and objects in the interior. If such a situation occurs, turn off the humidifier.
- 23) The manufacturer takes no responsibility for damages caused by the incorrect use of this appliance and its accessories (injuries, burns, scalding, fire, food spoilage, etc.).

PRODUCT DESCRIPTION



- Ⓐ Nozzle for steam release
- Ⓑ transducer - surface for the condensation of water (not illustrated, it is located at the bottom of the water flume)
- Ⓒ Steam outlet
- Ⓓ Water tank holder
- Ⓔ water tank
- Ⓕ water tank cap
- Ⓖ Water flume
- Ⓗ Water level detector
- Ⓘ Base

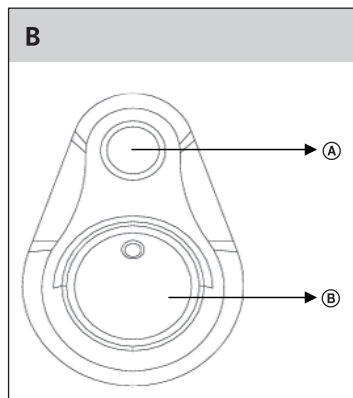
PREPARATION FOR USE:

- 1) Check that the humidifier is turned off and disconnected from the power socket.
- 2) Place the humidifier on an even surface, approximately 60 cm above the floor level and 10 cm away from the wall. We recommend that you do not place the humidifier on valuable furniture.
- 3) Instructions for filling the water tank:
 - Remove the water tank by holding the handles and lifting it directly upwards.
 - Unscrew the water tank cap on the underside of the tank in the anti-clockwise direction and fill the tank with cold tap water.
 - After filling the water tank return the cap back to its position and firmly screw into place in the clockwise direction and return the water tank back into the base of the appliance. The tank will immediately start to empty itself into the base.
- 4) Connect the power cord to a power point with the nominal voltage.

**Warning**

- Do not pour warm water into the tank.
- Never remove the water tank if the humidifier is running and connected to the electrical outlet.
- During operation, never touch the water condensation surfaces.

INSTRUCTIONS FOR USE



A ... Indicator "on" and low water level

- Green colour = indicates that the appliance is on
- Červená barva = indicates an insufficient water level (in such a case fill with water exactly according to the instructions for filling of the water tank)

B ... On/off switch and switch for controlling the amount of released steam

- Turn the switch clockwise to turn on the humidifier, and to increase the amount of released steam.
- Turn the switch anti-clockwise to decrease the amount of released steam or to turn off the humidifier.

If the tank is filled to the brim, expected operation time is 20 hours, depending on the steam intensity selected.

When the reservoir runs out of water, the humidifier automatically shuts off.

CLEANING AND MAINTENANCE



Warning

Before cleaning disconnect this product from the power source.

To clean the outer parts of the product, use a soft cloth dipped in lukewarm water. Do not use aggressive cleaning products and solvents as this could damage the surface of the product.

To ensure the best possible operation of your humidifier and to avoid its malfunction, please, follow all maintenance instructions. If you do not follow the following recommended instructions for the care of the device, then microorganisms may multiply inside the water of the humidifier.

DAILY MAINTENANCE

- 1) Prior to cleaning, turn the humidifier off and remove it from the socket.
- 2) Lift the tank.
- 3) Take the water tank to the sink, empty it and rinse thoroughly to remove residue and dirt. Clean it and dry its surface with a fine clean cloth or a paper towel.
- 4) Fill up the water tank with cold tap water following the instructions for filling of the water tank.

WEEKLY MAINTENANCE

- 1) Repeat the above mentioned steps 1 to 3.
- 2) Pour approximately 200ml of vinegar into the water dish and allow to take effect for 15 minutes. Then using the supplied brush remove the scale in the water dish, namely on the transducer.
- 3) Using a fine clean cloth, remove the solution of scale and vinegar.



Warning

- If the same water remains in the tank for longer than 1 week, change it at least once per week.

Humidifier

SHF 1005

EN

TROUBLESHOOTING

PROBLEM	MOST LIKELY CAUSE	SOLUTION
The humidifier does not work	The power cord is not inserted in the power point	Insert the power cord into the power point
The on indicator is on but no steam is released	There is no water in the water tank	Add water to the water tank
The steam has an unpleasant odour	New device	Open the water tank and leave it for 12 hours in a cool and shaded place.
	Dirty water or water was left in the tank too long.	Clean the water tank or change the water.
The on indicator is on but the humidifier does not work	Too much water in the water flume	Remove some water from the water flume
Not enough steam is released	The transducer is dirty	Clean the transducer with a clean brush
	The water is too dirty or water was left in the tank too long.	Clean the water tank or change the water.
Unusual noise	The water tank resonates if there is not enough water	Add water to the water tank
	The appliance is placed on an unstable surface	Place the device on a stable even surface
Very tightly fastened tank cap	Fastened too tight	To make opening easier put some liquid soap on the cap seal

TECHNICAL SPECIFICATIONS

Voltage	230 V AC
Nominal frequency:	50 Hz
Rated power input:	25 W
Safety class (with regard to electric shock protection)	II
Capacity of the water tank	3 l
Humidifier output	150ml/hour
Operating time per fill:	20 hours
Dimensions (width x depth x height)	171 x 171 x 350 mm
Weight	2,0 kg
Noise level:	25 dB(A)

The declared noise emission level for this appliance is 25 dB(A), which represents level A of the acoustic power relative to the reference acoustic power of 1 pW.

Amendments to text and technical parameters are reserved.

INSTRUCTIONS AND INFORMATION REGARDING THE DISPOSAL OF USED PACKAGING MATERIALS

Dispose of packaging material at a public waste disposal site.

DISPOSAL OF USED ELECTRICAL AND ELECTRONIC APPLIANCES



The meaning of the symbol on the product, its accessory or packaging indicates that this product shall not be treated as household waste. Please, dispose of this product at your applicable collection point for the recycling of electrical & electronic equipment waste. Alternatively in some states of the European Union or other European states you may return your products to your local retailer when buying an equivalent new product. The correct disposal of this product will help save valuable natural resources and help in preventing the potential negative impact on the environment and human health, which could be caused as a result of improper liquidation of waste. Please ask your local authorities or the nearest waste collection centre for further details. The improper disposal of this type of waste may fall subject to national regulations for fines.

For business entities in the European Union

If you wish to dispose of an electrical or electronic device, request the necessary information from your seller or supplier.

Disposal in other countries outside the European Union

If you wish to dispose of this product, request the necessary information about the correct disposal method from local government departments or from your seller.



This product meets all the basic EU regulation requirements that relate to it.

Changes to the text, design and technical specifications may occur without prior notice and we reserve the right to make these changes.