

ASSEMBLY AND INSTALLATION INSTRUCTIONS

350-4826

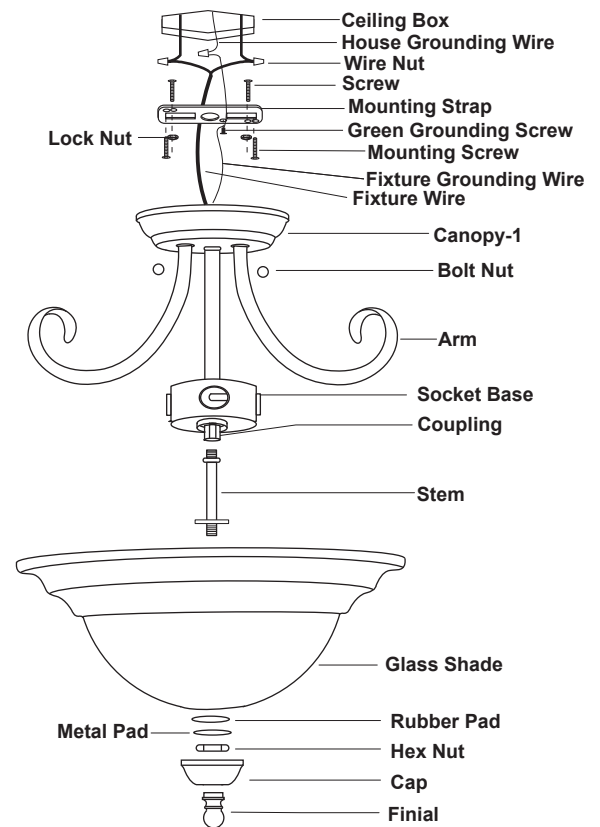
WARNING: TO AVOID RISK OF ELECTRICAL SHOCK, BE SURE TO SHUT OFF POWER WHILE INSTALLING OR SERVICING THIS FIXTURE.

NOTE: Before installing, consult local electrical codes for wiring and grounding requirements.

Installation Steps

For Semi-Flush

1. Attach two screws to the mounting strap, and secure with two lock nuts. **(You can adjust the length of the screws if necessary.)**
2. Attach the mounting strap to the ceiling box by using two mounting screws.
3. Adjust the arms of the fixture according to the drawing of the package.
Important to know:
 - a. The distance between the arms should be equally distanced.
 - b. The arms should be fixed securely.
4. Cut the redundant wires if necessary, and make wire connections with wire nuts:
 - Connect the smooth wire (marked) from fixture to the black wire from power source.
 - Connect the ridged wire (unmarked) from fixture to the white wire from power source.
 - Attach the fixture grounding wire to the mounting strap with the green grounding screw. Then connect it to the house grounding wire with the wire nut.
 Carefully tuck wires back into the ceiling box. □
5. Unscrew two bolt nuts from the canopy-1, attach the canopy-1 to the mounting strap, and secure with the bolt nuts.
6. Secure the stem into the coupling.
7. Install bulbs. **(Please do not exceed the maximum capacity that is recommended on the package.)**
8. Attach the glass shade, rubber pad and metal pad upward to the stem, and then secure with the hex nut.
9. Attach the cap upward to the glass shade, and then secure with the finial.
10. Turn on the power at fuse or circuit box.



For Pendant:(See Fig.1)

1. Attach the nipple-1 to the mounting strap, and secure with a washer and a hex nut.
2. Attach the mounting strap to the ceiling box by using two mounting screws.
3. Follow step 3 as for Semi-Flush.
4. Thread the fixture wire and fixture grounding wire through the loop, and secure the loop onto the nipple-2.
5. Choose a certain length of the chain you need, and weave the fixture wire and the fixture grounding wire through the chain links. Spread one end of the chain link to clamp securely to the loop.
6. Secure the top loop to the nipple-1.
7. Thread the fixture wire and fixture grounding wire through the collar, canopy-2, top loop, nipple-1 and mounting strap in order.
8. Clamp the other end of the chain link to the top loop.
9. Follow step 4 as for Semi-Flush.
10. Attach the canopy-2 to the mounting strap by inserting the top loop, and secure with the collar.
11. Follow steps 6~10 as for Semi-Flush.

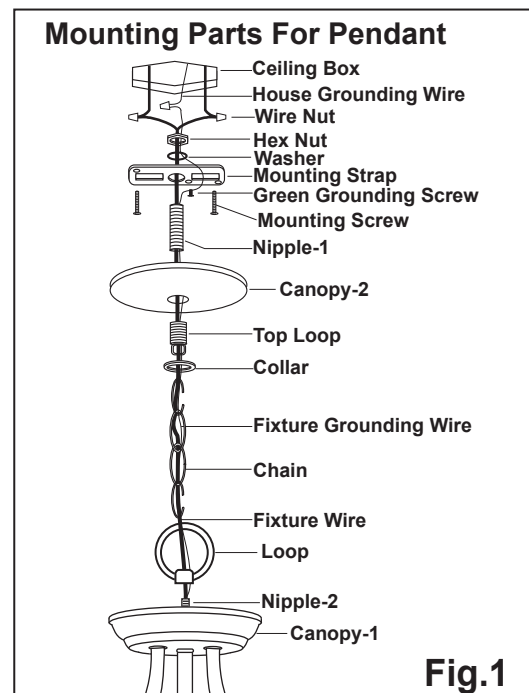


Fig.1

Patriot Lighting™

050906