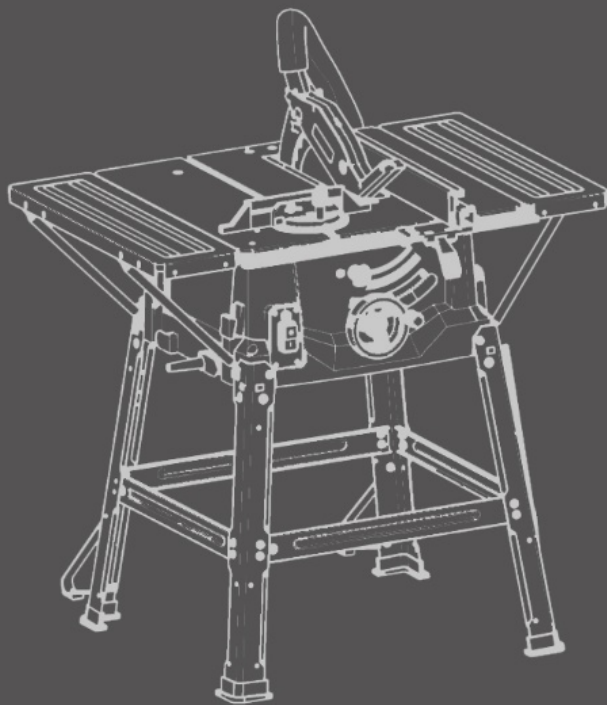


**HYUNDAI**  
POWER PRODUCTS

# TABLE SAW HYTS1800E

Instruction Manual



WARNING: Read the instructions carefully before use.

# Contents

<b>Introduction.....</b>	<b>3</b>	<b>Maintenance &amp; Care.....</b>	<b>33-35</b>
<b>Safety Information.....</b>	<b>4-13</b>	General Maintenance.....	33
Understand Your Machine.....	4	Storage.....	33
Personal Safety.....	4-5	Cleaning.....	33
Inspect Your Machine.....	5-6	Blade Replacement.....	34
Work Area.....	6	Blade Angle Calibration.....	35
Table Saw Safety.....	7	Troubleshooting.....	36
During Use.....	8	<b>Specifications.....</b>	<b>37</b>
Batteries.....	9	<b>Recycling And Disposal.....</b>	<b>38</b>
Electricity.....	10	<b>Declaration Of Conformity.....</b>	<b>39</b>
Double Insulated Devices.....	10	<b>Notes.....</b>	<b>40-41</b>
Vibrations.....	11	<b>Useful Information.....</b>	<b>42</b>
Noise.....	11	Our YouTube Channel.....	42
Residual Risks.....	12	Warranty.....	42
Intended Use.....	13	Manual Updates.....	42
Personal Protective Equipment.....	14	Returning Your Product.....	42
Symbols On The Machine.....	15	Leaving A Review.....	42
<b>Unboxing.....</b>	<b>15</b>	Ordering Spare Parts.....	42
<b>In The Box.....</b>	<b>16-17</b>	<b>Product Record.....</b>	<b>43</b>
<b>Features.....</b>	<b>18-19</b>	<b>Contact Us.....</b>	<b>44</b>
<b>Assembly.....</b>	<b>20-28</b>		
Assembly Overview.....	20		
Attach Table Extensions.....	21		
Attach Extension Supports.....	22		
Attach Legs.....	23		
Attach Leg Braces.....	24		
Install Fence Rail.....	25		
Install Riving Knife.....	26		
Install Blade Guard and Extraction Hose.....	27		
Install Mitre Gauge and Fence Rail.....	28		
<b>Operation.....</b>	<b>29-32</b>		
Blade Dimensions.....	29		
Blade Adjustment.....	30		
Cutting Illustrations.....	31		
Starting and Stopping.....	32		

# Introduction

## Thank You For Purchasing Your HYUNDAI Product

We work very hard to give all of our customers the best possible service. If you have any problems, before leaving negative feedback, please contact us to give us a chance to resolve the issue. We would be delighted if you left us positive feedback! Thank you for purchasing this product.

## Important!



**WARNING: READ THE INSTRUCTION BOOKLET THOROUGHLY BEFORE USING THE MACHINE.** Keep for future reference and pass it on if the machine is loaned or sold to another user.

This manual has been produced by Hyundai Power Products and should be kept with the product. Please read and understand these instructions before you use your product. Failure to do this may result in personal injury or damage to the product.

The safety precautions and warnings are to ensure your safety and protect you from harm or damage to the product.

The information contained in this manual was accurate at the time of production, however HYUNDAI Power Products may make modifications to the product without notification.

# Safety Information

## **Understand Your Machine**

- **WARNING!** You must read these instructions carefully before operating the machine. Make sure that you are familiar with the controls and properly operate the machine. You must learn how to stop the machine quickly. If you do not follow the warnings and instructions, it may result in fire and/or serious injury. Make sure to save all warnings and instructions for future reference.
- Read this manual and labels affixed to the machine to understand its limitations and potential hazards.
- Be thoroughly familiar with the controls and their proper operation. Know how to stop the machine and disengage the controls quickly.
- If the unit is to be used by someone other than original purchaser, or is to be loaned, rented, or sold, always provide this manual and any needed safety training before operation. The user can prevent and is responsible for accidents or injuries that may occur to themselves, to other people, or to property.
- Do not force the machine beyond its limits. Use the correct machine for your application.
- Know how to stop the machine quickly in case of emergency. Understand the use of all controls.
- ALL MAINTENANCE other than that listed in this manual, should be carried out by professionally trained and certified personnel.
- When using this machine for the first time and before actual work, you **MUST** learn how to handle the machine from an experienced or skilled person.

## **Personal Safety**

- **WARNING!** Never allow children or people unfamiliar with these instructions to use the product. Local regulations can restrict the minimum age of the operator.
- Keep children, pets, and other people not using the unit away from the work area (at least 15m). Be alert and shut off the unit if anyone enters work area. Keep children under the watchful care of a responsible adult.
- Stay alert, watch what you are doing and use common sense when operating the machine. Never operate the machine when unwell or tired, or if you have taken alcohol, medicine, drugs or any substances which may slow your reflexes and compromise judgment. A moment of inattention while operating the machine may result in serious personal injury.
- Appropriate Personal Protective Equipment (PPE), **MUST** be worn at all times when operating or repairing the machine. Always wear anti-slip and resistant work footwear and long trousers while using the machine. Do not use the machine when barefoot, wearing sandals or similar lightweight footwear. Do not wear chains, bracelets or clothing that is loose fitting or hanging ties or cords. Tie long hair back. Always wear protective earplugs. Loose clothes, jewellery, or long hair can be caught in moving parts. Protect eyes, face, and head from objects that may be thrown from the unit. Always wear safety goggles or safety glasses with side shields when operating.
- Always keep hands and feet away from all moving parts during operation. Moving parts can cut or crush body parts. Always keep hands and feet away from all pinch points.

# Safety Information

## Personal Safety (Continued)

- Do not touch parts that might be hot from operation. Allow parts to cool before attempting to maintain, adjust, or service.
- Do not overreach. Keep proper footing and balance at all times. This enables better control of the machine in unexpected situations. Extending your body too far can result in a loss of balance and you may fall which will result in injury.
- Never place any part of your body where it would be in danger if movement should occur during assembly, installation, and operation, maintenance, repairing or moving.
- Keep in mind that the operator or user is responsible for accidents, hazards or unexpected events involving the machine that occur to other people or their property. It is the responsibility of the user to assess the potential risk of the area where work is being carried out. The operator or user must take all necessary precautions to ensure their own safety and that of others, especially on slopes or rough, slippery and unstable ground.

## Inspect Your Machine

- Check your machine before starting it. Keep guards in place and in working order. Make sure all nuts, bolts, etc., are securely tightened.
- You must check the general condition of the machine before use.
- Never operate the machine when it is in need of repair or is in poor mechanical condition. Replace damaged, missing, or failed parts before using it. Check for fuel leaks. Keep the machine in safe working condition.
- Do not use the machine if the machine's switch does not turn off the machine when running. Any machine that can't be controlled with the switch is dangerous and must be replaced.
- Regularly check to see that keys and adjusting wrenches are removed from the machine area before starting it. A wrench or a key that is left attached to a rotating part of the machine may result in personal injury.
- If the machine should start to vibrate abnormally, stop the machine and check immediately for the cause. Vibration is generally a warning sign of trouble.
- Avoid accidental starting. Be sure the switch is off before transporting the machine or performing any maintenance or service on the unit. Transporting or performing maintenance or service on a machine with its switch on invites accidents.
- Do not tamper with or disable safety systems.
- Only use manufacturer-recommended attachments.
- Before using, always visually inspect to see that the tools are not worn out or damaged. Replace worn out or damaged elements and bolts in set to preserve balance.
- Keep the machine in good operating condition. Operating the machine in poor or questionable condition could result in serious injury.
- Be sure all safety devices are in working order and warning labels are in place. These items are installed for your safety.

# Safety Information

## Work Area

- You must only work in daylight or with good artificial light in good visibility conditions. Do not work at night, at times of heavy fog, or at any other times when your field of vision might be limited and it would be difficult to gain a clear view of the area.
- Keep people, children and animals away from the working area.
- Operate on flat, level ground.
- DO NOT work on wet ground. If there has been heavy rain on the working site, wait until the ground has dried up.
- Never park the machine in a place with unstable ground which could give way.
- You must be careful near ravines, ditches or embankments.
- Exercise extreme caution when operating on or crossing gravel drives, walks, or roads. Stay alert for hidden hazards or traffic.
- Do not work in the rain, when there is a thunderstorm or lightning risk, at times of strong or gale force winds, or at any other times when the weather conditions might make it unsafe to use this product. If there is bad weather conditions, do not use the machine.
- Make sure you thoroughly inspect the entire work area and remove all objects and anything that could be thrown by the machine or could damage the machine (branches, stones, wire, toys, etc). Attempting to clear the work area whilst using the machine will reduce your concentration and creates a trip hazard. Any liquid spilled on the floor may result in you slipping.
- Find and locate all fixed objects in the ground, such as sprinkler systems, poles, water valves, bases for washing lines etc. Make sure that you check for hidden electrical cables or similar on the surface of the lawn. ALWAYS run the machine around these objects. NEVER run the machine over foreign objects.
- DO NOT operate power tools in explosive atmospheres, such as in the presence of flammable liquids, gases or dust. Power tools may create sparks, which may ignite the dust or fumes.
- This machine is only for outdoor use.

# Safety Information

## Table Saw Safety

- Keep guards in place. Guards must be in working order and be properly mounted. A guard that is loose, damaged, or is not functioning correctly must be repaired or replaced.
- Always use saw blade guard, riving knife and anti-kickback device for every through-cutting operation. For through-cutting operations where the saw blade cuts completely through the thickness of the workpiece, the guard and other safety devices help reduce the risk of injury.
- Make sure the saw blade is not contacting the guard, riving knife or the workpiece before the switch is turned on. Inadvertent contact of these items with the saw blade could cause a hazardous condition.
- Adjust the riving knife as described in this instruction manual. Incorrect spacing, positioning and alignment can make the riving knife ineffective in reducing the likelihood of kickback.
- Never use the mitre gauge to feed the workpiece when ripping and do not use the rip fence as a length stop when cross cutting with the mitre gauge. Guiding the workpiece with the rip fence and the mitre gauge at the same time increases the likelihood of saw blade binding and kickback.
- Use only the push stick provided by the manufacturer or constructed in accordance with the instructions. This push stick provides sufficient distance of the hand from the saw blade.
- Do not perform any operation "freehand". Always use either the rip fence or the mitre gauge to position and guide the workpiece. "Freehand" means using your hands to support or guide the workpiece, in lieu of a rip fence or mitre gauge. Freehand sawing leads to misalignment, binding and kickback.
- Feed workpiece at an even pace. Do not bend or twist the workpiece. If jamming occurs, turn the tool off immediately, unplug the tool then clear the jam. Jamming the saw blade by the workpiece can cause kickback or stall the motor.
- Kickback is a sudden reaction of the workpiece due to a pinched, jammed saw blade or misaligned line of cut in the workpiece with respect to the saw blade or when a part of the workpiece binds between the saw blade and the rip fence or other fixed object. Most frequently during kickback, the workpiece is lifted from the table by the rear portion of the saw blade and is propelled towards the operator.

# Safety Information

## During Use

- Do not operate the machine in confined areas where there may be a risk of crushing the operator between the machine and another object.
- Never attempt to make any adjustments, while the machine is running.
- You must switch off the machine:
  - Before checking or working on the machine.
  - When transporting the machine.
  - Whenever you leave the machine unattended.
  - If the machine starts to vibrate abnormally.
- **WARNING!** If something breaks or an accident happens whilst working, you must turn off the machine immediately and move the machine away to prevent further damage. If an accident happens with injuries or third parties are injured, carry out the first aid measures most suitable for the situation immediately and contact the medical authorities for any necessary health care. Carefully remove any debris that might cause damage or harm persons or animals should it not be seen.
- After striking a foreign object, stop the machine immediately and inspect the machine thoroughly for damage. Repair the damage before continuing.
- Keep extension cord away from moving parts.
- Never operate the machine with damaged guards or without the guard in place.
- Keep hands and feet away from the moving parts at all times especially when switching on the motor.
- Never cut more than one workpiece, stacked vertically or horizontally. The saw blade could pick up one or more pieces and cause kickback.
- Use extra caution when cutting a workpiece that is twisted, knotted, warped or does not have a straight edge to guide it with a mitre gauge or along the fence. A warped, knotted, or twisted workpiece is unstable and causes misalignment of the kerf with the saw blade, binding and kickback
- Use extra caution when making a cut into blind areas of assembled workpieces. The protruding saw blade may cut objects that can cause kickback.
- Never hold and press the workpiece that is being cut off against the rotating saw blade. Pressing the workpiece being cut off against the saw blade will create a binding condition and kickback.
- Never reach over or in back of the saw blade to pull or to support the workpiece. Accidental contact with the saw blade may occur or kickback may drag your fingers into the saw blade.
- Never stand directly in line with the saw blade. Always position your body on the same side of the saw blade as the fence. Kickback may propel the workpiece at high velocity towards anyone standing in front and in line with the saw blade

# Safety Information

## Batteries (Where Present)

Batteries present a risk if they become damaged by the possible leaking of electrolyte. This electrolyte is an acid and can cause serious burn injuries. Care should be taken when working on or near them. **NOTE:** the electrolyte may be in a liquid or gel form.

Should you come in to contact with electrolyte you should;

- Remove all clothing contaminated with electrolyte. If you cannot remove then saturate them in water.
- Get medical assistance as soon as possible.

You must advise the medical staff of the type of acid.

- Lead/acid battery = dilute sulphuric acid.
- Nickel/cadmium = potassium hydroxide alkali electrolyte.
- Use fresh running water to wash off excess electrolyte, continue this until medical assistance arrives. Make sure that you do not wash the electrolyte to another part of your body or face.
- If electrolyte comes in to contact with Eyes the electrolyte needs to be immediately washed away with large amounts of water. Make sure that you do not wash the electrolyte to another part of your face or body.
- Gasses from charging batteries are highly flammable and great care should be taken to charge in well ventilated areas.



- There is an explosion risk if the battery terminals are short circuited, when connecting/disconnecting ALWAYS exercise great care so that the terminals or battery leads are NOT allowed to touch and cause a spark. ALWAYS use suitable insulated tools.

## Electricity (Where Applicable)

**DANGER : ELECTRICITY CAN KILL – NEVER WORK ON LIVE / ENERGISED EQUIPMENT.**



- Prior to carrying out any maintenance work you MUST identify electrical isolation methods and isolate all electrical supplies.
- Prior to use and with all electrical supplies isolated, you MUST check all electrical cables, plugs and connectors for the following;
  - Are intact and have no signs of damage, to include but not limited to bare wires, chaffing, cuts and loose wiring.
  - If there are any signs of damage, the damaged item MUST be taken out of service until the damage has been repaired by an electrically competent person.
  - All trailing cables should be routed so as not to cause any kind of trip hazard.
  - NEVER work on or near electricity with wet hands, wet clothing and wet gloves.

# Safety Information

## Electricity (Continued)

- Power tools plug must match the outlet. Never modify the plug in any way. DO NOT use any adapter plugs with earthed (grounded) power tools. Unmodified plugs and matching outlets will reduce risk of electric shock.
- DO NOT expose this power tool to rain or wet conditions. Water entering a power tool will increase the risk of electric shock. DO NOT abuse the power cord. Never use the cord for carrying, pulling or unplugging the power tool. Keep the cord away from heat, oil and sharp edges or moving parts. Damaged or entangled cords increase the risk of electric shock. When operating a power tool, use an extension cord suitable for outdoor use. Use of a cord suitable for outdoor use reduces the risk of electric shock.
- **IMPORTANT:** Make sure that the electric circuit is fused, and that the power, voltage and frequency of the motor is supported by your mains supply. Also, make sure that your power supply is earthed. Connect your machine to earth. Never open the ON/OFF switchbox. However, if it should become necessary to do so, contact a qualified electrician. Make sure that you will never touch live contacts, specifically when you plug or unplug your machine. This machine and its power cord must never get into contact with water.
- Avoid body contact with earthed or grounded surfaces such as pipes, radiators, ranges and refrigerators. There is an increased risk of electric shock if your body is earthed or grounded.
- To prevent electric shock, use only with an extension cord suitable for outdoor use. For additional protection, the installation of a residual current device (RCD) having a rated residual operating current not exceeding 30mA is advisable.
- Before use, check that the extension cord is in good condition. When using an extension cord, make sure to use one heavy enough to carry the current your product will draw. An undersized cord will cause a drop in line voltage resulting in loss of power and overheating.
- Do not allow any part of the machine to make contact with water while it is in operation. If the appliance becomes wet while turned off, wipe dry before starting. Do not touch the appliance or its plug with wet hands or while standing in water. Wearing rubber boots offers some protection.
- Before use, check the supply and extension cord for signs of damage or aging. If the cord becomes damaged during use, disconnect the cord from the supply immediately. If the supply cord is damaged, it must be replaced by the manufacturer or a qualified person in order to avoid a hazard.

## Double-Insulated Appliances

In a double-insulated appliance, two systems of insulation are provided instead of grounding. No grounding means that it is already provided on a double-insulated appliance. Servicing a double-insulated appliance requires extreme care and knowledge of the system, and should be performed only by qualified service personnel. Replacement parts for a double-insulated appliance must be identical to the parts they replace.

# Safety Information

## Vibrations (Where Applicable)

- Prolonged use of hand held (operated) machines will cause the user to feel the effects of/from vibrations. These vibrations can lead to white finger (Raynaud's phenomenon) or carpal tunnel syndrome. This condition reduces the ability of the hand to feel and regulate temperature, causing numbness and heat sensations and may cause nerve damage and circulatory tissue death.
- Not all factors that lead to white finger disease are known, but cold weather, smoking and other diseases that affect blood vessels and blood circulation as well as large and long-lasting impact of shocks are considered factors in the formation of white finger. Note the following to reduce the risk of white finger and carpal tunnel syndrome;
- Wear gloves and keep your hands warm.
- Take regular breaks.
- All of the above precautions may help reduce the risk of white finger disease but not rule out the carpal tunnel syndrome. Long-term and regular users are therefore recommended to observe the condition of your hands and fingers. Seek medical attention immediately if any of the above symptoms should occur.

## Noise (Where Applicable)

- The operating noise of the machine can damage your hearing. When wearing protection such as earplugs or ear defenders to protect your hearing. Long-term and regular users are advised to have hearing checked regularly. Be especially vigilant and cautious when wearing ear protection because your ability to hear alarm warnings will be reduced.
- Noise emissions for this equipment is unavoidable. Carry out noisy work at approved times and for certain periods. Limit the working time to a minimum. For your personal protection and protection of people working nearby it is also advisable for them to wear hearing protection.



- See Certificate of Conformity section for Outdoor Noise declaration of conformity.

## Residual Risks

Even when tool is used as prescribed it is not possible to eliminate all residual risk factors. The following hazards may arise in connection with the tool's construction and design:

1. Damage to lungs if an effective dust mask is not worn.
2. Damage to hearing if effective hearing protection is not worn.

Health defects resulting from vibration emission if the power tool is being used over longer period of time or not adequately managed and properly maintained.

**▲ WARNING!** This machine produces an electromagnetic field during operation. This field may under some circumstances interfere with active or passive medical implants. To reduce the risk of serious or fatal injury, we recommend persons with medical implants to consult their physician and the medical implant manufacturer before operating this machine.

# Safety Information

## **Intended Use**

The HYTS1800E is an electric Table Saw from HYUNDAI. The HYTS1800E is powered by a 1800W HYUNDAI motor.

This machine is specifically a pedestrian tool, manufactured according to the latest safety requirements. Every precaution is only effective when it's followed exactly.

### **Intended Use**

This machine was designed and manufactured for cutting wood and timber, allowing for multi-angled accurate cuts.

### **User Types**

This machine is intended for use by consumers, i.e. non professional operators. The machine is intended for "DIY" and domestic use only.

### **Improper Use**

Any other usage not in keeping with the above mentioned ones may be hazardous and harm persons and/or damage things. Examples of improper use may include, but are not limited to:

- Using the machine to cut metals and ceramics.
- Using the machine on multiples workpieces at once.
- Using the machine to open any form of container.

# Safety Information

## Personal Protective Equipment

**Appropriate Personal Protective Equipment (PPE), MUST be worn at all times when operating or repairing the machine. No protective equipment can ensure 100% protection.**

When selecting PPE, make sure it's CE marked and it suits the user in terms of size, fit, etc. If more than one item of PPE is worn at the same time, make sure they can be used together, e.g. wearing safety glasses may disturb the seal of a respirator, causing air leaks.



### **Hand Protection Must Be Worn**

Protective electrically non-conductive gloves are highly recommended when working.



### **Foot Protection Must Be Worn**

Non-skid heavy duty footwear are highly recommended when working.



### **Hearing Protection Must Be Worn**

Suitable safety hearing protection is recommended.



### **Eye Protection Must Be Worn**

Always wear safety glasses/goggles and/or face shields. Everyday eyeglasses have only impact resistant lenses; they are not safety glasses/goggles.



### **Protective Clothing Must Be Worn**

Do not wear loose clothing, gloves, scarfs, neckties or jewellery (rings, wrist watches), which can be caught in moving parts.



### **Head Protection Must Be Worn**

Wear a safety helmet with a safety visor.

















### **Face Shield Must Be Worn**

Wear a face shield to protect your face.

# Safety Information

## ⚠ Symbols On The Machine

We have provided safety messages in this manual and on the machine. This information alerts you to potential hazards that could hurt you or others. Please read these messages carefully. However, we may not have listed all of the possible hazards, you must also use your own judgement.

Symbol	Description	Symbol	Description
	Safety alert – Indicates a precaution, a warning or a danger.		Wear eye and hearing protection. For protection against injury, wear ear defenders and safety goggles.
	Do not expose to rain.		Class II tools symbol.
	Read operator's manual.		Keep bystanders at a safe distance away from the work area.
	The UKCA (UK Conformity Assessed) marking is a UK product marking that is required for goods being placed on the market in Great Britain (England, Wales and Scotland).		This product complies with the European directives and an evaluation method of conformity for these directives was done.
	Danger! Rotating parts – keep hands and feet away from moving parts.		Sharp blades can cut limbs.
	Keep bystanders at a safe distance away from the work area.		Switch off and unplug the device before cleaning or performing maintenance on it.
	This product should not be disposed of in domestic waste. Please contact your local recycling centre for disposal service.		Do not use the machine if the cable is damaged.

# Unboxing

**⚠ WARNING** : Unboxing and assembling the machine should be done on a flat, surface with enough room. Disposal of the packaging should be done in accordance with the local regulations in force.

**⚠ WARNING** : Some of the packaging material may be harmful to children. Keep out of reach of children.

1. Carefully remove the product from the packaging and examine it for any sign of damage caused during shipping.
2. Lay the contents out and check them. If any part is damaged or missing, you must not use the machine. Contact HYUNDAI POWER PRODUCTS immediately.
3. You must keep the packaging material in case the machine needs to be returned or repaired.
4. Ensure that you have all the accessories and tools you need for assembly and operation including the suitable personal protective equipment.

# In The Box

\*Not To Scale

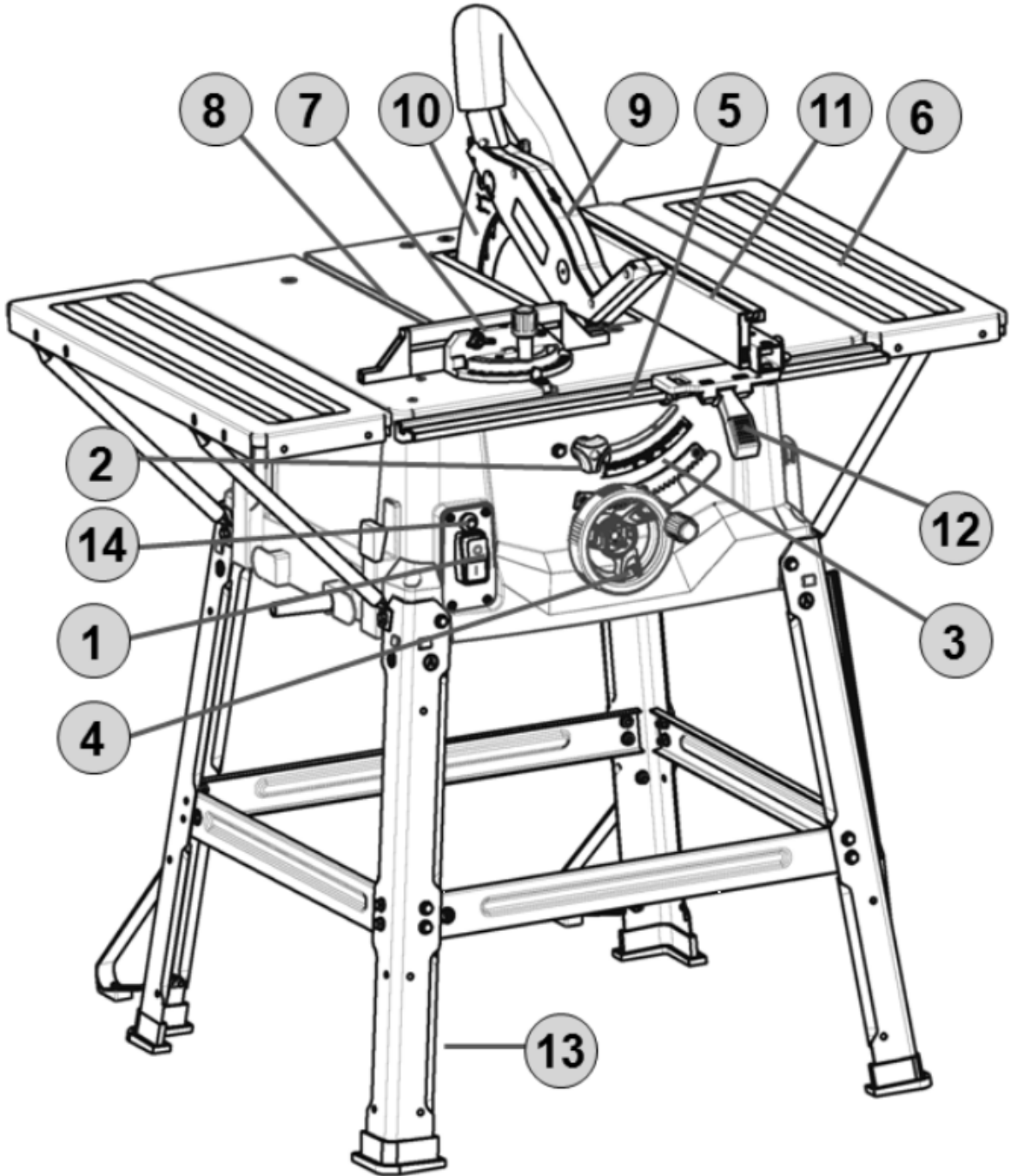


Descriptions on next page 

# Box Contents

- A Main Body (Saw Blade Fitted)**
- B Table Extensions x2**
- C Legs x4**
- D Leg Brace A x2**
- E Leg Brace B x2**
- F Extension Strut x4**
- G Riving Knife**
- H Rubber Feet x4**
- I Leg Stabilisers x2**
- J Push Stick**
- K Fence Rail**
- L Support Bracket A (right) x2**
- M Support Bracket B (left) x2**
- N User Manual**
- O Extraction Hose**
- P Rip Fence**
- Q Mitre Gauge (In 2 Pieces)**
- R Blade Guard**
- S Spanner x2**
- T Packet of Nuts and Bolts (28 Nuts & 40 Bolts)**

# Features



Descriptions on next page 

# Features

- 1 On/Off Switch**  
Used to start and stop the machine.
- 2 Bevel Locking Lever**  
This is used to secure the blade at different angles
- 3 Bevel Gauge**  
This is used to measure which angle the blade is set to.
- 4 Blade Adjustment Wheel**  
Adjusts the height of the cutting blade
- 5 Fence Rail with Scale**  
The Rip Fence is secured to this rail
- 6 Table Extension**  
Edges to increase the table size.
- 7 Mitre Gauge**  
Gauge used to make angled mitre cuts
- 8 Mitre Guide**  
Pathway which guides the Mitre Gauge.
- 9 Blade Guard**  
Protects the user from the sharp blade
- 10 Riving Knife**  
Prevents wood jamming and kickback
- 11 Rip Fence**  
Helps guide the wood when making rip cuts.
- 12 Rip Fence Locking Lever**  
This locks the rip fence into position for use.
- 13 Base**  
Supports and Elevates the main body
- 14 Reset Switch**  
Used to reset the machine in the event of overloading, overheating or jamming

# Assembly Overview

**STEP 1 : Attach Table Extensions – Page 20**

**STEP 2 : Attach the Extensions Supports – Page 21**

**STEP 3 : Attaching Legs – Page 22**

**STEP 4 : Attaching Let Braces – Page 23**

**STEP 5 : Installing Fence Rail – Page 24**

**STEP 6 : Riving Knife Installation – Page 25**

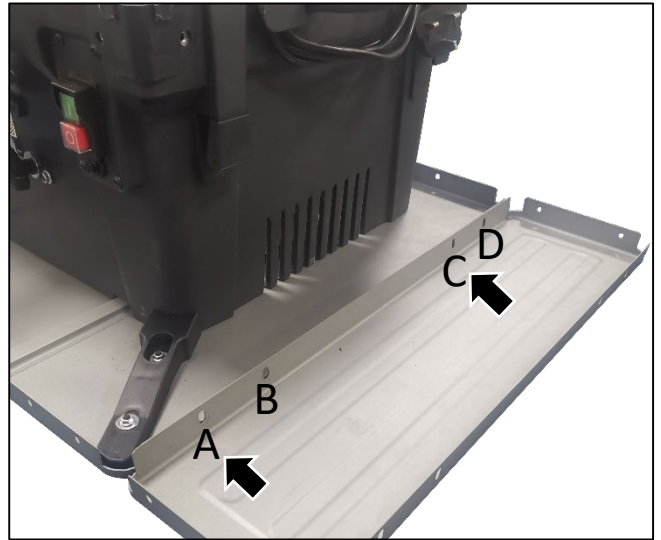
**STEP 7 : Blade Guard and Extraction Hose – Page 26**

**STEP 8 : Mitre Gauge and Fence Rail – Page 27**

# Assembly

## STEP 1 : Attach Table Extensions

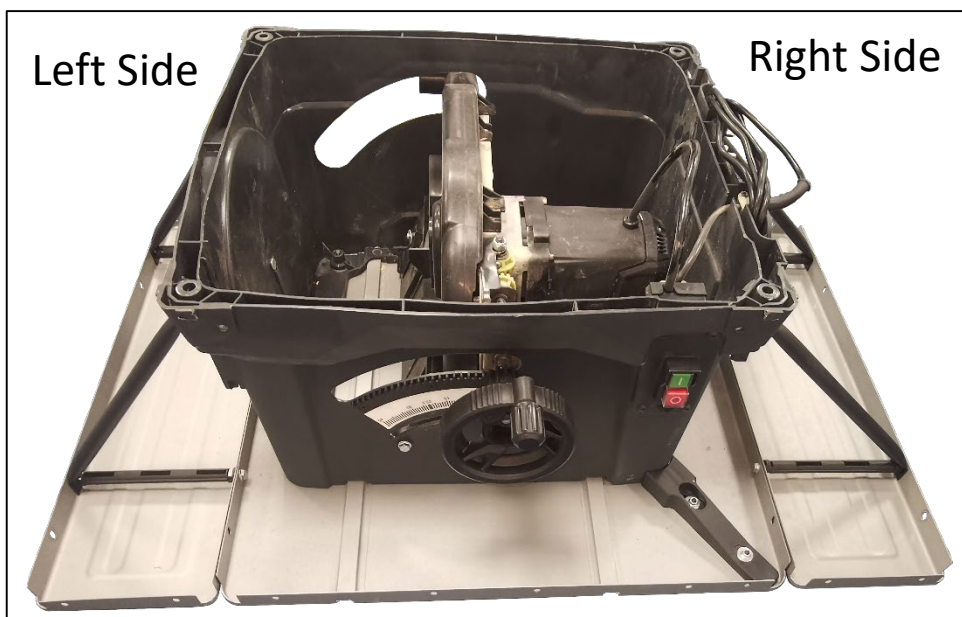
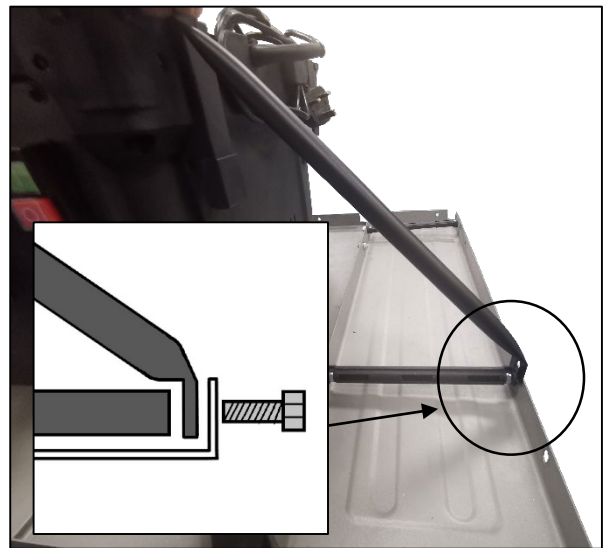
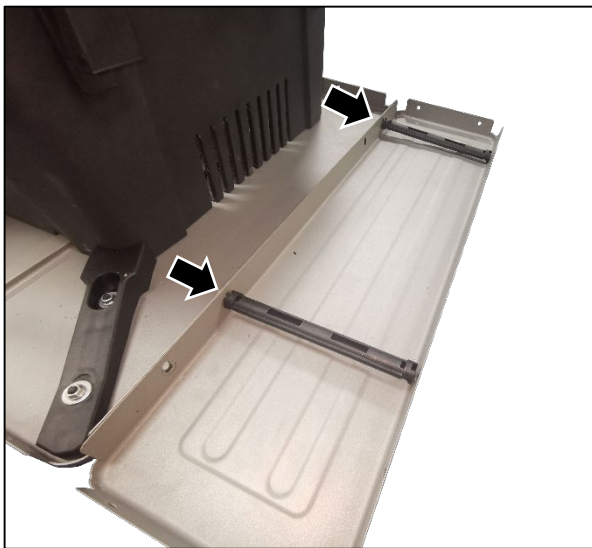
1. On a flat even surface, put the Main Body (A) upside down. Use a soft barrier between the machine and the surface to prevent scratches i.e. cardboard or rubber mat.
2. Line up the Table Extensions (B), and insert a bolt through the holes marked A & C
3. Using the spanners included, secure each bolt with nut. Mirror this on both sides



# Assembly

## STEP 2 : Attach the Extensions Supports

1. With the remaining available holes, line up and insert an Extension Strut (F). Secure this with 1 bolt from the inside edge.
2. Now between the Extension Strut (F) and the Table Extension (B) insert a Support Bracket. The longer Support Bracket (A) goes on the right side of the machine. And the Shorter Support Bracket (B) goes on the left. Secure with a bolt on the outer edge.
3. Repeat on both sides, in each corner of the machine.



# Assembly

## STEP 3 : Attaching Legs

1. On each corner, locate a Leg (C) using the squares tabs on the main body
2. Secure with Bolts. Ensure the Support brackets on both sides are also secured. Simply pass a bolt through these, and then secure to the main body.
3. At this stage, secure the Rubber Feet (H) to each leg.



# Assembly

## STEP 4 : Attaching Leg Braces

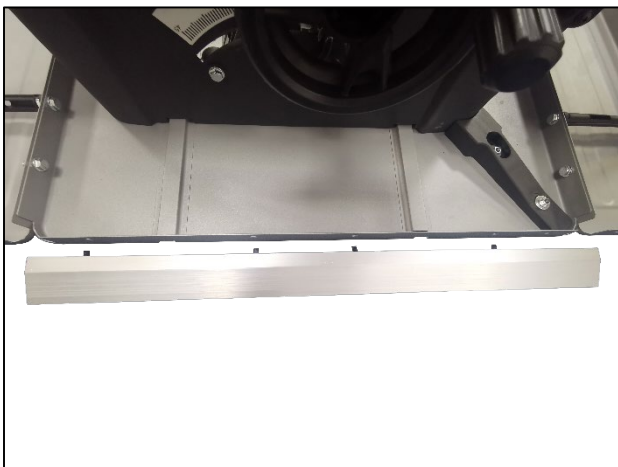
1. With included nuts and bolts, attach Leg Brace (A) to the front and rear pair of the legs. Ensure the Leg Brace is attached on the inside of these edges.
2. Repeat with Leg Brace (B) on the left and right

Ensure all nuts and bolts are tight at this stage.



## STEP 5 : Installing Fence Rail

1. Line up the threads on the Fence rail (K) to the holes on the edge of the table top and insert.
2. Tighten the nuts, but not completely, they will need to be adjusted in the next steps



# Assembly

## STEP 5 : Installing Fence Rail

**!** Do NOT attempt the next step by yourself.

1. With assistance from another person, turn the HYTS1800E over on to it's feet.



1. Using the nuts and bolts provided, secure the Leg Stabilisers (I).



3. It's a good opportunity at this stage to check your Table Saw and table extensions are level. Using either a Bubble Level or a flat edge, run it across the Table saw to ensure a flat even work surface.

If uneven, slightly loosen the bolts of the Table extensions and adjust as required.

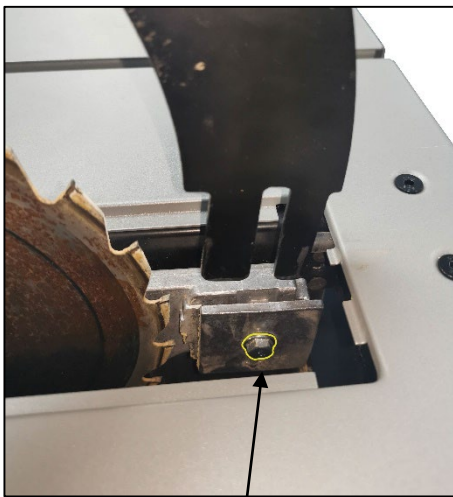
# Assembly

## STEP 6 : Riving Knife Installation

1. Using a screwdriver, remove the Blade cover. Also wind the Blade Adjustment wheel clockwise to raise the blade completely.



2. Using the spanners provided, loosen the bolt on the Riving Knife Clamp. Insert the Riving knife (G) into the clamp, ensuring a 3mm-5mm gap and tighten.



Bolt for the Riving Knife Clamp



3mm-5mm Gap

3. Re-install the Blade cover over both blade and the Riving knife.

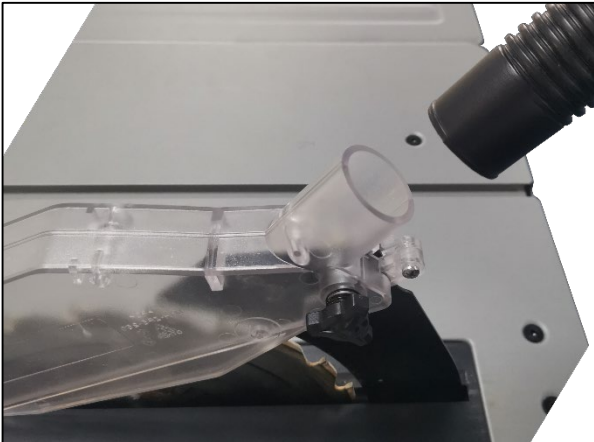
# Assembly

## STEP 7 : Blade Guard and Extraction Hose

1. Fully loosen the handnut on the Blade Guard (R). Align the handnut on the Blade Guard (R) to the Hole at the top of the Riving Knife (G). Tighten the handnut to secure the Blade Guard (R).



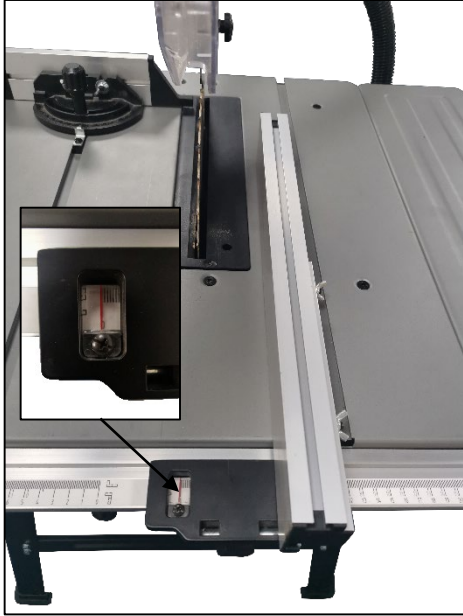
2. Insert the Extraction hose onto the back of the blade guard, and then onto the extraction port at the rear of the machine.



# Assembly

## STEP 8 : Mitre Gauge and Fence Rail

1. Insert the Rip Fence (P) into the Fence Rail (K).  
Using the indicator on the Rip Fence, align it with "0" on the Fence Rail and secure by pressing the Lever down.
2. As the bolts securing your Fence Rail shouldn't be fully tight, you should be able to move the Rip Fence flush with the blade. This is the "True Zero" point of the Table Saw. Tighten the bolts securing the Fence Rail fully secure the True Zero point.



3. Align the Bolts and Wingnuts of the Mitre Plate with the 2 indentations in the Mitre base. Secure these tight.
4. Slide the completed Mitre Gauge into the groove of the table.



# Operation

## Blade Dimensions

**⚠ NEVER** use sawblades suitable for metal or ceramic cutting. The HYTS1600E is only suitable for wooden sawblade applications.

The HYTS1800E comes with a 24 tooth Tungsten Carbide Tipped (TCT) blade. This Saw blade will be proficient in both Rip and Cross cuts, although may be more suited to rip cutting.

Specification of Included Blade:

Total Diameter : 250mm

Centre Bore: 30mm

Kerf (Blade Thickness): 2.8mm

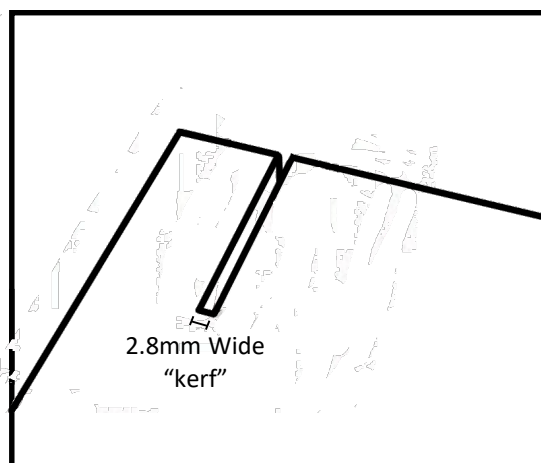
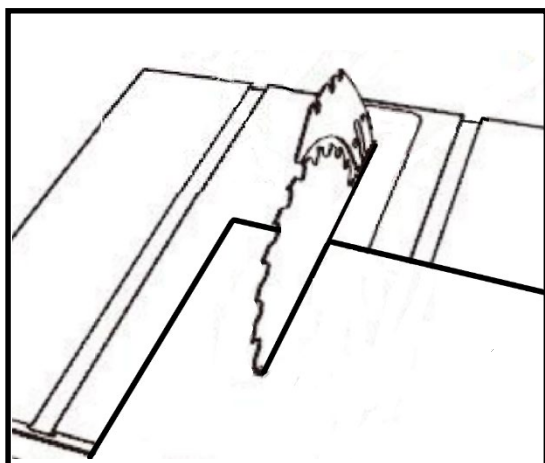
Teeth: 24



Blades can be bought from good DIY retailers , just ensure the centre bore and diameter are the same as the included saw blade (250mm x 30mm).

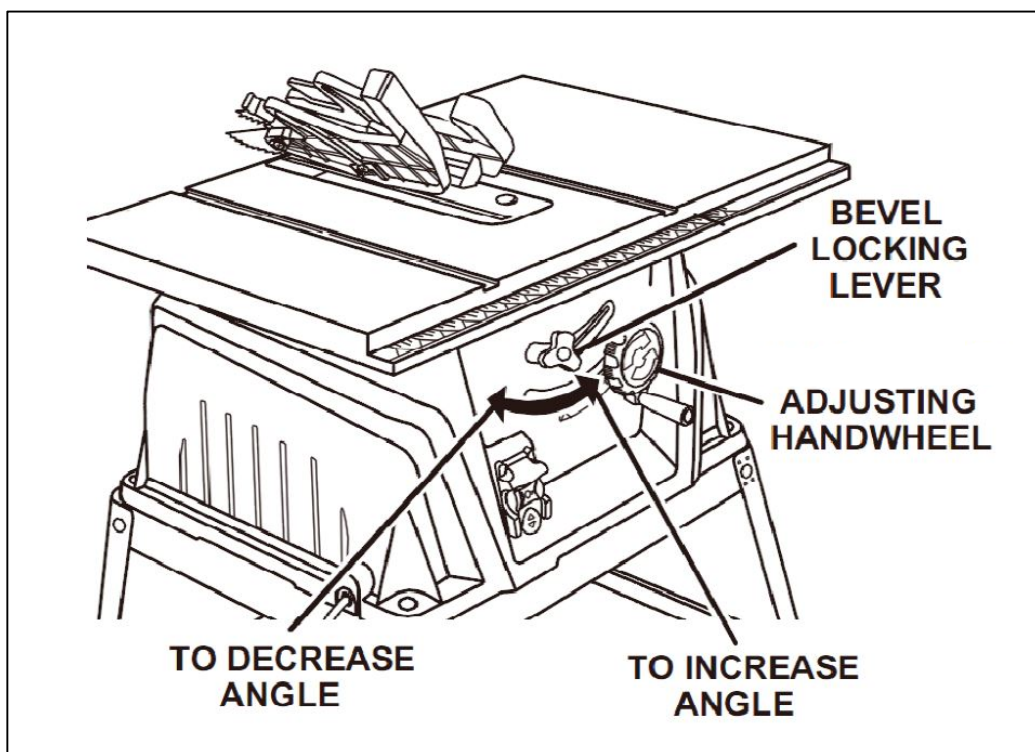
## Blade Kerf

Blade “Kerf” is the width which is taken away by the blade. The included blade has a 2.8mm kerf, which when making non-through cuts, the blade would leave a 2.8mm wide cut in the wood. \*The below images are just for representation purposes, always use a blade guard for through cuts\*



# Operation

## Blade Adjustment



**Blade Height Adjustment** – To adjust the working height of the blade, turn the Blade Adjusting Handwheel **Clockwise**. Turn the Blade Adjusting Handwheel **Anti-Clockwise** to lower the blade

**Blade Angle Adjustment** – To adjust the angle on the blade, loosen the Bevel Locking Lever. This allows to increase or decrease the cutting angle. The angle can just adjusted just by moving the Adjusting Handwheel, but also by pressing the Handwheel in and rotating it will allow more accurate angle selection. When you have reached the desired angle, tighten the Bevel Locking Lever to secure.

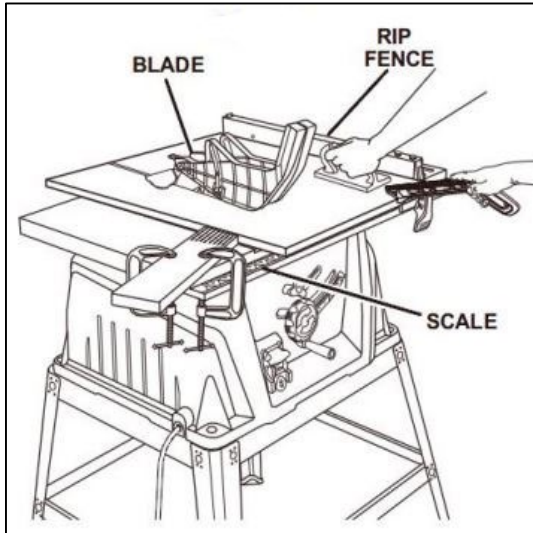
# Operation

## Cutting Illustrations

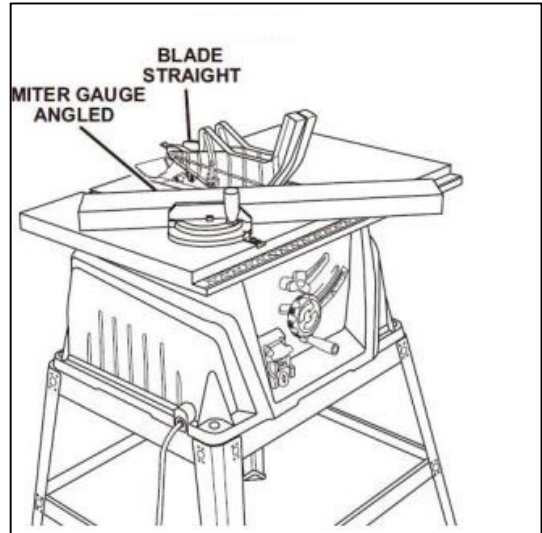
**⚠** If the desired cut is less than 100mm away from the saw blade, you **MUST** use the pushrod to ensure no contact with the sawblade.

All the illustrations below are simply suggestions how to use the HYTS1800E. Genpower Ltd is not liable for any damages to the machine, materials/possessions or persons.

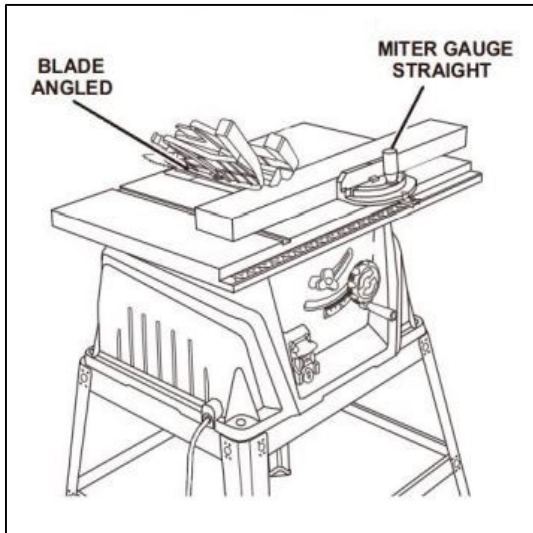
Rip Cut



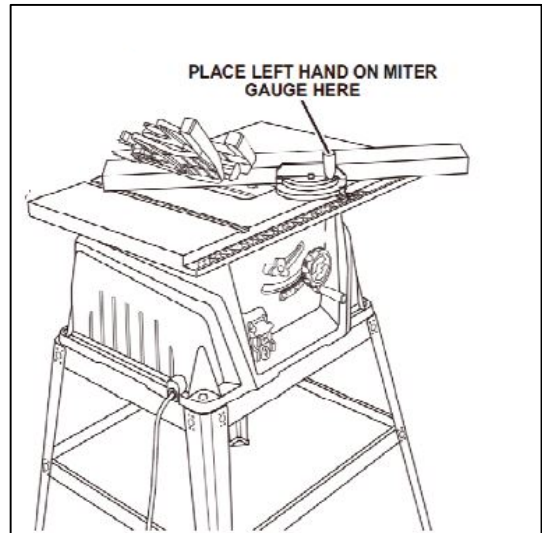
Mitre Cut



Bevel Cross Cut



Bevel (Compound) Mitre Cut



# Operation

## Starting and Stopping

⚠ Before plugging the machine into a power source, ensure the switch is **OFF**

⚠ Before starting the machine, you **MUST** fully read and understand the Instruction Manual

⚠ **NEVER** try to start the machine with any work material in the blade

**Starting** – To Start the machine, press the Green **ON** button

**Stopping** – To Stop the machine, press the Red **OFF** button. Allow to stop completely.

**Reset** – Press the **RESET** button above the OFF button in the event of a Thermal Overload, or stoppage due to Jamming



# Maintenance & Care

## General Maintenance

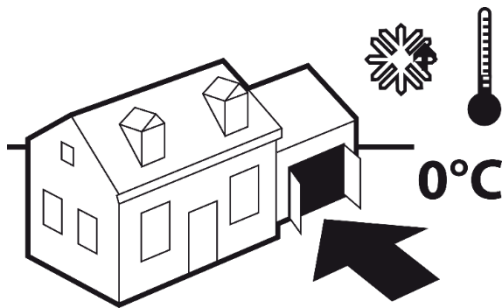
**⚠ WARNING :** Turn OFF the machine, allow all moving parts to come to a complete stop, and disconnect the power cord before maintaining the machine. You need to wear proper clothing and protective gloves whenever your hands are at risk.

- Keep all nuts, bolts and screws tight to be sure the machine is in a safe working condition.
- Replace worn or damaged parts for safety. Only use manufacturer-recommended parts and accessories.

## Storage

**⚠ Keep the machine stored in a dry, level area away from damp, moisture and rain fall. Allow the machine to cool down before storing.**

- Make sure the machine is clean and dry before storing.
- Make sure the machine is stored away from direct sunlight. Store indoors or in a safe, locked protected area during severe weather and winter months.
- Ensure the machine is stored in a position, where any persons cannot step on to attempt to reach items up high, due to risk of movement.
- DO NOT store the machine near an ignition source, such as a wood stove, gas or electric heater, or an appliance or heater with a pilot light.
- Store the machine out of reach of children or anyone who is not familiar with operation.
- DO NOT stack other items on top of the machine when in storage.



## Cleaning

**⚠ Always remove the electric plug from the mains supply before any cleaning is undertaken.**

- Remove any grass and mud after each use to prevent it from drying. Use a clean cloth to remove dirt, grease, etc.
- DO NOT use any water on any part of the main machine.
- Avoid using solvents when cleaning plastic parts. Most plastics are susceptible to damage from various types of commercial solvents and may be damaged by their use.
- Always ensure that ventilation openings are kept clear of debris.

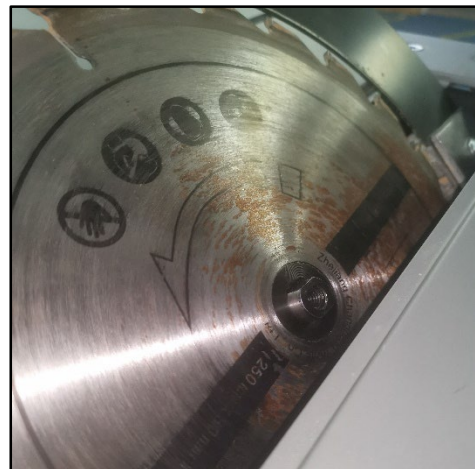
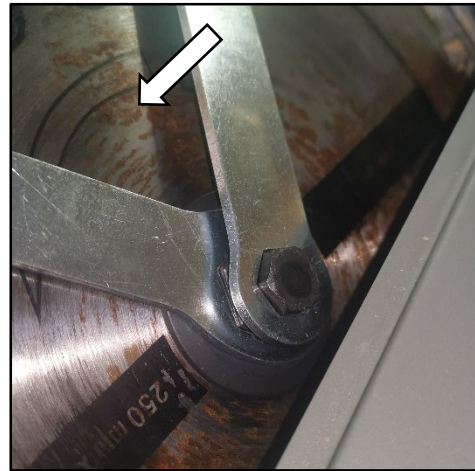
# Maintenance & Care

## Blade Replacement

⚠ Ensure the machine is **UNPLUGGED** from a power source before performing the followings steps.

**REMOVE** the Blade Guard and Blade cover and Extraction Hose . These only ever need to be removed unless damaged or performing maintenance.

1. Tilt the blade to 45° for ease of access.
2. Using the largest spanner included, secure on the Spindle Collar Nut.
3. Then place the other included spanner on the Spindle bolt.
4. To remove, hold the larger spanner firm preventing the blade from rotating, then rotate the other spanner anti-clockwise. Remove both the Spindle Collar nut and Bolt. The Saw Blade can then be lifted off the spindle and replaced.
5. Simple do the previous steps backwards to secure a new sawblade.



# Maintenance & Care

## Blade Angle Calibration

⚠ Ensure the machine is **UNPLUGGED** from a power source before performing the following steps.

⚠ Specialist Tools are required to perform this step.

**REMOVE** the Blade Guard and Blade cover and Extraction Hose . These only ever need to be removed unless damaged or performing maintenance.

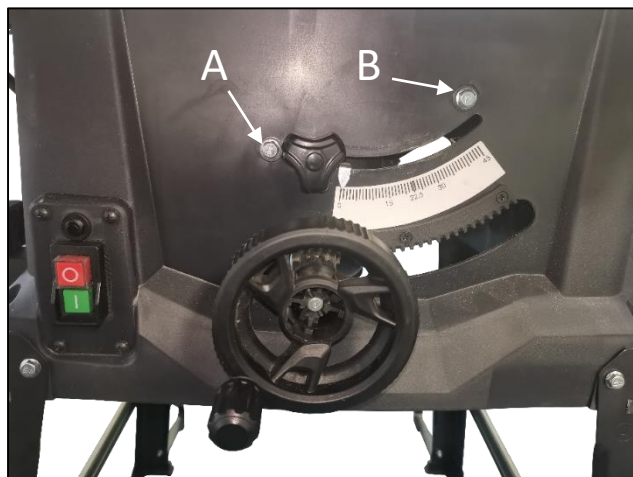
The Angle of the blade is calibrated from the factory, but after extended use the blade can move out of specification. Using tools such as a Pivot Square, or a Digital Level Box (NOT Included), it's possible to put the machine back into specification.

### 0° Calibration

1. Put the Machine at 0° reading on the bevel gauge.
2. Using your Tool Measure the current blade angle
3. Partially loosen the Bevel Calibration Bolt A. Now apply pressure to the blade to reach the desired Angle. Tighten Bevel Calibration Bolt A to confirm the new calibration

### 45° Calibration

1. Put the Machine at 45° reading on the bevel gauge.
2. Using your Tool Measure the current blade angle
3. Partially loosen the Bevel Calibration Bolt B. Now apply pressure to the blade to reach the desired Angle. Tighten Bevel Calibration Bolt B to confirm the new calibration



# Maintenance & Care

## Troubleshooting

**⚠ NOTE : All corrective actions should be carried out by suitably qualified person/s.**

<b>Problem</b>	<b>Possible Cause</b>	<b>Possible Solution</b>
Machine will not start.	Fuse in mains plug blown / faulty	Check fuse in mains plug and replace if necessary.
	Internal wiring fault.	Contact your service dealer.
Machine functions intermittently.	Internal wiring fault.	Contact your service dealer.

# Technical Data

## Specification

<b>Model</b>	<b>HYTS1800E</b>
Voltage	230-240V
Frequency	50Hz
No-load Speed	5000r/min
Include Blade Dimensions	250mm x 30mm x 2.8mm x 24T
Cutting Range (Degrees)	0° – 45°
Operating Height	829mm
Table Top Dimensions	563mm x 583mm x 28mm
Maximum Cutting Height @ 0°	85mm
Maximum Cutting Height @ 45°	65mm
Cable length	2 metres
Rated Power	1800W
Net Weight	19.45kg
Sound Pressure Level	91 dB(A)
KpA Uncertainty	3dB
LWA Sound Power Level	104dB(A)
KWA uncertainty	3dB

# Recycling & Disposal

## Recycling & Disposal

We do not offer a takeback scheme for the recovery of Waste Electrical Electronic Equipment (WEEE) & Batteries. Instead the responsibility to dispose of WEEE and/or Batteries is passed onto you by us.

So when it becomes necessary to dispose of your machine you must take it to your local Civic Amenity Site. For further information please contact your local Authority for disposal advice.

You **MUST** make sure that all unused oil and fuel is disposed of correctly either beforehand or at your local Civic Amenity Site.

- Under NO circumstances must any fuel or oil be put down any drains.
- Certain products contain WEEE waste which should not be disposed of in your domestic waste.
- You **MUST** recycle WEEE in accordance with your local authority or recycling centre.
- Certain products contain batteries which should not be disposed of in your domestic waste.
- You **MUST** recycle batteries in accordance with your local authority or recycling centre.
- Unwanted packaging and materials should be stored and taken to a recycling centre so it can be disposed of in a manner which is compatible with the environment.

We are a Member of the VALPAK National Compliance Scheme and our registration number is RM08660. For further information about disposal please contact your Local Authority.

You can also get more advice and guidance about recycling at the following website <http://www.recycle-more.co.uk>

Should you pass this product on to another user either sold or loaned, you **MUST** pass on this user manual. This will make sure that all other users can use and maintain this machine safely.

## Environmental Protection

1. Environmental protection should be a priority of considerable importance when using the machine, for the benefit of both social coexistence and the environment in which we live. Try not to cause any disturbance to the surrounding area.
2. You must comply with local regulations and provisions for the disposal of packaging, oils, fuel, filters, damaged parts or any elements which have a strong impact on the environment. This waste must not be disposed of as normal waste. It needs to be separated and taken to specified waste disposal centres where the material will be recycled.
3. You must comply with local regulations for the disposal of waste materials after mowing.
4. When disposing, do not pollute the environment with the machine, but hand it over to a disposal centre, in accordance with the local laws in force.

# EU Declaration Of Conformity

## Importer and Authorised Representative

Genpower Ltd  
Isaac Way, Pembroke Dock, SA72 4RW

**Country of Origin:** China

**Description:** 1800W Table Saw

**SKU Code:** HYTS1800E

**Date of Issue:** 09/06/2021

## Regulations and Directives of Compliance

- 2006/42/EC The Machine Directive
- 2014/30/EU EMC Directive
- 2000/14/EC Noise Emissions
- 2011/65/EU RoHS

## Statement of Declaration

We the importer and authorised representative of the product described confirm conformity within the provisions of applicable regulations and directives listed within this document.

## Signed on Behalf of Genpower Ltd

**Place of Issue:** Genpower Ltd

**Signatory Name:** Roland Llewellyn

**Position:** Managing Director

*R J Llewellyn*  
.....



# Notes



# Notes



# Useful Information

## Check Out Our YouTube Channel

Our videos on YouTube include:

- Unboxing
- Assembly of your machine
- How to service your machine
- Products in use
- 'How To' videos
- Product features

Go to YouTube and search '**Hyundai Power Products**'.

## Warranty

Proof of purchase will be required before you make a warranty claim. Full warranty terms and conditions can be found on the HYUNDAI POWER PRODUCTS website:

**[www.hyundaipowerproducts.co.uk](http://www.hyundaipowerproducts.co.uk)**

## Manual Updates

Our manuals are constantly being reviewed and updated. Should you find an error, omission or something unclear, please contact us for assistance. We reserve the right to make any modifications without prior notice whenever necessary. Our latest manuals are also placed online. All our manuals can be downloaded at:  
**[www.hyundaipowerproducts.co.uk](http://www.hyundaipowerproducts.co.uk)**

## Returning Your Product

If you are returning your product, please contact the dealer for their returns policy.

## Leaving A Review

We work very hard to give all of our customers the best possible service. If you have any problems, before leaving negative feedback, please contact us to give us a chance to resolve the issue. We would be delighted if you left us positive feedback! To leave a review, please go to:

**[uk.trustpilot.com/review/hyundaipowerequipment.co.uk](http://uk.trustpilot.com/review/hyundaipowerequipment.co.uk)**

## Ordering Spare Parts

You can find the spare part you are looking for at **[power-spares.co.uk](http://power-spares.co.uk)**

# Product Record

## Information

As soon as you have purchased the machine, we recommend that you fill out the following. If you need to contact an authorised dealer or customer service for information on servicing, you may need to provide the following information.

Date Of Purchase:.....

Dealer Name:.....

Dealer Phone:.....

Model Number:.....

Serial / Batch Number:.....



# Contact Us

## Need Help? Talk To Our Experts

Our friendly aftersales team will be more than happy to help you.



### Phone

Call our team on 01646 687 880



### Email

[aftersales@hyundaipowerproducts.co.uk](mailto:aftersales@hyundaipowerproducts.co.uk)



### Online Live Chat

Go to [www.hyundaipowerproducts.co.uk](http://www.hyundaipowerproducts.co.uk)



### Post

Genpower Ltd, Isaac Way, Pembroke Dock, Pembrokeshire, SA72 4RW.



### Hyundai Support Website

Go to [hyundaisupport.co.uk](http://hyundaisupport.co.uk)

# HYUNDAI

POWER PRODUCTS

Importer:  
GENPOWER LTD  
Isaac Way, London Road,  
Pembroke Dock, UK, SA72 4RW.  
T: +44 (0) 1646 687 880  
E: [info@hyundaipowerproducts.co.uk](mailto:info@hyundaipowerproducts.co.uk)  
[www.hyundaipowerproducts.co.uk](http://www.hyundaipowerproducts.co.uk)

Imported / Distributed by Genpower Ltd for the United Kingdom & Ireland

Licensed by Hyundai Corporation, Korea

