

Installation instructions & user manual

# Zip ChillTap

Filtered, chilled water on tap.



IT'S WATER. REFRESHED.



**ChillTap Specifications**

Before Installation ..... 3  
Warnings and Precautions ..... 3  
Technical Specification ..... 4  
Installation Requirements ..... 4

**Installation Instructions**

Tap installation ..... 5  
Ventilation ..... 6-7  
Chiller installation ..... 8-9  
Commissioning ..... 9  
Operation & Maintenance ..... 10  
Troubleshooting ..... 11  
Cleaning ..... 11  
End of Life Disposal ..... 11  
Contact Details ..... 12



## Before installation

- A. Read the instructions.
- B. Note: All fittings are supplied with the appliance kit except an isolation valve.
- C. Check the water quality to determine if extra filtration will be required.
- D. Check the appliance rating plate and ensure correct power is available for the appliance.
- E. Check the underbench cupboard supporting the appliance is adequate for the total weight and size of the appliance.
- F. Ensure a potable water supply connection with isolating valve inside the cupboard is within reach of the braided hoses and positioned so that the connection point and the stop cock will not be obstructed when the undersink units are installed.

### Note:

All plumbing must comply with AS/NZS 3500.4.1 & AS/NZS 3500.4.2

All electrical must comply with AS/NZS 3000 wiring rules

All refrigeration must comply with AS/NZS 3350.2.24

The plumbing installation must be done in accordance with local Water Authority regulations and these Installation Instructions.

As the installer, it is your responsibility to supply (if necessary) and install all valves as required by local regulations and relevant standards.

## WARNINGS AND PRECAUTIONS



1. Please read all Precautions, Installation Requirements, Installation Instructions before installing any Zip ChillTap.
2. Never attempt to install any Zip ChillTap without reading all of the applicable instructions.
3. All electrical connections must comply with current wiring rules.
4. This appliance is not designed for use by young children or infirm people without supervision.
5. Young children should be prevented from having access to ensure they are not able to use or play with the chiller.
6. This appliance must be earthed.
7. If the power supply cord is damaged it must be replaced by a Zip Service Provider or a qualified electrician.
8. The power cord and general power outlet must be in a safe and accessible position after installation.
9. Do not remove the cover of the appliance under any circumstances without first isolating the appliance from the power supply.
10. This unit is designed for indoor use and must not be installed outdoors or exposed to the elements of nature.
11. This unit must not be positioned in an area that may be cleaned by a water jet.
12. This unit must not be cleaned by a water jet.
13. This appliance is not intended for use by persons (including children) with reduced physical, sensory or mental capabilities, or lack of experience and knowledge, unless they have been given supervision or instruction concerning use of the appliance by a person responsible for their safety. For products sold in Europe, this appliance can be used by children aged from 8 years and above and persons with reduced physical, sensory or mental capabilities or lack of experience and knowledge if they have been given supervision or instruction concerning use of the appliance in a safe way and understand the hazards involved. Children should be supervised to ensure that they do not play with the appliance. Cleaning and user maintenance shall not be made by children without supervision.
14. This appliance is intended to be used in: staff kitchen areas in shops, offices and other working environments; Farm houses and by clients in hotels, motels and other residential type environments; Bed and breakfast type environments; Catering and similar non-retail applications.
15. The appliance must be placed in an upright position.

## Technical specification

Model	Water supplied	Power Rating (kW)	Refrigerant	Dimensions W x D x H (mm)	Dry Weight* (kg)
ChillTap 60 glass	Chilled	0.3	R134a	280 x 475 x 335	25
ChillTap Extra 60 glass	Chilled, Ambient	0.3	R134a	280 x 475 x 335	25
ChillTap 140 glass	Chilled	0.3	R134a	280 x 475 x 335	25
ChillTap Extra 140 glass	Chilled, Ambient	0.3	R134a	280 x 475 x 335	25

**Note:** The standard glass is 200 ml (7 fl oz).

\* Add 4kg when filled with water.

## Installation requirements

- Power supply 220-240V AC, 50Hz for connection via a 10 amp G.P.O.
- Operating temperatures 5°C - 35°C.
- External water pressure 150kPa - 700kPa (1.5 bar - 7 bar)
- Internal Pressure Limiting Valve: 500kPa

**Note:** For best results, the recommended minimum static mains water pressure is 250kPa (2.5 bar).

### Frost Protection

If this appliance is located where the ambient air temperature could fall below 5°C when the heater is not in use, do not turn off the appliance electrically. This safeguard does not offer the same protection to the connecting pipework and fittings.

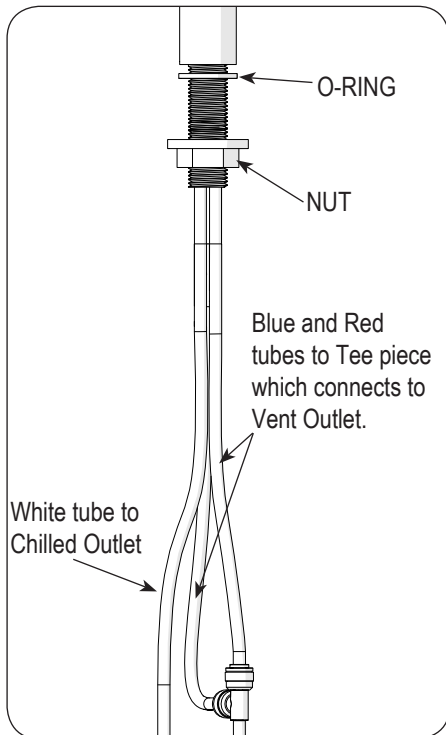


Fig.1 ChillTap Standard / Heavy Duty

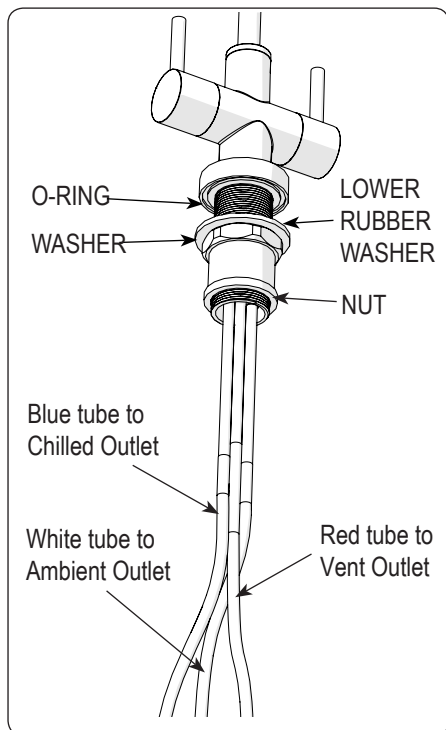


Fig.2 ChillTap Extra

## Tap Installation

In addition to common tools, the following will be required:

- 25mm (ChillTap Standard/Heavy Duty) OR 35mm (ChillTap Extra) diameter sheet metal hole punch for sink tops (not supplied)
- 25mm (ChillTap Standard/Heavy Duty) OR 35mm (ChillTap Extra) diameter hole saw for timber bench tops (not supplied)

### Position the Tap



**Warning: Do not reuse old hose-sets. The unit shall be installed with the new hose-sets supplied. Hoses are maximum 1000 mm in length.**

Position and install the tap at the back of the sink or on the Front, where there is a minimum 52 mm wide flat area within the draining area of the sink. Make sure the selected position allows the tap spout to overhang the sink bowl.

Ensure the distance between the tap and the undersink unit does not exceed the length of the supplied tubing.

### ChillTap Standard/Heavy Duty (Fig.1)

Use a 25mm sheet metal punch or hole saw to create a neat hole without burrs.

Remove the large nut from the base of the tap, leaving the rubber sealing ring (O-ring) in place.

Fit the tap and O-ring to the sink top, oriented so the operating lever is easily accessible.

From under the sink, slide the nut over the tubes. Tighten the nut to secure the tap firmly into place.

### ChillTap Extra (Fig.2)

Use a 35mm sheet metal punch or hole saw to create a neat hole without burrs.

Remove the large nut with the stainless steel and rubber washers from the base of the tap, leaving the rubber sealing ring (O-ring) in place.

Fit the tap and O-ring to the sink top, oriented so the operating levers are easily accessible.

From under the sink, slide first the rubber washer, and then the brass washer, followed by the nut, over the tubes. Tighten the nut to secure the tap firmly into place.

## Ventilation

When installing air flow ducts, the following tools will be required:

- Jigsaw and 12 mm drill.
- Keyhole or Wall Board saw.

## Ventilation Requirements



**IMPORTANT!** Allow clearance of 50 mm around and 200 mm above the chiller unit.

Proper air circulation must be provided for the system to operate correctly. Both the top and the front of the chiller must remain accessible for servicing.

Fit the 3 mm silicon door buffers to the inside edge of the cupboard door (Fig.3).

The vent kit supplied with the ChillTap must be installed. The vent kit ensures heat dissipation through forced convection. Air is drawn in through the front vent and expelled via the duct and outlet vent installed in the cupboard kickboard.

Referring to Fig.3 and Fig.4, mark out and cut the vent holes. Fit the grilles and secure with screws.

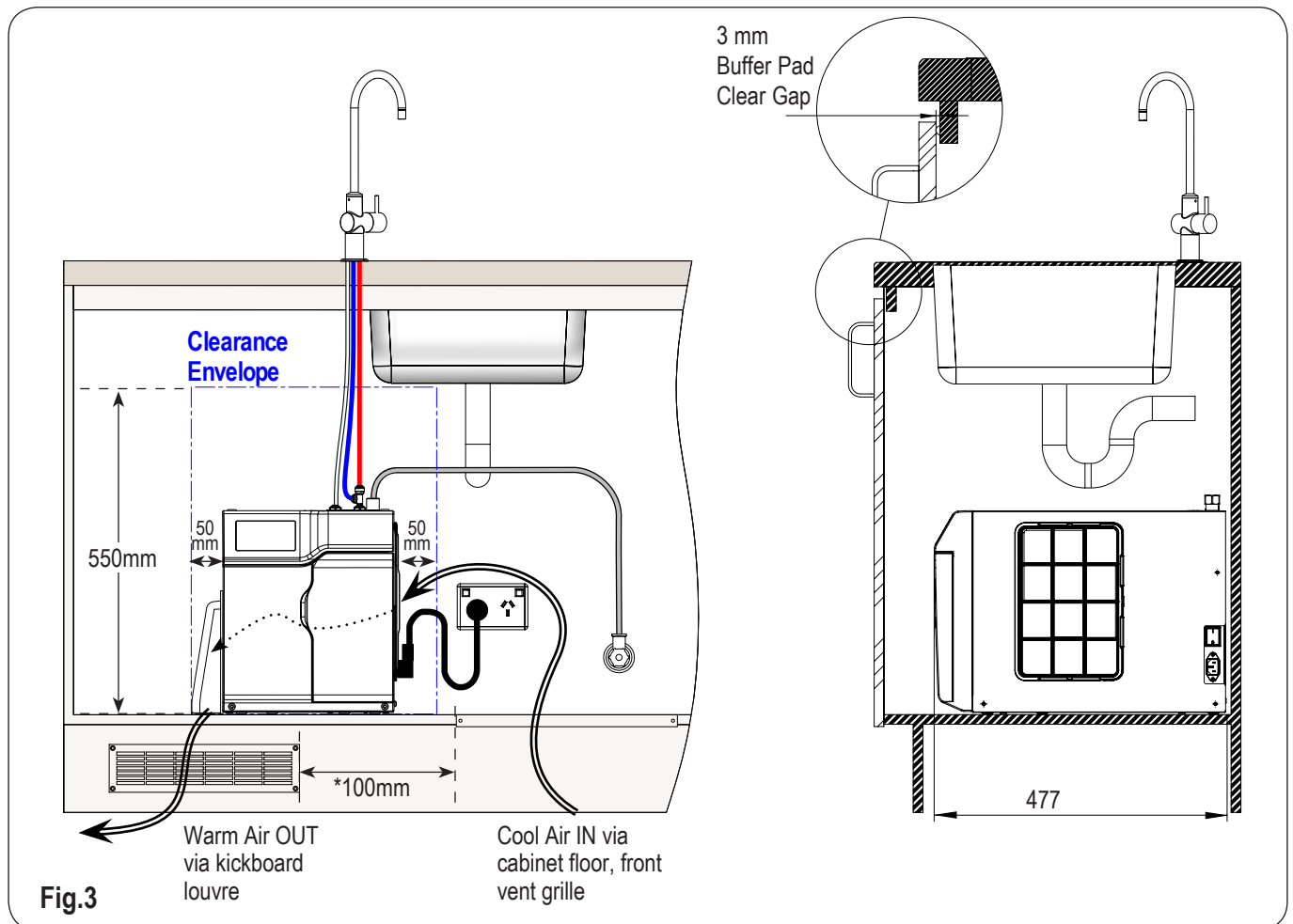
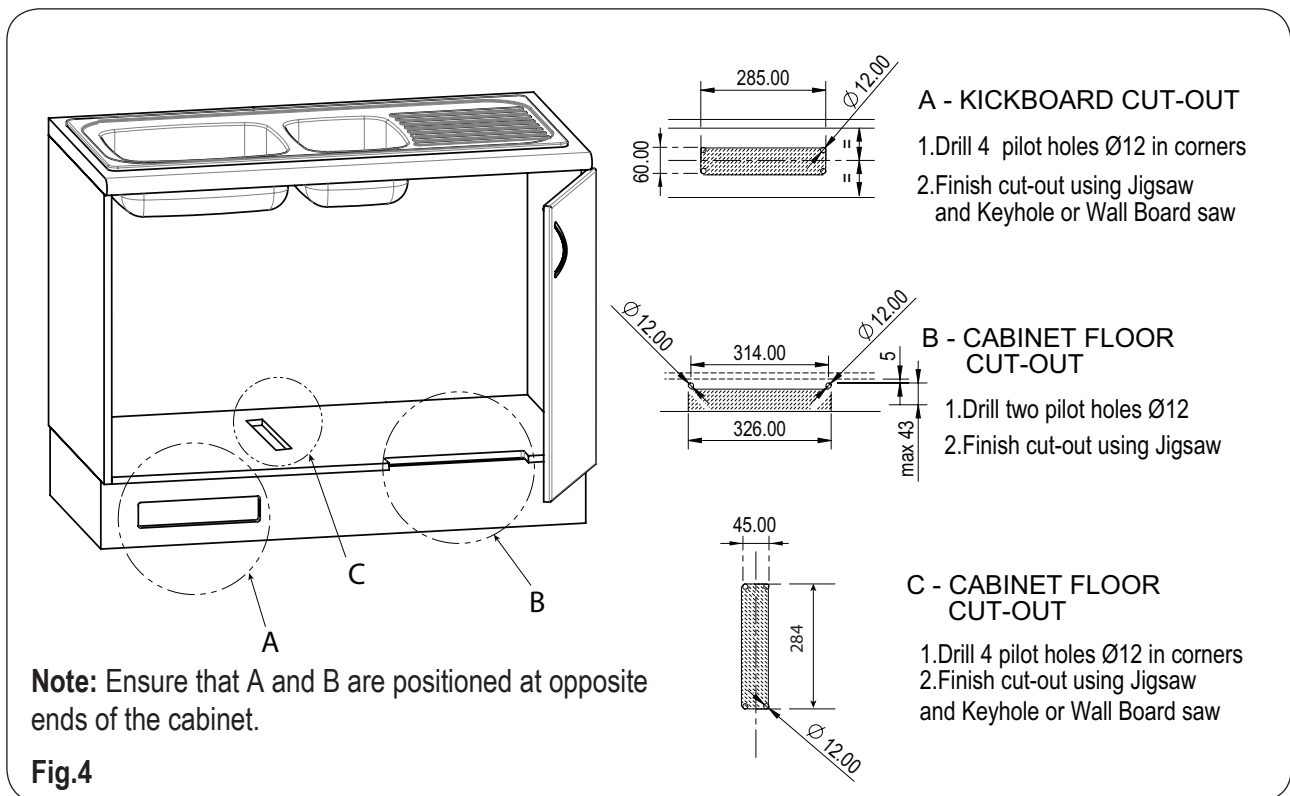


Fig.3

\* **Note:** Inlet and outlet vents should be separated by a minimum of 100 mm, to avoid hot air recirculation.



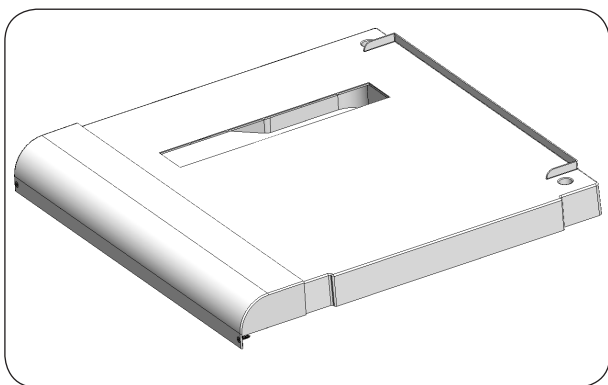
### Additional ventilation



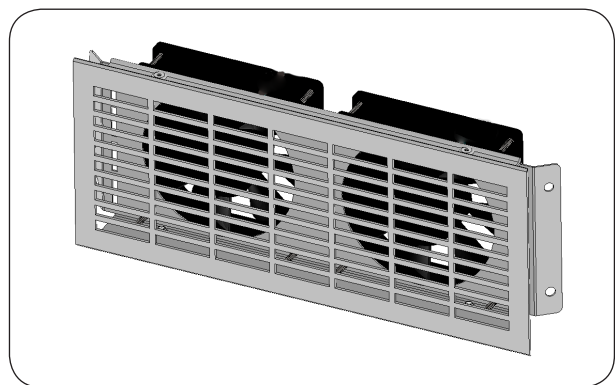
The following instructions are critical if the vent kit, as supplied, cannot be fitted.

If the vent kit cannot be used, or for high use applications where the cupboard space temperature is  $35^{\circ}\text{C}$  or higher, an optional Vent Tray Kit or Exhaust Fan kit may be fitted. Contact your local service centre for more information.

- Vent tray part no. 93541 (optional accessory)
- Dual exhaust fan kit, part no. 93156 (optional accessory)



Vent tray



Dual exhaust fan

## Chiller Installation

Place the chiller unit into the cupboard with the proposed outlet tap position as close as possible, to minimise the length of tubing exposed between the chiller unit and the outlet tap. Arrange tubes in the most direct route between tap outlet and unit. The tubing length is limited to 1000 mm.

## Mains Water Connection

**Note: Install an isolation valve (not supplied) in the water supply line before the connection to the product.**

Connect the braided hose to the isolation valve installed in the mains water supply line. For best results, the recommended minimum static pressure is 250 kPa (2.5 bar).

Connect the braided hose from the isolation valve to the top of the undersink unit, marked MAINS IN (see Fig.5).

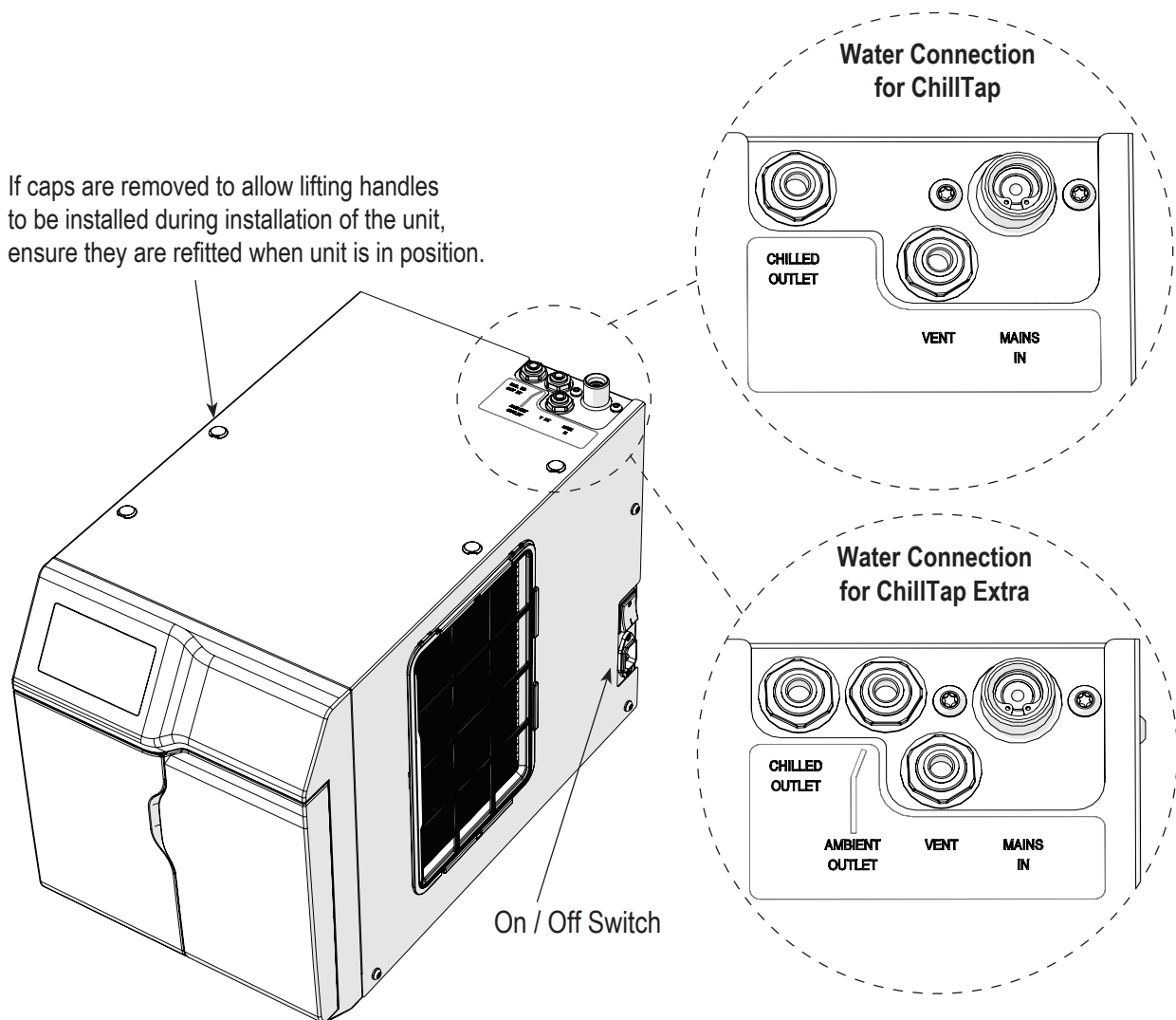
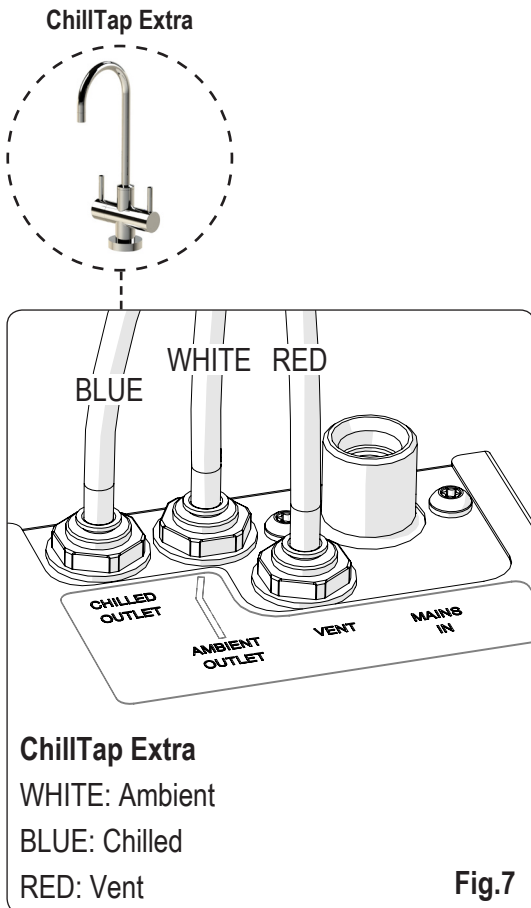
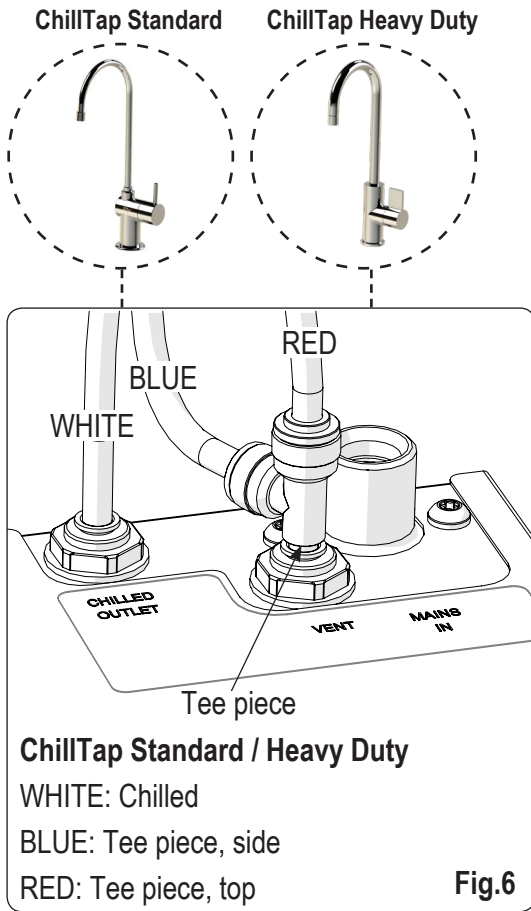


Fig.5



## Hose Connections

**Note:** To avoid water leaks, be careful not to damage the tubes. The tube must not be kinked around a bend, as the tube may contain water under pressure. If shortening the hoses, ensure ends are cut clean and square.

1. Remove plugs from the outlet fittings on the top of the undersink chiller unit by depressing the collet and simultaneously pulling out the plug.
2. Measure and trim the three 1/4" coloured hoses from the carafe tap to the outlet fittings on the top of the chiller unit. See Fig.6 and Fig.7.
3. Before making the connections, insulate the hoses with the loose length of foam insulation. Trim the insulation to about 5-10mm shorter than the tube.
4. For correct hose connection, refer to Fig.6 for ChillTap Standard and ChillTap Heavy Duty, and Fig.7 for ChillTap Extra. Push each hose into the quick-release connector as far as it will go (approx. 15 mm) to ensure a tight connection.

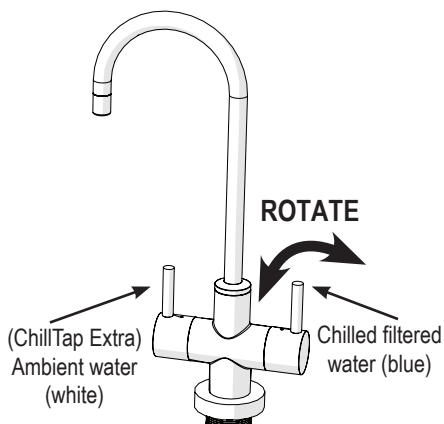
## Commissioning

Turn on the water supply to the unit, then rotate and hold the chilled water or ambient water lever (ChillTap Extra). First air, then water will flow from the tap. Allow the water to continue to flow for about 10 litres, which is required to activate the filter. Once this has been done release the lever to turn off the water. The lever will spring back to the upright position.

Connect the unit to the mains power supply and turn ON.

Switch ON the switch at the side of the undersink unit.

The compressor and fan will start, and will continue to run until temperature is reached.



## Operation

To dispense chilled, filtered water, rotate the lever on the right hand side of the carafe tap to a horizontal position. The lever will spring back when released.

**ChillTap Extra:** Chilled still filtered water is dispensed using the lever on the right hand side of the carafe tap (blue marking).

Ambient filtered water is dispensed using the lever on the left hand side of the carafe tap (white marking).

The levers will spring back to the upright position and water flow will stop, when released.

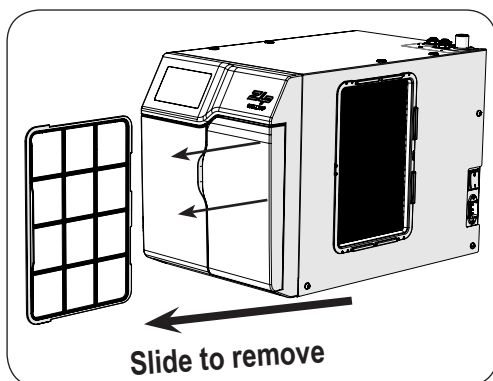
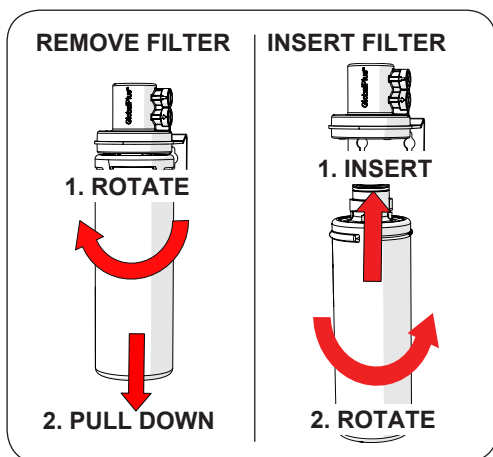
## Water Filter

For safe operation, the filter cartridge should be replaced every 6-12 months, or earlier if you notice a persistent reduction in water pressure from the appliance or an unpleasant taste or odour in the water. To replace the water filter cartridge:

1. Turn off the water and power supply to the unit.
2. Turn on the chilled water lever (blue marking), to release the water pressure in the unit. Once water has stopped running from the tap, turn off the lever.
3. Turn the filter clockwise and gently pull the cartridge down. The cartridge should release from the filter head. Dispose of the filter cartridge responsibly. Clean any water that has pooled below the filter head.
4. Fit a new filter by turning filter anti-clockwise and gently pushing up. The filter will click or lock into place.
5. Turn on the water supply to the unit.
6. Turn on the chilled water tap. Allow 7.5 litres to flow from the outlet.
7. Turn off the chilled water tap.
8. Turn on the power supply to the unit.



**Warning:** Not changing filtration cartridges when required may cause the water to become biologically unsafe. If the Zip ChillTap is switched off for a long period of time (e.g. more than a weekend), run water through the chilled water outlet for at least 5 minutes before consumption. Use only a Zip filter to match that used with this ChillTap (if fitted). Replacement filter cartridges can be obtained through plumbing suppliers or directly from Zip.



## Air Inlet Screen

The Zip ChillTap air inlet screen is located on the side of the under sink unit. The screen needs to be inspected at least quarterly, cleaned and replaced if damaged.

Remove the screen for cleaning by sliding it forward. Rinse off any particles with tap water, then gently dry with a cloth or towel. Slide the screen back into place.

**Note:** For best performance the unit should only be operated with a clean air inlet screen, correctly fitted in place. Maintain at least a 50 mm air gap in front of the screen at all times. Take care not to allow cloths or other soft materials to accidentally block the air inlet.

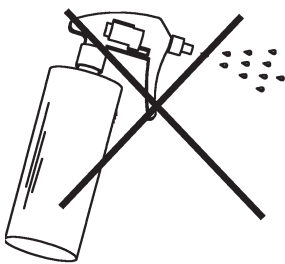
## Troubleshooting

Prior to any fault finding, please ensure all water connections to the chiller are sound and that the incoming water supply is turned on. Also ensure that all electrical connections to the chiller are secure and that the chiller has had adequate time to cool down.

Call a licenced electrician, plumber, or Zip free call in Australia on 1800 460 222, for assistance, service, spare parts, or enquiries.

Symptom	Possible Cause	Responsibility	Solution
No water supplied	Mains water not connected or turned on	User or Service Technician	Connect or turn on water supply.
	Water pressure regulator failed	Service Technician	Contact local Zip Service Provider.
	Unit frozen up	Service Technician	Contact local Zip Service Provider.
	Internal water leak	Service Technician	Contact local Zip Service Provider.
Water not chilled	No power	User or Service Technician	Restore power to the unit.
	Thermostat faulty or out of calibration.	Service Technician	Contact local Zip Service Provider.
	Insufficient cooling air flow through the refrigeration system	Service Technician	Contact local Zip Service Provider.
	Refrigeration failure	Service Technician	Contact local Zip Service Provider.
	Rated chilled water capacity has been exceeded	User	Allow unit sufficient time to recover.

## Cleaning



Never use strong, corrosive or abrasive cleaning materials. Stainless steel surfaces will show scratches if an abrasive cleaning product is used.

Wipe clean the outer surfaces with a sponge or a soft cloth using a mild soap and water.

The louvres on the sides of the chiller unit need to be kept free of dust and lint to permit free flow of air through the vents. They should be checked regularly, at least monthly, and dusted or vacuumed.

## End of life disposal

In order to help preserve our environment we ask that you dispose of this product correctly. Please contact your local city council for collection centre details.

## Head Office

Zip Water (Aust) Pty. Ltd.  
ABN 46 000 578 727  
67-77 Allingham Street  
Condell Park NSW 2200  
Postal: Locked Bag 80  
Bankstown 1885 Australia

**www.zipwater.com**

Telephone (02) 9796 3100  
Sales Free Call: 1800 638 633  
Service Free Call: 1800 460 222

The terms “Zip” and “ChillTap” are registered trade marks of Zip Water (Aust) Pty Ltd. Zip products described in this publication are manufactured under one or more patents and further patent applications are pending.

As Zip policy is one of continuous product improvement, changes to specifications may be made without prior notice. Images in this booklet have been modified and may not be true representations of the finished goods.

© 2018 Zip Water (Aust) Pty Ltd

