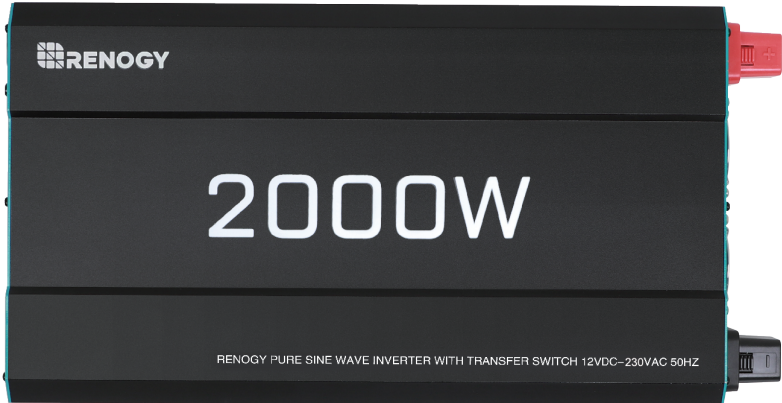


DC TO AC POWER INVERTER

1000W/2000W/3000W

Version 1.6



Important Safety Information

Incorrect installation or misuse of the inverter may result in danger to the user or hazardous conditions. We urge you to pay special attention to all CAUTION and WARNING statements. CAUTION statements identify conditions or practices that may result in damage to other equipment. WARNING statements identify conditions that may result in personal injury or loss of life.

DANGER

HAZARDOUS OF ELECTRIC SHOCK EXPLOSION OR ARC FLASH This equipment must only be installed and serviced by qualified electrical personnel.

- Always use a properly rated voltage sensing device to confirm power is off.
- Replace all devices, doors, and covers before turning on power to this equipment.
- batteries can present a risk of electric shock, high short-circuit current and exposure gases and chemicals.
- The following precautions must be observed when working with batteries.
 - Remove watches, rings or other metal objects.
 - Use tools with insulated handles.
 - Do not lay tools or other metal parts on top of batteries.

Servicing of batteries must only be performed by qualified personnel knowledgeable of batteries and the required precautions. Keep unqualified personnel away from batteries.

- Disconnect the charging source prior to connecting or
- Note that the surface temperature of the product is too high to prevent burns. disconnecting battery terminals.

Failure to follow these instructions will result in death or serious injury.



WARNING

Shock hazard. Keep away from children

- The inverter generates the same potentially lethal AC power as a normal household wall outlet. Treat it with the same respect.
- Do not insert foreign objects into the inverter's AC outlet, fan or vent openings.
- Do not expose the inverter to water, rain, snow or spray.
- Do not under any circumstances, connect the inverter to utility power AC distribution wiring.

WARNING

Explosion hazard

- Do not use the inverter in the presence of flammable fumes or gases, such as in the bilge of a gasoline powered boat, or near propane tanks. Do not use the inverter in an enclosure containing automotive-type, lead-acid batteries. These batteries, unlike sealed batteries, vent explosive hydrogen gas, which can be ignited by sparks from electrical connections.
- When working on electrical equipment always ensure someone is nearby to help you in an emergency.

CAUTION

- Do not connect live AC power to the inverter's AC outlets. The inverter will be damaged even if it is switched OFF.
- Do not connect any AC load, which has its neutral conductor connected to ground, to the inverter.
- Do not expose the inverter to temperatures exceeding 104 °F (40 °C).

CAUTION

Do not use inverter with the following equipment

- Small battery operated product such as rechargeable flashlights, some rechargeable shavers, and night-lights that are plugged directly into an ac receptacle to recharge.
- Certain battery chargers for battery packs used in hand powered tools. These chargers will have warning labels stating that dangerous voltages are present at the charger's battery terminals.
- Connect inverter only to batteries with a 12V DC nominal output. A battery with 6V nominal output will not supply enough voltage and a battery with 24V/48V nominal output will DAMAGE THE INVERTER.

Introduction

Thank you for purchasing the power inverter. The inverter is a compact and highly portable power inverter, the leader in the field of high frequency inverter design. From the dedicated 12V DC battery, or the solar power bank, the inverter will efficiently and reliably power a wide variety of household AC products such as TVs, computers and VCRs. The included automatic safety monitoring circuitry protects the inverter and battery from inadvertent errors.

Read this guide before installing or using the inverter and save it for future reference.

■ Safety Features

These advanced safety features are built into the inverter:

- Electronic overload protection with automatic shutdown.
- Built-in internal backup DC fuse provides added safety.
- Low battery voltage protection with automatic shutdown.
- Over temperature protection with automatic shutdown.
- Output short circuit protection.

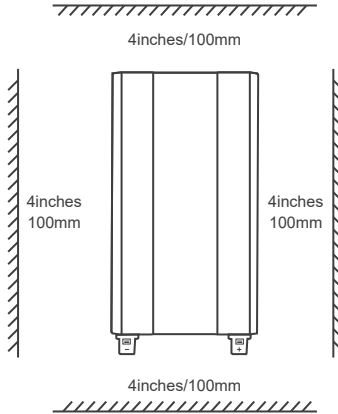
Installation Guidelines

■ Selecting a Suitable Location

For safe and optimum performance, install the inverter in a location that is

- **Dry.** Do not expose to water drip or spray.
- **Cool.** Operate only in ambient temperatures between 32 °F (0 °C) and 104 °F (40 °C). Keep away from furnace heating vents or other heat producing equipment.
- **Well ventilated.** Allow at least 2 inches (5cm) clearance above and on all sides of the unit for proper cooling.
- **Safe.** Do not install inverter in a compartment with batteries or flammable liquids, such as gasoline, or explosive vapors.
- **Clean and free of dust and dirt.** This is especially important if the inverter is used in a work environment.
- **Elevation.** The product is installed and used at an altitude of less than 2,000 m.
- Avoid side and top foreign material from falling inside the device.
- Use only sealed lead-acid, flooded, lithium battery, or gel batteries which must be deep cycle.

Products must be installed by qualified electricians. The product must be installed in a dry and well-ventilated area, as close as possible to the battery. A space refrigeration device of at least 10 centimeters should be left.



Please Note: While the inverter has fans for cooling, this installation location optimal for natural convection cooling will improve the overall efficiency .

■ Using the DC Cable-Ring terminal

Due to limitations in the common 12V DC outlet in a vehicle or boat, the inverter should only be used to supply AC power to products that require the rated continuous power or less.

1. Attach the ring type connector marked with red to the positive (+) DC terminal on the inverter and attach the ring connector marked with black to the negative (-) DC terminal.

CAUTION

A reverse polarity connection (positive to negative) may damage the inverter. Damage caused by a reverse polarity connection is not covered under warranty.

2. Tighten the nut on each DC terminal by hand until it is snug. Do not over tighten.

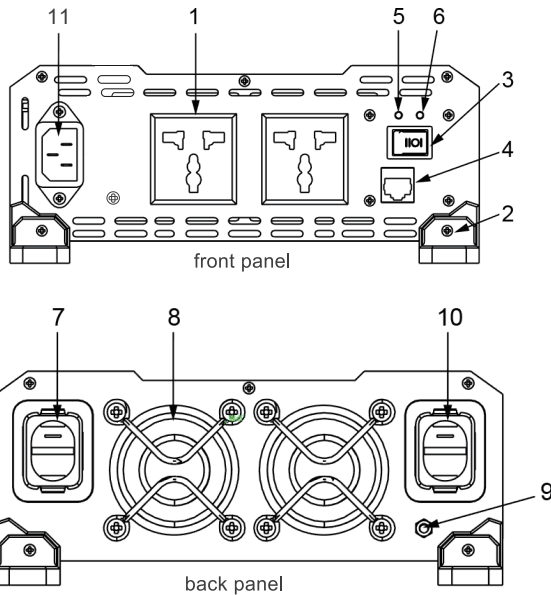
Using the inverter

The inverter is capable of continuously powering most 230V and 240V AC products that use the rated continuous output power or less. The inverter is a pure sine wave and is designed to mimic utility power.

The power, or “wattage”, rating of ac products is the average power they use. When many AC products are first switched on, they initially consume more power than their power rating. TVs, monitors, and electric motors are examples of products that have high “surge” requirements at start up. Although the inverter can supply momentary surge power as high as surge power, occasionally some products rated less than the rated continuous output power may exceed its surge capabilities and trigger its safety overload shutdown feature. If this problem occurs when attempting to operate several AC products at the same time ,try first switching on inverter with all AC products switched off ,then one by one switch each on, starting with the high surge product first.

■ Indicators and Controls (See Figure 1)

- The AC outlets are provided on one end of the inverter. Any combination of 230V/240V AC product with a total continuous power consumption of the continuous power or less may be plugged in.
- The ON/OFF switch enables output AC power at the AC outlets when switched ON.
- The green POWER light indicates AC power is present at the AC outlets and the inverter is operating normally.
- The red FAULT light indicates inverter shutdown caused by low or high voltage, overload or excessive temperature.
- The yellow Fault light indicates short circuit or overload starting protection



- | | | |
|---------------------|---------------------------------|--------------------------------|
| 1. AC outlet socket | 5. Fault indicator | 9. Ground terminal |
| 2. Fixed foot | 6. Power indicator | 10. Red (positive) terminal M8 |
| 3. ON/OFF switch | 7. Black (negative) terminal M8 | 11. AC input (Pin socket 10A) |
| 4. Remote port | 8. Fan | |

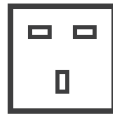
■ Socket Types



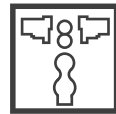
Continental
European (16A)



Australia/New
Zealand (15A)



United
Kingdom (13A)



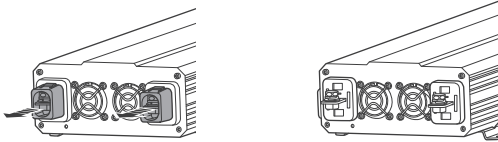
Universal

Package Contents

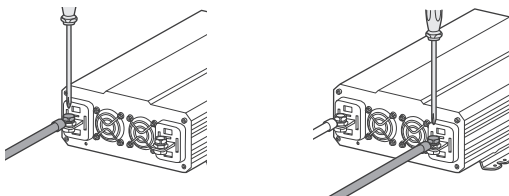
Package Contents	
DC TO AC POWER INVERTER X 1	User Manual x 1
Wired Remote Control x 1	
1000W: 20mm ² @ 600mm	
2000W: 20mm ² @ 600mm	
3000W: 25mm ² @ 600mm	

Inverter operation

1. When properly connected to a 12V DC outlet or battery, turning the ON/OFF switch ON, will illuminate the green POWER light, and AC power to the outlets.
2. Plug the AC product(s) you wish to operate onto the AC outlet(s) and switch them on, one at a time.
3. As the battery capacity is used up, battery voltage begins to fall. When the inverter senses that the voltage at its DC input has dropped to 9.7~10.7V, the audible alarm will sound. This allows time for computers or other sensitive devices to be shut down.
4. If the audible alarm is ignored the inverter will automatically shut down when the battery voltage drops to 9~10V. This prevents battery damage from excessive discharge. After auto shut down, the red FAULT light illuminates.
5. On the DC (M8) side, remove the protection cap.

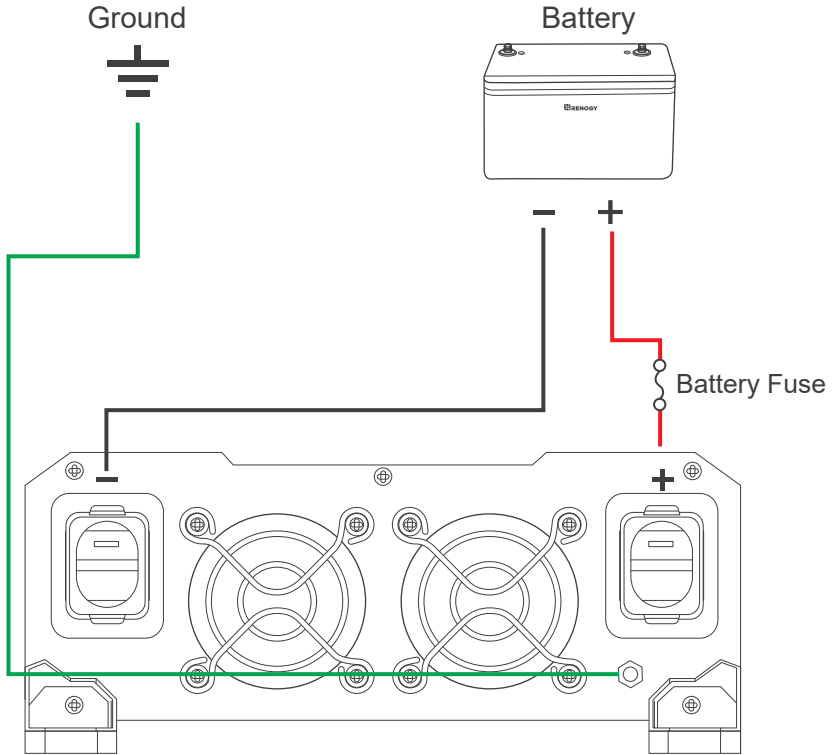


6. Unscrew Positive and Negative DC Input Terminals, connect a battery bank to the terminals, and tight the terminal screws. Torque: 14(±0.5) N·m
For your safety, it is recommended to use a battery fuse.



For your safety, it is recommended to use a battery fuse.

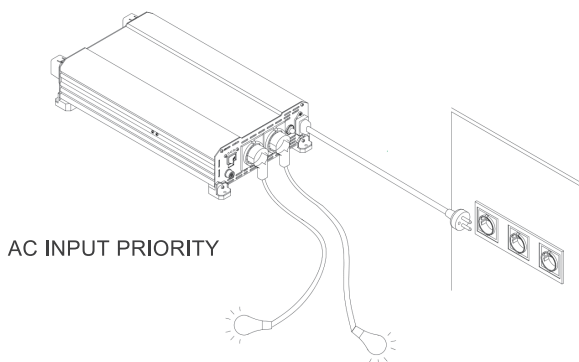
Model	R-INVT-PUH1-101235	R-INVT-PUH1-201235	R-INVT-PUH1-301235
Continuous Output Power	1000W	2000W	3000W
Battery Fuse	150A	250A	400A



— Positive (DC) — Negative (DC) — Ground

IMPORTANT: Vehicle batteries are designed to provide short periods of very high current needed for engine starting. They are not intended for constant deep discharge. Regularly operating the inverter shortens the life of the battery. Consider connecting the inverter to a separate deep discharge type battery if you will be frequently running electrical products for long time.

Tip: The user uses the attached wire.



AC Priority function: when both AC input and battery input available

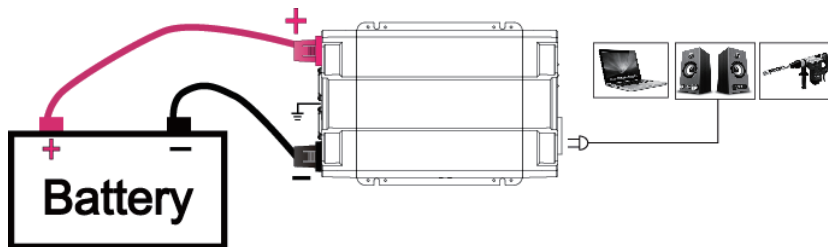
You can plug your AC loads directly into the receptacles on the inverter's AC side. (PE connectors cannot be used for other purposes)

-AC input is selected automatically as priority.

-When AC input being removed, the unit will change to DC input automatically.

Connect the AC input cable set with the plug on the inverter panel, connect the load and switch on inverter.

5. If an AC product rated higher than the rated continuous power (or which draws excessive surge power) is connected, the inverter will shut down. The red FAULT light will turn on.
6. If the inverter exceeds a safe operating temperature, due to insufficient ventilation or a high temperature environment, it will automatically shut down. The red FAULT light will turn on and the audio warning will sound.
7. Should a defective battery charging system cause the battery voltage to rise to dangerously high levels, the inverter automatically shuts down.



CAUTION

Although the inverter incorporates protection against over-voltage, it may still be damaged if the input voltage exceeds 16 volts.

8. In the event of an overload, low battery voltage or overheating, the inverter will automatically shut down (See Section 4).

■ Battery Operating Time

Operating time will vary depending on the charge level of the battery, its capacity and the power level drawn by the particular AC load.

When using the battery of the vehicle as a power source, it is strongly recommended to start the vehicle every hour or two to recharge the battery before its capacity drops too low. The inverter can operate while the engine is running, but the normal voltage drop that occurs during starting may trigger the inverter's low voltage shut down feature.

Because the inverter draws less than the no-load current draw with the ON/OFF switch in ON position and with no AC products connected, it has minimal impact on battery operating times.

■ Interference with Electronic Equipment

Generally, most AC products operate with the inverter just as they would with household AC power. Below is information concerning two possible exceptions.

Buzzing Sound in Audio Systems and Radios

Some inexpensive stereo systems, "boom boxes", and AM-FM radios have inadequate internal power supply filtering and "buzz" slightly when powered by the inverter. Generally, the only solution is an audio product with a higher quality filter.

Television Interference

The inverter is shielded to minimize its interference with TV signal. However, with weak TV signals interference may be visible in the form of lines scrolling across the screen. The following should minimize or eliminate the problem:

-
- Use an extension cord to increase the distance between the inverter and the TV, antenna and cables.
 - Adjust the orientation of the inverter, television, antenna and cables.
 - Maximize TV signal strength by using a better antenna and use shielded antenna cable where possible.
 - Try a different TV. Different models of televisions vary considerably in their susceptibility to inverter.

■ AC Priority Switch Function

- When AC utility power available and inverter is connected, the internal circuit will detect and change from battery mode to AC utility mode. When AC utility power is not available, the internal circuit will detect and change back to battery supply mode.
- After the transfer from battery supply to AC utility supply or from AC utility supply to battery supply, please check if the electronic devices need to be restarted manually.

Troubleshooting

PROBLEM: AC product will not operate

Possible Cause	Suggested solution
Battery is defective.	Check battery and replace if required.
Inverter has been connected with reverse DC input polarity.	Check connection to battery. Probable inverter damage has occurred. Have unit repaired(not covered by warranty)
Loose cable connections.	Check cables and connections. Tightens required

PROBLEM: Inverter will run some small loads, but not large ones

Possible Cause	Suggested solution
Voltage drop across DC cables	Shorten cables or use heavier cables.

PROBLEM: Battery run time is less than expected.

Possible Cause	Suggested solution
AC product power consumption is higher than rate.	Use a larger battery to make up for increased power requirement
Battery is old or defective	Replace battery
Battery is not being properly charged.	Many simple charges are unable to charge a battery fully. Replace charger with better model such a TRUE CHARGE smart charger.
Power dissipation in DC cables.	Use shorter/heavier DC cables.




PROBLEM: Battery run time is less than expected.

Possible Cause	Suggested solution
AC product(s) connected are rated at more than the rated continuous output power: overload shutdown has occurred.	Use product with a power rating less than the rated continuous output power.
AC product is rated less than rated continuous output power: high starting surge has caused overload shutdown.	Product exceeds inverter's surge capability. Use a product with starting surge power within the inverter's capability.
Inverter has overheated due to poor ventilation and has caused over temperature shutdown.	Switch inverter OFF and allow to cool for 15 minutes. Clear blocked fan or remove objects covering unit. Locate unit to a cooler environment. Reduce load if continuous operation is required. Restart. Verify charging system is properly regulated and battery is 12V DC nominal.

Specifications



Item Number	R-INV-T-PUH1-101235	R-INV-T-PUH1-201235	R-INV-T-PUH1-301235
Rated Input DC Voltage	12VDC		
Constant output power	1000W	2000W	3000W
Output voltage	220-240Vac		
Output frequency	50HZ		
Static Current	1.0A	1.3A	1.5A
Input voltage range	11-16VDC		
Low voltage shutdown	10VDC		
Recover from low voltage protection	12VDC		
Rated AC input voltage range	200-240VAC		
Rated AC Input Current	100A	200A	300A
Transfer from battery supply to AC mains	Within 50mS		
Transfer from AC mains supply to battery	Within 50mS		
High voltage shutdown	16.3VDC		
Ambient temperature	0 C—40 C		
Heat dissipation	Fan		
Ingress Protection	IP20		
Product dimension	342*173*76 mm	442*220*92 mm	482*220*92 mm
Weight	2.6kg	4.8kg	6.4kg


Renogy reserves the right to change the contents of this manual without notice.



US |  2775 E Philadelphia St, Ontario, CA 91761, USA
 909-287-7111
 www.renogy.com
 support@renogy.com

CN |  苏州高新区科技城培源路1号5号楼-4
 400-6636-695
 <https://www.renogy.cn>
 support@renogy.cn

JP |  <https://www.renogy.jp>
 supportjp@renogy.com

CA |  <https://ca.renogy.com>
 supportca@renogy.com

AU |  <https://au.renogy.com>
 supportau@renogy.com

UK |  <https://uk.renogy.com>
 supportuk@renogy.com

DE |  <https://de.renogy.com>
 supportde@renogy.com

UK	REP	EVIATOST CONSULTING LTD Suite 11,First Floor,Moy Road Business Centre,Taffs Well,Cardiff,Wales,CF15 7QR contact@evatmaster.com
-----------	------------	---

Manufacturer: RENOGY New Energy Co.,Ltd
Address: No.66,East Ning bo Road Room 624-625
Taicang German Overseas Students Pioneer Park
JiangSu 215000 CN