



EN ■ Portable Air Conditioner

Translation of the original manual

READ CAREFULLY AND STORE FOR FUTURE USE.



This symbol indicates that not adhering to instructions may result in death or serious injuries.



WARNING: To prevent the death or injury of the user or other persons or damage to property, the following instructions must be adhered to. Incorrect use as a result of not adhering to instructions may cause death, injuries or damage.

- This appliance may be used by children 8 years of age and older and by persons with physical, sensory, or mental impairments or by persons with a lack of experience or knowledge, if they are properly supervised or have been informed about how to use the product in a safe manner and understand the potential dangers.
- Cleaning and maintenance performed by the user must not be performed by unsupervised children.
- Children must not play with the appliance.
- If the power cord is damaged, it must be replaced by an authorised service centre or by another similarly qualified person, this will prevent the creation of a dangerous situation. It is forbidden to use the appliance if it has a damaged power cord.

- The appliance must be stored in a manner that prevents its mechanical damage.
- The appliance must be stored in a well-ventilated location, where the dimensions of the room correspond to the dimensions specified for its operation.
- The appliance must be stored in a room where an open flame is not continuously in use (e.g. running gas appliance) or where there are not sources of ignition (e.g. running electrical heating element).
- Before connecting the appliance to a power socket, check that the rated voltage on its rating label matches the electrical voltage in the power socket.
- Connect the appliance only to a properly grounded socket.
- The power socket must be freely accessible so that it is possible to quickly disconnect the power cord from the power source if necessary.
- The appliance is designed for use at home, in offices and similar types of areas. Do not use it in very dusty or humid rooms such as laundries or bathrooms, in areas where chemical or explosive substances are stored, in industrial surroundings or outdoors.
- Do not place the appliance in the vicinity of an open flame or appliances that are sources of heat.
- Do not place the appliance on unstable surfaces such as carpets with very long and thick fibres.
- The appliance may only be used on a dry, stable, smooth and horizontal surface.
- The appliance is equipped with travel wheels, so pay extra attention when handling it so that it does not fall downstairs or travel down from sloped areas. If necessary, secure the wheels using the stoppers.

- Only use original parts to assemble the appliance. Before starting to assemble the appliance, make sure that it is turned off and disconnected from the power socket.
- Prior to connecting the appliance to a power socket, make sure that the appliance is correctly assembled according to the instructions in this user's manual.
- Do not touch the appliance with wet or damp hands. This applies especially when it is connected to a power socket.
- Do not expose the appliance to dripping or spraying water or submerge it in water or another liquid.
- Do not cover or insert anything into the air inlet or air outlet openings. Otherwise, this could damage the appliance.
- During operation there needs to be sufficient space for air circulation of at least 30 cm on all sides of the appliance.
- Do not expose yourself to a cold air current for a long time. This could have a negative effect on your health.
- To turn the appliance on or off, always use the appropriate buttons on the control panel or the remote control. Do not turn off the appliance by disconnecting the power cord from the power socket.
- Always turn off the appliance and disconnect it from the power socket when leaving it without supervision, when not using it and before moving, disassembling, or cleaning it.
- Do not attempt to remove the outer case of the appliance.
- Disconnect the appliance from the power socket by pulling on the plug, never pulling on the power cord. Otherwise, this could damage the power cord or the socket.
- If the power cord or power plug are damaged in any way, do not use the appliance.
- Store the appliance in a vertical position. It may be transported in a vertical position or tilted on the side. If you have already

used the appliance, check that all the condensate has been drained. After transporting it, wait at least 1 hour before using the appliance.

- Do not use the appliance if it is not working correctly if it has been damaged or has been submerged in water. To avoid a hazardous situation arising, do not repair the device yourself or modify it in any way. Have all repairs or adjustments performed at an authorised service centre. By tampering with the appliance, you risk voiding your legal rights arising from unsatisfactory performance or quality warranty.
- Installation must be performed in accordance with the installation instructions. Incorrect installation may result in a water leak, injury by electrical shock or fire.
- To prevent the risk of fire or injury by electrical shock, do not use this appliance with a timer or any another similar device that could spontaneously start this appliance.
- The appliance must be installed in accordance with national electrical codes.
- Only use this product for the purposes that are described in this user's manual. Otherwise, this may result in damage or excessive noise and vibrations.
- Use only the accessories and components that are supplied together with the appliance and the tools explicitly intended for its installation. The use of non-standard parts and accessories may result in a water leak, injury by electrical shock, fire, injury, or damage to property.
- DO NOT ADJUST the length of the power cord of the unit and do not use an extension cord for its power supply.
- DO NOT CONNECT the unit to a power socket to which other electrical appliances are already connected. The incorrect

selection of an electrical power supply may result in a fire or injury by electrical shock.

- Do not cover the cable with a carpet. Do not place carpets, fillets, or any other floor coverings on the power cord. Do not locate the cable underneath furniture or appliances. Lead the cable where nothing will ride over it and where nobody can trip over it. If this occurs, immediately disconnect the unit from the power socket.
- If the unit is tipped over during use, turn it off and immediately disconnect it from the main power supply. Visually check that the unit has not been damaged in any way.
- In the event of any doubts that the unit has been damaged in any way, seek assistance from a technician or customer service.
- The power supply must be disconnected during a thunderstorm to prevent damage to the appliance in the event of a lightning strike.
- Disconnect the power supply to the appliance if it makes a strange noise or if an odour or smoke is emitted.



Read this user's manual.



Warning:
Fire hazard.

SPECIFIC INFORMATION FOR APPLIANCES USING REFRIGERANT GAS R290

- Carefully study any warnings.



CAUTION :

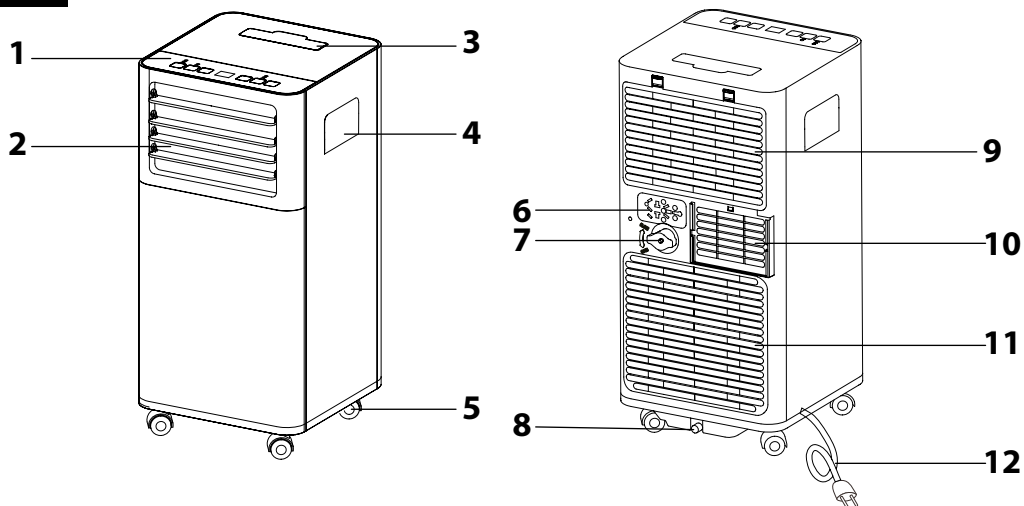
For defrosting and cleaning, do not use any other tools than those recommended by the manufacturer.

- This appliance must be placed in an area without any continuous source of ignition (for example an open fire, gas or electrical appliances in operation).
- Do not puncture or do not burn it.
- Refrigerant gases may be odourless.
- The appliance must be installed, used, and stored in an area that is greater than 13 m².
- This appliance contains approx. 170 g of refrigerant gas R290.
- R290 is a refrigerant gas that complies with the European directives on the environment. Do not puncture any part of the refrigerant circuit.
- If the appliance is installed, used and stored in a non-ventilated area, the room must be designed to prevent the accumulation of refrigerant leaks resulting in a risk of fire or explosion due to ignition of the refrigerant caused by electrical heaters, stoves, or other sources of ignition.
- The appliance must be stored in such a way as to prevent mechanical failure.
- Individuals who operate or work on the refrigerant circuit must have the appropriate certification issued by an accredited organisation that ensures competence in handling refrigerants

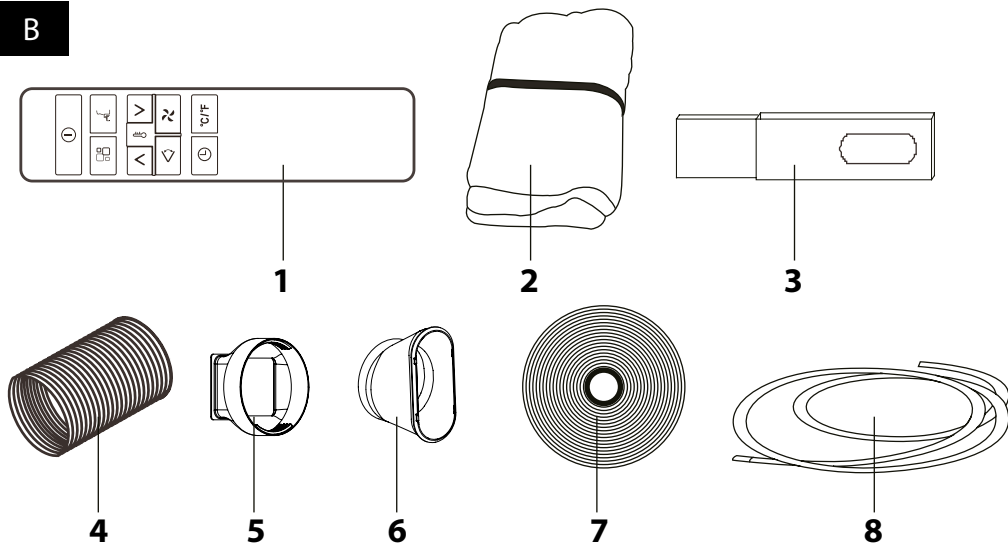
according to a specific evaluation recognized by associations in the industry.

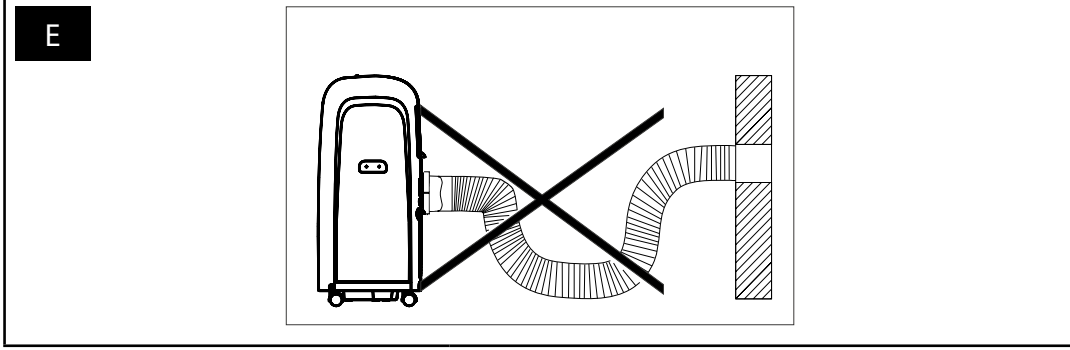
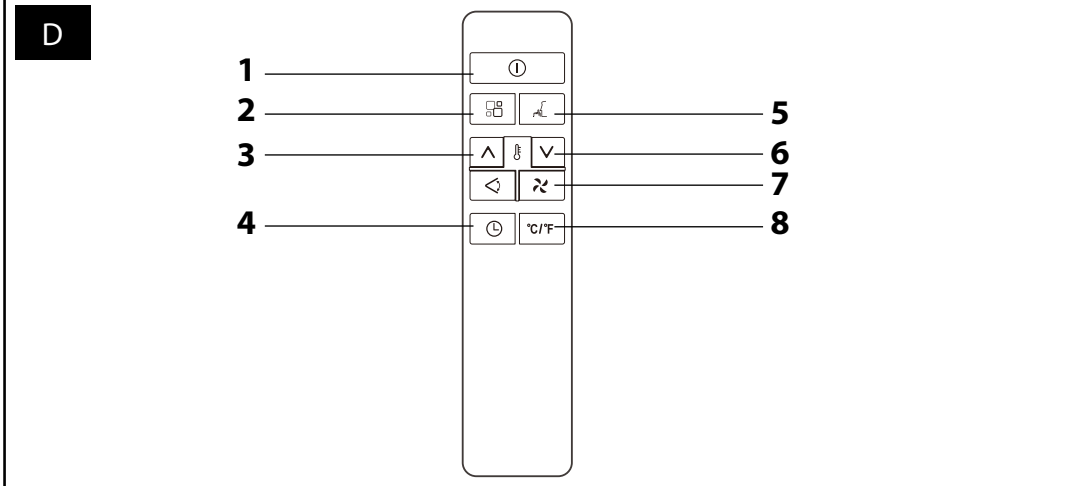
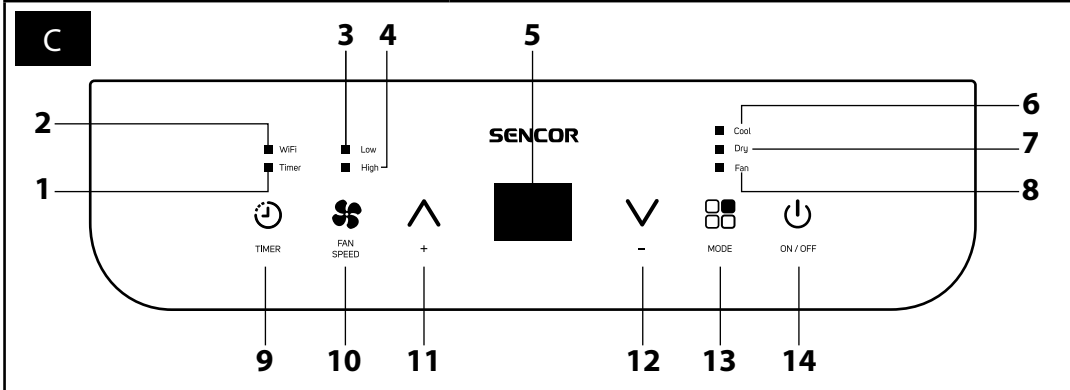
- Repairs must be performed based on the recommendations from the manufacturing company. Maintenance and repairs that require the assistance of other qualified personnel must be performed under the supervision of an individual specified in the use of flammable refrigerants.
- Check the rating label for the type of refrigerant gas used in your appliance.
- Do not cover the ventilation slots.
- Compliance with national gas regulations shall be observed.

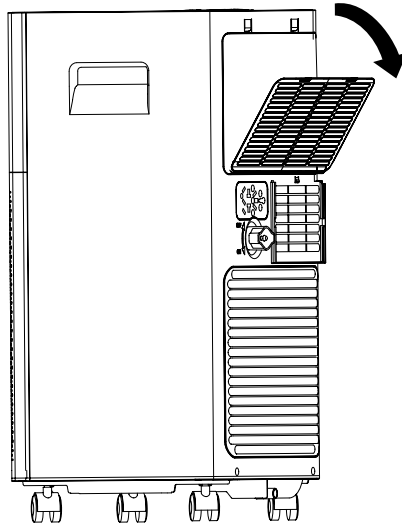
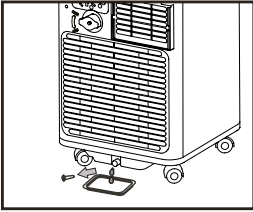
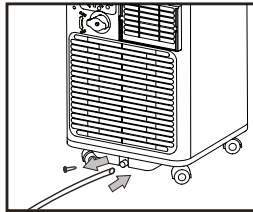
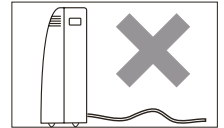
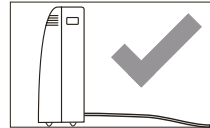
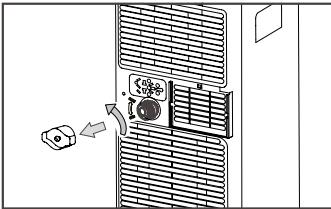
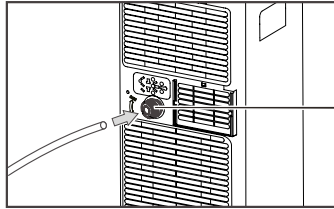
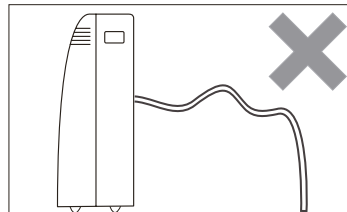
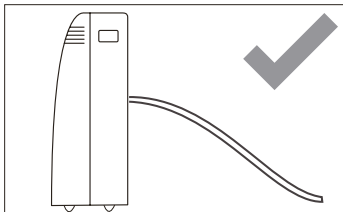
A



B





F**G1****G2****G3****H1****H2****H3**

- Prior to using this appliance, please read the user's manual thoroughly, even in cases, when one has already familiarised themselves with previous use of similar types of appliances. Only use the appliance in the manner described in this user's manual. Keep this user's manual in a safe place where it can be easily retrieved for future use.
- We recommend saving the original cardboard box, packaging material, purchase receipt and responsibility statement of the vendor or warranty card for at least the duration of the legal liability for unsatisfactory performance or quality. In the event of transportation, we recommend that you pack the appliance in the original box from the manufacturer.

DESCRIPTION OF THE APPLIANCE

A1 Control panel	A9 Removable grille with filter (top evaporator air inlet is located under the grille)
A2 Air outlet	A10 Air outlet to connect the flexible hose
A3 Remote control storage slot	A11 Bottom air inlet of the condensation unit
A4 Handles (located along both sides)	A12 Power cable
A5 Travel wheels	
A6 Universal power cord plug plate	
A7 Top drain outlet	
A8 Bottom drain outlet	

DESCRIPTION OF THE ACCESSORIES

B1 Remote control (batteries included)	B4 Wide flexible hot air exhaust hose
B2 Sealing kit for roof, sash, and tilt-open windows: - textile protection with a zip - tape of self-adhesive velcro	B5 Inlet hose adaptor
B3 Plastic window set for sliding and roof windows (screws included)	B6 Outlet hose adaptor
	B7 Sealing
	B8 Drain hose

DESCRIPTION OF THE CONTROL PANEL

C1 Timer indicator	C9 button to set the timer
C2 Wi-Fi indicator (valid only for Wi-Fi models)	C10 button to set the fan speed
C3 Low speed fan indicator	C11 + button
C4 High speed fan indicator	C12 - button
C5 Display	C13 button to select an operation mode
C6 Cooling mode indicator	C14 button to turn on / off
C7 Dehumidification mode indicator	
C8 Fan mode indicator	

REMOTE CONTROL

D1 button to turn on / off	D6 - button
D2 button to select an operation mode	D7 button to set the fan speed
D3 + button	D8 °C / °F button to change the temperature unit
D4 button to set the timer	
D5 button to set the sleep mode	

Note:

The SWING function is available only for certain models.



INSTALLATION

Location of the portable air conditioner

- Locate the portable air conditioner on an even, dry, and stable surface and within reach of a grounded power socket.
- For easier handling, the portable air conditioner is equipped with travel wheels **A5**. Do not use the travel wheels **A5** when you need to move the air conditioner over carpets or similar surfaces. Avoid riding over objects.
- To achieve optimal efficiency, maintain a distance of at least 45 cm from the wall or other obstacles.

Warning:

Do not block the air inlet or air outlet.



Note:

Do not use the portable air conditioner to cool a room where computer servers, etc. are located. Installation, adjustment, maintenance, and repairs must only be performed by a qualified person.



Installation of flexible hose on to the portable air conditioner

- The flexible hose **B4** must be connected to the portable air conditioner and installed into a window in accordance with the operating modes that you wish to set. Install the flexible hose **B4** when you wish to select the operating modes: cooling and dehumidification.

- Extend the flexible hose **B4** to the required length. Fix the inlet hose adaptor **B5** on to the end of the flexible hose **B4**. Place it over the air outlet **A10** and fix it on the air outlet **A10** by moving it down.
- Fix the outlet hose adaptor **B6** on to the second end of the flexible hose **B4**.



Note:

Avoid excessive bending of the hose – see fig. E. To ensure the proper operation of the portable air conditioner, it is important not to overload the hose, or to bend it unnecessarily. Excessive loading or bending may damage the hose.

Installation of flexible hose into a slide window

- The window insert is designed to be compatible with the majority of sliding windows (vertical and horizontal). Nevertheless, for certain types of slide windows it may be necessary to modify the installation procedure described below.
- Open the sliding window sash and place the window insert into the window. Adjust the dimensions of the window insert to the width of the window (on a vertical slide window) / height of the window (on a horizontal slide window). If necessary, cut away a part of the window insert if the window is too small. Close the sliding window sash to the window insert. Insert the flexible hose **B4** with attached outlet hose adaptor **B6** into the hole in the window insert.

Installation of flexible hose using the sealing kit

- The sealing kit **B2** is suitable for tilt-open, sash and roof windows. The textile protection is easy to install in the window using the Velcro. Open the window and into the created crevice install the tape of Velcro. We recommend that you thoroughly degrease the location where you will be attaching the tape of Velcro using an appropriate cleaning agent. Remove the protective paper strip and stick the tape on to the window frame.
- To be able to insert the flexible hose **B4**, the textile protection is fitted with an integrated zip. Open the zip in such a location that will enable you to easily insert the flexible hose **B4**.
- It is not necessary to remove the sealing kit **B2** from the window when not using the portable air conditioner. The window can be still closed.

OPERATION OF THE PORTABLE AIR CONDITIONER

A. CONTROL PANEL

- Insert the power plug into a power socket. Now, the portable air conditioner sets itself to the stand-by mode.

Turning the portable air conditioner on and off

- To turn on the portable air conditioner, press the button **C14**. Press it again to switch the portable air conditioner to the stand-by mode.



Note:

Never turn off the portable air conditioner by pulling the power cord out of the power socket. Turn off the portable air conditioner using the button **C14**, wait a few minutes and then pull out the power cord.

OPERATING MODES

1. Cooling mode

- Repeatedly press the button **C13** until the cooling indicator **C6** is lit. Use the +/- buttons to set the desired temperature. You can set the temperature in the range from 18 to 32 °C. The set temperature is shown on the display **C5**.
- Use the button **C10** to set the fan speed in the following order: High (high speed) – Low (low speed). Each time the button is pressed, the respective indicator will be lit on the control panel **A1**.

2. Fan mode

- Repeatedly press the button **C13** until the fan indicator **C8** is lit. Use the button **C10** to set the fan speed in the following order: High (high speed) – Low (low speed). Each time the button is pressed, the respective indicator will be lit on the control panel **A1** and at the same time, the respective graphic symbol (☰ symbol for high speed; ☷ symbol for low speed) will be lit on the display **C5**. In this mode, it is not possible to set the temperature, nor it is necessary to connect the flexible hose **B4** to the portable air conditioner.

3. Dehumidification mode

- Ensure the flexible hose **B4** is connected to the air conditioner. Repeatedly press the button **C13** until the dehumidification indicator **C7** is lit. The display **C5** shows ☂. In this mode, it is not possible to set the temperature or fan speed. The fan speed is automatically set.

FUNCTIONS OF THE PORTABLE AIR CONDITIONER

1. Automatic turn-on function

- Turn the portable air conditioner on by pressing the button **C14**. Use the button **C13** to select the operation mode in which you wish to turn the portable air conditioner on. Use the +/- buttons to set the desired temperature and use the button **w** to set the fan speed as required. Press the button **C14** to turn the portable air conditioner off.
- Now, press shortly once button **C9**. Press the button **C9** repeatedly to set the time after which the portable air conditioner will turn on automatically. You can set the time of the automatic turn-on function in the range from 1 up to 24 hours.
- After a few seconds, the set time will be saved in the air conditioner memory and the automatic turn-on indicator will be lit on the display **C5**. Once the set time elapses, the portable air conditioner will turn on automatically.
- If you press button **C9** or button **C14** after the automatic turn-on function is set, the setting will be automatically cancelled.

2. Automatic turn-off function

- While the portable air conditioner is running, press the button **C9**. Press the button **C9** repeatedly to set the time after which the portable air conditioner will turn off automatically. You can set the time of the automatic turn-off function in the range from 1 up to 24 hours.
- After a few seconds, the set time will be saved in the air conditioner memory and the automatic turn-off indicator will be lit on the display **C5**. Once the set time elapses, the portable air conditioner will turn off automatically.
- If you press button **C9** or button **C14** after the automatic turn-off function is set, the setting will be automatically cancelled.

3. Change of the temperature unit

- Press and hold +/- buttons simultaneously to change the temperature unit from °C to °F and vice versa.

4. Wi-Fi function (valid only for Wi-Fi models)

- You can also control the portable air conditioner directly from your smart phone thanks to the "TuyaSmart" application.
- Install the "TuyaSmart" application on to your smart phone. The application is available for operating systems iOS (App Store) and Android (Google Play). Further follow the instructions in the application.



- In order to control the portable air conditioner using the installed application, it is necessary the Wi-Fi is turned on.
- While the portable air conditioner is off (it is in stand-by mode), press the button **C10** six times within four seconds to reset the Wi-Fi signal. An audible alert sounds. If the function is on, the indicator **C2** will be lit.

B. REMOTE CONTROL

Inserting and replacing batteries

- Slide out the battery compartment cover, which is located on the rear side of the remote control. Place two AAA/LR03 (2x 1.5 V) alkaline batteries into the battery compartment and close the cover.
- When inserting the batteries ensure the correct polarity as shown in the battery compartment.
- When replacing the batteries, always use batteries of the same type, never combine old and new batteries or batteries of various types.



Note:

Removing the batteries from the remote control will delete all the settings. After new batteries are inserted the default remote control settings as programmed by the manufacturer will be renewed.
If you do not use the remote control for longer than 2 months, remove the batteries.

Caution:

Dispose the used batteries according to the local regulations. Never dispose the batteries together with the household waste. Do not use old and new batteries at the same time. Do not use alkaline, standard, and rechargeable batteries at the same time. Do not throw batteries into fire. They may explode or leak.

Using the remote control

- For the remote control to work correctly, ensure that the maximum distance of the remote control from the portable air conditioner is not greater than 7 m and that there is no obstacle between the remote control and the portable air conditioner that could prevent the transmission of the signal.
- Point the remote control directly at the portable air conditioner. The transmission of the signal is confirmed by a short sound signal.
- Do not expose the remote control to direct sunlight or high temperatures. Otherwise, the signal may not be transmitted.

Turning the portable air conditioner on and off

- Press the button **D1** once to turn the portable air conditioner on. Press it again to switch the portable air conditioner to the stand-by mode.

OPERATING MODES

1. Cooling mode

- Repeatedly press the button **D2** until the cooling indicator **C6** is lit. Use the +/- buttons to set the desired temperature. You can set the temperature in the range from 18 to 32 °C.
- Use the button **D7** to set the fan speed in the following order: High (high speed) – Low (low speed). Each time the button is pressed, the respective indicator will be lit on the control panel **A1**.

2. Fan mode

- Repeatedly press the button **D2** until the fan indicator **C8** is lit. Use the button **D7** to set the fan speed in the following order: High (high speed) – Low (low speed). Each time the button is pressed, the respective indicator will be lit on the control panel **A1** and at the same time, the respective graphic symbol (symbol for high speed; symbol for low speed) will be lit on the display **C5**. In this mode,

it is not possible to set the temperature, nor it is necessary to connect the flexible hose **B4** to the portable air conditioner.



Note:

In the fan mode, it is not possible to set the temperature.

3. Dehumidification mode

- Ensure the flexible hose **B4** is connected to the air conditioner. Repeatedly press the button **D2** until the dehumidification indicator **C7** is lit. The display **C5** shows . In this mode, it is not possible to set the temperature or fan speed. The fan speed is automatically set.

FUNCTIONS OF THE PORTABLE AIR CONDITIONER

1. SLEEP FUNCTION

- The sleep function is used to reduce overnight power consumption when a constant temperature is not necessary. The function also ensure comfort while sleeping as the air conditioner operation is turned down and the display illumination is dimmed.
- Select the operation mode – see the previous part of the manual.
- Press the button **D5**. The portable air conditioner will operate in the previously selected mode.
- When you choose the sleep function, the display illumination **C5** will be dimmed and the fan will be automatically set to low speed.
- When the cooling mode was selected, the temperature will increase by 1 °C, per hour in a 2-hour period. This new temperature will be maintained for six hours and then the portable air conditioner will be turned off.
- The sleep function can be cancelled at any time by pressing the button **D5**, button **D2** or button **D7**.

2. AUTOMATIC TURN-ON AND TURN-OFF FUNCTIONS

Automatic turn-on

- Automatic turn-on function enables to set the time after which the portable air conditioner will turn on automatically.
- Turn the portable air conditioner on by pressing the button **D1**. Use the button **D2** to select the operation mode in which you wish to turn the portable air conditioner on. Use the +/- buttons to set the desired temperature and use the button **D7** to set the fan speed as required. Press the button **D1** to turn off the portable air conditioner.
- Press shortly once the button **D4**. Press the button **D4** repeatedly to set the time after which the portable air conditioner will turn on automatically. You can set the time of the automatic turn-on function in the range from 1 up to 24 hours.
- After a few seconds, the set time will be saved in the air conditioner memory and the automatic turn-on indicator will be lit on the display **C5**. Once the set time elapses, the portable air conditioner will turn on automatically.
- If you press button **D4** or button **D1** after the automatic turn-on function is set, the setting will be automatically cancelled.

Automatic turn-off

- Automatic turn-off function enables to set the time after which the portable air conditioner will turn off automatically.
- While the portable air conditioner is running, press once the button **D4**. Press the button **D4** repeatedly to set the time after which the portable air conditioner will turn off automatically. You can set the time of the automatic turn-off function in the range from 1 up to 24 hours.
- If you press button **D4** or button **D1** after the automatic turn-off function is set, the setting will be automatically cancelled.

3. CHANGE OF THE TEMPERATURE UNIT

- When the portable air conditioner is in stand-by mode, press the button **D8** to change the temperature unit from °C to °F and vice versa.

FLAP ANGLE ADJUSTMENT

- The air outlet **A2** is provided by movable flaps. If you need to adjust the air flow, you can adjust it by hand to the desired angle by moving up and down.
- Be careful while handling the flaps not to damage them. We recommend adjusting the flap angle before turning the portable air conditioner on.

TIPS FOR CORRECT USE

- To ensure the correct operation of the portable air conditioner, follow these recommendations:
 - Close all the windows and doors in the room where the portable air conditioner is used. When installed the portable air conditioner semi-permanently, you can leave the door slightly open (approx. 1cm) to guarantee correct ventilation.
 - Protect the room from the direct sunshine. Close curtains or roller blinds to ensure economy operation of the air conditioner.
 - Do not block the air inlet or air outlet.
 - Ensure there is no source of heat on in the room.
 - Never use the portable air conditioner in very damp rooms, such as laundries.
 - Never use the portable air conditioner outside.
 - Ensure the portable air conditioner is located on a level surface. Install special travel wheel brakes if needed.

MAINTENANCE AND CLEANING

- Before cleaning the portable air conditioner, turn it off and wait a few minutes, and then pull the power cord out of the power socket.

Cleaning the air filter

- When the portable air conditioner is used regularly, it is necessary to clean the air filter located behind the protective grille **A9** at least once a week to prevent the fan from being clogged by dust.
- Carefully remove the protective grille and remove the filter – see fig. **F**. To remove the dust, use a vacuum cleaner. In the event of greater soiling, hand wash the filter in a solution of lukewarm water (max. 40 °C) and neutral detergent. Then thoroughly rinse under running water and allow to dry naturally. Do not dry it in a clothes dryer or in direct sunlight. Once the filter is dry, you can install them back in their place.



Note:

Do not use the portable air conditioner without the air filter properly installed and do not use it with wet or damp air filter.

Cleaning the outer case

- To clean the outer case, use a soft wiping cloth dipped in a solution of lukewarm water and neutral detergent. Then wipe the surface dry.
- When cleaning it, do not spray the portable air conditioner with water or any other liquid, do not pour water on it or submerge it in water or in any other liquid.
- Do not use abrasive cleaning products, solvents, petrol, etc. for cleaning.

Storing the portable air conditioner

- In order to dry it and to prevent the formation of moulds, leave the portable air conditioner running in a warm room in the fan mode for approximately 12 hours.
- Disconnect the flexible hose **B4** and store it in a safe place out of the reach of children.
- Drain all the condensate from the water tank – see chapter „**Condensate water drainage**“.
- Clean the air filter and reinstall it. Wipe the outer case of the portable air conditioner. Remove the batteries from the remote control.
- Store the air conditioner in a cool, dry, and dark location.

CONDENSATE WATER DRAINAGE

- The portable air conditioner is provided by two drain outlets where each drains the condensate water from a different part of the air conditioner. In the event of a frequent use of the portable air conditioner, it is necessary to regularly check the condensate water status and drain it. If the dehumidification mode is selected, it is advised to drain the condensate water using the drain hose **B8** which is connected either to the top drain outlet or bottom drain outlet.



Note:

It is not necessary to drain the condensate water in cooling or fan modes (provided low humidity in the room). The portable air conditioner is designed to increase its efficiency with a small amount of water in the condensate tank.

CONDENSATE WATER DRAINAGE FROM THE BOTTOM DRAIN OUTLET

- Once the water level in the tank reaches the preset level, the operation of the portable air conditioner stops and the display **C5** shows "Ft" (full tank). To drain the condensate water from the air conditioner, proceed as follows:
 - Disconnect the power plug from the power socket.
 - Carefully re-locate the portable air conditioner to a location where the water may be drained.
 - Underneath the drain outlet **A8**, place a container into which the condensate water will flow. Carefully remove the plug of the drain outlet **A8**. Connect the drain hose **B8** and allow the condensate water to flow out.
 - Once the water tank is empty (condensate water has stopped flowing), disconnect the drain hose **B8** and put the plug back into the drain outlet **A8**.
 - Insert the power plug into a power socket and turn on the portable air conditioner.
- If you need to ensure the condensate water to be continuously drained from the portable air conditioner, it is possible to connect the drain hose **B8** to a waste water drain. Proceed as follows:
 - Disconnect the power plug from the power socket.
 - Remove the plug of the drain outlet **A8** – see fig. **G1**. Connect the drain hose – see fig. **G2**. If the length of the drain hose **B8** is insufficient, then it is necessary to purchase a longer hose of the same type. Never extend the length of the drain hose **B8** using extensions.
 - Connect the end of the drain hose **B8** to the waste water drain.
 - Insert the power plug into a power socket and turn on the portable air conditioner.



Note:

The drain hose **B8** should be installed at the same height or lower than the drain outlet **A8** – see fig. **G3**. Otherwise, the condensate water will not be properly drained from the water tank.

Condensate water drainage from the top drain outlet

In the dehumidification mode, you can use the top drain outlet **A7** for a continuous drainage of the condensate water.

- Disconnect the power plug from the power socket.
- Remove the plug of the drain outlet **A7** – see fig. **H1**. Connect the drain hose **B8** – see fig. **H2**. If the length of the drain hose **B8** is insufficient, then it is necessary to purchase a longer hose of the same type. Never extend the length of the drain hose **B8** using extensions.

- Connect the end of the drain hose **B8** to the waste water drain.
- Insert the power plug into a power socket and turn on the portable air conditioner.



Note:

The drain hose **B8** should be installed at the same height or lower than the drain outlet **A7** – see fig. **H3**. Otherwise, the condensate water will not be properly drained from the water tank.

Putting into operation again

Check that the power cord and plug are not damaged and that the air filter is clean. Insert a new set of batteries into the remote control. Proceed according to the instructions in section „**Inserting and replacing batteries**“. Install the portable air conditioner according to the instructions contained in the preceding part of this user's manual „**Installation**“.

TROUBLESHOOTING

Error message

Shown on the display	Meaning	Solution
	Defect on the heat sensor	Contact an authorised service centre.
	Full tank	Empty the condensate tank. Proceed according to the instructions in section „ Condensate water drainage “ described previously in this user's manual.



Note:

The drain hose **B8** should be installed at the same height or lower than the drain outlet **A7** – see fig. **H3**. Otherwise, the condensate water will not be properly drained from the water tank.

Troubleshooting

- Before contacting an authorised service centre, please check the appliance according to the following instructions:

Problem	Possible cause	Remedy
The portable air conditioner did not turn on.	There is no current in the power socket.	Engage the circuit breaker or, alternatively, try a different power socket.
	The power plug is not inserted in a power socket.	Connect the power plug to the power socket.
	The internal safety fuse is disengaged.	Wait 30 minutes, and if the problem persists, please contact an authorised service centre.
The portable air conditioner runs only for a short time.	The flexible air exhaust hose B4 is not connected or it is blocked.	Turn off the air conditioner, disconnect the hose, check that it is not blocked and reconnect the hose.
	Air inlets are blocked.	Remove the obstacles preventing air supply to the inlets.
The portable air conditioner is on, but is not cooling.	The windows and doors of the room are open and hot air comes into the room.	Make sure that all doors and windows are closed.
	There are heat sources on inside the room.	If possible remove these heat sources.
	The flexible air exhaust hose B4 is not connected. The room area is too large.	Attach the flexible hose B4 . Perform a double-check of the cooled area.
An unpleasant odour is sensed while it is running.	The air filter is clogged with dirt and dust or animal fur.	Turn off the air conditioner and clean the filter according to the provided instructions.
The portable air conditioner turns off approx. 3 minutes after it is turned on again.	The compressor's safety fuse is protecting the air conditioner against damage if turned on sooner than after 3 minutes.	Wait several minutes and then turn the air conditioner on again.
An error message appeared on the display C5 .		Proceed according to the instructions in section „ Error messages “.

TECHNICAL SPECIFICATIONS

Power supply	220 – 240 V ~ / 50 Hz
Cooling power	7 kBtu/hour
Power input / Cooling input	830 W / 780 W
Current consumption	3.9 A
EER cooling factor	2.6 (A)
Dehumidification capacity	0.81 / hour
Capacity of the built-in condensate tank	0.4 l
Refrigerant type and weight	R290/170 g
Air flow volume	225 / 200 m ³ /h (high/low setting)
Noise level	64 dB (A) (high setting)
Maximum permitted value of excess operating pressure: Suction / exhaust part of the cooling circuit	1.2 / 2.3 MPa
Dimensions of the portable air conditioner (w x d x h)	320 x 670 x 320 mm
Weight	24.5 kg (net)
Operation temperature (cooling)	18 – 32 °C.
Recommended room area (Central Europe) *	21 – 26 m ²
Recommended room size (Central Europe) *	54 – 67 m ³

*It is a conversion of the value to the climatic conditions typical for the Central Europe, for common room with a ceiling of a standard height. The stated values may differ in case of use in the divided rooms, rooms with multiple heat sources, richly glass or / and poorly insulated rooms. If you know you are purchasing the portable air conditioner for a room with the above-mentioned features, choose a model with higher power for the given area.

The declared noise emission level of the appliance is 64 dB(A), which represents a level A of sound power with respect to a reference sound power of 1 pW.



Note:

The efficiency of the portable air conditioner may be reduced in the event that it is used outside the above-mentioned operating temperature range.

We reserve the right to change text and technical specifications.



DISPOSAL OF USED BATTERIES

Batteries contain environmentally damaging compounds and, therefore, do not belong in standard communal waste. Hand over used batteries for proper disposal at locations intended for their collection.

INSTRUCTIONS AND INFORMATION REGARDING THE DISPOSAL OF USED PACKAGING MATERIALS

Dispose of used packaging material at a site designated for waste in your municipality.

DISPOSAL OF USED ELECTRICAL AND ELECTRONIC EQUIPMENT



This symbol on products or original documents means that used electric or electronic products must not be added to ordinary municipal waste. For proper disposal, renewal and recycling hand over these appliances to determined collection points. Alternatively, in some European Union states or other European countries you may return your appliances to the local retailer when buying an equivalent new appliance.

Correct disposal of this product helps save valuable natural resources and prevents potential negative effects on the environment and human health, which could result from improper waste disposal. Ask your local authorities or collection facility for more details.

In accordance with national regulations penalties may be imposed for the incorrect disposal of this type of waste.

For business entities in European Union states

If you want to dispose of electric or electronic appliances, ask your retailer or supplier for the necessary information.

Disposal in other countries outside the European Union.

This symbol is valid in the European Union. If you wish to dispose of this product, request the necessary information about the correct disposal method from the local council or from your retailer.



This product meets all the basic requirements of EU directives related to it.