

3A81hD0S30020

03

LCD display icon

- (A) Battery power level meter
- (B) Weather alert on
- (C) FM stereo indicator
- (D) Auto shut off indicator
- (E) Memory preset
- (F) Time and radio frequency
- (G) AM / PM local time indicator
- (H) AM Frequency Band
- (J) FM Frequency Band
- (I) (WX) Weather Band

The SG-112 is powered by the supplied 850mAh rechargeable lithium-ion battery. Before using the radio for the first time, ensure that the battery is fully charged.

Inserting the supplied rechargeable battery

1. Open the battery compartment on the back of the unit by pushing the battery door following the arrow direction.
2. Insert the supplied rechargeable battery into the space in the compartment. Make sure the battery is inserted with correct polarity as shown in the compartment.

Charging the radio

Please use one of the following methods to charge your radio.

Using the DC IN socket

The radio is powered by the supplied lithium-ion battery, which can be recharged by connecting a USB power source to the radio's DC IN charging socket.

Use a USB power source that supplies 5V / 0.5A to ensure proper charging and prevent battery issues.

Signs that the battery needs recharging include reduced power, audio distortion, stuttering sounds, or a flashing low battery

icon on the display.

To charge the battery:

1. Connect the USB-C end of the supplied charging cable to the USB-C socket on the right-hand side of the radio.
2. Connect the other end of the cable to a USB-A power source, such as a PC, USB charger, or power bank.

When charging starts, a charging animation appears on the display and the charging indicator lights up. When charging is complete, the animation stops and the indicator turns off.

If no rechargeable battery is installed, the charging animation will not appear.

If the radio is turned off and no rechargeable battery is installed, the red charging indicator will flash to indicate that no battery is present.

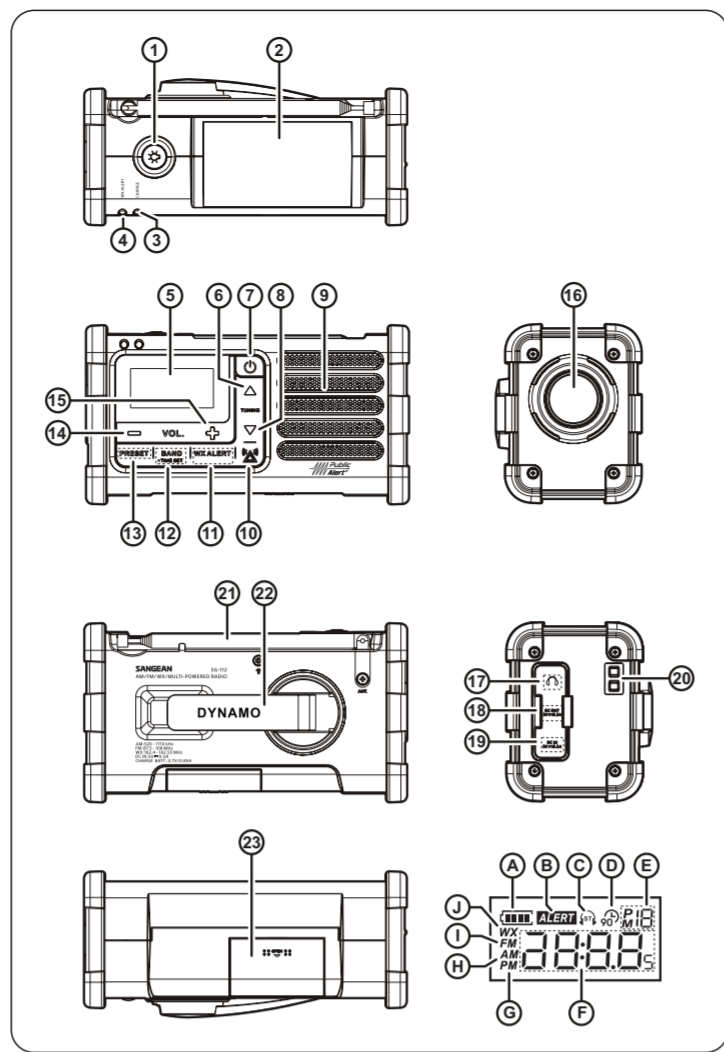
Charging time is approximately 2 hours for a full charge. When fully charged, the radio can play for approximately 10 hours.

Using Dynamo power

1. Make sure the telescopic antenna is in the rest position before rotating the dynamo handle.
2. Take the Dynamo power handle from its rest position.
3. Rotate the Dynamo power handle approximately 120 rotations per minute, either clock-wise or counter-clock wise until the charging LED indicator appears red.
4. Under normal listening conditions, one minute of charging from Dynamo power will allow you to listen to the radio for approx. 5-7 minutes (AM band mode using the speaker at a moderate volume level).
5. Make sure the handle is in its rest position after charging is completed.

Using solar power

Important: The radio does not need to be switched on in order for the solar panel to operate.



04

1. In order to recharge your SG-112 battery using solar power, position the radio so that the solar panel receives direct sunlight. The more direct sunlight that shines on the solar panel, the more electricity it can generate to power the radio.
2. Adjust the position of the radio to achieve maximum brightness of the CHARGE indicator LED.
3. It takes approx.15 hours to fully charge the battery under direct sunlight.

Note: The best performance of the solar panel will be achieved when the sun is directly overhead, and the sunlight is unobstructed by clouds, foliage, curtains etc. In certain situations and poor light conditions, the solar panel may not be effective and should not be relied upon as the primary energy source for standard usage. The solar panel is designed as a supplementary energy source which under suitable light conditions is able to contribute up to 100% of the radio energy requirements.

The solar panel will charge the battery only under natural sunlight. It will not deliver a charge in artificial light.

DO NOT attempt to charge the battery by placing the solar panel directly under any kind of sun-lamp, this will cause irreversible damage to the radio and may damage the casing. (Doing so will void all warranties)

Setting the clock

You can set the clock with either the radio turned on or off.

After the radio is charged, the display will appear with (- : -) Press and hold BAND / TIME SET button until the hour setting begins blinking. Select the hour by pressing Tuning UP / Down button until desired hour is displayed. Press BAND / TIME SET button again to set the minutes. The minute indicator should now be blinking, press the Tuning button UP / DOWN until the desired minutes are displayed. Press BAND / TIME SET button again to complete clock setting. The time should display solidly with the colon blinking periodically.

Manual tuning

Turn the radio on by pressing the Power button; select the desired band by pressing the Band button.

Press Tuning Up / Down button repeatedly until the desired frequency is found.

To Preset stations

1. Turn the radio on and use seek tuning or manual tuning as described above to tune to your desired station.
2. Press and hold the PRESET button for approx. 2 seconds until the display blinks M (Memory) to enter the preset mode.
3. When the M (Memory) display blinks with the previous preset station frequency, press the Tuning UP / Down button to select the

Radio operation

Note: The SG-112 features a 90 minute auto shut off feature.

Turn on the radio, press and hold the power button for approx. 1 / 2 second, the radio will turn on and the 90 minute auto shut off icon will appear on the display indicating the radio will auto shut off after 90 minutes of operation. If you don't require this feature, press and hold the power button a little bit longer until the icon disappears from the display.

Turn off the radio by pressing the Power button for approx. 1 / 2 second until the display shuts OFF. The radio will appear with the clock time in the display.

Tuning the radio - using Seek Tuning, Manual Tuning and Memory preset recall

Seek Tuning

Turn the radio on by pressing the Power button. Select the desired band by pressing the BAND button.

Press and hold the Tuning UP / Down button for approx. 1 / 2 second, the radio will seek for the next active station. Repeat as many times until the desired station is found.

Manual tuning

Turn the radio on by pressing the Power button; select the desired band by pressing the Band button.

Press Tuning Up / Down button repeatedly until the desired frequency is found.

To Preset stations

1. Turn the radio on and use seek tuning or manual tuning as described above to tune to your desired station.
2. Press and hold the PRESET button for approx. 2 seconds until the display blinks M (Memory) to enter the preset mode.
3. When the M (Memory) display blinks with the previous preset station frequency, press the Tuning UP / Down button to select the

01

GB Operating instructions

Important safety instructions

1. Please read these instructions carefully.
2. Please keep these instructions for future reference.
3. Heed all warnings
4. Follow all instructions
5. Do not use this apparatus near water
6. Clean only with dry cloth
7. Do not block any ventilation openings. Install in accordance with the manufacturer's instructions
8. Do not install near any heat sources such as radiators, heat registers, stoves or other apparatus (including amplifiers) that produce heat.
9. Do not defeat the safety purpose of the polarized or grounding-type plug. A polarized plug has two blades with one wider than the other. A grounding type plug has two blades and a third grounding prong. The wide blade or the third prong are provided for your safety. If the provided plug does not fit into your outlet, consult an electrician for replacement of the obsolete outlet.
10. Protect the power cord from being walked on or pinched particularly at plugs, convenience receptacles and the point where they exit from the apparatus.
11. Only use attachments / accessories specified by the manufacturer.
12. Use only with the cart, stand, tripod, bracket or table specified by the manufacturer or sold with the apparatus. When a cart is used, use caution when moving the cart / apparatus combination to avoid injury from tip-over.
13. Unplug this apparatus during lightning storms or when unused for a long period of time.
14. Servicing is required when the apparatus has been damaged in any way, such as power-supply cord or plug is damaged, liquid has been spilled or objects have fallen into the apparatus, the apparatus has been exposed to rain or moisture does not operate normally or has been dropped.

15. Apparatus shall not be exposed to dripping or splashing and no objects filled with liquids, such as vases, shall be placed on the apparatus.
16. To reduce the risk of fire or electric shock, do not expose this apparatus to rain or moisture.
17. **Caution:** Danger of explosion if battery replaced. Replace only with the same or equivalent type.
18. Battery shall not be exposed to excessive heat such as direct sunlight, fire or the like.

CAUTION: To reduce the risk of the electric shock, do not perform any servicing other than that contained in the operating instructions unless you are qualified to do so.

For United States:

FC Cautions to the user

This device complies with Part 15 of the FCC Rules.

Operation is subject to the following two conditions: (1) This device may not cause harmful interference, and (2) this device must accept any interference received, including interference that may cause undesired operation.

The changes or modifications not expressly approved by the party responsible for compliance could void the users authority to operate the equipment.

The equipment has been tested and found to comply with the limits for a Class B Digital Device, pursuant to part 15 of the FCC Rules. These limits are designed to provide reasonable protection against harmful interference in a residential installation. This equipment generates, uses and can radiate radio frequency energy and, if not installed and used in accordance with the instruction, may cause harmful interference to radio communication. However, there is no guaranty that interference will not occur in a particular installation. If this equipment does cause harmful interference to radio or television reception, which can be determined by turning the equipment off and on, the user is encouraged to try to correct the interference by one or more of the following

02

measures:

- Reorient or relocate the receiving antenna.
- Increase the separation between the equipment and receiver.
- Connect the equipment into an outlet on a circuit different from that to which the receiver is connected.
- Consult the dealer or an experienced radio / TV technician for help.

CAUTION: These servicing instructions are for use by qualified service personnel only. To reduce the risk of the electric shock, do not perform any servicing other than that contained in the operating instructions unless you are qualified to do so.

VERY IMPORTANT PLEASE READ

Sangean suggest that you keep your AC Adapter at least 12 inches away from the radio while listening to the AM Band.

Your Sangean Radio is powered by an AC adapter which is a "switching" or "switch-mode" type. The DOE (Department Of Energy) has a Federal mandate; requiring all manufacturers to use this type of power supply. This newer power saving technology has the unfortunate side effect of causing interference to the AM radio band.

Therefore, we recommend that customers keep at least a 1 foot distance between the AC adapter and the radio. This interference will not affect the FM Band. If you have any questions please contact customer service at (888)726-4326, (562)941-9900 or service@sangean.com

If an AC adapter isn't included in this model and if you wish to purchase an AC Adapter separately, please refer to the specifications for the AC Adapter stated on the final page of the manual, or please contact Sangean for the correct AC Adapter and specifications.

To learn more about the DOE mandate please visit http://www1.eere.energy.gov/buildings/appliance_standards/product.aspx/productid/23

Please note not all AC adapters are alike. The AC adapter that is included with this

radio is designed to be used exclusively with this device. Do not use an AC adapter that differs from the specifications on the AC adapter that is included.

If an AC adapter is NOT included with your radio and in order not to damage the unit and void your warranty, specifications for the AC Adapter are stated on the final page of the manual, or please contact Sangean for the correct AC Adapter and specifications. For customers in the US and Canada, please call 562-941-9900 or 888-726-4326. For all other areas, please contact us via contact@sangean.com.

Do not use an AC adapter that does not meet the correct specifications.

Controls

- ① LED Flashlight switch
- ② Solar charging panel
- ③ Charging indicator
- ④ Weather alert indicator
- ⑤ LCD display
- ⑥ Tuning Up
- ⑦ Power button
- ⑧ Tuning Down
- ⑨ Speaker
- ⑩ Emergency siren button
- ⑪ Weather alert set button
- ⑫ Band selection / Time set button
- ⑬ Preset station
- ⑭ Volume Control -down
- ⑮ Volume Control - up
- ⑯ LED Flashlight
- ⑰ 3.5mm headphone socket
- ⑱ DC OUT USB-A charging socket
- ⑲ DC IN USB-C charging socket
- ⑳ Carrying strap holder
- ㉑ Telescopic antenna
- ㉒ Dynamo power hand crank
- ㉓ Battery compartment

06

siren period, the WX ALERT indicator and LED Flashlight will both blink. You can press any button (except Flashlight button) on the radio to stop the alert siren and press the selected weather channel broadcast.

3. The WX ALERT LED will continue to blink for approx. an hour until you press any button (except Flashlight button) to acknowledge the alert message from the WX station.
4. To cancel the WX ALERT setting, simply press and hold WX ALERT button until the display shows OFF.

Emergency Siren

The Emergency Siren will work when either the radio is switched on or off. Simply press and hold Emergency Siren button for 1 second, this will activate the siren until it's switched off by pressing the Emergency Siren button for 1 second or the Power button.

LED Flashlight

Press the Flashlight button to cycle through the following modes:

High → Low → Blinking → SOS (Morse code distress signal: three short flashes, three long flashes, three short flashes) → **Off**.

Press and hold the Flashlight button at any time to turn off the flashlight.

Listening with Headphones

Plug the headphones into the headphone socket for private listening. This will disconnect the external speaker.

Charging USB devices

This radio features a USB-A socket on the right-hand side for charging low-voltage devices using the supplied lithium-ion battery. **To conserve battery power, this function is disabled by default and must be manually enabled before charging external USB**

devices.

Note: The USB-A charging socket supplies a maximum current of 0.3A and may not charge devices that require a higher minimum current.

To charge an external USB device:

1. Ensure that the radio is turned off.
2. Press the **PRESET** button. The display will show "On" and the WX ALERT indicator will flash, indicating that the charging function is enabled.
3. Connect the supplied USB charging cable to begin charging.
4. When charging is complete, press the **PRESET** button again. The display will show "OFF", indicating that the charging function is disabled.

Notes:

- If the charging function is not manually disabled, it will automatically deactivate when the empty battery icon flashes on the display.

• If the radio is turned on while charging a USB device, the charging function will automatically deactivate. To resume charging, turn off the radio and manually re-enable the charging function.

Strap holder

You may attach the supplied carrying strap into the strap holder for easy transport.

Conditional water resistance

This radio is water-resistant, not waterproof. Please ensure that the rubber cover is securely closed over the headphone, USB-A, and USB-C ports when they are not in use.

Supplied accessories

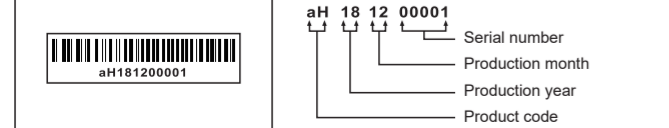
- 3.7V 850mAh rechargeable lithium-ion battery
- USB-A to USB-C charging cable
- Hand strap

07

Specifications

Power Supply	850mAh rechargeable Lithium-ion battery (supplied) x 1 Dynamo-charging to rechargeable Lithium battery Solar panel-charging to rechargeable Lithium battery
Optional Power Supply	AC power adaptor with USB-C connector (not included)
Audio Output	400mW
Frequency Coverage	FM (VHF) 87.50-108 MHz WX (VHF) 162.40-162.55 MHz AM 520-1710 kHz (10kHz tuning step) 522-1710 kHz (9kHz tuning step)
Antenna	Telescopic antenna FM / WX (VHF) Built-in Ferrite rod antenna AM
DC Socket	DC OUT: USB-A 5V / 0.3A (Not compatible with most USB-C charging cables due to low output current.) DC IN: USB-C 5V / 0.5A
Headphone Jack	3.5 mm in diameter, Stereo, 32 ohm Impedance
Dimension	152 x 85 x 69 mm (WX+XD)
Weight	400g (excluding battery)
Operating Temperature Range	0°C to 40°C

※ The barcode label on the product is defined as below:



Sangean reserves the right to amend the specifications without notice.

RECYCLING This product bears the selective sorting symbol for Waste electrical and electronic equipment (WEEE). This means that this product must be handled pursuant to European directive 2012/19/EU in order to be recycled or dismantled to minimize its impact on the environment.

08

F Mode d'emploi

Instructions importantes sur la sécurité

1. Lisez ces instructions.
2. Conservez ces instructions.
3. Tenez compte de toutes les mises en garde.
4. Suivez toutes les instructions.
5. N'utilisez pas cet appareil à proximité de l'eau.
6. Ne nettoyez qu'à l'aide d'un linge sec.
7. N'obstruez aucune voie de ventilation. Installez conformément aux instructions du fabricant.
8. N'installez pas à proximité de sources de chaleur telles que radiateurs, registre de chaleur, poêle ou autres appareils (y compris les amplificateurs) qui produisent de la chaleur.
9. Ne sous-estimez pas l'importance en termes de sécurité des prises polarisées ou de type terre. Une prise polarisée a deux fiches dont l'une est plus large que l'autre. Une prise de type terre a deux fiches plus une fiche supplémentaire de raccord à la terre. La fiche large ou le raccord à la terre sont conçus pour votre sécurité. Si la prise fournie ne s'adapte pas à votre installation, consultez un électricien pour le remplacement de votre installation obsolète.
10. Protégez le cordon d'alimentation contre les piétements ou les pincements, particulièrement au niveau des branchements, prises de courant, et du point d'où il sort de l'appareil.
11. N'utilisez que les extensions / accessoires spécifiés par le fabricant.
12. N'utilisez qu'avec un chariot, support, trépied, crochet ou table spécifié par le fabricant, ou vendu avec l'appareil. Lorsque vous utilisez un chariot, soyez attentif lorsque vous déplacez la combinaison chariot / appareil pour éviter les blessures dues au renversement.
13. Débranchez cet appareil lors des orages ou lorsqu'il est inutilisé pendant une longue période.

14. La réparation est nécessaire lorsque l'appareil a été endommagé de quelque sorte, par exemple si le cordon d'alimentation ou la prise sont endommagés, si du liquide a été répandu ou si des objets sont tombés dans l'appareil, si ce dernier a été exposé aux moisissures ou à la pluie, s'il ne fonctionne pas normalement, ou qu'il a chuté.

15. L'appareil ne doit pas être exposé aux gouttes ou aux éclaboussures et les objets remplis de liquides, tels que des vases, ne doivent pas être placés près de l'appareil.

16. Pour réduire le risque d'incendie ou de choc électrique, n'exposez pas cet appareil à la pluie ou l'humidité.

17. **Attention:** Danger d'explosion si les piles de chaleur ne sont pas correctement remplacées. Remplacez seulement avec les mêmes ou un type équivalent.

18. Les batteries ne doivent pas être exposées à des chaleurs excessives telles que la lumière du soleil, le feu ou autres.

ATTENTION: Pour réduire le risque de choc électrique, ne procédez à aucune réparation autre que celles détaillées dans ces instructions d'utilisation à moins que vous ne disposiez des qualifications.

For the États-Unis:

FC Précautions pour l'utilisateur

Cet appareil est conforme à la partie 15 des règles de la FCC.

Son fonctionnement est soumis aux deux conditions suivantes : (1) cet appareil ne doit pas provoquer d'interférences nuisibles, et (2) il doit accepter toute interférence reçue, y compris les interférences pouvant entraîner un mauvais fonctionnement.

Des changements ou des modifications sur ce produit non expressément approuvés par la partie responsable de la conformité peut annuler le droit de l'utilisateur d'utiliser cet équipement.

Cet équipement a été testé et approuvé conformément aux limites des appareils numériques de classe B, conformément à la partie 15 des

05

desired memory position as shown on the display.

4. Press the PRESET button again to complete the memory setting, the display will appear with a P (preset) and the chosen preset position. After the P and preset position disappear from the display, you may then press the Tuning UP / Down button again to tune to next desired station.
5. This radio features a total of 19 preset memories in random selection for AM / FM

Recall stations

1. Turn on the radio, press the PRESET button to enter the preset mode, the display will show your last preset station position.
2. Press the Tuning UP / Down button to select your desired preset station.
3. Press and release the PRESET button to skip preset mode, the P (preset) and preset position will disappear. You may then press the Tuning UP / Down button to tune to the next desired station.

Telescopic Antenna

The telescopic antenna is used for the FM and Weather Band reception. Extend fully and rotate for the best FM and Weather Band reception. There is a built-in directional bar antenna for the AM band reception. To achieve the best AM reception, it may be necessary to move the radio to achieve proper reception.

Volume Control

Press the Volume Control (+ / -) to adjust the desired level of sound.

Changing the AM / FM tuning step

In Europe and other parts of the world the AM tuning step is 9 kHz, in North America the AM tuning step is 10 kHz. FM tuning steps also vary from country to country. To change the AM / FM tuning step, proceed as follows.

1. When the radio is turned OFF, press and hold the PRESET button for approx. 2 seconds, the display will first show software version (e.g. P01) then blink the FM tuning step 100

09

(kHz). During the blinking, press Tuning UP / DOWN to cycle through 100 and 50 (kHz) tuning step. Press PRESET button again to choose your desired FM tuning step.

2. The display will then blink the AM tuning step 10 (kHz), press Tuning UP / DOWN button to cycle through 10 and 9 (kHz). Press the PRESET button again to choose your desired AM tuning step.

3. The radio will default to clock mode (radio off) after re-setting tuning step.

Note: Re-setting the AM tuning step will erase all the preset AM stations.

Note: Re-setting the FM tuning step will not erase preset FM stations.

Weather Band and weather alert operation

Listening to the Weather Band

1. Turn on the radio and press the BAND button to cycle through AM / FM / WX (Weather Band).
2. When the radio is in the WX (Weather Band) mode, press the Tuning UP / Down button to select desired Weather Band channel.

Programming the Weather Alert function

1. Turn the radio on.
2. Tune to the strongest Weather channel station.
3. Proceed to activate the Weather Alert function.

Activating the Weather Alert

You can set the Weather Alert when the radio is switched on or off.

1. Press and hold WX ALERT button until the display shows WX ALERT
2. After the WX ALERT is broadcast the alert siren will be activated for 15 seconds then play the selected weather channel broadcast automatically. During the 15 second alert

