

# Karran<sup>®</sup>

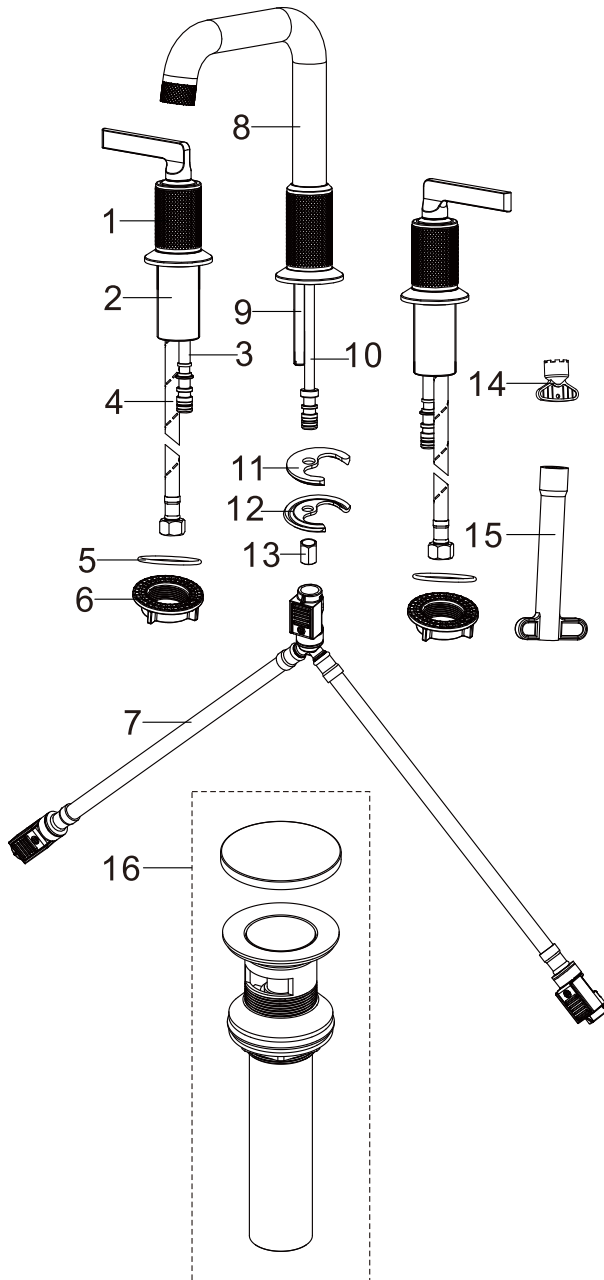
## INSTALLATION GUIDE



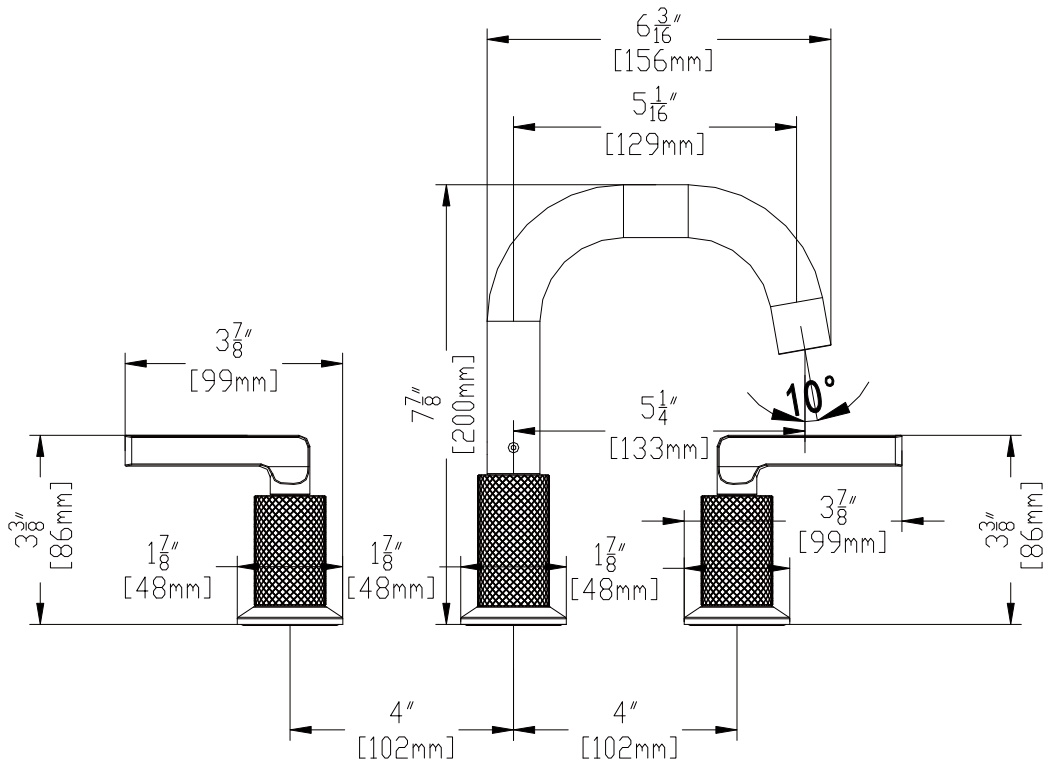
## Gillingham

**Models:** KBF534GG KBF534C  
KBF534MB KBF534SS  
KBF534G





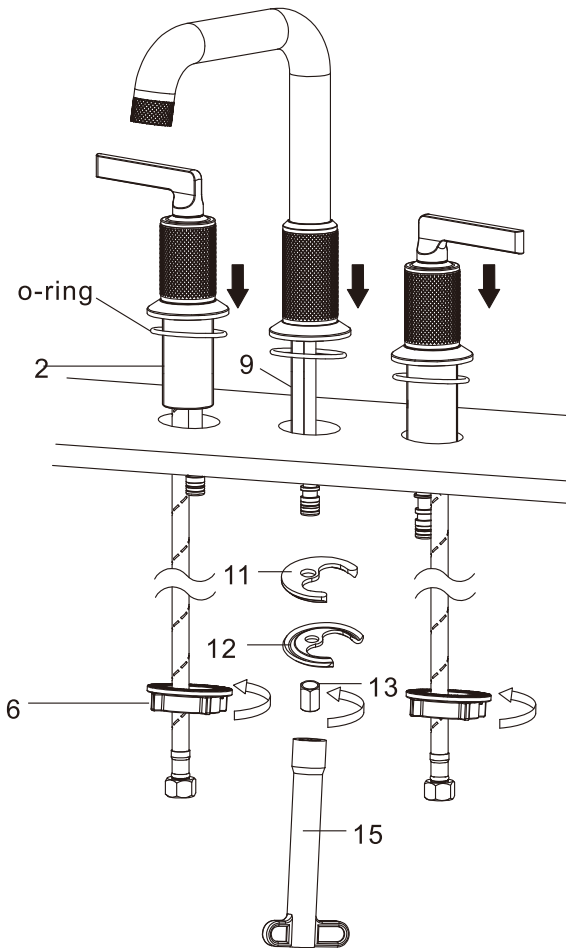
1	Handle
2	Threaded Sleeve
3	Adapter
4	Supply Line
5	O-ring
6	Lock Nut
7	Quick Connect Hose
8	Spout
9	Screw
10	Outlet
11	Rubber Washer
12	Clamp
13	Nut
14	Aerator Wrench
15	Nut Socket Wrench
16	Drain



# INSTALLATION GUIDE

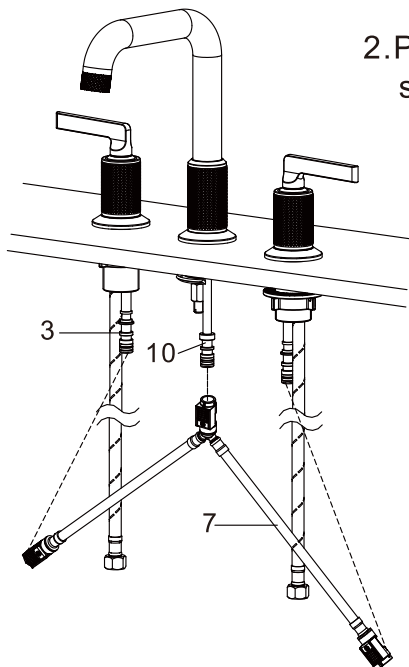
## STEP 1

1. Position the faucet in order on the counter top as shown. Don't forget the O-ring. Assemble gasket assembly (#11 & #12) and tighten the nut (#13) with nut socket wrench (#15). Screw the locking lock nut (#6) to handle threaded sleeve (#2) by hand.



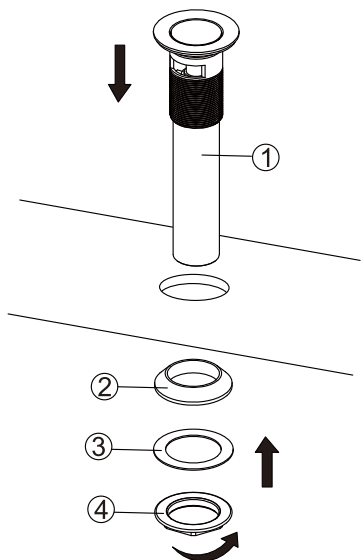
# INSTALLATION GUIDE

## STEP 2



2. Position the quick connect hose (#7) as shown and fix it to the faucet as shown.

## STEP 3

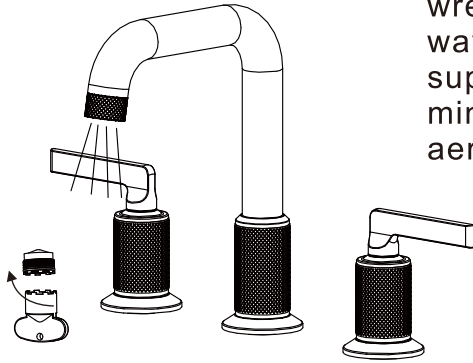


3. From the top of the drain hole, place the drain ① through the installation hole. From under the drain hole, install the thick washer ②, washer ③ and nut ④ by hand twisting on to the tail pipe of the drain. Then, install the tail pipe to the wall plumbing. Use of plumbers putty or silicone is recommended to seal drain ① to top side of bowl.

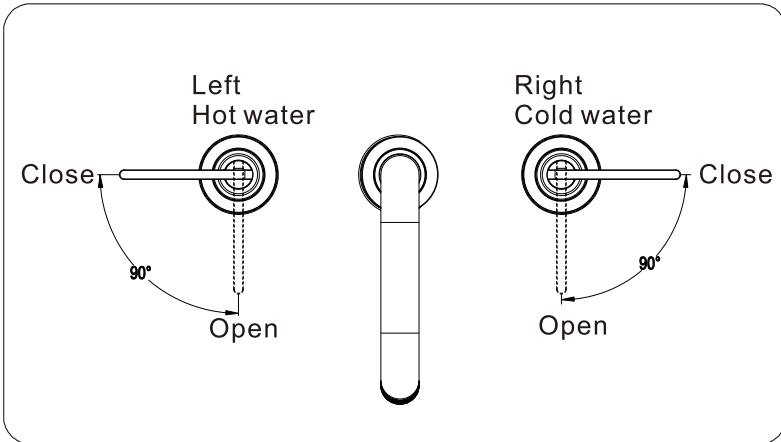
# INSTALLATION GUIDE

## STEP 4

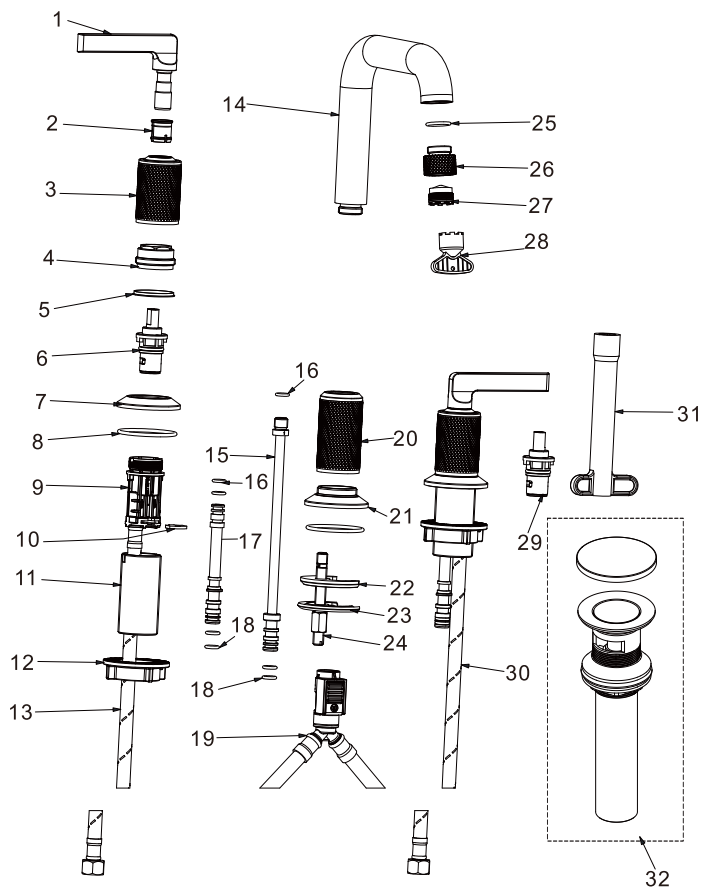
4. Remove the aerator with an aerator wrench. Turn the faucet handle all the way on, turn on the hot and cold water supply and flush water lines for one minute. Reinstall the aerator with an aerator wrench.



How to operate the handle:



# REPLACEMENT PARTS



No.	Description	Finish/Color	Item No.
1	Handle	GG, C, MB SS, G	50P00JB32
2	Wearing Ring		5SJ188159
3	Handel Hub	GG, C, MB SS, G	51P1B8316
4	Cartridge Locknut		5YG188316
5	Wearing Ring		8SJ12352
6	Cartridge		K00018260MZ00
7	Base	GG, C, MB SS, G	52P1B8316
8	O-ring		8J45X25A
9	Cartridge Seat		52T1BF69
10	Clip		53T1BF69
11	Threaded Sleeve		54T1BF69
12	Lock Nut		5NM1BF69
13	Supply Line		G1BF69DQSR00
14	Spout	GG, C, MB SS, G	52P1B8316
15	Outlet		5JG1B8316DQ
16	O-ring		8J106X18A
17	Adapter		4JT1BF69
18	O-ring		8J11X2A
19	Quick Connect Hose		4JG1B8316
20	Spout Hub	GG, C, MB SS, G	5ZZ1B8316
21	Base	GG, C, MB SS, G	5DZ1B8316
22	Rubber Washer		81N11071K
23	Clamp		80N11071K1
24	Screw		8BM8X070B
25	O-ring		8J19X2A
26	Aerator Collar	GG, C, MB SS, G	51M1B8316DQ
27	Aerator		81M18523NP7
28	Aerator Wrench		80P00023
29	Cartridge		K00018262MZ00
30	Supply Line		G1BF69DQSR01
31	Nut Socket Wrench		81T16000
32	Drain		C21026

\*Denotes faucet component color options:

- GG - Gunmetal Grey
- C - Chrome
- MB - Matte Black
- SS - Stainless Steel
- G - Gold