

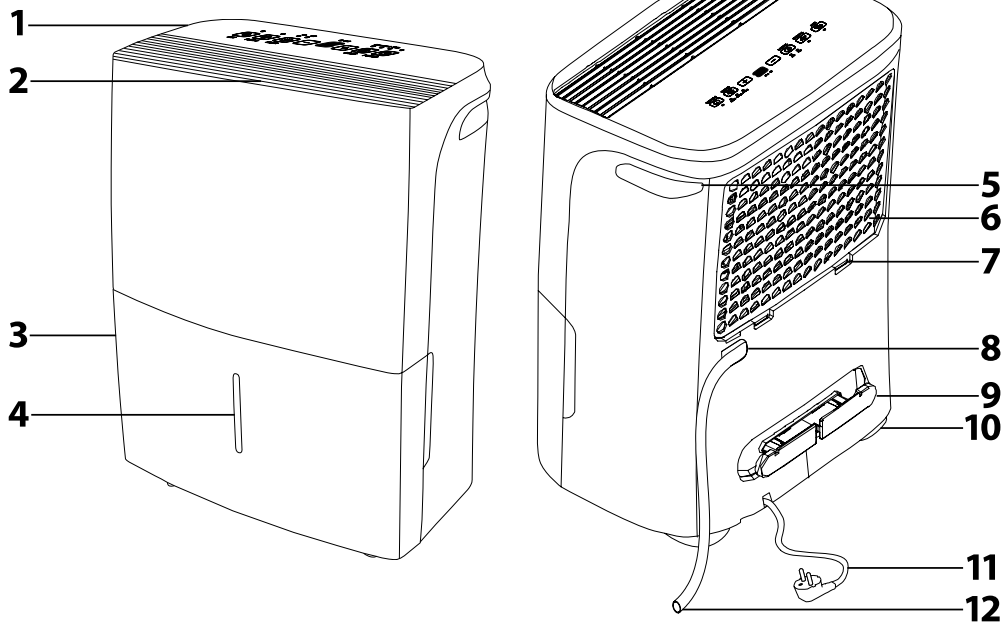
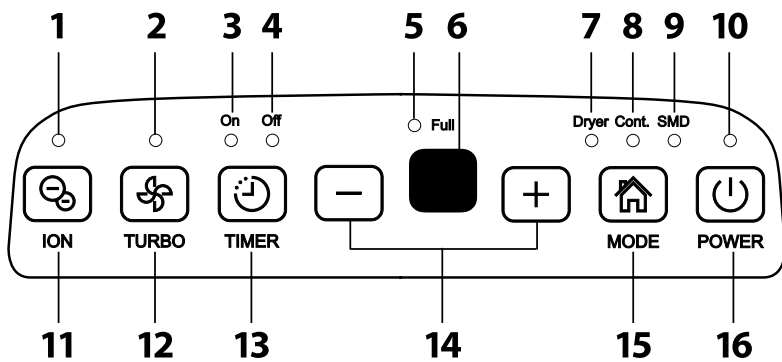


EN ■ Portable Dehumidifier

READ CAREFULLY AND STORE FOR FUTURE USE.

- This appliance may be used by children 8 years of age and older and by persons with physical or mental impairments or by inexperienced persons, if they are properly supervised or have been informed about how to use the product in a safe manner and understand the potential dangers. Children must not play with the appliance. Cleaning and maintenance performed by the user must not be performed by unsupervised children.
- The appliance is designed for use at home, in the office and similar types of areas. It is not intended for commercial purposes.
- Do not use the appliance in rooms where flammable chemicals or explosives are stored, in industrial environments or outdoors.
- Do not place the appliance in the vicinity of an open flame or appliances that are sources of heat.
- Always install the appliance on an even, dry and stable surface so that it does not fall over.
- Do not store any item on top of the appliance.
- Before connecting the appliance to a power socket, check that the nominal voltage on its rating label matches the voltage in the power socket.
- Connect the appliance only to a properly grounded power socket. Do not use an extension cord or a multi-socket adapter. If necessary, an extension cord with a power rating appropriate for this appliance may be used.
- The power socket to which the appliance is connected must be freely accessible so that it is possible to quickly disconnect the power cord from the power source if necessary.
- If the appliance is equipped with travel wheels, pay increased attention when handling it so that it does not fall down stairs or travel down from sloped areas. To prevent the appliance from falling over, do not attempt to travel over carpet with the travel wheels.
- Do not touch the appliance with wet hands when it is connected to a power socket.
- Do not use the appliance in the vicinity of a shower, pool, etc., do not spray it with water or any other liquid or submerge it in water or any another liquid.
- Do not cover or insert anything into the air inlet or outlet openings. Otherwise, this could damage the appliance.

- In the event that you use the appliance to dry damp laundry, place the laundry in the vicinity of the appliance, however, not closer than 50 cm, and in such a way that the air is blown at it from the air exhaust vents. Never place laundry directly on the appliance or in such a way that water would drip from it on to the appliance. Wet laundry first needs to be properly wrung dry (or spin-dried), otherwise it may not dry.
- During operation there needs to be sufficient space for air circulation as specified in more detail in chapter Installation location of the appliance.
- To turn the appliance on or off, always use the appropriate buttons on the control panel. Do not turn off the appliance by disconnecting the power cord from the power socket.
- Do not use the appliance without a properly installed air filter and condensate tank.
- Do not remove the condensate tank while the appliance is running.
- Always turn off the appliance and disconnect it from the power socket before assembling or disassembling it, when not using it and before moving or cleaning it.
- To avoid damaging the compressor, move, store and transport the appliance in an upright position.
- Do not attempt to remove the outer case of the appliance.
- Disconnect the appliance from the power socket by pulling on the plug, never pulling on the power cord. Otherwise, this could damage the power cord or the socket.
- If the power cord is damaged, it must be replaced by an authorised service centre or by another similarly qualified person, this will prevent the creation of a dangerous situation. It is forbidden to use the appliance if it has a damaged power cord.
- Do not use the appliance if it is not working correctly, if it has been damaged or has been submerged in water. To avoid the danger of injury by electrical shock, do not repair the appliance yourself or make any adjustments to it. Have all repairs of the appliance performed at an authorised service centre. By tampering with the appliance, you risk voiding your legal rights arising from unsatisfactory performance or quality warranty.

A**B**

Portable Dehumidifier

User's manual

- Prior to using this appliance, please read the user's manual thoroughly, even in cases, when one has already familiarised themselves with previous use of similar types of appliances. Only use the appliance in the manner described in this user's manual. Keep this user's manual in a safe place where it can be easily retrieved for future use.
- We recommend saving the original cardboard box, packaging material, purchase receipt and responsibility statement of the vendor or warranty card for at least the duration of the legal liability for unsatisfactory performance or quality. In the event of transportation, we recommend that you pack the appliance in the original box from the manufacturer.

DESCRIPTION OF THE APPLIANCE

- | | |
|---|--------------------------------------|
| A1 Control panel with an LED display | A7 Washable air filter |
| A2 Air outlet grill | is installed behind the grill. |
| A3 3-litre removable condensate tank | A8 Drain hose connection hole |
| A4 Water tank level indicator | is fitted with a rubber plug. |
| A5 Integrated handle | A9 Power cord storage holder |
| it is located on both sides of the appliance. | A10 Travel wheels |
| A6 Air inlet grill | A11 Power cord |
| | A12 Condensate drain hose |

DESCRIPTION OF THE CONTROL PANEL

- | | |
|--|--|
| B1 Ionisation function setting indicator | B11 ION button |
| B2 High fan speed setting indicator | turn the Ionisation function on and off |
| B3 Automatic start timer setting indicator | B12 TURBO button |
| B4 Automatic shut-off timer setting indicator | it is used to set normal or high fan speed. |
| B5 Full condensate tank indicator | B13 TIMER button |
| it is lit when the tank needs to be emptied | it is used to set the automatic shut-off and start |
| or when the tank is not installed in its place | timer. It is used in combination with buttons B14 , |
| or when it is installed incorrectly. | B14 ± button |
| B6 LED display | it is used to set humidity in the range 35 to |
| shows the humidity setting in %, automatic | 85 % RH (relative humidity). |
| start and shut-off times, current humidity in | In combination with button B13 it is used to |
| the room in % (±5 %), error messages AS, ES, | set the time of the automatic shut-off and start |
| EC, E3 or messages P1 or P2. | in the range from 0 to 24 hours. |
| B7 Laundry drying operating mode setting | B15 MODE button |
| indicator | it is used to set the modes: normal |
| B8 Continuous dehumidification operating mode | dehumidification, laundry drying, continuous |
| indicator | dehumidification or SMART mode (intelligent |
| B9 SMART operating mode setting indicator | room humidity control). |
| (intelligent humidity control in the room) | B16 POWER button |
| B10 Appliance On indicator | it is used to turn the appliance on and off. |

INSTALLATION LOCATION OF THE APPLIANCE

- Locate the appliance on an even, dry and stable surface within reach of a properly grounded power socket.
- To ensure sufficient air circulation, leave a clearance of at least 30 cm on all the sides of the appliance and 50 cm above it.
- Do not use the appliance in the vicinity of a heater or another source of heat.
- When drying damp laundry, place the laundry in the vicinity of the appliance; however, not closer than 50 cm, and in such a way that the air is blown at it from the exhaust vents **A2**. Never place laundry directly on the appliance or in such a way that water would drip from it on to the appliance.
- This appliance is designed for dehumidifying rooms with an area of 37 to 52 m².

OPERATING THE APPLIANCE

- The dehumidifier is used for drying out, for example, flooded basements, rooms with an increased level of moisture, etc., or for drying damp laundry. Do not use it in areas where substances or items are stored requiring precise temperature and humidity control.
- Use the appliance at an ambient temperature of 5 to 35 °C (41 to 95 °F). Do not use it at a temperature lower than 5 °C (41 °F). Otherwise, a frost layer may form on the vaporizer. This could affect the operation of the appliance.
- To achieve optimal effectiveness, close all the windows and doors in the room where the appliance is used. If necessary, allow the room to ventilate for a short time.
- Make sure that the appliance is installed in a suitable place and that it is correctly assembled. Then connect it to a power socket.

1. TURNING ON AND OFF

- To turn the appliance on and off, use button **B16**. When turned on for the first time, allow the dehumidifier to run for at least 24 hours.
- The appliance will turn off automatically when the required room humidity is reached, when the water tank **A3** is full or removed, or when the tank **A3** is incorrectly installed.
- If you turn the appliance off and then on again within a short time period, the appliance will start again within approximately 3 minutes. This function protects the compressor from damage.
- The appliance is equipped with an AUTO-RESTART function for the event of a power outage. This means that the settings are stored in the memory of the appliance and once power is restored, the appliance will automatically start again in the mode in which it was previously set.
- Always turn off the appliance and disconnect it from the power socket when you have finished using it.

2. SETTING AN OPERATING MODE

- The MODE button **B15** is used to set the modes: normal dehumidification, laundry drying, continuous dehumidification or SMART mode (intelligent room humidity control).
- In the normal dehumidification mode, the desired humidity and fan speed can be set.
- In the laundry drying mode, the fan speed is preset to high and the humidity level is automatically controlled according to the current room humidity. The activation of this mode is shown by indicator **B7**. This mode will automatically stop after 10 hours of operation.
- In the continuous dehumidification mode, the appliance runs until the condensate tank **A3** is completely full. In this mode it is not possible to set the desired moisture. The activation of this mode is shown by indicator **B8**.
- In the SMART mode, room humidity is controlled automatically in the range from 45 to 55 % RH (relative humidity) depending on the current room temperature. In this mode it is not possible to set the desired moisture. The activation of this mode is shown by indicator **B9**.

3. SETTING THE HUMIDITY

- Buttons **B14** can be used to set the required humidity in the range 35 to 85 % RH (relative humidity). Each time the button is pressed, the setting will change by 5 %. The set humidity will be shown on the display **B6**.

4. SETTING THE FAN SPEED

- The TURBO button **B12** is used to set the fan speed. For maximum dehumidification speed, set the fan to the high speed. When quiet operation is preferred or when the humidity declines, set the normal fan speed.
- The high fan speed setting is shown by indicator **B2** being lit.

5. SETTING THE AUTOMATIC START AND SHUT OFF TIMER

- When the appliance is turned on, press the TIMER button **B13** once to activate the automatic shut-off timer function. Indicator **B4** will be lit. Press button **B13** again to activate the automatic start function. Indicator **B3** will be lit.
- When the appliance is turned off, press the TIMER button **B13** once to activate the automatic start timer function. Indicator **B3** will be lit. Press button **B13** again to activate the automatic shut-off timer function. Indicator **B4** will be lit.



Note:

The automatic start and shut-off timer functions can be combined.

- Use buttons **B14** to set the automatic shut-off or start time, i.e. times when the appliance will automatically shut off or start. The set time will change in 0.5-hour intervals. After reaching 10 hours, the set time will change in one-hour intervals. Holding down the buttons will speed up the setting process.
- The set time is saved to memory within 5 seconds and the display **B6** returns to the humidity display mode.
- Turning the appliance on or off, or setting the time to zero will cancel the automatic timer function. The timer is also cancelled when the text P2 appears on the display **B6**.

6. SETTING THE IONISATION FUNCTION

- The ION button **B11** is used to turn the ionisation function on and off; it adds negatively charged ions to the air and creates the fresh after-rain air effect. The ionisation function setting is indicated by the LED indicator **B1**.

7. AUTO-DEFROST FUNCTION

- The appliance is equipped with an AUTO-DEFROST function. This means that when a frost layer forms on the vaporizer, the compressor will stop to prevent its damage. The fan will continue to run until the frost layer melts away.
- The auto-defrost process is indicated by message P1 being lit on display **B6**. The end of the process is indicated by this message turning off.

DRAINING CONDENSATE

- For draining condensate, either the tank **A3** or the drain hose **A12** may be used.

1. DRAINING CONDENSATE INTO THE TANK

- Before turning on the appliance, check that the outlet **A8** is closed using the plug.
- During operation, condensate will accumulate in the tank **A3**. As soon as it fills up, the appliance will make a sound and then turn off automatically. Indicator **B5** will start flashing and the text P2 will appear on the display **B6**. Carefully slide out the tank **A3** and empty it out. The bottom of the tank **A3** is not level, therefore do not stand it on the floor when it is filled with condensate. Otherwise, this could result in the tank **A3** tipping over. After emptying the tank **A3**, put it back in its place. The appliance will automatically resume operation.
- When the tank **A3** is filled with water and the appliance is turned off in the stand-by mode, the indicator **B5** will flash and message P2 will be shown on the display **B6**.



Note:

When removing the tank **A3**, proceed carefully so as not to drop it and not to damage the internal parts of the dehumidifier. Carefully dry any water that appears in the tank **A3** storage area using a cloth.

2. CONTINUOUS CONDENSATE DRAINING VIA THE DRAIN HOSE

- For continuous condensate draining, remove the rubber plug from the outlet **A8**. Carefully store the plug for future use.
- Attach the included drain hose **A12** (diameter 13.5 mm) to the outlet **A8**. Check that the hose **A12** is firmly connected to the outlet **A8** so that condensate does not leak out in the joint.
- Locate the free end of the hose **A12** so that the condensate can flow out freely. The container or place where the condensate is drained must be lower than the outlet **A8**. Do not bend or twist the hose **A12**.
- When you have finished using it, remove the hose **A12** and close the outlet **A8** using the plug.

TROUBLESHOOTING TABLE

PROBLEM / ERROR MESSAGE	POSSIBLE CAUSE	SOLUTION
The dehumidifier will not start.	It is not connected to a power socket. The set humidity level has been reached.	Connect the power cord to a power socket. The dehumidifier always turns off automatically when the set heating level is reached.
The performance of the dehumidifier appears to be insufficient.	The tank A3 is full or is not installed correctly or inserted in its place. The dehumidifier has not been running long enough. The air inlet or outlet grill A6 and A2 is blocked by curtains, drapes or other items. A lower humidity level must be set. There are open windows or doors in the room. The temperature in the room is too low (lower than 5 °C). There is a source in the room that is creating humidity.	Empty the tank A3 and properly install it back in its place. Leave the dehumidifier running for a longer time. Remove obstacles preventing air circulation. Set a lower humidity level. Close the doors and windows in the room. Place the dehumidifier in a room with an air temperature in the range from 5 to 35 °C (41 to 95 °F). Remove the source of humidity.
Water appeared on the floor.	Water is leaking in the location of the drain hose A12 . A plug is not fitted into the outlet A8 .	Seal the joint at the point where the drain hose A12 is connected. When using the condensate tank A3 , the plug must be fitted into the outlet A8 .
A noise can be heard while the dehumidifier is running.	The air filter A7 is clogged. The dehumidifier is tilted or not installed on an even surface.	Clean it out according to the instructions in chapter Cleaning and maintenance. Locate it in vertical position on an even surface.
A layer of frost has appeared on the vaporizer.	The temperature in the room is too low (lower than 5 °C).	Place the dehumidifier in a room with an air temperature in the range from 5 to 35 °C (41 to 95 °F). The dehumidifier is equipped with an automatic defrost function that removes the layer of frost from the vaporizer.
The display B6 shows error message AS, ES, E3 or EC.	Humidity sensor error (AS) or temperature sensor error (ES), operation error (E3) or coolant leakage (EC).	Disconnect the dehumidifier from the power socket and then reconnect it. Try starting it again. If the error continues to be shown, please contact an authorised service centre

CLEANING AND MAINTENANCE

- Before cleaning the appliance, always turn it off and disconnect it from the power socket.

CLEANING THE CONDENSATE TANK

- Empty out the condensate tank **A3** whenever you finish using the appliance.
- To prevent undesirable bacteria, micro-organism or moulds from multiplying inside the tank **A3**, clean it out at least once per month using a cloth dampened in lukewarm water with the addition of neutral detergent. Then rinse it out thoroughly using clean water, dry it out using a clean cloth and insert it back into the appliance.
- Do not wash the tank **A3** in a dishwasher.

CLEANING THE AIR FILTER

- The air filter **A7** should be cleaned regularly, at least two times per month or more frequently depending on how frequently the appliance is used.
- Release the latches on the rear grill **A6** and take it out of the appliance. Take the filter **A7** out of the area underneath the grill **A6** and wash it in warm water with neutral detergent. Then thoroughly rinse it under clean running water, allow it to dry naturally, install it back in its place and reattach the rear grill **A6**. Make sure that the filter **A7** is completely dry before installation.
- Do not use the appliance without the filter **A7** being properly installed. Do not wash the filter **A7** in a dishwasher.

CLEANING THE OUTER CASE AND AIR INLET AND OUTLET GRILLS

- To clean the grills **A2** and **A6** and the outer case, use a textile lightly dampened in lukewarm water with an addition of neutral detergent. Make sure that water does not enter into the ventilation holes. In the event that the grill **A2** and **A6** are only dusty, a vacuum cleaner may be used to clean them.
- Do not submerge the appliance or its power cord in water or any other liquids.
- Do not use solvents, cleaning products with an abrasive effect, etc. to clean the appliance. Otherwise the surface coat of the appliance may be damaged.

STORAGE

- When not using the dehumidifier for an extended period of time, clean it according to the instructions in chapter Cleaning and maintenance. Thoroughly clean out the tank **A3** no sooner than 24 hours after its last use. During this time, a small amount of condensate could continue to accumulate inside the tank **A3**.
- The holder **A9** in the rear of the appliance may be used for storing the power cord **A11**.
- Store the dehumidifier in a clean, dry place, out of the reach of children.

TECHNICAL SPECIFICATIONS

Power supply.....	220–240 V~, 50 Hz
Dehumidification capacity.....	20/24 h
Rated power input.....	440 W
Rated current.....	2.1 A
EEV energy factor.....	1.31/kWh
Starting current.....	13.5 A
Fuse type and current value.....	T3.15 A
Condensate tank capacity.....	3l
Coolant type and weight.....	R134A/120 g
GWP (Global Warming Potential).....	1 430
CO ₂ Equivalent.....	0.17 tonnes
Air flow volume (high/normal fan speed).....	170/150 m ³ /h
Noise level (high/normal fan speed).....	48/45 dB(A)
Dimensions of the dehumidifier (w x d x h).....	350 x 245 x 510 mm
Dimensions of the packaging (w x d x h).....	380 x 298 x 527 mm
Weight net/gross.....	14.4/15.6 kg
Operating temperature.....	5–35 °C
Recommended room area.....	37–52 m ²

The declared noise emission level of the appliance is 48 dB(A), which represents a level A of acoustic power with respect to a reference acoustic power of 1 pW.

We reserve the right to change text and technical specifications.

INSTRUCTIONS AND INFORMATION REGARDING THE DISPOSAL OF USED PACKAGING MATERIALS

Dispose of used packaging material at a site designated for waste in your municipality.

DISPOSAL OF USED ELECTRICAL AND ELECTRONIC EQUIPMENT

 This symbol on products or original documents means that used electric or electronic products must not be added to ordinary municipal waste. For proper disposal, renewal and recycling hand over these appliances to determined collection points. Alternatively, in some European Union states or other European countries you may return your appliances to the local retailer when buying an equivalent new appliance.

Correct disposal of this product helps save valuable natural resources and prevents potential negative effects on the environment and human health, which could result from improper waste disposal. Ask your local authorities or collection facility for more details.

In accordance with national regulations penalties may be imposed for the incorrect disposal of this type of waste.

For business entities in European Union states

If you want to dispose of electric or electronic appliances, ask your retailer or supplier for the necessary information.

Disposal in other countries outside the European Union

This symbol is valid in the European Union. If you wish to dispose of this product, request the necessary information about the correct disposal method from the local council or from your retailer.



This product meets all the basic requirements of EU directives related to it.