

VEVOR[®]

TOUGH TOOLS, HALF PRICE

Technical Support and E-Warranty Certificate www.vevor.com/support

Mounted Cat Shelf Installation Instructions

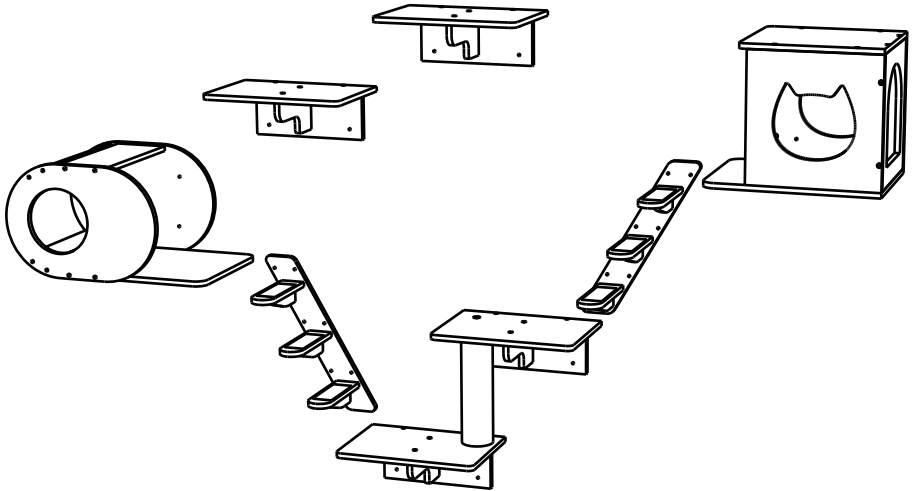
We continue to be committed to provide you tools with competitive price. "Save Half", "Half Price" or any other similar expressions used by us only represents an estimate of savings you might benefit from buying certain tools with us compared to the major top brands and does not necessarily mean to cover all categories of tools offered by us. You are kindly reminded to verify carefully when you are placing an order with us if you are actually saving half in comparison with the top major brands.

VEVOR[®]

TOUGH TOOLS, HALF PRICE

Mounted Cat Shelf

Model: SSGQK-04



NEED HELP? CONTACT US!

Have product questions? Need technical support? Please feel free to contact us:

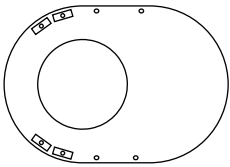
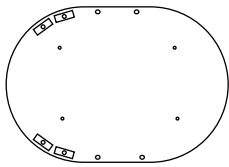



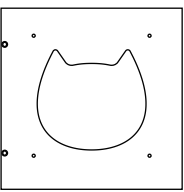
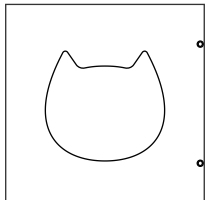
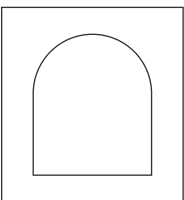
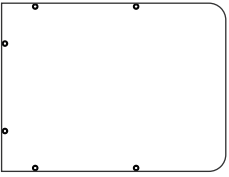
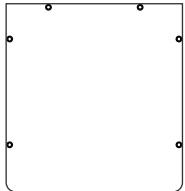
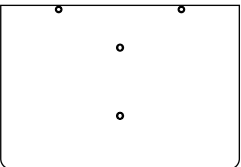
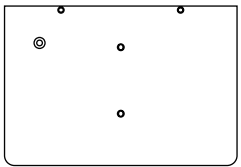
Technical Support and E-Warranty Certificate
www.vevor.com/support

This is the original instruction, please read all manual instructions carefully before operating. VEVOR reserves a clear interpretation of our user manual. The appearance of the product shall be subject to the product you received. Please forgive us that we won't inform you again if there are any technology or software updates on our product.

SPECIFICATIONS

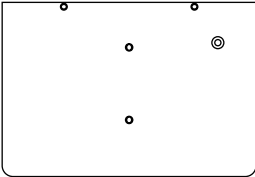
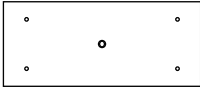

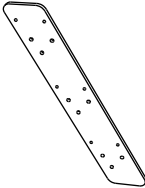
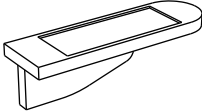

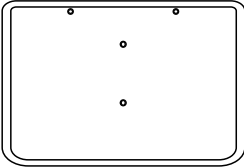

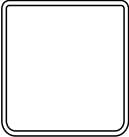
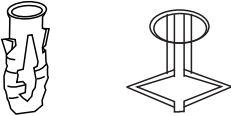



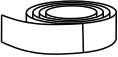
| | |
|-------|----------|
| Model | SSGQK-04 |
| Color | Nature |

COMPONENTS

| | | |
|---|---|--|
|  <p>A x 1</p> |  <p>B x 1</p> |  <p>C x 1</p> |
|  <p>D x 1</p> |  <p>E x 4</p> |  <p>F x 1</p> |
|  <p>G x 1</p> |  <p>H x 1</p> |  <p>I x 1</p> |
|  <p>J x 1</p> |  <p>K x 2</p> |  <p>L x 1</p> |

* each set of products is equipped with screwdrivers and wrenches

COMPONENTS

| | | |
|---|---|---|
|  <p>M x 1</p> |  <p>N x 4</p> |  <p>O x 4</p> |
| <p>(A symmetrical pair)</p>  <p>P x 2</p> |  <p>Q x 6</p> |  <p>R x 1</p> |
| <p>(Loop-pile mat)</p>  <p>S x 4</p> | <p>(Loop-pile mat)</p>  <p>T x 1</p> | <p>(Loop-pile mat)</p>  <p>U x 1</p> |
|  <p>V x 36</p> | <p>(M6*40) (M4*70)</p>   <p>W x 82 X x 36</p> | <p>(M8*35)</p>   <p>Y x 2 Z x 2</p> |
| <p>* each set of products is equipped with screwdrivers and wrenches</p> | | |

Assembly Instructions

TIPS:

- 1.The number of screws marked above is the actual number used during installation. When the product is shipped, 1~3 more screws of each type will be given as spares.
2. During the use of the product, children are prohibited from approaching without the company of adults.
3. The edge of the product is a bit sharp, and you need to wear gloves for installation; at the same time, it comes with sandpaper, so you can polish the edge again by yourself; without gloves, be careful when touching the running wheel.
- 4.Do not tighten the installation screws at once. Tighten the installation screws twice after all screws are aligned
- 5.It is recommended that two or more people install the device



6.Please use the following tools to install



Tape measure



Scissors



Marker pen



screwdriver



Electric drill

Please mark the position on the wall against the plate, reserve about 30cm distance between the jump platforms, drill the hole and bury the expansion tube
(A 6mm drill bit is used for solid walls and a yellow expansion tube is embedded; a 9mm drill bit is used for hollow walls and a butterfly expansion tube is embedded)

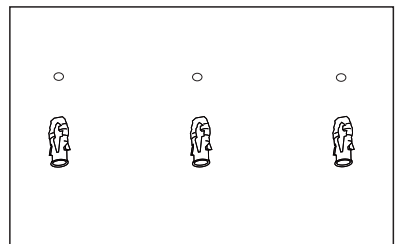
Expansion solenoid



Butterfly solenoid

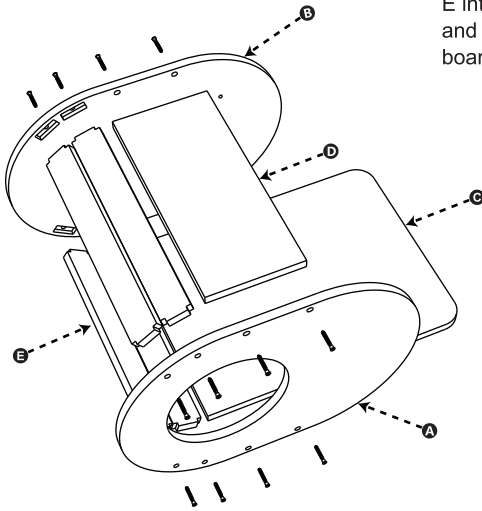


M4*70

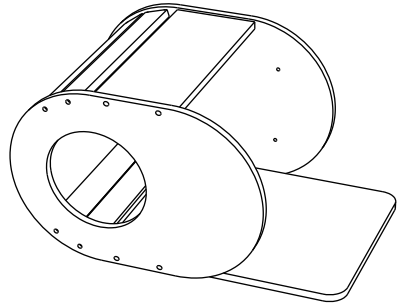


Assembly Instructions

STEP 1

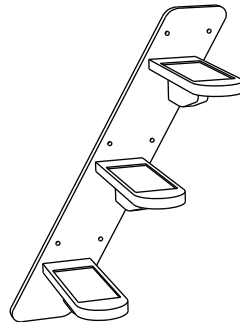
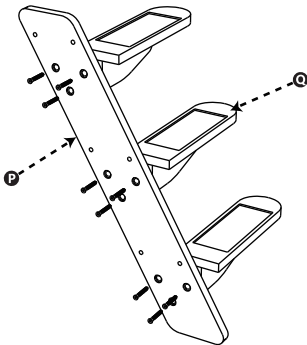


As shown in the figure, insert the wooden stick E into the wooden board A and fix it with screws, and then fix the wooden stick C and the wooden board D with screws on the wooden board A.



Finally, put the board B on and fix it with screws, and the individual components are installed.

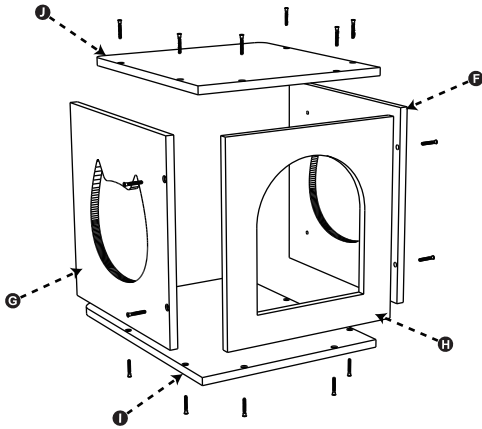
STEP 2



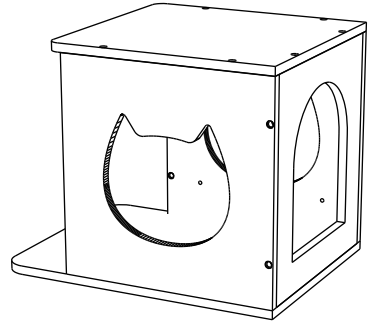
As shown, fix the plank P and part Q together with screws, and repeat this step to install another set of components.

Assembly Instructions

STEP 3

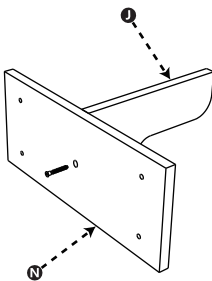


As shown in the figure, first board F, G, H are installed and fixed on board 1 with screws;

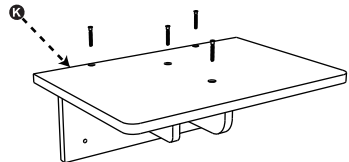


Then put the plank J on and fix it with screws, and the installation of a single component is completed.

STEP 4



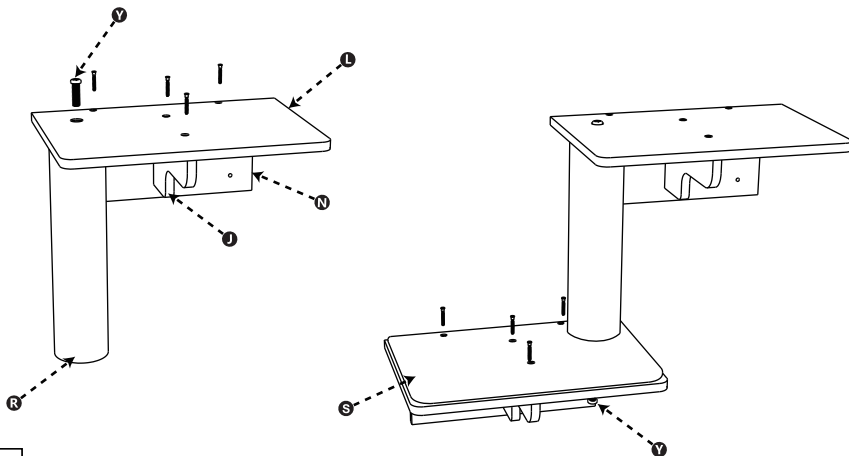
As shown in the figure, first assemble the plank J and plank N together, and then fix the plank K together with screws;



Then repeat this step to install another set of components.

Assembly Instructions

STEP 5



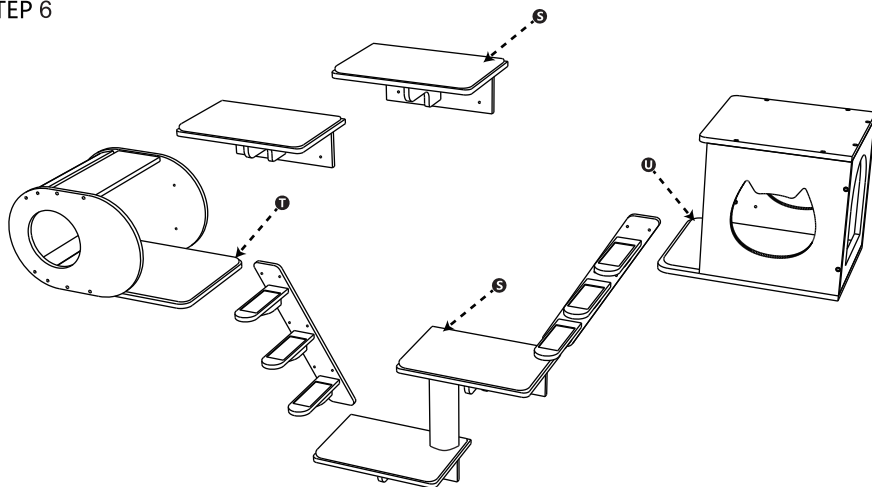
Y x 2



W x 10

As shown in the figure, install the sisal column R and the corresponding component together with screw Y, then paste the adhesive Z on the other component, then paste the mat S, and finally fix it with screws.

STEP 6



X x 36

As shown in the figure, paste the corresponding mat with adhesive Z, and finally use screw X to fix it on the wall.

(The installation distance of each component should be within 30cm)

Address: Shuangchenglu 803nong11hao1602A-1609shi, baoshanqu, shanghai 200000 CN.

Imported to AUS: SIHAO PTY LTD, 1 ROKEVA STREETEASTWOOD NSW 2122 Australia

Imported to USA: Sanven Technology Ltd.Suite 250, 9166 Anaheim Place, Rancho Cucamonga, CA 91730

| | |
|-----------|------------|
| EC | REP |
|-----------|------------|

E-CrossStu GmbH.

Mainzer Landstr.69, 60329 Frankfurt am Main.

| | |
|-----------|------------|
| UK | REP |
|-----------|------------|

YH CONSULTING LIMITED.

C/O YH Consulting Limited Office 147, Centurion House,
London Road, Staines-upon-Thames, Surrey, TW18 4AX.

VEVOR[®]

TOUGH TOOLS, HALF PRICE

Technical Support and E-Warranty Certificate

www.vevor.com/support

VEVOR®

TOUGH TOOLS, HALF PRICE

Técnico apoyo y Certificado de garantía electrónica [Www.vevor.es/soporte](http://www.vevor.es/soporte)

Estante para gatos montado Ins talación Instrucciones

continuamos ser comprometido con proporcionarle herramientas competitivo precio.

"ahorrar Medio", "Mitad de precio" o cualquier otra expresión similar utilizada por nosotros solo representa un

estimación de ahorros podría beneficiarse de m comprar ciertas herramientas con nosotros en comparación con los principales primeras marcas y hace no necesariamente significa cubrir todo categorías de herramienta f Ofrecido por nosotros . Tú

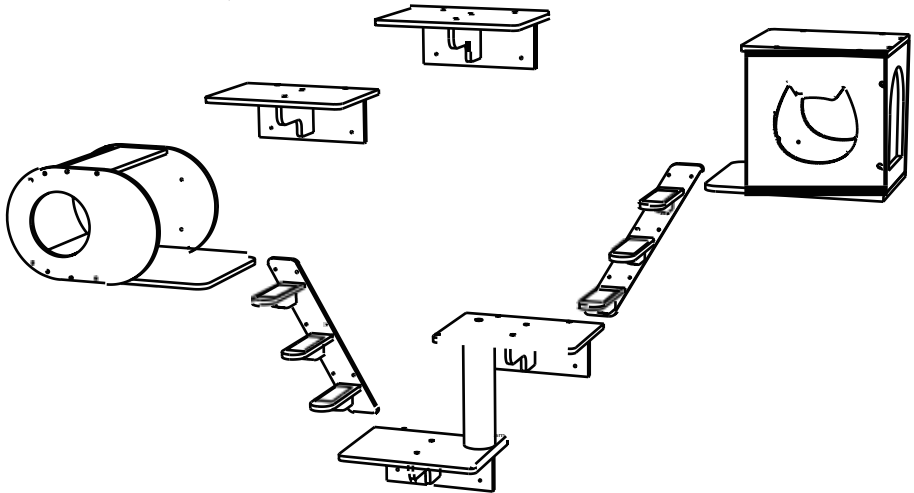
son Le recordamos que debe verificar cuidadosamente cuando son colocación un ordenar con a nosotros si usted son realmente ahorrando la mitad en comparación con el mejor mayor marcas.

VEVOR®

TOUGH TOOLS, HALF PRICE

Mounted Cat Shelf

Modelo: SSGQK-04



NECESIDAD ¿AYUDA? ¡CONTÁCTENOS!

Tener producto ¿preguntas? Necesidad técnico ¿apoyo? Por favor sentir gratis contactar a nosotros :

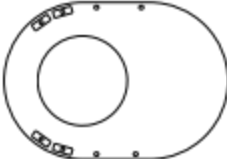
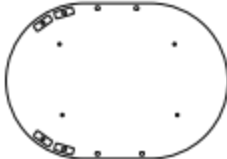



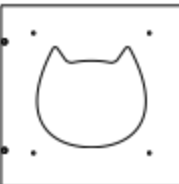
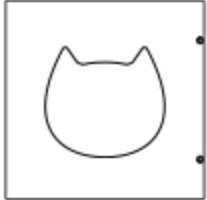


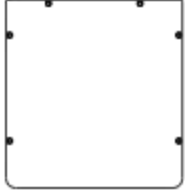
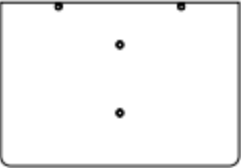
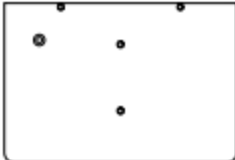
Técnico soporte y garantía electrónica y
certificado www.vevor.es/soporte

Este es el original instrucción , por favor leer todo manual instrucciones cuidadosamente antes de operar. Reservas VEVOR a claro interpretación de nuestro manual de usuario . El Apariencia de el el producto deberá Ser sujeto a el producto tu recibió . por favor perdona nosotros que no te informaremos de nuevo si hay alguna tecnología o software actualizaciones sobre nuestro producto.

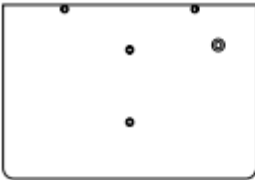


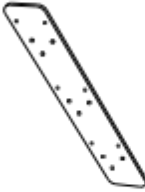
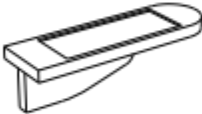

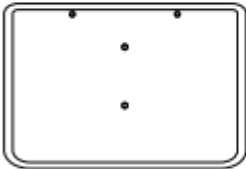







ESPECIFICACIONES

| | |
|--------|------------|
| Modelo | SSGQK-04 |
| Color | Naturaleza |

COMPONENTES

| | | |
|---|---|--|
|  A x 1 |  B x 1 |  C x 1 |
|  D x 1 |  E x 4 |  F x 1 |
|  G x 1 |  H x 1 |  I x 1 |
|  J x 1 |  K x 2 |  L x 1 |
| * each set of products is equipped with screwdrivers and wrenches | | |

COMPONENTS

| | | |
|---|---|---|
|  <p>M x 1</p> |  <p>N x 4</p> |  <p>O x 4</p> |
| <p>(A symmetrical pair)</p>  <p>P x 2</p> |  <p>Q x 6</p> |  <p>R x 1</p> |
| <p>(Loop-pile mat)</p>  <p>S x 4</p> | <p>(Loop-pile mat)</p>  <p>T x 1</p> | <p>(Loop-pile mat)</p>  <p>U x 1</p> |
|  <p>V x 36</p> | <p>(M6*40) (M4*70)</p>   <p>W x 82 X x 36</p> | <p>(M8*35)</p>   <p>Y x 2 Z x 2</p> |
| <p>* each set of products is equipped with screwdrivers and wrenches</p> | | |

Assembly Instructions

TIPS:

1. The number of screws marked above is the actual number used during installation. When the product is shipped, 1~3 more screws of each type will be given as spares.
2. During the use of the product, children are prohibited from approaching without the company of adults.
3. The edge of the product is a bit sharp, and you need to wear gloves for installation; at the same time, it comes with sandpaper, so you can polish the edge again by yourself; without gloves, be careful when touching the running wheel.
4. Do not tighten the installation screws at once. Tighten the installation screws twice after all screws are aligned
5. It is recommended that two or more people install the device



6. Please use the following tools to install



Tape measure



Scissors



Marker pen



screwdriver



Electric drill

Please mark the position on the wall against the plate, reserve about 30cm distance between the jump platforms, drill the hole and bury the expansion tube
(A 6mm drill bit is used for solid walls and a yellow expansion tube is embedded; a 9mm drill bit is used for hollow walls and a butterfly expansion tube is embedded)

Expansion solenoid



Butterfly solenoid

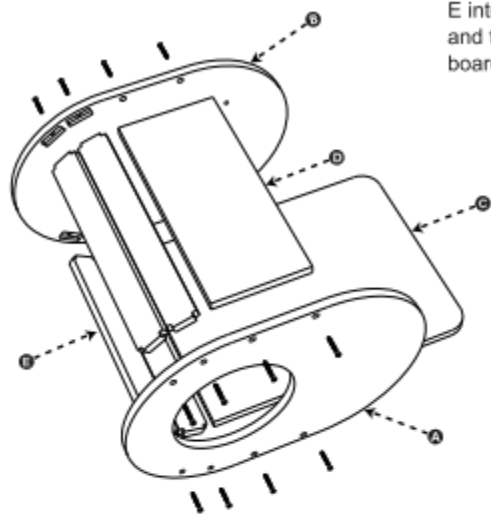


M4*70

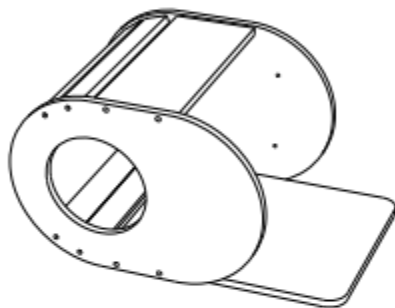


Assembly Instructions

STEP 1

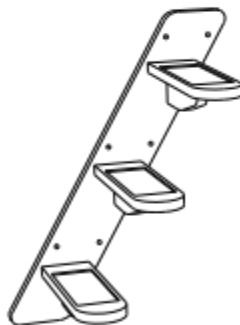
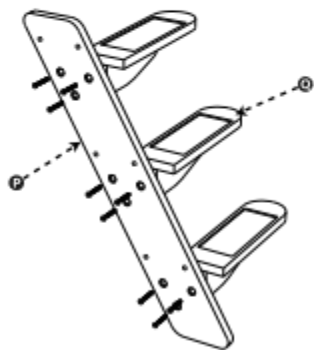


As shown in the figure, insert the wooden stick E into the wooden board A and fix it with screws, and then fix the wooden stick C and the wooden board D with screws on the wooden board A.



Finally, put the board B on and fix it with screws, and the individual components are installed.

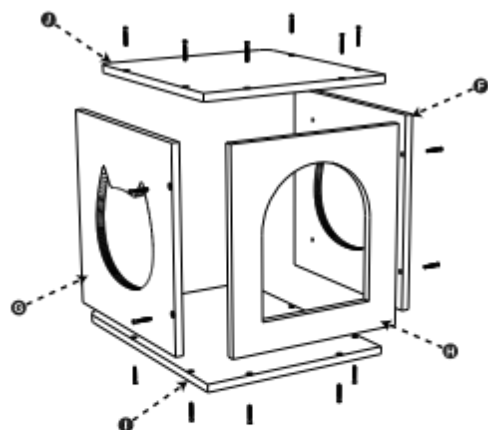
STEP 2



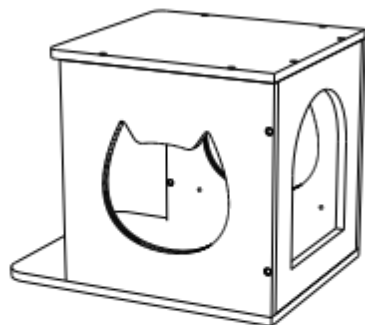
As shown, fix the plank P and part Q together with screws, and repeat this step to install another set of components.

Assembly Instructions

STEP 3

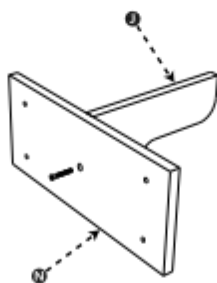


As shown in the figure, first board F, G, H are installed and fixed on board 1 with screws;

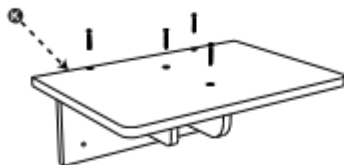


Then put the plank J on and fix it with screws, and the installation of a single component is completed.

STEP 4



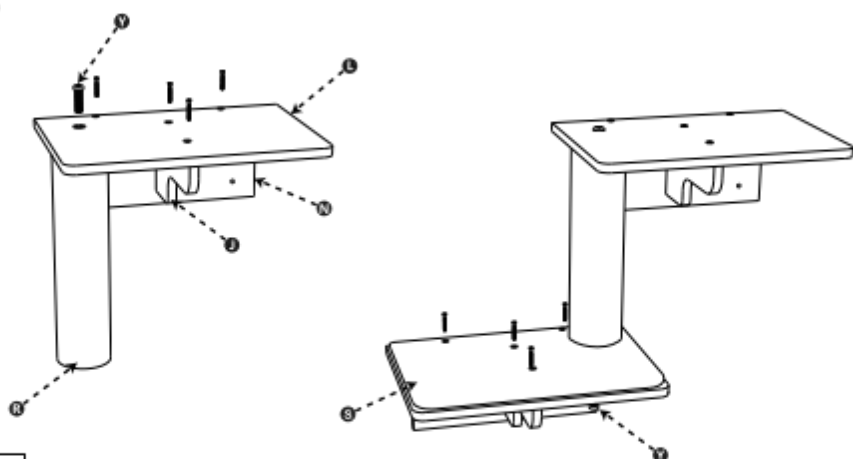
As shown in the figure, first assemble the plank J and plank N together, and then fix the plank K together with screws;



Then repeat this step to install another set of components.

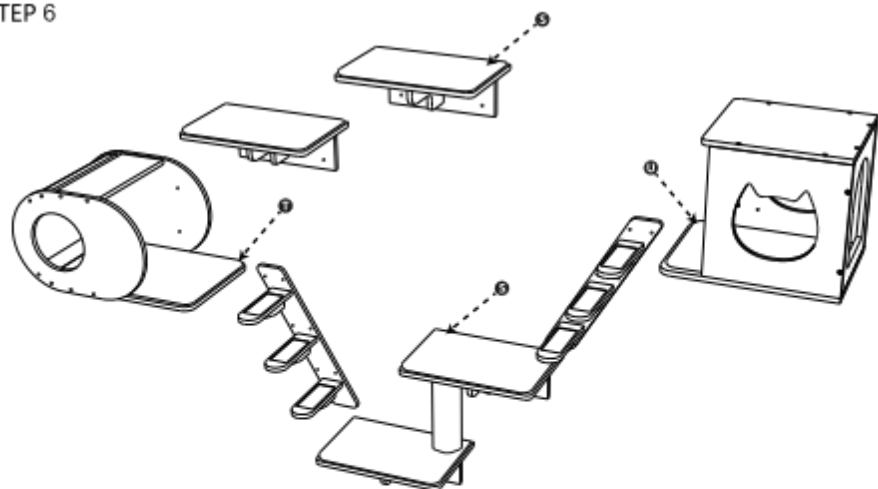
Assembly Instructions

STEP 5



As shown in the figure, install the sisal column R and the corresponding component together with screw Y, then paste the adhesive Z on the other component, then paste the mat S, and finally fix it with screws.

STEP 6



As shown in the figure, paste the corresponding mat with adhesive Z, and finally use screw X to fix it on the wall.

(The installation distance of each component should be within 30cm)

Address: Shuangchenglu 803nong11hao1602A-1609shi, baoshanqu, shanghai 200000 CN.

Imported to AUS: SIHAO PTY LTD, 1 ROKEVA STREETEASTWOOD NSW 2122 Australia

Imported to USA: Sanven Technology Ltd.Suite 250, 9166 Anaheim Place, Rancho Cucamonga, CA 91730



E-CrossStu GmbH.

Mainzer Landstr.69, 60329 Frankfurt am Main.



YH CONSULTING LIMITED.

C/O YH Consulting Limited Office 147, Centurion House,
London Road, Staines-upon-Thames, Surrey, TW18 4AX.

VEVOR[®]

TOUGH TOOLS, HALF PRICE

Soporte técnico y Certificado de garantía
electrónica [Www.vevor.es/soporte](http://www.vevor.es/soporte)

VEVOR®

TOUGH TOOLS, HALF PRICE

Tecnico supporto e Certificato di garanzia elettronica [Www.vevor.com/supporto](http://www.vevor.com/supporto)

Mensola per gatti montata Installazione Istruzioni

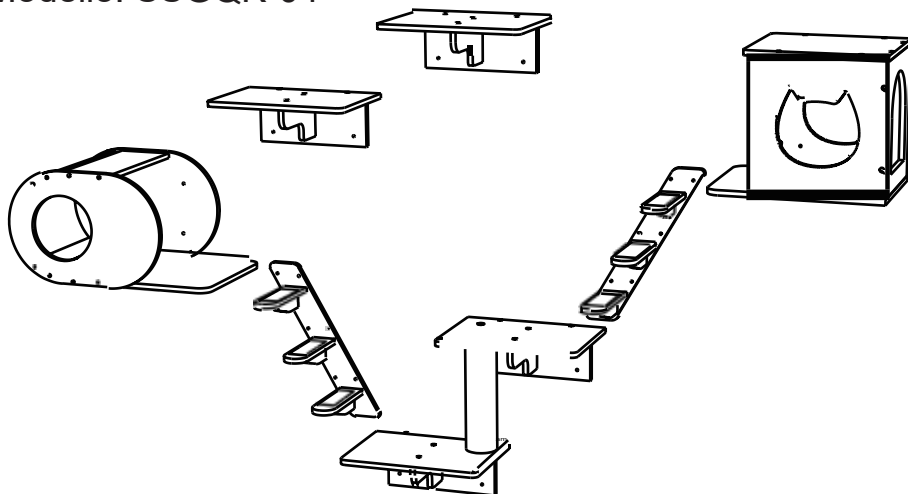
continuiamo a Essere impegnato con fornirti gli strumenti competitivo prezzo. "salva Metà", "Metà prezzo" o qualsiasi altra espressione simile utilizzata da noi rappresenta solo UN stima del tuo risparmio potrebbe trarre beneficio da m acquistare determinati strumenti con noi rispetto al maggiore le migliori marche e fa non significa necessariamente coprire tutto categorie di strumenti s offerto da noi. Voi Sono si ricorda gentilmente di verificare attentamente quando si Sono collocazione UN ordina con noi se tu Sono effettivamente risparmiando metà dentro confronto con la massima specializzazione Marche.

VEVOR®

TOUGH TOOLS, HALF PRICE

Mounted Cat Shelf

Modello: SSGQK-04



BISOGNO AIUTO? CONTATTACI!

Avere Prodotto domande? Bisogno tecnico supporto? Per favore
Tatto gratuito contattare noi :

Tecnico supporto e certificato E-warrant
www.vevor.com/supporto

Questo È IL originale istruzioni , Per favore Leggere Tutto Manuale
Istruzioni

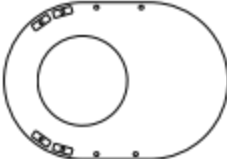
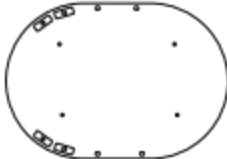



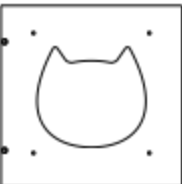
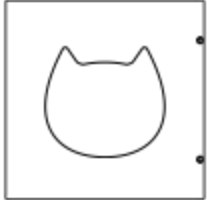


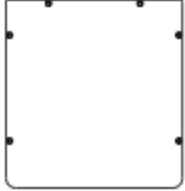
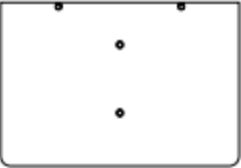
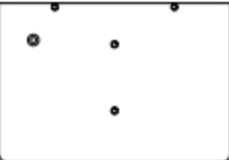
attentamente prima di operare. VEVOR riserve UN chiaro
interpretazione del nostro Manuale d'uso . IL aspetto di IL il prodotto
dovrà essere soggetto A IL

prodotto te ricevuto . per favore perdona noi che non ti informeremo
Ancora Se non ci sono tecnologie o software aggiornamenti su il nostro
prodotto.

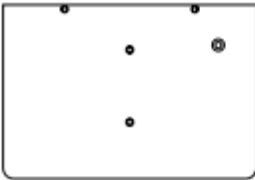


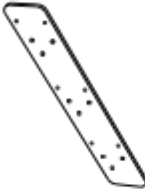
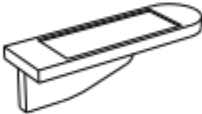

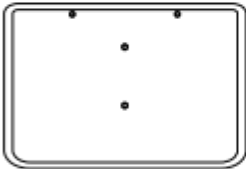







SPECIFICHE

| | |
|---------|----------|
| Modello | SSGQK-04 |
| Colore | Natura |

COMPONENTI

| | | |
|---|---|--|
|  <p>A x 1</p> |  <p>B x 1</p> |  <p>C x 1</p> |
|  <p>D x 1</p> |  <p>E x 4</p> |  <p>F x 1</p> |
|  <p>G x 1</p> |  <p>H x 1</p> |  <p>I x 1</p> |
|  <p>J x 1</p> |  <p>K x 2</p> |  <p>L x 1</p> |
| <p>* each set of products is equipped with screwdrivers and wrenches</p> | | |

COMPONENTS

| | | |
|---|---|---|
|  <p>M x 1</p> |  <p>N x 4</p> |  <p>O x 4</p> |
| <p>(A symmetrical pair)</p>  <p>P x 2</p> |  <p>Q x 6</p> |  <p>R x 1</p> |
| <p>(Loop-pile mat)</p>  <p>S x 4</p> | <p>(Loop-pile mat)</p>  <p>T x 1</p> | <p>(Loop-pile mat)</p>  <p>U x 1</p> |
|  <p>V x 36</p> | <p>(M6*40) (M4*70)</p>   <p>W x 82 X x 36</p> | <p>(M8*35)</p>   <p>Y x 2 Z x 2</p> |
| <p>* each set of products is equipped with screwdrivers and wrenches</p> | | |

Assembly Instructions

TIPS:

1. The number of screws marked above is the actual number used during installation. When the product is shipped, 1~3 more screws of each type will be given as spares.
2. During the use of the product, children are prohibited from approaching without the company of adults.
3. The edge of the product is a bit sharp, and you need to wear gloves for installation; at the same time, it comes with sandpaper, so you can polish the edge again by yourself; without gloves, be careful when touching the running wheel.
4. Do not tighten the installation screws at once. Tighten the installation screws twice after all screws are aligned
5. It is recommended that two or more people install the device



6. Please use the following tools to install



Tape measure



Scissors



Marker pen



screwdriver



Electric drill

Please mark the position on the wall against the plate, reserve about 30cm distance between the jump platforms, drill the hole and bury the expansion tube
(A 6mm drill bit is used for solid walls and a yellow expansion tube is embedded; a 9mm drill bit is used for hollow walls and a butterfly expansion tube is embedded)

Expansion solenoid



Butterfly solenoid

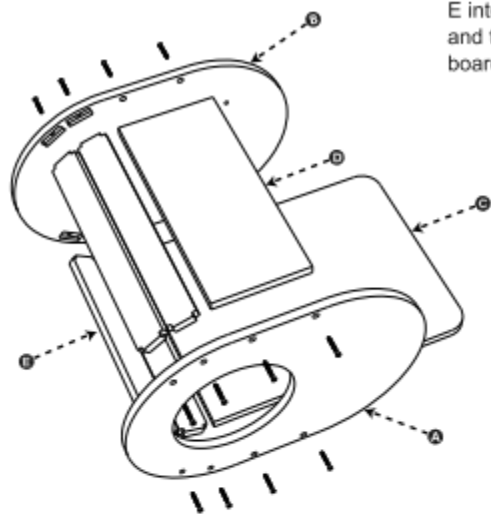


M4*70

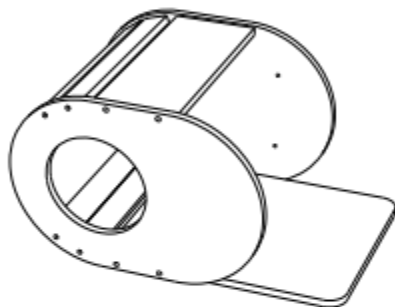


Assembly Instructions

STEP 1

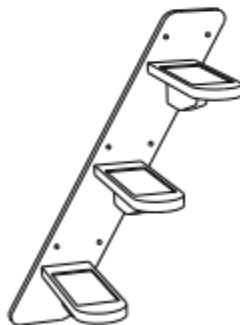
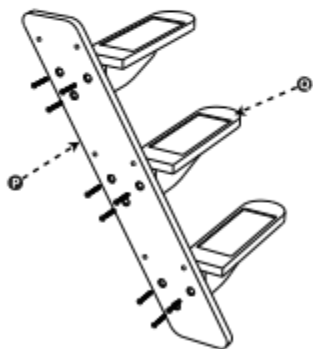


As shown in the figure, insert the wooden stick E into the wooden board A and fix it with screws, and then fix the wooden stick C and the wooden board D with screws on the wooden board A.



Finally, put the board B on and fix it with screws, and the individual components are installed.

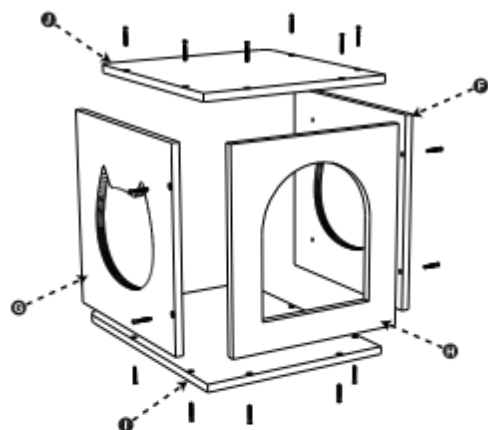
STEP 2



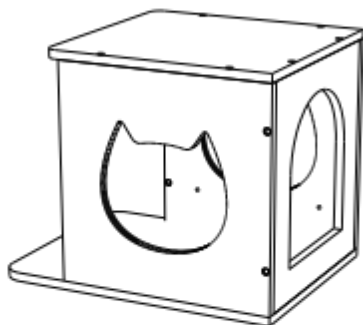
As shown, fix the plank P and part Q together with screws, and repeat this step to install another set of components.

Assembly Instructions

STEP 3

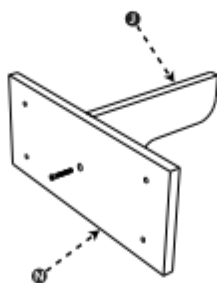


As shown in the figure, first board F, G, H are installed and fixed on board 1 with screws;

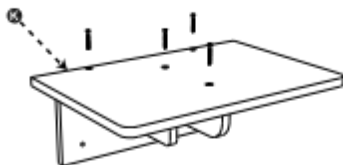


Then put the plank J on and fix it with screws, and the installation of a single component is completed.

STEP 4



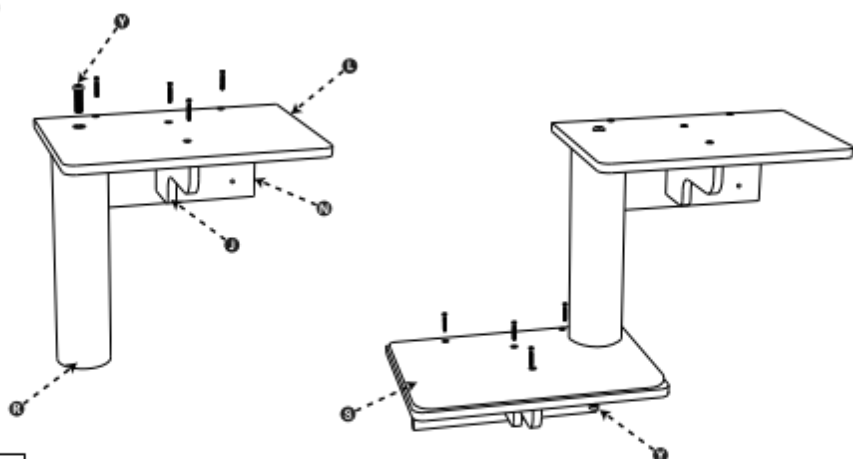
As shown in the figure, first assemble the plank J and plank N together, and then fix the plank K together with screws;



Then repeat this step to install another set of components.

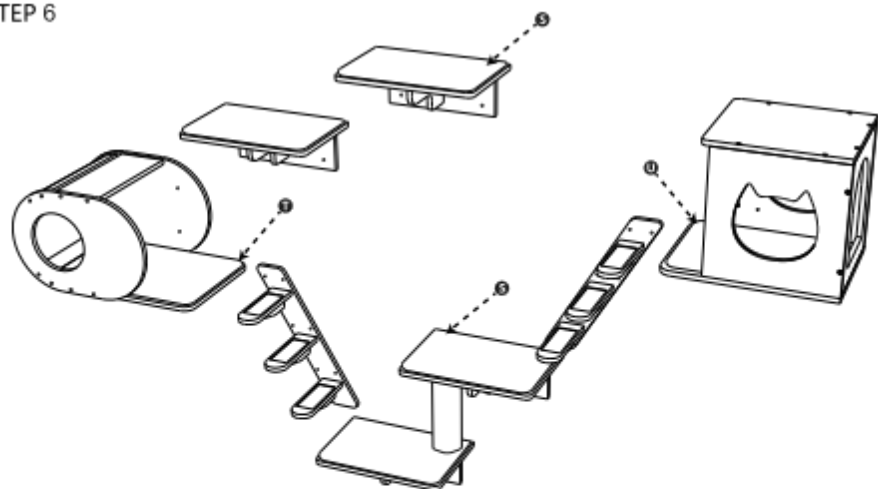
Assembly Instructions

STEP 5



As shown in the figure, install the sisal column R and the corresponding component together with screw Y, then paste the adhesive Z on the other component, then paste the mat S, and finally fix it with screws.

STEP 6



As shown in the figure, paste the corresponding mat with adhesive Z, and finally use screw X to fix it on the wall.

(The installation distance of each component should be within 30cm)

Address: Shuangchenglu 803nong11hao1602A-1609shi, baoshanqu, shanghai 200000 CN.

Imported to AUS: SIHAO PTY LTD, 1 ROKEVA STREETEASTWOOD NSW 2122 Australia

Imported to USA: Sanven Technology Ltd.Suite 250, 9166 Anaheim Place, Rancho Cucamonga, CA 91730



E-CrossStu GmbH.

Mainzer Landstr.69, 60329 Frankfurt am Main.



YH CONSULTING LIMITED.

C/O YH Consulting Limited Office 147, Centurion House,
London Road, Staines-upon-Thames, Surrey, TW18 4AX.

VEVOR[®]

TOUGH TOOLS, HALF PRICE

Supporto tecnico e Certificato di garanzia
elettronica [Www.vevor.com/supporto](http://www.vevor.com/supporto)



Techniczny wsparcie i Certyfikat e-gwarancji www.wevor.com/wsparcie

Zamontowana półka dla kota Instalacja Instrukcje

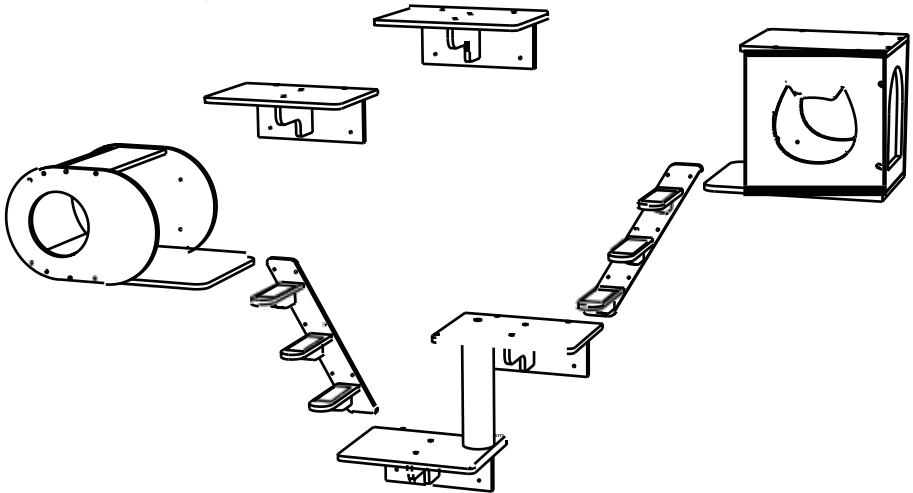
kontynuujemy Być zobowiązań się zapewnić Ci narzędzia konkurencyjny cena. "ratować Połowa", "Połowa ceny" lub jakiegokolwiek inne podobne wyrażenia przez nas stanowi jedynie jakiś oszacowanie oszczędności może skorzystać z m kupując określone narzędzia za pomocą nas w porównaniu z majorem najlepsze marki i robi niekoniecznie to znaczy przykryć wszystko kategorie narzędzia s oferowany przez nas. Ty Czy Uprzejmie przypominamy, aby dokładnie sprawdzić, kiedy Czy umieszczanie jakiś zamów z nas Jeśli ty Czy faktycznie oszczędza w połowie porównanie z czołowym kierunkiem marki.

VEVOR®

TOUGH TOOLS, HALF PRICE

Mounted Cat Shelf

Model: SSGQK-04



POTRZEBOWAĆ POMOC? SKONTAKTUJ SIĘ Z NAMI!

Mieć produkt pytania? Potrzebować techniczny wsparcie? Proszę czuć bezpłatny skontaktować się nas :

Techniczny wsparcie i certyfikat e-gwarancji
www.vevor.com/wsparcie

Ten Jest the oryginalny instrukcja , Proszę Czytać Wszystko podręcznik instrukcje

ostrożnie przed rozpoczęciem pracy. Rezerwy VEVOR A jasne interpretacja z naszego instrukcja obsługi . The pojawienie się the produkt powinien podpadać Do the

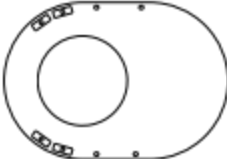
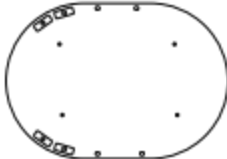



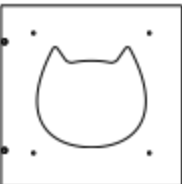
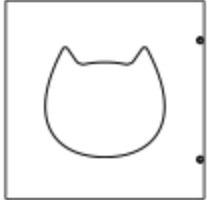


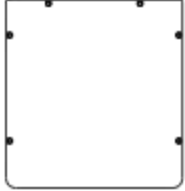
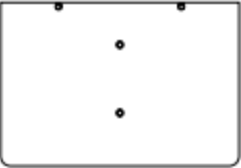
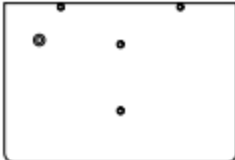
produkt ty otrzymane . proszę przebacz nas, że nie będziemy Cię informować Ponownie Jeśli istnieje jakakolwiek technologia lub

oprogramowanie aktualizacje na nasz produkt.

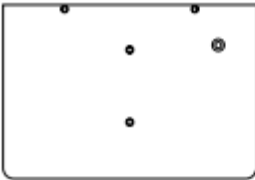


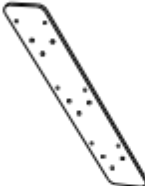
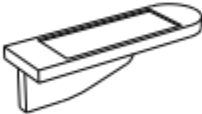

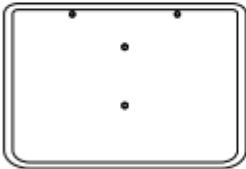







SPECYFIKACJE

| | |
|-------|----------|
| Model | SSGQK-04 |
| Kolor | Natura |

SKŁADNIKI

| | | |
|---|---|--|
|  A x 1 |  B x 1 |  C x 1 |
|  D x 1 |  E x 4 |  F x 1 |
|  G x 1 |  H x 1 |  I x 1 |
|  J x 1 |  K x 2 |  L x 1 |
| <p>* each set of products is equipped with screwdrivers and wrenches</p> | | |

COMPONENTS

| | | |
|---|---|---|
|  <p>M x 1</p> |  <p>N x 4</p> |  <p>O x 4</p> |
| <p>(A symmetrical pair)</p>  <p>P x 2</p> |  <p>Q x 6</p> |  <p>R x 1</p> |
| <p>(Loop-pile mat)</p>  <p>S x 4</p> | <p>(Loop-pile mat)</p>  <p>T x 1</p> | <p>(Loop-pile mat)</p>  <p>U x 1</p> |
|  <p>V x 36</p> | <p>(M6*40) (M4*70)</p>   <p>W x 82 X x 36</p> | <p>(M8*35)</p>   <p>Y x 2 Z x 2</p> |
| <p>* each set of products is equipped with screwdrivers and wrenches</p> | | |

Assembly Instructions

TIPS:

1. The number of screws marked above is the actual number used during installation. When the product is shipped, 1~3 more screws of each type will be given as spares.
2. During the use of the product, children are prohibited from approaching without the company of adults.
3. The edge of the product is a bit sharp, and you need to wear gloves for installation; at the same time, it comes with sandpaper, so you can polish the edge again by yourself; without gloves, be careful when touching the running wheel.
4. Do not tighten the installation screws at once. Tighten the installation screws twice after all screws are aligned
5. It is recommended that two or more people install the device



6. Please use the following tools to install



Tape measure



Scissors



Marker pen



screwdriver



Electric drill

Please mark the position on the wall against the plate, reserve about 30cm distance between the jump platforms, drill the hole and bury the expansion tube
(A 6mm drill bit is used for solid walls and a yellow expansion tube is embedded; a 9mm drill bit is used for hollow walls and a butterfly expansion tube is embedded)

Expansion solenoid



Butterfly solenoid

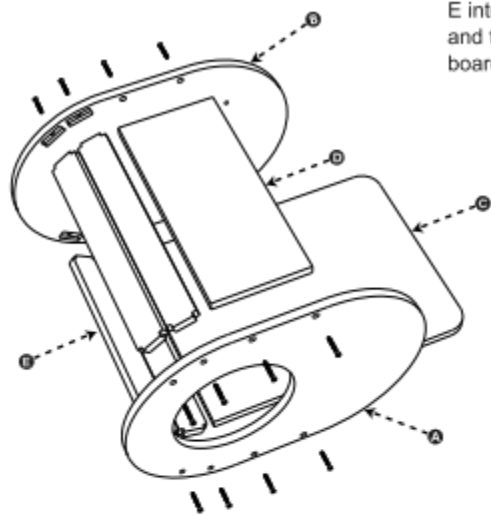


M4*70

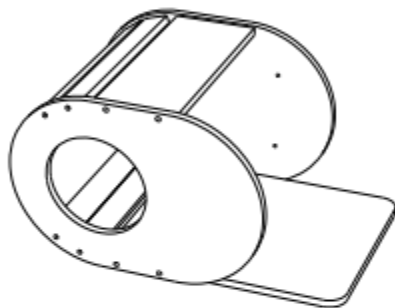


Assembly Instructions

STEP 1

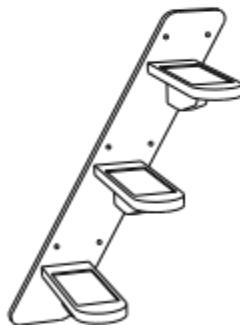
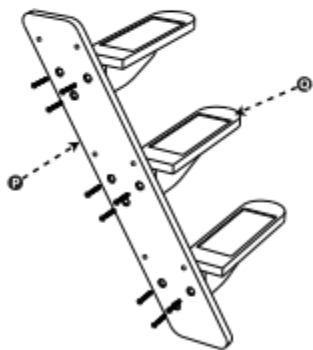


As shown in the figure, insert the wooden stick E into the wooden board A and fix it with screws, and then fix the wooden stick C and the wooden board D with screws on the wooden board A.



Finally, put the board B on and fix it with screws, and the individual components are installed.

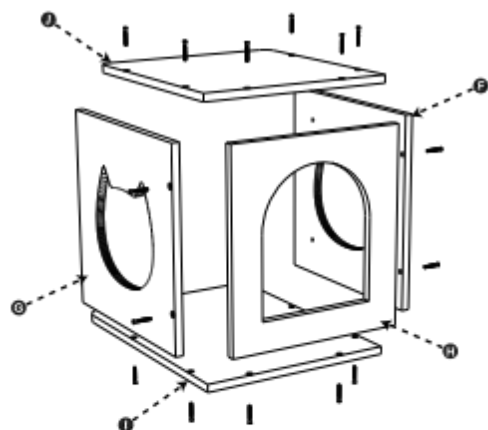
STEP 2



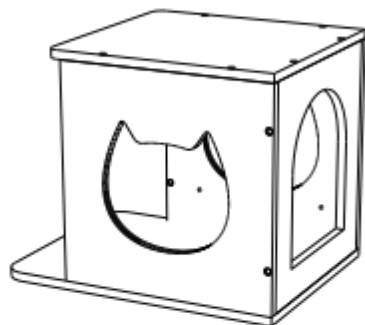
As shown, fix the plank P and part Q together with screws, and repeat this step to install another set of components.

Assembly Instructions

STEP 3

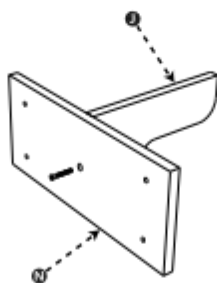


As shown in the figure, first board F, G, H are installed and fixed on board 1 with screws;

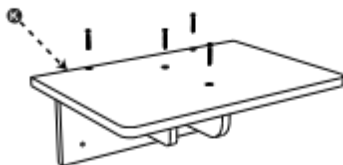


Then put the plank J on and fix it with screws, and the installation of a single component is completed.

STEP 4



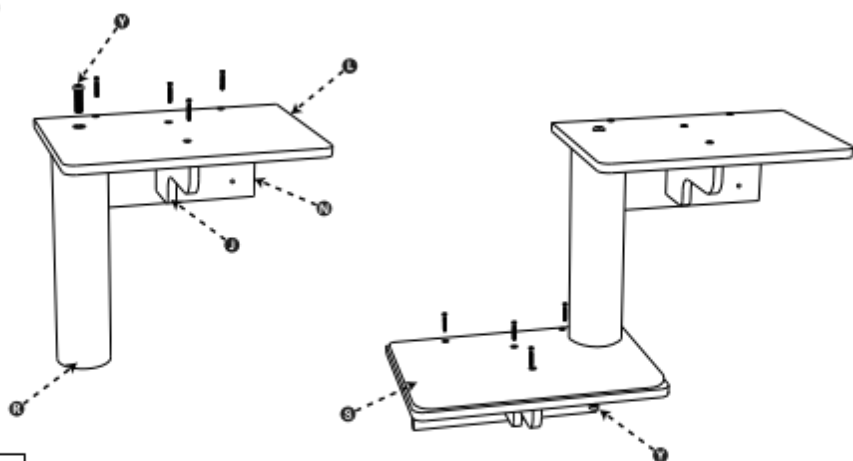
As shown in the figure, first assemble the plank J and plank N together, and then fix the plank K together with screws;



Then repeat this step to install another set of components.

Assembly Instructions

STEP 5



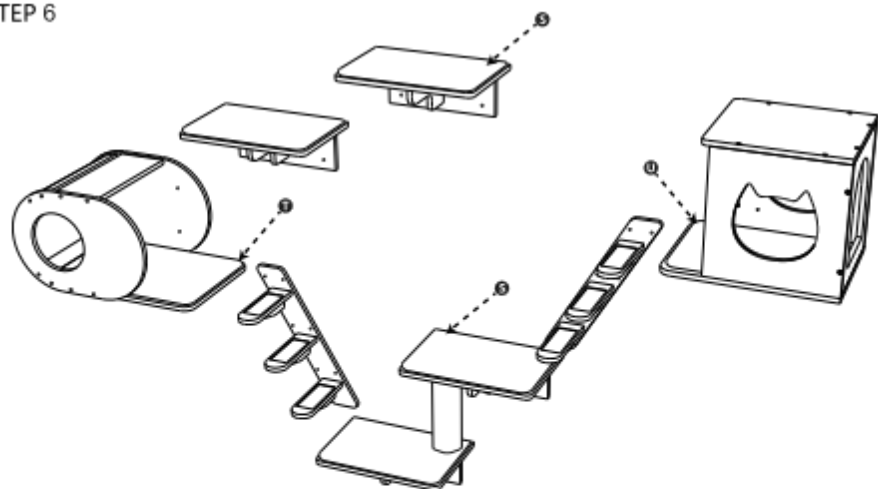
Y x 2



W x 10

As shown in the figure, install the sisal column R and the corresponding component together with screw Y, then paste the adhesive Z on the other component, then paste the mat S, and finally fix it with screws.

STEP 6



X x 36

As shown in the figure, paste the corresponding mat with adhesive Z, and finally use screw X to fix it on the wall.

(The installation distance of each component should be within 30cm)

Address: Shuangchenglu 803nong11hao1602A-1609shi, baoshanqu, shanghai 200000 CN.

Imported to AUS: SIHAO PTY LTD, 1 ROKEVA STREETEASTWOOD NSW 2122 Australia

Imported to USA: Sanven Technology Ltd.Suite 250, 9166 Anaheim Place, Rancho Cucamonga, CA 91730



E-CrossStu GmbH.

Mainzer Landstr.69, 60329 Frankfurt am Main.



YH CONSULTING LIMITED.

C/O YH Consulting Limited Office 147, Centurion House,
London Road, Staines-upon-Thames, Surrey, TW18 4AX.

VEVOR[®]

TOUGH TOOLS, HALF PRICE

Wsparcie techniczne i Certyfikat gwarancji
elektronicznej www.vevor.com/wsparcie



Technisch Unterstützung und E-Garantie-zertifikat www.vevor.com/support

Montiertes Katzenregal Installation Anweisungen

wir fahren fort Sei verpflichtet bieten Ihnen Werkzeuge mit wettbewerbsfähig
Preis.

"speichern Halb", "Zum halben Preis" oder andere ähnliche Ausdrücke von uns stellt nur
ein

Schätzung der Einsparungen, die Sie könnte von m profitieren Kauf bestimmter Werkzeuge
mit uns im Vergleich zu den großen Top-Marken und tut nicht unbedingt bedeuten alles
abdecken Kategorien von Werkzeugen angeboten von uns. Du

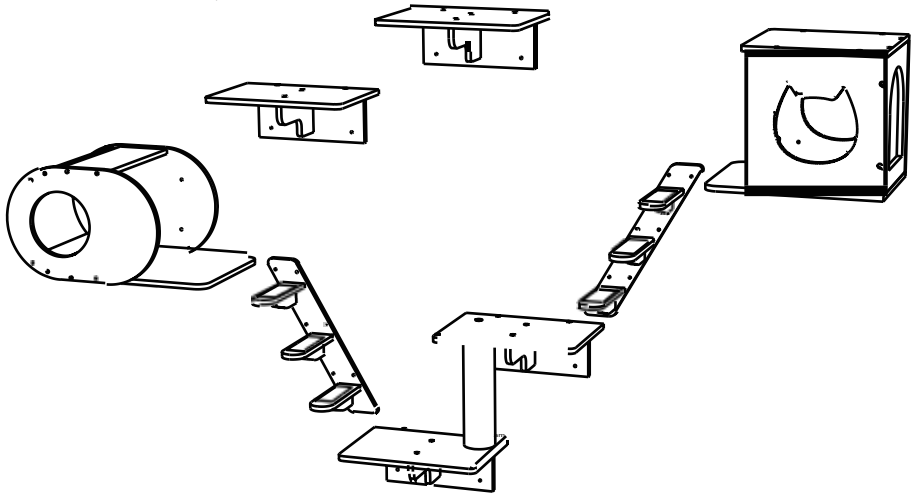
Sind Bitte überprüfen Sie sorgfältig, wenn Sie Sind Platzierung ein Bestellen mit uns
wenn du Sind tatsächlich sparen halb in Vergleich mit den Top-Major
Marken.

VEVOR®

TOUGH TOOLS, HALF PRICE

Mounted Cat Shelf

Modell: SSGQK-04



BRAUCHEN HELFEN? KONTAKTIERE UNS!

Haben Produkt Fragen? Brauchen technisch Unterstützung? Bitte fühlen frei in Verbindung zu treten uns :

Technisch Support und E-Warranty -
Zertifikat www.vevor.com/support

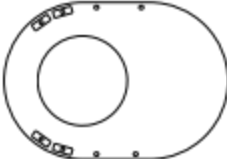
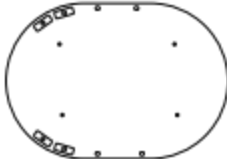



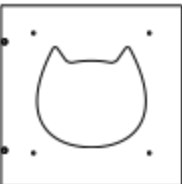
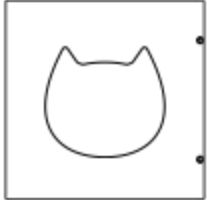


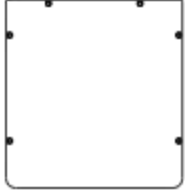
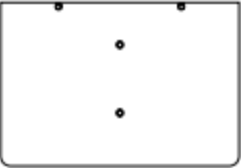
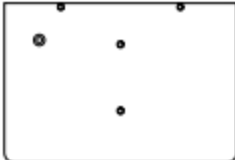
Das Ist Die Original Anweisung , Bitte lesen alle Handbuch Anweisungen sorgfältig, bevor Sie es in Betrieb nehmen. VEVOR behält sich A klar Deutung unserer Benutzerhandbuch . Der auftreten von Die Das Produkt soll Gegenstand sein Zu Die

Produkt Sie erhalten . bitte vergib uns, dass wir Sie nicht informieren werden wieder Wenn es gibt jede Technologie oder Software Updates auf unser Produkt.

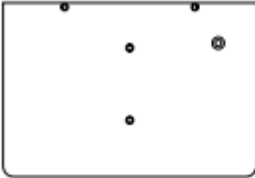


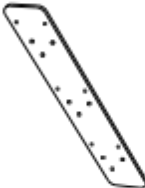
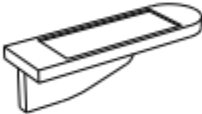

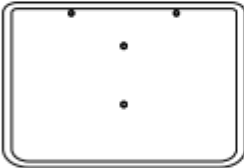


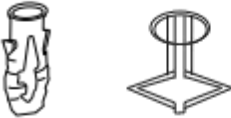




SPEZIFIKATIONEN

| | |
|--------|----------|
| Modell | SSGQK-04 |
| Farbe | Natur |

KOMPONENTEN

| | | |
|---|---|--|
|  A x 1 |  B x 1 |  C x 1 |
|  D x 1 |  E x 4 |  F x 1 |
|  G x 1 |  H x 1 |  I x 1 |
|  J x 1 |  K x 2 |  L x 1 |
| * each set of products is equipped with screwdrivers and wrenches | | |

COMPONENTS

| | | |
|---|---|---|
|  <p>M x 1</p> |  <p>N x 4</p> |  <p>O x 4</p> |
| <p>(A symmetrical pair)</p>  <p>P x 2</p> |  <p>Q x 6</p> |  <p>R x 1</p> |
| <p>(Loop-pile mat)</p>  <p>S x 4</p> | <p>(Loop-pile mat)</p>  <p>T x 1</p> | <p>(Loop-pile mat)</p>  <p>U x 1</p> |
|  <p>V x 36</p> | <p>(M6*40) (M4*70)</p>   <p>W x 82 X x 36</p> | <p>(M8*35)</p>   <p>Y x 2 Z x 2</p> |
| <p>* each set of products is equipped with screwdrivers and wrenches</p> | | |

Assembly Instructions

TIPS:

1. The number of screws marked above is the actual number used during installation. When the product is shipped, 1~3 more screws of each type will be given as spares.
2. During the use of the product, children are prohibited from approaching without the company of adults.
3. The edge of the product is a bit sharp, and you need to wear gloves for installation; at the same time, it comes with sandpaper, so you can polish the edge again by yourself; without gloves, be careful when touching the running wheel.
4. Do not tighten the installation screws at once. Tighten the installation screws twice after all screws are aligned
5. It is recommended that two or more people install the device



6. Please use the following tools to install



Tape measure



Scissors



Marker pen



screwdriver



Electric drill

Please mark the position on the wall against the plate, reserve about 30cm distance between the jump platforms, drill the hole and bury the expansion tube
(A 6mm drill bit is used for solid walls and a yellow expansion tube is embedded; a 9mm drill bit is used for hollow walls and a butterfly expansion tube is embedded)

Expansion solenoid



Butterfly solenoid

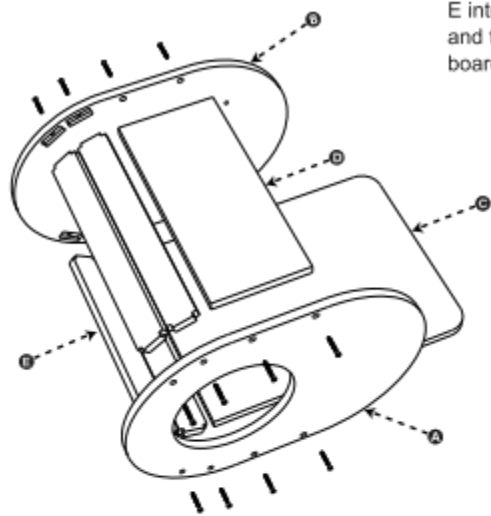


M4*70

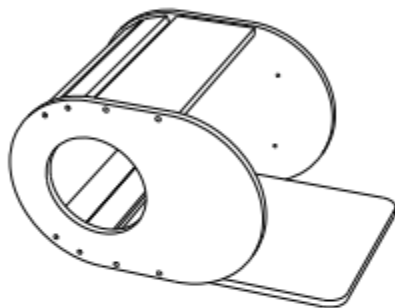


Assembly Instructions

STEP 1

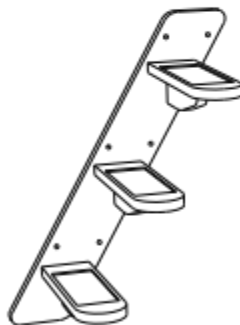
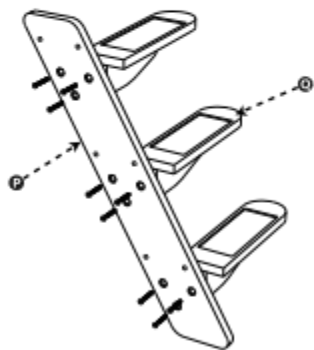


As shown in the figure, insert the wooden stick E into the wooden board A and fix it with screws, and then fix the wooden stick C and the wooden board D with screws on the wooden board A.



Finally, put the board B on and fix it with screws, and the individual components are installed.

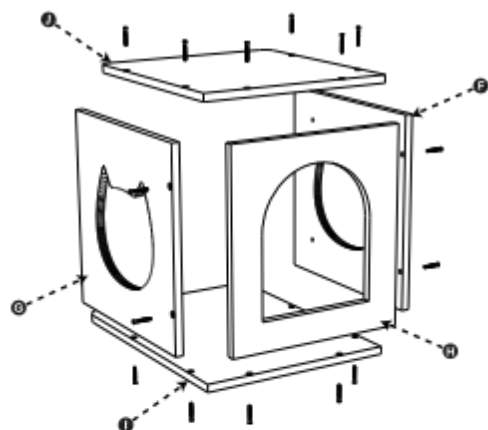
STEP 2



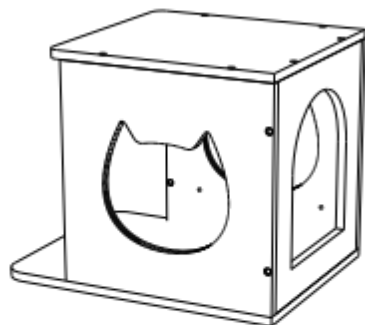
As shown, fix the plank P and part Q together with screws, and repeat this step to install another set of components.

Assembly Instructions

STEP 3

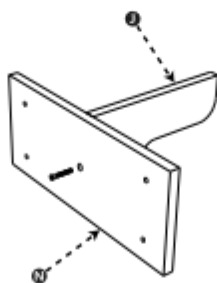


As shown in the figure, first board F, G, H are installed and fixed on board 1 with screws;

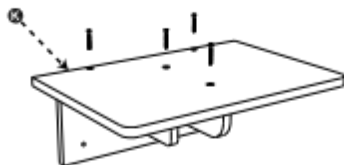


Then put the plank J on and fix it with screws, and the installation of a single component is completed.

STEP 4



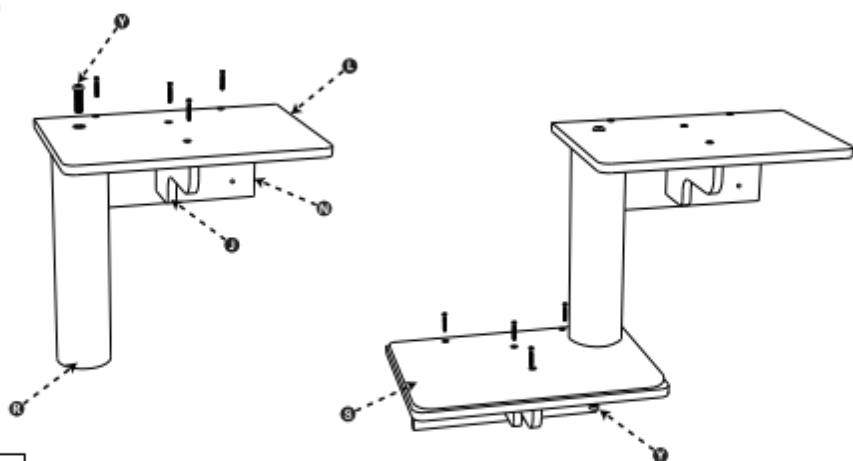
As shown in the figure, first assemble the plank J and plank N together, and then fix the plank K together with screws;



Then repeat this step to install another set of components.

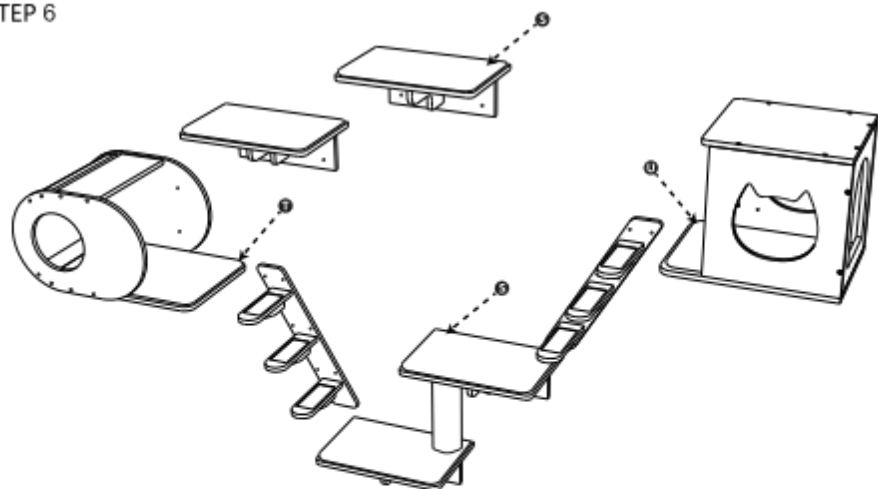
Assembly Instructions

STEP 5



As shown in the figure, install the sisal column R and the corresponding component together with screw Y, then paste the adhesive Z on the other component, then paste the mat S, and finally fix it with screws.

STEP 6



As shown in the figure, paste the corresponding mat with adhesive Z, and finally use screw X to fix it on the wall.

(The installation distance of each component should be within 30cm)

Address: Shuangchenglu 803nong11hao1602A-1609shi, baoshanqu, shanghai 200000 CN.

Imported to AUS: SIHAO PTY LTD, 1 ROKEVA STREETEASTWOOD NSW 2122 Australia

Imported to USA: Sanven Technology Ltd.Suite 250, 9166 Anaheim Place, Rancho Cucamonga, CA 91730



E-CrossStu GmbH.

Mainzer Landstr.69, 60329 Frankfurt am Main.



YH CONSULTING LIMITED.

C/O YH Consulting Limited Office 147, Centurion House,
London Road, Staines-upon-Thames, Surrey, TW18 4AX.

VEVOR[®]

TOUGH TOOLS, HALF PRICE

Technischer Support und E- Garantie-
Zertifikat www.vevor.com/support



Technique soutien et Certificat de garantie électronique [Www.vevor.com/support](http://www.vevor.com/support)

Étagère pour chat montée Installation Instructions

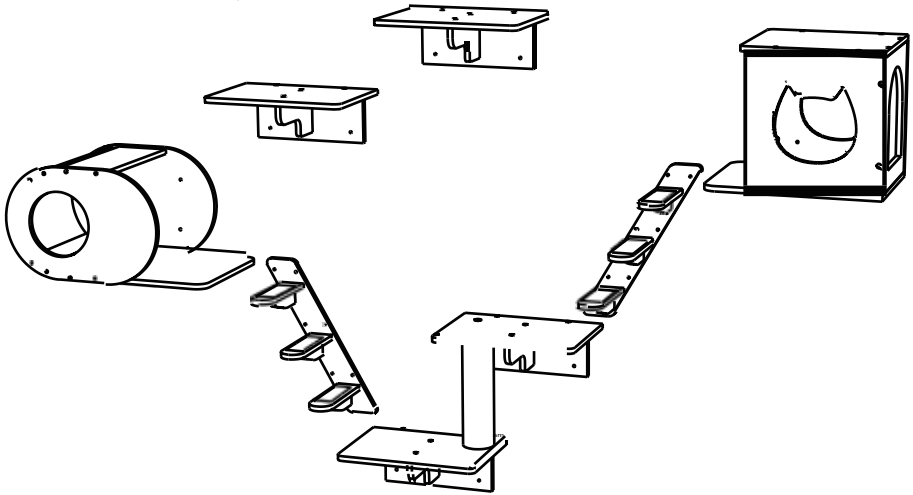
nous continuons à être engagé à vous fournir des outils avec compétitif prix. "sauvegarder Moitié", "Moitié prix" ou toute autre expression similaire utilisée par nous ne représente que un estimation des économies que vous pourrait bénéficier de acheter certains outils avec nous par rapport aux majors grandes marques et fait ne veut pas nécessairement dire couvrir tout catégories d' outils offert par nous . Toi sont Nous vous rappelons de vérifier attentivement lorsque vous sont placement un commander avec nous si tu sont en fait, j'économise à moitié dedans comparaison avec le top majeur marques.

VEVOR®

TOUGH TOOLS, HALF PRICE

Mounted Cat Shelf

Modèle : SSGQK-04



BESOIN AIDE? CONTACTEZ-NOUS!

Avoir produit des questions? Besoin technique soutien? S'il te plaît sentir gratuit contacter nous :

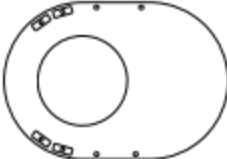
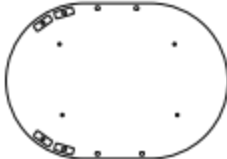



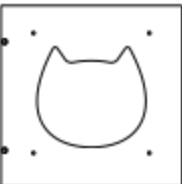
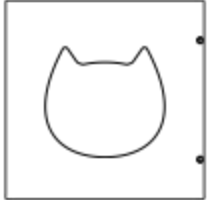


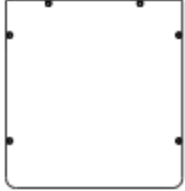
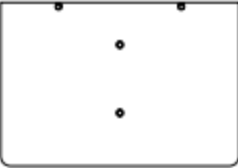
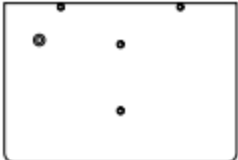
Technique support et certificat de garantie
électronique www.vevor.com/support

Ce est le original instruction , s'il te plaît lire tous manuel instructions soigneusement avant de l'utiliser. Réserves VEVOR un clair interprétation de nôtre Manuel de l'Utilisateur . Le apparence de le le produit doit être soumis à le produit vous reçu . s'il te plaît, pardonne nous que nous ne vous informerons pas encore si il existe une technologie ou un logiciel mises à jour sur notre produit.

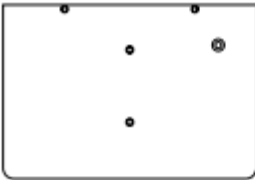


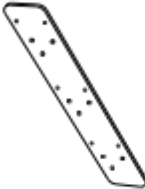
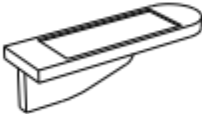

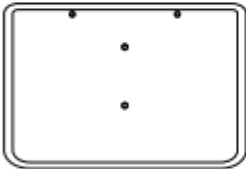







CARACTÉRISTIQUES

| | |
|---------|----------|
| Modèle | SSGQK-04 |
| Couleur | Nature |

COMPOSANTS

| | | |
|---|---|--|
|  A x 1 |  B x 1 |  C x 1 |
|  D x 1 |  E x 4 |  F x 1 |
|  G x 1 |  H x 1 |  I x 1 |
|  J x 1 |  K x 2 |  L x 1 |
| * each set of products is equipped with screwdrivers and wrenches | | |

COMPONENTS

| | | |
|---|---|---|
|  <p>M x 1</p> |  <p>N x 4</p> |  <p>O x 4</p> |
| <p>(A symmetrical pair)</p>  <p>P x 2</p> |  <p>Q x 6</p> |  <p>R x 1</p> |
| <p>(Loop-pile mat)</p>  <p>S x 4</p> | <p>(Loop-pile mat)</p>  <p>T x 1</p> | <p>(Loop-pile mat)</p>  <p>U x 1</p> |
|  <p>V x 36</p> | <p>(M6*40) (M4*70)</p>   <p>W x 82 X x 36</p> | <p>(M8*35)</p>   <p>Y x 2 Z x 2</p> |
| <p>* each set of products is equipped with screwdrivers and wrenches</p> | | |

Assembly Instructions

TIPS:

1. The number of screws marked above is the actual number used during installation. When the product is shipped, 1~3 more screws of each type will be given as spares.
2. During the use of the product, children are prohibited from approaching without the company of adults.
3. The edge of the product is a bit sharp, and you need to wear gloves for installation; at the same time, it comes with sandpaper, so you can polish the edge again by yourself; without gloves, be careful when touching the running wheel.
4. Do not tighten the installation screws at once. Tighten the installation screws twice after all screws are aligned
5. It is recommended that two or more people install the device



6. Please use the following tools to install



Tape measure



Scissors



Marker pen



screwdriver



Electric drill

Please mark the position on the wall against the plate, reserve about 30cm distance between the jump platforms, drill the hole and bury the expansion tube
(A 6mm drill bit is used for solid walls and a yellow expansion tube is embedded; a 9mm drill bit is used for hollow walls and a butterfly expansion tube is embedded)

Expansion solenoid



Butterfly solenoid

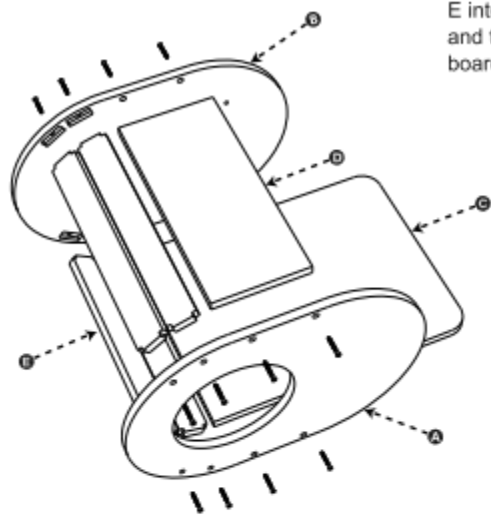


M4*70

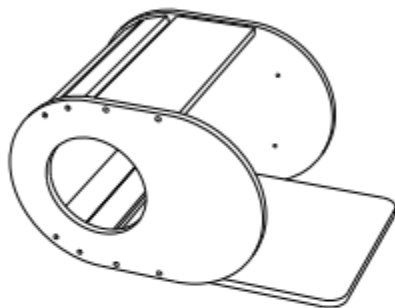


Assembly Instructions

STEP 1

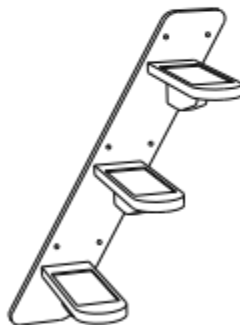
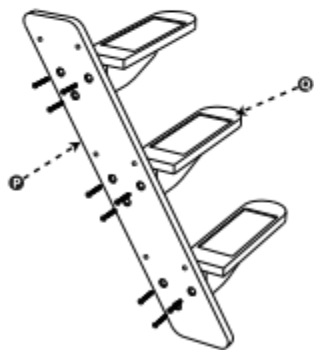


As shown in the figure, insert the wooden stick E into the wooden board A and fix it with screws, and then fix the wooden stick C and the wooden board D with screws on the wooden board A.



Finally, put the board B on and fix it with screws, and the individual components are installed.

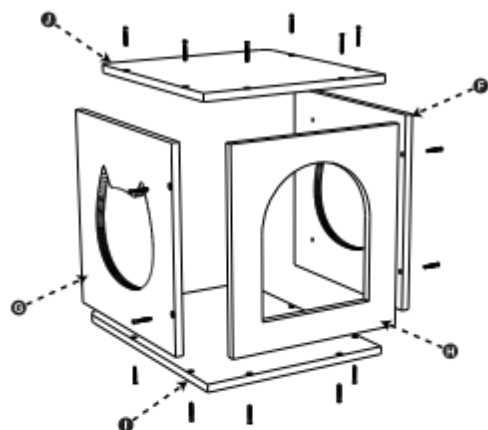
STEP 2



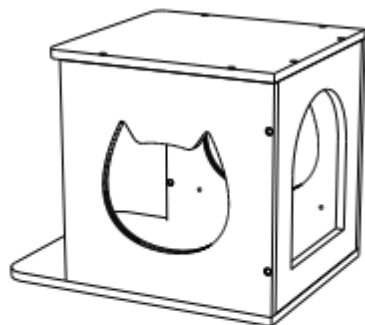
As shown, fix the plank P and part Q together with screws, and repeat this step to install another set of components.

Assembly Instructions

STEP 3

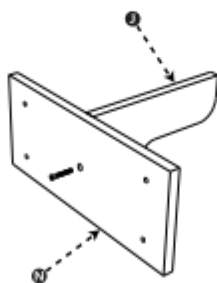


As shown in the figure, first board F, G, H are installed and fixed on board 1 with screws;

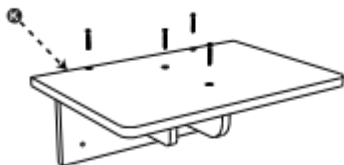


Then put the plank J on and fix it with screws, and the installation of a single component is completed.

STEP 4



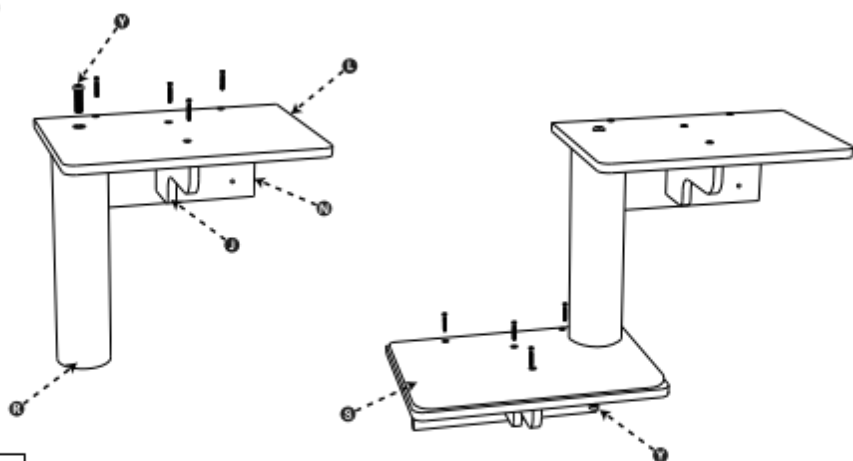
As shown in the figure, first assemble the plank J and plank N together, and then fix the plank K together with screws;



Then repeat this step to install another set of components.

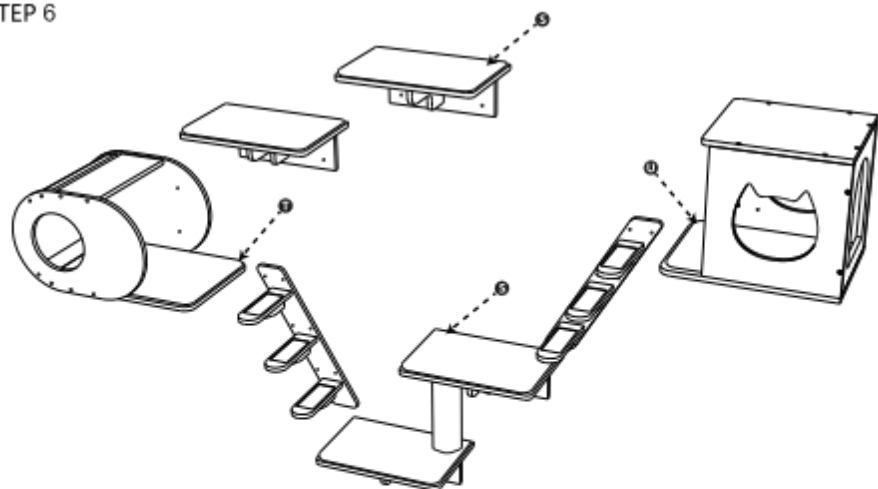
Assembly Instructions

STEP 5



As shown in the figure, install the sisal column R and the corresponding component together with screw Y, then paste the adhesive Z on the other component, then paste the mat S, and finally fix it with screws.

STEP 6



As shown in the figure, paste the corresponding mat with adhesive Z, and finally use screw X to fix it on the wall.

(The installation distance of each component should be within 30cm)

Address: Shuangchenglu 803nong11hao1602A-1609shi, baoshanqu, shanghai 200000 CN.

Imported to AUS: SIHAO PTY LTD, 1 ROKEVA STREETEASTWOOD NSW 2122 Australia

Imported to USA: Sanven Technology Ltd.Suite 250, 9166 Anaheim Place, Rancho Cucamonga, CA 91730



E-CrossStu GmbH.

Mainzer Landstr.69, 60329 Frankfurt am Main.



YH CONSULTING LIMITED.

C/O YH Consulting Limited Office 147, Centurion House,
London Road, Staines-upon-Thames, Surrey, TW18 4AX.

VEVOR[®]

TOUGH TOOLS, HALF PRICE

Assistance technique et Certificat de
garantie électronique Www.vevor.com/support



Technisch ondersteuning en E-garantiecertificaat Www.vurig.com/ondersteuning

Gemonteerde kattenplank Ins tallatie Instructies

wij blijven doorgaan zijn vastberaden om je gereedschap aanreiken competitief prijs.

"redden Half", "Helft van de prijs" of andere soortgelijke gebruikte uitdrukkingen door ons alleen vertegenwoordigt een schatting van uw besparing zou baat kunnen hebben bij m bepaalde gereedschappen kopen ons vergeleken met de majoor topmerken en doet niet noodzakelijkerwijs de bedoeling bedek alles categorieën van gereedschap s aangeboden door ons . Jij

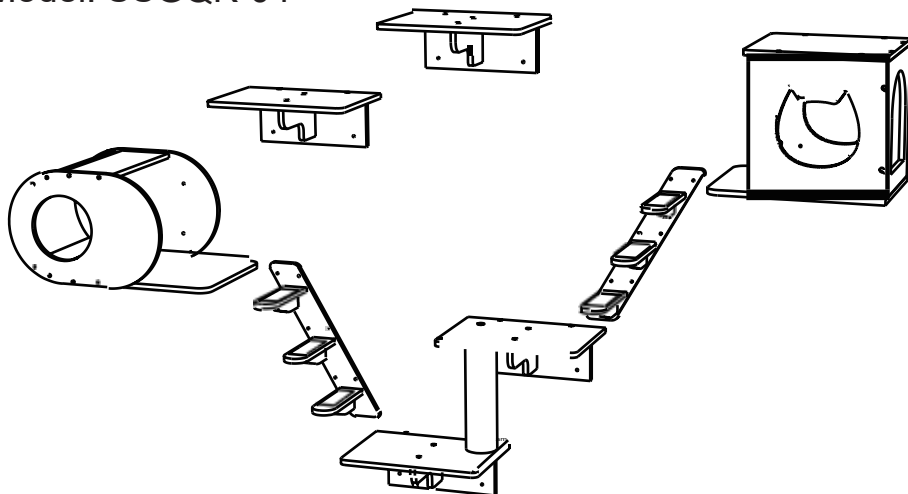
Zijn vriendelijk eraan herinnerd om zorgvuldig te verifiëren wanneer u Zijn plaatsen een bestellen bij ons als jij Zijn daadwerkelijk besparen helft binnen Vergelijking met de hoogste major merken.

VEVOR®

TOUGH TOOLS, HALF PRICE

Mounted Cat Shelf

Model: SSGQK-04



**BEHOEFTE HULP? NEEM CONTACT MET
ONS OP!**

Hebben Product vragen? Behoeftte technisch steun? Alsjeblieft
gevoel vrij contact opnemen ons :

Technisch ondersteuning en E-warranty-
certificaat www.vevor.com/ondersteuning

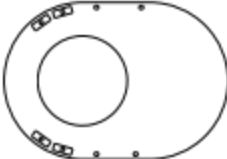
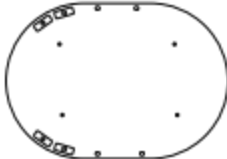



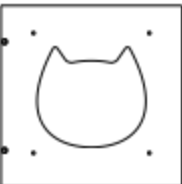
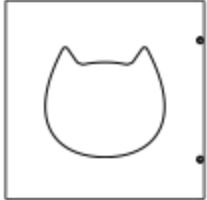


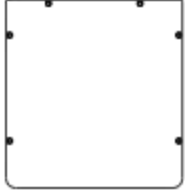
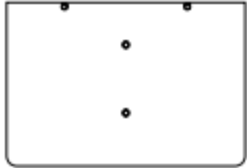
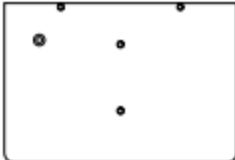
Dit is de origineel instructie , Alsjeblieft lezen alle handmatig instructies
zorgvuldig voordat u ermee aan de slag gaat. VEVOR- reserves A
duidelijk interpretatie van onze handleiding . De de verschijning van de
product zal onderwerp zijn naar de
product jij ontvangen . vergeef me alsjeblieft ons dat wij u niet zullen
informerer opnieuw als er is enige technologie of software updates op

ons product.

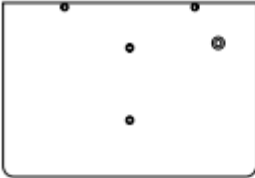


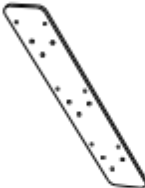
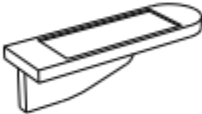

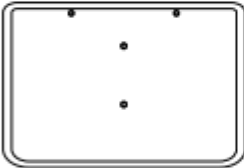


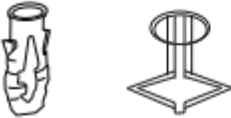




SPECIFICATIES

| | |
|-------|----------|
| Model | SSGQK-04 |
| Kleur | Natuur |

COMPONENTEN

| | | |
|---|---|--|
|  <p>A x 1</p> |  <p>B x 1</p> |  <p>C x 1</p> |
|  <p>D x 1</p> |  <p>E x 4</p> |  <p>F x 1</p> |
|  <p>G x 1</p> |  <p>H x 1</p> |  <p>I x 1</p> |
|  <p>J x 1</p> |  <p>K x 2</p> |  <p>L x 1</p> |
| <p>* each set of products is equipped with screwdrivers and wrenches</p> | | |

COMPONENTS

| | | |
|---|---|---|
|  <p>M x 1</p> |  <p>N x 4</p> |  <p>O x 4</p> |
| <p>(A symmetrical pair)</p>  <p>P x 2</p> |  <p>Q x 6</p> |  <p>R x 1</p> |
| <p>(Loop-pile mat)</p>  <p>S x 4</p> | <p>(Loop-pile mat)</p>  <p>T x 1</p> | <p>(Loop-pile mat)</p>  <p>U x 1</p> |
|  <p>V x 36</p> | <p>(M6*40) (M4*70)</p>   <p>W x 82 X x 36</p> | <p>(M8*35)</p>   <p>Y x 2 Z x 2</p> |
| <p>* each set of products is equipped with screwdrivers and wrenches</p> | | |

Assembly Instructions

TIPS:

1. The number of screws marked above is the actual number used during installation. When the product is shipped, 1~3 more screws of each type will be given as spares.
2. During the use of the product, children are prohibited from approaching without the company of adults.
3. The edge of the product is a bit sharp, and you need to wear gloves for installation; at the same time, it comes with sandpaper, so you can polish the edge again by yourself; without gloves, be careful when touching the running wheel.
4. Do not tighten the installation screws at once. Tighten the installation screws twice after all screws are aligned
5. It is recommended that two or more people install the device



6. Please use the following tools to install



Tape measure



Scissors



Marker pen



screwdriver



Electric drill

Please mark the position on the wall against the plate, reserve about 30cm distance between the jump platforms, drill the hole and bury the expansion tube
(A 6mm drill bit is used for solid walls and a yellow expansion tube is embedded; a 9mm drill bit is used for hollow walls and a butterfly expansion tube is embedded)

Expansion solenoid



Butterfly solenoid

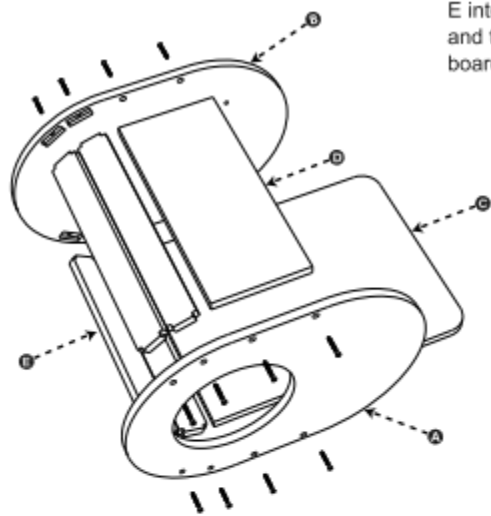


M4*70

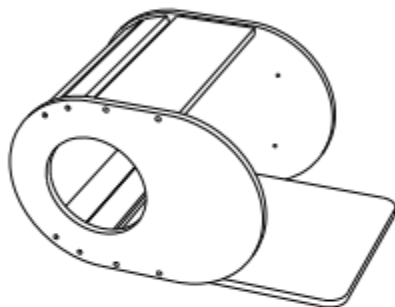


Assembly Instructions

STEP 1

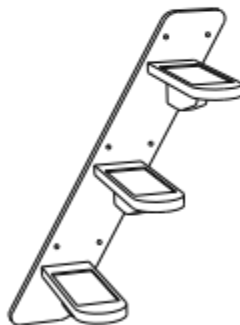
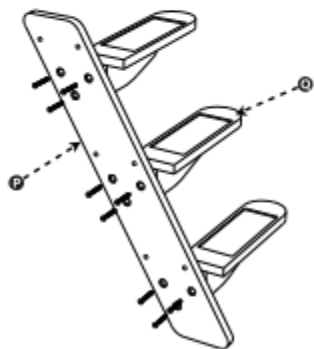


As shown in the figure, insert the wooden stick E into the wooden board A and fix it with screws, and then fix the wooden stick C and the wooden board D with screws on the wooden board A.



Finally, put the board B on and fix it with screws, and the individual components are installed.

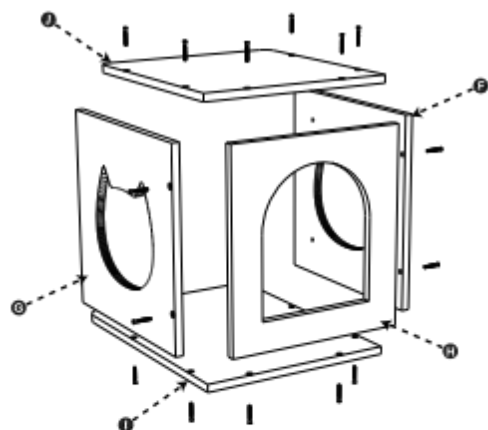
STEP 2



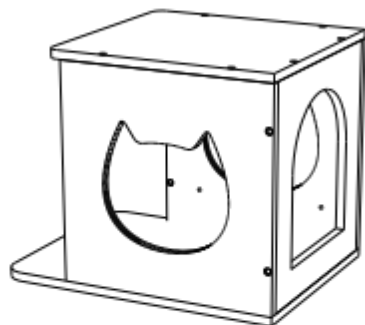
As shown, fix the plank P and part Q together with screws, and repeat this step to install another set of components.

Assembly Instructions

STEP 3

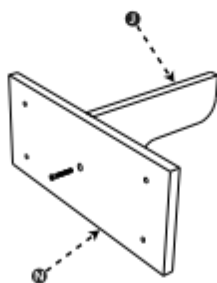


As shown in the figure, first board F, G, H are installed and fixed on board 1 with screws;

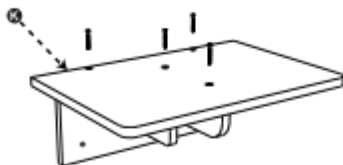


Then put the plank J on and fix it with screws, and the installation of a single component is completed.

STEP 4



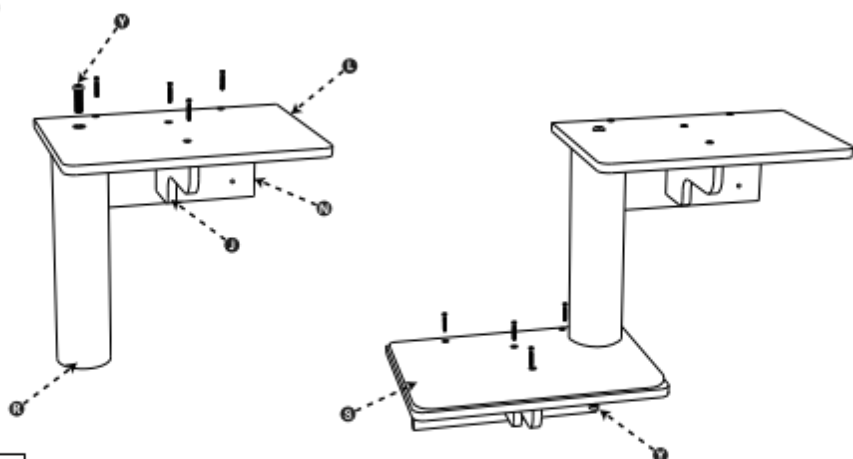
As shown in the figure, first assemble the plank J and plank N together, and then fix the plank K together with screws;



Then repeat this step to install another set of components.

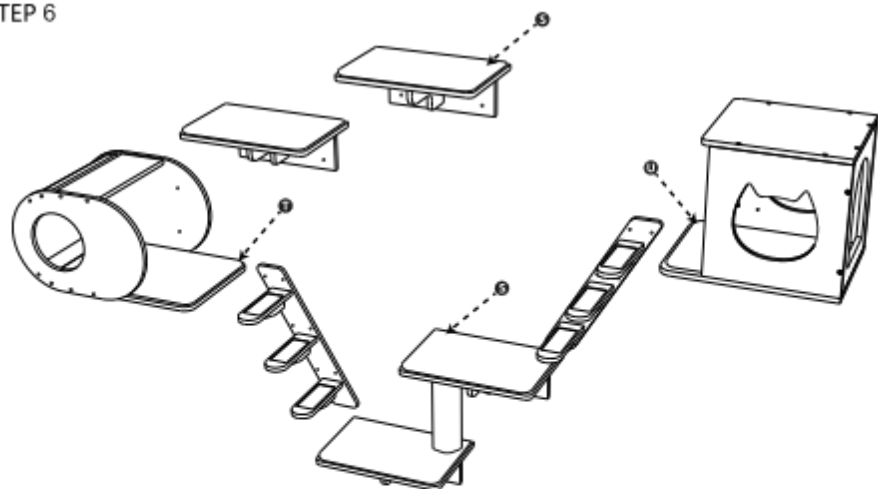
Assembly Instructions

STEP 5



As shown in the figure, install the sisal column R and the corresponding component together with screw Y, then paste the adhesive Z on the other component, then paste the mat S, and finally fix it with screws.

STEP 6



As shown in the figure, paste the corresponding mat with adhesive Z, and finally use screw X to fix it on the wall.

(The installation distance of each component should be within 30cm)

Address: Shuangchenglu 803nong11hao1602A-1609shi, baoshanqu, shanghai 200000 CN.

Imported to AUS: SIHAO PTY LTD, 1 ROKEVA STREETEASTWOOD NSW 2122 Australia

Imported to USA: Sanven Technology Ltd.Suite 250, 9166 Anaheim Place, Rancho Cucamonga, CA 91730



E-CrossStu GmbH.

Mainzer Landstr.69, 60329 Frankfurt am Main.



YH CONSULTING LIMITED.

C/O YH Consulting Limited Office 147, Centurion House,
London Road, Staines-upon-Thames, Surrey, TW18 4AX.

VEVOR®

TOUGH TOOLS, HALF PRICE

Technische ondersteuning en E-
garantiecertificaat Www.vevor.com/ondersteuning



Teknisk stöd och E-garantibevis [Www.vevor.se/support](http://www.vevor.se/support)

Monterad kathylla Installation Instruktioner

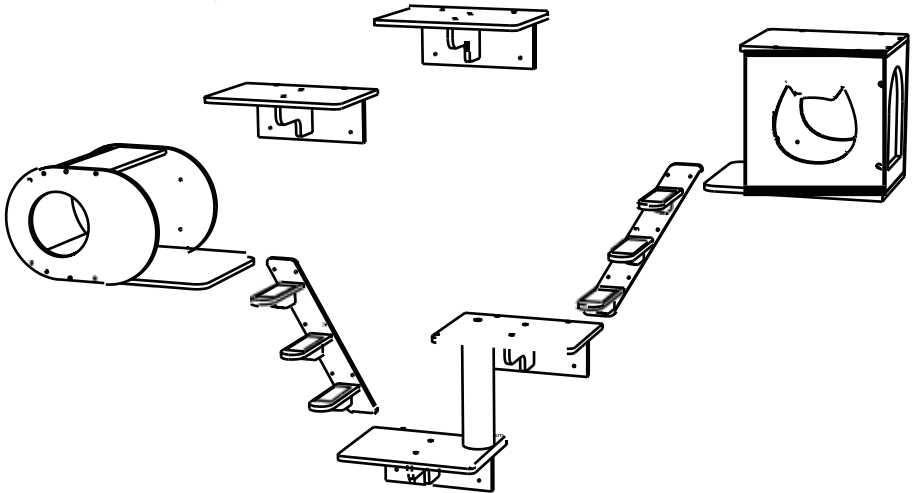
vi fortsätter att vara åtagit sig att förse dig med verktyg tävlande pris. "spara Halv", "Halva priset" eller andra liknande uttryck som används av oss representerar endast en uppskattning av dina besparingar kan dra nytta av m köpa vissa verktyg med oss jämfört med majoren toppmärken och gör inte nödvändigtvis menat täcka alla kategorier av verktyg s erbjuds av oss. Du är vänligen påmind om att kontrollera noggrant när du är placering en beställa med oss om du är faktiskt sparar hälften in jämförelse med högsta majoren märken.

VEVOR®

TOUGH TOOLS, HALF PRICE

Mounted Cat Shelf

Modell: SSGQK-04



BEHÖVER HJÄLP? KONTAKTA OSS!

Ha produkt frågor? Behöver teknisk Stöd? Snälla du känna fri kontakta oss :

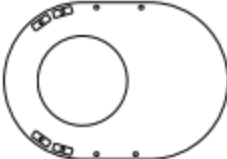
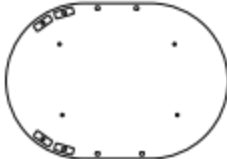



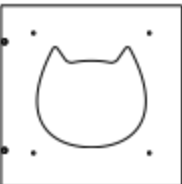
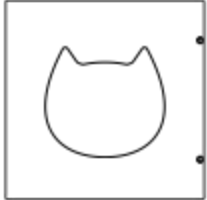


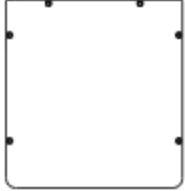
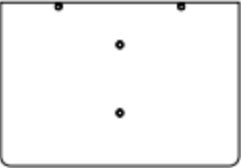
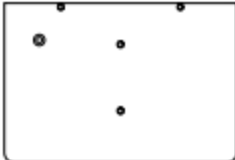
Teknisk support och e- garanticertifikat
www.vevor.se/support

Detta är de original instruktion , snälla du läsa Allt manuell instruktioner noggrant innan användning. VEVOR reserver a klar tolkning av vår användarmanual . De såg ut som de produkt t ska vara föremål till de produkt dig mottagen . snälla förlåt oss att vi inte kommer att informera dig igen om det finns någon teknik eller programvara uppdateringar på vår produkt.

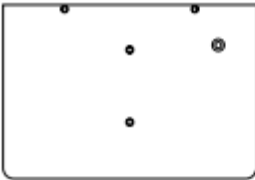


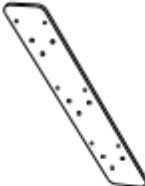
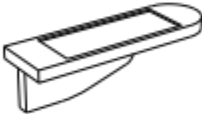

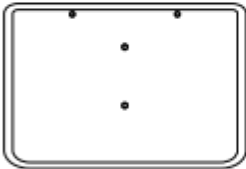







SPECIFIKATIONER

| | |
|--------|----------|
| Modell | SSGQK-04 |
| Färg | Natur |

KOMPONENTER

| | | |
|---|---|--|
|  A x 1 |  B x 1 |  C x 1 |
|  D x 1 |  E x 4 |  F x 1 |
|  G x 1 |  H x 1 |  I x 1 |
|  J x 1 |  K x 2 |  L x 1 |
| * each set of products is equipped with screwdrivers and wrenches | | |

COMPONENTS

| | | |
|---|---|---|
|  <p>M x 1</p> |  <p>N x 4</p> |  <p>O x 4</p> |
| <p>(A symmetrical pair)</p>  <p>P x 2</p> |  <p>Q x 6</p> |  <p>R x 1</p> |
| <p>(Loop-pile mat)</p>  <p>S x 4</p> | <p>(Loop-pile mat)</p>  <p>T x 1</p> | <p>(Loop-pile mat)</p>  <p>U x 1</p> |
|  <p>V x 36</p> | <p>(M6*40) (M4*70)</p>   <p>W x 82 X x 36</p> | <p>(M8*35)</p>   <p>Y x 2 Z x 2</p> |
| <p>* each set of products is equipped with screwdrivers and wrenches</p> | | |

Assembly Instructions

TIPS:

1. The number of screws marked above is the actual number used during installation. When the product is shipped, 1~3 more screws of each type will be given as spares.
2. During the use of the product, children are prohibited from approaching without the company of adults.
3. The edge of the product is a bit sharp, and you need to wear gloves for installation; at the same time, it comes with sandpaper, so you can polish the edge again by yourself; without gloves, be careful when touching the running wheel.
4. Do not tighten the installation screws at once. Tighten the installation screws twice after all screws are aligned
5. It is recommended that two or more people install the device



6. Please use the following tools to install



Tape measure



Scissors



Marker pen



screwdriver



Electric drill

Please mark the position on the wall against the plate, reserve about 30cm distance between the jump platforms, drill the hole and bury the expansion tube
(A 6mm drill bit is used for solid walls and a yellow expansion tube is embedded; a 9mm drill bit is used for hollow walls and a butterfly expansion tube is embedded)

Expansion solenoid



Butterfly solenoid

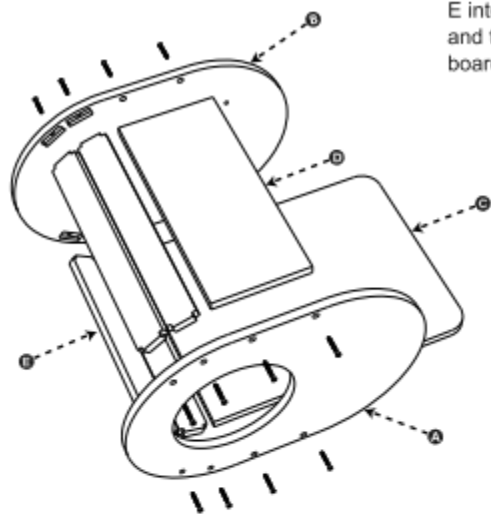


M4*70

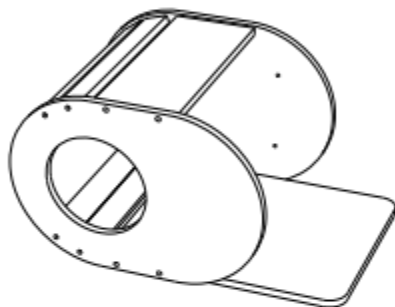


Assembly Instructions

STEP 1

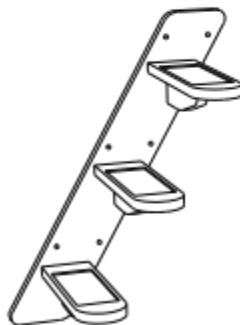
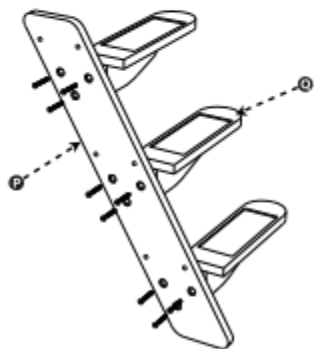


As shown in the figure, insert the wooden stick E into the wooden board A and fix it with screws, and then fix the wooden stick C and the wooden board D with screws on the wooden board A.



Finally, put the board B on and fix it with screws, and the individual components are installed.

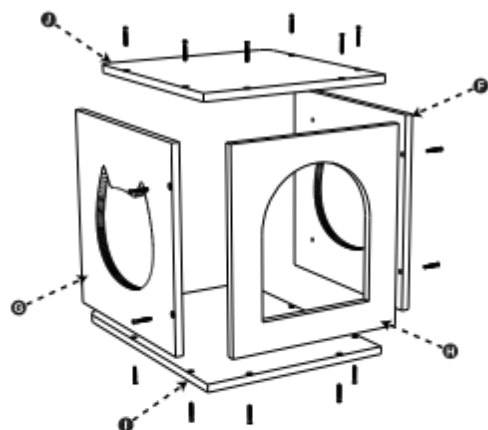
STEP 2



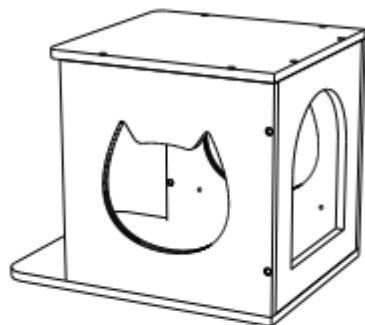
As shown, fix the plank P and part Q together with screws, and repeat this step to install another set of components.

Assembly Instructions

STEP 3

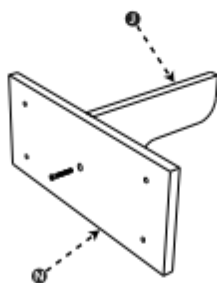


As shown in the figure, first board F, G, H are installed and fixed on board 1 with screws;

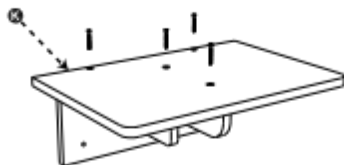


Then put the plank J on and fix it with screws, and the installation of a single component is completed.

STEP 4



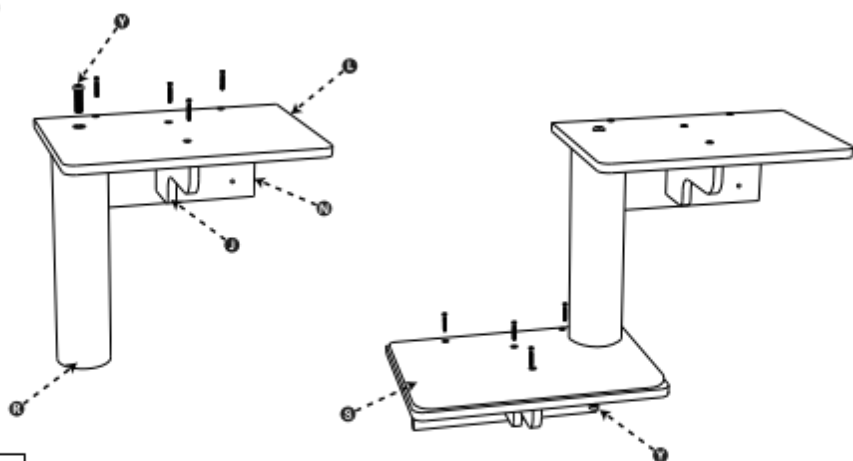
As shown in the figure, first assemble the plank J and plank N together, and then fix the plank K together with screws;



Then repeat this step to install another set of components.

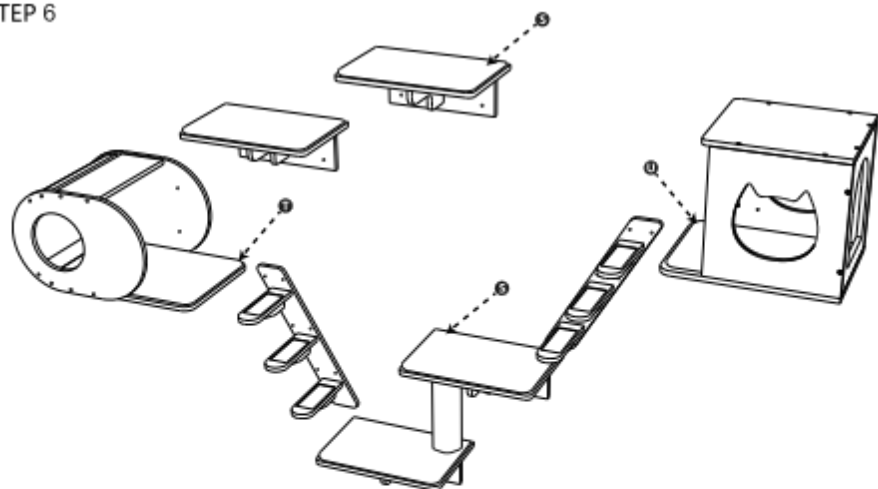
Assembly Instructions

STEP 5



As shown in the figure, install the sisal column R and the corresponding component together with screw Y, then paste the adhesive Z on the other component, then paste the mat S, and finally fix it with screws.

STEP 6



As shown in the figure, paste the corresponding mat with adhesive Z, and finally use screw X to fix it on the wall.

(The installation distance of each component should be within 30cm)

Address: Shuangchenglu 803nong11hao1602A-1609shi, baoshanqu, shanghai 200000 CN.

Imported to AUS: SIHAO PTY LTD, 1 ROKEVA STREETEASTWOOD NSW 2122 Australia

Imported to USA: Sanven Technology Ltd.Suite 250, 9166 Anaheim Place, Rancho Cucamonga, CA 91730



E-CrossStu GmbH.

Mainzer Landstr.69, 60329 Frankfurt am Main.



YH CONSULTING LIMITED.

C/O YH Consulting Limited Office 147, Centurion House,
London Road, Staines-upon-Thames, Surrey, TW18 4AX.

VEVOR[®]

TOUGH TOOLS, HALF PRICE

Teknisk support och E- garanticertifikat
www.vevor.se/support