

SENCOR®

SOC 3200SL
SOC 3210SL

SOC 3311BK
SOC 3312WH



EN ■ Electric Sonic Toothbrush

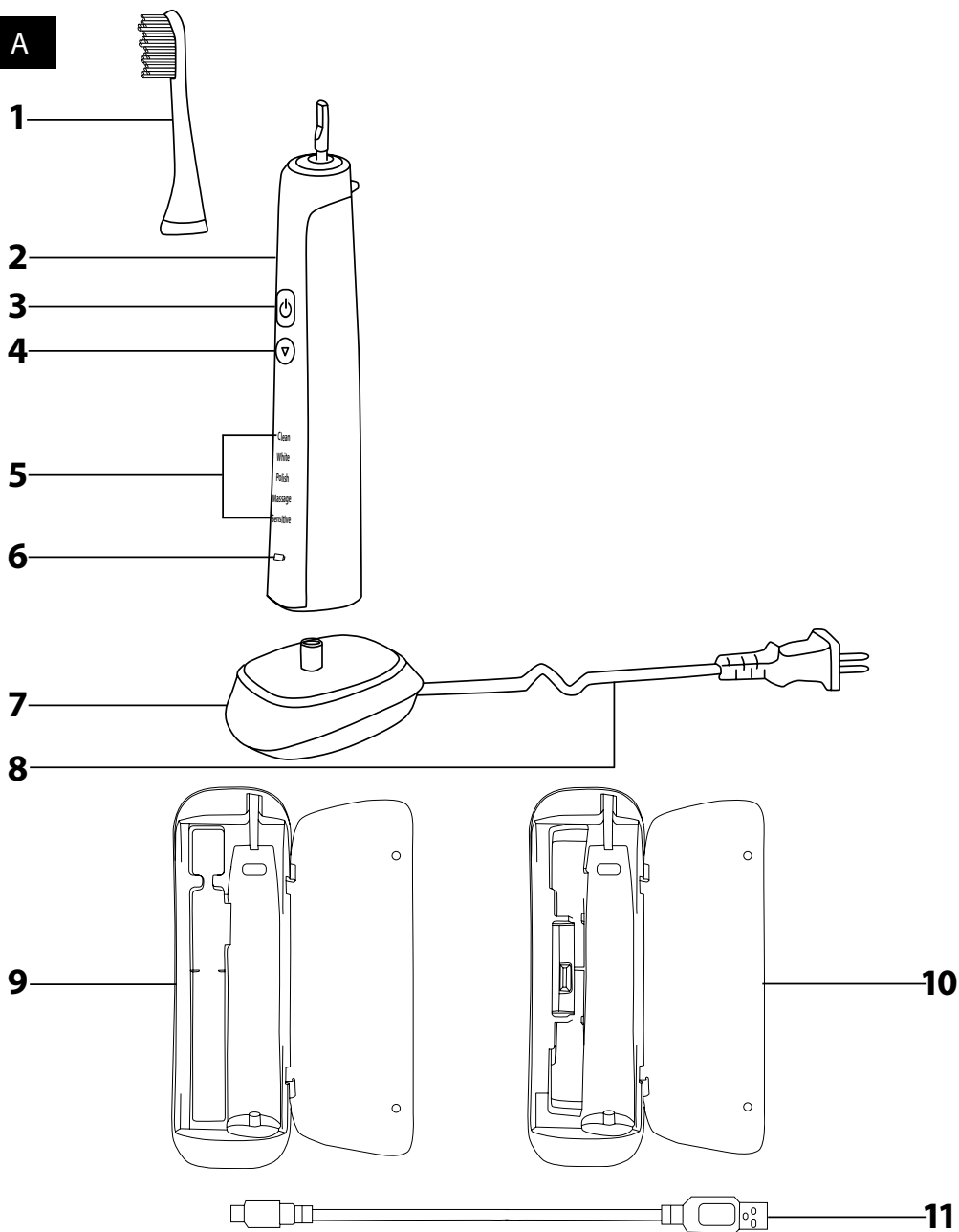
Translation of the original manual

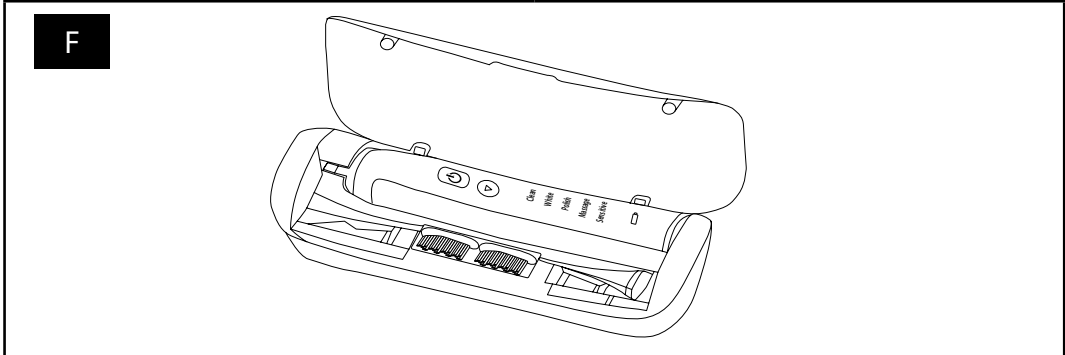
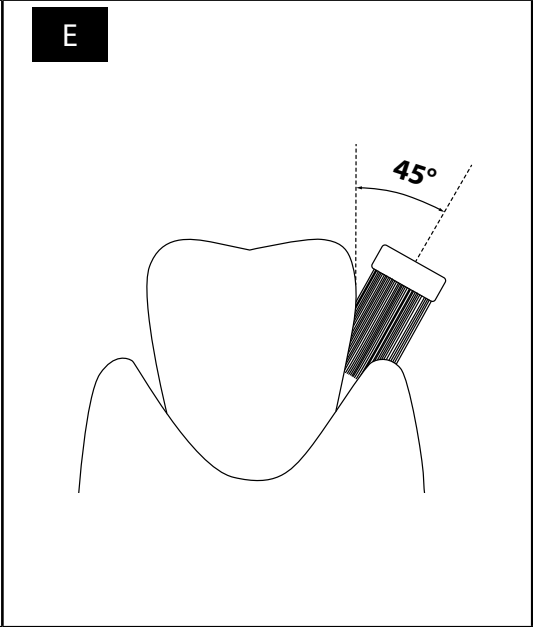
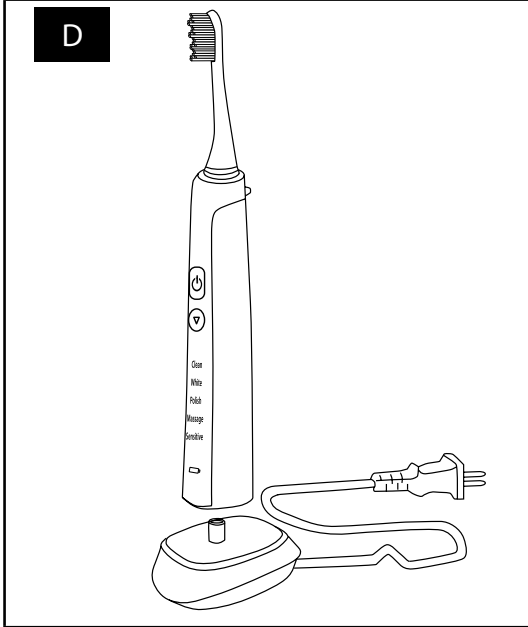
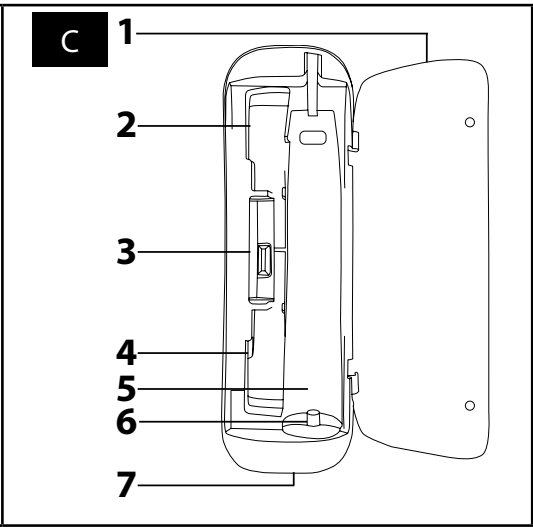
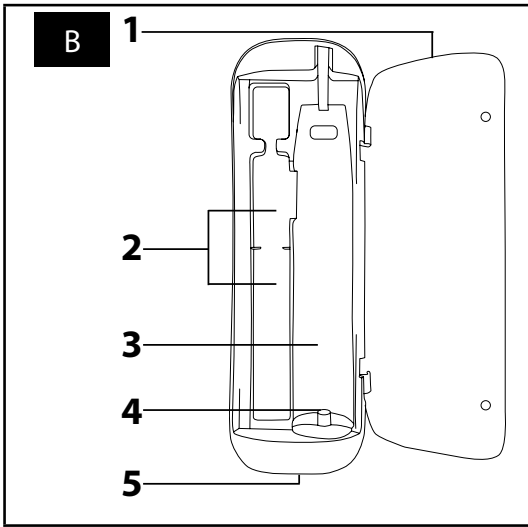
READ CAREFULLY AND STORE FOR FUTURE USE.

- Toothbrushes may be used by children and persons with reduced physical or mental capabilities or with a lack of experience and knowledge, if they are supervised or have been instructed to use the appliance in a safe manner and understand the potential dangers.
- Children must not play with the appliance. Cleaning and maintenance performed by the user must not be performed by unsupervised children.
- In the event that the power cord is damaged, have it repaired at a professional service centre to prevent causing a dangerous situation. It is forbidden to use the appliance if it has a damaged power cord.
- The parts of the appliance that need to be mounted or stood upright, must be mounted or stood upright in such a way that they cannot fall into water.
- The appliance must only be powered using a small safe voltage corresponding to the markings on the appliance.
- To charge the toothbrush, only use the original charging stand or the travel charger case set with USB cable supplied with it. Never use non-original accessories. Before connecting the charging stand to a power socket, make sure the voltage stated on its rating label corresponds to the voltage in your power socket. The charging case is to be charged using an external 5 V $\overline{=}$ USB interface.
- This toothbrush serves to clean teeth and gums. Do not use it for purposes other than those for which it was designed.
- Do not expose the toothbrush or its accessories to the effects of the outdoor environment, extreme temperatures, direct sunlight or locate it in the vicinity of an open flame, heating elements and other equipment or appliances that could be potential sources of heat.
- Always locate the charging stand on an even and stable surface.
- In the event that the charging stand is submerged in water, first disconnect it from the power socket and only then take it out of the water and dry it out thoroughly.

- Protect the travel charger case against the entry of water. Do not place it in the vicinity of vessels filled with water, e.g. sinks, baths, etc., do not spray it with water, submerge it in water or wash it under running water.
- Keep the power cord plug of the charging stand and the USB cable dry.
- Charge, use and keep the toothbrush at room temperature. Do not submerge it in hot water.
- The travel case, which is fitted with a sterilisation chamber, has a UV lamp that heats up during the sterilisation process. As a result of residual heat, the UV lamp remains hot for a certain time after the sterilisation process has finished. Do not touch the hot surface. Ensure that the ventilation opening of the sterilisation chamber is not blocked during the sterilisation process.
- Allow the UV lamp to cool down for at least 10 minutes between individual sterilisation cycles.
- Do not use the travel case with the sterilisation chamber when the UV lamp remains lit even after the lid is opened, when the UV lamp is damaged or when smoke is coming out of the lamp or when there is a burning smell. UV radiation is damaging to human eye sight and skin. Keep the sterilisation case with sterilisation chamber out of children's reach.
- For hygiene reasons, a toothbrush head should be used by only a single user. Regularly replace the toothbrush head every 3 months or sooner if it shows signs of wear. Use only original replacement toothbrush heads.
- When the toothbrush is used by children, supervise them while they are brushing their teeth until they acquire the proper tooth brushing technique.
- In the event that dental work or oral surgery was performed in the past two months, consult the use of a sonic toothbrush with your dentist.
- In the event that gum bleeding occurs when the toothbrush is used and if bleeding does not stop even after a week of its use, contact your dentist.
- In the event that using the toothbrush causes unpleasant or painful feelings, stop using the toothbrush and consult this situation with your dentist.
- In the event that you have a pacemaker or another implanted device, consult the use of the toothbrush with your doctor or manufacturer of the implant.
- Perform cleaning and maintenance according to the instructions in chapter Cleaning and maintenance. Do not wash the toothbrush or its accessories in a dishwasher.
- Disconnect the charging stand from the power socket by gently pulling the plug of the power cord, and not the power cord itself. Otherwise, this could damage the power cord or the socket.
- Do not make any modifications to the toothbrush or its accessories.
- In the event that the toothbrush, charging stand, charging stand power cord, travel charger case, UV lamp or the USB cable are damaged in any way, do not use it. A damaged travel charger case or USB cable must always be replaced with an original type. The power cord on the charging stand cannot be replaced. In the event that it is damaged, the charging stand must be disposed of and replaced with an original type. For replacement of damaged accessories and for all repairs of the toothbrush, contact an authorised service centre. Do not repair the toothbrush yourself. By tampering with the product you risk voiding your legal rights arising from unsatisfactory performance or quality warranty.

A





EN Electric Sonic Toothbrush

User's manual

- Prior to using this appliance, please read the user's manual thoroughly, even in cases, when one has already familiarised themselves with previous use of similar types of appliances. Only use the appliance in the manner described in this user's manual. Keep this user's manual in a safe place where it can be easily retrieved for future use.
- We recommend saving the original cardboard box, packaging material, purchase receipt and responsibility statement of the vendor or warranty card for at least the duration of the legal liability for unsatisfactory performance or quality. In the event of transportation, we recommend that you pack the appliance in the original box from the manufacturer.

DESCRIPTION OF THE TOOTHBRUSH AND ITS ACCESSORIES

A1 Toothbrush head*	A7 Charging stand
A2 Ergonomically-shaped handle	A8 Power cord
A3 On/Off button of the toothbrush	A9 Travel charger case without sterilisation chamber
A4 Button for setting the brushing mode Depending on the selected mode, the speed is set to 31 000, 41 000 or 48 000 vibrations per second.	A10 Travel charger case with sterilisation chamber
A5 Brushing mode setting LED indicators	Supplied with model SOC 32105L, SOC 3311BK and SOC 3312WH.
A6 Operation or charging of the toothbrush LED indicator	A11 USB cable



*Note:

2 toothbrush heads are included.

DESCRIPTION OF THE TRAVEL CASE WITHOUT STERILISATION CHAMBER

B1 Lid	B3 Toothbrush handle storage space
B2 Toothbrush head storage space One or two toothbrush heads can be stored in this space.	B5 USB micro port
	B4 Charging unit

DESCRIPTION OF THE TRAVEL CASE WITH STERILISATION CHAMBER

C1 Lid	C5 Toothbrush handle storage space
C2 Toothbrush head storage space	C6 Charging unit
C3 Sterilisation chamber	C7 USB micro port
C4 Toothbrush head storage space	

ATTACHING AND REMOVING THE TOOTHBRUSH HEAD

- Make sure that the toothbrush is turned off before attaching or removing a toothbrush head **A1**.
- Attach the toothbrush head **A1** by sliding it on to the handle **A2** from above.
- Take off the toothbrush head **A1** by pulling it away from the handle **A2**.

CHARGING THE TOOTHBRUSH

- This toothbrush has a built-in Li-Ion battery that enables cordless operation.
- Make sure that the toothbrush is turned off before charging it.

1. IN THE CHARGING STAND

- Locate the charging stand **A7** on an even and stable surface and plug the power cord **A8** into a power socket (100–240V).
- Put the toothbrush on to the stand **A7** from above, see figure D. When charging, LED indicator **A6** is lit red and LED indicators **A5** gradually light up and turn off. When the battery is fully charged, the LED indicator **A6** will be lit blue and LED indicators **A5** will turn off. After charging, disconnect the charging stand **A7** from the power socket.



Note:

Allow the toothbrush to charge for at least 15 hours before first use and after not using it for a long time.

If you are charging the toothbrush for the first time or if you have not used it for a long time, it may take up to 10 minutes before the LED indicator **A6** lights up.

- A fully charged toothbrush will provide approximately 180 hours of operation. If you brush your teeth twice a day for 2 minutes, the toothbrush will last for 45 days without needing to be recharged.

2. IN THE TRAVEL CHARGER CASE

- Place the travel case **A9** or **A10** on a dry even surface. Open the lid **B1** or **C1** and insert the toothbrush handle **A2** into space **B3** or **C5** so that the end of the charging unit **B4** or **C6** slides into the toothbrush handle **A2**. The lid **B1** or **C1** may be left open or it may be closed.
- To supply power to the charger case **A9** or **A10** from an external USB interface, e.g. your computer, powerbank, etc., connect the USB micro port **B5** or **C7** to an external USB interface using USB cable **A11**.

- When the travel case **A9** or **A10** is connected to a charging power source, the charging process will start. With travel case **A10**, which is fitted with a sterilisation chamber **C3**, you may sterilise the toothbrush head **A1** during the charging process. Sterilisation may only be performed with the lid **C1** closed. More detailed information about using the sterilisation chamber **C3** is provided in chapter Toothbrush head sterilisation.
- After finishing charging, disconnect the travel case **A9** or **A10** from the external USB interface.

HOW TO ACHIEVE THE LONGEST POSSIBLE BATTERY LIFETIME

To ensure the longest possible lifetime of the battery, we recommend:

- store, use and charge the battery at room temperature. Excessively high temperatures may negatively affect its lifetime.
- do not unnecessarily leave the battery fully charged or completely flat for too long.
- do not keep the battery permanently fully charged.
- do not fully discharge the battery.

USING THE TOOTHBRUSH

- Make sure that the toothbrush is properly assembled before using it. Wet the toothbrush bristles with water and apply the toothpaste. Turn on the toothbrush by pressing button **A3**.

1. CORRECT BRUSHING TECHNIQUE

- We recommend to start by brushing the right half of the upper dental arch from the outer side. When brushing, proceed from back to front. Place the toothbrush bristles on to the teeth at an angle of 45° in line with the gum, see figure E. Using short slow motions, move the toothbrush to the other teeth. Once the outer side of the upper right dental arch is brushed, move the toothbrush to the inner side of the dental arch. Again, proceed from back to front. Adjust the toothbrush angle to the tooth arrangement. When brushing the inner side of the front teeth, hold the toothbrush handle **A2** vertical so that the tip of the toothbrush head **A1** points upwards. Finally, brush the upper tooth surfaces.
- In the same way, brush the right half of the lower dental arch, the left half of the lower dental arch and finally also the left half of the upper dental arch. When brushing the inner side of the front teeth of the lower dental arch, hold the toothbrush handle **A2** vertical so that the tip of the toothbrush head **A1** points downwards.

2. SETTING UP THE BRUSHING MODE

- Repeatedly press button **A4** to switch between the modes: CLEAN (standard brushing), WHITE (whitening), POLISH (polishing), MASSAGE (massaging) and SENSITIVE (gentle brushing). LED indicator **A6** is lit during operation. The mode setting is indicated by the respective LED indicator **A5**. The last setting is saved to memory. This means that the next time the toothbrush is started, it will run in the mode that was set previously.
- CLEAN mode is intended for standard tooth brushing. WHITE mode is intended for more intensive tooth brushing (whitening). POLISH mode is intended for tooth polishing. MASSAGE mode is a combination of tooth brushing and gum massaging. SENSITIVE mode is intended for brushing sensitive teeth.

3. APACER FUNCTION

- The toothbrush has a timer function that momentarily pauses the toothbrush every 30 seconds until it turns off automatically, thereby informing the user that it is time to start brushing the next part of your teeth. This will ensure that all the dental quadrants are brushed for the same amount of time.

4. AUTOMATIC SHUT-OFF TIMER

- The automatic shut-off timer automatically turns the toothbrush off after 2 minutes of operation. This is the tooth brushing time recommended by dentists for the sonic toothbrush.
- When the toothbrush is turned off, the LED indicators **A5** and **A6** will flash a few times and then turn off.

- When you have finished using it, make sure that the toothbrush is turned off and clean it according to the instructions contained in chapter Cleaning and maintenance. Then put it back on to the charging stand **A7** or into the case **A9** or **A10**. Before putting it into the case, it is necessary to remove the head **A1** from the toothbrush handle **A2**.

CLEANING AND MAINTENANCE

- For hygiene reasons, regularly clean the toothbrush after every use.
- Make sure that the toothbrush is turned off before cleaning it.
- Thoroughly rinse the toothbrush head **A1** under lukewarm running water to remove any toothpaste or other remains. If whitening pastes are used when brushing teeth, it is recommended to apply a drop of soap on to the toothbrush head **A1** and then thoroughly wash it under running lukewarm water. Remove the toothbrush head **A1** from the handle **A2** at least once per week and clean it under running water in the location where it is attached to the handle **A2**.
- Rinse the toothbrush handle **A2** under running lukewarm water and then dry it.
- In the event that the charging stand **A7** is soiled, wipe it with a clean dampened cloth and then wipe dry. Ensure that the power plug contacts do not come into contact with water or moisture.
- You may wipe the travel case **A9** or **A10** using a dry or a lightly dampened cloth and then dry it carefully. Do not spray the travel case **A9** or **A10** with water, do not rinse it under running water or submerge it in water.
- For cleaning, do not use abrasive cleaning products, thinners, etc. Otherwise the surface of the appliance may be damaged.

STERILISING THE TOOTHBRUSH HEAD

- You may sterilise the toothbrush head **A1** in the sterilisation chamber **C3** after every use. Put the toothbrush head into the space **C2** or **C4** so that the toothbrush bristles point towards the UV lamp, see figure F. Before sterilisation, it is necessary to thoroughly wash and dry the toothbrush head **A1**.
- Connect the travel case **A10** to a power source according to the instructions contained in the chapter Charging the toothbrush in the travel case and close the lid **C1**. When the lid **C1** is closed, the UV lamp will turn on and the sterilisation process will start. The sterilisation process will automatically stop after 8 minutes and the UV lamp will turn off. In the event that the lid **C1** is opened during the sterilisation process, the UV lamp will automatically turn off. When it is necessary to sterilise another toothbrush head **A1**, wait 10 minutes until the UV lamp cools down. To start another sterilisation process, again connect the USB cable **A10** to a power source and close the lid **C1**.
- Sterilisation may be performed at the same time as charging the toothbrush handle **A2**.
- UV radiation is damaging to human eye sight and skin. Do not use the travel case **A10** with the sterilisation chamber **C3** when the UV lamp remains lit even after the lid **C1** is opened, when the UV lamp is damaged or when smoke is coming out of the lamp or when there is a burning smell. Have the damaged UV lamp replaced at an authorised service centre.

REPLACING THE TOOTHBRUSH HEAD

- Regularly replace the toothbrush head **A1** every 3 months or sooner if it shows signs of wear. Use only original replacement toothbrush heads.
- Replacement toothbrush heads are available from your vendor both in online and brick&mortar stores.

STORAGE

- When not using the toothbrush for an extended period of time, disconnect the charging stand **A7** from the power socket and put the toothbrush into the case **A9** or **A10** in a dry, clean place.
- Store the case **A9** or **A10** with the toothbrush, the charging stand **A7** and the USB cable **A11** in a dry, clean place.

TECHNICAL SPECIFICATIONS

Toothbrush

Battery Li-Ion / 3.7 V / 800 mAh
Operating time when fully charged up to 180 minutes
Noise level 65 dB(A)
Protection class level against damaging entry of water IPX7

Charging stand

Input 100–240 V~, 50–60 Hz, 1.4 W
Electrical shock protection class II
Protection class level against damaging entry of water IPX7

Travel charger case

Input 5 V $\overline{\text{---}}$, 500–1 000 mA

The declared noise emission level is 65 dB(A), which represents a level A of sound power with respect to a reference sound power of 1 pW.

Explanation of technical terminology

Safety class for electrical shock protection:

Class II – Electrical shock protection is provided by double or heavy-duty insulation.

Protection class level against damaging entry of water:

IPX7 – The appliance is protected against damaging entry of water when submerged at a depth of 1 metre for 30 minutes.

Changes to text and technical parameters are reserved.

INSTRUCTIONS AND INFORMATION REGARDING THE DISPOSAL OF USED PACKAGING MATERIALS

Dispose of used packaging material at a site designated for waste in your municipality.

REMOVING THE BATTERY AT THE END OF THE PRODUCT'S LIFETIME

Prior to disposing of the product or handing it over at a specialised collection facility, it is necessary to ensure that the built-in battery is removed. Allow the battery to discharge before removing it. To remove the battery, proceed as follows. Wrap the toothbrush handle **A2** into an unneeded piece of cloth and place it on an even, stable surface. Using a small hammer, hit the handle **A2** from the side a few times in the vicinity of the LED indicator **A6**. Rotate the handle **A2** and repeat this procedure until the bottom cover is released from the handle **A2**. After releasing the cover, remove it and take out the built-in battery. Battery removal may also be performed at an authorised service centre. In the event that the product has been disassembled for the purpose of ecological disposal then it must not be reassembled.

BATTERY DISPOSAL



The battery contains environmentally damaging substances and therefore does not belong in standard household waste. Hand it over for proper disposal at respective collection locations.

DISPOSAL OF USED ELECTRICAL AND ELECTRONIC EQUIPMENT



This symbol on products or original documents means that used electric or electronic products must not be added to ordinary municipal waste. For proper disposal, renewal and recycling hand over these appliances to determined collection points. Alternatively, in some European Union states or other European countries you may return your appliances to the local retailer when buying an equivalent new appliance.

Correct disposal of this product helps save valuable natural resources and prevents potential negative effects on the environment and human health, which could result from improper waste disposal. Ask your local authorities or collection facility for more details.

In accordance with national regulations penalties may be imposed for the incorrect disposal of this type of waste.

For business entities in European Union states

If you want to dispose of electric or electronic appliances, ask your retailer or supplier for the necessary information.

Disposal in other countries outside the European Union

This symbol is valid in the European Union. If you wish to dispose of this product, request the necessary information about the correct disposal method from the local council or from your retailer.



This product meets all the basic requirements of EU directives related to it.