

HUMIDIFIER

USER'S MANUAL

EN



SENCOR®

SHF 900

Before first use, please read all instructions contained in this user manual carefully, even if you are already familiar with using similar products. Only use this product in accordance with the instructions described in the user's manual. Store the user's manual in a safe place for future reference.

Save the original packaging, material, warranty card and proof of purchase receipt, at least for the duration of the warranty policy. If you need to ship this product, pack it in the original cardboard box to ensure maximum protection during shipping or transport (e.g., when moving or when you need to send this product for repair).

EN-1

CONTENTS

IMPORTANT SAFETY NOTICE	2
DESCRIPTION OF THE PRODUCT	3
INSTRUCTIONS FOR USE	4
CLEANING AND MAINTENANCE	5
TROUBLESHOOTING	5
TECHNICAL SPECIFICATIONS	6
INSTRUCTIONS AND INFORMATION REGARDING THE DISPOSAL OF USED PACKAGING MATERIALS ..	6
DISPOSAL OF USED ELECTRICAL AND ELECTRONIC APPLIANCES	6

IMPORTANT SAFETY NOTICE

- 1) This product must not be used by persons (including children) with physical or mental impairments or by inexperienced persons, unless properly trained or schooled in the safe use of the product, or unless they have been properly supervised by a qualified person who will be responsible for their safety.
- 2) Children must be supervised to ensure that they do not play with the product.
- 3) Under no circumstances should you try to repair or amend the product on your own - danger of electric shock! Entrust all repairs and adjustments to a specialised company/service. Tampering with the product may void the warranty.
- 4) Never use the product if you have wet hands or feet.
- 5) Only store and use the product away from flammable or volatile materials and solutions.
- 6) Keep the product away from extreme temperatures and direct sunlight. Do not use in a dusty environment.
- 7) Do not place the product near heaters, open fires or other sources of heat.
- 8) This product is designed for household use. Do not use in industrial surroundings or outdoors!
- 9) Do not use the product for purposes other than those intended.
- 10) Before connecting this product to the socket outlet, make sure the voltage stated on the label of the product corresponds to the voltage in your wall socket.
- 11) Do not place the power cord near hot surfaces, or over sharp objects. Do not place heavy objects on the power cable. Position the cord so that it will not be stepped on or tripped over. Make sure the power cord is not touching a hot surface.
- 12) If the product's power cord is damaged, have an authorised service or qualified person replace it, in order to prevent hazards. It is forbidden to use the product if it has a damaged power cord or plug.
- 13) Do not disconnect the power cord from the wall outlet by pulling the cord.
- 14) Do not submerge the product in water or in any other liquid.
- 15) If you are not using the product, or if you know that you will not be using it soon, turn it off and disconnect the power cord from the wall socket. Prior to cleaning, proceed in the same manner.
- 16) Do not touch the water condensation surfaces inside the humidifier with any hard object.
- 17) Do not shake the humidifier, and make sure it does not fall on the floor.
- 18) Never place the humidifier on a sloped surface.

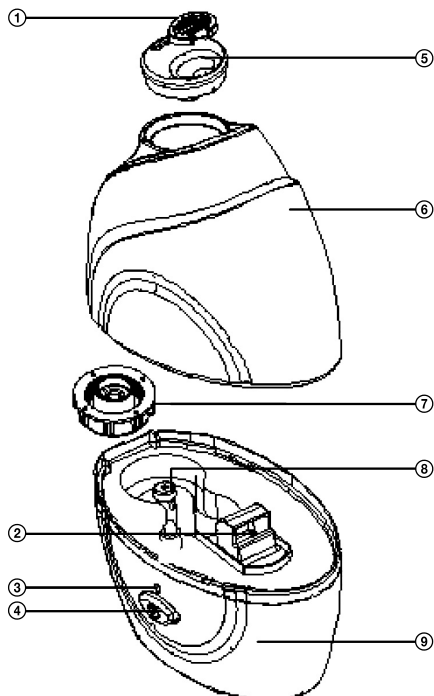
HUMIDIFIER

SHF 900

EN

DESCRIPTION OF THE PRODUCT

A.



① Cover of the area for aromatic oils

② Air outflow

③ LED operation indicator light

④ ON/OFF switch

⑤ Turnable cover for the outflow of steam

⑥ Water tank

⑦ Water tank cap

⑧ Plate for water condensation

⑨ Base

INSTRUCTIONS FOR USE

- 1) Make sure that the humidifier is not connected to the power socket and that the main switch is turned off.
- 2) Remove the water tank from the base of the humidifier.
- 3) Turn the tank so that the bottom is facing upwards, turning left unscrew the tank lock and pour in the required amount of fresh cold water.

**Note:**

- Do not pour warm water into the tank.
 - Never pour water anywhere else than directly into the water tank.
- 4) Screw in the lock by turning right and place the tank back on to the base. Water will immediately start to flow into the base.
 - 5) Now connect the humidifier using the inflow cable with an adapter to the electrical socket.
 - 6) By turning the cover of the steam outflow set the required direction of the steam outflow.
 - 7) Now put the humidifier into operation by pressing the main "ON/OFF" switch. A green LED indicator light will turn on.

**Note:**

- Never remove the water tank if the humidifier is running and connected to the electrical outlet.
- During operation, never touch the water condensation surfaces.

If you have filled the tank to the edge, the expected operation time is 10 hours.

If the water in the tank runs out, the LED indicator light will start flashing red for a few seconds and then the humidifier will turn off.

Function for turning off the water tank light

This humidifier is equipped with the option to turn off the water tank light, which you will appreciate during the night:

- 1 press the ON/OFF button = humidifier on, light off
- 2 press the ON/OFF button = humidifier on, light on
- 3 press the ON/OFF button = humidifier off, light off

Use of aromatic oils

This humidifier makes it possible to use aromatic oils.

- 1) Turn off the humidifier using the main "ON/OFF" switch.
- 2) By pulling upwards remove the cover of the area for the aromatic oils.
- 3) Drip the required amount of aromatic oil onto the absorption pads.
- 4) Place the cover back on the humidifier and put it into operation by pressing the main "ON/OFF" switch.

**Tip:**

The absorption pads can later be substituted by a piece of cotton wool or another appropriate absorptive material.

HUMIDIFIER

SHF 900

EN

CLEANING AND MAINTENANCE

To clean the individual parts of the product, use a soft cloth dipped in lukewarm water. If scale is present use a vinegar solution. Do not use harsh cleaning fluids, paint thinners or solvents. These can damage the surface of the product. Clean the plate for water condensation preferably using a cotton bud dipped in lukewarm water, or a vinegar solution. If the water chimney becomes clogged, remove its cover and clean out the internal parts using a damp cloth.

TROUBLESHOOTING

Problem	Cause	Solution
The power indicator is off, no air is blowing and no steam	The plug is not inserted into the power socket.	Insert the plug correctly into the power socket and turn on the main "ON/OFF" switch.
The power indicator is on, air is blowing but there is no steam in it.	There is no water in the water tank. The cover of the floater for the detection of the water level has come loose.	Fill up the tank with water. Tighten the tank lock.
An odour in the outflowing steam can be sensed	New humidifier or dirty water.	Open the water tank and place it in the shade for 12 hours. Clean the water tank or change the water.
Power indicator, there is no air blowing and no steam is coming out	The water level is too high.	Pour out some water from the water chimney and firmly screw in the water tank lock.
Insufficient amount of steam	There is scale on the water condensation plate, water is dirty or has not been changed for a long time.	Clean the water condensation plate and replace the old water with new.
The water amount is not declining	The floater has come loose or the cover for water input is dirty.	Pull tight the cover of the floater and clean the cover of the regulator.

TECHNICAL SPECIFICATIONS

Power:	AC 100 - 240 V/50 - 60 Hz, DC 24 V
Rated power input:	12 W
Safety class (with regard to electric shock protection)	II
Water tank capacity:	0,8 l
Operating time per fill:	10 hours
Dimensions (length x depth x height):.....	16 x 9 x 19 cm
Weight:	0.8 kg
Noise level:	25 dB(A)

The declared noise emission level for this appliance is 25 dB(A), which represents level A of the acoustic power relative to the reference acoustic power of 1 pW.

The manufacturer reserves the right to alter the text and technical parameters.

INSTRUCTIONS AND INFORMATION REGARDING THE DISPOSAL OF USED PACKAGING MATERIALS

Dispose of packaging material at a public waste disposal site.

DISPOSAL OF USED ELECTRICAL AND ELECTRONIC APPLIANCES



The meaning of the symbol on the product, its accessory or packaging indicates that this product shall not be treated as household waste. Please, dispose of this product at your applicable collection point for the recycling of electrical & electronic equipment waste. Alternatively in some states of the European Union or other European states you may return your products to your local retailer when buying an equivalent new product.

The correct disposal of this product will help save valuable natural resources and help in preventing the potential negative impact on the environment and human health, which could be caused as a result of improper liquidation of waste. Please ask your local authorities or the nearest waste collection centre for further details. The improper disposal of this type of waste may fall subject to national regulations for fines.

For business entities in the European Union

If you wish to dispose of an electrical or electronic device, request the necessary information from your seller or supplier.

Disposal in other countries outside the European Union

If you wish to dispose of this product, request the necessary information about the correct disposal method from local government departments or from your seller.



This product meets all the basic EU regulation requirements that relate to it.

Changes to the text, design and technical specifications may occur without prior notice and we reserve the right to make these changes.