



*The Signature of Quality*®

INSTALLATION & OPERATIONS INSTRUCTIONS  
*ITR & ITRSS: Self-Contained & Remote Refrigerated Models*  
*ITD, ITDSS & ITDSSF: Non-Refrigerated Displays*



**KEEP THIS MANUAL FOR FUTURE REFERENCE**

Engineering and technical data are subject to change without notice.

**FEDERAL INDUSTRIES**  
Toll Free 1(800) 356-4206

**215 FEDERAL AVE**  
WI Phone (608) 424-3331

**Belleville, WI 53508**  
Fax: (608) 424-3234

# CONTENTS

<b>INTRODUCTION.....</b>	<b>4</b>
<u>Registration and Serial Number .....</u>	4
<b>WARNING LABELS &amp; SAFETY INSTRUCTIONS .....</b>	<b>5</b>
<b>REFRIGERATION WARNING (INSTALL-REPAIR-DECOMMISSIONING).....</b>	<b>6</b>
<b>GENERAL ELECTRICAL &amp; GROUNDING.....</b>	<b>11</b>
<u>Refrigerated Permanent Connected .....</u>	11
Refrigerated Floor Models.....	12
Refrigerated Counter Models.....	12
<u>Refrigerated Cord Connected (Option) .....</u>	12
<u>Non-Refrigerated Cord Connected .....</u>	12
<b>REFRIGERATION .....</b>	<b>14</b>
<u>Self-Contained Models .....</u>	14
Self-Contained Refrigeration Operation.....	14
<u>Remote Models .....</u>	14
Remote Refrigeration Operation.....	14
Remote Refrigeration Instruction .....	15
<u>Condensate Evaporator pan and Pump.....</u>	16
Condensate Evaporator .....	16
Condensate Pump .....	16
<u>Electronic Expansion Valve (EEV) .....</u>	16
EEV Controller Settings.....	16
<b>BASE COMPONENT LAYOUT .....</b>	<b>18</b>
<u>Refrigerated Self Contained Models .....</u>	18
<u>Refrigerated Remote Models .....</u>	22
<u>Non-Refrigerated Models.....</u>	24
<b>INSTALLATION INSTRUCTIONS, FLOOR MODELS .....</b>	<b>25</b>
<u>Inspection for Shipping Damage .....</u>	25
<u>Locating the Display Case .....</u>	25
<u>Removing Case from Shipping Skid .....</u>	25
<u>Additional Parts .....</u>	25
<b>INSTALLATION INSTRUCTIONS COUNTER MODELS.....</b>	<b>26</b>
<u>Inspection for Shipping Damage .....</u>	26
<u>Locating the Display Case .....</u>	26
<u>Removing Case from Shipping Skid .....</u>	26
<u>Additional Parts .....</u>	26
<u>ITD, ITDSS &amp; ITDSSF Non-Refrigerated Models Cabinet Mounting .....</u>	27
Cabinet Preparation.....	27
<u>ITR Refrigerated Models Cabinet Mounting .....</u>	27
Cabinet Preparation.....	27
Cabinet Cut Out.....	27
Case Install.....	28
Counter Air Duct & Grills.....	30
<u>Joining Cases, No End Glass .....</u>	30
<u>Joining Floor Model Bases, No End Panels.....</u>	31
<u>Joining Cases, Single End Glass.....</u>	32
<u>Joining Floor Model Bases, Single End Panels.....</u>	34
<b>COMPARTMENT PANEL REMOVAL .....</b>	<b>35</b>
<u>Refrigerated Base Models Back Panel.....</u>	35
<u>Refrigerated &amp; Non-Refrigerated Base Models Back Panel .....</u>	35
<u>Refrigerated Counter Models Front and Back Panels .....</u>	35
<u>Non-Refrigerated Models Top Cover .....</u>	36
<b>END PANEL INSTALLATION &amp; REMOVAL .....</b>	<b>38</b>



<b>SHELVING INSTALLATION &amp; REMOVAL</b> .....	<b>39</b>
<u>Shelf Brackets &amp; Supports</u> .....	39
<u>Special Length Shelf Installation</u> .....	40
<u>LED Light Plug Connection</u> .....	41
<u>Glass Shelves</u> .....	42
<u>Horizontal Dual Zone Shelf Divider</u> .....	43
<b>FRONT AND REAR DOORS REMOVAL</b> .....	<b>44</b>
<u>ITR, ITD, ITDSS &amp; ITDSSF Rear Doors</u> .....	44
<u>ITRSS Rear Inner and Outer Doors</u> .....	45
<b>SECURITY NIGHT COVER (OPTION)</b> .....	<b>46</b>
<b>OPERATING INSTRUCTIONS</b> .....	<b>47</b>
<u>Power Switch</u> .....	47
<u>Light Switch</u> .....	47
<u>Temperature Control</u> .....	47
Button and Display Overview.....	48
Powering on Control.....	48
Adjusting the Set Point .....	48
Entering Manual Defrost Mode .....	49
Error Codes.....	49
Electronic Control Operation .....	50
<u>Initial Startup</u> .....	50
<u>Placing Product in Case</u> .....	51
<b>MAINTENANCE</b> .....	<b>52</b>
<u>Cleaning Condenser Coil</u> .....	52
<u>Top LED Strip Replacement</u> .....	53
<u>Shelf LED Replacement</u> .....	53
<b>CLEANING INSTRUCTIONS</b> .....	<b>53</b>
<u>Daily Cleaning</u> .....	53
<u>Weekly Cleaning ITR, ITD, ITDSS &amp; ITDSSF</u> .....	54
<u>Weekly Cleaning ITRSS</u> .....	54
<u>Weekly Exterior Cleaning</u> .....	57
<b>SERVICE</b> .....	<b>58</b>
<u>Service Information</u> .....	58
<u>Pre-Service Checklist</u> .....	59
<b>SALE &amp; DISPOSAL</b> .....	<b>59</b>
<u>Owner Responsibility</u> .....	59
<b>WIRING DIAGRAMS</b> .....	<b>60</b>
<b>REPLACEMENT PARTS</b> .....	<b>63</b>

---




---

# INTRODUCTION

---

---

Thank you for purchasing a Federal Industries display case. This manual contains important instructions for installing and servicing the Refrigerated Self-Service Merchandisers. A repair parts list and wiring diagram are also included in the manual. Read all of these documents carefully before installing or servicing your case.

	<p><b>NOTICE</b> Read this manual before installing your case. Keep this manual and refer to it before doing any service on the equipment. Failure to do so could result in personal injury or damage to the case.</p>
	<p><b>NOTICE</b> Installation and service of the electrical components in the case must be performed by a licensed electrician. The portions of this manual covering components contain technical instructions intended only for persons qualified to perform electrical work.</p>
	<p><b>DANGER</b> Improper or faulty hookup of electrical components in the case can result in severe injury or death. All electrical wiring hookups must be done in accordance with all applicable local, regional, or national standards.</p>

## REGISTRATION & SERIAL NUMBER

It's important to keep a record of the model and serial number of your merchandiser for warranty and part identification. Please write them here for your quick reference.

**Register your product online!** Visit our website at [www.federalindustries.com](http://www.federalindustries.com) and register your product today.

Case Model \_\_\_\_\_ Serial Number \_\_\_\_\_

We're here to provide you with the best possible experience with your new product, however, we cannot cover everything about your merchandiser in this manual, so if you have any additional questions or issues, please see the SERVICE INFORMATION PAGE to find who you should contact.

# WARNING LABELS & SAFETY INSTRUCTIONS



This is the safety-alert symbol. When you see this symbol on your case or in the manual, be alert to the potential for personal injury or damage to your equipment.

Be sure you understand all safety messages and always follow recommended precautions and safe operating procedures.



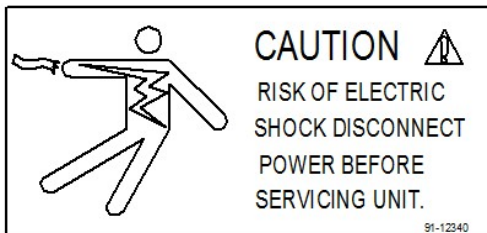
## NOTICE TO EMPLOYERS:

You must make sure that everyone who installs, uses, or services your case is thoroughly familiar with all safety information and procedures.

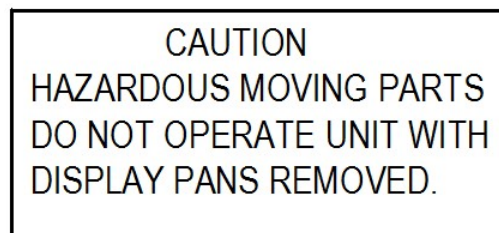
Important safety information is presented in this section and throughout the manual. The following signal words are used in the warning and safety messages:

DANGER:	Severe injury or death <b>will</b> occur if you ignore the message.
WARNING:	Severe injury or death <b>can</b> occur if you ignore the message.
CAUTION:	Minor injury or damage to your case <b>can</b> occur if you ignore the message.
NOTICE:	This is important installation, operation, or service information. If you ignore the message, you may damage your case.

The warning and safety labels shown throughout this manual are placed on your Federal Industries case at the factory. Follow all warning label instructions. If any warning or safety labels become lost or damaged, call our customer service department at (800) 356-4206 for replacements.



This label is located on the back of the display case



This label is located below the display pan.

<p>DANGER – Risk of fire or explosion. Flammable refrigerant used. Consult repair manual/owner's guide before attempting to service this product. all safety precautions must be followed</p> <p style="text-align: right;">91 21814</p>	<p>DANGER — Risque d'incendie ou d'explosion. Fluide frigorigène utilisé. Consulter le guide propriétaire ou le manuel de réparations avant de d'essayer d'installer ou de réparer ce produit. Toutes les précautions de sécurité doivent être suivies.</p> <p style="text-align: right;">91 21814</p>
--	--

This label is located by condensing unit

---

# REFRIGERATION WARNING

## INSTALLATION-REPAIR-DECOMMISSIONING

---



This is the Danger-Flammable symbol. When you see this symbol on your case or in the manual, be alert to the potential for risk of fire or explosion.

Be sure you understand all safety messages and always follow recommended precautions and safe operating procedures.

### **DANGER**



**Risk of fire or explosion. Flammable refrigerant used. To be repaired only by trained service personnel. Do not puncture refrigerant tubing. Dispose of properly in accordance with federal or local regulations**

**Consult repair manual/owner's guide before attempting to service this product. All safety precautions must be followed.**

**Follow handling instructions carefully in compliance with national regulations.**

**Auxiliary devices which may be ignition sources shall not be installed in the ductwork, other than auxiliary devices listed for use with the specific appliance.**

**Do not store explosive substances (such as aerosol cans with a flammable propellant) in this case.**

**Do not use an electrical appliance INSIDE the food storage compartments unless its type is recommended by manufacturer.**

**Flammable refrigerant type specified on case nameplate is on the serial label.**

**APPLIES TO R290 REFRIGERANT MODELS ONLY! Contains a charge of R290 refrigerant with a lower flammability limit (LFL) of .038kg/m<sup>3</sup>. See table for amount of charge.**

## WARNING

- Do not use means to accelerate the defrosting process or to clean, other than those recommended by the manufacturer.
- The appliance shall be stored in a room without continuously operating ignition sources  
For example: open flames, an operating gas appliance or an operating electric heater.
- Do not pierce or burn.
- Be aware that refrigerants may not contain an odor.

## MISE EN GARDE

- Ne pas utiliser de moyens autres que ceux recommandés par le fabricant pour accélérer le processus de dégivrage ou pour nettoyer l'appareil.
- L'appareil doit être entreposé dans un local ne contenant pas de sources d'inflammation permanentes (flammes nues, appareil à gaz ou dispositif de chauffage électrique en fonctionnement, par exemple).
- Ne pas percer ou brûler.
- Attention, les fluides frigorigènes peuvent ne pas dégager d'odeur.

**1. Qualification:** All refrigeration and electrical maintenance, service, and repair must be performed by a Certified Technician that is trained in the required flammable refrigerants safety procedures. Technicians must read the entire section "REFRIGERATION WARNINGS SECTION" of this manual.

Including but not limited to the following:

- a) breaking into the refrigerating circuit.
- b) opening of sealed components.
- c) opening of ventilated enclosures.

**2. Checks to Area:** Prior to beginning work on systems containing FLAMMABLE REFRIGERANTS, safety checks are necessary to ensure that the risk of ignition is minimized prior to conducting work on the system.

- Capacitors are discharged: this shall be done in a safe manner to avoid possibility of sparking.
- No live electrical components and wiring are exposed while charging, recovering or purging the system.
- Continuity of earth bonding.
- Work shall be undertaken under a controlled procedure to minimize the risk of a flammable gas or vapor being present while the work is being performed.
- All maintenance staff and others working in the local area shall be instructed on the nature of the work being carried out. Work in confined spaces shall be avoided.
- The area shall be checked with an appropriate refrigerant detector prior to and during work, to ensure the technician is aware of potentially toxic or flammable atmospheres.

Ensure that the leak detection equipment being used is suitable for use with all applicable refrigerants, i.e., non-sparking, adequately sealed, or intrinsically safe.

-If any hot work is to be conducted on the refrigerating equipment or any associated parts, appropriate fire extinguishing equipment shall be available on hand. A dry chemical or CO2 fire extinguisher should be adjacent to the charging area.

-No person carrying out work in relation to a REFRIGERATING SYSTEM which involves exposing any pipe work shall use any sources of ignition in such a manner that it may lead to the risk of fire or explosion. All possible ignition sources, including cigarette smoking, should be kept sufficiently far away from the site of installation, repairing, removing and disposal, during which refrigerant can possibly be released to the surrounding space. Prior to work taking place, the area around the equipment shall be surveyed to make sure that there are no flammable hazards or ignition risks. "No Smoking" signs shall be displayed.

-Ensure that the area is in the open or that it is adequately ventilated before breaking into the system or conducting any hot work. A degree of ventilation shall continue during the period that the work is carried out. The ventilation should safely disperse any released refrigerant and preferably expel it externally into the atmosphere.

-Where electrical components are being changed, they shall be fit for the purpose and to the correct specification so as to minimize the risk of possible ignition due to incorrect parts. At all times, the manufacturer's maintenance and service guidelines shall be followed. If in doubt, consult the manufacturer's technical department for assistance. The following checks shall be applied to installations using flammable refrigerants:

- a) the actual REFRIGERANT CHARGE is in accordance with the room size within which the refrigerant containing parts are installed.
- b) The ventilation machinery and outlets are operating adequately and are not obstructed.
- c) Markings of the equipment continue to be visible and legible. Markings and signs that are illegible shall be corrected.
- d) Refrigerating pipes or components are installed in a position where they are unlikely to be exposed to any substance which may corrode refrigerant containing

-Repair and maintenance to electrical components shall include initial safety checks and component inspection procedures. If a fault exists that could compromise safety, then no electrical supply shall be connected to the circuit until it is satisfactorily dealt with. If the fault cannot be corrected immediately but it is necessary to continue operation, an adequate temporary solution should be used. This shall be reported to the owner of the Initial safety checks shall include:

### **3. Repairs to sealed components**

-During repairs to sealed components, all electrical supplies shall be disconnected from the equipment being worked upon prior to any removal of sealed covers, etc. If it is necessary to have an electrical supply to equipment during servicing, then a permanently operating form of leak detection shall be located at the most critical point to warn of a potentially hazardous situation.

-Particular attention shall be paid to the following to ensure that by working on electrical components, the casing is not altered in such a way that the level of protection is affected. This shall include damage to cables, excessive number of connections, terminals not made to original specification, damage to seals, incorrect fitting of glands, etc. Ensure that the apparatus is mounted securely.

Ensure that seals or sealing materials have not degraded to the point that they no longer serve the purpose of preventing the egress of flammable atmospheres. Replacement parts shall be in accordance with the manufacturer's specifications.

-Do not apply any permanent inductive or capacitance loads to the circuit without ensuring that this will not exceed the permissible voltage and current permitted for the equipment in use.

NOTE The use of silicon sealants can inhibit the effectiveness of some types of leak detection equipment. Intrinsically safe components do not have to be isolated prior to working on them.

**4. Detection of flammable refrigerants:** Under no circumstances shall potential ignition sources be used in the searching for or detection of refrigerant leaks. A halide torch (or any other detector using a naked flame) shall not be used.

**The following leak detection methods are deemed acceptable for all refrigerant systems:**

-Electronic leak detectors may be used to detect refrigerant leaks but, in the case of FLAMMABLE REFRIGERANTS, the sensitivity might not be adequate or might need recalibration. (Detection equipment shall be calibrated in a refrigerant-free area.) Ensure that the detector is not a potential source of ignition and is suitable for the refrigerant used. Leak detection equipment shall be set at a percentage of the LFL of the refrigerant and shall be calibrated to the refrigerant employed, and the appropriate percentage of gas (25 % maximum) is confirmed.

-Leak detection fluids are also suitable for use with most refrigerants but the use of detergents containing chlorine shall be avoided as the chlorine can react with the refrigerant and corrode the copper pipework.

NOTE Examples of leak detection fluids are

- bubble method,
- fluorescent method agents.

If a leak is suspected, all naked flames shall be removed/extinguished.

If a leakage of refrigerant is found which requires brazing, all the refrigerants shall be recovered from the system, or isolated (by means of shut off valves) in a part of the system remote from the leak.

**5. Removal and Evacuation:** When breaking into the refrigerant circuit to make repairs-or for any other purpose-conventional procedures shall be used. However, for flammable refrigerants it is important that the best practice be followed, since flammability is a consideration. The following procedure shall be adhered to:

- a. Safely remove refrigerant following local and national regulations.
- b. Purge the circuit with inert gas.
- c. Evacuate (optional for A2L).
- d. Purge with inert gas (optional for A2L).
- e. Open the circuit by cutting or brazing.

The refrigerant change shall be recovered into the correct recovery cylinders if venting is not allowed by local and national codes. For appliances containing flammable refrigerants, the system shall be purged with oxygen-free nitrogen to render the appliance safe for flammable refrigerants. This process might need to be repeated several times. Compressed air or oxygen shall not be used for purging refrigerant systems. For appliances containing flammable refrigerants, refrigerant purging shall be achieved by breaking the vacuum in the system with oxygen-free nitrogen and continuing to fill until the working pressure is achieved, then venting to atmosphere, and finally pulling down to a vacuum (optional for A2L). This process shall be repeated until no refrigerant is within the system (optional for A2L). When the final oxygen-free nitrogen change is used, the system shall be vented down to atmospheric pressure to enable work to take place. Ensure that the outlet for the vacuum pump is not close to any potential ignition sources and that ventilation is available.

**6. Charging procedures:** In addition to conventional charging procedures, the following requirements shall be followed.

- a. Ensure that contamination of different refrigerants does not occur when using charging equipment. Hoses or lines shall be as short as possible to minimize the amount of refrigerant contained in them.
- b. Cylinders should be kept in an appropriate position according to the instructions.
- c. Ensure that the REFRIGERATING SYSTEM is earthed prior to charging the system with refrigerant.

- d. Label the system when charging is complete (if not already).
- e. Extreme care shall be taken not to overfill the REFRIGERATING SYSTEM.

**7. Decommissioning:** Before carrying out this procedure, it is essential that the technician is completely familiar with the equipment and all its details. It is recommended good practice that all refrigerants are recovered safely. Prior to the task being carried out, an oil and refrigerant sample shall be taken in case analysis is required prior to re-use of recovered refrigerant. It is essential that electrical power is available before the task commences.

- a. Become familiar with the equipment and its operation.
- b. Isolate the system electrically.
- c. Before attempting the procedure, ensure that:
  - i. Mechanical handling equipment is available, if required, for handling refrigerant cylinders.
  - ii. All personal protective equipment is available and is being used correctly.
  - iii. The recovery process is supervised at all times by a competent person.
  - iv. Recovery equipment and cylinders conform to the appropriate standards.
- d. Pump down the refrigerant system, if possible.
- e. If a vacuum is not possible, make a manifold so that refrigerant can be removed from various parts of the system.
- f. Make sure that the cylinder is situated on the scales before recovery takes place.
- g. Start the recovery machine and operate in accordance with instructions.
- h. Do not overfill cylinders (no more than 80% volume liquid charge).
- i. Do not exceed the maximum working pressure of the cylinder, even temporarily.
- j. When the cylinders have been filled correctly and the process completed, make sure that the cylinders and the equipment are removed from the site properly and all isolation valves on the equipment are closed off.
- k. Recovered refrigerant shall not be charged into another refrigerating system unless it has been cleaned and checked.

**8. Labeling:** Equipment shall be labeled stating that it has been de-commissioned and emptied of refrigerant. The label shall be dated and signed. For appliances containing flammable refrigerants, ensure that there are labels on the equipment stating the equipment contains flammable refrigerant.

**9.Recovery:** When removing the refrigerant from a system, either for servicing or decommissioning, it is recommended good practice that all refrigerants are removed safely.

When transferring refrigerant into cylinders, ensure that only appropriate refrigerant recovery cylinders are employed. Ensure that the correct number of cylinders for holding the total system charge is available. All cylinders to be used are designated for the recovered refrigerant and labeled for that refrigerant (i.e., special cylinders for the recovery of refrigerant). Cylinders shall be complete with pressure-relief valve and associated shut-off valve in good working order. Empty recovery cylinders are evacuated and, if possible, cooled before recovery occurs.

The recovery equipment shall be in good working order with a set of instructions concerning the equipment that is at hand and shall be suitable for the recovery of all appropriate refrigerants including, when applicable, FLAMMABLE REFRIGERANTS. In addition, a set of calibrated weighing scales shall be available and in good working order. Hoses shall be complete with leak-free disconnect coupling and in good condition. Before using the recovery machine, check that it is in satisfactory working order, has been properly maintained and that any associated electrical components are sealed to prevent ignition in the event of refrigerant release. Consult manufacturer if in doubt.

The recovered refrigerant shall be returned to the refrigerant supplier in the correct recovery cylinder, and the relevant waste transfer note arranged. Do not mix refrigerants in recovery units and especially not in cylinders.

If compressors or compressor oils are to be removed, ensure that they have been evacuated to an acceptable level to make certain that FLAMMABLE REFRIGERANT does not remain within the lubricant. The evacuation process shall be carried out prior to returning the compressor to the suppliers. Only electric heating to the compressor body shall be employed to accelerate this process. When oil is drained from a system, it shall be carried out safely.

# GENERAL ELECTRICAL & GROUNDING



**DANGER:**  
Improper or faulty hookup of electrical components in the display case can result in severe injury or death.

**IMPORTANT:** Read this Section of this manual located on page 5.  
“REFRIGERATION WARNING & INSTALLATION-REPAIR-DECOMMISSIONING”  
All refrigeration and electrical work must be performed by certified technicians.

SELF CONTAINED				
MODEL	VOLTAGE	PERMANENT CONNECTED AMPS	CORD CONNECT AMPS/NEMA PLUG	COMPRESSOR LRA
ITR3626 & ITR3634	120V/60H/1PH	MIN CIRCUIT AMPACITY 12.4/ MAX FUSE SIZE 20	TOTAL AMPS 12.4 / 5-20	TOTAL AMPS 12.4 / 5-20
ITR4826 & ITR4834	120V/60H/1PH	MIN CIRCUIT AMPACITY 12.4/ MAX FUSE SIZE 20	TOTAL AMPS 12.4 / 5-20	TOTAL AMPS 12.4 / 5-20
ITR6026 & ITR6034	120V/60H/1PH	MIN CIRCUIT AMPACITY 12.4/ MAX FUSE SIZE 20	TOTAL AMPS 12.4 / 5-20	TOTAL AMPS 12.4 / 5-20
ITRSS3626 & ITRSS3634	120V/60H/1PH	MIN CIRCUIT AMPACITY 12.4/ MAX FUSE SIZE 20	TOTAL AMPS 12.4 / 5-20	TOTAL AMPS 12.4 / 5-20
ITRSS4826 & ITRSS4834	120V/60H/1PH	MIN CIRCUIT AMPACITY 12.4/ MAX FUSE SIZE 20	TOTAL AMPS 12.4 / 5-20	TOTAL AMPS 12.4 / 5-20
ITRSS6026 & ITRSS6034	230/60H/1PH	MIN CIRCUIT AMPACITY 9.2/ MAX FUSE SIZE 15	TOTAL AMPS 9.2 / 6-15	TOTAL AMPS 9.2 / 6-15

REMOTE		
MODEL	VOLTAGE	PERMANENT CONNECTED AMPS
ITR3626 & ITR3634 ITRSS3626 & ITRSS3634	120V/60H/1PH	MIN CIRCUIT AMPACITY 15/ MAX FUSE SIZE 15
ITR4826 & ITR4834 ITRSS4826 & ITRSS4834	120V/60H/1PH	MIN CIRCUIT AMPACITY 15/ MAX FUSE SIZE 15
ITR6026 & ITR6034 ITRSS6026 & ITRSS6034	120V/60H/1PH	MIN CIRCUIT AMPACITY 15/ MAX FUSE SIZE 15

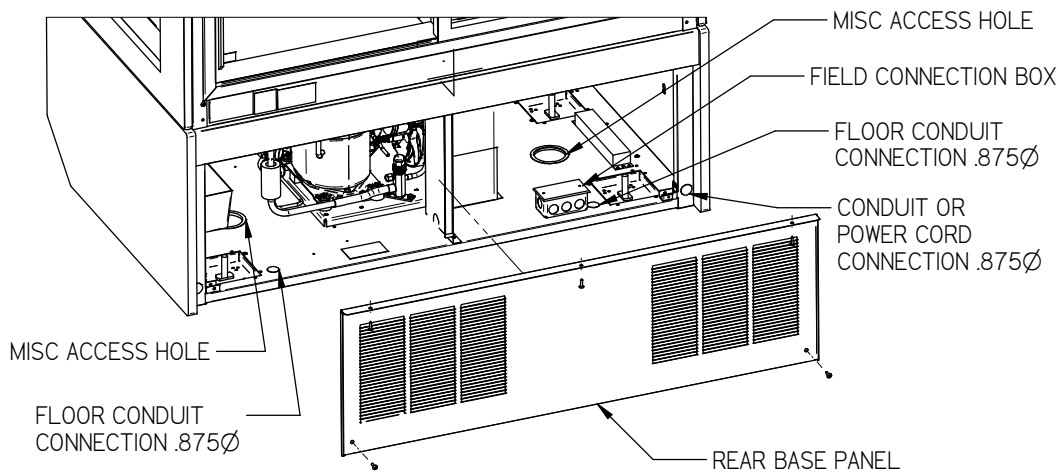
DRY NON REFRIGERATED			
MODEL	VOLTAGE	PERMANENT CONNECTED AMPS	CORD CONNECT AMPS/NEMA PLUG
ITD3626 & ITD3634 ITDSS3626 & ITDSS3634 ITDSS3626F & ITDSS3634F	120V/60H/1PH	MIN CIRCUIT AMPACITY 15/ MAX FUSE SIZE 15	TOTAL AMPS 2.0 / 5-15
ITD4826 & ITD4834 ITDSS 4826 & ITDSS4834 ITDSS4826F & ITDSS4834F	120V/60H/1PH	MIN CIRCUIT AMPACITY 15/ MAX FUSE SIZE 15	TOTAL AMPS 2.0 / 5-15
ITD6026 & ITD6034 ITDSS6026 & ITDSS 6034 ITRSS6026F & ITRSS6034F	120V/60H/1PH	MIN CIRCUIT AMPACITY 15/ MAX FUSE SIZE 15	TOTAL AMPS 2.0 / 5-15

**(E3788 EXCEL)**

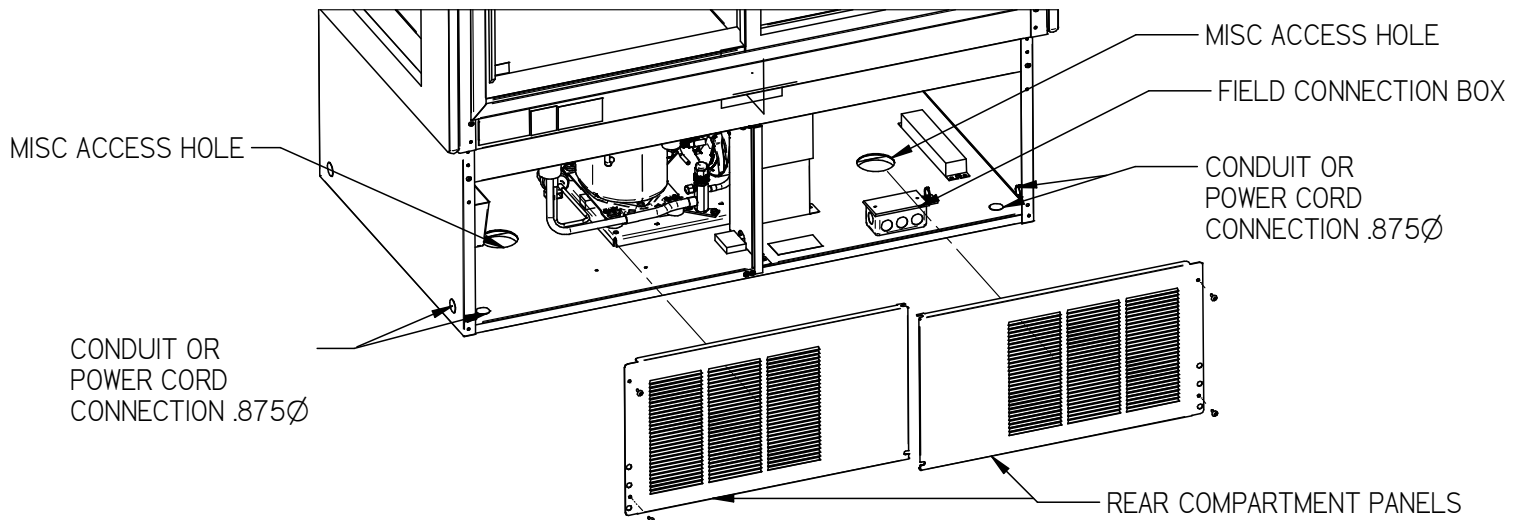
## Refrigerated Permanent Connected

- Only a licensed electrician must perform all case electrical connections.
- All electrical wiring hookups must be done in accordance with all applicable local, regional, or national electrical standards.
- A separate circuit for each display case is required to prevent other appliances on the same circuit from overloading the circuit and causing malfunction.
- The electrical service must be grounded upon installation.
- See the electrical data plate located at the rear of the case for proper circuit size and wire ampacity.
- The electrical connection box is accessible from the rear of the case with rear grill removed. See grill removal section of this manual for grill removal procedure.

### Refrigerated Floor Models:



### Refrigerated Counter Models:



### **Refrigerated Cord Connected (OPTION)**

- A factory installed optional power cord is properly sized to the amperage requirements of the case. See the electrical data plate located on the rear exterior of the case for the proper circuit size for each case.
- The cord is factory installed protruding from the rear corner of the case as noted in above drawings.
- A separate circuit for each display case is required to prevent other appliances on the same circuit from overloading the circuit and causing malfunction.



**CAUTION** Risk of Electric Shock. If the cord or plug becomes damaged, replace only with a cord and plug of the same type".

### **Non-Refrigerated Cord Connected (STANDARD)**

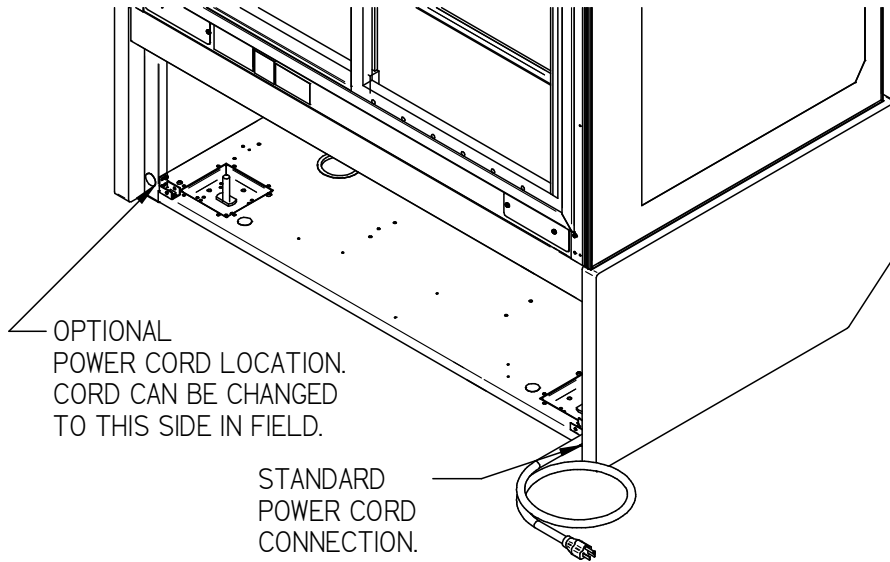
- A factory installed power cord is properly sized to the amperage requirements of the case. See the electrical data plate located on the rear exterior of the case for the proper circuit size for each case.
- The cord is factory installed protruding from the rear corner of the case as noted in below drawings.
- A separate circuit for each display case is required to prevent other appliances on the same circuit from overloading the circuit and causing malfunction.



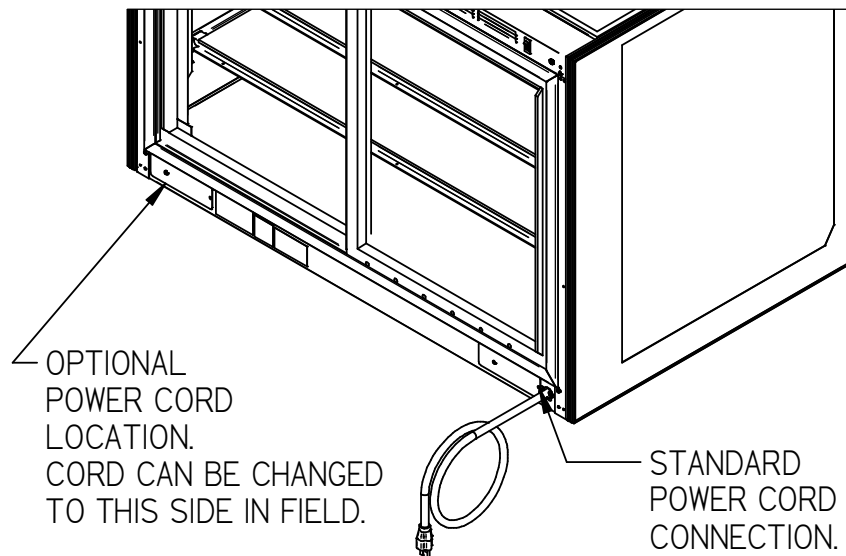
**CAUTION** Risk of Electric Shock. If the cord or plug becomes damaged, replace only with a cord and plug of the same type".

- Only a licensed electrician can move the electrical cord connections to opposite end of case as shown in drawings below.

**NON-Refrigerated Floor Models:**



**NON-Refrigerated Counter Models:**



---

---

# REFRIGERATION

---

---

## Self-Contained Models

The self-contained models are shipped from the factory with a completely operational 290 refrigeration system and require no modifications or adjustments upon installation. Case must be installed as per the installation section of this manual to provide proper condensing air cooling.

The dual pressure control is used as a safety device and is factory set. The pressure control works on a differential. The low-pressure side is a safety to protect the compressor in the case of refrigerant loss. The high-pressure side is a safety to protect from system failure causing too high of system pressure.

Note: The condenser fan runs continuously.

This unit also has a defrost timer that will shut the compressor off a set number of times per day to ensure a full defrost occurs. The compressor will remain off until the either the off time is reached or until the temperature sensor on the coil reaches a set temperature, which ever happens first.

## **Self-Contained Refrigeration Operation**

The unit temperature is controlled by an electronic control that senses air temperature and turns refrigeration on and off as required to maintain proper temperature.

The electronic control will also sense a frosted coil that requires a defrost cycle and shuts off refrigeration until defrost is complete. There are also a defined number of scheduled defrosts that also shut the refrigeration off to insure a full defrost.

## Remote Models

MODEL	REFRIGERANT PRE 12/1/19	REFRIGERANT POST 12/1/19	REFRIGERATION	PRESSURE CUT IN	PRESSURE CUT OUT
ITR3626R & ITR3634R & ITRSS3626R & ITRSS3634R	R134A	R531A	3400 BTUH@90F/20F	25#	5 #
ITR4826R & ITR4834R & ITRSS4826R & ITRSS4834R	R134A	R531A	3800 BTUH@90F/20F	25#	5 #
ITR6026R & ITR6034R & ITRSS6026R & ITRSS6034R	R134A	R531A	4200 BTUH@90F/20F	25#	5 #

Use pressure gauges to set pressure control

## **Remote Refrigeration Operation**

The remote models manufactured before 12/1/19 are designed to use 134A refrigerant and after 12/1/19 are designed to use R531a refrigerant and shipped from the factory with the evaporator coil, expansion valve, drier filter, sight glass and refrigerant solenoid valve. The required high-low-pressure control and remote condenser can be provided as a factory option and will be required to be charged with 134a or R531A refrigerant after installation.

The unit temperature is controlled by an electronic control that senses air temperature and opens and closes the refrigerant solenoid valve as required to maintain proper temperature.

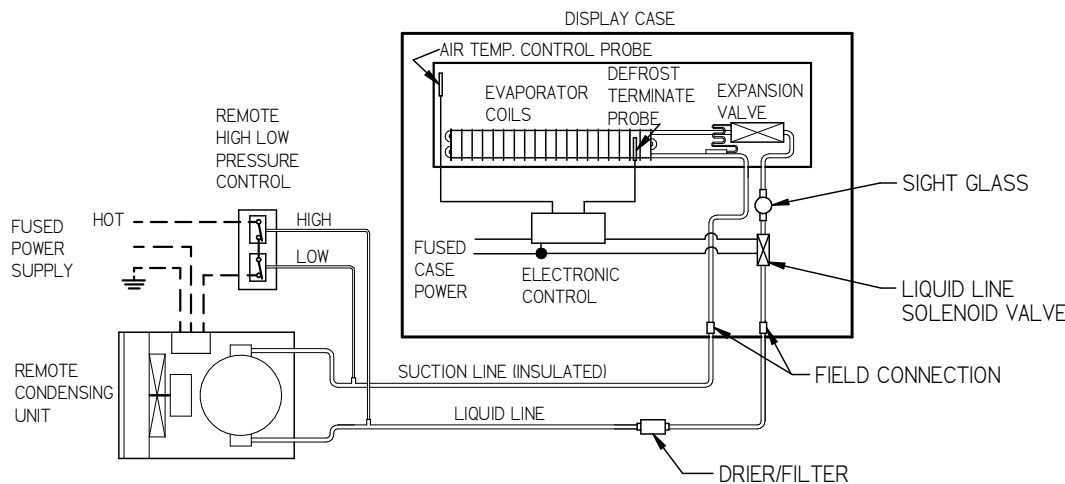
Once proper temperature is reached the solenoid valve closes and shuts off the refrigeration flow to the unit and initiates a pump down cycle. This will allow the remote low pressure switch to open and shut off remote compressor. The solenoid will remain closed until the electronic control probe reaches its "cut in" set point. The electronic control will also sense a frosted coil that requires a defrost cycle and closes

solenoid until defrost is complete. There are also a defined number of scheduled defrosts that also insure a full defrost occurs.

## Remote Refrigeration Installation

The condensing unit and pressure control are optionally supplied from the factory for remote location installation. A remote high low-pressure switch must be mounted and wired by the installer. The high low-pressure switch must be wired in series with the compressor power supply as shown in diagram below.

1. Mount condensing unit as close to the remote display case as practical. All refrigeration and/or electrical materials between the condensing unit and display case are to be supplied by installing contractor.
2. Route properly sized and designed refrigeration lines from the condensing unit to the cabinet. Follow line sizing charts and piping instructions in the condenser unit's manufacturers instruction manual. Horizontal suction lines should be pitched downward towards the condensing unit at least  $\frac{1}{2}$ " per 10' run to aid the oil drainage. A "P" trap must be installed in the suction line at the foot of every riser to insure oil return. Dry nitrogen must be used to flow through tubing while brazing refrigeration lines.
3. Suction line must be insulated the entire length with Armaflex (or equivalent). Do not run liquid line inside insulation with suction line.
4. The remote high/low-pressure control must be mounted, wired and set by the installer.
5. Leak check condensing unit, cabinet, and all connecting tubing. Cabinet and condensing unit tubing should be checked to insure no leaks occurred during shipping or from rough handling. Make certain all refrigeration valves are opened and evacuate system below 500 microns. System must hold below 500 microns for 1 minute with pump isolated. Charge the system with refrigerant type specified on the data plates.



## Condensate Evaporator Pan and Pump

### Condensate Evaporator (Standard Self-Contained Models)



**NOTICE:** During normal defrost cycles, steam from the condensate evaporator may be visible around the case.

The standard Self-Contained case is furnished with an electric condensate evaporator. Plumbing connections are not required.

The condensate evaporator can be removed from the case and the condensate drain can be plumbed to a drain to conserve energy if desired. Disconnect the condensate evaporator wires at the condensate evaporator to remove. This must be done by a qualified electrician.

Make sure that the drain line has not been dislodged during shipment and that the drain trap terminates properly over the water reservoir.

## Condensate Pump (Standard Remote, optional Self Contained)

**NOTICE:** This unit could be shipped with an optional condensate pump. The pump has a float that turns the pump on automatically when needed. The pump is mounted in the base compartment. The pump should be cleaned and inspected every 3-4 months.

When unit is shipped with a condensate pump a condensate discharge hose is supplied from factory. This hose must be run to a nearby drain. When the condensate pan is full the pump will turn on and pump water out condensate drain hose. Note Drain hose can be run in vertical direction but must not exceed height of 15 feet

**Note:** There is a piece of cardboard that has to be removed from the side of the pump to free up the float. If this is not done, the pump will not turn on and the pan will overflow.

## Electronic Expansion Valve (EEV)

A traditional TXV uses springs and a temperature bulb to open and close a valve port that controls the flow of refrigerant entering the evaporator coil. An electronic expansion valve (EEV) controls the refrigerant flow much more precisely, increasing the performance and efficiency of the refrigeration system. The EEV controls the flow of Refrigerant by opening and closing the valve port based on the response to signals sent to the EEV by an electronic controller. The electronic Control bases these signals by processing information provided from a temperature sensor and pressure transducer located on the discharge side of the evaporator coil.

These sensors monitor the evaporator superheat and protects the compressor from any liquid flood back under low superheat conditions.

## EEV Controller Settings

The electronic expansion valve controller also allows the use of different types of refrigerants without the need to change the expansion valve.



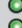
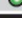
The controller is set from the factory to run on 449A refrigerant and will not need any changes to the control unless another refrigerant is used.

**Note:** Check your State and Local regulations for approved refrigerants for your install location. Federal Industries is not liable for any alternate refrigerants used.

The control is located in the rear center of the base.








**Note:** Never change any of the other setting other than the refrigerant type. It may also be necessary to change the superheat setting only when using a different refrigerant.










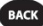
Indicator lights	
	Red light - critical alarm (system is NOT running)
	Yellow light - non-critical alarm (system running)
	Green light - compressor on
	Green blinking - compressor waiting on timer to start/stop

## Changing Refrigerant

- Access the set point mode by pressing and holding the  button until Ctl displays on the screen.

- Use the  up or  down arrows to advance through the available set points until rFG displays on the screen and press the  button.
- Use the  up or  down arrows until the desired refrigeration displays on the screen and press and hold the  button until rFG once again displays on the screen.
- Press the  to return to escape the settings menu.

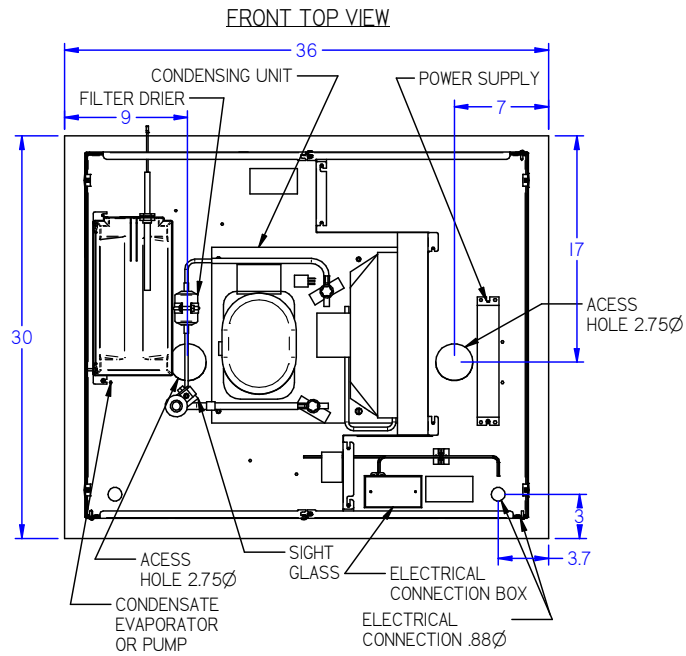
#### Changing Superheat

- Access the set point mode by pressing and holding the  button until Ctl displays on the screen.
- Use the  up or  down arrows to advance through the available set points until SSP displays on the screen and press the  button.
- Use the  up or  down arrows to set the desired superheat displays on the screen and press and hold the  button until SSP once again displays on the screen.
- Press the  to return to escape the settings menu.

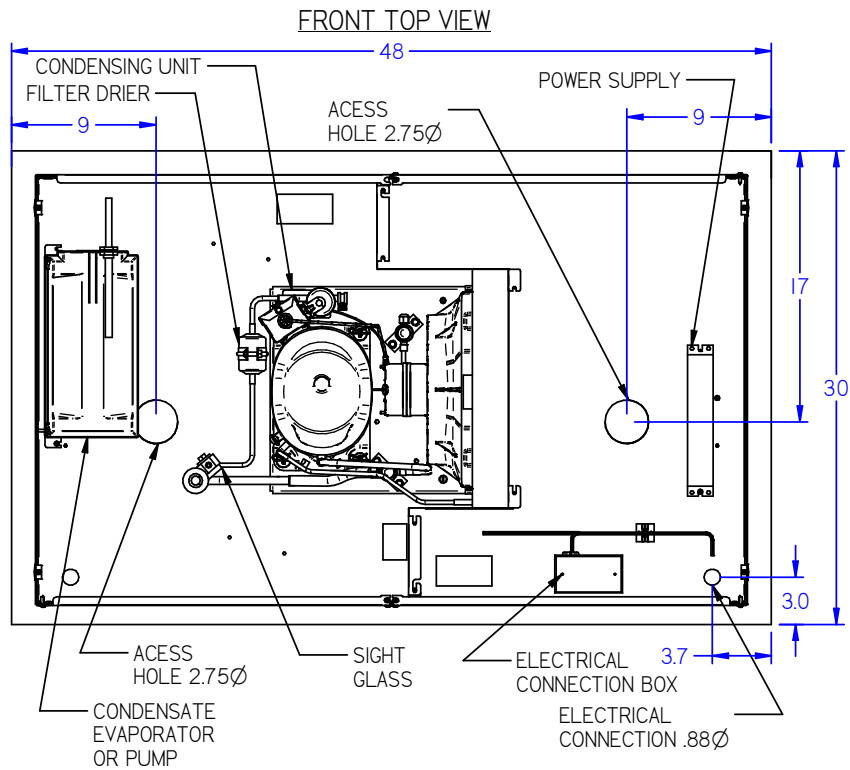
# BASE COMPONENT LAYOUTS

## Refrigerated Self Contained Models

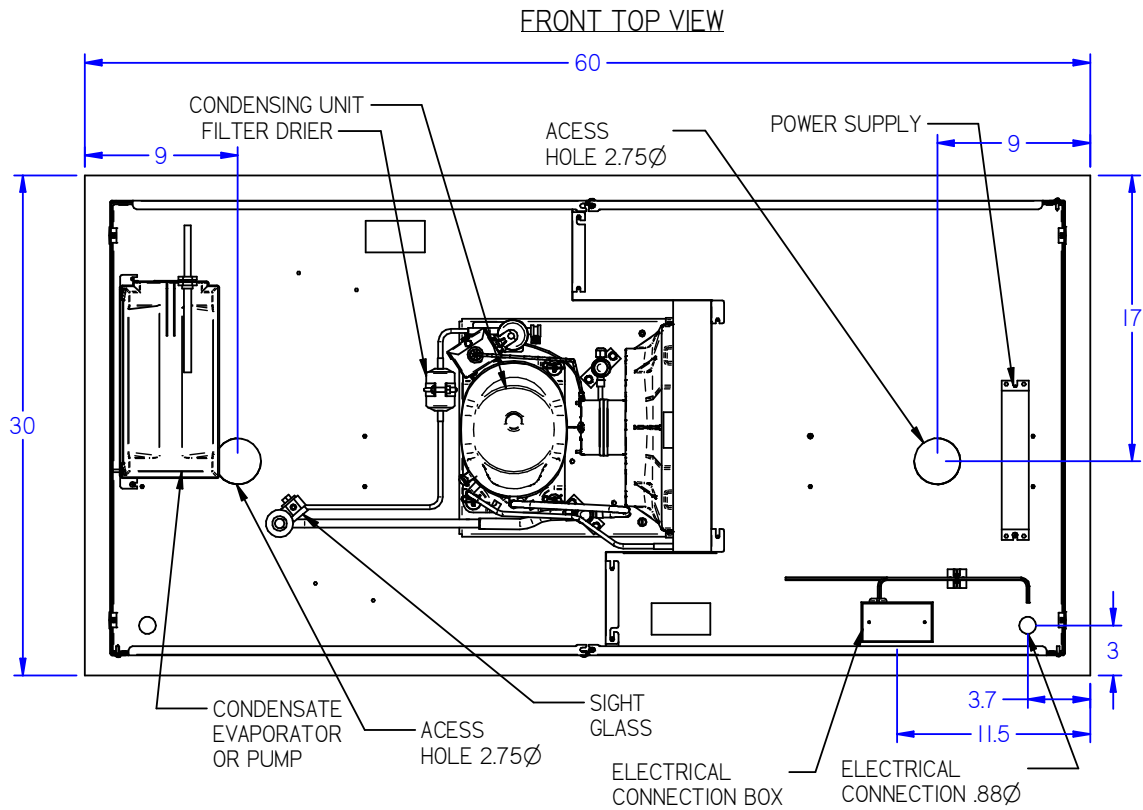
### Counter ITR & ITRSS 36 Self Contained



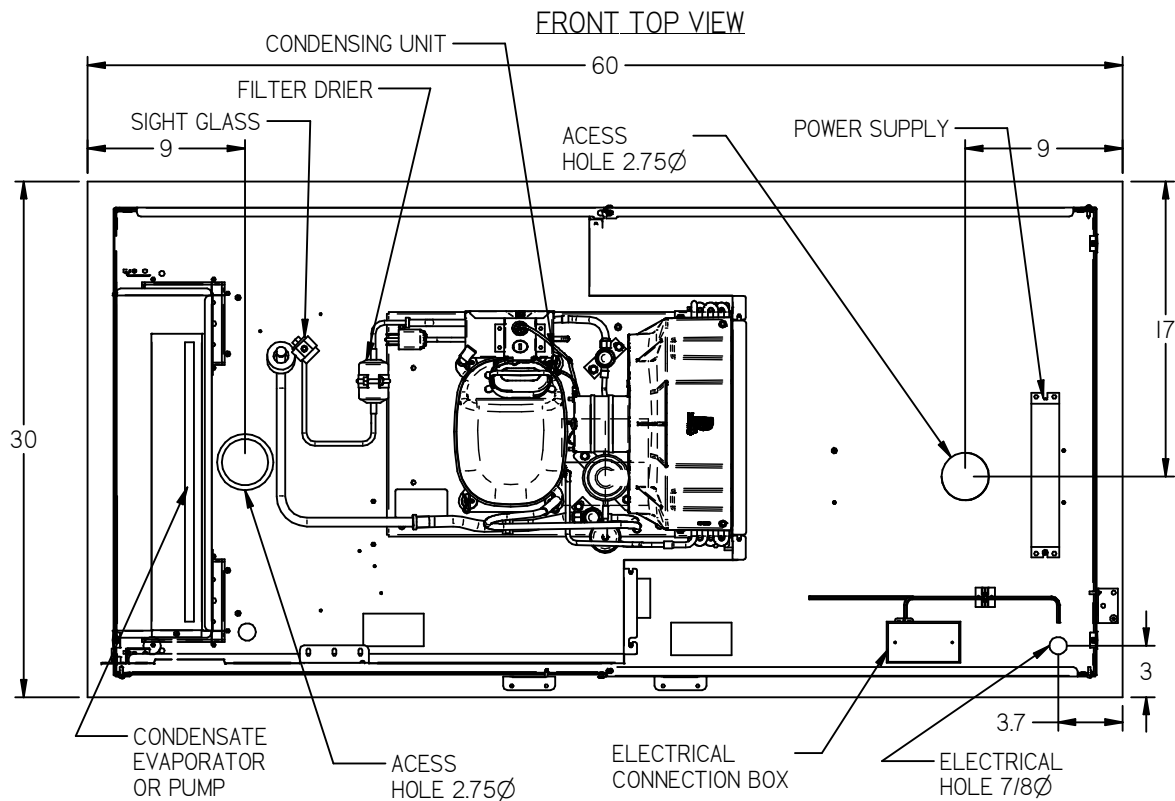
### Counter ITR & ITRSS 48 Self Contained



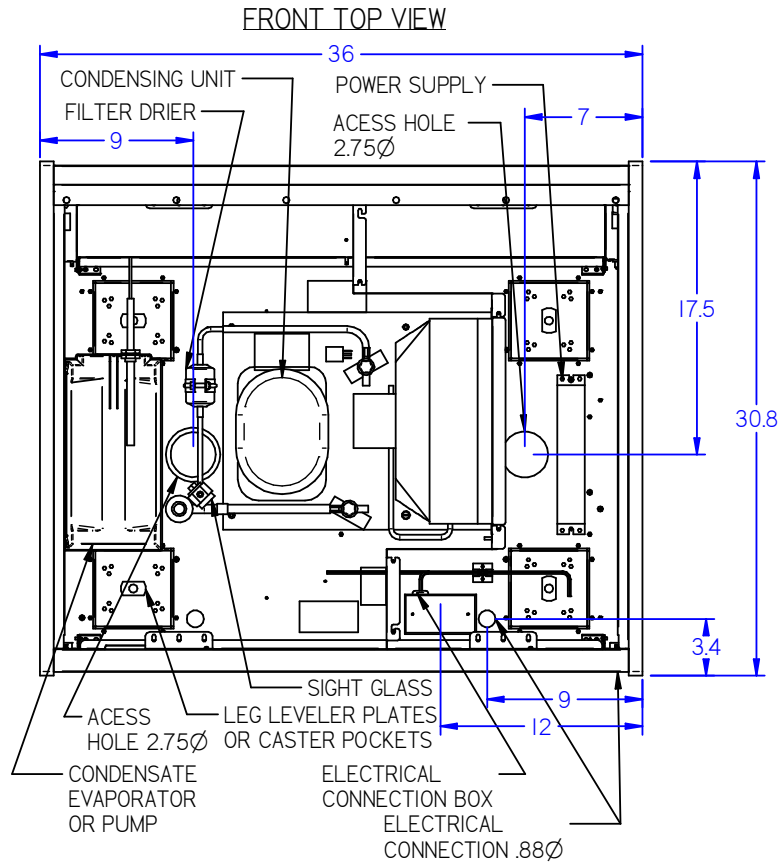
## Counter ITR60 Self Contained



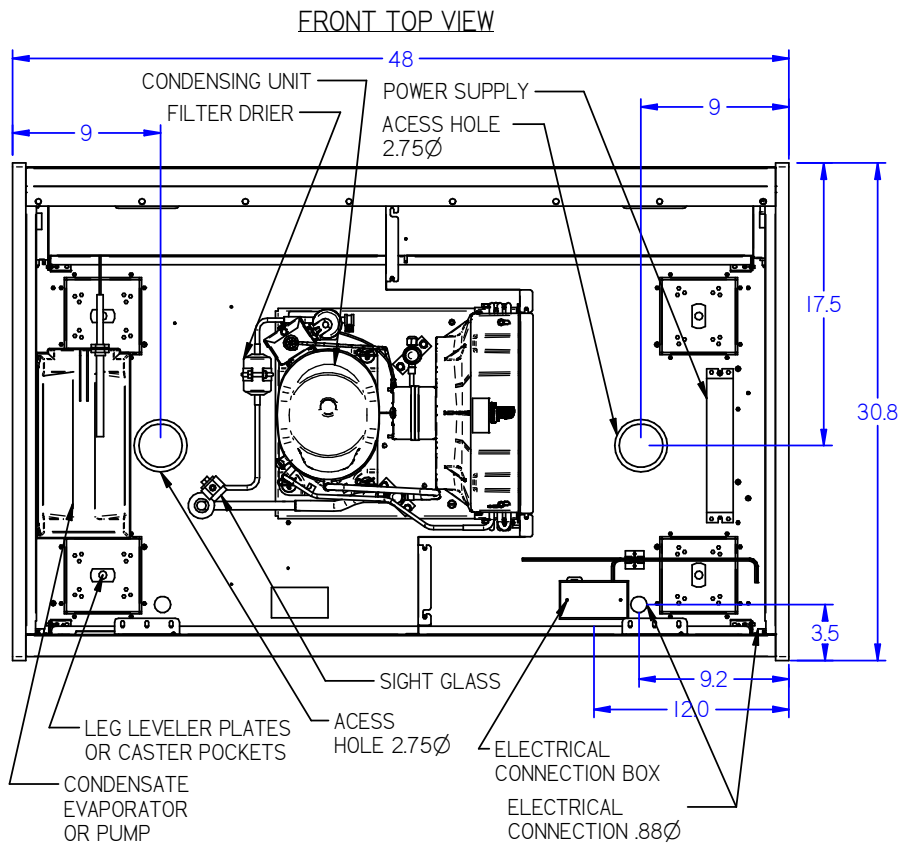
## Counter ITRSS60 Self Contained



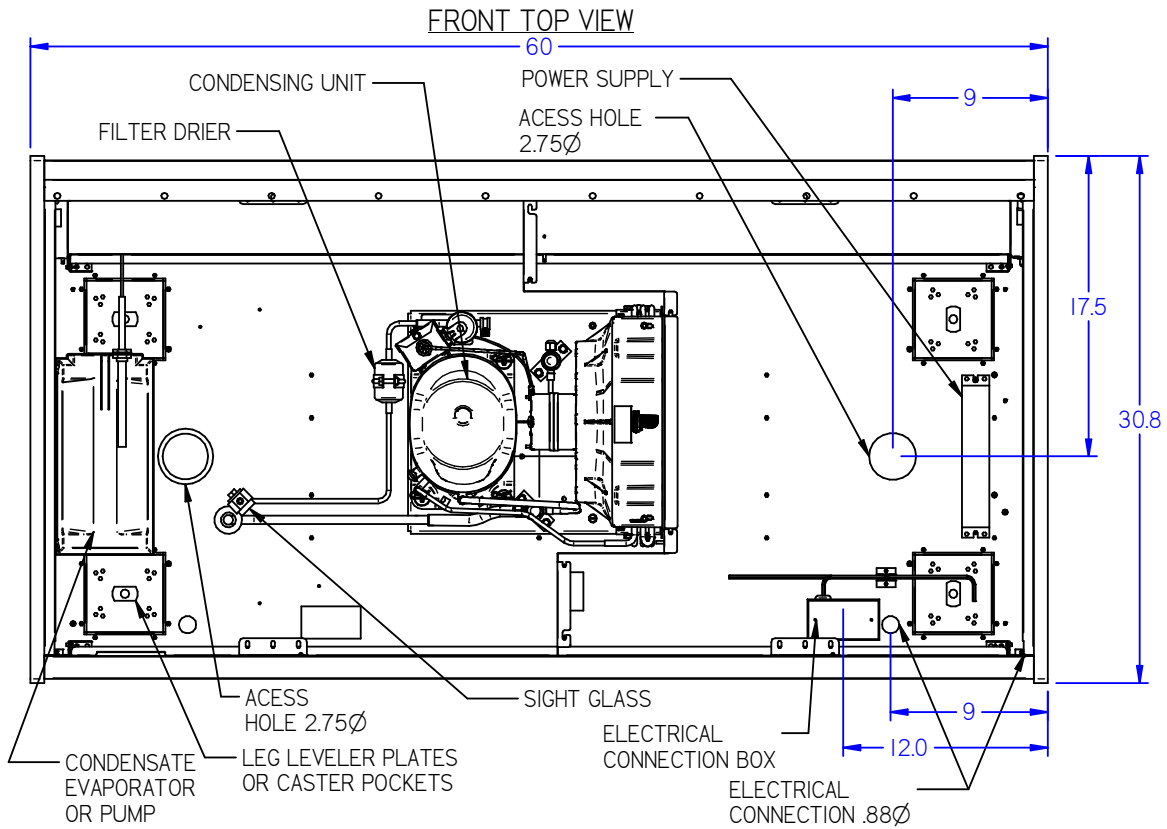
## Floor ITR & ITRSS 36 Self Contained



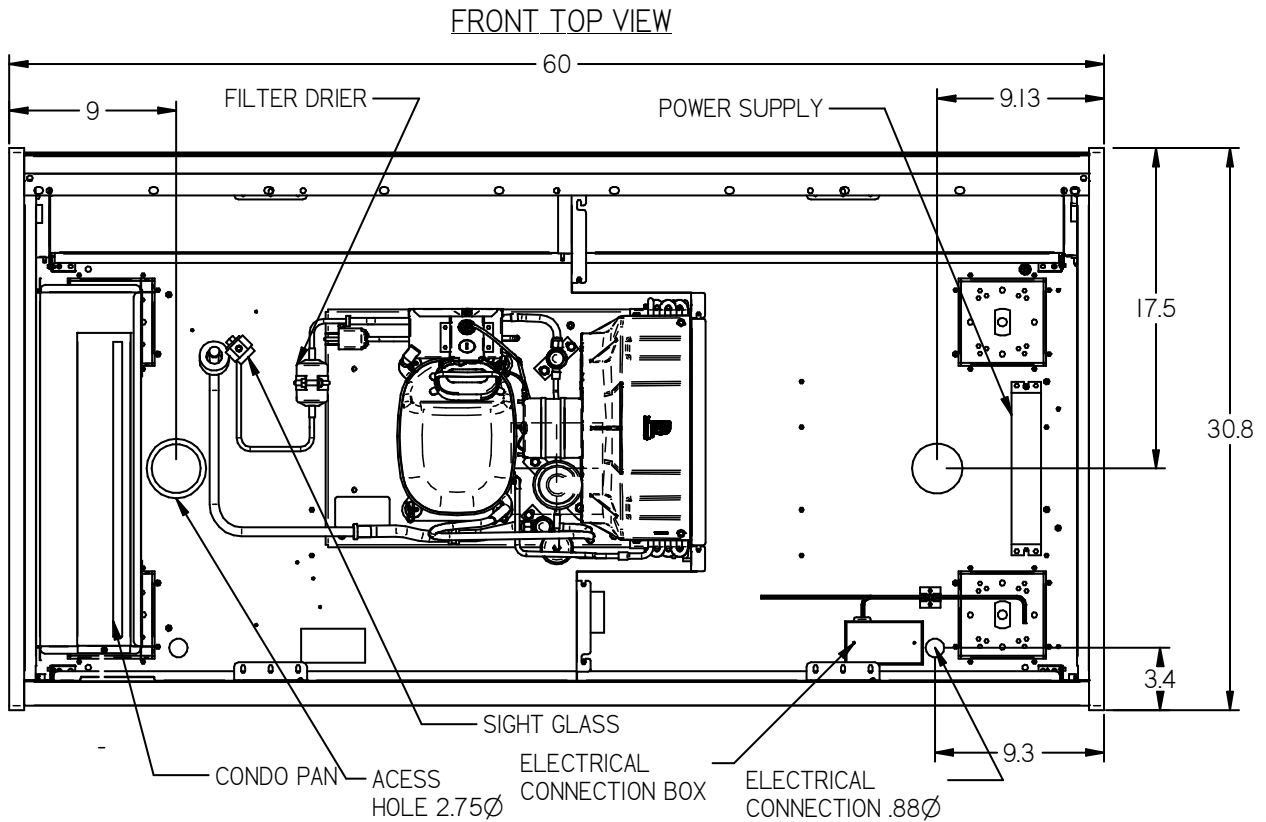
## Floor ITR & ITRSS 48 Self Contained



## Floor ITR60 Self Contained

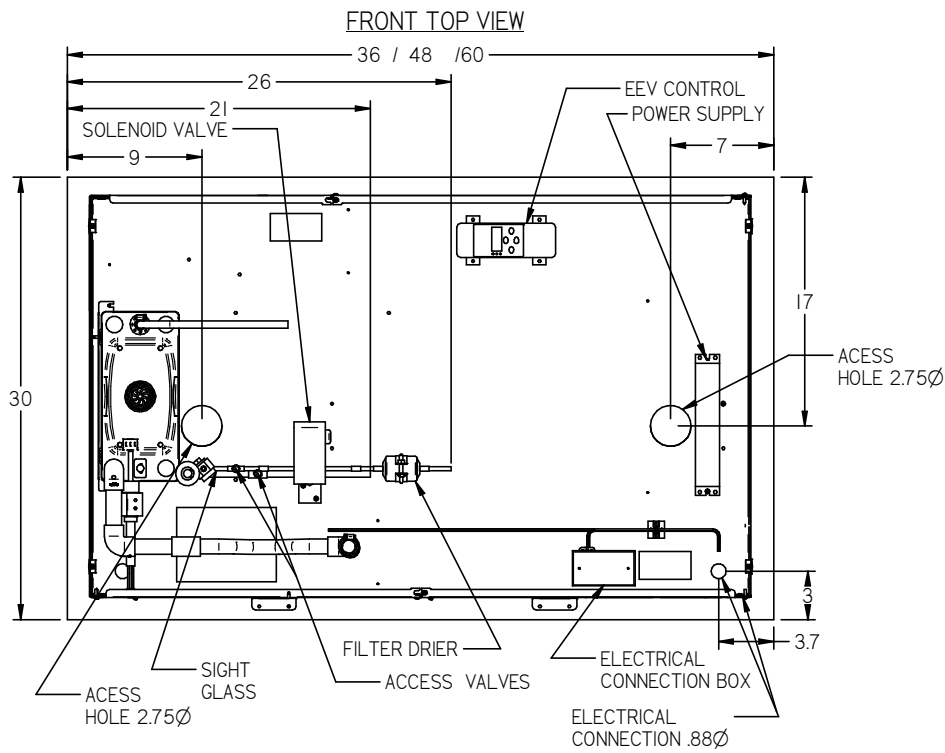


## Floor ITRSS60 Self Contained

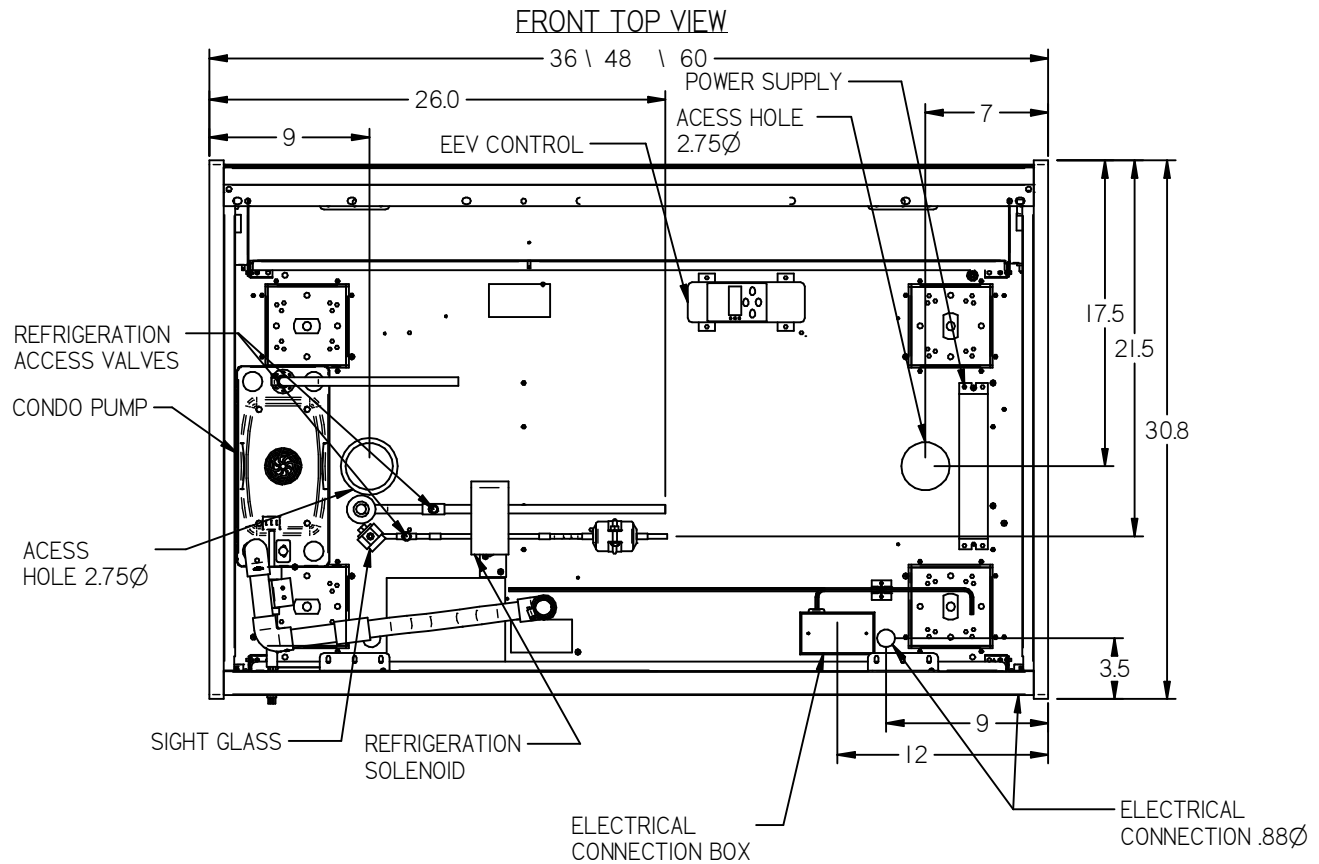


## Refrigerated Remote Models

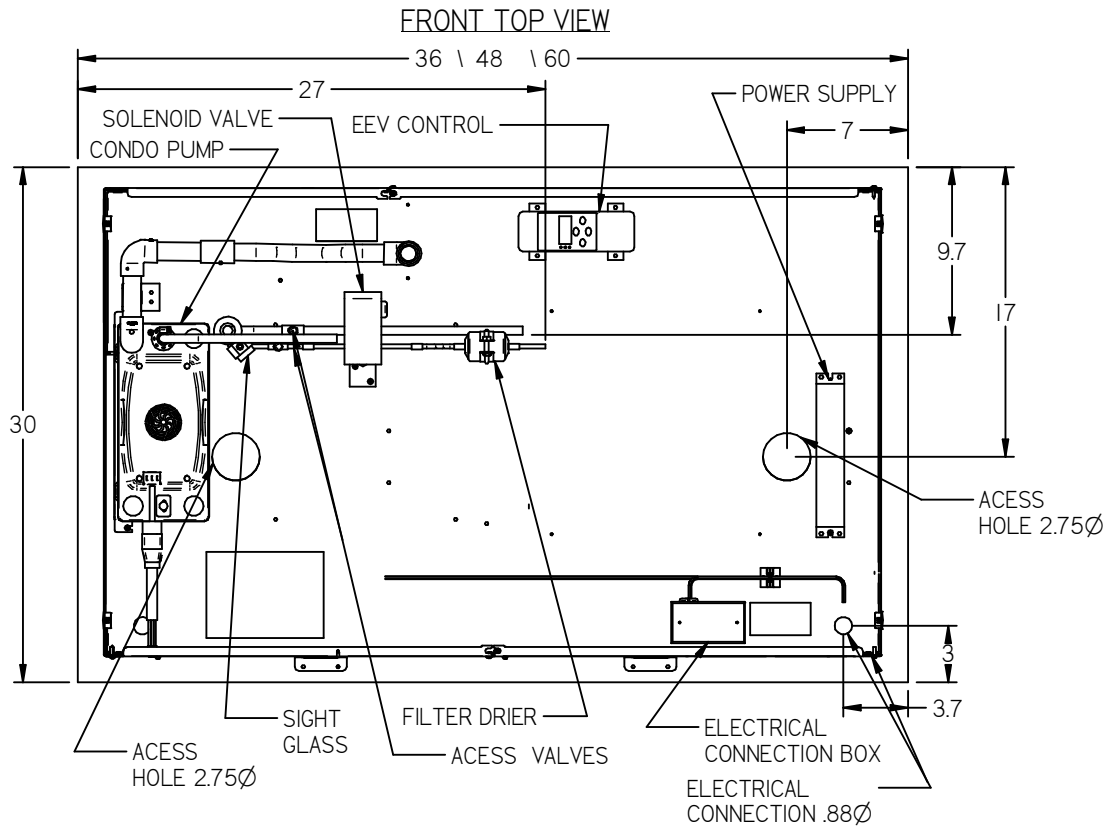
### All ITR Counter Remote



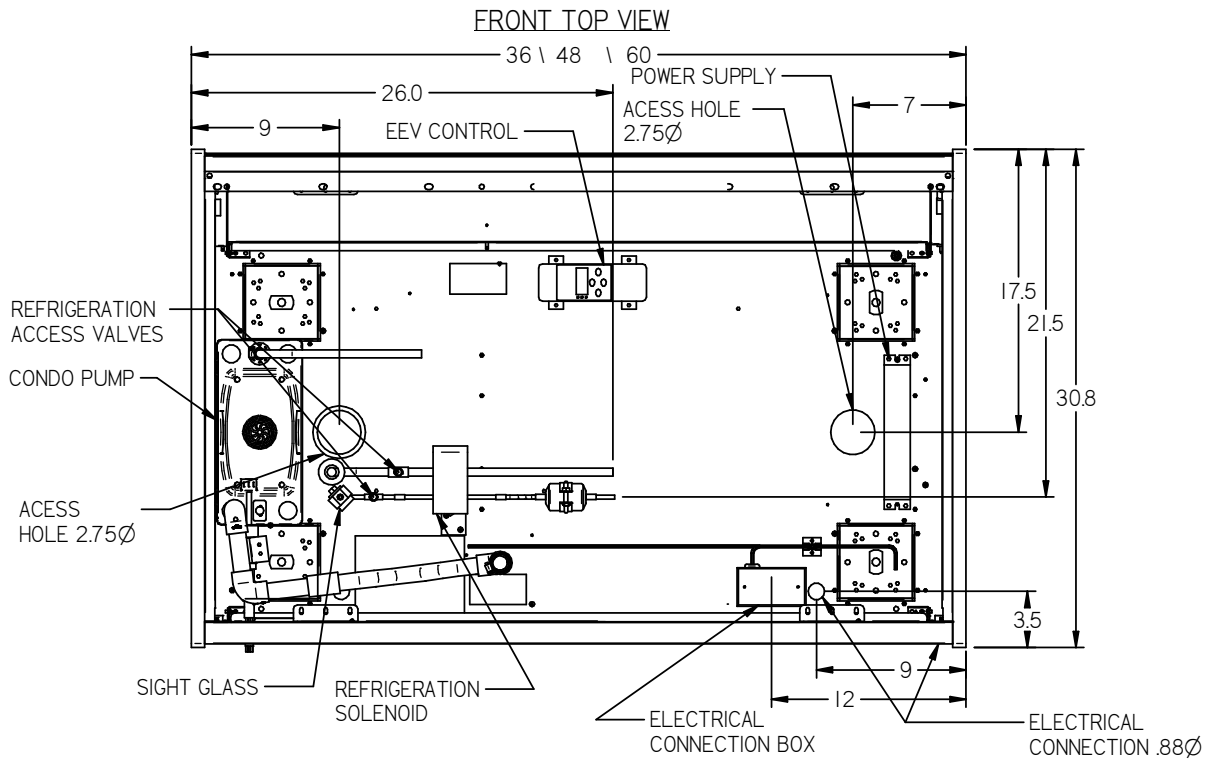
### All ITR Floor Remote



## All ITRSS Counter Remote

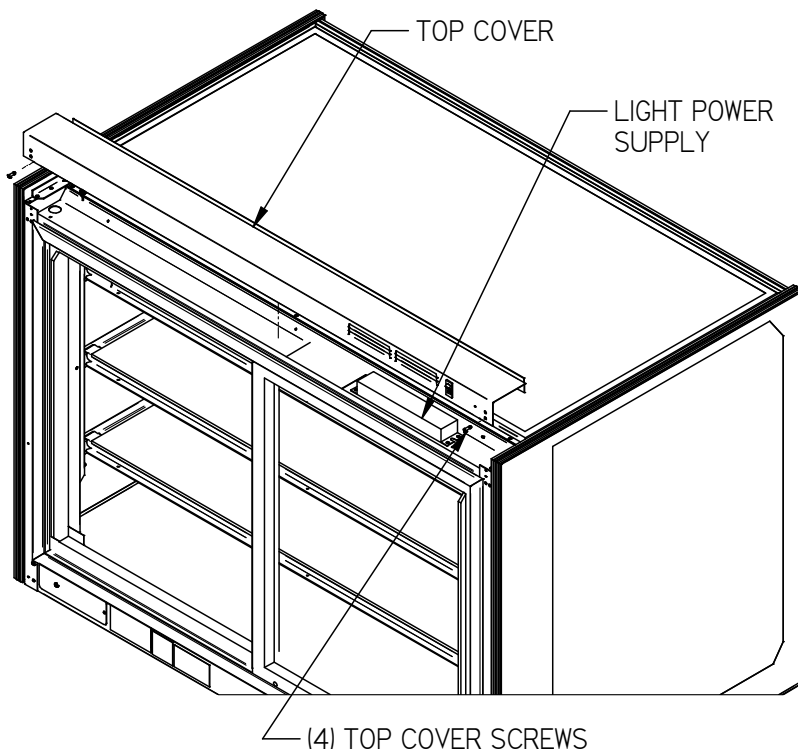


## All ITRSS Floor Remote



## **Floor ITD, ITDSS & ITDSSF NON-Refrigerated**

There are no components in base on NON-Refrigerated models so no base layout is provided  
Light Power Supply is located on top of case under the top cover. See Removal Section of this Manual.



# INSTALLATION INSTRUCTIONS FLOOR MODELS

**IMPORTANT:** Read this Section of this manual located on page 5.  
“REFRIGERATION WARNING & INSTALLATION-REPAIR-DECOMMISSIONING”  
All refrigeration and electrical work must be performed by certified technicians.

The installation of the appliance and the refrigerant must only be performed by Federals approved Service or suitably qualified person.

Appliance to be installed in accordance with safety standards ANSI/ASHREA 15.  
The appliance shall not be installed in public corridors or lobbies.

This case is designed for a class 3 environment.

<u>Test room climate class</u>	<u>Dry bulb temperature [°F]</u>	<u>Relative Humidity [%]</u>	<u>Dew point [°F]</u>	<u>Water vapour mass in dry air [lbm water/lbm air]</u>	<u>Required Test Lab Temperature [°F]</u>
3	77.0	60	62.06	.012	89.6

NSF TYPE 1 Temperature cannot exceed 75 deg F and 55% humidity.

## Inspection for Shipping Damage

You are responsible for filing all freight claims with the delivering truck line. Inspect all cartons and crates for damage as soon as they arrive. If damage is noted to shipping crates, cartons, or if a shortage is found, note this on the bill of lading (all copies) prior to signing.

## Locating Display Case

The case must be located where it is not subjected to the direct rays of the sun, heating ducts, grills, radiator, or ceiling fans, nor should it be located near open doors or main door entrances. Also, avoid locations where there are excessive air movement or air disturbances.

The case requires a minimum of 36” clearance on side of air intake or air discharge. Do not locate case with front or back tight against the wall.

No clearance is needed on sides of the unit.

## Removing Case from Shipping Skid and General Installation



### **CAUTION:**

**Do not push or pull against the top end glass, or door frames and do not pull on end panels when removing the case from the skid or moving the case. Case damage or glass breakage will result.**

1. Remove crate top and sides and note missing or damaged items as explained in the pre-installation procedures outlined above.
2. Move the case as near as possible to the final location and before removing it from the shipping skid.
3. On Counter Model Units, the case is held to skid with (4) brackets on each outside corner of the case. Remove the screws that secure these (4) brackets to the skid and case.  
On Base Model Units, there are (4) bolts through the skid and into each corner of the base of unit. Remove the front and back base panels as described in this manual. Remove the (4) nuts and bolts holding unit to skid.
4. Prepare cabinet according to instructions in this section that pertain to your model.
5. Lift the case off of skid and into required position. Only lift the case from under the front and rear lips on base or frame of unit.

6. The case must be level for proper drainage of defrost condensate to the condensate evaporator or pump. Using the wrench provided level and square the case as needed by adjusting the leg leveler in each corner of base.
7. The leveled case must be sealed to the floor using a NSF Listed Sealant.

### **Additional Parts Shipped with Unit**

Remove bubble wrap and packing material for all shelves and panels, brackets, etc. If it is necessary to remove tape residue from plastic materials, use cleaning compounds recommended in the cleaning section of this manual. Install panels and shelving as described proper section of this manual.

---

---

## **INSTALLATION INSTRUCTIONS COUNTER MODELS**

---

---

### **Inspection for Shipping Damage**

You are responsible for filing all freight claims with the delivering truck line. Inspect all cartons and crates for damage as soon as they arrive. If damage is noted to shipping crates, cartons, or if a shortage is found, note this on the bill of lading (all copies) prior to signing.

### **Locating Display Case**

The counter units are designed to be placed on or into the top of a cabinet counter. The cabinet that the case is to be used with must be located where it is not subjected to the direct rays of the sun, heating ducts, grills, radiator, or ceiling fans, nor should it be located near open doors or main door entrances. Also, avoid locations where there are excessive air movement or air disturbances.

The refrigerated cases require special consideration of cabinet design to allow condenser air to enter intake and discharge from cabinet space. The requirements for specific cases outlined in this section must be followed. Failure to follow these instructions will void warranty.

### **Removing Case from Shipping Skid and General Installation**



**CAUTION: Do not push or pull against the top end glass, or door frames and do not pull on end panels when removing the case from the skid or moving the case. Case damage or glass breakage will result.**

1. Remove crate top and sides and note missing or damaged items as explained in the pre-installation procedures outlined above.
2. Move the case as near as possible to the final location and before removing it from the shipping skid.
3. Remove the (4) brackets that secure the case to the shipping skid.
4. Prepare cabinet according to Cabinet Mounting Counter Models instruction in next section that pertain to your model.
5. The counter cases are shipped with end glass removed and lifting handles are provided on each side of case. Using lifting handles lift the case off of skid and into required position. Once case is placed into position remove lifting handles and install end glass as described in End Glass Installation Section
6. The counter top that the case is being placed on must be level for proper drainage of defrost condensate to the condensate evaporator or pump.
7. The case must be sealed to the counter using a NSF Listed Sealant.

## **Additional Parts Shipped with Unit.**

Remove bubble wrap and packing material for all shelves and panels, brackets, etc. If it is necessary to remove tape residue from plastic materials, use cleaning compounds recommended in the cleaning section of this manual. Install panels and shelving as described proper section of this manual.

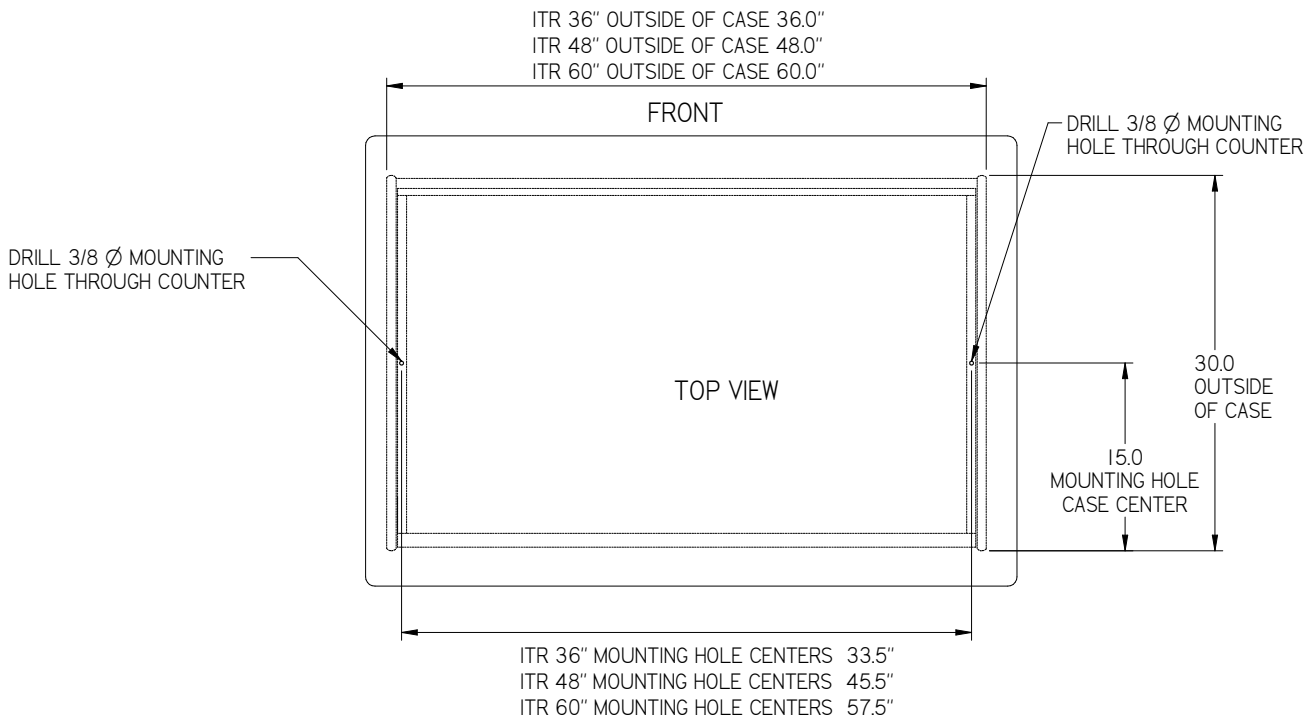
## **ITD, ITDSS & ITDSSF Non-Refrigerated Model Cabinet Mounting**

### **Cabinet Preparation**

The ITD models set directly on top of counter. The Case must be attached and sealed to top of counter to prevent counter from moving. Counter will require (2) 3/8" dia. holes to be drilled through the counter top surface to attach case to counter. Use the diagram below for hole location.

Place case on to counter and fasten from under cabinet with (2) 10-32 screws and washers provided. The case must be sealed to the counter using a NSF Listed Sealant.

**IMPORTANT:** When placing cases in a line up the number of end panels used will be different. The cut out and hole placement dimension will need to be adjusted for each particular line up circumstance.



## **ITR Refrigerated Models Cabinet Mounting**

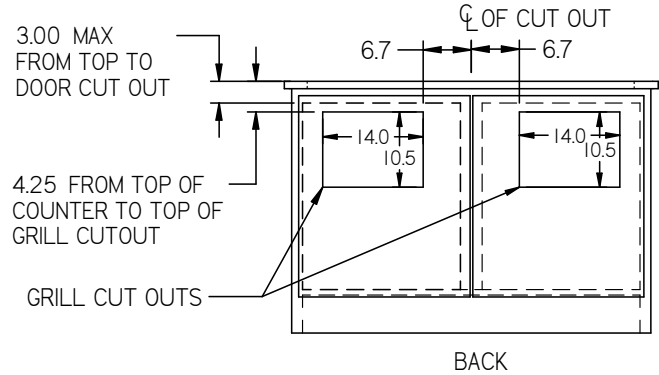
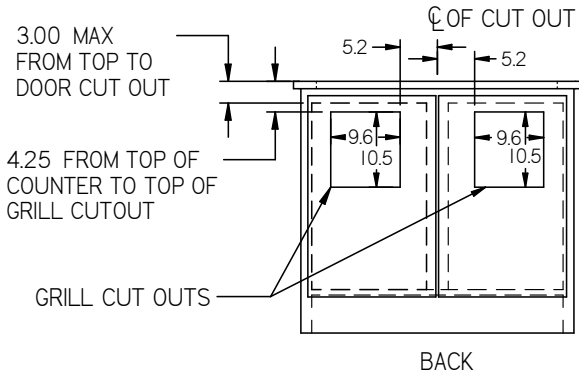
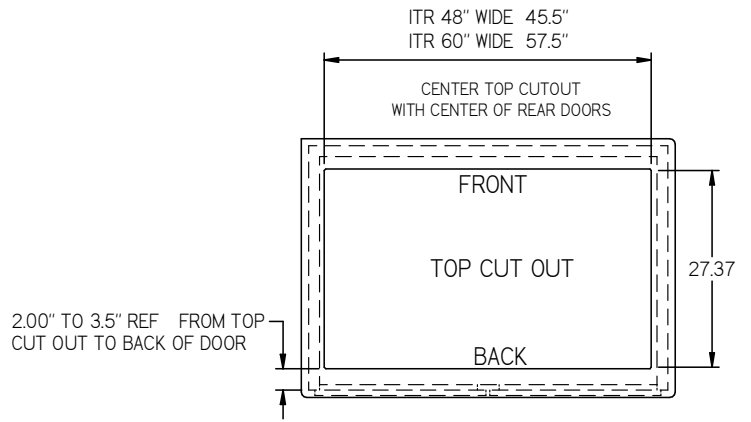
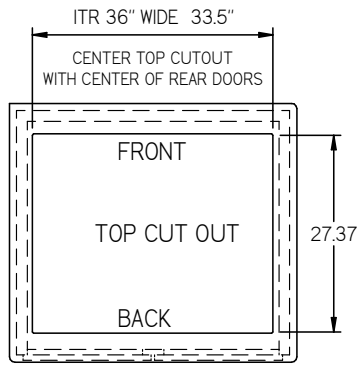
### **Cabinet Preparation**

The ITR models have a large compartment hanging from the bottom of case. On the Self-Contained models it contains the condenser and condensate evaporator, on the Remotes it contains the condensate pump or condensate evaporator and fan. This compartment hangs inside the cabinet compartment and the interior of the cabinet must be open to allow space for this compartment.

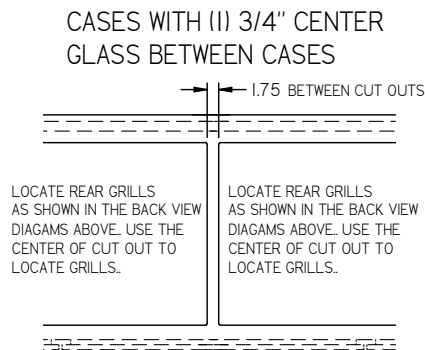
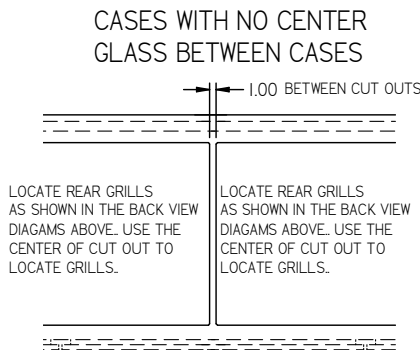
### **Cabinet Cutout**

The countertop must be cut to allow the case's base and condenser compartment to drop into the cabinet interior. On refrigerated self-contained and remotes with optional condensate pan the Grill cut outs must be cut in back of cabinet to allow air flow in and out of refrigeration compartment. Use the diagram below for cutout dimensions.

**IMPORTANT:** When placing cases in a line up the number of end panels used will be different. The cut out and hole placement dimension will need to be adjusted for each particular line up circumstance. See Continues Line up drawing below.



Continues Line Up Cut Outs (Note: Dry Cases do not require cut out in counter)

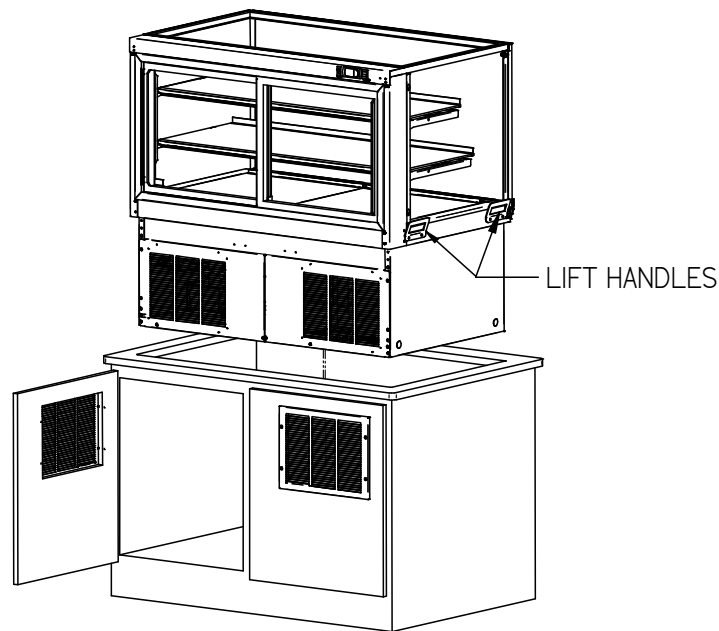


### Case Install

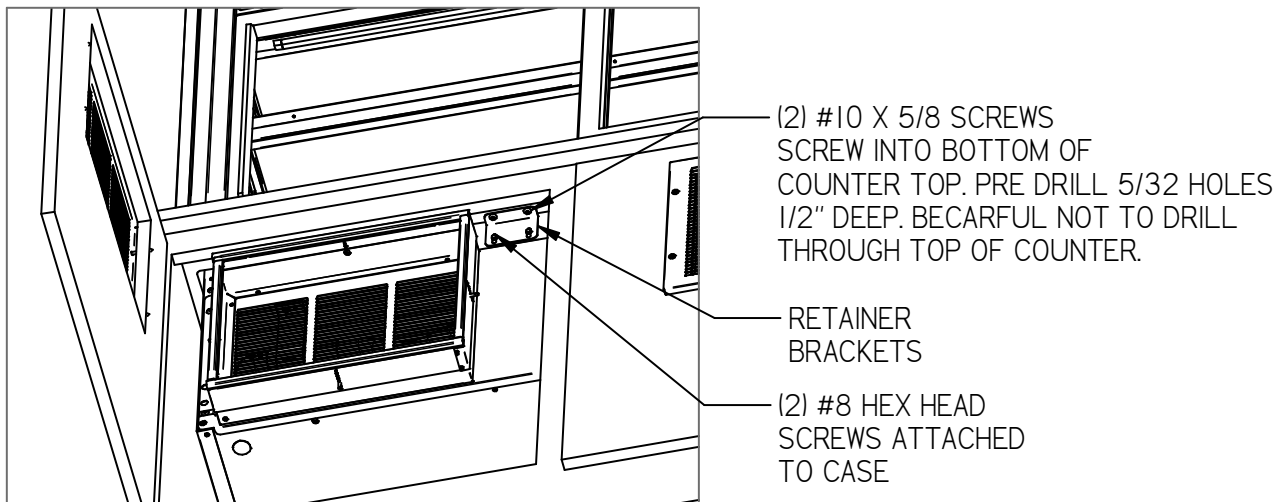
The Inner Outer Duct Assemblies and Retainer Brackets are shipped attached to the case refrigeration compartment. The Duct Assemblies and Retainer Brackets must be removed before setting case into cabinet opening. To disassemble remove the (8) screws holding each Duct Assembly to the louvered panel also remove the (2) screws holding each Retainer Bracket.

Lift handles and screws are shipped loose with case. To use the provided handles, remove the end glass panels as described in the End Panel Installation section of this manual. There are holes provided in the side rails of case in the location shown below. Attach handles using the provided 1/4-20 screws. Be sure to use gloves to prevent injury and use handles to lift case into cabinet. Once case is placed into cabinet remove the (4) handles and install side glass as described in End Panel Installation section of this manual.





Once case is in place it must be secured to prevent it from moving during use. Reattach the Retainer Brackets that were previously removed in same location using the #8 hex head screws. Push bracket up tight to bottom of counter top and tighten screws. Pre-drill (4) 5/32 holes 1/2" deep into the counter top. (Be careful not to drill through top of counter)



**Cabinet Grills & Air Duct (All refrigerated self-contained and remotes with condo pan)**

**IMPORTANT:** Federal Industries reserves the right to deny warranty if the cabinet is not ducted to allow proper condenser and condensate air intake and discharge, or if the cabinet louvers are not installed properly, or if condenser air intake and discharge air is blocked or located near a source of heat.

The condenser air intake and discharge must be separated and vented out of the cabinet compartment for case to operate. The required louver grills and expandable ducts for both intake and discharge are provided with case. On Remotes, the louvers are required to vent the moist condensate air.

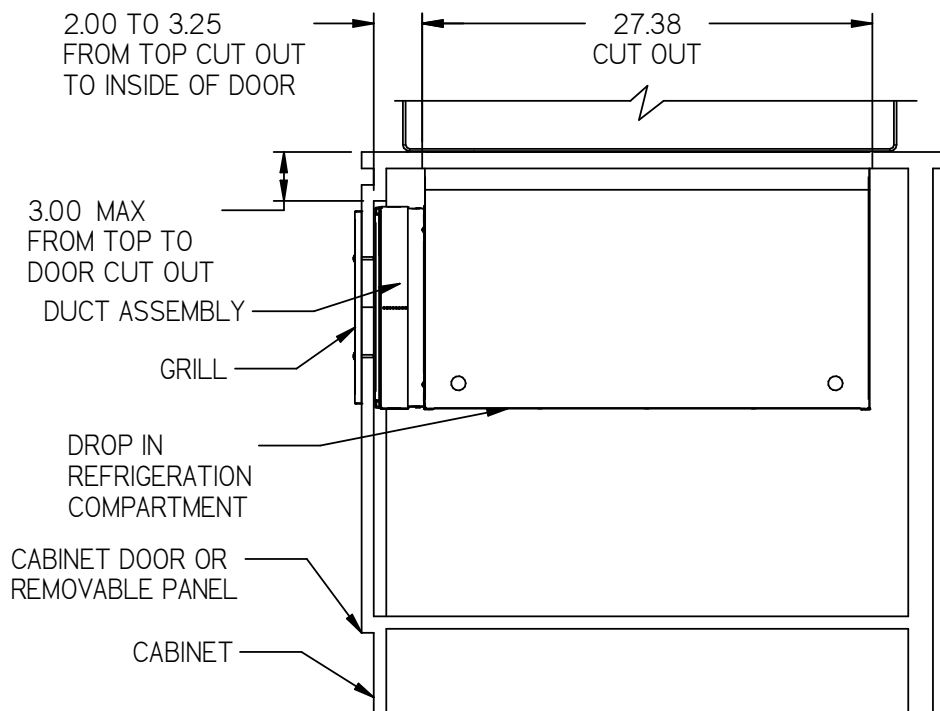
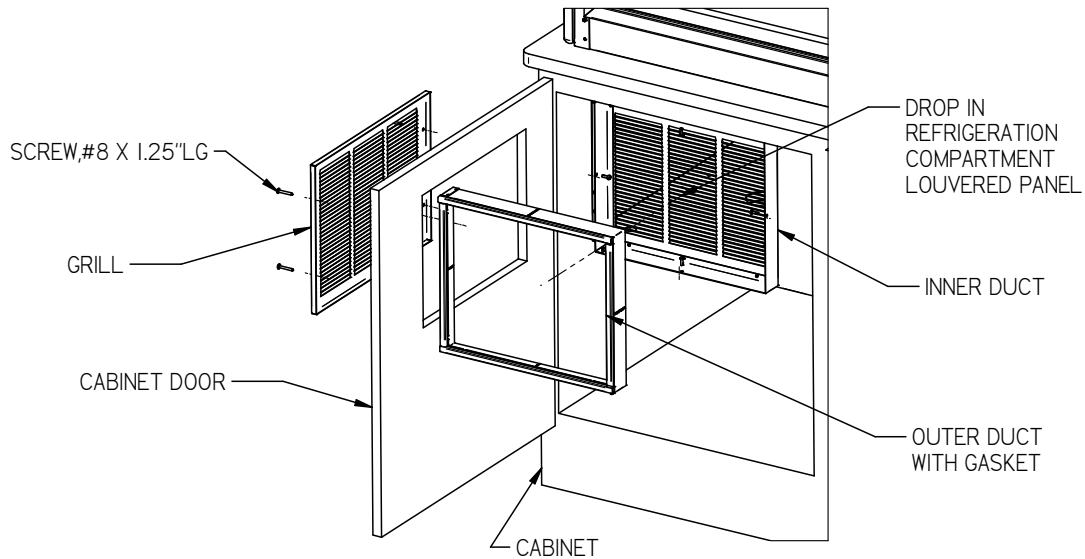
Note: The louvered panels mounted to condenser compartment are located on the back of the compartment and solid panels are mounted to front of the compartment when shipped from factory. This set up is for air intake and discharge out of the back of the cabinet. The intake and discharge louvered



panels can be moved to front of compartment and the solid panels moved to the back of compartment if air intake and discharge is required out of front of cabinet

The Outer Duct must be adjusted so that the gasket seals against the Cabinet Door. Remove the (4) screws located inside of the Outer Duct. There are multiple holes in the Outer Duct. Move Outer Duct to desired depth and reinstall (4) screws. Open & close door and be sure Gasket seals hits door

Center the supplied Grills on outside of Cabinet Doors and mark holes onto doors. Drill 1/8 holes into door in marked positions. With Grill flanges against door screw Grill to cabinet door with (4) supplied #8 x1-1/4 screws.



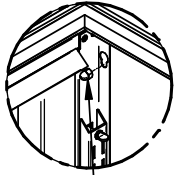
SIDE VIEW



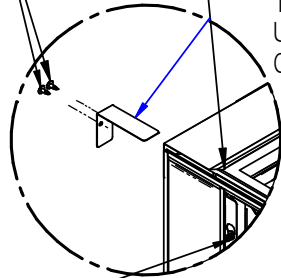
## Joining Cases (No End Glass Between)

ONCE TOP JOIN TRIM IS IN DESIRED LOCATION ATTACH TO CASE WITH (2) 8-18 SELF DRILLING SCREWS.

DETAIL B

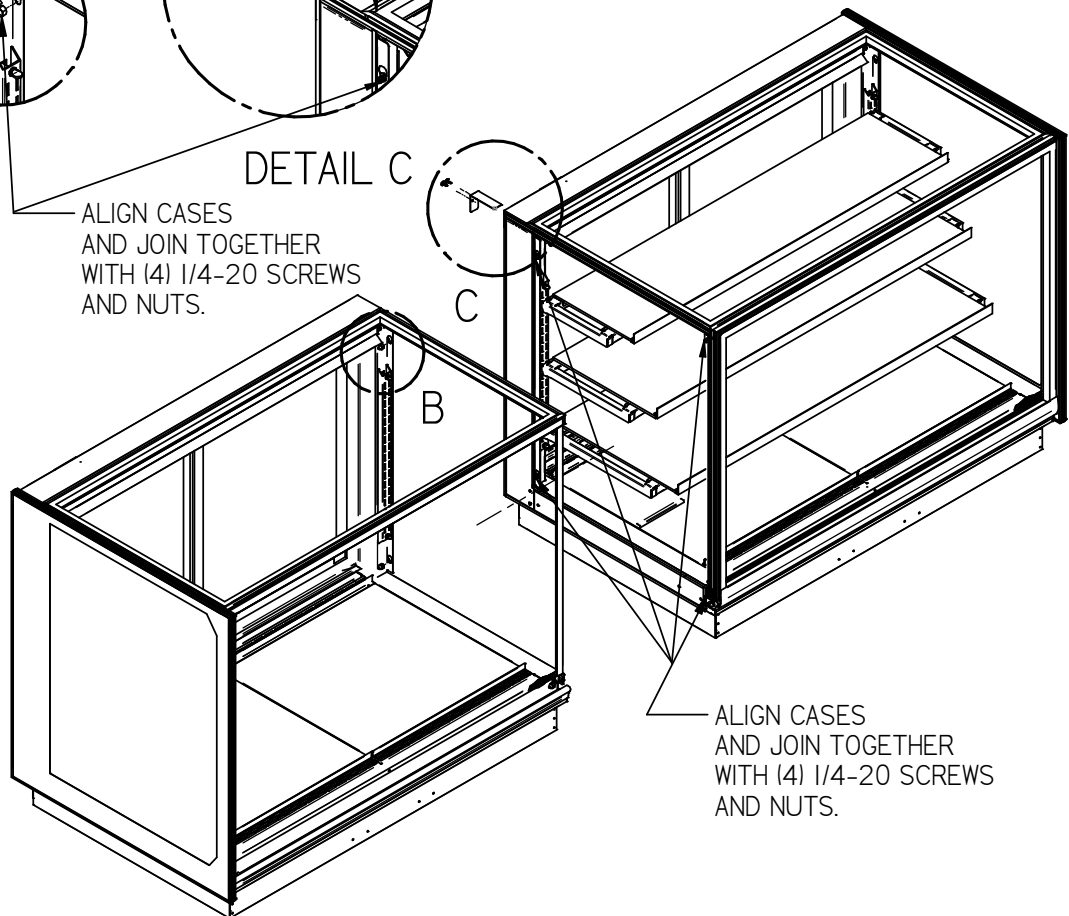


SLIDE EDGE OF TOP JOINING TRIM UNDER PLASTIC GLASS LIP



DETAIL C

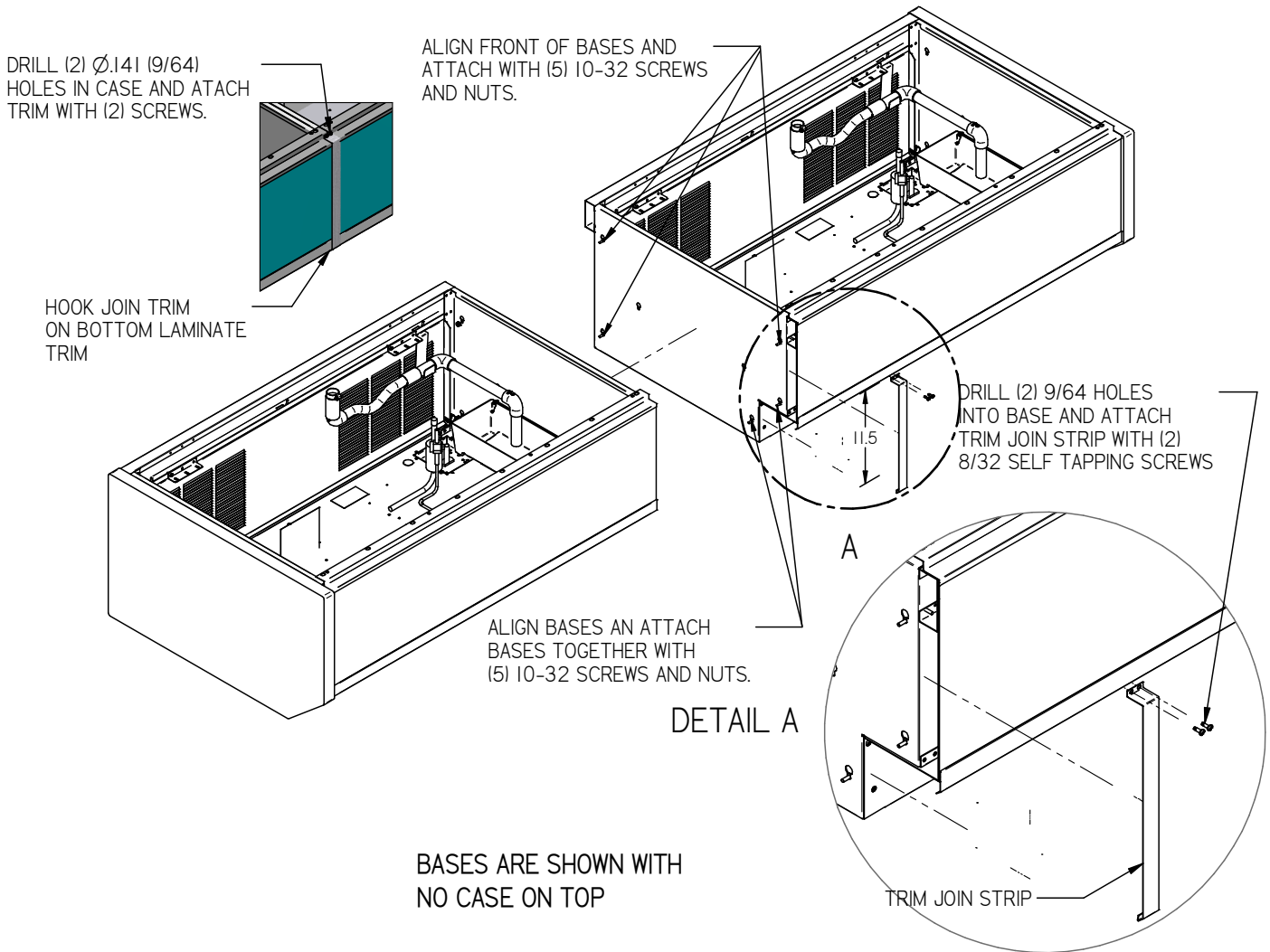
ALIGN CASES AND JOIN TOGETHER WITH (4) 1/4-20 SCREWS AND NUTS.



ALIGN CASES AND JOIN TOGETHER WITH (4) 1/4-20 SCREWS AND NUTS.

1. If cases are a Counter Top Models, cut holes in counter top as shown in **Cabinet Preparation** section In this manual.  
If cases are Floor Models, the cases are joined in the same manner but bases will also need to be joined as described in next section.
2. Push cases together and align front and rear of cases.
3. In the holes and slot location shown in above diagram, attach cases together with (4) 1/4-20 screws and nuts provided. If these are Floor Model cases do not tighten screws until completing **The Joining Floor Model Base Section**.
4. Slide the top join strip under the glass trim lip in top rear of case as shown in diagram above.
5. Attach Join Trim Strip with (2) 8-18 self-drilling screws.

## Joining Floor Model Bases (No End Panels Between)

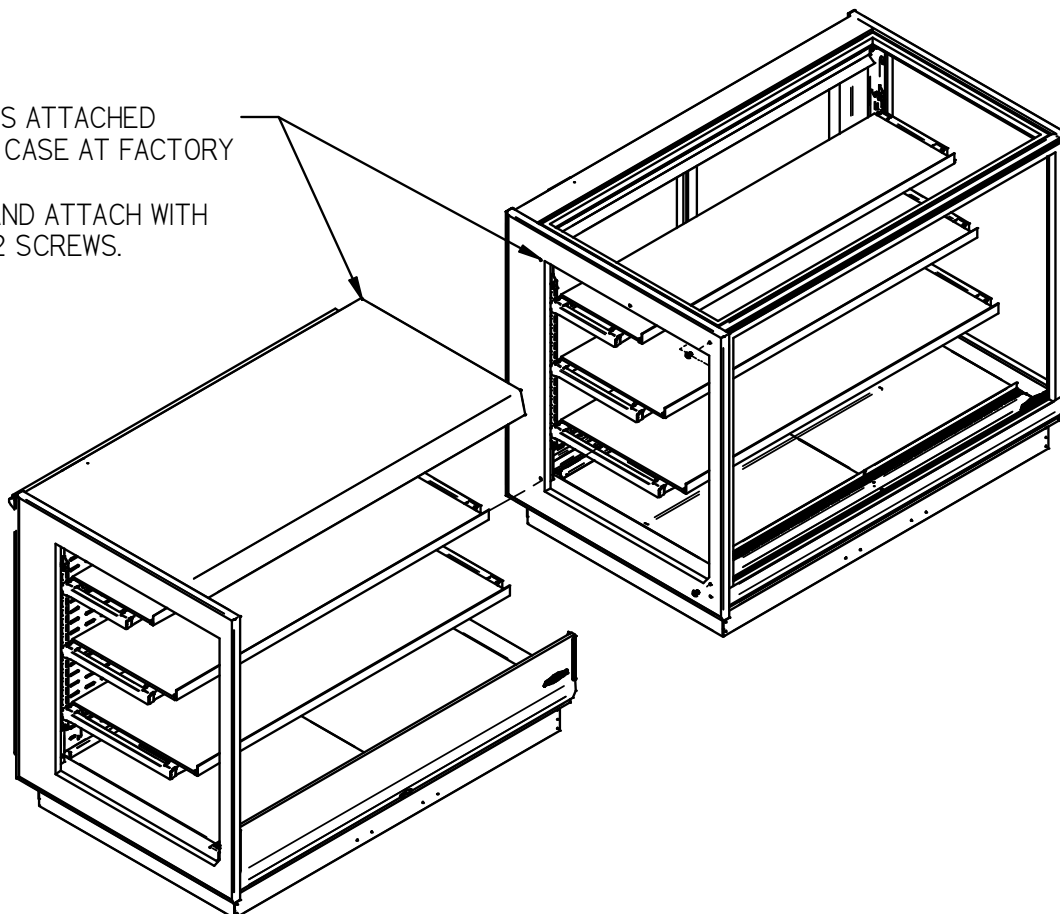


1. The cases are joined in the same manner as described in previous **Joining Cases** section, but the bases will also need to be joined.
2. Push cases together and align front and rear of cases.
3. Remove the base front and back panels as described in **Refrigeration Compartment Panel Removal** Section.
4. Push cases together and align front and rear of cases and bases. If there is a miss-alignment between cases and the bases, it may be necessary to loosen the screws holding the case to the base. The mounting brackets are located inside the top of the base and there are (2) in the front and (2) in the back. This will allow slight adjustment to improve alignment. Retighten these screws once components are properly aligned
5. Attach the cases together using (5) 10-32 screws and nuts provided. Attach in the (5) Key slot location shown in above diagram. There are no fasteners used on the (2) center key slots.
6. Tighten all joining screws and nuts in base and case at this time.
7. Trim the front of base by hooking Base joining trim strip under base valance and up over the top of base trim.
8. Mark the base in the location of the top holes in the base join trim strip. Drill (2) 9/64 holes in base and fasten base join trim strip to base using (2) 8-32 screws provided. Attach Join Trim Strip with (2) 8-32 self-tapping screws.

## Joining Cases (Single Glass End Between)

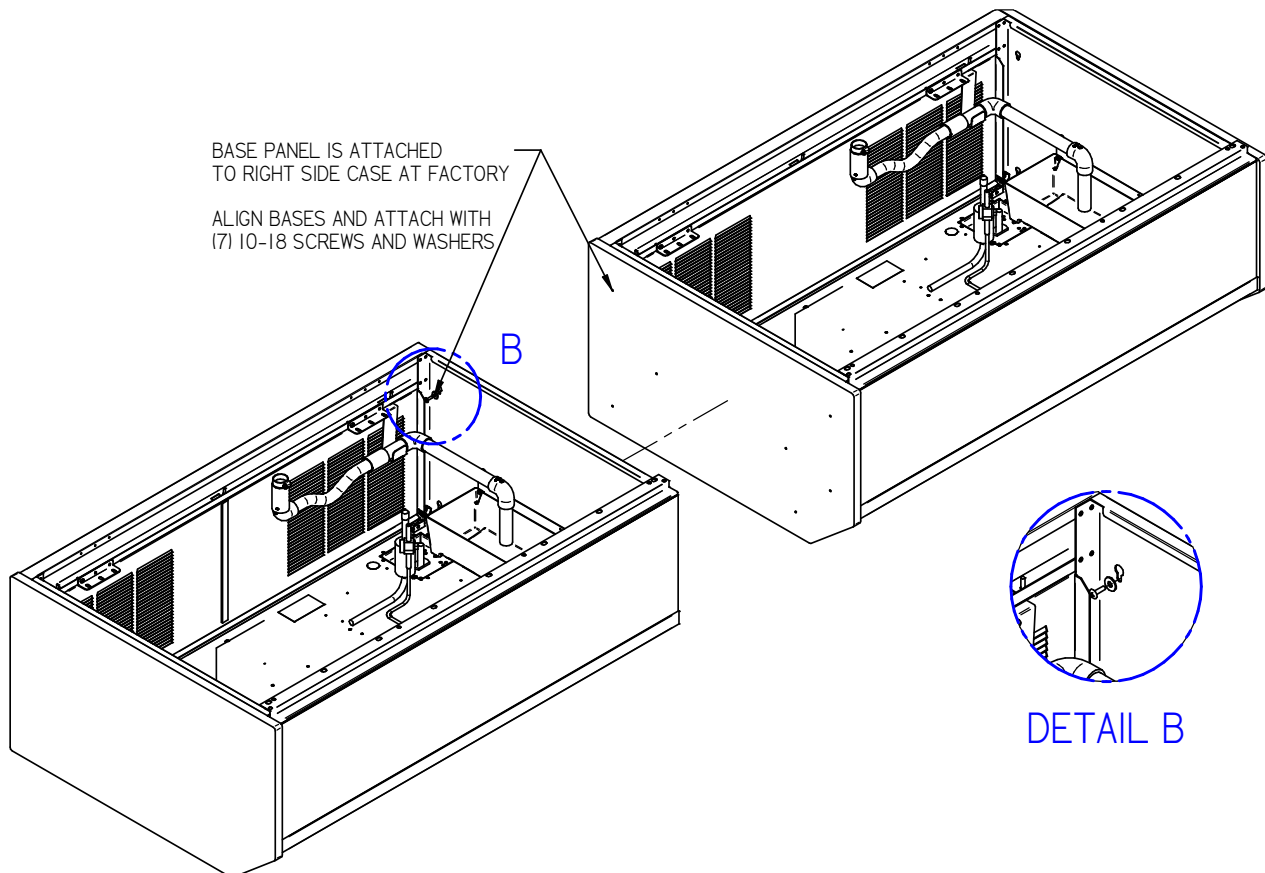
GLASS PANEL IS ATTACHED  
TO RIGHT SIDE CASE AT FACTORY

ALIGN CASES AND ATTACH WITH  
(4) 1/4-20 X 1/2 SCREWS.



1. If cases are a Counter Top Models, cut holes in counter top as shown in **Cabinet Preparation** section In this manual.  
If cases are a Floor Models, the cases are joined in the same manner but bases will also need to be joined as described in next section.
2. Push cases together and align front and rear of cases. Be sure case surfaces are tight together.
3. Attach the cases together with (4) 1/4-20 screws provided. Do not use screws to pull cases together. Glass bushing may strip or glass may break. If these are Floor Model cases do not tighten screws until completing **The Joining Floor Model Base Section**.

## Joining Floor Model Bases (Single End Panels Between)



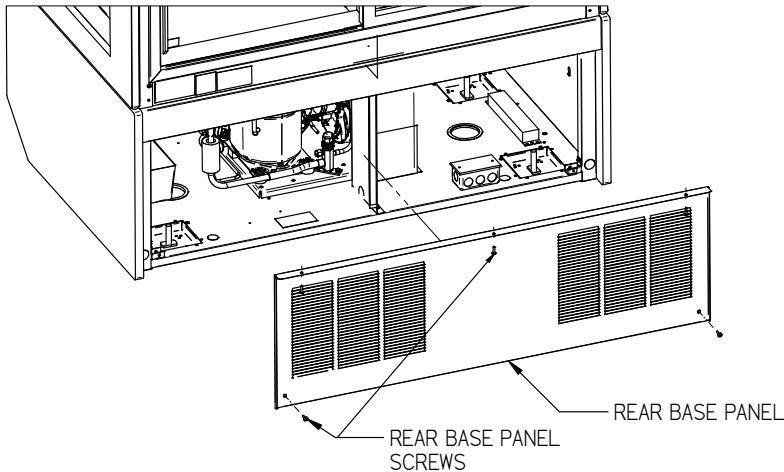
1. cases are joined in the same manner as described in previous Joining Cases section, but the bases will also need to be joined.
2. Push cases together and align front and rear of cases.
3. Push cases together and align front and rear of cases.
4. Remove the base front and back panels as described in **Refrigeration Compartment Panel Removal** Section.
5. Push cases together and align front and rear of cases and bases.
  - If there is a miss-alignment between cases and the bases, it may be necessary to loosen the screws holding the case to the base. The mounting brackets are located inside the top of the base and there are (2) in the front and (2) in the back. This will allow slight adjustment to improve alignment. Retighten these screws once components are properly aligned.
  - It may also be necessary to adjust leg levelers under base until case fronts align and the base side is tight together.
6. Attach the Left case to right case using (7) 10-18 screws and washers provided. NOTE: The bases must be placed tightly together. Do not try to pull cases together with screw or the panel will strip out.

# COMPARTMENT PANEL REMOVAL



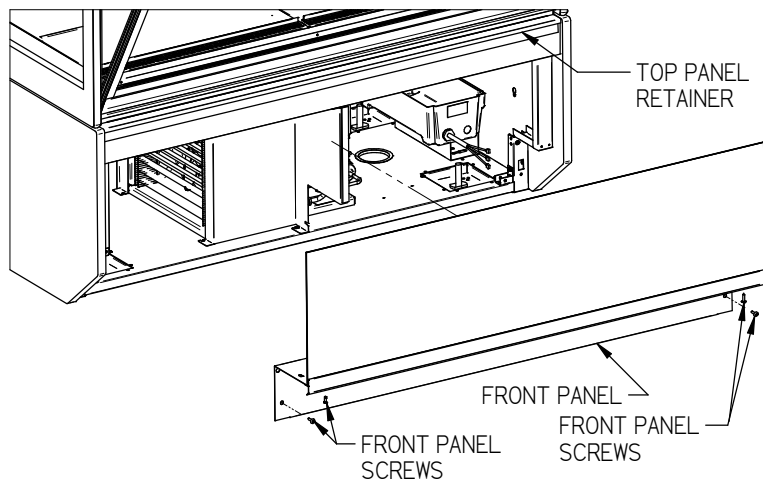
**DANGER:** Electric shock hazard. Do not operate unit with panels removed.

## Refrigerated Floor Base Models Back Panel (No Back Panel on Non-Refrigerated Models)



1. Disconnect power to Display Case.
2. Remove Philips head screws located in each lower corner of panel.
3. Remove Philips head screws located on top of panel under the base cross member.
4. Pull top of panel outward until lip on bottom of panel clears bottom of base and remove from case.

## Refrigerated and Non-Refrigerated Base Models Front Panel

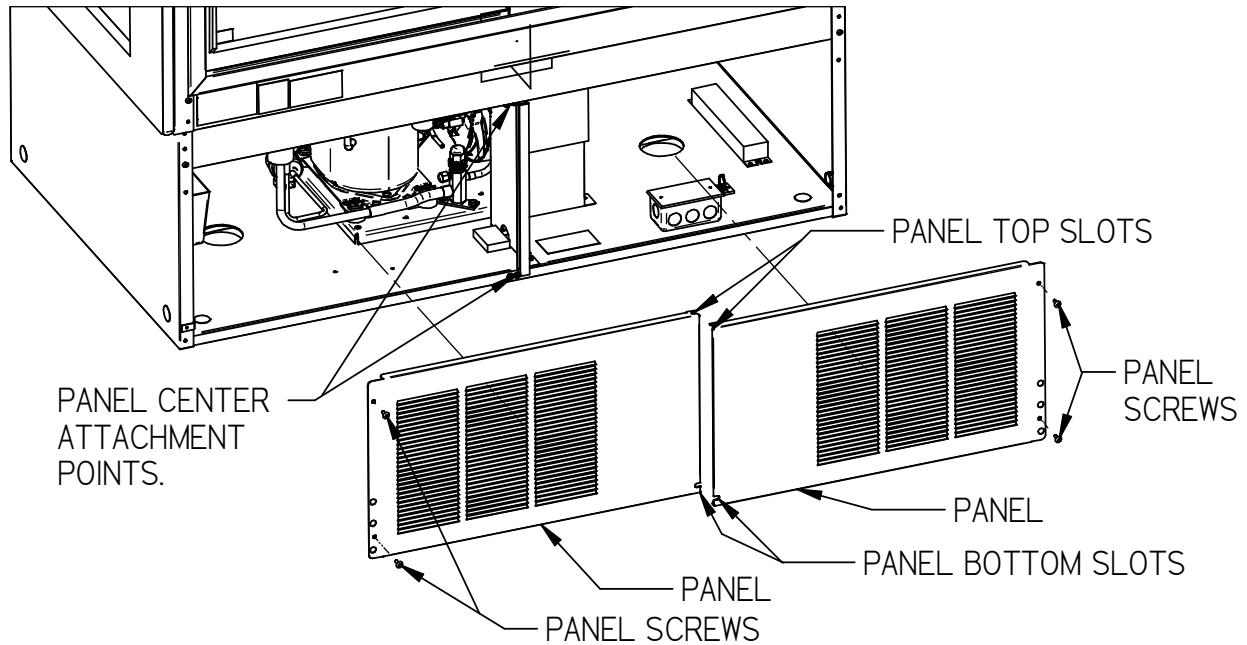


1. Disconnect power to Display Case.
2. Remove (2) front panel phillip head screws from each lower corner of front panel (1) is located on front of panel and the other under the recess behind trim strip. Do not remove the screws holding trip strip to front panel.
3. Slide the front panel down until it slides out of the top panel retainer lip at the top of the panel.
4. Install panel in reverse order.

## Refrigerated Counter Models Front and Rear Panels



**DANGER: Electric shock hazard. Do not operate unit with panels removed.**



On counter drop in models, the panels are split to allow panel to easily be removed out of swinging cabinet doors that may have a center post.

Also note that unit is shipped with louvered panels on back of case and solid panels on front. This allows air flow for condenser to be in and out of the back of cabinet. These louvered panels can be switched with solid front panels to allow air flow in and out front of cabinet. They can also be mixed with one louver panel in front and one in back to allow front condenser air in or out of front and rear air in or out back. This must be determined before placing unit into counter and cabinet must be prepped to allow desired air flow See cabinet prep section of this manual. When removing and installing panels be sure panels are reinstalled in correct location to allow condenser air flow.

Note: The front and back panels instructions are identical.

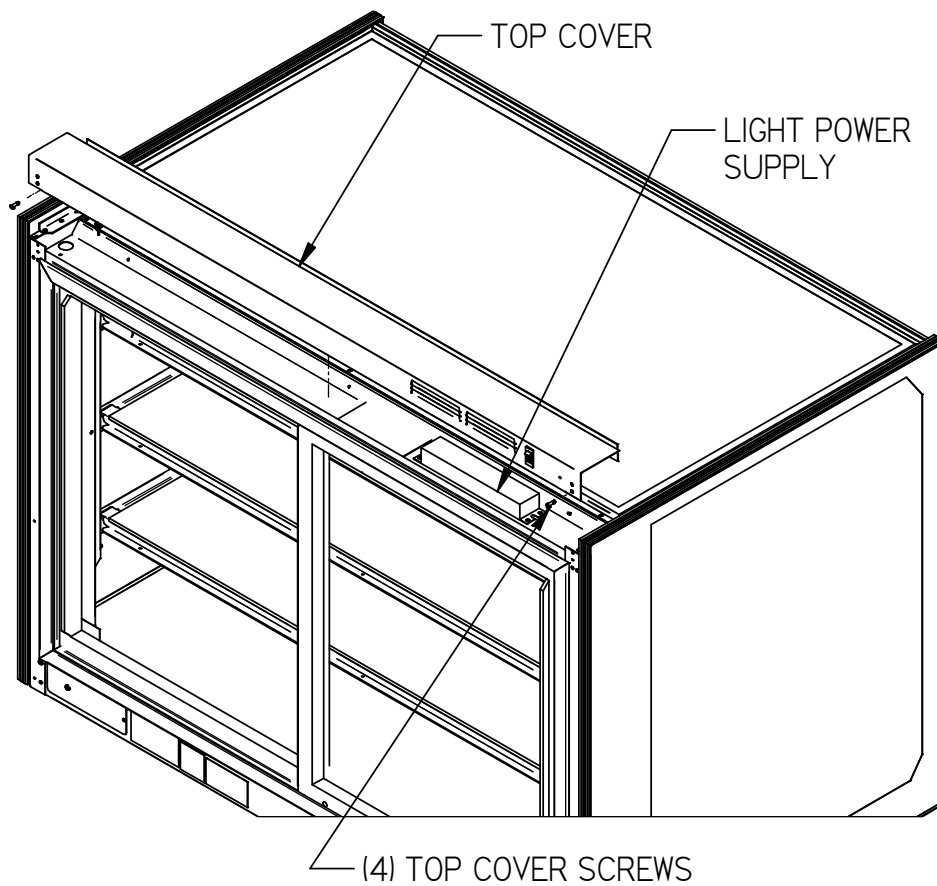
1. Disconnect power to Display Case.
2. Open cabinet door to allow access to condenser compartment.
3. Remove (2) panel screws in outside upper and lower corners of panel.
4. Slide slotted end of panel out of center attachment point and remove from case. Note: Do not remove screws from center attachment point.

### NON-Refrigerated Models Top Cover



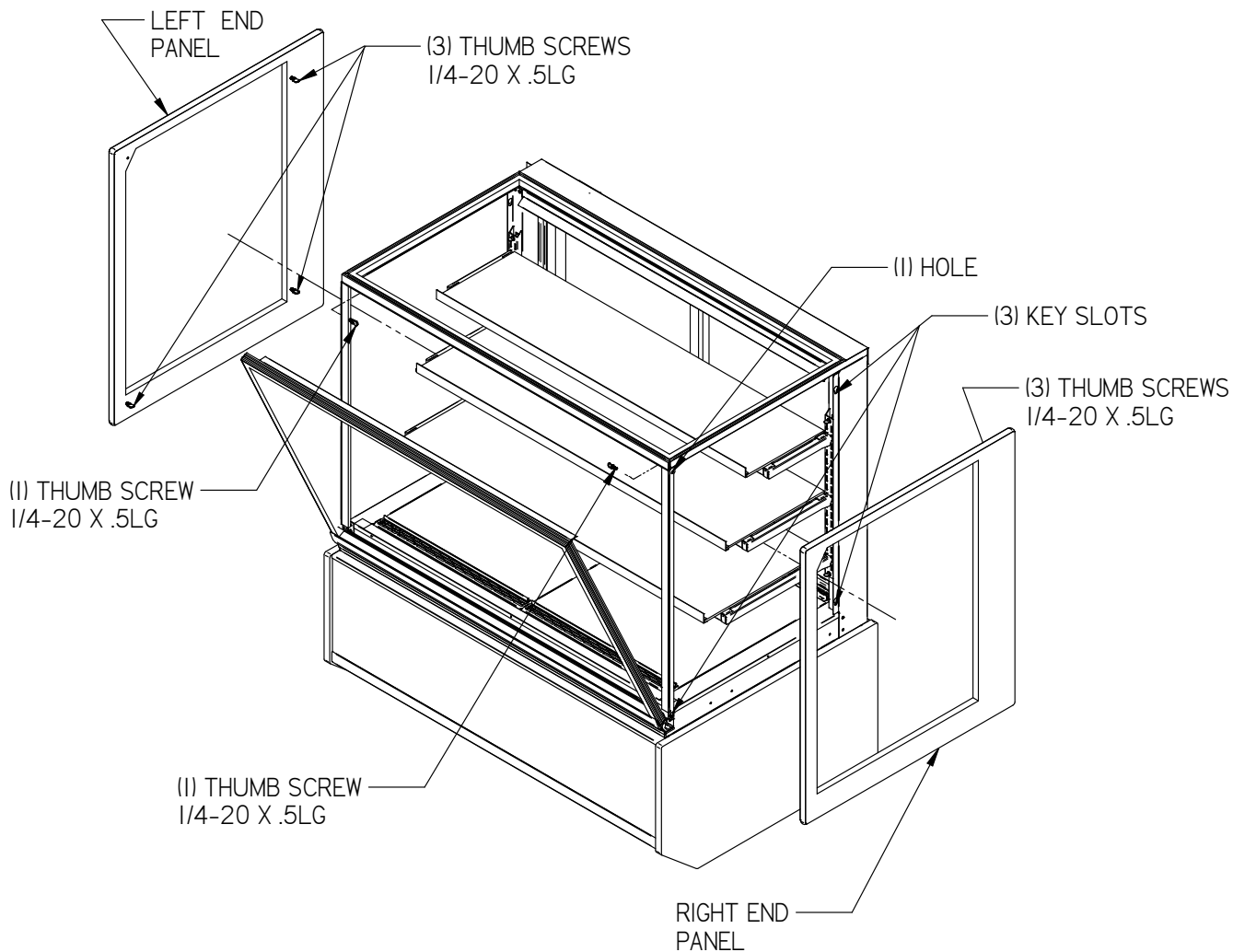
**DANGER: Electric shock hazard. Do not operate unit with panels removed.**

There are no components in base on NON-Refrigerated models.  
Light Power Supply is located on top of case under the top cover.



1. Disconnect power to Display Case.
2. Remove the (4) 8-32 top cover screws from top cover.
3. Slide the cover back from under the top glass trim.  
Note: there is a ground wire connected from case to the Top Cover  
To prevent electrical shock Do Not remove this wire.

# END PANEL INSTALLATION



-End Glass is shipped installed on Floor model units.

-End glass is shipped loose on counter drop in units and will need to be installed after unit is placed in to counter and lift handles are removed.

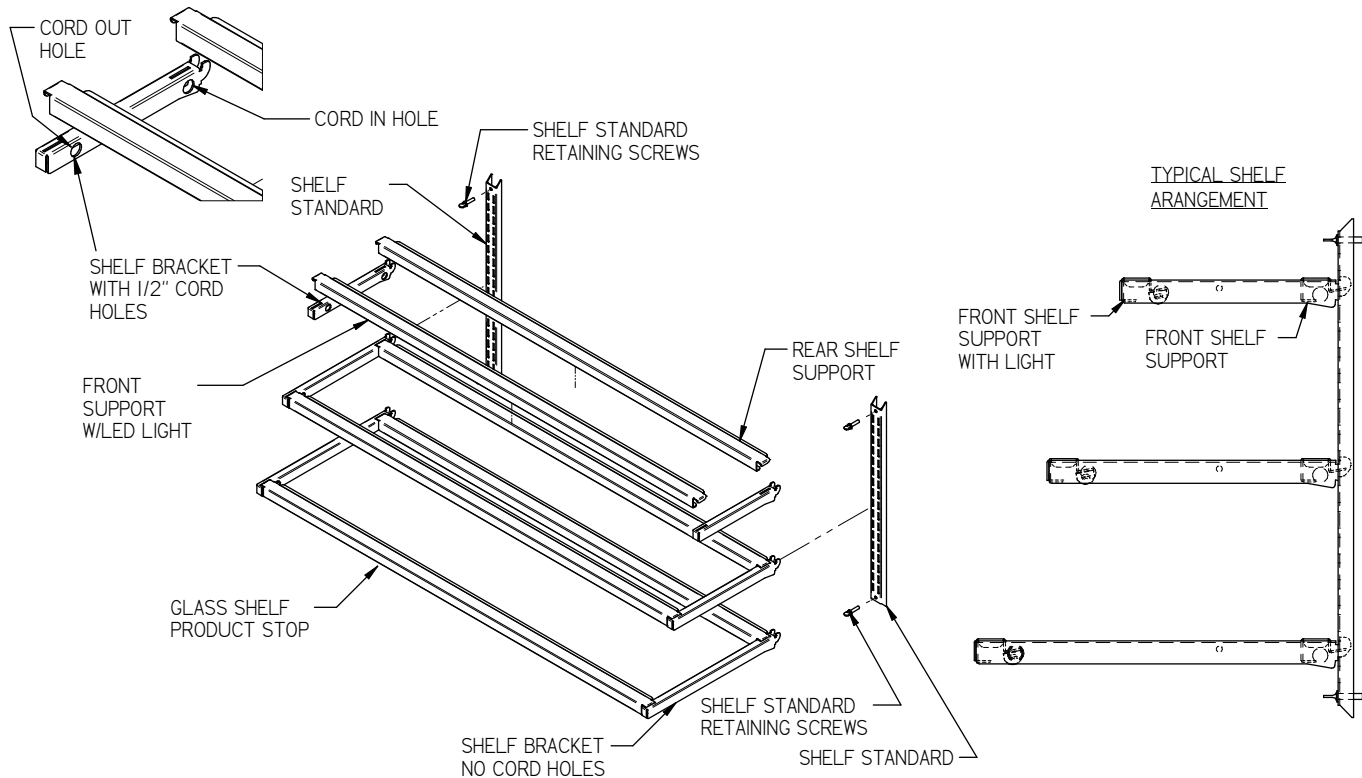
When placing cases in a line up, the number of end panels and end panel type may vary.  
See Case Line Up Installation section of this manual.

1. On each side of case there are (3) keyhole mounting slots for easier installation of glass. There is (1) mounting hole in the front top corner of case to prevent glass from accidentally popping off of end of case.
2. Screw (3) thumb screw about half way into end panel in location of the keyholes in case as shown.
3. Align end panel thumb screws with keyholes and hook end panel on to case. Do not tighten thumb screws.
4. Align the mounting hole in top front corner of case with top front hole in end panel and attach with 1/4-20 x .5LG thumb screw
5. Tighten all (4) thumb screws by hand.
6. Remove end panels in reverse order.

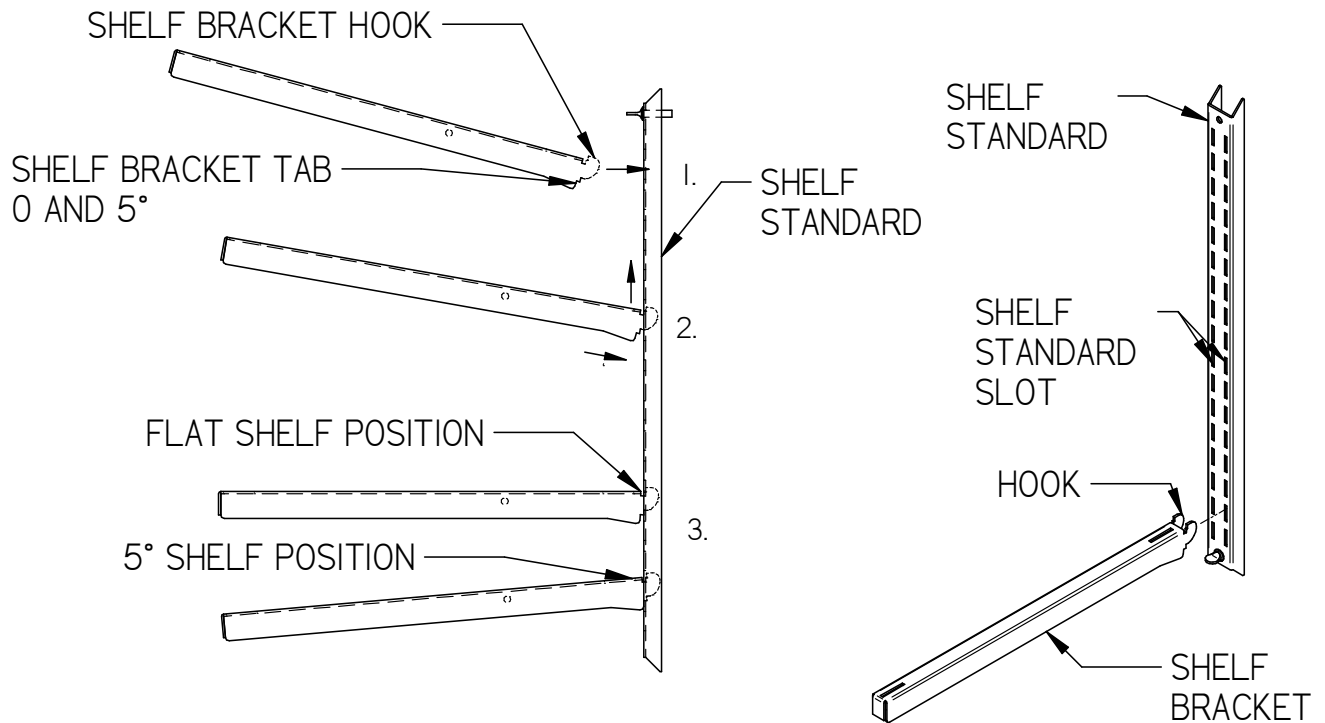
# SHELVING INSTALLATION & REMOVAL

## Shelf Bracket & Supports

NOTE: Different shelf sizes and quantities are optional from factory so shelf bracket quantity and size may vary, but procedure is the same.



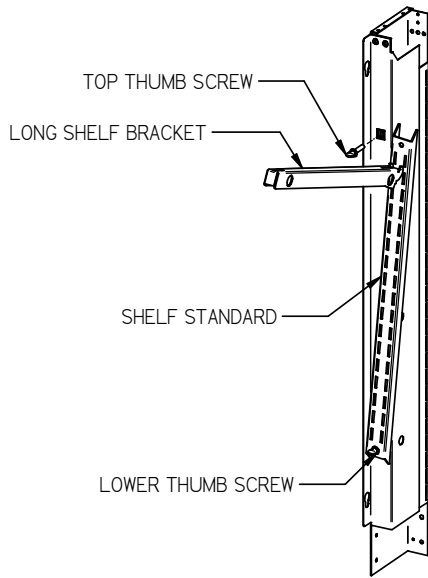
1. Turn the light switch to the off position. Remove rear doors as described in the "Rear Door Removal" section of this manual to allow access to interior of case.
2. Follow the instruction in the illustration below. Starting with the longest brackets for bottom shelf insert (1) of the (2) shelf brackets in the desired shelf standard slot on one side of the case. Place the long second shelf bracket in the same shelf standard slot on the opposite end of case. Important; The bracket with the 1/2 hole must be on the light cord side of case.
3. Repeat procedure for middle shelf brackets and the shortest top brackets. NOTE: Different shelf sizes and quantities are optional from factory so shelf bracket quantity and size may vary, but procedure is the same.
  1. Tilt shelf bracket upward and install shelf bracket hook into desired slot.
  2. Lift shelf bracket hook up behind back of shelf standard and rotate the shelf bracket downward until desired shelf bracket tab rests on front of shelf standard.
  3. Bracket can be either flat 0 degrees 5 degree downward tilt as shown.



4. Once all shelf brackets are installed in desired position run each shelf light cord into  $\frac{1}{2}$ " hole in back of shelf bracket and out the  $\frac{1}{2}$ " hole in the front of shelf bracket. The shelf light cord length can be adjusted by pulling out cord from cord grommet or pushing cord back into cord grommet.
5. Install front shelf supports with LED lights on to shelf brackets. All shelf supports with the lights are the same. The LED light must be facing towards back of case. Hook shelf support end flanges into front notch of shelf brackets on each side of case.
6. Install rear shelf supports with no lights on to shelf brackets. All shelf supports with no lights are the same. The flange on shelf support should be facing towards back of case. Hook shelf support end flanges into rear notch of shelf brackets on each side of case
7. Push shelf light cords into end of LED light. NOTE: Do not plug cord in backwards. There are (2) humps on end of cord that must align with humps in end of LED light. Plugging in the cord upside down will Damage LED light strip.
8. Manage desired cord lengths by pulling out cord from cord grommet or pushing cord back into cord grommet.

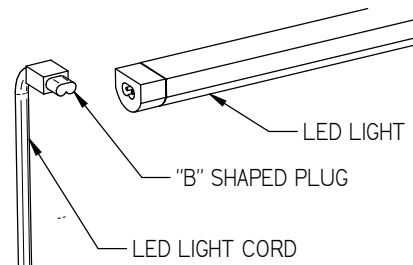
NOTE: Cords always remain in case they are not removable.

## Special Length Shelf Installation



If the top shelf has long brackets and needs to be placed in top shelf standard notch position the shelf bracket may hit top panel or divider panel when trying to install it. If top slot is required install bracket as follows:

1. Remove the shelving from cases.
2. Loosen bottom thumb screw (do not remove)
3. Remove top thumb screw
4. Rotate the shelf standard towards center of case until the shelf bracket can be slipped into slots of standard.
5. Once shelf bracket is in place, rotate the shelf standard back to vertical position and reinstall top thumb screw and tighten.
6. Tighten lower thumb screw and install shelving as described in shelving installation.



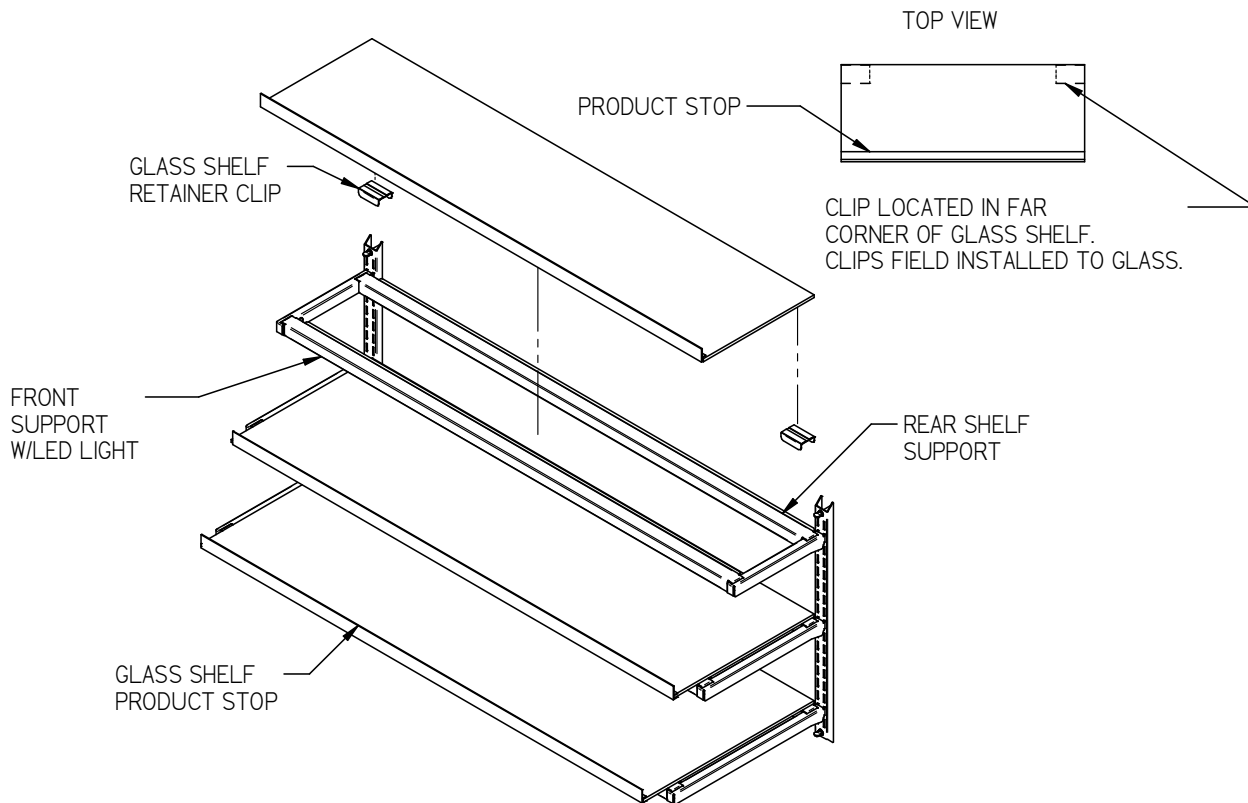
## LED Light Plug Connection

**NOTICE: The plug must be inserted in correct orientation into LED light. LED light will not light if Connecting plug into LED light upside down. It may also cause LED light failure.**



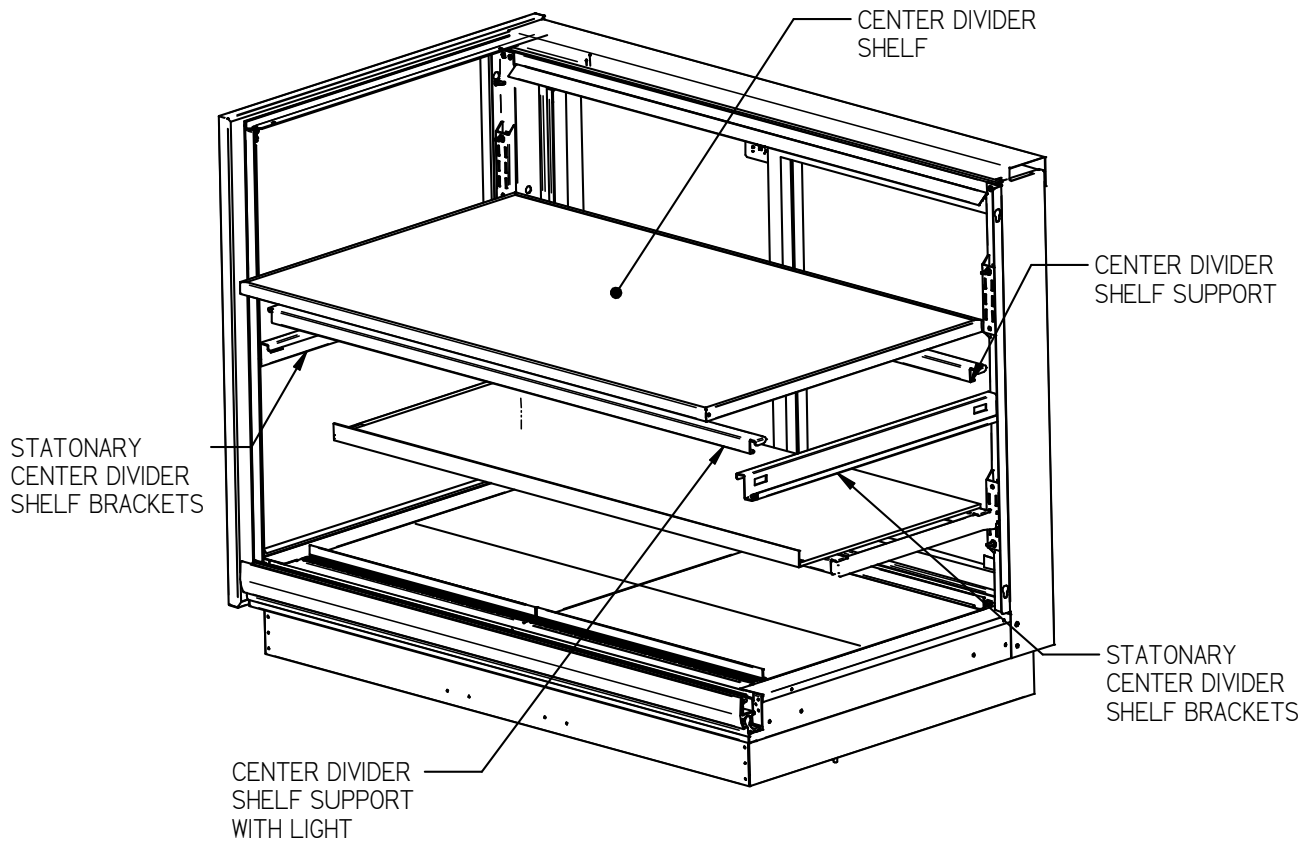
Look at the end of the plug and the receptacle of LED light. On one side of the LED plug there are two bumps and the other side there is a flat. (Similar to the letter B shape). The LED light has the same configuration. The shapes must align correctly when inserting LED plug into the LED light.

## Glass Shelves



1. For first time installation attach (2) glass shelf retainer clips to each glass shelf in location shown in illustration. Clean area of glass where glass shelf holder is to be located with rubbing alcohol and let air dry before installing shelf glass holder. Remove backing from tape located on flat side of glass shelf holder. Position the glass shelf holders in the (2) far corners of glass. Repeat for each glass shelf.
2. Place front of glass
3. Set each glass shelf on to the shelf supports so that the glass shelf retainer clip straddles the rear support. The top glass should be the narrowest glass and the bottom glass shelf should be the widest.

## Horizontal Dual Zone Shelf Divider Installation



Horizontal Dual Zone option has a stationary center shelf that divides upper and lower section. This allows the upper section to be about 15 degrees warmer then the lower section.

The center divider brackets are stationary and are mounted in case from the factory.

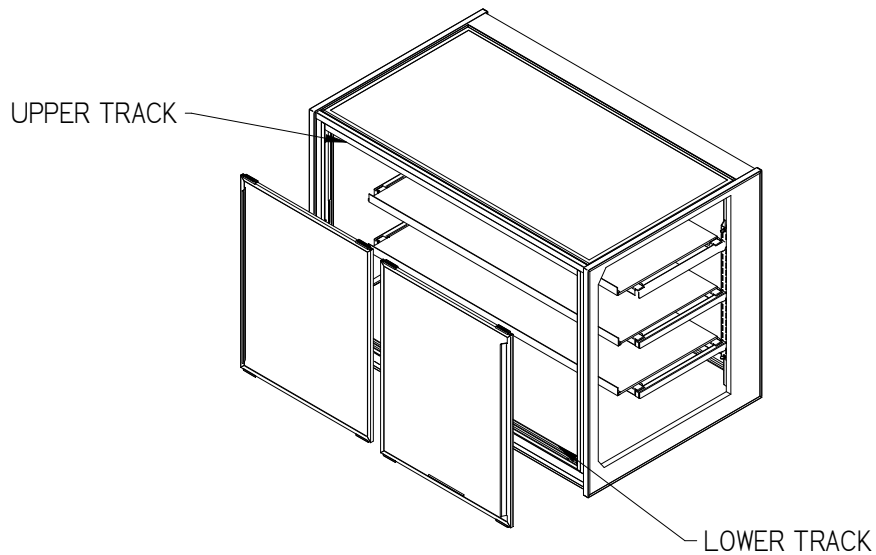
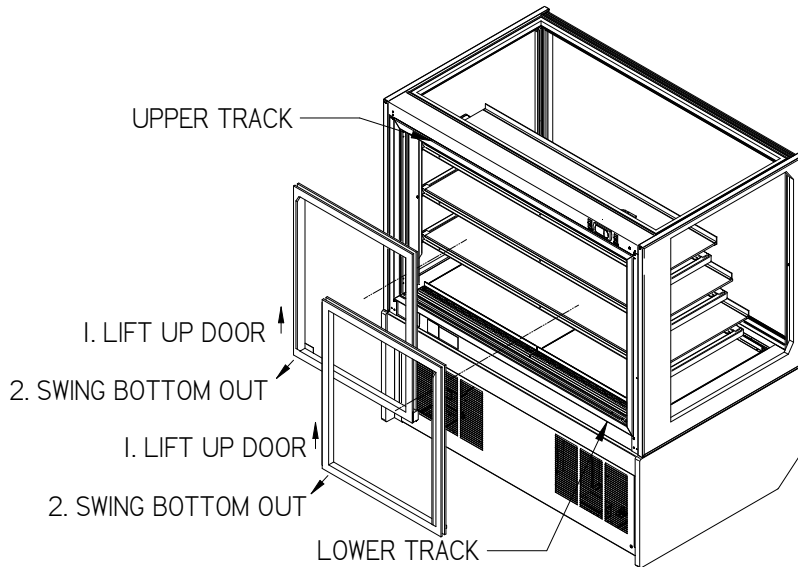
The 34" tall unit has a shelf above and below the center divider and the 26" tall unit only has a shelf below the center divider. Install these shelves as outlined in the shelving installation section of this manual.

Install both shelf supports by hooking the shelf support into the notches on the center divider shelf brackets. The shelf support with light should be on the front with light facing into case.

The center divider shelf can be installed through the front of case by opening the front glass or through the back of case by removing both doors. Place it across the shelf supports and push towards the doors until it hits the stops located on the back of the shelf brackets.

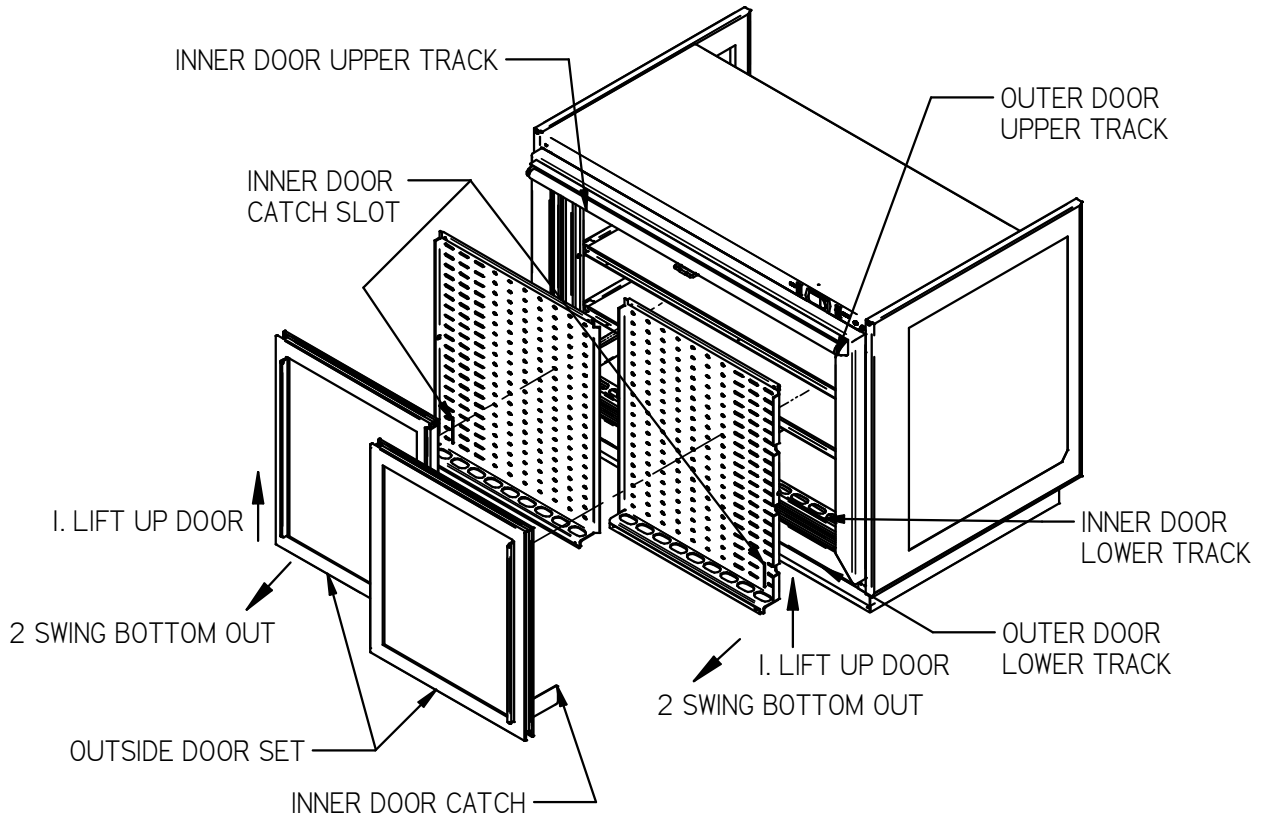
# FRONT AND REAR DOORS REMOVAL

ITR, ITD, ITDSS, AND ITDSSF Models  
(Front Doors ITDSS Only)



1. Start with the outer door and lift the door upward until the bottom edge of door clears the lower track and then swing the bottom of the door outward and down out of upper track.
2. After the outer door is removed repeat the procedure for the inner door.
3. Reverse this procedure for door reinstallation. Rear doors are not interchangeable.

## ITRSS Models



1. Start with the outer outside door and lift the door upward until the bottom edge of door clears the lower track and then swing the bottom of the door outward and down out of upper track.
2. Remove the outer inside door using the same procedure.
3. The inner door set can then be removed using the same procedure starting with the inner outside door followed by the inner inside door.
4. Reverse this procedure for door reinstallation starting with the inner inside door followed by the inner outside door. Check that the doors slide freely.
5. Replace the outside inner door and the outside outer door. Be sure to slide the inner door catch into the inner door catch slot for each door.

Note: None of the doors are not interchangeable and they must be replaced in the same location that they were removed from.

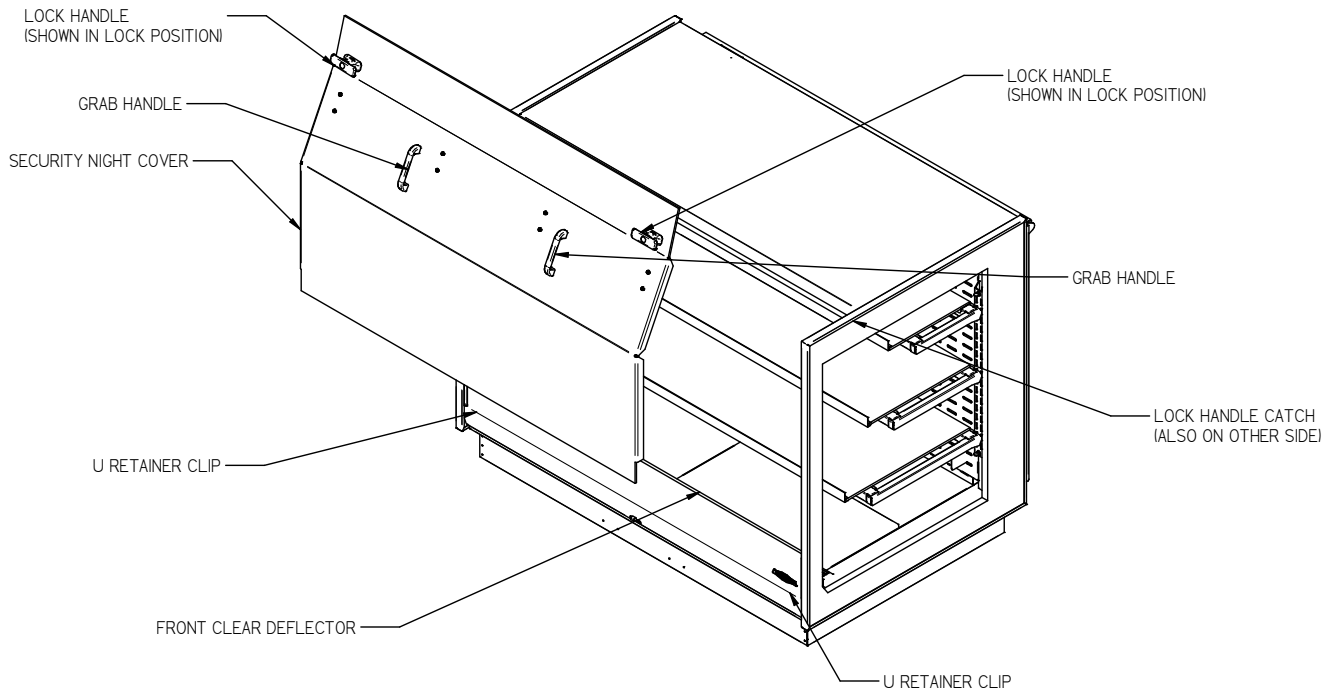
---

---

# SECURITY NIGHT COVER (OPTION)

---

---



## **Removal:**

1. Unlock the lock handles and turn handles to the vertical position to disengage from lock handle catches.
2. Grasp the front grab handles and lift the cover straight up and out of the case opening.

## **Installation:**

1. Turn the lock handle so the latch handle is vertical to the top of the case.
2. Holding the grab handles place the bottom flange of the security night cover inside the “U” retainer clips located on each side of case opening behind the front clear deflector. There also may be a “U” retainer clip in the center of the case that must also engage the security night cover flange.
3. Set the top flange of the security cover down against the top glass handle.
4. Turn the lock handles so they engage the lock handle catches and use the key to lock them in place.

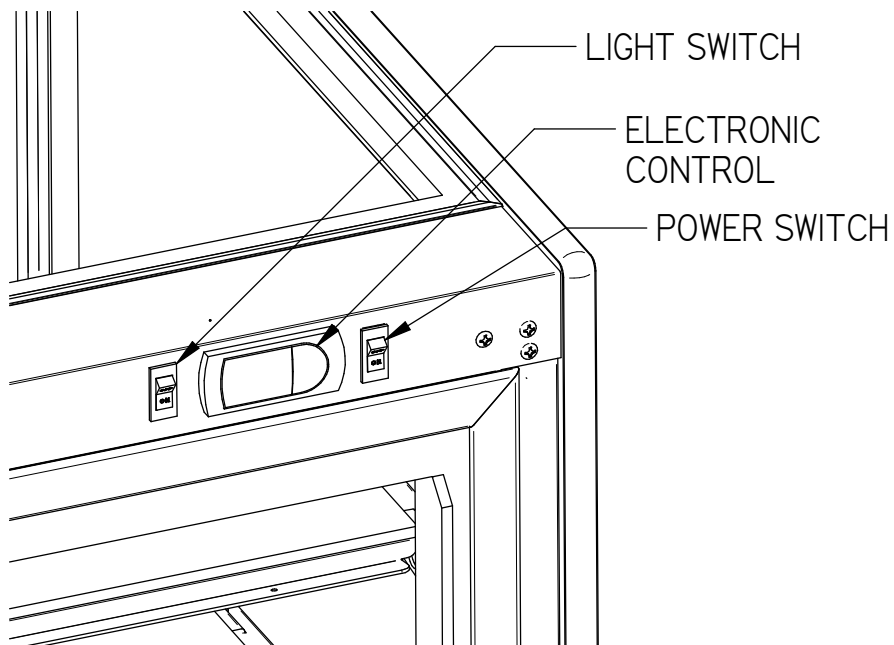
**IMPORTANT:** Cleaning the Acrylic plastic security night cover require special care to prevent hazing of material. Lightly dust (not wipe) the surface with clean soft cloth. Then the surface can be wiped carefully with a soft, wet cloth or chamois. The cloth or chamois must be kept free of grit by frequently rinsing in clean water. Grease and oil can be removed with kerosene. Do not use window cleaners or kitchen scouring compounds. DO NOT use solvents such as Acetone, Benzene, Carbon Tetrachloride, and Lacquer Thinners. A spray wax such as Pledge or Maguire’s polish can be applied and wiped with a clean soft cloth. The wax tends to fill in and hide small scratches.

# OPERATING INSTRUCTIONS

## Control Description



**NOTICE:** This refrigerated display case is designed to operate in a maximum environment of 80 DEG. F and 55% relative humidity. Exceeding these limits will cause poor case performance and sweating of glass panels.



### Power Switch (Refrigerated Models Only)

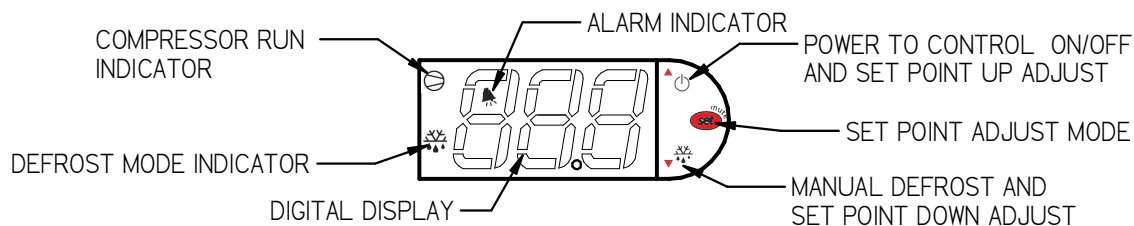
The unit has a power switch that turns off power to the entire unit, including the condensate evaporator and the lights.

### Light Switch (All Models)




The unit has a light switch that turns on and off the interior lights of unit.

### Electronic Temperature Control (Refrigerated Models Only)



The temperature control allows the user to adjust the temperature of the display merchandiser to their needs. When not in adjustment mode the read out shows relative interior case temperature.





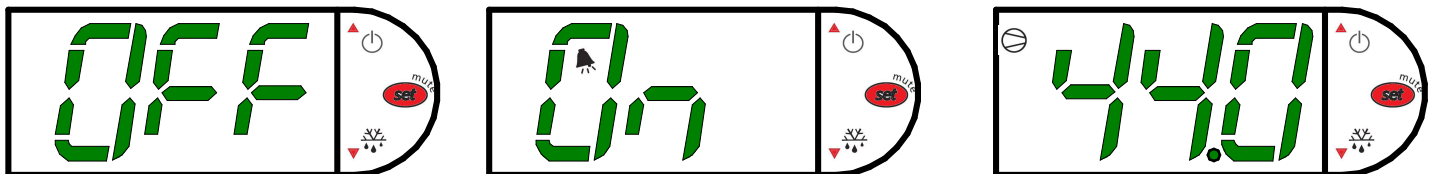
## Button Overview

	<p>Press and hold this button for 3 seconds to turn system on (if off) or off (if on). Also used to adjust set point when in set point adjust mode</p>
	<p>Press to enter set point adjust mode, confirm set point changes, and mute alarms.</p>
	<p>Press and hold this button for 3 seconds to initiate a manual defrost (and cancel defrost if initiated), also adjusts set point down when in set point adjust mode</p>


## Powering on control



To turn refrigeration control power on, press and hold  for approx. five seconds. The display will read "On" while the button is depressed. When the control powers on, the display will read the relative current case temperature (on initial startup it will show room temperature). The compressor run indicator  will illuminate on the display, meaning that the compressor is running. (Note: the control may already be in the on mode when shipped from factory).


To turn refrigeration control power to off, press and hold  for approx. five seconds. The display will read "Off" while the button is depressed. When the control powers off the display will flash back and forth between the relative current case temperature and "Off". The compressor run indicator  will be off on the display. When refrigeration control is in the off-mode cabinet lights and evaporator fans will still operate, but the compressor will not turn on causing the case to gradually reach room temperature.  
**(NOTE: Cases supplied with optional fan control unit will turn on and off both the compressor and the evaporator fans when control is turned on and off).**

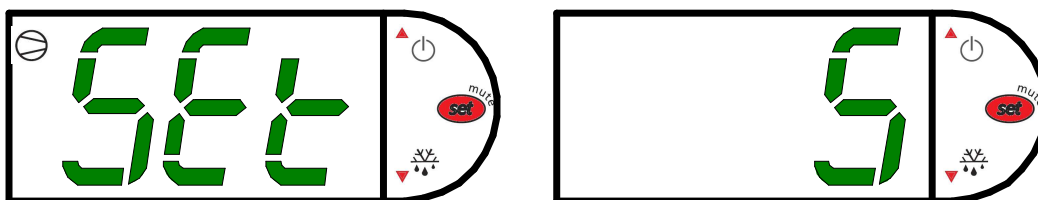


## Adjusting the set point





The set point is what determines how cold the display case will hold food and beverage. To adjust the set point press and hold the  button approx. 5 seconds until the display begins to flash a number.

Then press the use the  button to scroll number up (colder) or press the  button to scroll number lower (warmer). There are nine (9) available set point numbers, the higher the number of the set point, the colder the display case will run, with setting "9" being the coldest and setting "1" being the warmest.

Once you have chosen your desired setting press the  button again to confirm your choice.




## Entering manual defrost mode

In order to initiate a manual, defrost press and hold the  button approx. 5 seconds. The control will read “dEF” while the button is being held. The defrost is initiated when the defrost mode indicator  illuminates on the display. The control display will then return to reading the case temperature. When the defrost mode indicator  turns off the defrost is complete and the compressor will turn back on illuminating the compressor run indicator .



## Error codes

It is possible for error codes to be displayed on the control screen. In the event of a malfunction an alarm will sound and the alarm indicator  will be displayed on the display. An error code or codes will flash intermittently on the display. If there are multiple codes, the display will continuously cycle through them. The following photo shows error code “E0” as an example.



**Mute:** You may mute the alarm by pressing and releasing the wrench button. The red ringing bell and all error codes will still be displayed. When the fault is remedied the control will return to normal operation and will automatically clear the codes from the display.

Error codes may be encountered if either the controller or the display case is malfunctioning. The following is a list of error codes that may be encountered.

**Table 1 - Error Codes and Resolutions**

Code	Description	Cause	Resolution
E0	Temperature probe error	Probe signal is interrupted or short-circuited	<ol style="list-style-type: none"> <li>1. Check to ensure probe wires and quick disconnect are secure in control.</li> <li>2. Check probe resistance to table below. If 0 resistance is present check wiring insulation. If infinite resistance is present check for breaks in wiring (meter will likely read overload or very high in the mega-ohm range).</li> <li>3. Ensure that probes are wired per the wiring diagram provided.</li> <li>4. Replace probe if other remedies fail, or if probe resistance deviates from “<b>Error! Reference source not found.</b>” <b>Error! Reference source not found.</b></li> </ol>
E1	Defrost probe error	See E0	
EE	Unit parameter reading error	Operating conditions	<ol style="list-style-type: none"> <li>1. Remedy abnormal operating conditions. The control is rated to operate in a range of 14 to 122°F (-10 to 50°C) and less than 90%RH non-condensing.</li> <li>2. Replace control if problem persists.</li> </ol>
EF	Operating parameter reading error	See EE	

**Table 2 - Temperature Probe Common Resistance Chart**

Probe Temp	Maximum Resistance [ $\Omega$ ]	Normal Resistance [ $\Omega$ ]	Minimum Resistance [ $\Omega$ ]
32°F (0°C)	27.83	27.28	26.74
77°F (25°C)	10.1	10	9.9
212°F (100°C)	1	0.97	0.94

## **ELECTRONIC CONTROL OPERATION (Refrigerated Models Only)**

This unit is equipped with an electronic temperature control. The control parameters are set at the factory and cannot be manually changed in the field. The preset control parameters are listed on the chart in the Settings Chart below.

### **Operation**

The control uses two sensors, one located in the air stream and one located on the evaporator coil. The sensor located in the air stream is referred to as the temperature control sensor. The sensor located on the evaporator coil is referred to as the defrost probe.

The temperature control sensor is located on the plastic tub behind the evaporator coil to the left in the cold air stream. The sensor location is critical for proper operation on the unit. Do not move or relocate this sensor.

The coil sensor is strapped to the evaporator coil. This sensor location is critical for proper operation of the unit. Do not move or relocate this sensor.

The temperature control is set to cut in at 39°F (3.9°C). The Temp control cuts out at 26°F (-3.3°C) at the coldest setting "9" and 36°F (2.2°C) at the warmest setting "1".

### **Defrost Cycle**

The control is programmed to initiate defrost via two different methods. There are 3 programmed defrost cycles in the case which will initiate a defrost cycle every 8 hours. The unit does not have a time clock so the defrost cycles cannot be set for any specific time of day.

The unit also has an 'On demand' defrost feature that will initiate a defrost when the temperature differential between the evaporator temperature and the air temperature is more than 20°F (11.1°C) for 5 minutes after 30 minutes into the refrigeration cycle (e.g. if the air stream probe measures 42°F/5.6°C or greater and the defrost probe measures 20°F/-6.7°C or lower for five minutes). Once initiated the defrost cycle will terminate when evaporator coil sensor reaches 43°F (6.1°C).

If a manual defrost is required, one can be initiated by pressing and holding the down arrow for three (3) seconds. This is typically unnecessary and should only be performed if special circumstances require it.

## **Initial Startup**

After all the checks outlined in the installation section of this manual have been made, the case is ready to be put into service. Turn on the Power at the breaker box and flip the Power Switch and Light Switch on unit to the on position. Also ensure that the control is powered on as described above.

### **(Refrigerated Models Only)**

At start up from a warm unit, it is recommended that the temperature control is set to a mid-setting, such as 5. After the unit has gone through several cycles, adjust the control to a warmer or a colder setting if

necessary to maintain desired product temperature. Allow refrigerated models to run for at least two hours before placing pre-chilled product into display area.

### **Placing Product into Case**

After completing shelving installation as outlined in “Shelving Installation and Removal” section of this manual you may begin placing product into the display case.

- Do not exceed 100 pounds of weight per shelf. Heavy product should be distributed evenly across the entire shelving area.
- Determine desired shelving location and angle before placing product in case. Product must be removed to readjust shelf location and angle.

### **(Refrigerated Models)**

- Do not overhang the front shelves with product. Product may overhang rear of shelf, but allow a minimum of 1-1/2” between product and rear door. Improper clearance in front and rear of shelf will block the refrigerated airflow and could cause product loss.
- Do not block the slots along the front or rear of the case display pan. Covering these slots will block the refrigerated airflow and could cause product loss.
- The display pan is removable for cleaning and can become dislodged in shipment. To ensure proper airflow and performance of the case, make sure that the display pan is pushed completely down into evaporation tub. Check that the pan is installed properly before placing product the display pans.
- Allow a minimum of 2” between the top of product and bottom of shelf.

**-CASE SHOULD BE STOCKED WITH PRE-CHILLED PRODUCT ONLY.**



#### **NOTICE:**

**This refrigerated display case is designed to operate in a maximum environment of 75°F (23.9°C) and 55% relative humidity. Exceeding these limits will cause poor case performance and excessive sweating.**

# MAINTENANCE

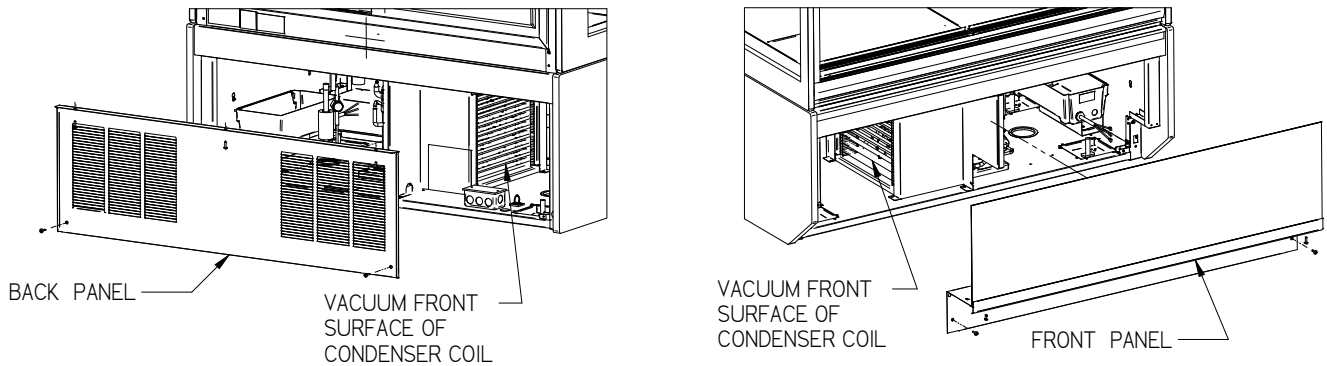
**IMPORTANT:** Read this Section of this manual located on page 5.  
“REFRIGERATION WARNING & INSTALLATION-REPAIR-DECOMMISSIONING”  
All refrigeration and electrical work must be performed by certified technicians.

## Cleaning Condenser Coil (All Self Contained Refrigerated Models)

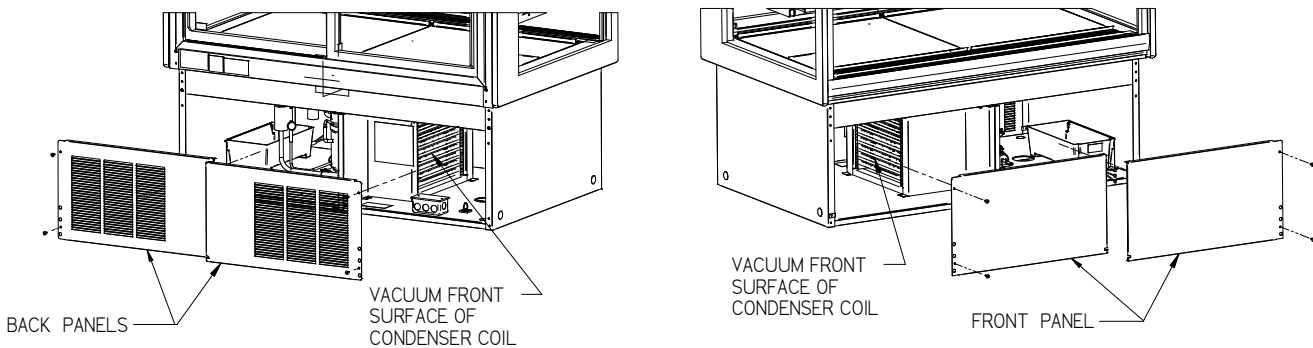


**NOTICE:** Condenser coil must be cleaned a minimum of twice per month to insure proper refrigeration performance and prevent compressor failure. In some environments, it may be necessary to clean more frequently. **FAILURE TO CLEAN CONDENSER COIL WILL VOID COMPRESSOR WARRANTY.**

### FLOOR BASE ITR MODEL



### COUNTER ITR MODEL



It is very important that the Condenser coil is cleaned monthly to insure proper refrigeration performance and to prevent compressor failure. Failure to clean condenser coil will void condenser warranty.

The condenser can be cleaned from either the front or the back of case depending on which is more accessible.

1. Disconnect power to the unit.
2. Remove the back or front panels located on the base or condenser compartment of unit. See Panel Removal section of this manual.
3. Carefully vacuum the front surface of condenser coil. Take care not to bend coil fins with vacuum cleaner nozzle.
4. Reinstall all panel and retaining screws and reconnect power.

## **Top LED Light Replacement**

1. Turn power switch and light switch to off position.
2. Unplug 24v DC power wire from end of existing LED light strip.
3. Snap existing LED strip out of retaining clips.
4. Snap the new LED light strip into retainer clips
5. Reattach the 24v DC power wire into end of the new LED light strip. NOTE: Do not plug cord in backwards. There are (2) humps on end of cord that must align with humps in end of LED light. Plugging in the cord upside down will Damage LED light strip.
6. Turn power switch and light switch to on position.

## **Shelf LED Light Replacement**

1. Turn power switch and light switch to off position.
2. Remove Shelf from display case.
3. Unplug 24v DC power wire from end of existing LED light strip.
4. Remove the shelf support with light from case.
5. Use a putty knife between the LED and the shelf support to cut the double-sided adhesive holding LED light strip to case. Clean as much adhesive off of shelf support as possible.
6. Attach new LED light strip to shelf support using double sided adhesive.
7. Reinstall shelf support and shelf into case.
8. Reattach the 24v DC power wire into end of the new LED light strip. NOTE: Do not plug cord in backwards. There are (2) humps on end of cord that must align with humps in end of LED light. Plugging in the cord upside down will Damage LED light strip.
9. Turn power switch and light switch to on position.

---

---

# **CLEANING INSTRUCTIONS**

---

---

## **Daily Cleaning**

The case should be cleaned thoroughly, as described in the weekly cleaning section, before it is used for the first time.



**NOTICE:**

**Avoid splashing or soaking any electrical components with water to prevent electrical damage to the case.**



**NOTICE:**

**Shut off lights and power switches and remove all product from case. Allow sufficient time for the unit to reach room temperature before proceeding with cleaning.**



**NOTICE:**

**Remove all product from case before proceeding with cleaning procedure.**



**NOTICE:**

**Acrylic front air deflector, plastic inner doors, and lift up doors requires special washing procedures to prevent hazing and yellowing of material.**



**NOTICE:** This case is not designed to be cleaned by flushing.

### **ITR, ITD, ITDSS and ITDSSF Models**

**Note:** For major spills or foreign material buildup use complete weekly cleaning instructions.

**Note:** Detergents are not recommended and do not use abrasive cleaners or pads to prevent scratching of surfaces.

1. Clean all foreign materials from the door opening.
2. Wipe complete interior areas of case using a damp cloth.
3. To allow easier access to clean interior tilt the front glass forward. Tilt the front glass out by grabbing the top edge of glass with finger tips and pulling it away from magnetic strips on case. Tilt glass until it stops at about 30 degrees angle. **IMPORTANT:** Hold on to the glass until it stops and do not let it free fall. Allowing glass may damage glass or hinge. The glass can then be cleaned with common window cleaners. **IMPORTANT:** Do not allow glass cleaner to contact any of the Acrylic front deflector, front lift-up doors, and plastic inner doors.
4. The remaining exterior surface should be wiped down using any ammoniated cleaners or soapy warm water.
5. **IMPORTANT:** Cleaning the Acrylic plastic front deflector, front lift-up doors, and plastic inner doors require special care to prevent hazing and yellowing of material. Lightly dust (not wipe) surface with clean soft cloth. Then the surface can be wiped carefully with a soft, wet cloth or chamois. The cloth or chamois must be kept free of grit by frequently rinsing in clean water. Grease and oil can be removed with kerosene. Do not use window cleaners or kitchen scouring compounds. **DO NOT** use solvents such as Acetone, Benzene, Carbon Tetrachloride, and Lacquer Thinners. A spray wax such as Pledge or Maguire's polish can be applied and wiped with a clean soft cloth. The wax tends to fill in and hide small scratches.

### **Weekly Cleaning ITR, ITD, ITDSS AND ITDSSF Models**

This procedure is recommended on a weekly basis. It may need to be performed more often if necessary to maintain a clean, sanitary case. The case should be cleaned to this procedure before using the first time.



**NOTICE:** Avoid splashing or soaking any electrical components with water to prevent electrical damage to the case.



**NOTICE:** Shut off lights and power switches and remove all product from case. Allow sufficient time for the unit to reach room temperature before proceeding with cleaning.



**NOTICE:** Remove all product from case before proceeding with cleaning procedure.



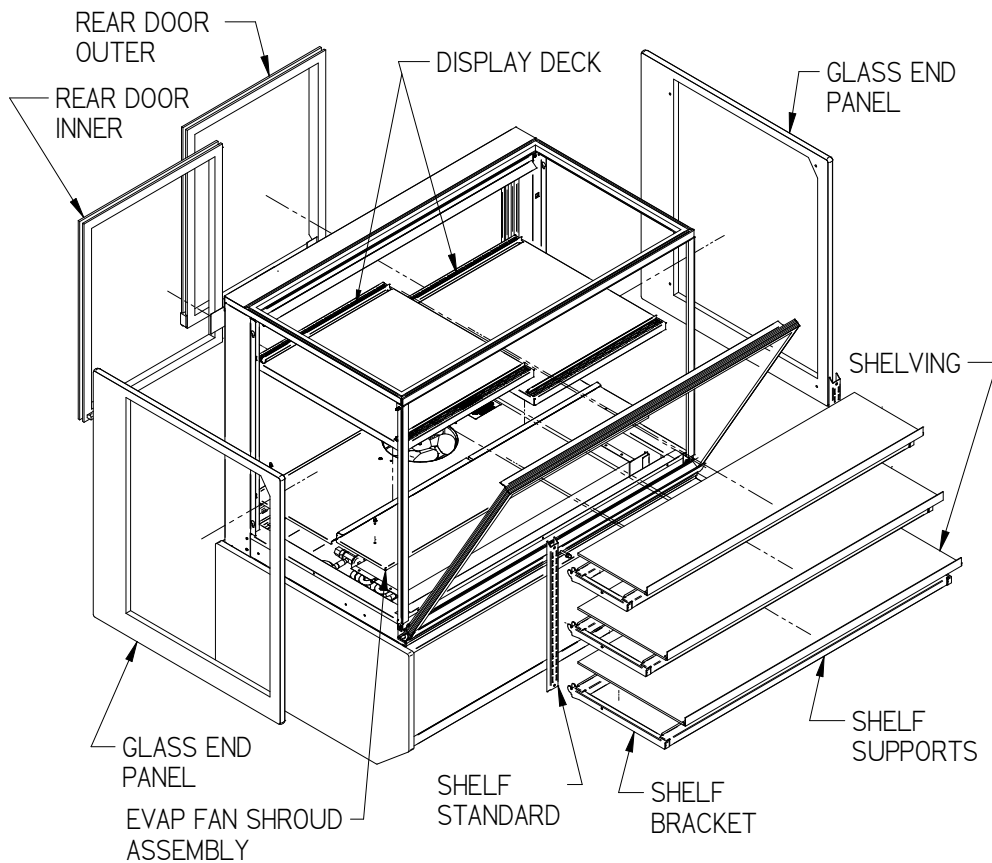
**NOTICE:** Acrylic front air deflector, plastic inner doors, and lift up doors requires special washing procedures to prevent hazing and yellowing of material.



**NOTICE:** This case is not designed to be cleaned by flushing.

**Note:** For major spills or foreign material buildup perform the weekly cleaning instructions.

## **ITR & ITD Models**



6. Disconnect power to display case.
7. Remove the rear doors as described in rear door removal section
8. Remove all interior shelving as described in the shelving installation and removal section of this manual.
9. Remove both shelf standards from interior of case by removing thumb screws located at top and bottom of shelf standard.
10. Remove end glass as described in end panel removal section of this manual.

### **(Step 6 & 7 Refrigerated Models Only)**

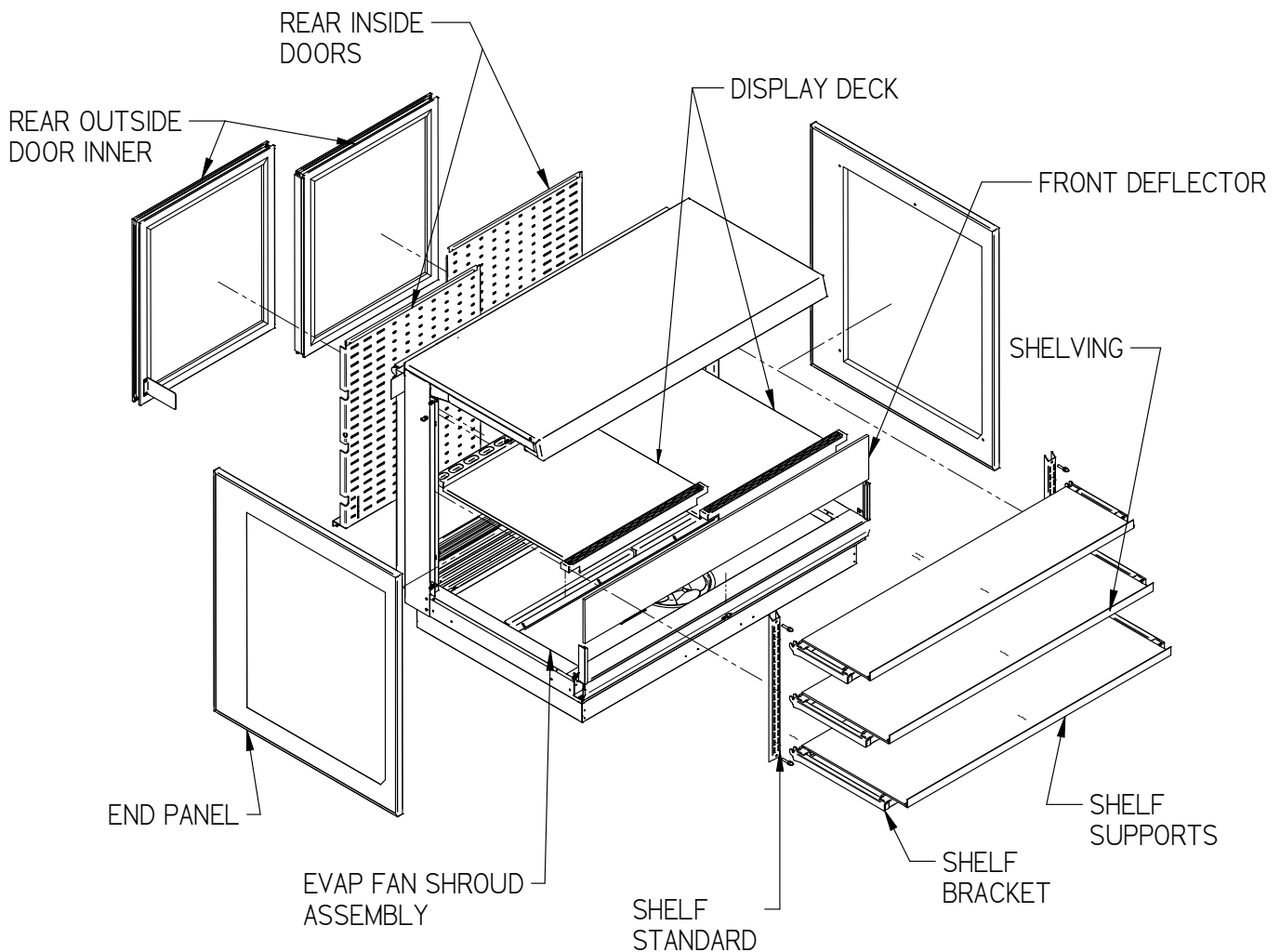
11. Lift the Display Deck(s) up and out of evaporator tub and remove from case.
12. Remove the evaporator fan shroud by removing the thumbscrews along the backside of evaporator fan shroud and the (2) thumb screws on each side of evaporator coil. Unplug fan(s) from wire harness and remove evaporator fan shroud with fan attached from case.
13. Clean the entire interior of the case using warm soapy water. Wipe off all soapy water with a damp cloth and allow to dry.
14. Clean all shelves, shelf support bars, shelf standards, shelf brackets, and display deck using warm soapy water and a brush. Rinse thoroughly and allow to dry.
15. Clean behind front glass hinge using warm soapy water and sweeping debris to each end and
16. Clean all foreign material from inner and outer rear door tracks using warm soapy water and a brush. Apply a light film of lubricant such as PAM to make the doors operate smoother.
17. Clean both sides of the doors, end glass and front glass using any common window cleaner.

IMPORTANT: Do not allow glass cleaner to contact any of the Acrylic front deflector, front lift-up doors, and plastic inner doors. The front glass can be tilted forward to allow easier access to clean interior. Tilt the front glass out by grabbing the top edge of glass with finger tips and pulling it away from magnetic strips on case. Tilt glass until it stops at about 30 degrees angle. IMPORTANT: Hold on to the glass until it stops and do not let it free fall or damage to glass or hinge may occur. Close the glass by pushing glass back up against magnetic gasket in closed position.

18. IMPORTANT: Cleaning the Acrylic plastic front deflector, front lift-up doors, and plastic inner doors require special care to prevent hazing and yellowing of material. Lightly dust (not wipe) surface with clean soft cloth. Then the surface can be wiped carefully with a soft, wet cloth or chamois. The cloth or chamois must be kept free of grit by frequently rinsing in clean water. Grease and oil can be removed with kerosene. Do not use window cleaners or kitchen scouring compounds. DO NOT use solvents such as Acetone, Benzene, Carbon Tetrachloride, and Lacquer Thinners. A spray wax such as Pledge or Maguire's polish can be applied and wiped with a clean soft cloth. The wax tends to fill in and hide small scratches.

19. Reassemble the case in reverse order.

### **Weekly Cleaning ITRSS Models**



1. Disconnect power to display case.

2. Remove the outer and inner rear doors as described in rear door removal section
3. Remove the front deflector by lifting it up and out of retainer channel.
4. Remove all interior shelving as described in the shelving installation and removal section of this manual.
5. Remove both shelf standards from interior of case by removing thumb screws located at top and bottom of shelf standard.
6. Remove end panels as described in end panel removal section of this manual.
7. Lift the Display Deck(s) up and out of evaporator tub and remove from case.
8. Remove the evaporator fan shroud by removing the thumbscrews along the backside of evaporator fan shroud and the (2) thumb screws on each side of evaporator coil. Unplug fan(s) from wire harness and remove evaporator fan shroud with fan attached from case.
9. Clean the entire interior of the case using warm soapy water. Wipe off all soapy water with a damp cloth and allow to dry.
10. Clean all shelves, shelf support bars, shelf standards, shelf brackets, and display deck using warm soapy water and a brush. Rinse thoroughly and allow to dry.
11. Clean behind front glass hinge using warm soapy water and sweeping debris to each end and
12. Clean all foreign material from inner and outer rear door tracks using warm soapy water and a brush. Apply a light film of lubricant such as PAM to make the doors operate smoother.
13. Clean both sides of the doors, end glass and front glass using any common window cleaner.  
**IMPORTANT:** Do not allow glass cleaner to contact any of the Acrylic front deflector, front lift-up doors, and plastic inner doors. The front glass can be tilted forward to allow easier access to clean interior. Tilt the front glass out by grabbing the top edge of glass with finger tips and pulling it away from magnetic strips on case. Tilt glass until it stops at about 30 degrees angle.  
**IMPORTANT:** Hold on to the glass until it stops and do not let it free fall or damage to glass or hinge may occur. Close the glass by pushing glass back up against magnetic gasket in closed position.
14. **IMPORTANT:** Cleaning the Acrylic plastic front deflector, front lift-up doors, and plastic inner doors require special care to prevent hazing and yellowing of material. Lightly dust (not wipe) surface with clean soft cloth. Then the surface can be wiped carefully with a soft, wet cloth or chamois. The cloth or chamois must be kept free of grit by frequently rinsing in clean water. Grease and oil can be removed with kerosene. Do not use window cleaners or kitchen scouring compounds. **DO NOT** use solvents such as Acetone, Benzene, Carbon Tetrachloride, and Lacquer Thinners. A spray wax such as Pledge or Maguire's polish can be applied and wiped with a clean soft cloth. The wax tends to fill in and hide small scratches.
15. Reassemble the case in reverse order.

### **Weekly Exterior Cleaning All**

1. Clean the front, end glass and rear doors using any common window cleaner. **IMPORTANT:** Do not allow glass cleaner to contact any of the Acrylic front deflector, front lift-up doors, and plastic inner doors.
2. The exterior surfaces should be wiped down using any ammoniated cleansers or warm soapy water.
3. Clean the Acrylic plastic front deflector requires special care to prevent hazing and yellowing of material. Lightly dust (not wipe) surface with clean soft cloth. Then the surface can be wiped carefully with a soft, wet cloth or chamois. The cloth or chamois must be kept free of grit by

frequently rinsing in clean water. Grease and oil can be removed with kerosene. Do not use window cleaners or kitchen scouring compounds. DO NOT use solvents such as Acetone, Benzene, Carbon Tetrachloride, and Lacquer Thinners. A spray wax such as Pledge or Maguire's polish can be applied and wiped with a clean soft cloth. The wax tends to fill in and hide small scratches

---

---

## SERVICE

---

---

**CAUTION**  
RISK OF ELECTRIC SHOCK  
  
DISCONNECT POWER BEFORE  
SERVICING UNIT

**Before any service work is performed on the case, make sure all power is disconnected to the case.**

**IMPORTANT:** Read this Section of this manual located on page 5. "REFRIGERATION WARNING & INSTALLATION-REPAIR-DECOMMISSIONING"  
All refrigeration and electrical work must be performed by certified technicians.

To find a service company in your area, please visit our website at [www.federalindustries.com](http://www.federalindustries.com). There you can also find self-service tools to help you get the answers you need faster!

**For Warranty Service Requests & ALL Technical Support please contact:**

- Phone: (800) 356-4206 and choose the Tech Support/Warranty Option
- Email: [Service@federalind.com](mailto:Service@federalind.com)

**For Warranty Compressors please contact the Parts Department:**

- Phone: (800) 356-4206 and choose the Warranty Parts Option
- Email: [Parts@Federalind.com](mailto:Parts@Federalind.com)



**Partstown**

Federal Industries has partnered with Parts Town for ALL Non-Warranty Part Identification, Pricing, Lead Times, Orders & Freight Quotes. Please contact Parts Town directly if you need parts:

- Website: [PartsTown.com](http://PartsTown.com)
- Email: [CustomerService@PartsTown.com](mailto:CustomerService@PartsTown.com)
- Phone: 833-809-8188

### Special Service Situations

There are rare occasions when the refrigerant charge must be evacuated from a case in order to perform service work. In those situations, Federal Industries recommends that the refrigerant charge be evacuated into a recovery system to prevent the possibility of hydrofluorocarbons (HFC's) from being released into the atmosphere.

If moisture or liquid is observed around or under a Federal Industries case, an immediate investigation should be made by qualified personnel to determine the source of the moisture or liquid. The investigation made should determine if the case is malfunctioning or if there is a simple housekeeping problem.



**NOTICE:**

**Moisture or liquid around or under a case is a potential slip/fall hazard for persons walking by or working in the general area of the case. Any case malfunction or housekeeping problem that creates a slip/fall hazard around or under a case should be corrected immediately.**

## Pre-Service Checklist

You may avoid the cost and inconvenience of an unnecessary service call by first reviewing this checklist of frequently encountered situations that can cause unsatisfactory case performance.



**CAUTION:** Before servicing case turn off power at the main breaker of fuse box.

### **Case Does Not Operate**

- Check for disconnected power supply.
- Check for tripped breaker or blown fuse.
- Check that power switch is on.

### **Lights Do Not Operate**

- Check that light switch is on.
- Be sure light cord is properly seated into LED light strip.
- Is the light cord plugged in to light strip upside down.

### **Case Temperature Too Warm**

- Check that the cold air inlet and outlet slots are not blocked.
- Be sure that the rear doors are closed and tightly sealed.
- Check for a blocked or dirty condenser coil fins.
- Check cold airflow. Lack of adequate cold airflow could be a defective evaporator fan or blocked evaporator coil. Check that paper or foreign material is not blocking evaporator. If the evaporator coil is blocked due to excessive frost, initiate a manual defrost on the electronic temperature control as described in the Using Electronic Temperature Control section of this manual.
- Is the case installed properly to allow adequate air flow to and from condenser?
- Check that the electronic control settings are correct.
- Check environment conditions. This case is designed to operate in no more than 80 degree 55 percent humidity.

---

---

## **SALE & DISPOSAL**

---

---

**IMPORTANT:** Read this Section of this manual located on page 5.  
“REFRIGERATION WARNING & INSTALLATION-REPAIR-DECOMMISSIONING”  
All refrigeration and electrical work must be performed by certified technicians

### **Owner Responsibility**

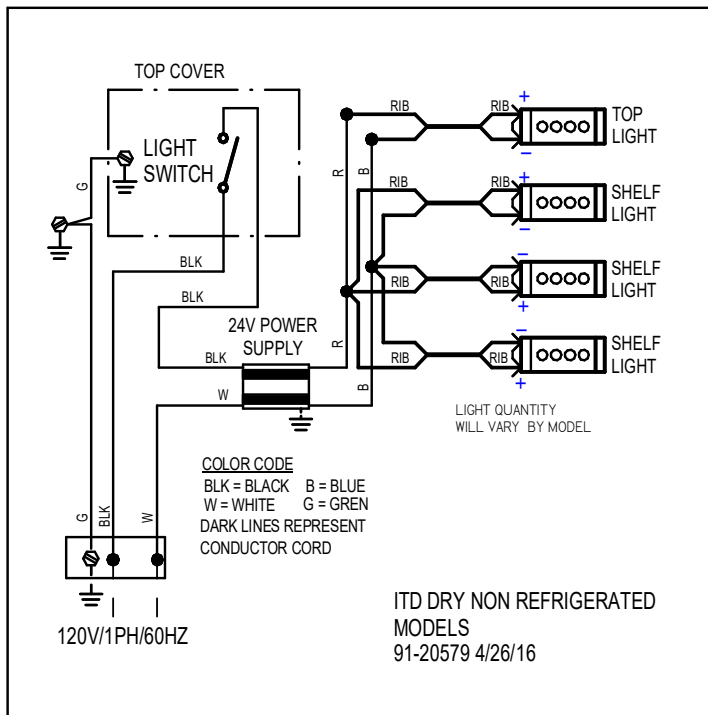
If you sell or give away your Federal Industries case you must make sure that all safety labels and the Installation-Service Manual are included with it. If you need replacement labels or manuals, Federal Industries will provide them free of charge. Contact the customer service department at Federal Industries at (800) 356-4206.

The customer service department at Federal Industries should be contacted at the time of sale or disposal of your case so records may be kept of its new location.

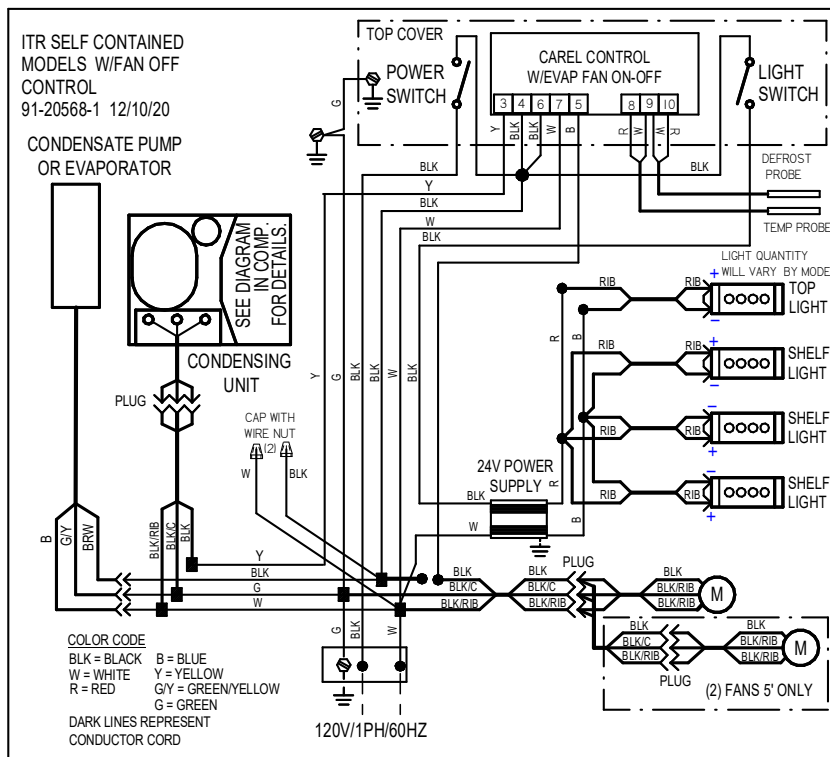
If you sell or give away your Federal Industries case and you evacuate the refrigerant charge before shipment. Federal Industries recommends that the charge be evacuated into a recovery system to prevent the possibility of HFC's from being released into the atmosphere.

# MAIN WIRING DIAGRAMS

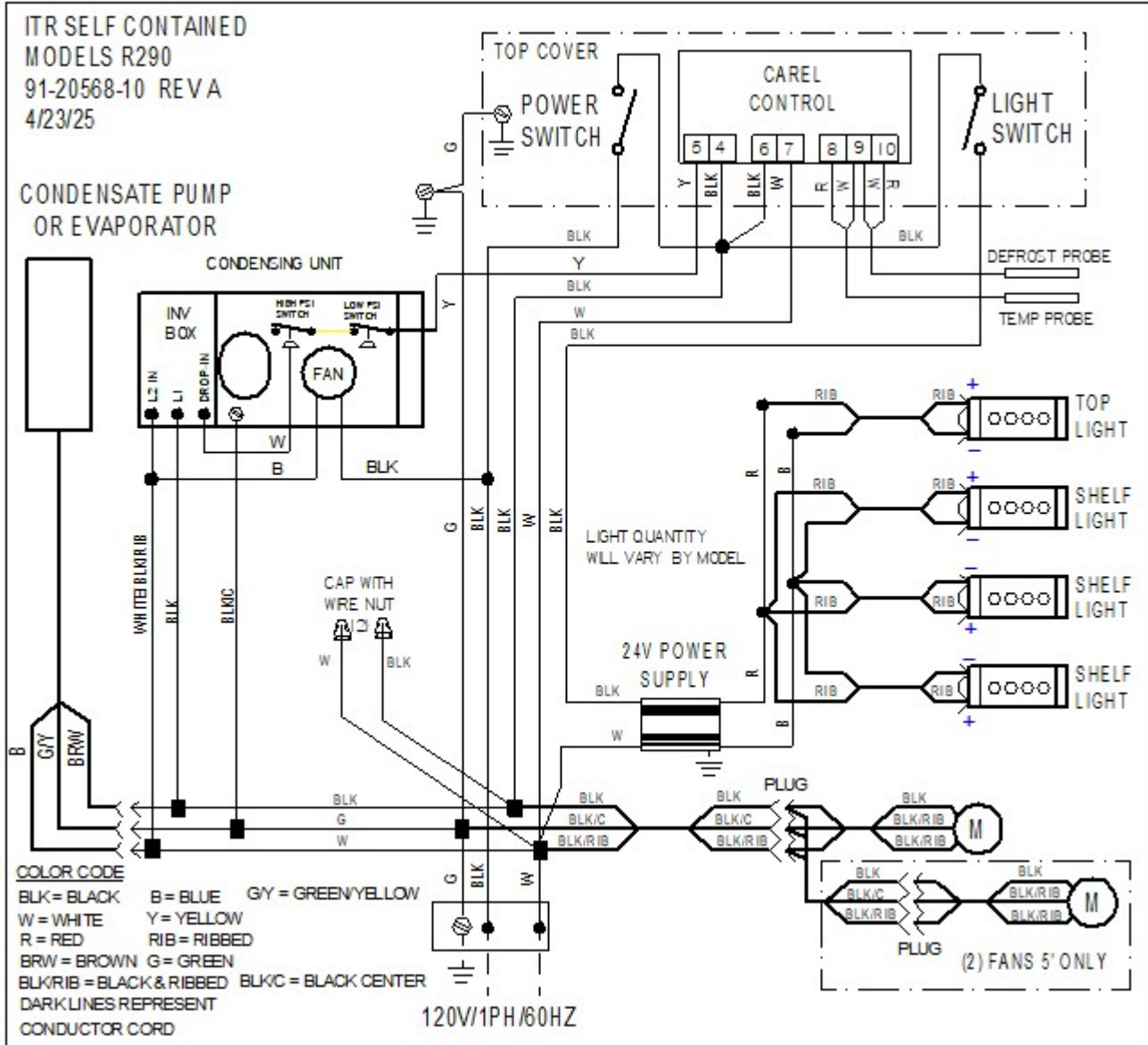
## Non-Refrigerated



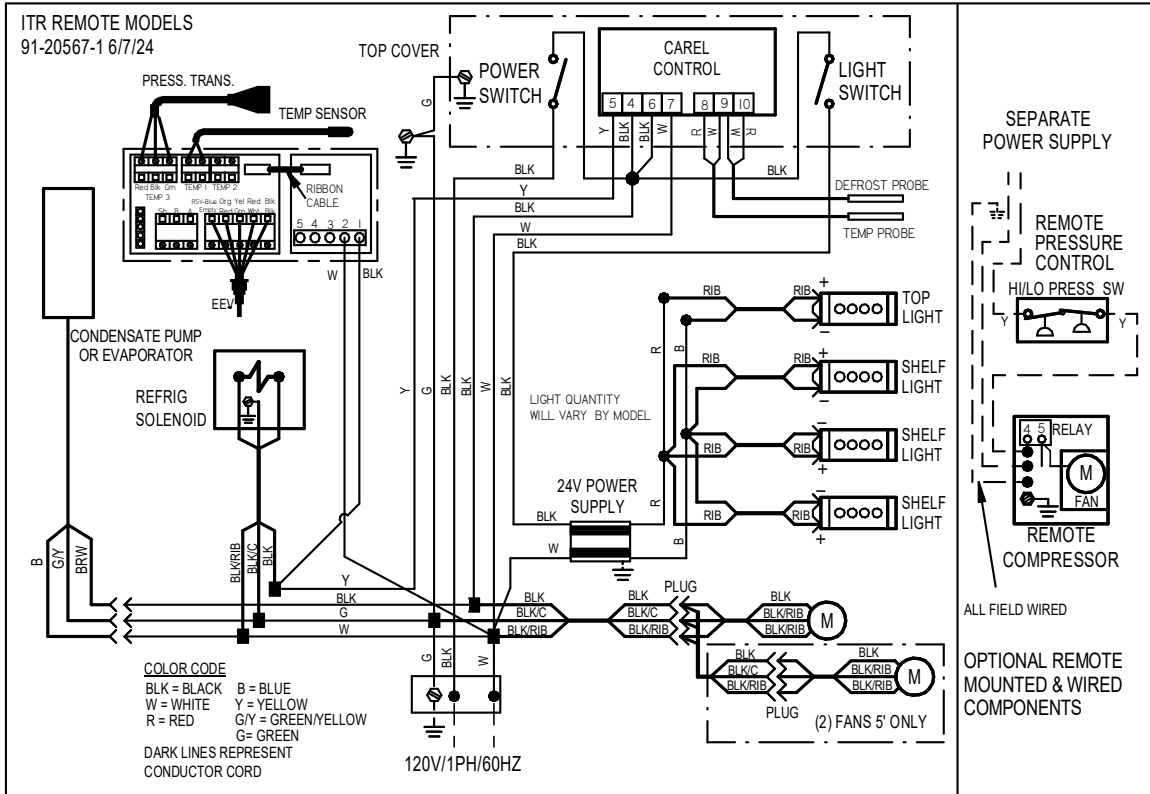
## Fan Control Option, Refrigerated Self Contained (not available ITRSS models)



# All Refrigerated Self Contained



# All Refrigerated Remote



# REPLACEMENT PARTS

(E3788 EXCEL)

## ELECTRICAL COMPONENTS

MODELS	LIGHT SWITCH	POWER SWITCH	LIGHT POWER SUPPLY	LIGHT 24V LED STRP	SHELF LIGHT CORD	SC MAIN WIRING DIAGRAM	REMOTE MAIN WIRING DIAGRAM	DRY MAIN WIRING DIAGRAM	EEV CONTROL (ISS ONLY)	EEV TEMP CONTROL (ISS ONLY)	EEV PRESSURE (ISS ONLY)
ITD36	4I-11066	4I-11066	39-20555	42-20870-29C35	43-20475			9I-20579			
ITD48	4I-11066	4I-11066	39-20555	42-20870-40C35	43-20475			9I-20579			
ITD60	4I-11066	4I-11066	39-20555	42-20870-51C35	43-20475			9I-20579			
ITDSS36	4I-11066	4I-11066	39-20555	42-20870-29C35	43-20475			9I-20579			
ITDSS48	4I-11066	4I-11066	39-20555	42-20870-40C35	43-20475			9I-20579			
ITDSS60	4I-11066	4I-11066	39-20555	42-20870-51C35	43-20475			9I-20579			
ITDSS36F	4I-11066	4I-11066	39-20555	42-20870-29C35	43-20475						
ITDSS48F	4I-11066	4I-11066	39-20555	42-20870-40C35	43-20475						
ITDSS60F	4I-11066	4I-11066	39-20555	42-20870-51C35	43-20475						
ITR36 & ITRSS36	4I-11066	4I-11066	39-20555	42-20870-29C35	43-20475	9I-20568	9I-20567		32-21223	32-21224	32-21225
ITR48 & ITR48	4I-11066	4I-11066	39-20555	42-20870-40C35	43-20475	9I-20568	9I-20567		32-21223	32-21224	32-21225
ITR60	4I-11066	4I-11066	39-20555	42-20870-51C35	43-20475	9I-20568	9I-20567		32-21223	32-21224	32-21225
ITRSS60	4I-11066	4I-18186	39-20555	42-20870-51C35	43-20475	E384I	9I-20567		32-21223	32-21224	32-21225

## REFRIGERATION COMPONENTS

MODELS	CONDENSING UNIT (SCI) Before 1/22 = After 1/22	EVAPORATOR COIL	EXPANSION VALVE	EVAPORATOR FAN MOTOR	FILTER DRIER	ELECTRONIC CONTROL	TEMPERATURE PROBE	CONDENSATE PAN ASSY	ELECTRONIC EXPANSION VALVE	OFF. EVAP. FAN ON/OFF	ELECTRONIC CONTROL
ITR36	30-21754	33-17315-21	32-21751	4I-21237-11	32-12626	32-19864-14	32-19094	40-20420	32-21228	32-21382	
ITR48	30-21754	33-17315-22	32-21751	4I-21237-16	32-12626	32-19864-14	32-19094	40-20420	32-21228	32-21382	
ITR60	30-21754	33-17315-23	32-21751	4I-21237-12	32-12626	32-19864-14	32-19094	40-20420	32-21228	32-21382	
ITRSS36	30-21754	33-17315-21	32-21751	4I-21237-11	32-12626	32-19864-15	32-19094	5A5202-1	32-21228	-	
ITRSS48	30-21754	33-17315-22	32-21751	4I-21237-16	32-12626	32-19864-15	32-19094	5A5202-1	32-21228	-	
ITRSS60	30-21754	33-17315-23	32-21750	4I-21237-12	32-12626	32-19865-15	32-19094	5A5202-2	32-21228	-	

MODELS	CONDO PUMP 120V	REMOTE REFRIG SOLENOID
ALL	47-15686	32-3014I

## GLASS COMPONENTS

MODELS	FRONT	TOP	END GLASS	END GLASS	END GLASS	END GLASS	FRONT	FRONT
ITD3626	5I-20598-4	5I-20599-4	CA5830-IL	CA5830-IR	CA5830-3L	CA5830-3R	64-20476-1	64-20476-5
ITD4826	5I-20598-5	5I-20599-4	CA5830-IL	CA5830-IR	CA5830-3L	CA5830-3R	64-20476-2	64-20476-5
ITD6026	5I-20598-6	5I-20599-4	CA5830-IL	CA5830-IR	CA5830-3L	CA5830-3R	64-20476-3	64-20476-5
ITD3634	5I-20598-1	5I-20599-1	CA5830-L	CA5830-R	CA5830-2L	CA5830-2R	64-20476-1	64-20476-4
ITD4834	5I-20598-2	5I-20599-2	CA5830-L	CA5830-R	CA5830-2L	CA5830-2R	64-20476-2	64-20476-4
ITD6034	5I-20598-3	5I-20599-3	CA5830-L	CA5830-R	CA5830-2L	CA5830-2R	64-20476-3	64-20476-4
ITDSS3626		5I-20599-1	CA5830-IL	CA5830-IR	CA5830-3L	CA5830-3R		
ITDSS4826		5I-20599-2	CA5830-IL	CA5830-IR	CA5830-3L	CA5830-3R		
ITDSS6026		5I-20599-3	CA5830-IL	CA5830-IR	CA5830-3L	CA5830-3R		
ITDSS3634		5I-20599-1	CA5830-L	CA5830-R	CA5830-2L	CA5830-2R		
ITDSS4834		5I-20599-2	CA5830-L	CA5830-R	CA5830-2L	CA5830-2R		
ITDSS6034		5I-20599-3	CA5830-L	CA5830-R	CA5830-2L	CA5830-2R		
ITDSS3626	15-20635-1		CA5831-IL	CA5831-IR	CA5831-3L	CA5831-3R		
ITDSS4826	15-20635-2		CA5831-IL	CA5831-IR	CA5831-3L	CA5831-3R		
ITDSS6026	15-20635-3		CA5831-IL	CA5831-IR	CA5831-3L	CA5831-3R		
ITDSS3634	15-20635-1		CA5831-L	CA5831-R	CA5831-2L	CA5831-2R		
ITDSS4834	15-20635-2		CA5831-L	CA5831-R	CA5831-2L	CA5831-2R		
ITDSS6034	15-20635-3		CA5831-L	CA5831-R	CA5831-2L	CA5831-2R		
ITR3626	50-20471-4	50-20472-1	CA5830-IL	CA5830-IR	CA5830-3L	CA5830-3R	64-20476-1	64-20476-5
ITR4826	50-20471-5	50-20472-2	CA5830-IL	CA5830-IR	CA5830-3L	CA5830-3R	64-20476-2	64-20476-5
ITR6026	50-20471-6	50-20472-3	CA5830-IL	CA5830-IR	CA5830-3L	CA5830-3R	64-20476-3	64-20476-5
ITR3634	50-20471-1	50-20472-1	CA5830-L	CA5830-R	CA5830-2L	CA5830-2R	64-20476-1	64-20476-4
ITR4834	50-20471-2	50-20472-2	CA5830-L	CA5830-R	CA5830-2L	CA5830-2R	64-20476-2	64-20476-4
ITR6034	50-20471-3	50-20472-3	CA5830-L	CA5830-R	CA5830-2L	CA5830-2R	64-20476-3	64-20476-4
ITRSS3626	15-20635-1		CA5831-IL	CA5831-IR	CA5831-3L	CA5831-3R		
ITRSS4826	15-20635-2		CA5831-IL	CA5831-IR	CA5831-3L	CA5831-3R		
ITRSS6026	15-20635-3		CA5831-IL	CA5831-IR	CA5831-3L	CA5831-3R		
ITRSS3634	15-20635-1		CA5831-L	CA5831-R	CA5831-2L	CA5831-2R		
ITRSS4834	15-20635-2		CA5831-L	CA5831-R	CA5831-2L	CA5831-2R		
ITRSS6034	15-20635-3		CA5831-L	CA5831-R	CA5831-2L	CA5831-2R		

## REAR DOORS

MODELS	DOOR LEFT	DOOR	DOOR LEFT	DOOR RIGHT	MODELS	DOOR OUTER	DOOR INNER	DOOR	DOOR INNER	DOOR	DOOR IN
IT 3626	53-20467-4	53-20468-4	53-20467-4A	53-20468-4A	ITRSS 3626	53-20698-4	53-20699-4	53-20698-4A	53-20699-4A	SA5759-4	SA5760-4
IT 4826	53-20467-5	53-20468-5	53-20467-5A	53-20468-5A	ITRSS 4826	53-20698-5	53-20699-5	53-20698-5A	53-20699-5A	SA5759-5	SA5760-5
IT 6026	53-20467-6	53-20468-6	53-20467-6A	53-20468-6A	ITRSS 6026	53-20698-6	53-20699-6	53-20698-6A	53-20699-6A	SA5759-6	SA5760-6
IT 3634	53-20467-1	53-20468-1	53-20467-1A	53-20468-1A	ITRSS 3634	53-20698-1	53-20699-1	53-20698-1A	53-20699-1A	SA5759-1	SA5760-1
IT 4834	53-20467-2	53-20468-2	53-20467-2A	53-20468-2A	ITRSS 4834	53-20698-2	53-20699-2	53-20698-2A	53-20699-2A	SA5759-2	SA5760-2
IT 6034	53-20467-3	53-20468-3	53-20467-3A	53-20468-3A	ITRSS 6034	53-20698-3	53-20699-3	53-20698-3A	53-20699-3A	SA5759-3	SA5760-3

## SHELF COMPONENTS (AFTER 5/1/25)

MODELS	GLASS SHELF 11"	GLASS SHELF 14"	GLASS SHELF 17"	SHELF SUPPORT	SHELF BRACKET 9"	SHELF BRACKET 12"	SHELF BRACKET 15"	SHELF SUPORT (NO LIGHT)
IT 3626	-	52-20473-2	52-20473-3	M20442-1	-	67-20621-2L/IR	67-20621-3L/IR	M20379-1
IT 4826	-	52-20473-5	52-20473-6	M20442-1	-	67-20621-2L/IR	67-20621-3L/IR	M20379-2
IT 6026	-	52-20473-8	52-20473-9	M20442-1	-	67-20621-2L/IR	67-20621-3L/IR	M20379-3
IT 3634	52-20473-1	52-20473-2	52-20473-3	M20442	67-20621-1L/IR	67-20621-2L/IR	67-20621-3L/IR	M20379-1
IT 4834	52-20473-4	52-20473-5	52-20473-6	M20442	67-20621-1L/IR	67-20621-2L/IR	67-20621-3L/IR	M20379-2
IT 6034	52-20473-7	52-20473-8	52-20473-9	M20442	67-20621-1L/IR	67-20621-2L/IR	67-20621-3L/IR	M20379-3

## SHELF COMPONENTS (ALL R290 CASES & AFTER 5/1/25 ON ALL OTHER CASES)

MODELS	GLASS SHELF 11"	GLASS SHELF 14"	GLASS SHELF 17"	SHELF SUPPORT	SHELF BRACKET 9"	SHELF BRACKET 12"	SHELF BRACKET 15"	SHELF SUPORT (NO LIGHT)
IT 3626	-	52-20473-2	52-20473-3	M22240-1	-	67-21865-2L/IR	67-21865-3L/IR	M20379-1
IT 4826	-	52-20473-5	52-20473-6	M22240-1	-	67-21865-2L/IR	67-21865-3L/IR	M20379-2
IT 6026	-	52-20473-8	52-20473-9	M22240-1	-	67-21865-2L/IR	67-21865-3L/IR	M20379-3
IT 3634	52-20473-1	52-20473-2	52-20473-3	M22240	67-21865-1L/IR	67-21865-2L/IR	67-21865-3L/IR	M20379-1
IT 4834	52-20473-4	52-20473-5	52-20473-6	M22240	67-21865-1L/IR	67-21865-2L/IR	67-21865-3L/IR	M20379-2
IT 6034	52-20473-7	52-20473-8	52-20473-9	M22240	67-21865-1L/IR	67-21865-2L/IR	67-21865-3L/IR	M20379-3

**California Residents Only.**

**⚠ WARNING**

**This product can expose you to chemicals including chromium which is known to the State of California to cause cancer and birth defects or other reproductive harm. For more information go to [www.P65Warnings.ca.gov](http://www.P65Warnings.ca.gov)**

