

Owner's Manual

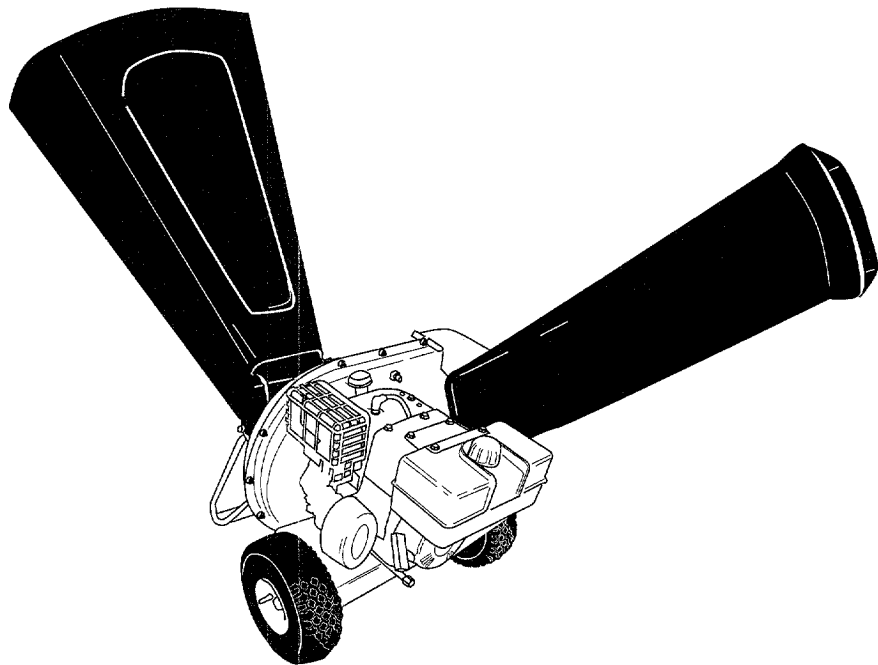
CRAFTSMAN

8.0 Horse Power
3" diameter chipping capacity
CHIPPER-SHREDDER

Model No.

247.775860

24A-485B099



CAUTION: Before using this product, read this manual and follow all Safety Rules and Operating Instructions.

Sears, Roebuck and Co., Hoffman Estates, IL 60179, U.S.A.

SAFETY

ASSEMBLY

OPERATION

MAINTENANCE

ADJUSTMENTS

STORAGE

PARTS LIST

TABLE OF CONTENTS

Content	Page	Content	Page
Warranty Information	2	Service & Adjustment	14
Safe Operation Practices	3	Off-Season Storage	17
Assembly	5	Trouble-Shooting	18
Operation	8	Repair Parts	19
Maintenance	11		

WARRANTY INFORMATION

One-Year Warranty on Craftsman Chipper-Shredder

For one year from the date of purchase, when this Craftsman chipper-shredder is maintained, lubricated, and tuned up according to the operating and maintenance instructions in the operator's manual, Sears will repair, free of charge, any defect in material or workmanship.

This warranty excludes the blades, chipper blades, flails, air cleaners, spark plugs, catcher bags and tires which are expendable parts and become worn during normal use.

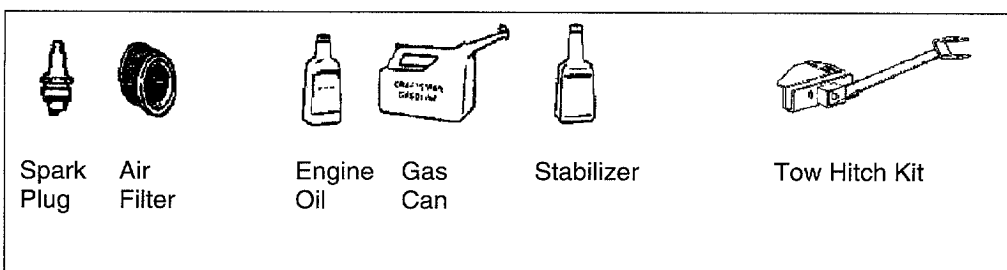
If this chipper-shredder is used for commercial or rental purposes, this warranty applies for only 30 days from the date of purchase.

WARRANTY SERVICE IS AVAILABLE BY CONTACTING THE NEAREST SEARS SERVICE CENTER IN THE UNITED STATES. THIS WARRANTY APPLIES ONLY WHILE THIS PRODUCT IS IN USE IN THE UNITED STATES.

This warranty gives you specific legal rights, and you may also have other rights which vary from state to state. Sears, Roebuck and Co., D/817wa, Hoffman Estates, IL 60179

ACCESSORIES

These accessories were available when the chipper-shredder was purchased. They are also available at most Sears retail outlets, catalog and service centers. Most Sears stores can order repair parts for you when you provide the model number of your chipper-shredder.



PRODUCT	SPECIFICATION
HORSEPOWER:	8 H.P.
CRANKCASE CAPACITY:	26oz. SAE 30 ENGINE OIL
FULE TANK CAPACITY:	4 Quart (UNLEADED)
RESISTOR SPARK PLUG:	(N4C)
GAP	.030
TIRE PRESSURE	24 PSI

Model Number

Serial Number.....

Date of Purchase

Record both serial number and date of purchase and keep in a safe place for future reference.

SAFE OPERATION PRACTICES



This symbol points out important safety instructions which, if not followed, could endanger the personal safety and/or property of yourself and others. Read and follow all instructions in this manual before attempting to operate your chipper shredder. Failure to comply with these instructions may result in personal injury. When you see this symbol—**heed its warning.**



DANGER: Your chipper-shredder was built to be operated **according to the rules for safe operation in this manual.** As with any type of power equipment, carelessness or error on the part of the operator can result in serious injury. **If you violate any of these rules, you may cause serious injury to yourself or others.**



WARNING: The Engine Exhaust from this product contains chemicals known to the State of California to cause cancer, birth defects or other reproductive harm.

1. GENERAL OPERATION

- Read this owner's guide carefully in its entirety before attempting to assemble this machine. Read, understand, and follow all instructions on the machine and in the manual(s) before operation. Be completely familiar with the controls and the proper use of the machine before operating it. Keep this manual in a safe place for future and regular reference and for ordering replacement parts.
- Your chipper-shredder is a powerful tool, not a plaything. Therefore, exercise extreme caution at all times. Your unit has been designed to perform two jobs; to chip and shred vegetation found in a normal yard. Do not use it for any other purpose.
- Never allow children under age 16 to operate the unit. Children 16 years and older should only operate the unit under close parental supervision. Only responsible individuals who are familiar with these rules of safe operation should be allowed to use your unit.
- Keep the area of operation clear of all persons, particularly small children and pets. Stop the engine when they are in the vicinity of the unit. Keep work area clean and clear of branches or obstacles which could cause you to stumble or fall.
- When feeding material into this equipment, be extremely careful that pieces of metal, rocks, bottles, cans or other foreign objects are not included. Personal injury or damage to the machine could result.
- Always wear safety glasses or safety goggles, during operation and while performing an adjustment or repair, to protect eyes from foreign objects that may be thrown from the machine.
- Wear sturdy, rough-soled work shoes and close fitting slacks and shirt. Shirt and slacks that cover the arms and legs and steel-toed shoes are recommended. Do not wear loose fitting clothes or jewelry and secure hair so it is above shoulder length. They can be caught in moving parts. Never operate a unit in bare feet, sandals or sneakers. Wear gloves when feeding material in the chipper chute or shredder hopper.
- Never place your hands, feet, or any part of your body into the shredder hopper, chipper chute, discharge opening, or near any moving part while the engine is running. Keep clear of the discharge opening at all times. If it becomes necessary to push material into the chipper chute or shredder hopper, use a small diameter stick, NOT YOUR HANDS.
- If it is necessary for any reason to unclog the feed intake or discharge openings or to inspect or repair any part of the machine where a moving part can come in contact with your body or clothing, stop the machine, allow it to cool, disconnect the spark plug wire from the spark plug and move it away from the spark plug before attempting to unclog, inspect or repair.
- Do not operate unit while under the influence of alcohol or drugs.
- The machine should only be operated on a level surface. Never operate your unit on a slippery, wet, muddy or icy surface. Keep your work area clean and clear of branches or obstacles which could cause you to stumble and fall. Do not overreach. Maintaining proper footing and balance is essential to preventing accidents.
- Do not allow an accumulation of processed material to build up in the discharge area as this will prevent proper discharge and can result in kick-back from the chipper chute.
- Keep your face and body back from chipper chute to avoid accidental bounce back of any material.
- Do not transport machine while engine is running.
- If the cutting mechanism strikes a foreign object or if your machine should start making an unusual noise or vibration, immediately stop the engine and allow the machine to come to a complete stop. Disconnect the spark plug wire and move it away from the spark plug. Take the following steps.
 - a. Inspect for damage.
 - b. Repair or replace any damaged parts.
 - c. Check for any loose parts and tighten to assure continued safe operation.
- Never attempt to attach or remove catcher bag when engine is running. Shut the engine off and wait for the

impeller to come to a complete stop. The impeller continues to rotate for a few seconds after the engine is shut off. Never place any part of the body in the impeller area until you are sure the impeller has stopped rotating.

- Muffler and engine become hot and can cause a burn. Do not touch.
- Do not allow leaves or other debris to build-up on engine's muffler. The debris could ignite and cause a fire.
- Do not attempt to shred or chip material larger than specified in this manual. Personal injury or damage to the machine could result.
- Do not operate engine if air cleaner or cover over carburetor air-intake is removed, except for adjustment. Removal of such parts could create a fire hazard.
- Only use accessories approved for this machine by the manufacturer. Read, understand, and follow all instructions provided with the approved accessory.
- If situations occur which are not covered by this manual, use care and good judgment. Contact your dealer for assistance.
- Keep discharge chute deflector, chipper chute door, and all other guards and safety devices in place and operating properly.
- Only operate unit in good daylight. Do not operate unit at night or in dark areas where your vision may be impaired.

2. CHILDREN

Tragic accidents can occur if the operator is not alert to the presence of small children. Children are often attracted to the chipper-shredder and the chipping and shredding activity. Never assume that children will remain where you last saw them.

- Keep children out of the work area and under the watchful eye of a responsible adult other than the operator.
- Be alert and turn the unit off if a child enters the area.
- Never allow children under the age of 16 to operate the chipper-shredder.

3. SERVICE

- Use extreme care in handling gasoline and other fuels. They are extremely flammable and the vapors are explosive.
 - a. Store fuel and oil in approved containers, away from heat and open flame, and out of the reach of children. Check and add fuel before starting the engine. Never remove gas cap or add fuel while the engine is running. Allow engine to cool at least two minutes before refueling.



This unit is equipped with an internal combustion engine and should not be used on or near any unimproved forest-covered, brush-covered or grass-covered land unless the engine's exhaust system is equipped with a spark arrester meeting applicable local or state laws (if any). If a spark arrester is used, it should be maintained in effective working order by the operator.

In the State of California the above is required by law (Section 4442 of the California Public Resources Code). Other states may have similar laws. Federal laws apply on federal lands. A spark arrester for the muffler is available through your nearest Sears Authorized Service Center (See the REPAIR PARTS section of this manual.)

- a. Replace gasoline cap securely and wipe off any spilled gasoline before starting the engine as it may cause a fire or explosion.
- c. Extinguish all cigarettes, cigars, pipes and other sources of ignition.
- d. Never refuel unit indoors because flammable vapors will accumulate in the area.
- e. Never store the machine or fuel container inside where there is an open flame or spark such as a gas hot water heater, space heater, clothes dryer or furnace.

- Never run your machine in an enclosed area as the exhaust from the engine contains carbon monoxide, which is an odorless, tasteless and deadly poisonous gas.
- To reduce fire hazard, keep engine and muffler free of leaves, grass, and other debris build-up. Clean up fuel and oil spillage. Allow unit to cool at least 5 minutes before storing.
- Before cleaning, repairing, or inspecting, make certain the impeller and all moving parts have stopped. Disconnect the spark plug wire and keep wire away from spark plug to prevent accidental starting. Do not use flammable solutions to clean air filter.
- Check the blade and engine mounting screws at frequent intervals for proper tightness. Also visually inspect blades for wear and/or damage (e.g., bent, cracked). Replace with blades which meet original equipment specifications.
- Keep all nuts, bolts, and screws tight to be sure the equipment is in safe working condition.
- Never tamper with safety devices. Check their proper operation regularly.
- After striking a foreign object, immediately stop the engine, disconnect the spark plug wire from the spark plug, and thoroughly inspect the unit for any damage. Repair damage before starting and operating unit.
- Do not alter or tamper with the engine's governor setting. The governor controls the maximum safe operating speed of the engine. Over-speeding the engine is dangerous and will cause damage to the engine and to other moving parts of the machine.

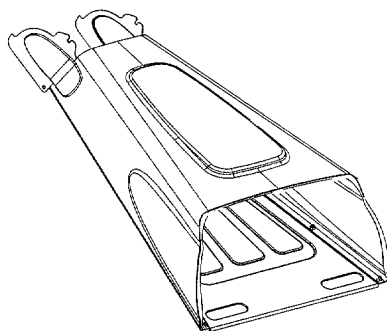
4. YOUR RESPONSIBILITY



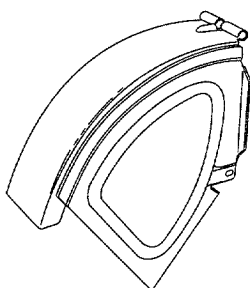
Restrict the use of this power machine to persons who read, understand and follow the warnings and instructions in this manual and on the machine.

**SAVE THESE INSTRUCTIONS
FOR FUTURE REFERENCE.**

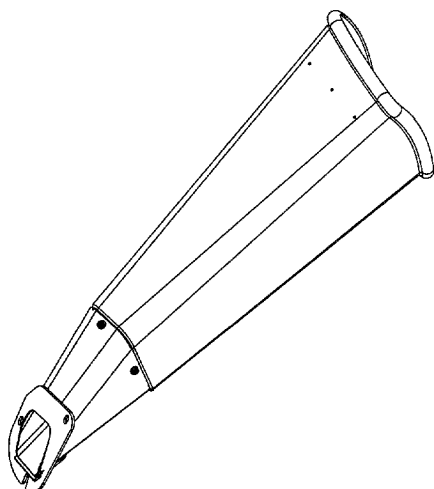
ASSEMBLY



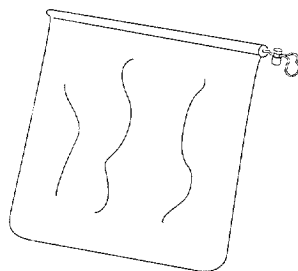
Hopper



Discharge Chute



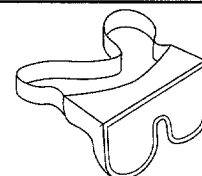
Chipper Chute



Catcher Bag



Bottle of Oil



Safety Glasses

IMPORTANT: This unit is shipped **without gasoline or oil** in the engine. After assembly, see OPERATION section of this manual for proper fuel and engine oil fill-up.

NOTE: To determine right and left hand sides of your chipper-shredder, stand behind the unit with the engine farthest away from you.

Your chipper-shredder has been completely assembled at the factory, except for the hopper assembly, chipper chute, discharge chute and the catcher bag.

These parts are shipped loose in the carton. A pair of safety glasses and a bottle of oil are also included in the carton.

1. REMOVE CHIPPER-SHREDDER FROM CARTON

- Cut the corners of the carton.
- Remove all packing inserts.
- Remove all loose parts including owner's manual. See figure 1.
- Roll chipper-shredder out of the carton.
- Make certain all parts and literature have been removed before the carton is discarded.

2. LOOSE PARTS

- a. Hopper Assembly
- b. Discharge Chute
- c. Chipper Chute
- d. Catcher Bag
- e. Bottle of Oil
- f. Safety Glasses
- g. Owner's Manual (not shown in figure 1)

Figure 1

3. TOOLS REQUIRED

1. 1/2" or Adjustable Wrenches
2. 7/16" or Adjustable Wrenches
3. Funnel

4. DISCONNECTING SPARK PLUG

- Disconnect the spark plug wire and move it away from the spark plug before assembling the chipper-shredder. See figure 2.

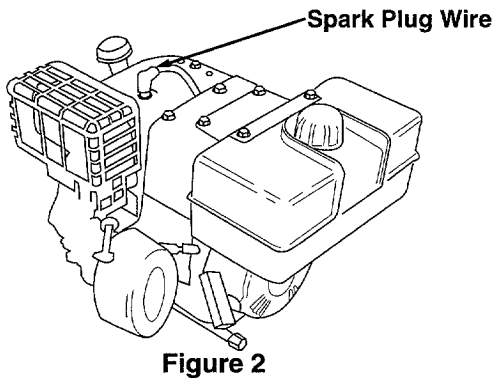


Figure 2

5. ATTACHING DISCHARGE CHUTE

- Remove the wing knobs from each side of the discharge opening on the chipper-shredder. See figure 3.
- Using two 7/16" wrenches, remove hex lock nut, two spacers, and the hex bolt from top of the housing assembly. For easy assembly, do not remove the second spacer from the hex bolt.
- Place the discharge chute in position on the discharge opening. Insert hex bolt and spacer through hinge on discharge chute and housing (spacer fits inside of hinge). See figure 3 inset.

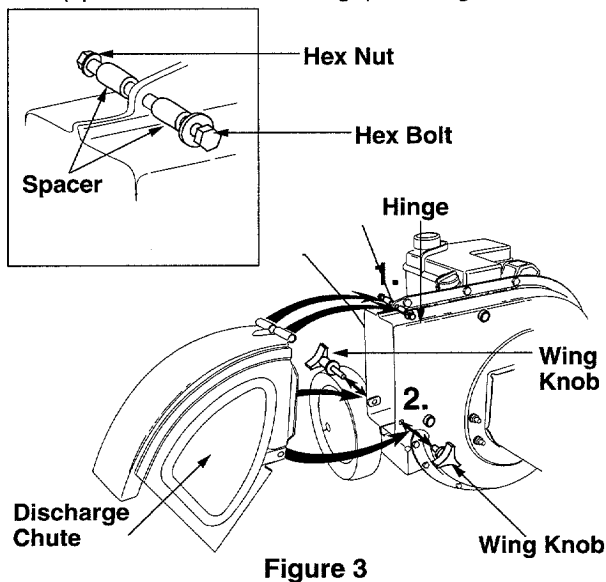


Figure 3

- Place second spacer over hex bolt inside the other part of the hinge. Secure with hex lock nut. Tighten securely.
- Secure both sides of discharge chute to housing using wing knobs that you earlier removed. Tighten wing knobs.

6. ATTACHING HOPPER ASSEMBLY

- Remove the 8-3/8" long hex bolt and the hex nut from the bottom of the inlet guide opening.
- Place the hopper assembly on the ground and hold it in the position shown in step 1 in figure 4.
- Holding the hopper, push hopper pivot door down inside the hopper. See figure 4.
- Slide the hopper assembly towards the chipper-shredder housing so that the upper guide on the hopper assembly slides **under** the stop washer on each side of the inlet guide. See figure 4.
- Align the two holes (one on each side) of the lower hopper with the two holes (one on each side) of the inlet guide.
- Insert the hex bolt (that you earlier removed) from the left through the hole on the hopper and the inlet guide. Insert the hex nut onto the bolt from the other side. See figure 4 inset.

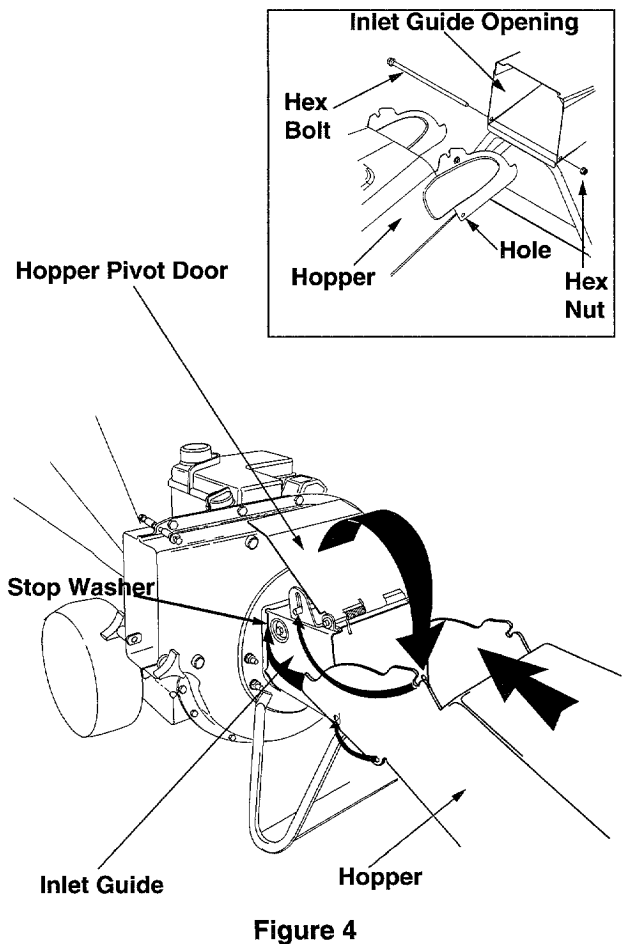


Figure 4

- Tighten the bolt. This will secure the hopper assembly to the inlet guide.
- To *raise* the hopper, hold the hopper by the hand-hold and lift it up till it clicks into position.
- To *lower* the hopper, hold the hopper by the hand-hold and pull the release bar. The hopper should drop down. See figure 5.

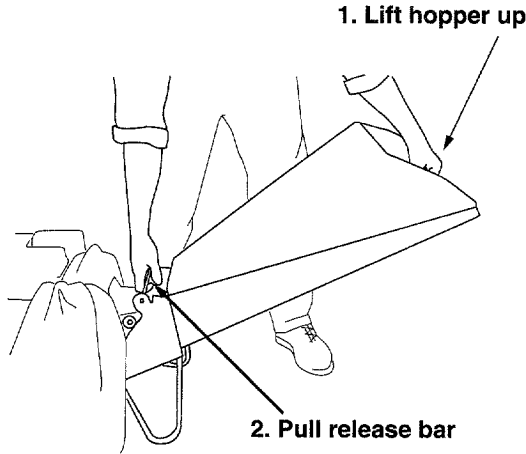


Figure 5

7. ATTACHING THE CHIPPER CHUTE

- Remove the three cupped washers and hex nuts from the weld studs beside the opening on the left side of the housing. See figure 6.

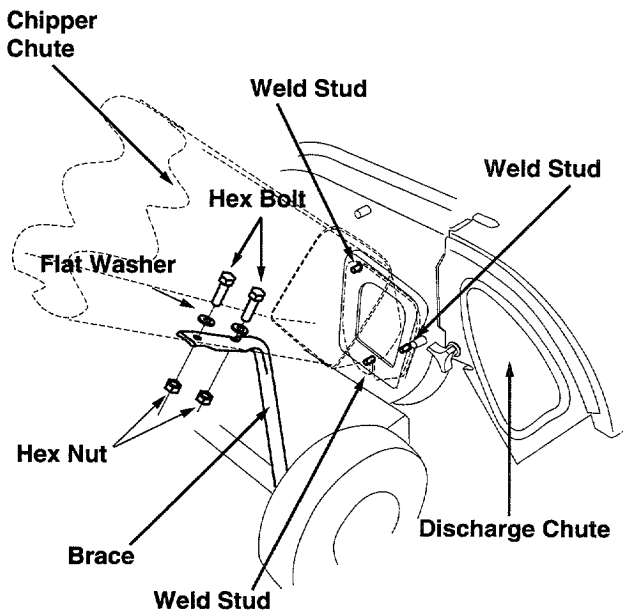


Figure 6

- Remove the two sets of hex bolt, lock nut, and flat washer from the two holes on the upper end of the brace.
- Place the chipper chute over the weld studs so the slot on the chute is towards the bottom. Align the three holes on the chute with the three weld studs. See figure 6.
- Secure with the three pairs of cupped washers and hex nuts that you earlier removed. Do not tighten the nuts at this time. Make sure to place the cupped side of the washer against the chipper chute.
- Your unit is shipped with one end of the brace already secured to the lower frame. Loosen the bolts securing the brace to the frame.
- Align the holes on the chute with the holes on the brace. See figure 6.
- Insert one each of the hex bolts, lock nuts, and flat washers (that you earlier removed) through each hole in the chute and the brace. See figure 6 for the correct order. Tighten the bolts.
- Tighten the bolts securing the brace to the frame.
- Tighten the three nuts on the weld studs.

8. ATTACHING THE CATCHER BAG

Your chipper-shredder is equipped with a catcher bag to catch the shredded material.

- To attach the bag, place the opening of the bag over the chute deflector so it completely covers the chute deflector.
- Depress the plunger on the draw-string, and pull on the drawstring until the bag is tight around the chute opening. Release plunger to lock it into position. See figure 7.

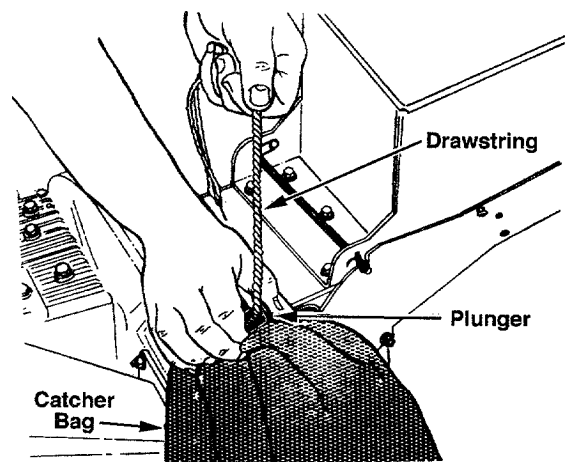


Figure 7

OPERATION

Read this owner's manual and safety rules before operating your chipper-shredder. Compare the illustrations with your chipper-shredder to familiarize yourself with the location of various controls and adjustments. Save this manual for future reference.

The operation of any chipper-shredder can result in foreign objects being thrown into the eyes, which can result in severe eye damage. **Always wear safety glasses** provided with the chipper-shredder or eye shields before chipping or shredding, or while performing any adjustments or repairs.

1. KNOW YOUR CHIPPER-SHREDDER

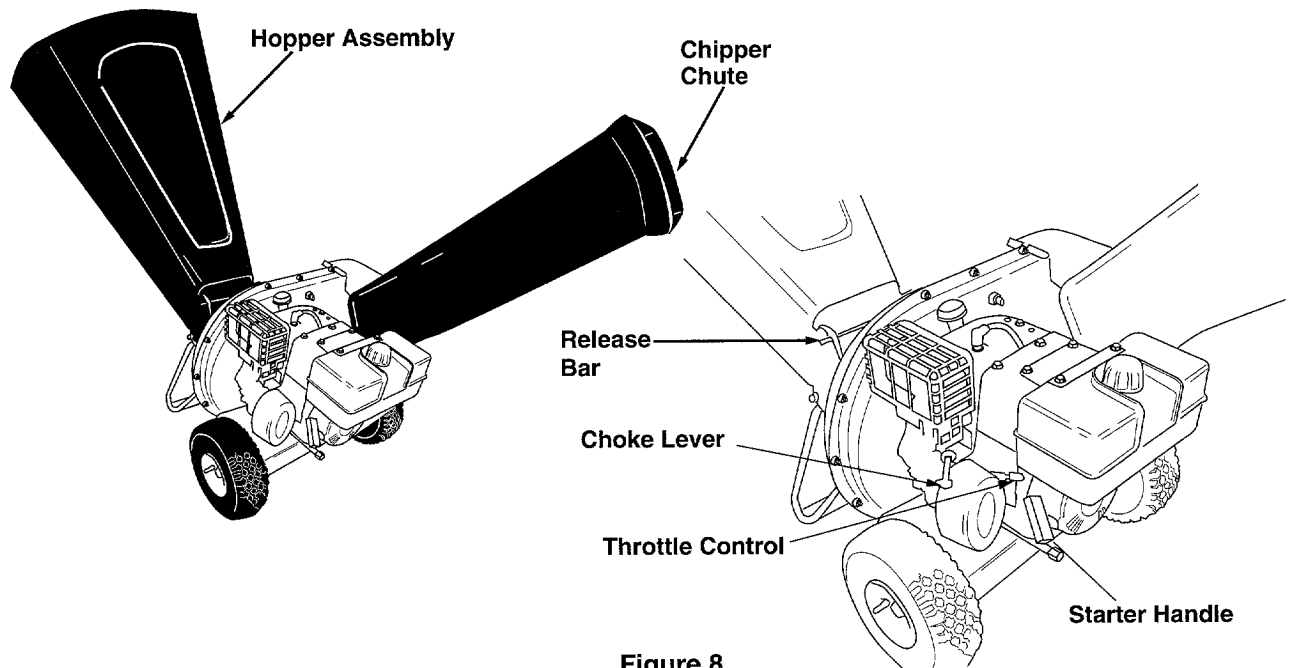


Figure 8

2. OPERATING CONTROLS

Release Bar

Used to release the hopper when raising or lowering. See figure 8.

Choke Lever

Used to enrich the fuel mixture in the carburetor when starting a cold engine. See figure 8.

Starter Handle

Used to manually start the engine. See figure 8.

Hopper Assembly

Allows leaves and small branches upto 1" diameter to

be fed into the impeller for chipping and shredding. Lower the hopper to collect raked material for shredding.

Throttle Control

Regulates speed of the engine. See figure 8.

Chipper Chute

Allows bulky vegetation like stalks or heavy branches upto 3" diameter to be fed into the impeller for chipping and shredding. See figure 8.

Catcher Bag (Not Shown)

Used to collect the shredded material.

MEETS ANSI SAFETY STANDARDS

Sears chipper-shredders conform to the safety standard B 71.6 -1990 of the American National Standards Institute.

Stopping Engine

Move throttle control lever to STOP position. Disconnect spark plug wire and move away from spark plug to prevent accidental starting.

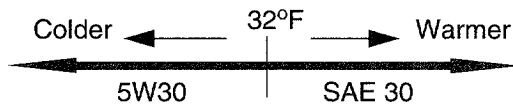


WARNING: Before using your chipper-shredder, again refer to the **safety rules on page 3 and 4** of this manual. **Always be careful.**

3. GAS AND OIL FILL-UP

Oil (Packed with unit)

- Only use high quality detergent oil rated with API service classification SF, SG or SH. Select the oil's viscosity grade according to your expected operating temperature. Follow the chart below.



NOTE: Although multi-viscosity oils (5W30, 10W30, etc.) improve starting in cold weather, these multiviscosity oils will result in increased oil consumption when used above 32°F. Check the oil level more frequently to avoid possible engine damage from running low on oil.

Fill engine with oil as follows.

- Remove oil fill dipstick. See figure 9

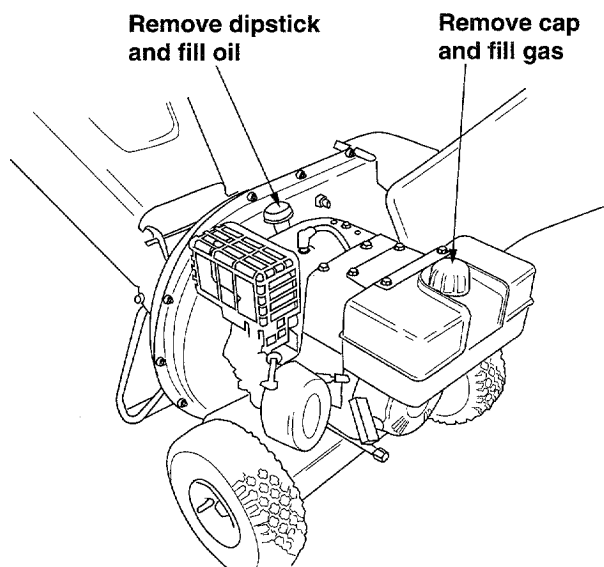


Figure 9

- With chipper-shredder on level ground, use a funnel to fill engine with oil to FULL mark on dipstick. Capacity is approximately 26 ounces. Be careful not to overfill.
- Check oil level.
- Add oil if necessary.
- Replace dipstick and tighten.

NOTE: Do not overfill. Oil bottle packed with unit contains 26 oz. of oil.

Gasoline

WARNING: Experience indicates that alcohol blended fuels (called gasohol or using ethanol or methanol) can attract moisture which leads to separation and formation of acids during storage. Acidic gas can damage the fuel system of an engine while in storage. To avoid engine problems, the fuel system should be **emptied before storage** for 30 days or longer. Drain the gas tank, start the engine and let it run until the fuel lines and carburetor are empty. Use fresh fuel next season. See STORAGE instructions for additional information. **Never use engine or carburetor cleaner products in the fuel tank or permanent damage may occur.**

Fill gas tank with gas as follows.

- Remove fuel cap.
- Make sure the container (from which you will pour the gasoline) is clean and free from rust or foreign particles. Never use gasoline that may be stale from long periods of storage in the container.
- Fill fuel tank with clean, fresh, lead-free automotive gasoline. DO NOT use Ethyl or high octane gasoline. See figure 9.
- Replace fuel cap.



WARNING: Do not fill closer than 1/2 inch of top of fuel tank to prevent spills and to allow for fuel expansion. If gasoline is accidentally spilled, move chipper-shredder away from area of spill. Avoid creating any source of ignition until gasoline vapors have disappeared.

- Check the fuel level periodically to avoid running out of gasoline while operating the chipper-shredder.
- If the unit runs out of gas as it is shredding or chipping, it may be necessary to unclog the unit before it can be restarted. Refer to Removing the Flail Screen in SERVICE AND ADJUSTMENT section.

4. STARTING ENGINE



WARNING: Be sure **no one other than the operator** is standing near the chipper-shredder while starting or operating. **Do not operate** this chipper-shredder unless the chute deflector has been properly installed and is secured with the hand knobs.

NOTE: To prevent the unit from sliding, place your foot firmly against the tire.

1. Attach spark plug wire

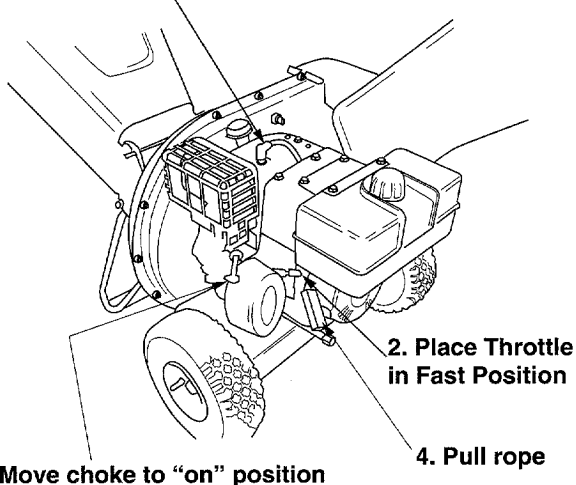


Figure 11

- Attach spark plug wire and rubber boot to spark plug.
- Move starter switch to "ON" position.
- Move choke lever to CHOKE position (in the direction of the arrow).
- If restarting a warm engine **after a short shutdown**, move choke lever to "No Choke" position.
- Grasp starter handle and pull rope out slowly until engine reaches start of compression cycle (rope will pull slightly harder at this point). Let the rope rewind slowly.
- Pull rope with a rapid full arm stroke. Let rope return to starter slowly.
- When engine starts, move choke lever to half choke position until engine runs smoothly and then to No Choke position.
- If engine **fails to start** after three pulls, move choke lever to No Choke position and pull starter rope again.
- If engine fires, but **does not continue to run**, move choke lever to Full Choke position and pull rope again.
- Move choke lever to OFF position as engine warms up.

NOTE: A noise will be heard when finding the start of the compression cycle. This noise is caused by the flails and fingers which are part of the shredding mechanism falling into place, and should be expected. In addition, the flails and fingers will be noisy after the engine is started, until the impeller reaches full speed.

5. STOPPING ENGINE

- Move starter switch to OFF position.
- Disconnect spark plug wire and move away from spark plug to prevent accidental starting.

6. USING YOUR CHIPPER-SHREDDER



WARNING: Do not attempt to shred or chip any material other than vegetation found in a normal yard (i.e., branches, leaves, twigs, etc.).

- The chipper-shredder is designed for three different methods of operation.
 - a. Leaves and small branches up to 1" diameter (maximum) can be fed into the hopper assembly when it is in the raised or lowered position. See figure 12.
 - b. Bulky material, such as stalks or heavy branches, up to 3" in diameter should be fed into the chipper chute. See figure 12.



WARNING: Do not put material larger than is specified into the hopper, and/or into the chipper chute. Personal injury or damage to the machine could result.

- If it becomes necessary to push material into the chipper-shredder, use a small diameter stick -- NOT YOUR HANDS. The stick should be small enough that it will be ground up if it gets into the impeller assembly.

7. LOWER THE HOPPER ASSEMBLY

- To lower the hopper assembly, use one hand to grasp the hand-hold at the top of the hopper assembly and lift slightly. See figure 5.
- Pull up on the release bar, and lower the hopper assembly to the ground. Release the bar. See figure 5.



WARNING: Never remove chute deflector till the unit has completely stopped. **Never shut off the engine until all chipping is completed.**

For best performance, it is important to keep the shredding blade and the chipper blades sharp. If the composition of the material being discharged changes (becomes stringy, etc.) or if the rate at which the material is discharged slows down considerably, it

is likely that the shredding blade and/or chipper blades are dull and need to be sharpened or replaced. Refer to Service and Adjustments section. **IMPORTANT:** There is a flail screen located inside the housing in the discharge area. If the flail screen becomes clogged, remove and clean as instructed in the Service and Adjustments section.



WARNING: The chipper-shredder discharges materials with considerable velocity. **Keep away** from the area around the discharge chute. Always **stop the engine** and disconnect spark plug wire when removing or attaching the bag, changing containers, or removing the shredded material. Wear safety glasses and gloves whenever using your chipper-shredder.

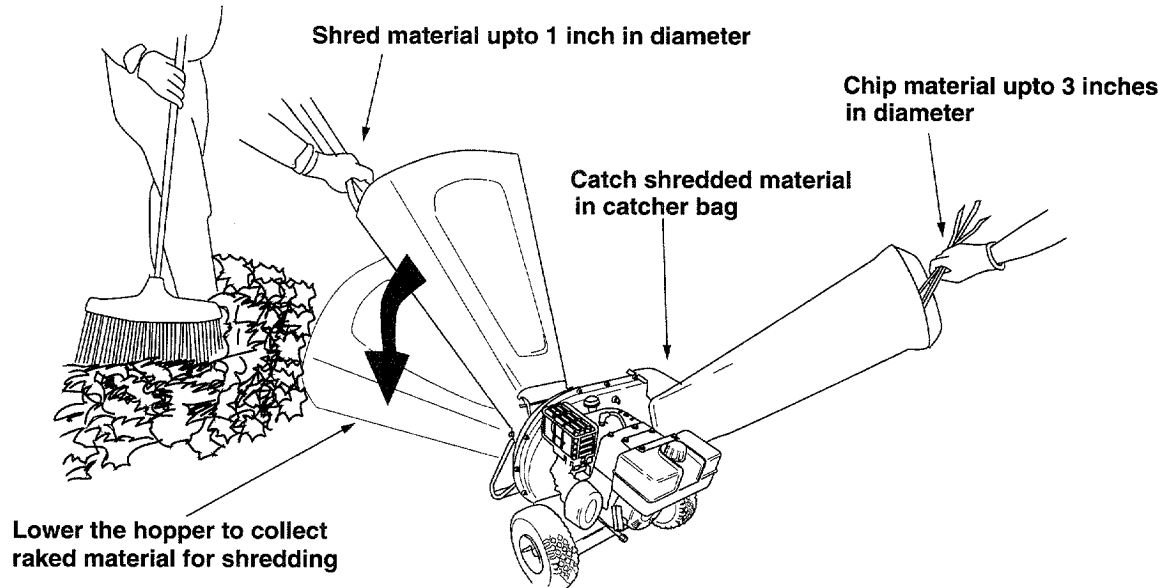


Figure 12

MAINTENANCE

1. GENERAL RECOMMENDATIONS

- Always observe safety rules when performing any maintenance.
- The warranty on this snow thrower does not cover items that have been subjected to operator abuse or negligence. To receive full value from the warranty, operator must maintain the chipper-shredder as instructed in this manual.
- Some adjustments will need to be made periodically to maintain your unit properly.

- All adjustments in the Service and Adjustments section of this manual should be checked at least once each season.
- Follow the maintenance schedule given below.
- Periodically check all fasteners and make sure these are tight.



WARNING: Always stop the engine and **disconnect** the spark plug wire before performing any maintenance or adjustments. **Never remove discharge chute** till the engine has completely stopped.

CUSTOMER RESPONSIBILITIES

MAINTENANCE		Before each Use	After each Use	First five hours	Every 25 hours	Every 50 hours	Before storage	SERVICE DATES							
PRODUCT	Oil pivot points					✓									
	Clean shredder		✓				✓								
ENGINE	Check engine oil	✓													
	Change engine oil			✓	✓										
	Service air cleaner				✓										
	Clean engine				✓		✓								
	Reset spark plug				✓		✓								
	Clean muffler						✓								

2. CLEANING

- Clean the chipper-shredder by running water from a hose through the hopper assembly and chipper chute with the engine running. Allow the chipper-shredder to dry thoroughly.
- Wash the bag periodically with water. Allow to dry thoroughly in the shade. Do not use heat.

3. ENGINE MAINTENANCE

Engine Oil

- Only use high quality detergent oil rated with API service classification SF, SG or SH. Select the oil's viscosity grade according to your expected operating temperature. Refer to page 9 of this manual for viscosity chart.
- The four-cycle engine of your chipper-shredder will normally consume some oil. Therefore, check engine oil level regularly approximately every five hours of operation and before each usage.
- Stop engine and wait several minutes before

checking oil level. With engine on level ground, the oil must be to FULL mark on dipstick .

- Change engine oil after the first five hours of operation, and every twenty-five hours thereafter.

To Drain Oil

Drain oil while engine is warm. Follow the instructions given below.

- Remove oil drain plug. Catch oil in a suitable container.
- When engine is drained of all oil, replace drain plug securely.
- Refill with fresh oil. Refer to GAS AND OIL FILL-UP section.
- Replace dipstick.

Air Cleaner

The air cleaner prevents damaging dirt, dust, etc., from entering the carburetor and being forced into the engine and is important to engine life and performance. The air cleaner consists of a pre-cleaner or foam filter, and a paper filter. **Never run**



the engine without air cleaner completely assembled.

To Service Air Cleaner:

1. Service pre-cleaner after every 25 hours of use, or at least once a season.
 2. Service filter every 100 hours of use, or at least once a season.
 3. Service pre-cleaner and filter more often under dusty conditions.
- Remove wing nut and cover.
 - Slide pre-cleaner off filter. Clean the inside of base and cover thoroughly.

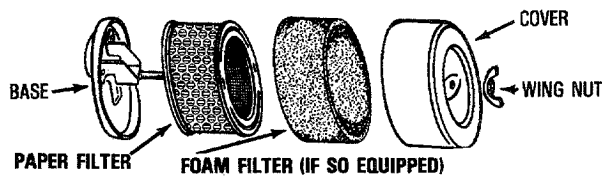


Figure 13

- Clean pre-cleaner as follows:
 - a. Wash in water and detergent solution, and squeeze (do not twist) until all dirt is removed.
 - b. Rinse thoroughly in clear water.
 - c. Wrap in a clean cloth and squeeze (do not twist) until completely dry, or allow to air dry.
 - d. Saturate with engine oil and squeeze (don't twist) to distribute oil and remove excess oil.

NOTE: If the pre-cleaner is torn or damaged in any way, replace it.

- If necessary, replace paper filter (do not attempt to clean). Install new filter on base.
- Slide pre-cleaner over filter.
- Install cover and wing nut.
- Tighten wing nut securely.

Clean Engine

- Clean engine periodically. Remove dirt and debris with a cloth or brush.
- Frequently remove grass clippings, dirt and debris from cooling fins, air intake screen and levers and linkage. This will help ensure adequate cooling and correct engine speed. See figure 14

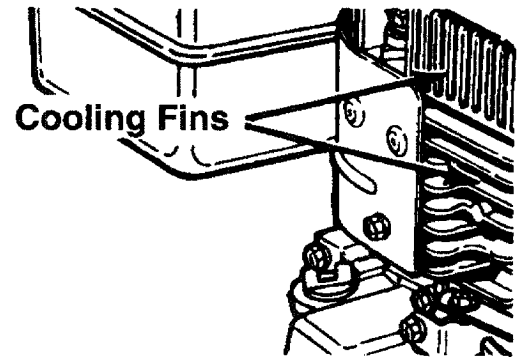


Figure 14

- Yearly or every 25 hours, whichever occurs first, remove the blower housing and clean the areas shown in figure 14 to avoid overspeeding, overheating and engine damage. Clean more often if necessary.

NOTE: Cleaning with a forceful spray of water is not recommended as water could contaminate the fuel system.



WARNING: Temperature of muffler and nearby areas may exceed 150° F(65°C). Avoid these areas.

Spark Plug

- Clean the spark plug and reset the gap to .030" at least once a season or every 50 hours of operation. See figure 15. Spark plug replacement is recommended at the start of each season. Refer to engine parts list for correct spark plug type.

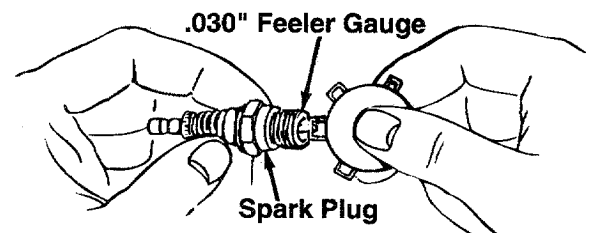


Figure 15

NOTE: Do not sandblast spark plug. Spark plug should be cleaned by scraping or wire brushing and washing with a commercial solvent.

Muffler



WARNING: Do not operate the chipper-shredder **without a muffler**, or tamper with the exhaust system. Damaged mufflers or spark arresters could create a fire hazard.

- Inspect periodically, and replace if necessary. If your engine is equipped with a spark arrester screen assembly, remove every 50 hours for cleaning and inspection. Replace if damaged.



WARNING: Always **stop engine**, **disconnect spark plug wire**, and move it away from spark plug before performing any adjustments or repairs.

4. LUBRICATION

Lubricate the pivot points on the release bar, hopper assembly, chute deflector and chipper chute once a season using a light oil. See figure 16

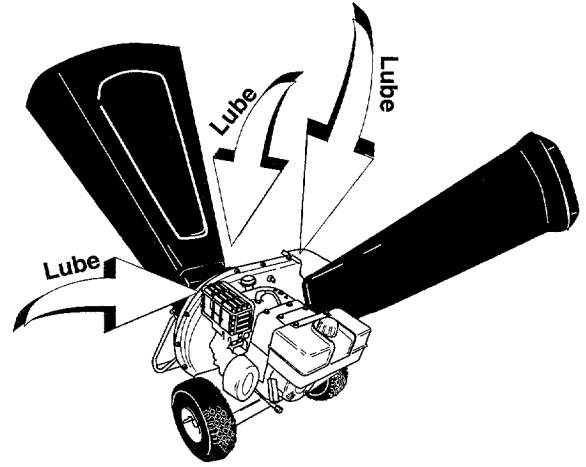


Figure 16: Lubrication Chart

SERVICE & ADJUSTMENTS

1. REMOVING THE FLAIL SCREEN

If the discharge area becomes clogged, remove the flail screen and clean area as follows.

- Stop engine, make certain the chipper-shredder has come to a complete stop and disconnect spark plug wire from the spark plug before unlogging the chute.
- Remove the two hand knobs on each side of the discharge chute (also called the chute deflector).
- Lift the discharge chute up, and keep it out of the way.
- Remove two hairpin clips from the clevis pins which extend through the housing. Remove the clevis pins. See figure 17.
- Pull the flail screen from inside the housing. See figure 17.
- Clean the screen by scraping or washing with water.

- Reinstall the screen.
- Put the discharge chute back to its original position and tighten the hand knobs.

NOTE: *Be certain to reassemble the flail screen with the curved side down.*

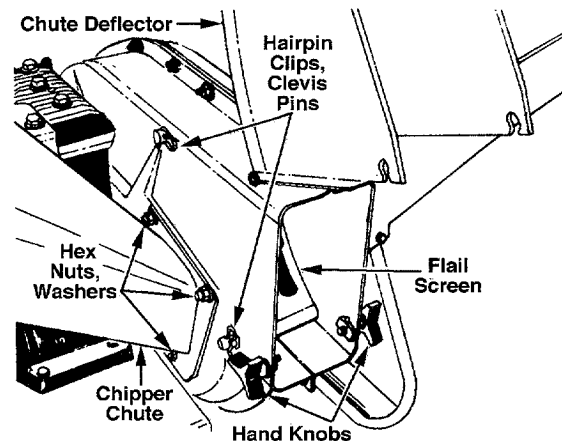


Figure 17

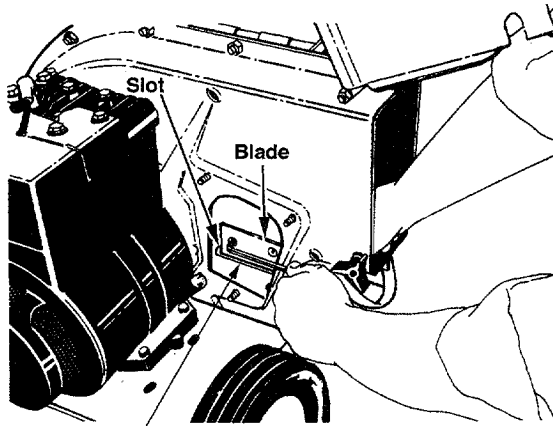
2. SHARPENING OR REPLACING THE BLADES

Chipper Blades

- Disconnect spark plug wire and move it away from spark plug.
- Remove the flail screen as instructed in previous section.
- Using a 1/2" wrench, remove the chipper chute by removing three hex nuts and washers. See figure 17.
- Using a 7/16" wrench, remove the brace (holding the chute to the frame) by removing the hex bolts.

NOTE: When re-assembling, the cupped washer goes on the slot toward the bottom of the chipper chute with the cupped side against the chute.

- Rotate the impeller assembly by hand until you locate one of the two chipper blades in the chipper chute opening. Remove the blade, using a 3/16" allen wrench on the outside of the blade and 1/2" wrench on the impeller assembly (inside the housing). See figure 18.



Sharp Edge

Figure 18

- Remove the other blade in the same manner.
- Replace or sharpen blades.
- If sharpening, make certain to remove an equal amount from each blade.
- Reassemble in reverse order. Make certain blades are reassembled with the sharp edge facing the direction shown in figure 18 (sharp edge is assembled toward the slotted opening at the bottom).
- Torque bolts and nuts to 250-350 inch-pounds.

Shredding Blade

The shredding blade may be removed for sharpening or replacement as follows.

- Disconnect spark plug wire and move it away from spark plug.
- Lower the hopper assembly. Block up the housing. See figure 19.

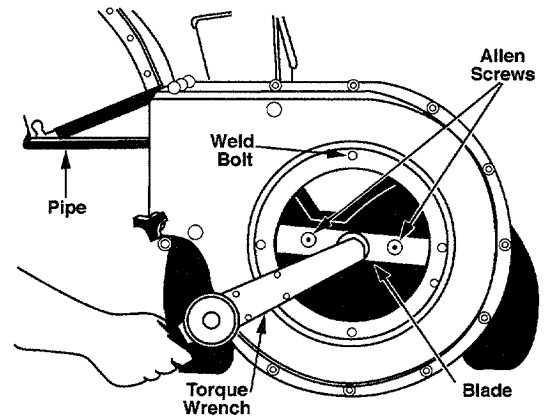


Figure 19

- Remove the six hex lock nuts and lock washers from the housing weld bolts using a 1/2" wrench. Separate the chipper-shredder into two halves.
- Remove the back-up plate.

NOTE: When reassembling, make certain the embossed tab faces inward towards the impeller, and opening on the back-up plate is toward the bottom of the unit.

- Remove the two hand knobs and cupped washers which secure the chute deflector. Raise the chute deflector.
- Insert a 1/2" or 3/4" diameter pipe through the flail screen into the impeller to keep it from turning, or remove the flail screen and insert a piece of wood (2 x 4) into the chute opening.
- Remove the two outside screws on the blade, using a 3/16" allen wrench and a 1/2" wrench.
- Remove the blade by removing the center bolt, lock washer and flat washer.



WARNING: Use caution when removing the blade to avoid contacting the weld bolts on the housing.

- When sharpening the blade, follow the original angle of grind as a guide. It is extremely important that each cutting edge receives an

equal amount of grinding to prevent an unbalanced blade.

- An unbalanced blade will cause excessive vibration when rotating at high speeds and may cause damage to the unit. The blade can be tested for balance by balancing it on a round shaft screwdriver or nail. Remove metal from the heavy side until it is balanced evenly. See figure 20.
- When reassembling the blade, tighten center bolt to between 550 and 650 inch-pounds and the two outer bolts to between 250 and 350 inch-pounds, or lacking torque wrench, tighten securely.

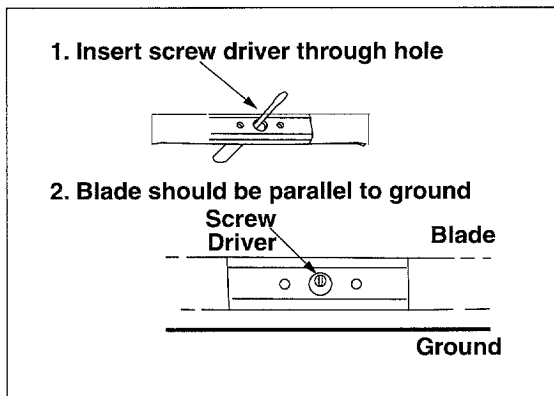


Figure 20

3. ADJUSTING CARBURETOR



WARNING: If any adjustments are made to the engine while the engine is running (e.g. carburetor), **keep clear of all moving parts.** Be careful of **heated surfaces** and muffler.

The carburetor has been pre-set at the factory and should not require adjustment. However, if your engine does not operate properly due to suspected carburetor problems, take your chipper-shredder to your nearest SEARS service center.

4. ENGINE SPEED

The engine speed on your chipper-shredder has been set at the factory. Do not attempt to increase engine speed or it may result in personal injury. If you believe the engine is running too fast or too slow, take your chipper-shredder to the nearest SEARS service center for repair and adjustment.

5. TIRES

Recommended operating tire pressure is 24 p.s.i. (sidewall of tire may give tire manufacturers recommended pressure). Equal tire pressure should be maintained on both tires.



WARNING: Excessive pressure when seating beads may cause tire/rim assembly to burst with force sufficient to cause serious injury.

Prepare your chipper-shredder for storage at the end of the season or if the unit will not be used for 30 days or more.

STORAGE



WARNING: Never store machine with fuel in the fuel tank inside of building **where fumes may reach an open flame or spark**, or where ignition sources are present such as hot water and space heaters, furnaces, clothes dryers, stoves, electric motors, etc.

A yearly check-up by your local Sears service center is a good way to make certain your chipper-shredder will provide maximum performance for the next season.

1. CHIPPER-SHREDDER

- Clean the chipper-shredder thoroughly.
- Wipe unit with an oiled rag to prevent rust (use a light oil or silicone).

2. ENGINE

IMPORTANT: It is important to prevent gum deposits from forming in essential fuel system parts such as carburetor, fuel filter, fuel hose, or tank during storage. Also, experience indicates that alcohol blended fuels (called gasohol or using ethanol or methanol) can attract moisture which leads to separation and formation of acids during storage. Acidic gas can damage the fuel system of an engine while in storage.

- Drain the fuel tank.
- Start the engine and let it run until the fuel lines and carburetor are empty.
- Drain carburetor by pressing upward on bowl drain which is located below the carburetor.
- Never use engine or carburetor cleaner products in the fuel tank or permanent damage may occur.
- Use fresh fuel next season.

NOTE: *Fuel stabilizer is an acceptable alternative in minimizing the formation of fuel gum deposits during storage.*

- Add stabilizer to gasoline in fuel tank or storage container.
- Always follow the mix ratio found on stabilizer container.
- Run engine at least 10 minutes after adding stabilizer to allow the stabilizer to reach the

carburetor.

- Do not drain the gas tank and carburetor if using fuel stabilizer. Drain all the oil from the crankcase (this should be done after the engine has been operated and is still warm) and refill the crankcase with fresh oil.
- If you have drained the fuel tank, protect the inside of the engine as follows.
- Remove spark plug, pour approximately 1/2 ounce (approximately one tablespoon) of engine oil into cylinder and crank slowly to distribute oil.
- Replace spark plug.

3. OTHER

- Do not store gasoline from one season to another.
- Replace your gasoline can if your can starts to rust. Rust and/or dirt in your gasoline will cause problems. Store unit in a clean, dry area. Do not store next to corrosive materials, such as fertilizer.

NOTE: *If storing in an unventilated or metal storage shed, be certain to rustproof the equipment by coating with a light oil or silicone.*

TROUBLE-SHOOTING

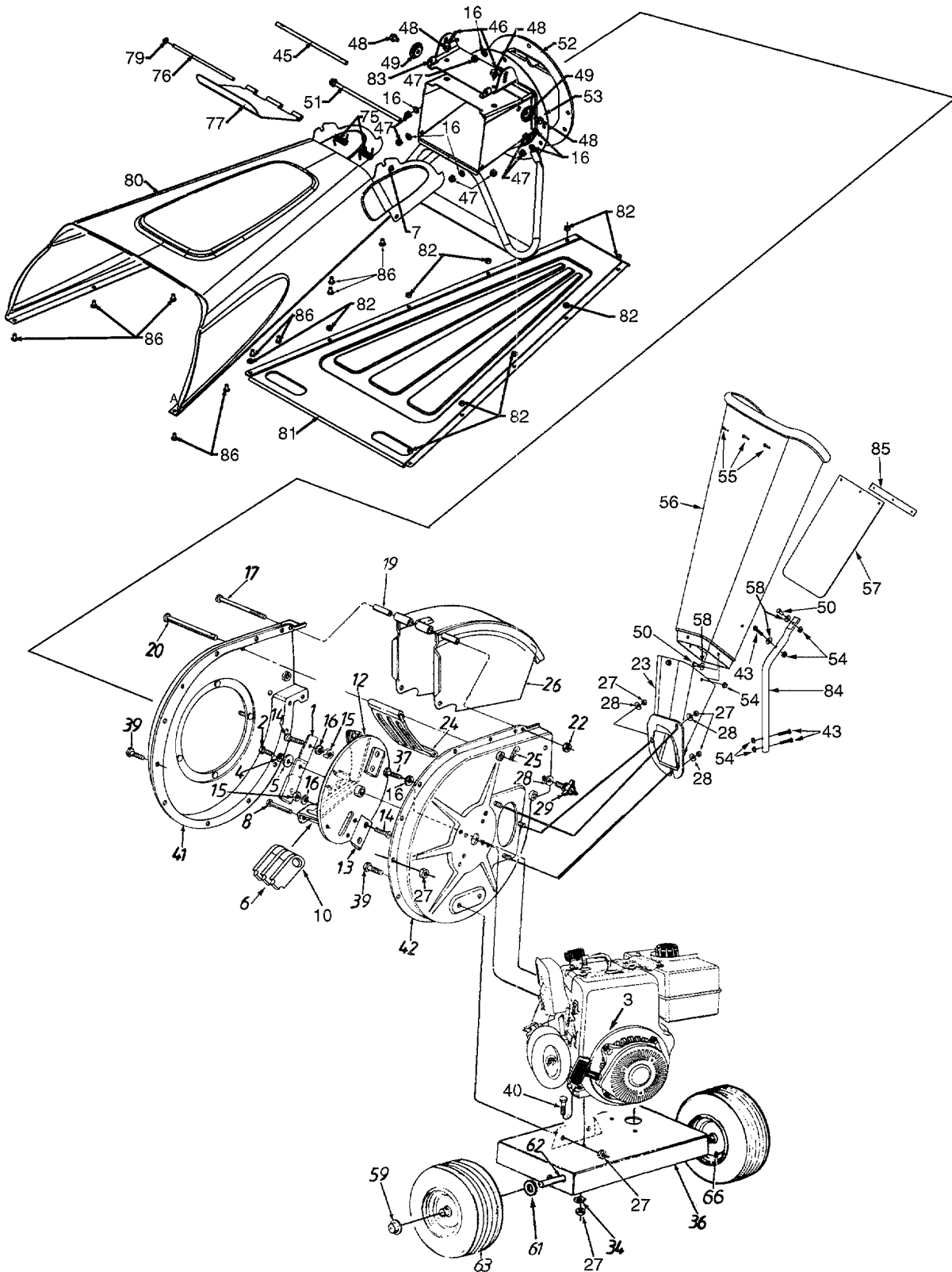
PROBLEM	POSSIBLE CAUSE	CORRECTIVE ACTION
Engine fails to start	<ol style="list-style-type: none"> 1. Fuel tank empty, or stale fuel 2. Spark plug wire disconnected 3. Faulty spark plug 4. Throttle control not in correct position 	<ol style="list-style-type: none"> 1. Fill tank with clean, fresh fuel 2. Connect wire to spark plug. 3. Clean, adjust gap or replace. 4. Move throttle control to FAST position
Loss of power; operation erratic	<ol style="list-style-type: none"> 1. Spark plug wire loose 2. Unit running on Choke 3. Blocked fuel line or stale fuel 4. Water or dirt in fuel system 5. Carburetor out of adjustment 6. Dirty air cleaner 	<ol style="list-style-type: none"> 1. Connect and tighten spark plug wire 2. Move choke lever to OFF position 3. Clean fuel line; fill tank with clean, fresh gasoline. 4. Disconnect fuel line at carburetor to drain fuel tank. Refill with fresh fuel. 5. Contact your SEARS service center. 6. Service air cleaner.
Engine overheats	<ol style="list-style-type: none"> 1. Carburetor not adjusted properly 2. Engine oil level low 	<ol style="list-style-type: none"> 1. Contact your SEARS service center 2. Fill crankcase with proper oil
Too much vibration	<ol style="list-style-type: none"> 1. Loose parts or damaged impeller 	<ol style="list-style-type: none"> 1. Stop engine immediately and disconnect spark plug wire. Tighten all bolts and nuts. Make all necessary repairs. If vibration continues, have unit serviced by a SEARS service center.
Unit does not discharge	<ol style="list-style-type: none"> 1. Discharge chute clogged 2. Foreign object lodged in impeller 	<ol style="list-style-type: none"> 1. Stop engine immediately and disconnect spark plug wire. clean flail screen and inside of blower housing. 2. Stop engine immediately and disconnect spark plug wire. Remove lodged object.
Rate of discharge slows considerably or composition of discharged material changes	<ol style="list-style-type: none"> 1. Shredding blade and/or chipping blade dull 	<ol style="list-style-type: none"> 1. Sharpen or replace blade(s)



For repairs beyond the minor adjustments listed above, please contact your nearest SEARS service center.

PARTS LIST

SEARS CRAFTSMAN 8 H.P. CHIPPER-SHREDDER MODEL 247.775860



SEARS CRAFTSMAN 8 H.P. CHIPPER-SHREDDER MODEL 247.775860

KEY NO.	PART NO.	DESCRIPTION	KEY NO.	PART NO.	DESCRIPTION
--	770-0549M	Owner's Manual	39	710-3008	Hex Bolt 5/16-18 x .75" (Gr. 5)
1.	742-0571	Shredder Blade	40	710-0442	Hex Bolt 5/16-18 x 1.5"
2.	710-1254	Hex Patch Bolt 3/8-24 x 2.25" Lg. (Gr.8)	41	681-0004A	Flail Housing Ass'y. -- Outer
			42	681-0117	Flail Housing Ass'y. -- Inner
3	143.978005	Engine	43	710-0106	Hex Scr. 1/4-20 x .625 (Gr. 2)
4	736-0217	Lock Washer 3/8" I.D.	45	747-0531A	Release Bar
5	736-0247	Flat Washer .406" I.D. x 1.25" O.D.	46	732-0546	Torsion Spring
6	719-0329	Flail Blade	47	712-0429	Elastic Lock Nut 5/16-18 Thd.
8	711-0833B	Clevis Pin .496" dia.	48	710-0607	Hex Washer Hd. Self-Tapping Scr. 5/16-18 x .50" Lg.
10	715-0249	Spring Roll Pin 1.12" Lg.			
12	681-0030	Impeller Ass'y. Comp.	49	11480	Stop Washer
13.	781-0490	Chipper Blade	50	710-0258	Hex Bolt 1/4-20 x .625
14.	710-1054	Flat Hd. Scr. 5/16-24 x .75" Lg.	51	710-0542	Hex Bolt 5/16-18 x 8.38" Lg.
15.	712-0411	Hex Top Lock Nut 5/16-24 (Gr.5)	52	781-0715	Shredder Plate
16.	736-0119	Lock Washer 5/16" I.D.	53	681-0111	Inlet Guide Ass'y.
17.	710-0825	Hex Bolt 1/4-20 x 3.75" Lg.	54	712-3027	Flanged Lock Nut
19.	750-0793	Chute Hinge Spacer 1.66" Lg.	55	728-0175	Pop Rivet
20.	711-0835	Clevis Pin .5" Dia. x 4.62" Lg.	56	731-1899	Chipper Chute
22	712-0291	Hex Ctr. Lock Nut 1/4-20 Thd.	57	735-0249	Shredder Chute Flap
23.	681-0068	Chipper Chute Ass'y.	58	736-0173	Flat Washer .28 I.D. x .74 O.D.
24.	781-0457	Shredder Screen	59	726-0214	Push Cap 5/8" Dia. Rod
25.	714-0149B	Internal Cotter Pin 3/8" dia.	61	736-0366	Flat Washer 1.12 O.D. x .64 I.D. x .120
26	681-0094	Discharge Chute Ass'y.	62	738-0813	Shredder Axle
27.	712-3010	Hex Nut 5/16-18 Thd. (Gr.5)	63	734-1845	Wheel Ass'y. Comp.
28.	736-0242	Bell Washer .345" I.D. x .88"		734-0210	Tire only
29	720-0170	Hand Knob	65	741-0487	Flange Bearing .632" I.D.
34	736-0170	Spec. Lock Washer 5/16" I.D.	66	734-0255	Air Valve
36	781-0510B	Shredder Frame	75	732-0629	Torsion Spring
37	710-0157	Hex Bolt 5/16-24 x .75" Lg.	76	747-0747	Hopper Door Rod

(Table continued on page 21)

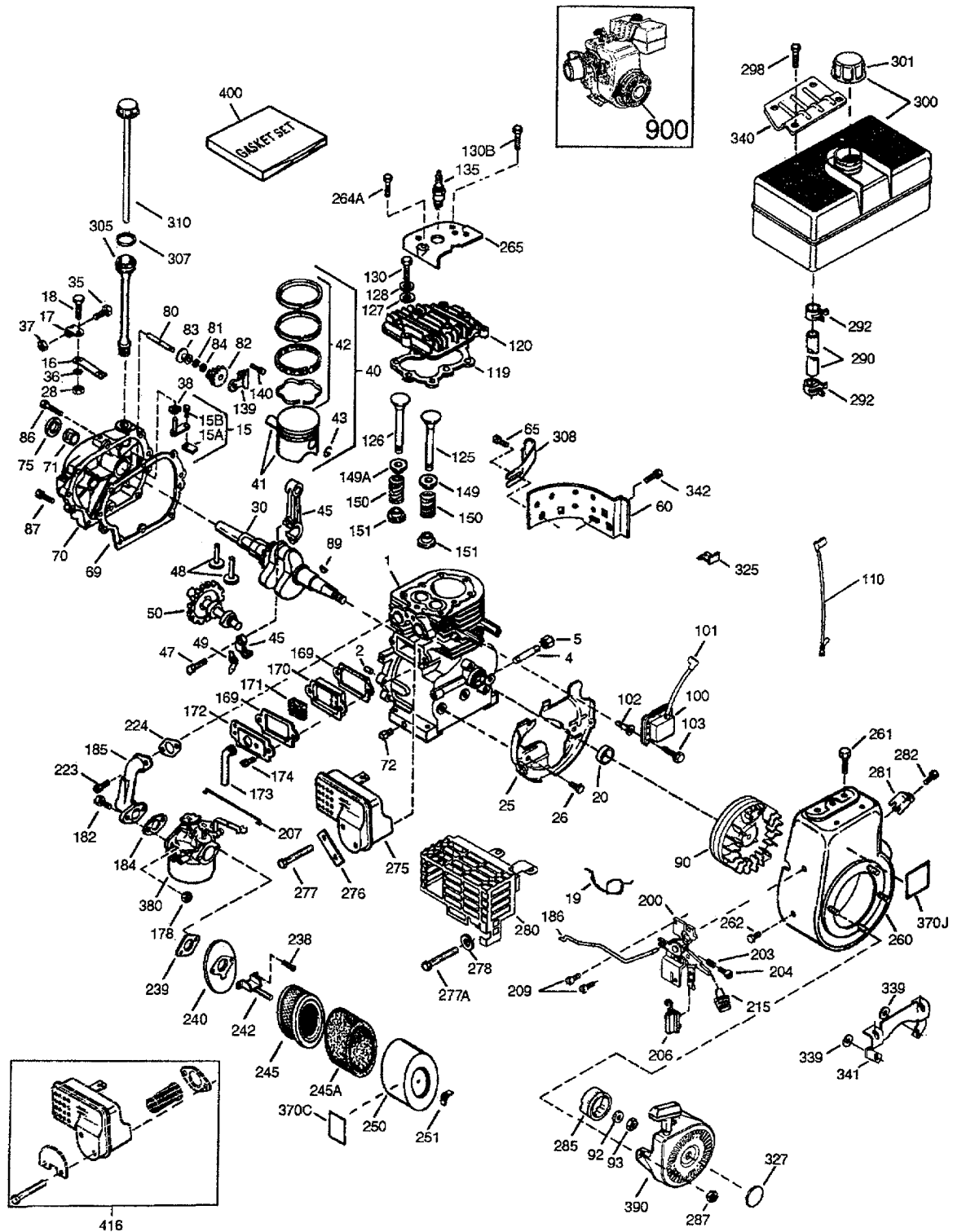
SEARS CRAFTSMAN 8 H.P. CHIPPER-SHREDDER MODEL 247.775860

(Table continued from page 20)

KEY NO.	PART NO.	DESCRIPTION
77	781-0492A	Hopper -- Pivot Door
79	726-0106	Cap Speed Nut 1/4" Rod
80	781-0692	Upper Hopper
81	781-0693	Lower Hopper
82	712-0107	Lock Nut 1/4" - 20
83	781-0698	Hopper Lockout Bracket
84	749-1004	Chipper Chute Support
85	781-0633	Flap Strip
86	710-0286	Screw 1/4" - 20 .5in.



SEARS CRAFTSMAN 8 H.P. ENGINE MODEL 143.978005 FOR CHIPPER-SHREDDER MODEL 247.775860



SEARS CRAFTSMAN 8 H.P. ENGINE MODEL 143.978005 FOR CHIPPER-SHREDDER MODEL 247.775860

Key No.	Part No.	Description	Key No.	Part No.	Description
	-	RPM Low 1700	92	650880	Lock Washer
	-	RPM High 3450 to 3750	93	650881	Flywheel Nut
1	35385	Cylinder (Incl. 2 & 20)	100	35135	Solid State Ignition
2	27652	Dowel Pin	101	610118	Spark Plug Cover
4	-	Oil Drain Extension	102	650872	Solid State Mounting Stud
5	30969	Extension Cap	103	651007	Screw, Torx T-15, 10-24 x 15/16"
15	30699C	Governor Rod (Incl. 15A & 15B)	110	35187	Ground Wire
15A	30700	Governor Yoke	119	36448	Cylinder Head Gasket
15B	650494	Screw, 6-40 x 5/16"	120	36449	Cylinder Head
16	33454	Governor Lever	125	27878A	Exhaust Valve (Std.) (Incl. 151)
17	29916	Governor Lever Clamp		27880A	Exhaust Valve (1/32" O.S.) (Incl. 151)
18	651028	Screw, Torx T-15, 8-32 x 3/8"	126	34035	Intake Valve (Std.) (Incl. 151)
19	34663	Speed Control Spring		34036	Intake Valve (1/32" O.S.) (Incl. 151)
20	35319	Oil Seal	127	650691	Washer
25	36460	Blower Housing Baffle	128	650690	Belleville Washer
26	650561	Screw, 1/4-20 x 5/8"	130	650694A	Screw, 5/16-18 x 2"
28	30322	Lock Nut, 8-32	130B	650273	Screw, 5/16-18 x 5/8"
30	36283A	Crankshaft	135	33636	Resistor Spark Plug (RJ-17LM)
35	29826	Screw, 10-32 x 3/4"	139	33369	Governor Gear Bracket
36	29918	Lock Washer	140	650838	Screw, 10-24 x 1/2"
37	29216	Lock Nut, 10-32	149	27882	Valve Spring Cap
38	29642	Retaining Ring	149A	35862	Valve Spring Cap
40	34552	Piston, Pin, And Ring Set (Std.)	150	27881	Valve Spring
	34553	Piston, Pin, And Ring Set (.010" O.S.)	151	32581	Valve Spring Keeper
	34554	Piston, Pin, And Ring Set (.020" O.S.)	169	27898A	Breather Gasket
41	34329A	Piston & Pin Ass'y. (Std.) (Incl. 43)	170	28423	Breather Body
	34330A	Piston & Pin Ass'y. (.010" O.S.) (Incl. 43)	171	28424	Breather Element
	34331A	Piston & Pin Ass'y. (.020" O.S.) (Incl. 43)	172	28425	Valve Cover
42	34332	Ring Set (Std.)	173	35350	Breather Tube
	34333	Ring Set (.010" O.S.)	174	650128	Screw, 10-24 x 1/2"
	34334	Ring Set (.020" O.S.)	178	29752	Nut and Lock Washer, 1/4-28
43	27888	Piston Pin Retaining Ring	182	30088A	Screw, 1-4-28 x 1"
45	36897	Connecting Rod Ass'y. (Incl. 47 & 49)	184	33263	Carburetor to Intake Pipe Gasket
47	651033	Connecting Rod Bolt	185	34707	Intake Pipe
48	34034	Valve Lifter	186	34667	Governor Link
49	36896	Oil Dipper	200	34677	Control Bracket (Incl. 19, 203 & 204)
50	35375	Camshaft (MCR)	203	31342	Compression Spring
60	33273A	Blower Housing Extension	204	651029	Screw, Torx T-10, 5-40 x 7/16"
65	650128	Screw, 10-24 x 1/2"	206	610973	Terminal
69	35262A	Cylinder Cover Gasket	207	33878	Throttle Link
70	35376	Cylinder Cover (Incl. 71, 75 & 80)	209	650821	Screw, 10-32 x 1/2"
71	35377	Crankshaft Bushing	215	35882	Control Knob
72	28582	Oil Drain Plug	223	650378	Screw, Torx T-30, 5/16-18 x 1-1/8"
75	35319	Oil Seal	224	27915A	Intake Pipe Gasket
80	31845	Governor Shaft	238	28820	Screw, 10-32 x 1/2"
81	30590A	Washer	239	27272A	Air Cleaner Gasket
82	35378	Governor Gear Ass'y. (Incl. 81)	240	33266	Air Cleaner Body
83	30588A	Governor Spool	242	33267	Air Cleaner Bracket
84	29193	Retaining Ring	245	33268	Air Cleaner Filter
86	650833	Screw, 1/4-20 x 1-3/16"	245A	35881	Air Cleaner Filter
87	650832	Screw, 1/4-20 x 1-11/16"	250	33269A	Air Cleaner Cover
89	32589	Flywheel Key	251	650513	Wing Nut, 1/4-20
90	611090	Flywheel	260	36250	Blower Housing

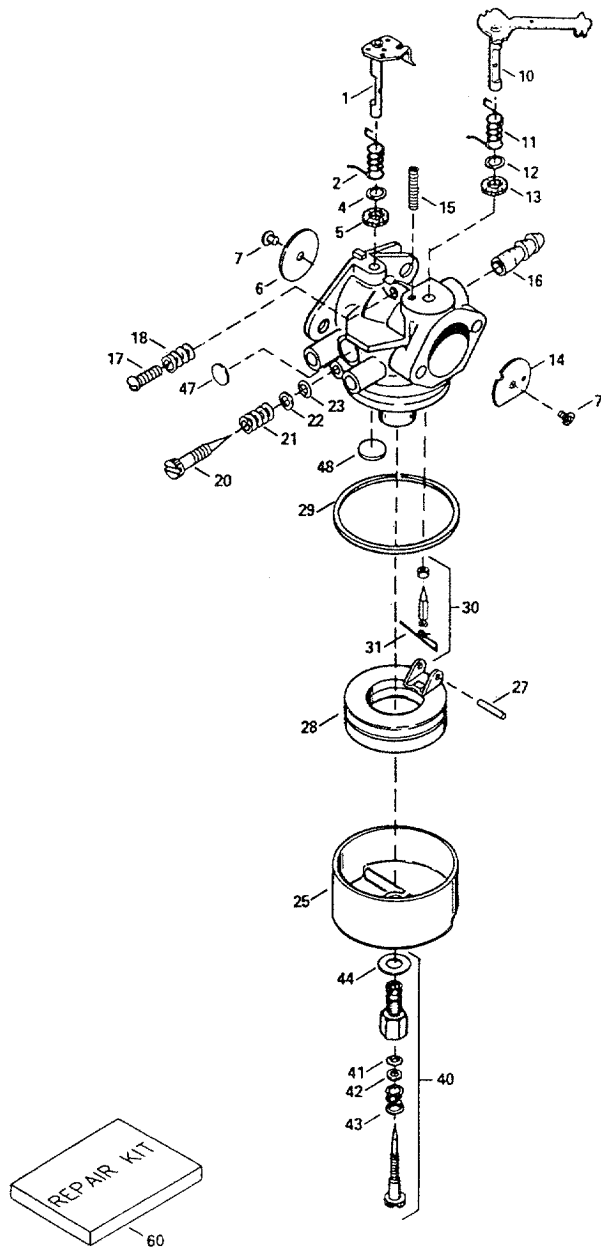
**SEARS CRAFTSMAN 8 H.P. ENGINE MODEL 143.978005 FOR
CHIPPER-SHREDDER MODEL 247.775860**

Key No.	Part No.	Description	Key No.	Part No.	Description
261	650788	Screw, 5/16-18 x 3/4"	307	35499	"O"-Ring
262	29747B	Screw, Torx T-40, 5/16-24 x 21/32"	308	35540	Fill Tube Clip
264A	650802	Screw, 1/4-20 x 5/8"	310	36205	Dipstick
265	33272B	Cylinder Head Cover	325	29443	Wire Clip
275	34185B	Muffler	327	35392	Starter Plug
276	31588	Locking Plate	339	35880	Spacer
277	650729	Screw, 5/16-18 x 3-3/16"	340	34259	Fuel Tank Bracket
277A	651036	Screw, 5/16-18 x 3-31/32"	341	34258A	Fuel Tank Bracket
278	36908	Heat Shield Spacer	342	30063	Screw, Torx T-30, 1/4-20 x 1/2"
280	36799A	Heat Shield	370C	35274	Oil Instruction Decal
281	33013	Starter Bubble Cover	370J	35703	Throttle Decal
282	650760	Screw, 8/32 x 3/8"	380	632351	Carburetor (Incl. 184)
285	35985B	Starter Cup	390	590704	Recoil Starter
287	29752	Nut & Lock Washer, 1/4-28	400	36450B	Gasket Set (Incl. Items Marked PK in Notes)
290	30962	Fuel Line			Incl. part #'s 27272A, 27896A, 27915A, 29673,
292	26460	Fuel Line Clamp			33263, 33629, 34698A, 35262A, 36448
298	650665	Screw, 1/4-15 x 3/4"	416	34479A	Spark Arrester Kit
300	34186A	Fuel Tank (Incl. 292 & 301)	800	-	Replacement Engine.
301	36246	Fuel Cap	900	-	Replacement SB 758321, order from 71-999
305	35554	Oil Fill Tube			



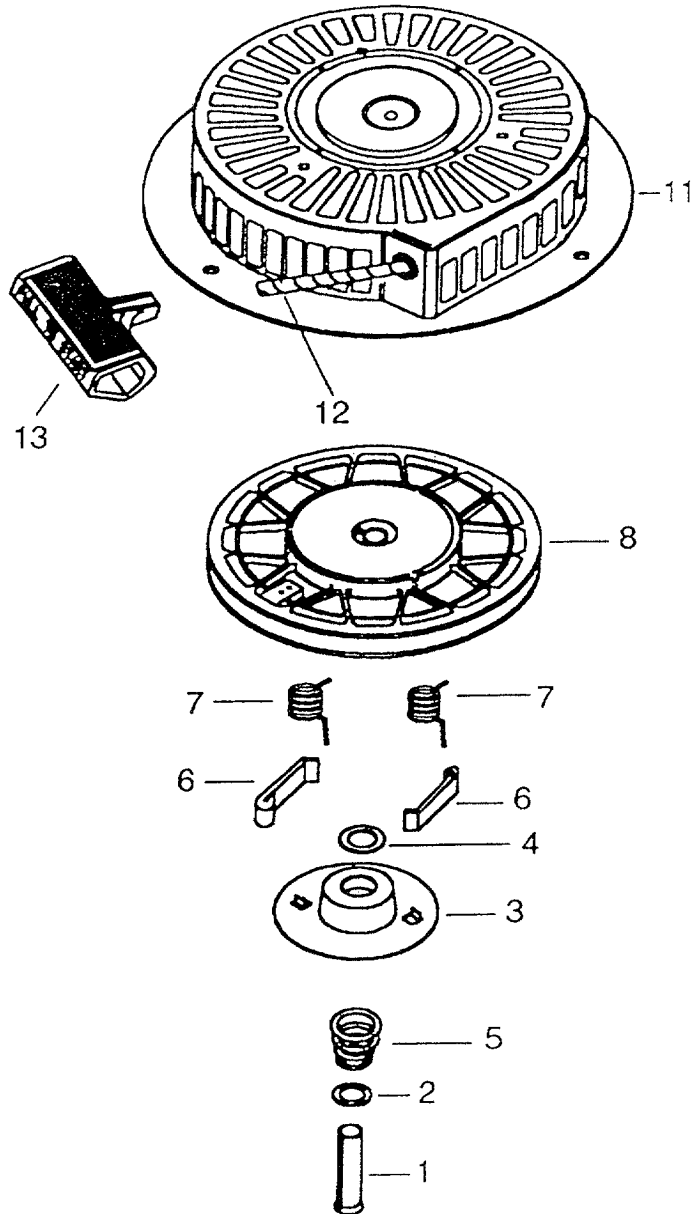
SEARS CRAFTSMAN 8 H.P. ENGINE MODEL 143.978005 FOR CHIPPER-SHREDDER MODEL 247.775860

Carburetor



Key No.	Part No.	Description
	632351	Carburetor (Incl. 184 of Engine Parts List)
1	631776A	Throttle Shaft & Lever Assembly
2	631970	Throttle Return Spring
4	631184	Dust Seal Washer
5	631183	Dust Seal (Throttle)
6	631778	Throttle Shutter
7	650508	Shutter Screw
10	631812	Choke Shaft & Lever Assembly
11	632043	Choke Return Spring
12	631184	Dust Seal Washer
13	631183	Dust Seal (Choke)
14	631753	Choke Shutter
15	630735	Choke Positioning Spring
16	632164	Fuel Fitting
17	650417	Throttle Crack Screw/Idle Speed Screw
18	630766	Tension Spring
20	632281	Idle Mixture Screw
21	630766	Tension spring
22	630739	Idle Mixture Screw Washer
23	630740	Idle Mixture Screw "O"-Ring
25	631867	Float Bowl
27	631024	Float Shaft
28	632019	Float
29	631028	Float Bowl "O"-Ring
30	631021	Inlet Needle, Seat & Clip (Incl. 31)
31	631022	Spring Clip
40	632239	Main Adj. Screw Ass'y. (Incl. 41 thru 44)
41	630740	High Speed Mixture Screw "O"-Ring
42	630739	High Speed Mixture Screw Washer
43	630738	High Speed Mixture Screw Tension Spring
44	27110	Bowl Nut Washer
47	630748	Welch Plug, Idle Mixture Well
48	631027	Welch Plug, Atmospheric Vent
60	632347	Repair Kit (Incl. Items Marked PK in Notes) Incl. (1) each of Part #s 27110, 630740, 630748, 631021, 631022, 631024, 631027, 631028, 632239, 632281

**SEARS CRAFTSMAN 8 H.P. ENGINE MODEL 143.978005 FOR
CHIPPER-SHREDDER MODEL 247.775860**



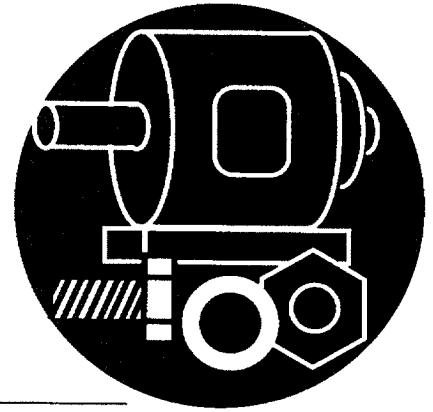
Key No.	Part No.	Description
1	590704	Recoil Starter
2	590599A	Spring Pin (Incl. 4)
3	590600	Washer
4	590696	Retainer
5	590601	Washer
6	590697	Brake Spring
7	590698	Starter Dog
8	590699	Dog Spring
8	590700	Pulley & Rewind Spring Ass'y
11	590705	Starter Housing Ass'y
12	590535	Starter Rope (98" x 9/64" Dia.)
13	590701	Starter Handle

**For the repair or replacement parts you need
delivered directly to your home**

Call 7 am - 7 pm, 7 days a week

1-800-366-PART

(1-800-366-7278)



For in-home major brand repair service

Call 24 hours a day, 7 days a week

1-800-4-REPAIR

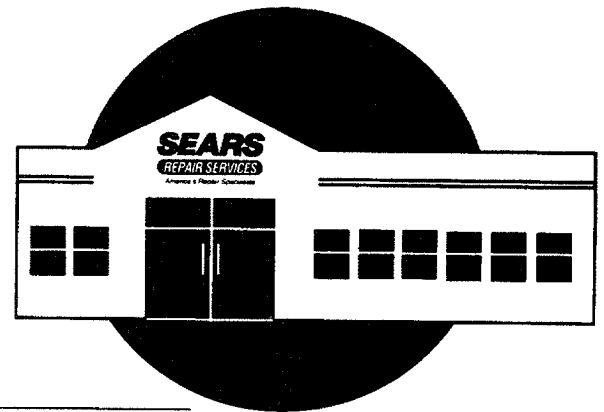
(1-800-473-7247)



**For the location of a
Sears Parts and Repair Center in your area**

Call 24 hours a day, 7 days a week

1-800-488-1222



**For information on purchasing a Sears
Maintenance Agreement or to inquire
about an existing Agreement**

call 9 am - 5 pm, Monday-Saturday

1-800-827-6655



SEARS

REPAIR SERVICES

America's Repair Specialists

Manual del Propietario

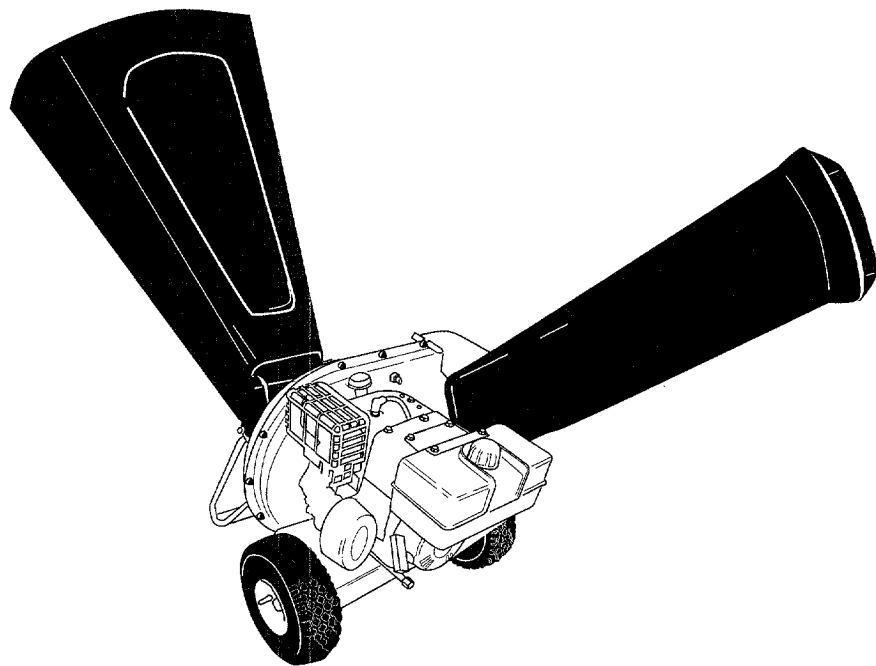
CRAFTSMAN

8.0 HP

Capacidad de astillado de 3" de diámetro

ASTILLADORA-DESMENUZADORA

Modelo No.
247.775860



PRECAUCION:

Antes de operar
este equipo
lea y observe
todas las reglas
e instrucciones
de seguridad

Sears, Roebuck and Co., Hoffman Estates, IL 60179, U.S.A.

TABLA DE CONTENIDO

Contenido	Página	Contenido	Página
Información de garantía	2	Mantenimiento	11
Prácticas seguras de operación	3	Servicio y Ajuste	14
Ensamblado	5	Almacenamiento fuera de temporada	17
Operación	8		

INFORMACION DE GARANTIA

Garantía de un año para la astilladora-desmenuzadora Craftsman

Por un año desde la fecha de compra cuando esta astilladora-desmenuzadora Craftsman sea mantenida, lubricada y puesta a punto de acuerdo con las instrucciones de operación y mantenimiento en el manual del operario, Sears reparará libre de costo cualquier defecto de material o de mano de obra.

Esta garantía excluye las cuchillas, cuchillas de la astilladora, desgranadoras, filtros, bujías, bolsas colectoras y neumáticos, las cuales son partes desechables que se desgastan durante el uso normal.

Esta garantía se aplica por 30 días solamente a partir de la fecha de compra, si la astilladora-desmenuzadora se usa para fines comerciales o de alquiler.

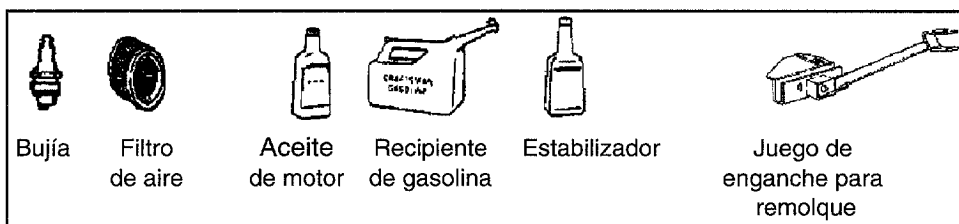
EL SERVICIO DE GARANTIA ESTA DISPONIBLE EN CENTRO DE SERVICIO DE SEARS MAS CERCANO EN LOS ESTADOS UNIDOS. ESTA GARANTIA SE APLICA MIENTRAS EL PRODUCTO ESTE EN USO EN LOS ESTADOS UNIDOS.

Esta garantía le otorga derechos legales específicos y usted puede también tener otros derechos que varían de Estado a Estado.

SEARS, ROEBUCK AND CO. DEPT. D817WA, HOFFMAN STATES, IL 60179

ACCESORIOS

Estos accesorios estaban disponibles cuando la astilladora-desmenuzadora se compró originalmente. Están también disponibles en la mayoría de las tiendas minoristas y centros de catálogo y servicio de Sears. La mayoría de las tiendas de repuesto para usted con el número de modelo de su astilladora-desmenuzadora.



PRODUCTO	ESPECIFICACION
CABALLOS DE FUERZA:	8 H.P.
CAPACIDAD DEL CARTER:	26 oz. ACEITE DE MOTOR SAE 30
CAPACIDAD DEL TANQUE DE COMBUSTIBLE:	4 CUARTOS (LIBRE DE PLOMO)
RESISTENCIA-BUJIA:	(N4C)
SEPARACION	.030
PRESION DEL NEUMATICO	24 PSI

Número de modelo _____

Número de serie _____

Fecha de compra _____

Anote el número de serie y la fecha de compra y mantenga en un lugar seguro para referencia futura.

PRACTICAS SEGURAS DE OPERACION



Este símbolo indica instrucciones importantes de seguridad las cuales, si no se observan, pueden poner en peligro la seguridad personal y/o la propiedad suya y de otras personas. Lea y observe todas las instrucciones de este manual antes de intentar operar su astilladora-desmenuzadora a gasolina. La falla en cumplir con estas instrucciones puede resultar en lesiones personales -- **obedezca la advertencia.**



PELIGRO:

Su astilladora-desmenuzadora fue fabricada para operarse **de acuerdo con las reglas para una operación segura en este manual.** Al igual que con cualquier tipo de equipo motorizado, la falta de cuidado o error de parte del operador puede resultar en lesiones graves. **Si usted viola estas reglas, puede causar lesiones graves a usted mismo y a otras personas.**



ADVERTENCIA: El escape del motor de este producto contiene sustancias químicas conocidas por el Estado de California como causantes de cáncer, defectos de nacimiento u otras lesiones reproductivas.

1. OPERACION GENERAL

- Lea cuidadosamente esta guía del propietario en su totalidad antes de intentar armar esta máquina. Lea, comprenda y observe todas las instrucciones en la máquina y en el manual(es) antes de la operación. Guarde este manual en un lugar seguro para referencia futura y regular y para ordenar piezas de repuesto.
- Su astilladora-desmenuzadora es una herramienta poderosa y no un juguete. Por consiguiente sea extremadamente precavido en todo momento. Su unidad ha sido diseñada para desempeñar dos tareas; astillar y desmenuzar la vegetación hallada en un patio normal. No la use para ningún otro fin.
- Nunca permita que niños menores de 16 años operen la unidad. Los niños de 16 años de edad y mayores deben operar solamente bajo una supervisión paterna estrecha. Debe permitirse operar la unidad a individuos responsables que estén familiarizados con estas reglas de operación segura, solamente.
- Mantenga el área de operación despejada de todas las personas, particularmente niños pequeños y animales domésticos. Apague el motor cuando están cerca de la unidad. Mantenga el área de trabajo limpia y despejada de ramas u obstáculos que podrían causar que se tropiece o caiga.
- Al alimentar material a este equipo, sea extremadamente cuidadoso que no se incluyan piezas de metal, rocas, botellas, latas u otros objetos extraños. Podrían resultar lesiones personales o daños a la máquina.
- Use siempre lentes de seguridad o antiparras de seguridad, durante la operación y al efectuar ajustes o reparaciones, para proteger los ojos contra objetos extraños que pueden ser despedidos por la máquina.
- Use zapatos de trabajo resistentes, de suela áspera y pantalones y camisa ajustadas. Se recomiendan camisas y pantalones que cubran los brazos y las piernas y zapatos de puntera de acero. No use ropas holgadas ni joyas y sujete el cabello para que esté por encima de los hombros. Pueden quedar atrapadas en las piezas móviles. Nunca opere una unidad con los pies descalzos, sandalias o zapatillas. Al alimentar material en la canaleta de la astilladora o en la tolva de la desmenuzadora, use guantes.
- Mientras esté funcionando el motor, nunca coloque sus manos, pies o cualquier parte de su cuerpo dentro de la tolva de la desmenuzadora, canaleta de la astilladora, abertura de descarga ni cerca de cualquier pieza giratoria. Manténgase alejado en todo momento de la abertura de descarga. Use un palo de diámetro pequeño y **NO SUS MANOS**, si fuera necesario empujar el material dentro de la canaleta de la astilladora o tolva de la desmenuzadora.
- Si por alguna razón es necesario destapar la toma de alimentación o de la abertura de descarga o inspeccionar o reparar cualquier parte de la máquina donde una pieza móvil puede entrar en contacto con su cuerpo o ropa, apague la máquina, permita que se enfríe, desconecte el cable de la bujía de la bujía y aléjelo de la bujía antes de intentar destapar, inspeccionar o reparar.
- No opere la unidad mientras está bajo la influencia del alcohol o las drogas.
- La máquina debe operarse sobre una superficie nivelada solamente. Nunca opere su unidad sobre una superficie resbalosa, mojada, embarrada o helada. Mantenga su área de trabajo limpia y libre de ramas u obstáculos que pueden causar que usted se tropiece y caiga. No se incline demasiado. El mantenerse firmemente parado y en equilibrio es esencial para prevenir accidentes.
- No permita que se acumule material procesado en el área de descarga ya que esto prevendrá una descarga adecuada y puede resultar en un contragolpe de la canaleta de la astilladora.
- Mantenga su rostro y cuerpo detrás de la canaleta de la astilladora para evitar un rebote accidental del material.
- No transporte la máquina mientras el motor está funcionando.
- Si el mecanismo de corte golpea un objeto extraño o si su máquina comienza a emitir un ruido o vibración no común, apague inmediatamente el motor, desconecte el cable de la bujía y mueva el cable alejado de la bujía. Permita que la máquina se detenga y efectúe los pasos siguientes.
- Inspeccione por daños.
- Repare o reemplace las piezas dañadas.
- Inspeccione por piezas flojas y ajuste para asegurar una operación segura continuada.

- Nunca trate de retirar ni vaciar la bolsa colectora cuando el motor está funcionando. Apague el motor y espere hasta que la hélice se detenga completamente. La hélice continúa girando durante unos segundos después de apagar el motor. Nunca coloque ninguna parte de su cuerpo en el área de la hélice hasta que esté seguro que la hélice ha detenido su giro.
- El silenciador y el motor se calientan y pueden causar quemaduras. No los toque.
- No permita que hojas u otros desechos se acumulen sobre el silenciador del motor. Los desechos podrían encenderse y causar un incendio.
- Nunca trate de desmenuzar o astillar material más grande que el especificado en este manual. Puede resultar en lesiones personales o daños a la máquina.
- No opere la máquina sin el filtro o cubierta sobre la toma de aire del carburador, excepto para ajustar. La extracción de tales partes puede crear un riesgo de incendio.
- Use sólo los accesorios aprobados para esta máquina por el fabricante. Lea, entienda y observe todas las instrucciones provistas con el accesorio aprobado.
- Si ocurren situaciones que no están cubiertas por este manual, use con cuidado y buen juicio. Para asistencia consulte con su distribuidor.
- Mantenga el deflector de la canaleta de descarga, la puerta de la canaleta de la astilladora y todas las otras guardas y mecanismos de seguridad en su lugar y funcionando correctamente.
- Opere la unidad a la luz del día solamente. No opere la unidad de noche o en áreas oscuras donde su visión pueda estar restringida.

2. NIÑOS

Pueden ocurrir accidentes trágicos si el operador no está alerta a la presencia de niños pequeños. Los niños se sienten atraídos a menudo a la astilladora-desmenuzadora y a la actividad de astillado y desmenuzado. Nunca suponga que los niños permanecerán donde usted los vio por última vez.

- Mantenga a los niños fuera del área de trabajo y bajo la mirada vigilante de un adulto responsable que no sea el operador.
- Esté alerta y apague la unidad si un niño entra al área.
- Nunca permita que niños menores de 16 años de edad operen la astilladora-desmenuzadora.

3. SERVICIO

Sea muy precavido al usar gasolina y otros combustibles. Son extremadamente inflamables y los vapores son explosivos.

- Almacene el combustible y aceite en recipientes aprobados, alejados del calor y de las llamas expuestas, fuera del alcance de los niños. Inspeccione y agregue combustible antes de arrancar el motor. Nunca retire la tapa de gasolina ni vierta combustible mientras el motor está funcionando. Permita que el motor se enfríe por dos minutos por lo menos antes de cargar combustible.



Esta unidad está equipada con un motor de combustión interna y no debe usarse en o cerca de tierras no mejoradas cubiertas de bosques, matorrales, y/o hierbas, a menos que el sistema de escape esté equipado con un supresor de chispas que cumpla con las leyes del estado o federales aplicables (de existir). Si se usa un supresor de chispas debe ser mantenido en buenas condiciones de trabajo por el operador.

En el Estado de California lo indicado arriba es requerido por ley (Sección 4442 del Código de Recursos Públicos de California). Otros Estados pueden tener leyes similares. Las leyes federales se aplican en las tierras federales. Está disponible un supresor de chispas para el silenciador en su Centro de Servicio Autorizado Sears más cercano (Vea la sección de PIEZAS DE REPUESTO de este manual).

- Vuelva a colocar la tapa de gasolina y limpie la gasolina derramada antes de arrancar el motor, ya que puede causar un incendio o explosión.
 - Apague todos los cigarrillos, cigarros, pipas y otras fuentes de encendido.
 - Nunca cargue combustible a la unidad bajo techo ya que los vapores inflamables se acumularán en el área.
 - Nunca almacene la máquina ni el recipiente de combustible bajo techo donde haya llamas expuestas o chispas, tales como calentadores de agua caliente a gas,, secadora de ropas u hornos.
- Nunca haga funcionar su máquina en un área cerrada ya que el escape del motor contiene monóxido de carbono, que es un gas inodoro, insípido y envenenador mortal.
 - Para reducir el riesgo de incendio, mantenga el motor y el silenciador libre de hojas, grama, y otras acumulaciones de desechos. Limpie los derrames de combustible y aceite. Permita que la unidad se enfríe por 5 minutos por lo menos antes de arrancar.
 - Asegúrese que la hélice y todas las piezas móviles estén detenidas, antes de limpiar, reparar o inspeccionar. Desconecte el cable de la bujía y manténgalo alejado de la bujía para prevenir el arranque accidental. No use soluciones inflamables para limpiar el filtro de aire.
 - Inspeccione la cuchilla y los tornillos de montaje del motor a intervalos frecuentes, por un buen ajuste. También inspeccione visualmente las cuchillas por desgaste y/o daños (por ej. doblada, agrietada). Reemplace con cuchillas que cumplan con las especificaciones originales del equipo.
 - Mantenga todas las tuercas, pernos y tornillos bien ajustados para asegurarse que el equipo esté en buenas condiciones de trabajo.
 - Nunca manipule los mecanismos de seguridad. Inspeccione regularmente su operación apropiada.
 - Después de golpear un objeto extraño, apague inmediatamente el motor, desconecte el cable de la bujía de la bujía, e inspeccione completamente la unidad por daños. Repare el daño antes de arrancar y operar la unidad.
 - No altere ni manipule la graduación del regulador del motor. El regulador controla la velocidad operativa máxima del motor. Es peligroso hacer funcionar el motor a una velocidad excesiva y causará daños al motor y a otras piezas móviles de las máquinas.

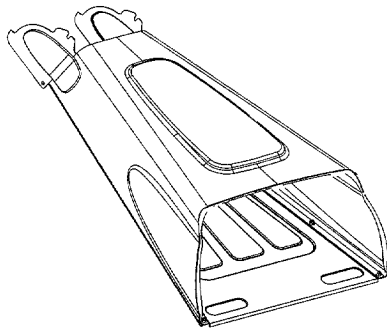
4. SU RESPONSABILIDAD



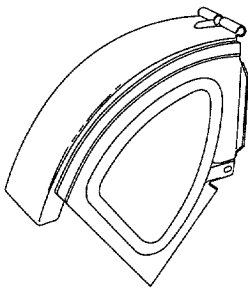
Restrinja el uso de esta máquina motorizada a las personas que lean, comprendan y observen las advertencias e instrucciones en este manual y en la máquina.

**GUARDE ESTAS INSTRUCCIONES
PARA REFERENCIA FUTURA**

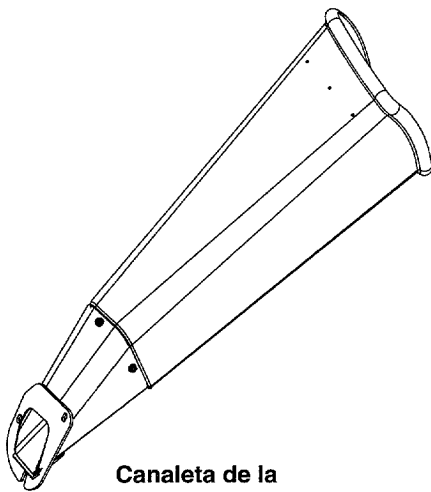
ENSAMBLADO



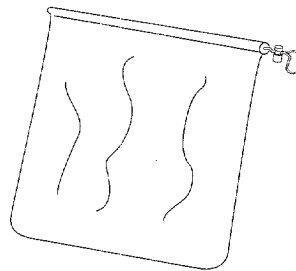
Tolva



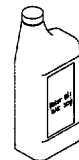
Canaleta de descarga



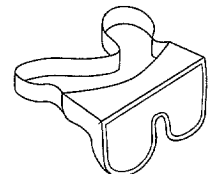
Canaleta de la
astilladora



Bolsa colectora



Botella de
aceite



Gafas de
seguridad

IMPORTANTE: Esta unidad se despacha **sin gasolina ni aceite** en el motor. Vea la sección de OPERACION de este manual para las recomendaciones sobre combustible y aceite de motor adecuados, después del ensamblado.

NOTA: Para determinar los lados izquierdo y derecho de su astilladora-desmenuzadora, párese detrás de la unidad con el motor en posición más alejado de usted.

Su astilladora-desmenuzadora ha sido completamente ensamblada de fábrica excepto por el conjunto de la tolva, canaleta de la astilladora, canaleta de descarga y la bolsa colectora.

Estas piezas se despachan sueltas en la caja. Se incluyen también en la caja un par de gafas de seguridad y una botella de aceite.

1. EXTRAIGA LA ASTILLADORA-DESMENUZADORA DE LA CAJA

- Corte las esquinas de la caja.
- Extraiga todas las inserciones de empaque.
- Extraiga todas las piezas sueltas incluyendo el manual del propietario. Vea la figura 1.
- Ruede la astilladora-desmenuzadora fuera de la caja.
- Antes de desechar la caja, asegúrese que todas las piezas y la literatura hayan sido retiradas de la misma.

2. PIEZAS SUELTAS

- a. Conjunto de la tolva
- b. Canaleta de descarga
- c. Canaleta de la astilladora
- d. Bolsa colectora
- e. Botella de aceite
- f. Gafas de seguridad
- g. Manual del Propietario (no se muestra en la figura 1)

Figura 1

3. HERRAMIENTAS REQUERIDAS

1. Llaves de 1/2" o ajustables
2. Llaves de 7/16" o ajustables
3. Embudo

4. DESCONEXION DE LA BUJÍA

- Desconecte el cable de la bujía y muévelo alejado de la bujía antes de ensamblar la astilladora-desmenuzadora. Vea la figura 2.

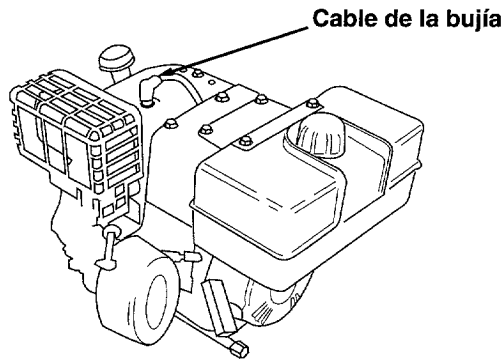


Figura 2

5. FIJACION DE LA CANALETA DE DESCARGA

- Extraiga las perillas mariposa de cada lado de la abertura de descarga de la astilladora-desmenuzadora. Vea la figura 3.
- Usando dos llaves de 7/16", extraiga la contratuerca hexagonal, los dos separadores y el perno hexagonal del conjunto del armazón. Para facilitar el ensamblado, no extraiga el segundo separador del perno hexagonal.
- Coloque en posición la canaleta de descarga en la abertura de descarga. Inserte el perno hexagonal y el separador a través de la bisagra en la canaleta de descarga y en el armazón (el separador calza dentro de la bisagra). Vea el recuadro de la figura 3.

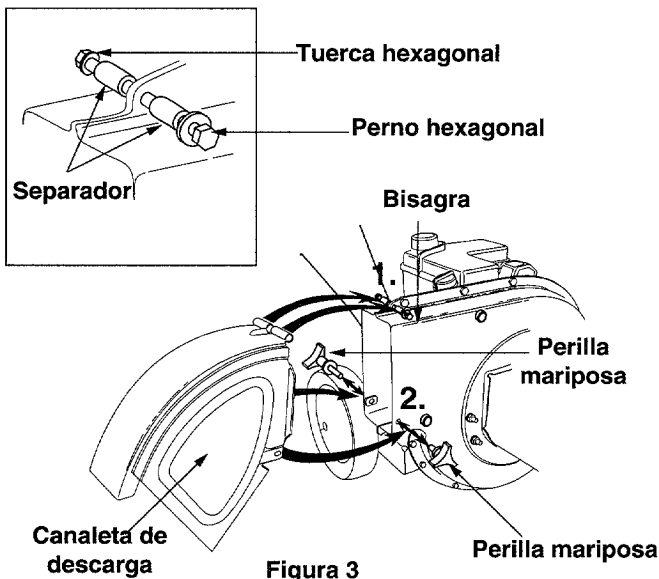
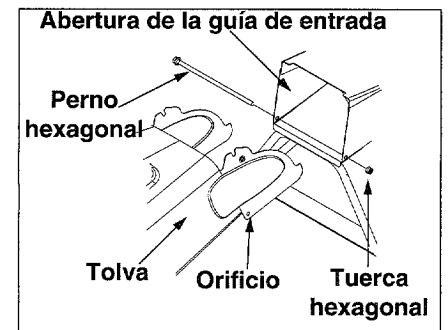


Figura 3

- Coloque la segunda arandela sobre el perno hexagonal dentro de la otra mitad de la bisagra. Asegure con una contratuerca hexagonal. Ajuste seguramente.
- Asegure ambos lados de la canaleta de descarga al armazón usando las perillas que extrajo antes. Ajuste las perillas mariposa.

6. FIJACION DEL CONJUNTO DE LA TOLVA

- Extraiga el perno hexagonal largo de 8-3/8" y la tuerca hexagonal del fondo de la abertura de la guía de entrada.
- Coloque el conjunto de la tolva en el suelo y sujételo en la posición ilustrada en el paso 1 de la figura 4.
- Mientras sujeta la tolva, empuje la puerta pivote de la tolva hacia adentro de esta última. Vea la figura 4.
- Deslice el conjunto de la tolva hacia el armazón de la astilladora-desmenuzadora de manera que la guía superior del conjunto de la tolva se deslice **debajo** de la arandela de tope a cada lado de la guía de entrada. Vea la figura 4.
- Alinee los dos orificios (uno en cada lado) de la tolva inferior con los dos orificios (uno en cada lado) de la guía de entrada.
- Inserte el perno hexagonal (que usted extrajo antes) desde la izquierda a través del orificio de la tolva y de la guía de entrada. Inserte la tuerca hexagonal sobre el perno desde el otro lado. Vea el recuadro de la figura 4.



Puerta pivote de la tolva

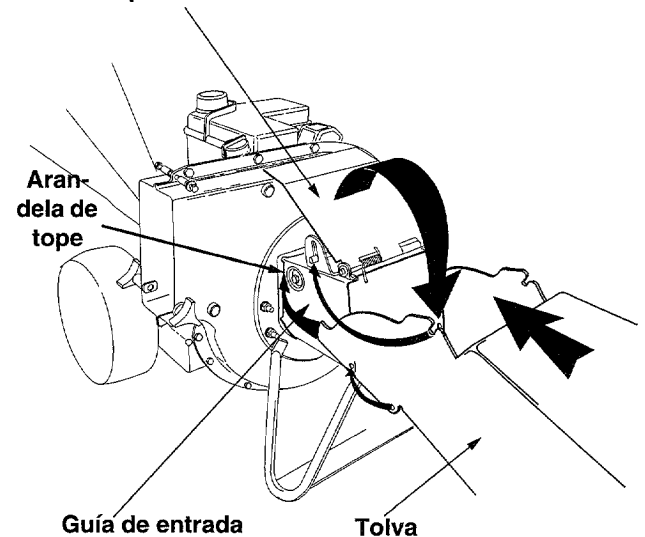


Figura 4

- Ajuste el perno. Esto asegurará el conjunto de la tolva a la guía de entrada.
- Para elevar la tolva, sujétela por el mango y levántela hasta que calce en posición. Vea la figura 5.
- Para bajar la tolva, sujétela por el mango y tire de la barra de desenganche. La tolva debería descender. Vea la figura 5.

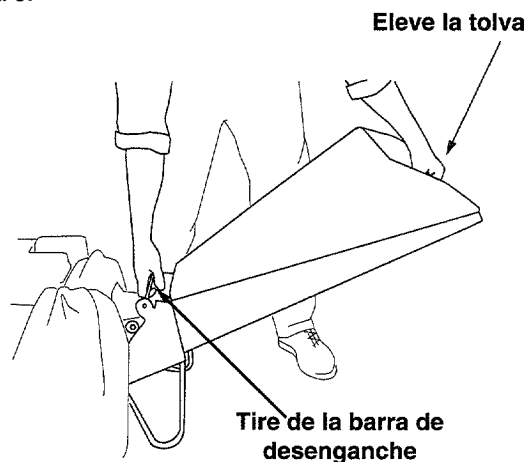


Figura 5

7. FIJACION DE LA CANALETA DE LA ASTILLADORA

- Extraiga las tres arandelas acopadas y las tuercas hexagonales de los pernos soldados al lado de la abertura del lado izquierdo del armazón. Vea la figura 6.

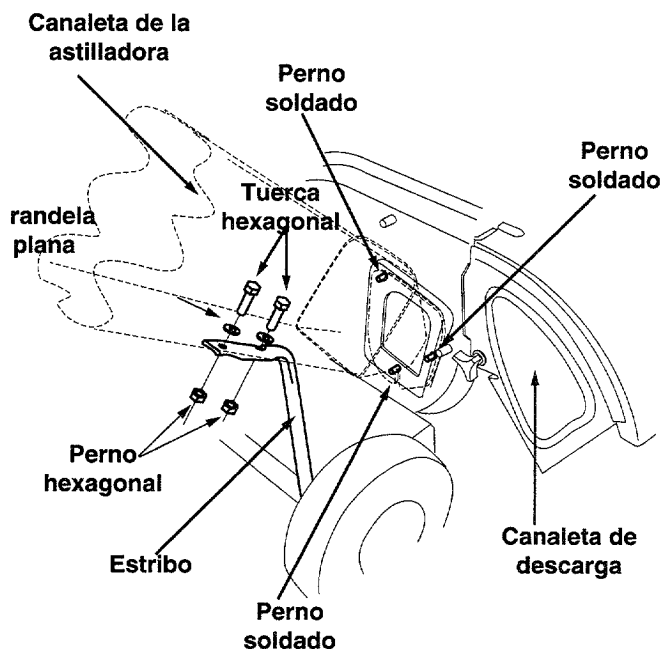


Figura 6

- Extraiga los dos juegos de pernos hexagonales, tuerca de seguridad y arandela plana, de los dos orificios en el extremo superior del estribo.
- Coloque la canaleta de la astilladora sobre los pernos soldados de manera que la ranura en la canaleta esté orientada hacia el fondo. Alinee los tres orificios en la canaleta con los tres pernos soldados. Vea la figura 6.
- Asegure con tres pares de arandelas acopadas y tuercas hexagonales que usted extrajo antes. No ajuste las tuercas en este momento. Asegúrese de colocar el lado acopado de la arandela contra la canaleta de la astilladora.
- Su unidad se despacha con uno de los extremos del estribo ya asegurado al armazón inferior. Afloje los pernos que aseguran el estribo al armazón.
- Alinee los orificios en la canaleta con los orificios en el estribo. Vea la figura 6.
- Inserte uno de cada uno de los pernos hexagonales, tuercas de seguridad y arandelas planas (que extrajo antes) a través de cada orificio en la canaleta y el estribo. Vea la figura 6 para el orden correcto. Ajuste los pernos.
- Ajuste los pernos que aseguran el estribo al armazón.
- Ajuste las tres tuercas en los pernos soldados.

8. FIJACION DE LA BOLSA COLECTORA

Su astilladora-desmenuzadora está equipada con una bolsa colectora para coleccionar el material desmenuzado.

- Para colocar la bolsa, coloque la abertura de la misma sobre el deflector de la canaleta de manera que cubra completamente el deflector de la canaleta.
- Accione el brazo móvil sobre la soga de arrastre y tire de esta última hasta que la bolsa esté ajustada alrededor de la abertura de la canaleta. Suelte el brazo móvil hasta que calce en posición. Vea la figura 7.

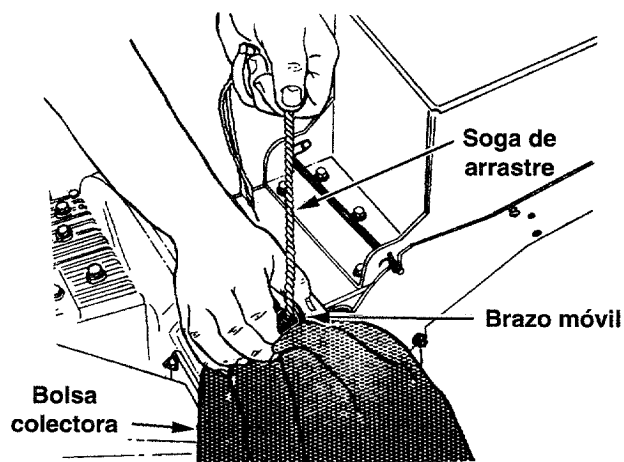


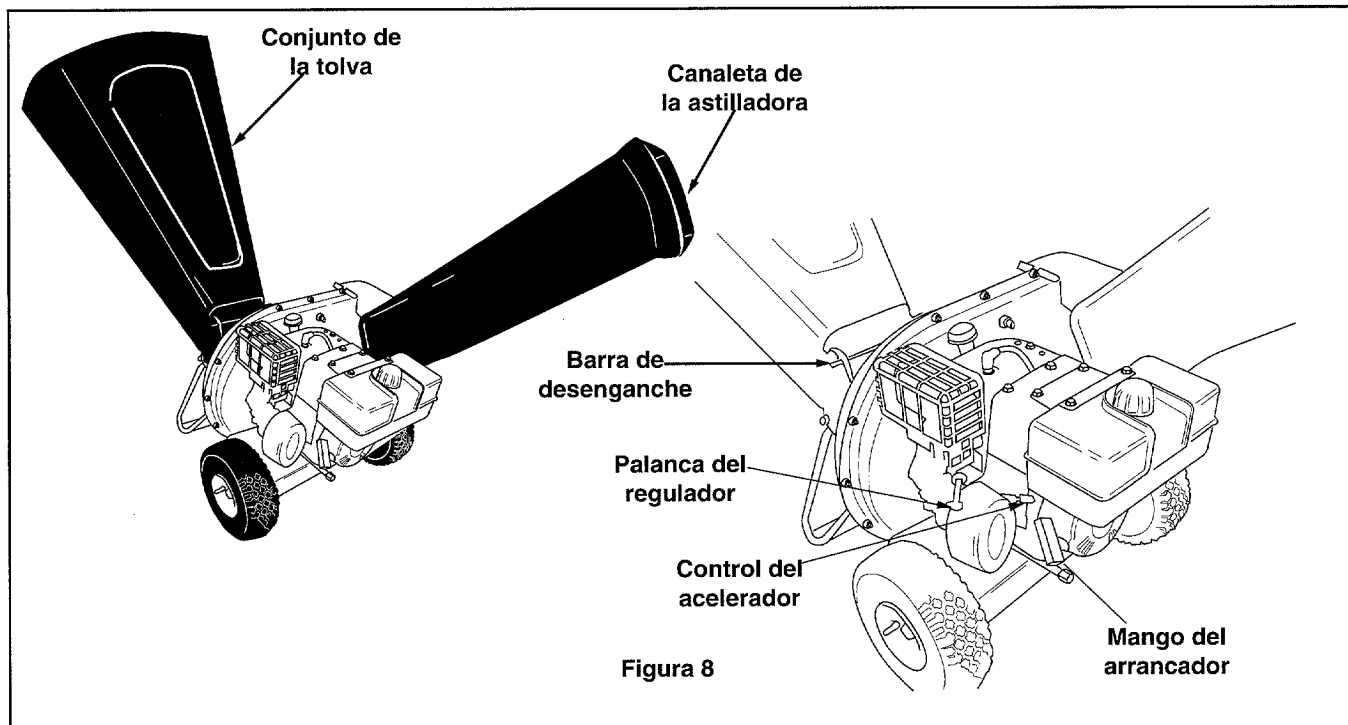
Figura 7

OPERACION

Antes de operar su astilladora-desmenuzadora lea este manual del propietario y las reglas de seguridad. Compare las ilustraciones con su astilladora-desmenuzadora para familiarizarse con la ubicación de los varios controles y ajustes. Guarde este manual para referencia futura.

La operación de una astilladora-desmenuzadora puede resultar en que objetos extraños sean despedidos contra los ojos, lo que puede lesionarlos gravemente. Antes de astillar o desmenuzar, o mientras efectúe ajustes o reparaciones, **use siempre las antiparras de seguridad** provistas con esta unidad o protectores de los ojos.

1. CONOZCA SU ASTILLADORA-DESMENUZADORA



2. CONTROLES DE OPERACION

Barra de desenganche

Usada para desenganchar la tolva al elevar o bajar. Vea la figura 8.

Palanca del regulador

Usada para enriquecer la mezcla de combustible en el carburador al arrancar un motor frío. Vea la figura 8.

Mango del arrancador

Usado para arrancar manualmente el motor. Vea la figura 8.

Conjunto de la tolva

Permite alimentar hojas y ramas pequeñas de hasta 1" de diámetro a la hélice para astillar y desmenuzar. Haga descender la tolva para coleccionar material rastrillado para desmenuzar.

Control del acelerador

Regula la velocidad del motor. Vea la figura 8.

Canaleta de la astilladora

Permite alimentar vegetación voluminosa tal como tallos o ramas pesadas de hasta 3" de diámetro a la hélice para astillar y desmenuzar. Vea la figura 8.

Bolsa coleccionadora (no se muestra)

Usada para coleccionar el material desmenuzado.

CUMPLE CON LAS NORMAS DE SEGURIDAD DE ANSI

Las astilladoras-desmenuzadoras de Sears conforman con la norma de seguridad B71.6-1990 del Instituto Americano de Normas Nacionales

Detención del motor

Mueva la palanca de control del acelerador a la posición STOP. Desconecte el cable de la bujía y aléjelo de la bujía para prevenir un arranque accidental.

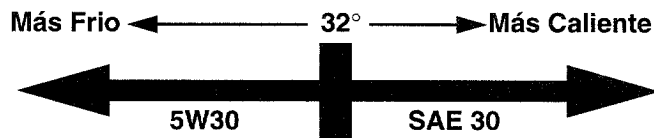


ADVERTENCIA: Refiérase nuevamente a las reglas de seguridad en las páginas 3 y 4 de este manual, antes de usar esta astilladora-desmenuzadora. Tenga siempre cuidado.

3. LLENADO DE GASOLINA Y ACEITE

Aceite (Envasado con la unidad)

- Use aceite detergente de alta calidad solamente clasificado según la clasificación API de SF, SG o SH. Seleccione el grado de viscosidad del aceite de acuerdo con su temperatura esperada de operación. Siga la tabla de abajo.



NOTA: A pesar que los aceites de viscosidad múltiple (5W30, 10W30, etc.) mejoran el arranque en tiempo frío, los mismos resultarán en un consumo mayor de combustible cuando se usan sobre los 32°F. Inspeccione su nivel de aceite más frecuentemente para evitar daños posibles al motor al funcionar con poco aceite.

Llene el motor con aceite como sigue.

- Extraiga la varilla. Vea la figura 9.

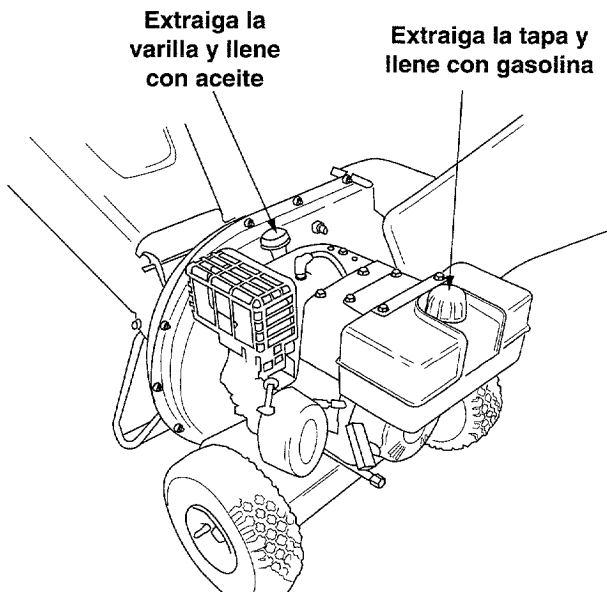


Figura 9

- Con la astilladora-desmenuzadora sobre una superficie nivelada, use un embudo para llenar el motor con aceite hasta la marca FULL. La capacidad es de 26 oz. aproximadamente. Tenga cuidado en no llenar en exceso.
- Inspeccione el nivel de aceite.
- Agregue aceite si fuera necesario.
- Vuelva a colocar la varilla y ajuste.

NOTA: No llene en exceso. La botella de aceite envasada con la unidad contiene 26 oz. de aceite.

Gasolina

ADVERTENCIA: La experiencia indica que los combustibles mezclados con alcohol (llamados gasohol o el uso de etanol o metanol) pueden atraer la humedad, lo que conduce a la separación y formación de ácido durante el almacenamiento. El gas ácido puede dañar el sistema de combustible del motor mientras permanezca almacenado. Para evitar problemas con el motor, el sistema de combustible **debe vaciarse antes de almacenar** durante 30 días o más. Drene el tanque de combustible, arranque el motor y permita que funcione hasta que las tuberías de combustible y el carburador estén vacíos. Use combustible fresco la próxima temporada. Para información adicional vea las instrucciones de **ALMACENAMIENTO**. **Nunca use** productos limpiadores de motor o carburador en el tanque de combustible ya que pueden ocurrir daños permanentes.

Llene el tanque de gasolina con gasolina como sigue.

- Extraiga la tapa del tanque de gasolina.
- Asegúrese que el recipiente (del cual verterá la gasolina) esté limpio y libre de óxido o partículas extrañas. Nunca use gasolina que pueda estar rancia después de períodos prolongados de almacenamiento en el recipiente.
- Llene el tanque de combustible con gasolina fresca y libre de plomo, para automotores. NO use etilo ni gasolina de alto índice de octano. Vea la figura 9.
- Vuelva a colocar la tapa del tanque de combustible.



ADVERTENCIA: No llene hasta sobrepasar 1/2 pulgada del tope del tanque de combustible para prevenir derrames y permitir la expansión de la gasolina. Si la gasolina se derrama accidentalmente, mueva la astilladora-desmenuzadora alejada del área del derrame. Evite crear fuentes de encendido hasta que hayan desaparecido los vapores de la gasolina.

- Para evitar que se agote la gasolina mientras está operando la astilladora-desmenuzadora, inspeccione periódicamente el nivel de combustible.
- Puede ser necesario destapar la unidad antes de poderla arrancar, si se agota la gasolina mientras está desmenuzando o astillando. Refiérase a "Retiro del tamiz de la desgranadora" en la sección de SERVICIO Y AJUSTES.

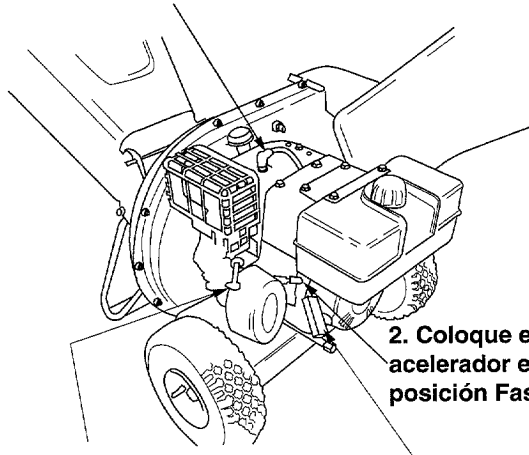
4. ARRANQUE DEL MOTOR



ADVERTENCIA: Asegúrese que **ninguna persona además del operador** esté parada cerca de la astilladora-desmenzadora al arrancar u operar. **No opere** esta astilladora-desmenzadora a menos que el deflector de la canaleta haya sido correctamente instalado y esté asegurado con las perillas manuales.

NOTA: Coloque su pie firmemente contra el neumático, para prevenir que la unidad resbale.

1. Fije el cable de la bujía.



3. Mueva el regulador a la posición "on"

4. Tire de la sogá

Figura 11

- Fije el cable de la bujía y la bota de goma a la bujía.
- Mueva el interruptor del arrancador a la posición "ON".
- Mueva la palanca del regulador a la posición CHOKE (en la dirección de la flecha).
- Si está arrancando nuevamente un motor caliente **después de un intervalo corto**, mueva la palanca del regulador a la posición "No choke".
- Sujete el mango del arrancador y tire lentamente de la sogá hasta que el motor llegue al inicio del ciclo de compresión (la sogá ofrecerá un poco de más resistencia en este punto. Deje que la sogá se enrolle lentamente.
- Tire de la sogá con una pasada rápida, usando todo el brazo. Permita que la sogá retorne lentamente al arrancador.
- Cuando el motor arranca, mueva la palanca del regulador a la posición intermedia del regulador hasta que el motor funcione con suavidad y a continuación a la posición No Choke.
- Si el motor **no arranca después** de tres tirones, mueva la palanca del regulador a la posición No Choke y tire nuevamente de la sogá del arrancador.
- Si el motor detona pero **no continúa funcionando**, mueva la palanca del regulador a la posición de Full Choke y tire nuevamente de la sogá.
- Mueva la palanca del regulador a la posición OFF a medida que se calienta el motor.

NOTA: Al comienzo del ciclo de compresión se escuchará un ruido. Este ruido está causado por las desgranadoras y dedos que forman parte del mecanismo desmenzador calzando en su lugar, y debe esperarse. Además, las desgranadoras y dedos harán ruido después de arrancarse el motor, hasta que la hélice alcance máxima velocidad.

5. DETENCION DEL MOTOR

- Mueva la palanca de control del regulador a la posición STOP (HACIA ABAJO).
- Desconecte el CABLE de la bujía y aléjese de la bujía para prevenir el arranque accidental mientras el equipo está desatendido.

6. USO DE SU ASTILLADORA-DESMENUZADORA



ADVERTENCIA: No intente desmenzar o astillar ningún material que no sea vegetación hallada en un patio normal (por ej. ramas, hojas, ramitas, etc.).

- La astilladora-desmenzadora está diseñada para tres métodos diferentes de operación.
 - a. Pueden alimentarse hojas y ramas pequeñas de hasta 1" de diámetro (máximo) al conjunto de la tolva cuando esta está en la posición elevada o bajada. Vea la figura 12.
 - b. Materiales voluminosos tales como tallos o ramas pesadas de hasta 3" de diámetro deben alimentarse a la canaleta de la astilladora. Vea la figura 12.



ADVERTENCIA: No coloque material más grande que el especificado dentro de la tolva y/o dentro de la canaleta de la astilladora. Puede resultar en lesiones personales o daños a la máquina.

- Si fuera necesario empujar el material dentro de la astilladora-desmenzadora, use un palo de diámetro pequeño y NO SUS MANOS. El palo debe ser suficientemente pequeño como para molerse si penetra al conjunto de la hélice.

7. DESCENSO DEL CONJUNTO DE LA TOLVA

- Para bajar el conjunto de la tolva, use una mano para sujetar el mango en el tope del conjunto de la tolva y levántelo ligeramente. Vea la figura 5.
- Tire hacia arriba de la barra de desenganche y baje el conjunto de la tolva al suelo. Suelte la barra. Vea la figura 5.



ADVERTENCIA: Nunca extraiga el deflector de la canaleta hasta que la unidad se haya detenido completamente.

Es importante mantener afiladas la cuchilla desmenzadora y las cuchillas astilladoras. Si cambia la composición del material de descarga (se convierte en fibroso, etc.) o si disminuye considerablemente la velocidad a la cual se

descarga el material, es posible que la cuchilla desmenuzadora y/o las cuchillas astilladoras estén desafiladas y requieran afilarse o reemplazarse. Refiérase a la sección de Servicio y Ajustes.

IMPORTANTE: Hay un tamiz de desgranadora ubicado dentro del armazón en el área de descarga. Extraiga y limpie según las instrucciones de la sección de Servicio y Ajustes.



ADVERTENCIA: La astilladora-desmenuzadora descarga materiales con considerable velocidad. **Manténgase alejado** del área alrededor de la canaleta de descarga. Al extraer o fijar la bolsa, cambiar bolsas o extraer el material desmenuzado, **detenga siempre el motor** y desconecte el cable de la bujía. Use gafas de seguridad y guantes siempre que use su astilladora-desmenuzadora.

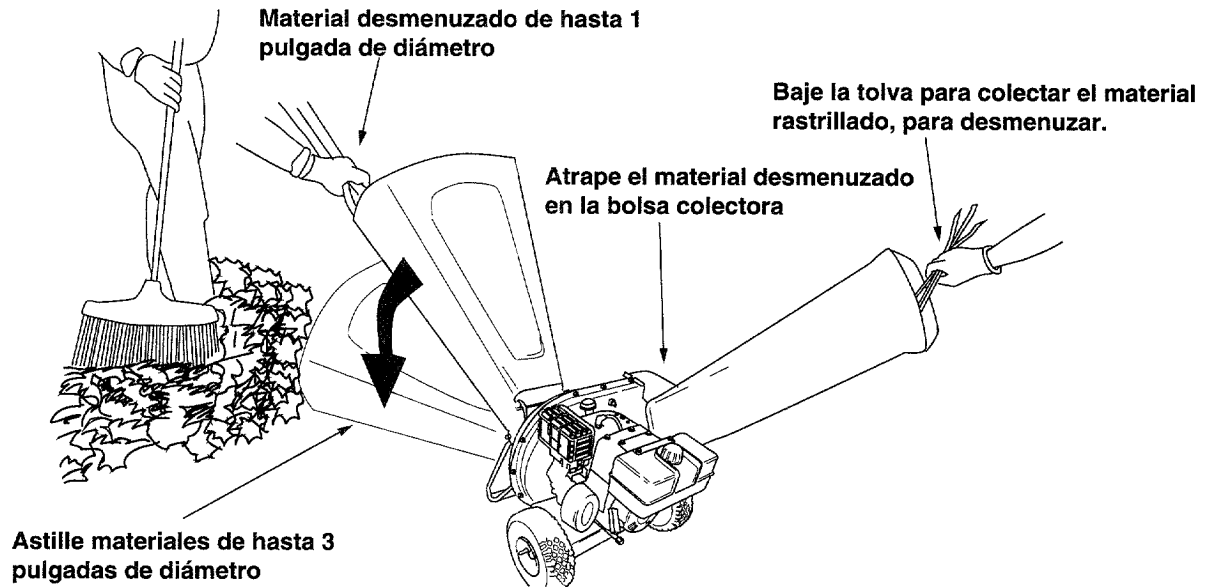


Figura 12

MANTENIMIENTO

1. RECOMENDACIONES GENERALES

- Al efectuar el mantenimiento, observe siempre las reglas de seguridad.
- La garantía de esta astilladora-desmenuzadora no cubre artículos que han sido sometidos a abuso del operador o negligencia. Para recibir todo el valor de la garantía, el operador debe mantener la astilladora-desmenuzadora según se instruye en este manual.
- Para mantener adecuadamente su unidad, se deben efectuar algunos ajustes periódicos.
- Todos los ajustes en la sección de Servicio y Ajustes de este manual deben efectuarse una vez por temporada por lo menos.
- Siga el programa de mantenimiento proporcionado abajo.
- Inspeccione periódicamente todos los sujetadores y asegúrese que estén firmes.



ADVERTENCIA: Antes de efectuar mantenimiento o ajustes, siempre detenga el motor y **desconecte** el cable de la bujía. **Nunca extraiga la canaleta de descarga** hasta que el motor se haya detenido completamente.

RESPONSABILIDADES DEL CLIENTE

MANTENIMIENTO		FECHAS DE SERVICIO						FECHAS DE SERVICIO						
		Antes de usar	Después de usar	Después de las primeras 5 horas	Cada 25 horas	Cada 50 horas	Antes de almacenar							
PRODUCTO	Aceitar los puntos de pivote						√							
	Limpiar la desmenuzadora		√				√							
MOTOR	Inspeccionar el aceite del motor	√												
	Cambiar el aceite del motor			√	√									
	Limpiar el filtro de aire				√									
	Limpiar el motor				√		√							
	Reajustar la bujía				√		√							
	Limpiar el silenciador					√								

√ INSPECCIONAR

2. LIMPIEZA

- Limpie la astilladora-desmenuzadora con agua corriente de una manguera, sobre el conjunto de la tolva y la tolva de la astilladora, con el motor funcionando. Permita que la astilladora-desmenuzadora se seque completamente.
- Lave periódicamente la bolsa con agua. Permita que se seque bien a la sombra. No use calor.

3. MANTENIMIENTO DEL MOTOR

Aceite de motor

- Use aceite detergente de alta calidad solamente de clasificación API de servicio SF, SG o SH. Seleccione el grado de viscosidad del aceite de acuerdo con su temperatura esperada de operación. Para la tabla de viscosidad refiérase a la página 10 de este manual.
- El motor de cuatro ciclos de su astilladora-desmenuzadora consumirá normalmente algo de aceite. Por consiguiente revise regularmente el nivel de aceite, cada cinco horas de operación aproximadamente y antes de cada uso.
- Apague el motor y espere varios minutos antes de inspeccionar el nivel de aceite. Con el motor nivelado, el aceite debe estar en la marca FULL de la varilla de medición.
- Cambie el aceite del motor después de las primeras cinco horas de operación, y cada veinticuatro horas después.

Para drenar el aceite:

- Drene el aceite mientras el motor está caliente. Siga las instrucciones de abajo.
- Saque la tapa de drenaje de aceite. Colecte el aceite en un recipiente adecuado.
- Cuando se ha drenado el motor de todo el aceite, vuelva a colocar el tapón de drenaje bien ajustado.
- Llene con aceite fresco. Refiérase a la sección de LLENADO DE GASOLINA Y ACEITE.
- Vuelva a colocar la varilla.

Filtro de aire

El filtro de aire impide que la suciedad, polvo, etc. dañinos, penetren al carburador y sean forzados dentro del motor y es importante para la duración del motor y el rendimiento. El filtro de aire consiste de un prefiltro o filtro de espuma, y un filtro de papel. **Nunca haga funcionar** su motor sin que el filtro de aire esté completamente ensamblado.

Para prestar servicio al filtro de aire

1. Preste servicio al prefiltro después de cada 25 horas de uso, o por lo menos una vez por temporada.
 2. Preste servicio filtro cada 100 horas de uso, o por lo menos una vez por temporada.
 3. Preste servicio al prefiltro y al filtro más frecuentemente bajo condiciones polvorientas.
- Extraiga la tuerca mariposa y la cubierta. Vea el recuadro de la figura 13, para la ubicación.



Figura 13

- Deslice el prefiltro fuera del filtro. Limpie completamente el interior de la base y la cubierta.
- Limpie el prefiltro como sigue:
 - a. Lave en una solución de agua y detergente, y exprima (no retuerza) hasta que se haya eliminado toda la suciedad
 - b. Enjuague completamente en agua limpia.
 - c. Envuelva en un trapo limpio y exprima (no retuerza) hasta que esté completamente seco, o permita que se seque al aire.
 - d. Sature con aceite de motor y exprima (no tuerza) para distribuir el aceite y eliminar el exceso de aceite.

NOTA: Reemplace el prefiltro si está rasgado o dañado.

- Si es necesario, reemplace el filtro de papel (no trate de limpiar). Instale un nuevo filtro en la base.
- Deslice el prefiltro sobre el filtro.
- Instale la cubierta y la tuerca mariposa.
- Ajuste seguramente la tuerca mariposa.

Limpieza del motor

- Limpie periódicamente el motor. Elimine la suciedad y los desechos con un trapo o cepillo
- Extraiga frecuentemente los recortes de grama, suciedad y desechos de las aletas de enfriamiento, del tamiz de la toma de aire y de las palancas y acoples. Esto ayudará a asegurar un enfriamiento adecuado y una velocidad correcta del motor. Vea la figura 14.

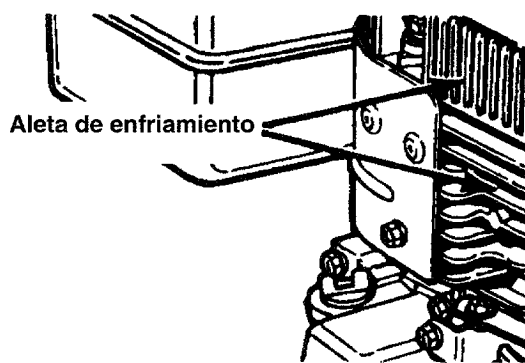


Figura 14

- Anualmente o después de cada 25 horas de uso, lo que ocurra primero, extraiga el armazón del ventilador y limpie las áreas mostradas en la figura 14 para evitar una velocidad excesiva, un calentamiento excesivo y daños al motor. Limpie más frecuentemente si fuera necesario.

NOTA: No se recomienda limpiar con un chorro potente de agua ya que el agua podría contaminar el sistema de combustible.



ADVERTENCIA: La temperatura del silenciador y de las áreas circundantes puede exceder los 150°F (65°C). Evite esas áreas.

Bujía

- La bujía debe limpiarse y ajustar la separación a .030" una vez por temporada por lo menos o cada 50 horas de operación. Vea la figura 15. Se recomienda el reemplazo de la bujía al comienzo de cada temporada. Refiérase a la lista de piezas del motor para el tipo correcto de bujía.

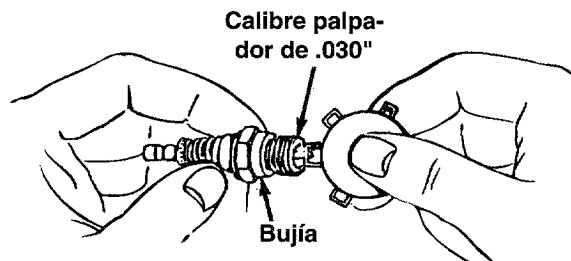


Figura 15

NOTA: No limpie la bujía con chorro de arena. La bujía debe limpiarse raspando o cepillando con cepillo de alambre y lavando con un solvente comercial.

Silenciador



ADVERTENCIA: No opere la astilladora-desmenzadora **sin un silenciador** ni manipule el sistema de escape. Los silenciadores o supresores de chispas dañados pueden crear un riesgo de incendio.

- Inspeccione periódicamente y reemplácelo si fuera necesario. Si su motor está equipado con un conjunto de tamiz de supresor de chispas, extraiga después de cada 50 horas de uso para limpieza e inspección. Reemplace si está dañado.



ADVERTENCIA: Antes de efectuar ajustes o reparaciones, **siempre detenga el motor, desconecte el cable de la bujía** y muévalo alejado de la bujía.

4. LUBRICACION

Lubrique los puntos pivote en la barra de desenganche, conjunto de la tolva, deflector de la canaleta y canaleta de la astilladora, una vez por temporada usando un aceite liviano. Vea la figura 16.

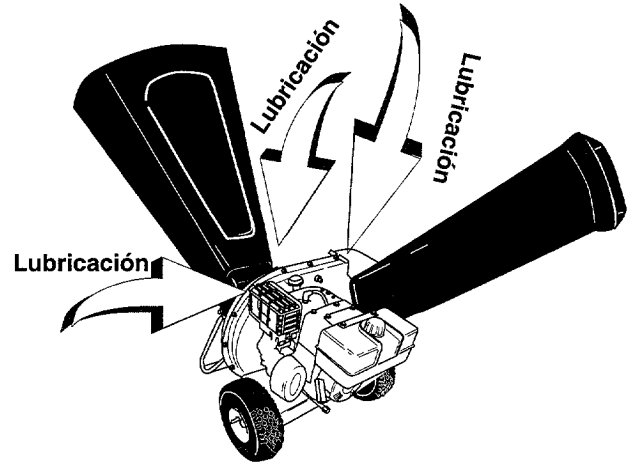


Figura 16: Gráfico de lubricación

SERVICIO Y AJUSTE

1. EXTRACCION DEL TAMIZ DE LA DESGRANADORA

Si se tapona el área de descarga, retire el tamiz de la desgranadora y limpie el área como sigue.

- Apague el motor. Asegúrese que la astilladora-desmenzadora se ha detenido completamente y desconecte el cable de la bujía antes de destapar la canaleta.
- Extraiga las dos perillas manuales a cada lado de la canaleta de descarga (llamado también deflector de la canaleta).
- Levante la canaleta de descarga y colóquela fuera del paso.
- Extraiga los dos broches tipo horquilla del cabello de las clavijas de tipo horquilla que se extienden a través del armazón. Extraiga las clavijas de tipo horquilla. Vea la figura 17.
- Tire desde adentro del armazón el tamiz de la desgranadora. Vea la figura 17.
- Limpie el tamiz raspándola o lavándola con agua.

- Vuelva a colocar el tamiz.
- Coloque la canaleta de descarga en su posición original y ajuste las perillas manuales.

NOTA: Asegúrese de volver a ensamblar el tamiz de la desgranadora con el lado curvo hacia abajo.

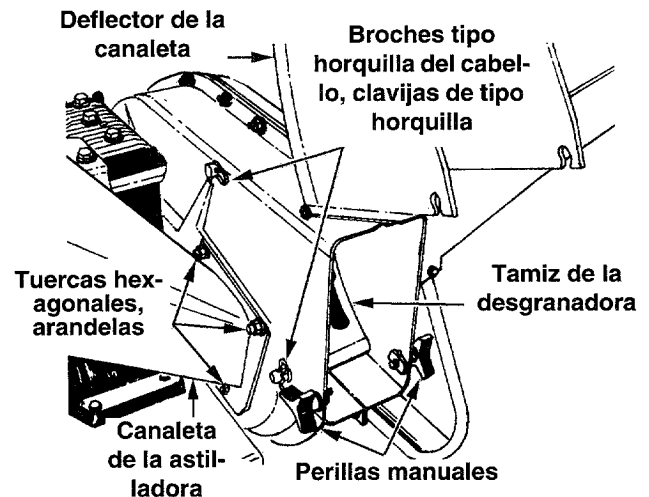


Figura 17

2. AFILADO O REEMPLAZO DE LAS CUCHILLAS

Cuchillas de la astilladora

- Desconecte el cable de la bujía y muévalo alejado de la bujía.
- Extraiga el tamiz de la desgranadora según se instruye en la sección previa.
- Usando una llave de 1/2", extraiga la canaleta de la astilladora extrayendo tres tuercas hexagonales y arandelas. Vea la figura 17.
- Usando una llave de 7/16", extraiga el estribo que sujeta la canaleta al armazón extrayendo los pernos hexagonales.

NOTA: Al reensamblar, la arandela acopada se coloca en la ranura hacia el fondo de la canaleta de la astilladora con el lado acopado contra la canaleta.

- Gire manualmente el conjunto de la hélice hasta que ubique una de las dos cuchillas de la astilladora en la abertura de la canaleta de la astilladora. Extraiga la cuchilla, usando una llave allen de 3/16" en el exterior de la cuchilla y una llave de 1/2" en el conjunto de la hélice (dentro del armazón). Vea la figura 18.

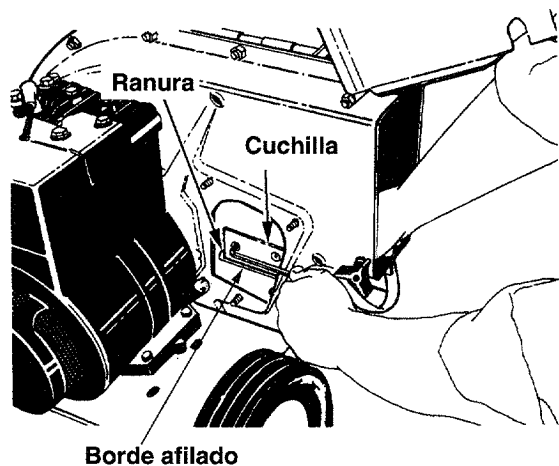


Figura 18

- Extraiga la otra cuchilla de la misma manera.
- Reemplace o afile las cuchillas.
- Si está afilando, asegúrese de extraer una cantidad igual de cada cuchilla.
- Reensamble en orden inverso. Asegúrese que las cuchillas vuelvan a ensamblarse con el borde afilado enfrente en la dirección mostrada en la figura 18 (el borde afilado está ensamblado hacia la abertura ranurada en el fondo).
- Gradúe el par torsor de los pernos y tuercas a 250-350 libras por pulgada.

Cuchilla de la desmenzadora

La cuchilla de la desmenzadora puede extraerse para afilar o reemplazar según lo siguiente:

- Desconecte el cable de la bujía y muévalo alejado de la bujía.
- Baje el conjunto de la tolva. Bloquee el armazón. Vea la figura 19.

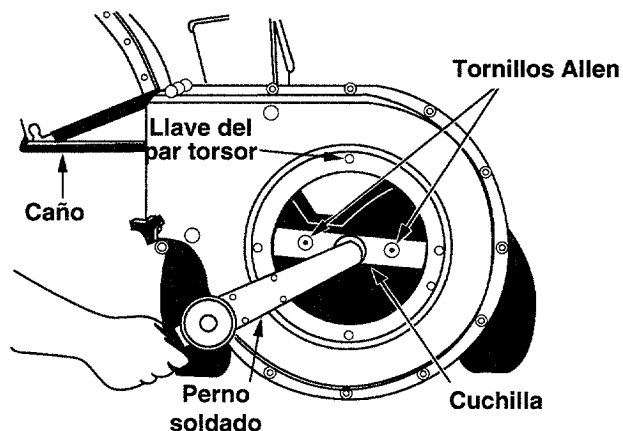


Figura 19

- Extraiga las seis tuercas hexagonales de seguridad y las arandelas de seguridad de los pernos soldados del armazón usando una llave de 1/2". Separe la astilladora-desmenzadora en dos mitades. Extraiga la placa de respaldo.

NOTA: Al reensamblar, asegúrese que las superficies grabadas de la aleta estén orientadas hacia adentro hacia la hélice y que la abertura en la placa de respaldo esté orientada hacia el fondo de la unidad.

- Extraiga las dos perillas manuales y las arandelas acopadas que aseguran el deflector de la canaleta. Levante el deflector de la canaleta.
- Inserte un caño de 1/2" ó 3/4" de diámetro a través del tamiz de la desgranadora dentro de la hélice, para evitar que gire, o extraiga el tamiz de la desgranadora e inserte un trozo de madera (2 x 4) dentro de la abertura de la canaleta, usando una llave allen de 3/16" y una llave de 1/2".
- Extraiga la cuchilla extrayendo el perno central, la arandela de seguridad y la arandela plana.



ADVERTENCIA: Sea precavido al extraer la cuchilla para evitar tocar los pernos soldados en el armazón.

- Al afilar la cuchilla, siga el ángulo original de desgaste como guía. Es extremadamente importante que cada borde de corte reciba un grado igual de desgaste para prevenir una cuchilla desequilibrada.

- Una cuchilla desequilibrada causará una vibración excesiva al girar a altas velocidades y puede causar daños a la unidad. La cuchilla puede probarse por equilibrio equilibrándola sobre un destornillador de hoja redonda o sobre un clavo. Desgaste el metal del lado más pesado hasta que la unidad esté uniformemente equilibrada. Vea la Figura 20.
- Al reensamblar la cuchilla, ajuste el perno central entre 550-650 pulgadas libras y los dos pernos exteriores entre 250 y 350 pulgadas libras, o ajuste seguramente en el caso de no tener una llave de par torsor.

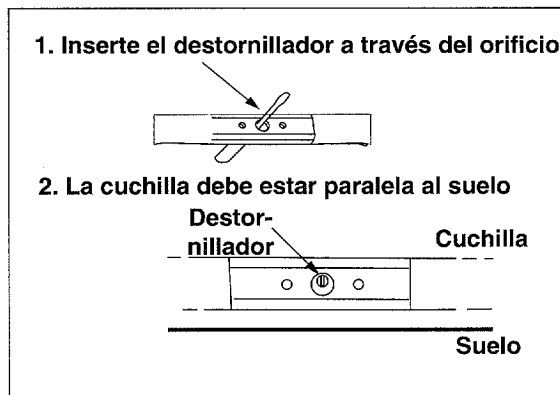


Figura 20

3. AJUSTE DEL CARBURADOR



ADVERTENCIA: Manténgase alejado de todas las piezas móviles, en el caso de efectuar ajustes al motor mientras el mismo está funcionando (por ej. el carburador), **manténgase alejado de todas las piezas móviles.** Tenga cuidado con las **superficies calientes** y el silenciador.

El carburador ha sido ajustado de fábrica y no debe requerir ajustes. Sin embargo, si su motor no funciona correctamente debido a problemas sospechados del carburador, lleve su astilladora-desmenuzadora a su centro de servicio Sears más cercano.

4. VELOCIDAD DEL MOTOR

La velocidad de su motor de su astilladora-desmenuzadora ha sido graduada de fábrica. No intente incrementar la velocidad del motor o puede resultar en lesiones personales. Si usted piensa que el motor está funcionando demasiado rápido o demasiado lento, lleve su astilladora-desmenuzadora a su centro de servicio Sears más cercano para reparar y ajustar.



ADVERTENCIA: Nunca almacene la máquina con combustible en el tanque de combustible, dentro de un edificio **donde los humos pueden alcanzar una llama expuesta o chispa**, o donde estén presentes fuentes de encendido tales como calentadores de agua caliente y de ambientes, hornos, secadores de ropa, cocinas, motores eléctricos, etc.

NOTA: Una revisión anual por su centro de servicio Sears es una buena manera de asegurarse que su astilladora-desmenuzadora proveerá el máximo rendimiento para la próxima temporada.

5. NEUMATICOS

La presión recomendada de operación de los neumáticos es de 24 p.s.i. (la banda lateral del neumático puede indicar la presión recomendada del fabricante). Se debe mantener una presión igual en ambos neumáticos.



ADVERTENCIA: Una presión excesiva al asentar el reborde del neumático puede causar que reviente el conjunto del neumático/aro con una fuerza suficiente como para causar lesiones graves.

Al final de la temporada prepare su astilladora-desmenuzadora para almacenamiento si la unidad no se usará por 30 días o más.

ALMACENAMIENTO



ADVERTENCIA: Nunca almacene la máquina con combustible en el tanque de combustible, dentro de un edificio **donde los humos pueden alcanzar una llama expuesta o chispa**, o donde estén presentes fuentes de encendido tales como calentadores de agua caliente y de ambientes, hornos, secadores de ropa, cocinas, motores eléctricos, etc.

Una revisión anual por su centro de servicio Sears es una buena manera de asegurarse que su astilladora-desmenuzadora proveerá el máximo rendimiento para la próxima temporada.

1. ASTILLADORA-DE SMENUZADORA

- Limpie completamente la astilladora-desmenuzadora
- Frote la unidad con un trapo aceitado para prevenir la oxidación (use un aceite liviano o siliconas)

2. MOTOR

IMPORTANTE: Es importante evitar prevenir que se formen depósitos de goma en piezas esenciales del sistema tales como el carburador, el filtro de combustible, la manguera de combustible o el tanque, durante el almacenamiento. También, la experiencia indica que los combustibles mezclados con alcohol (llamados gasohol o que usan etanol o metanol) pueden atraer la humedad lo que resulta en la separación y formación de ácidos durante el almacenamiento. El gas ácido puede dañar el sistema de combustible del motor mientras está en almacenamiento.

- Drene el tanque de combustible.
- Arranque el motor y permita que funcione hasta que las tuberías de combustible y el carburador estén vacíos.
- Drene el carburador presionando hacia arriba la taza de drenaje la que está ubicada debajo del carburador. Vea la figura 21.
- Nunca use productos limpiadores del motor o del carburador en el tanque de combustible ya que puede ocurrir un daño permanente.
- Use combustible fresco la próxima temporada.

NOTA: El estabilizador de combustible es una alternativa aceptable para minimizar la formación de depósitos de goma del combustible durante el almacenamiento.

- Agregue el estabilizador a la gasolina en el tanque de combustible o recipiente de almacenamiento.
- Siempre siga la proporción de mezcla de combustible indicada en el recipiente del estabilizador.
- Después de agregar estabilizador haga funcionar el motor durante 10 minutos por lo menos, para permitir que el estabilizador llegue el carburador.
- No drene el tanque de combustible ni el carburador si usa el estabilizador de combustible. Drene todo el aceite del cárter (esto debe hacerse después que ha funcionado el motor y está todavía caliente) y llene el cárter con aceite fresco.
- Si usted ha drenado el tanque de combustible, proteja el interior del motor como sigue.
- Extraiga la bujía, vierta 1/2 aproximadamente (una cucharada de té) de aceite de motor, dentro del cilindro e intente arrancar lentamente para distribuir el aceite.
- Vuelva a colocar la bujía.

3. OTRO

- No almacene gasolina de una temporada a la otra.
- Reemplace su recipiente de gasolina si comienza a oxidarse. La oxidación y/o la suciedad en su gasolina causará problemas. Almacene la unidad en un área limpia, seca. No almacene cerca de materiales corrosivos, tal como fertilizantes.

NOTA: Si se almacena en una casilla no ventilada o de metal, asegúrese de proteger el equipo contra el óxido recubriéndolo con un aceite liviano o siliconas.

TABLA DE LOCALIZACION DE FALLAS

PROBLEMA	CAUSA POSIBLE	ACCION CORRECTORA
El motor no arranca	<ol style="list-style-type: none"> 1. Tanque de combustible vacío, o combustible rancio. 2. Está desconectado el cable de la bujía. 3. Bujía defectuosa. 4. El control del acelerador no está en la posición correcta. 	<ol style="list-style-type: none"> 1. Llene el tanque con combustible limpio y fresco. 2. Conecte el cable a la bujía. 3. Limpie, ajuste la separación o reemplace. 4. Mueva el control del acelerador a la posición FAST.
Pérdida de potencia, funcionamiento errático	<ol style="list-style-type: none"> 1. El cable de la bujía está flojo. 2. La unidad está funcionando en CHOKE 3. La tubería de combustible está bloqueada o combustible rancio. 4. Agua o suciedad en el sistema de combustible. 5. El carburador está desajustado. 6. Filtro de aire sucio. 	<ol style="list-style-type: none"> 1. Conecte y ajuste el cable de la bujía. 2. Mueva la palanca del regulador a la posición OFF. 3. Limpie la tubería de combustible; llene el tanque con gasolina limpia y fresca. 4. Desconecte la tubería de combustible en el carburador para drenar el tanque de combustible. Llene con combustible fresco. 5. Consulte con su centro de servicio SEARS. 6. Preste servicio al filtro de aire
El motor se sobrecalienta	<ol style="list-style-type: none"> 1. El carburador no está bien ajustado 2. El nivel de aceite del motor es bajo. 	<ol style="list-style-type: none"> 1. Consulte con su Centro de Servicio SEARS. 2. Llene el cárter con aceite apropiado.
Demasiada vibración	<ol style="list-style-type: none"> 1. Piezas flojas o hélice dañada. 	<ol style="list-style-type: none"> 1. Detenga inmediatamente el motor y desconecte el cable de la bujía. Ajuste todos los pernos y tuercas. Efectúe todas las reparaciones necesarias. Si continúa la vibración haga reparar la unidad en un Centro de Servicio SEARS.
La unidad no descarga	<ol style="list-style-type: none"> 1. Está taponada la canaleta de descarga. 2. Hay un objeto extraño en la hélice. 	<ol style="list-style-type: none"> 1. Detenga inmediatamente el motor y desconecte el cable de la bujía. Limpie el tamiz de la desgranadora y el interior del armazón del ventilador. 2. Detenga inmediatamente el motor y desconecte el cable de la bujía. Retire el objeto atrapado.
La velocidad de descarga disminuye considerablemente o cambia la composición del material descargado.	<ol style="list-style-type: none"> 1. La cuchilla desmenuzadora y/o la cuchilla de la astilladora están desafiladas. 	<ol style="list-style-type: none"> 1. Afile o reemplace la cuchilla(s).



Por favor consulte con su centro de servicio SEARS más cercano, para reparaciones diferentes a los ajustes menores listados arriba.

Sears se complace en ofrecer a sus clientes servicio de reparación de aparatos electrodomésticos y electrónicos de todas las marcas.

En Sears, usted puede contar con operadores en español, a los que puede llamar sin cargo alguno.

Para pedir servicio de reparación a domicilio,

Llame 24 horas al día, 7 días a la semana

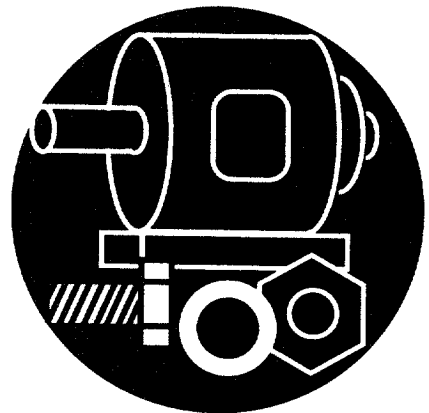
1 800-676-5811



Para ordenar piezas con entrega a domicilio,

Llame de 7 am a 7 pm, 7 días a la semana

1 800-659-7084



SEARS
REPAIR SERVICES