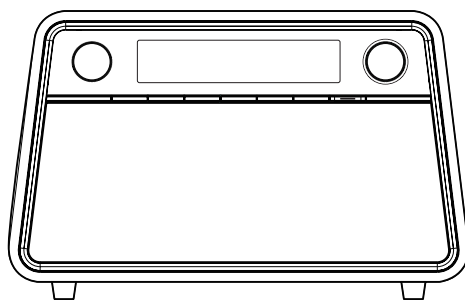
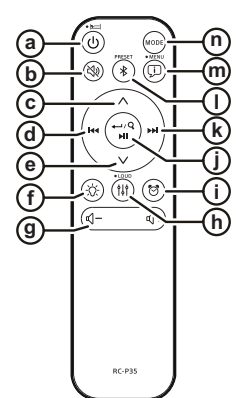
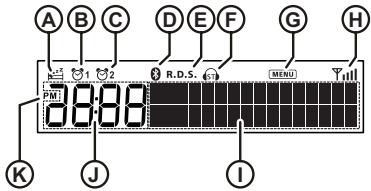
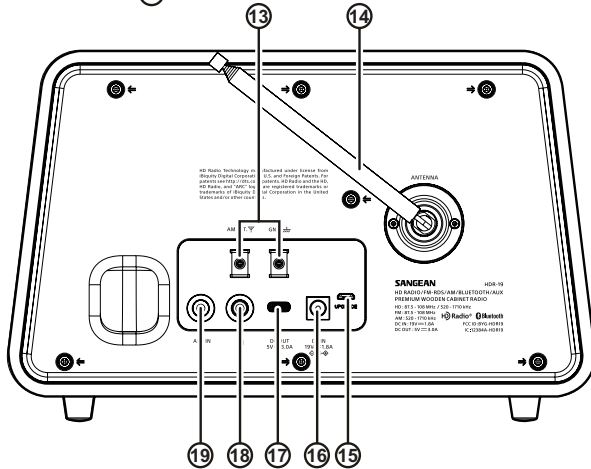
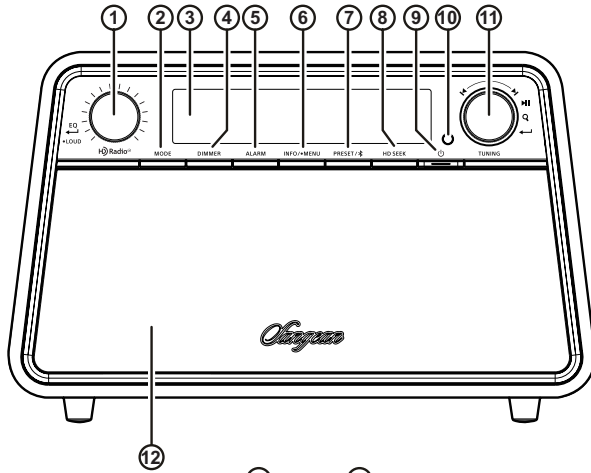


HDR-19



GB

Version 1





HD Radio Technology manufactured under license from iBiquity Digital Corporation. U.S. and Foreign Patents. For patents see <http://dts.com/patents>. HD Radio and the HD, HD Radio, and "ARC" logos are registered trademarks or trademarks of iBiquity Digital Corporation in the United States and/or other countries.



The Bluetooth® word mark and logos are registered trademarks owned by Bluetooth SIG, Inc. and any use of such marks by SANGAN ELECTRONICS INC. is under license.

GB

For Canada:

Cautions to the user

The changes or modifications not expressly approved by the party responsible for compliance could void the user's authority to operate the equipment.

RF exposure statements

To comply with the IC RF exposure compliance requirements, the antenna (s) used for this transmitter must be installed to provide a separation distance of at least 20 cm from all persons and must not be colocated or operating in conjunction with any other antenna or transmitter. No change to the antenna or the device is permitted. Any change to the antenna or the device could result in the device exceeding the RF exposure requirements and void user's authority to operate the device.

This device complies with Industry Canada licenceexempt RSS standard (s).

Operation is subject to the following two conditions: (1) this device may not cause interference, and (2) this device must accept any interference, including interference that may cause undesired operation of the device.

GB

FR

Pour le Canada:

Attention à l'intention de l'utilisateur

Tout changement ou modification non expressément approuvés par la partie responsable de la conformité peut entraîner l'annulation du droit de l'utilisateur à utiliser cet appareil.

Énoncé sur l'exposition aux RF

Pour répondre aux exigences de conformité à l'exposition RF IC, l'antenne utilisée avec l'émetteur doit être installée pour permettre une distance de séparation d'au moins 20 cm de toute personne et ne doit pas être placée à côté ou fonctionner conjointement avec une autre antenne ou un autre émetteur. Aucun changement sur l'antenne ou sur l'appareil n'est autorisé. Tout changement sur l'antenne ou l'appareil pourrait amener l'appareil à dépasser les exigences d'exposition RF et annuler le droit de l'utilisateur d'utiliser l'appareil.

Le présent dispositif est conforme aux CNR d'Industrie Canada applicables aux appareils exempts de licence. L'exploitation est autorisée aux deux conditions suivantes: (1) le dispositif ne doit pas produire de brouillage, et (2) le dispositif doit accepter tout brouillage radioélectrique subi, même si le brouillage est susceptible.

1. Important safety instructions

For United States:



Cautions to the user

The changes or modifications not expressly approved by the party responsible for compliance could void the user's authority to operate the equipment.

RF exposure statements

IMPORTANT NOTE:

To comply with the FCC RF exposure compliance requirements, the antenna(s) used for this transmitter must be installed to provide a separation distance of

at least 20cm (8 inches) from all persons and must not be colocated or operating in conjunction with any other antenna or transmitter. No change to the antenna or the device is permitted. Any change to the antenna or the device could result in the device exceeding the RF exposure requirements and void user's authority to operate the device.

Note:

This device complies with Part 15 of the FCC Rules. Operation is subject to the following two conditions: (1) This device may not cause harmful interference, and (2) this device must accept any interference received, including interference that may cause undesired operation.



This equipment has been tested and found to comply with the limits for a Class B digital device, pursuant to part 15 of the FCC Rules.

These limits are designed to provide reasonable protection against harmful interference in a residential installation. This equipment generates, uses and can radiate radio frequency energy and, if not installed and used in accordance with the instructions, may cause harmful interference to radio or television reception, which can be determined by turning the equipment off and on, the user is encouraged to try to correct the interference by one or more of the following measures:

- Reorient or relocate the receiving antenna.
- Increase the separation between the equipment and receiver.
- Connect the equipment into an outlet on a circuit different from that to which the receiver is connected.
- Consult the dealer or an experienced radio / TV technician for help.

CAUTION:

These servicing instructions are for use by qualified service personnel only. To reduce the risk of the electric shock, do not perform any servicing other than that contained in the operating instructions unless you are qualified to so.

VERY IMPORTANT PLEASE READ

Sagean suggest that you keep your AC Adapter at least 12 inches away from the radio while listening to the AM Band.

Your Sagean Radio is powered by an AC adapter which is a "switching" or "switch-mode" type. The DOE (Department Of Energy) has a Federal mandate; requiring all manufactures to use this type of power supply. This newer power saving technology has the unfortunate side effect of causing interference to the AM radio band.

Therefore, we recommend that customers keep at least a 1 foot distance between the AC adapter and the radio. This interference will not affect the FM Band. If you have any questions please contact customer service at (562)941-9900 or service@sageanus.com.

If an AC adapter isn't included in this model and if you wish to purchase an AC Adapter separately, please refer to the specifications for the AC Adapter stated on the final page of the manual, or please contact Sagean for the correct AC Adapter and specifications.

To learn more about the DOE mandate please visit http://www1.eere.energy.gov/buildings/appliance_standards/product.aspx/productid/23

Please note not all AC adapters are alike.

The AC adapter that is included with this radio is designed to be used exclusively with this device. Do not use an AC adapter that differs from the specifications on the AC adapter that is included.

If an AC adapter is NOT included with your radio and in order not to damage the unit and void your warranty, specifications for the AC Adapter are stated on the final page of the manual, or please contact Sagean for the

correct AC Adapter and specifications. For customers in the US and Canada, please call 562-941-9900. For all other areas, please contact us via contact@sagean.com.

Do not use an AC adapter that does not meet the correct specifications.

Cautions

Do not allow this radio to be exposed to water, steam or sand. Do not leave your radio where excessive heat could cause damage such as in a parked car where the heat from the sun can build up even though the outside temperature may not seem too high.



- Your radio should not be exposed to dripping or splashing water and that no objects filled with liquids, such as vases, shall be placed on the radio.
- It is recommended to operate the product such that there is a minimum distance (4" recommended) to adjacent objects in order to ensure good ventilation.
- The ventilation of the product should not be restricted by covering it or its ventilation openings with items such as newspapers, tablecloths, curtains etc.
- No open flame sources such as lighted candles should be placed on the product.
- It is recommended to avoid using or storing the product at extreme temperatures. Avoid leaving the unit in cars, on window sills or in direct sunlight etc.

2. Introduction

Overview of the main unit

- ① Volume / EQ / Loudness button
- ② Mode button
- ③ LCD Display
- ④ Dimmer button
- ⑤ Alarm button
- ⑥ Info / Menu button
- ⑦ Preset / Bluetooth pairing button
- ⑧ HD seek button
- ⑨ Power / Sleep button
- ⑩ Infrared sensor
- ⑪ Tuning / Previous track / Next track / Select / (AM / FM) seek / Play / Pause button
- ⑫ Speaker
- ⑬ External AM antenna terminal
- ⑭ FM telescopic antenna
- ⑮ Software upgrade socket (for service use only)
- ⑯ DC IN socket
- ⑰ USB-C DC OUT socket
- ⑱ Headphones socket
- ⑲ AUX IN socket

Remote control

- a Power / Sleep button
- b Mute button
- c Tuning up button
- d Previous track / Fast rewind button / HD seek down button
- e Tuning down button
- f Dimmer button
- g Volume up / down button
- h EQ / Loudness button
- i Alarm button
- j Play / Pause / Select / (AM / FM) seek button
- k Next track / Fast forward button / HD seek up button
- l Preset / Bluetooth pairing button
- m Info / Menu button
- n Mode button

Note: The instructions in this User Manual all use the controls on the radio itself. All functions can also be controlled using the corresponding buttons on the remote control. Please note that a few operations are slightly different, and are as follows;

1. Pressing the **Tuning up button** and **Tuning down button** on the remote control corresponds to rotating the **Tuning button** on the radio.
2. Pressing the **Play / Pause / Select / (AM / FM) seek button** on the remote control corresponds to pressing the **Tuning button** on the radio.
3. Pressing the Volume up / down button on the remote control corresponds to rotating the **Volume button** on the radio.
4. Pressing and holding the **EQ / Loudness button** on the remote control corresponds to pressing and holding the **Volume button** on the radio.
5. Only the remote control features a **Mute button**, which allows you to disable all sound output. Press it again to resume sound output.

LCD display and indicators

- A Sleep / Snooze indicator
- B Alarm 1 indicator
- C Alarm 2 indicator
- D Bluetooth indicator
- E RDS indicator
- F FM Stereo indicator
- G Menu indicator
- H Signal strength indicator
- I Frequency / Text display area
- J Time display area
- K PM time indicator

3. Getting started

Positioning the radio

After unpacking the radio from the box, follow these guidelines to find a suitable location for the radio:

- Place the radio on a flat, even surface such as a table.
- Do not place the radio near heat sources.
- Make sure there is sufficient space available around the radio for proper ventilation.
- Avoid placing the radio near appliances that can interfere with Bluetooth and AM reception.

Installing batteries in the remote control

The HDR-19's remote control requires two 1.5V AAA batteries (not included) to operate. Follow these steps to install the batteries:

1. Open the battery compartment on the back of the remote control.
2. Insert two 1.5V AAA batteries in the battery compartment with polarities as shown in the diagram inside the battery compartment.
3. Close the battery compartment on the back of the remote control again.

Connecting the AC power adapter

The HDR-19 can be powered using the supplied AC power adapter. Connect the power adapter to the radio's DC IN socket at the back of the radio, and then plug it into a wall socket supplying 100~240 Vac, 50 / 60Hz. When "Set Time" is shown on display with the hour digits flashing, it indicates that the time is not yet set. Your radio will prompt you to set the time and date using the **Tuning button**. Refer to the instructions in the section "Setting the time and date" in this chapter for a detailed explanation on how to set the date and time.

Navigating and using the radio menu

The radio menu can be opened from any mode, including the standby mode.

To open the radio menu, press and hold the **Info / Menu button** for 2-3 seconds until a beep is heard and the menu is shown on the radio's display. Next, rotate the **Tuning button** to select an option in the menu, and push in and release the **Tuning button** to confirm your choice. For extra clarity, the option that is currently selected and can be modified will appear blinking on the radio's display. While in the radio menu, press and release the **Info / Menu button** at any time to close the menu.

The list below gives an overview of the default options that can be selected when the menu is opened from the standby mode. If the menu is opened from any of the other radio modes, it will feature these options alongside additional options specific to the selected mode. These options will be listed in the chapter belonging to that specific mode later in this manual.

[Clock]: Select this option to set the radio's time and date.

[12 / 24 hour]: Select this option to set the 12 or 24 hour format.

[Language]: Select this option to configure the language in which the radio menus are displayed. The available languages on the HDR-19 are **[English]** and **[Español]**.

[Set Snooze Time]: Select this option to configure the radio's snooze time. The available options are **[5]**, **[10]**, **[15]**, and **[20]** minutes.

[Alert]: Select this option to enable or disable the radio's Emergency Alerts feature and defining a location for Emergency Alerts.

[Alert Volume]: Select this option set the volume level for Emergency Alerts. The alert volume can be set from **[1]-[32]**.

[EA History]: Select this option to see the last 5 Emergency Alerts that have been received.

[Version]: Select this option to view the radio's software version.

[Factory Default]: Select this option to reset the radio to the default settings. Please note that selecting this option and subsequently selecting **[Yes]** will reset the radio to its factory settings and all information stored on the radio will be deleted. This includes all settings and stored preset stations.

[Power On Dimmer]: Select this option to configure the display brightness when the radio is turned on. The available options are **[Off]** and **[1]-[4]**.

[Standby Dimmer]: Select this option to configure the display brightness when the radio is in standby mode. The available options are **[Off]** and **[1]-[4]**.

The items **[Power On Dimmer]** and **[Standby Dimmer]** can also be configured by repeatedly pressing the **Dimmer button** when the radio is turned on or in standby mode respectively.

Note: If the radio receives no input for about 20 seconds while in the menu, it will automatically exit the menu and any changes to settings that were not saved will be lost.

Setting the time and date

To set the radio's time and date, follow these steps:

1. Open the radio menu by pressing and holding the **Info / Menu button** for 2-3 seconds until a beep is heard and the menu is shown on the radio's display.
2. Rotate the **Tuning button** to select **[Clock]** and push in and release the **Tuning button** to start setting the time and date.
3. The radio will now allow you to set the time. Rotate the **Tuning button** to select the desired hour (if the radio is using the 12 hour time format, keep rotating until you pass the 12 o'clock hour to switch between AM and PM), and push in and release the **Tuning button** to set the hour.
4. Rotate the **Tuning button** to select the desired minutes, and push in and release the **Tuning button** to set the minutes.
5. The radio will now allow you to set the date. Rotate the **Tuning button** to select the desired month, and push in and release the **Tuning button** to set the month.

6. Rotate the **Tuning button** to select the desired day, and push in and release the **Tuning button** to set the day.

7. Rotate the **Tuning button** to select the desired year, and push in and release the **Tuning button** to set the year.

8. After the time and date are set, "Saved" will appear on the bottom line of the radio's display and the radio will return to the selected mode.

Note:

The time and date can also be set automatically when receiving an FM radio station using RDS / RBDS data and a CT signal. Refer to the section "Additional setting options in the radio menu" in section 4 for more information.

4. The AM / FM radio modes

Tuning into AM / FM stations

To tune into AM / FM radio stations, follow these steps:

1. Turn on the radio by pressing and releasing the **Power / Sleep button**.
2. Select the AM / FM radio mode by repeatedly pressing and releasing the **Mode button**.
3. Rotate the **Tuning button** clockwise or counterclockwise and then press the **Tuning button** to automatically scan for the next station with a higher or lower frequency respectively.
4. Rotate the **Tuning button** in order to fine-tune the frequency, if needed.
5. Rotate the **Volume button** to increase or decrease the volume as needed.
6. Repeat the steps 3 and 4 to tune into other radio stations.

Notes:

- (1) Before selecting the AM / FM radio mode and tuning into stations, make sure that the AM / FM region is configured correctly (refer to the next section in this chapter), that the radio is placed in a good location and that the antenna at the back of the radio has been fully extended (for FM radio).
- (2) The radio's built-in AM antenna should provide sufficient reception for normal listening. If AM reception is poor, try rotating the radio for better reception. Alternatively, an external AM antenna (not included) can be connected through the external AM antenna terminal at the back of the radio.
- (3) When the end of the frequency band is reached the radio will resume tuning from the opposite end of the frequency band.

Tuning into HD Radio™ stations

The HDR-19 is equipped with HD Radio Technology and is capable of tuning into HD Radio stations on the AM / FM band. To tune into digital HD Radio stations, follow these steps:

1. Turn on the radio by pressing and releasing the **Power / Sleep button**.
2. Select the AM / FM radio mode by repeatedly pressing and releasing the **Mode button**.
3. Press and release the **HD Seek button** (alternatively, press the **HD seek up button** on the remote control) to automatically scan for the next HD Radio station with a higher frequency, or press and hold the **HD Seek button** for 2-3 seconds then release (alternatively, press the **HD seek down button** on the remote control) to automatically scan for the next HD Radio station with a lower frequency. When the radio is tuned to an HD Radio station, the HD Radio logo will flash in the display, indicating that the signal is blending from analog to digital. Once the receiver acquires the HD Radio signal, the HD Radio logo will remain solid on the screen.
4. If more than one Multicast stations are found on the same frequency, the radio will display the current Multicast station and indicate more Multicast stations are available by adding a plus symbol behind the Multicast station number. "HD1+" for example, indicates that the radio is tuned into Multicast station 1 and that one or more Multicast stations are available on the same frequency. Rotate the **Tuning button** clockwise to switch between the different Multicast channels on the same frequency.
5. Rotate the **Volume button** to increase or decrease the volume as needed.
6. Repeat steps 3 and 4 to tune into other HD Radio stations.

Additional setting options in the radio menu

Both the AM radio menu and the FM radio menu contain several additional setting options. Below is a list of these options for each of the two modes.

AM radio

In the AM radio mode, the radio's menu features two additional options specific to this mode:

[Region]: Select this option to configure the radio's region for AM radio stations. The available options are as follows:

- Region A, 522-1719 kHz, steps of 9kHz (Philippines, Romania).
- Region B, 520-1710 kHz, steps of 10kHz (US, Mexico, Canada).
- Region C, 522-1620 kHz, steps of 9kHz (Southeast Asia).
- Region D, 522-1629 kHz, steps of 9kHz (Brazil).

[HD Radio APS]: Select this option to automatically scan for and preset HD Radio stations on the AM band. Refer to the section "Automatically presetting HD Radio stations" below for more information.

FM radio

In the FM radio mode, the radio menu features four additional options specific to this mode:

[Region]: Select this option to configure the radio's region for FM radio stations. The available options are as follows:

- Region A, 87.5-108.0 MHz, steps of 100kHz (most countries).
- Region B, 87.5-107.9 MHz, steps of 200kHz (US, Mexico, Canada).
- Region C, 87.5-108.0 MHz, steps of 50kHz (most countries).
- Region D, 76.0-108.0 MHz, steps of 100kHz (Brazil, Japan).

[HD Radio APS]: Select this option to automatically scan for and preset HD Radio stations on the FM band. Refer to the section "Automatically presetting HD Radio stations" in this chapter for more information.

[RBDS Auto CT]: Select this option and set it to **[Auto]** to allow the radio to automatically set its clock time when it is tuned into an FM station using RDS / RBDS with CT signals. Select **[Manual]** to ignore these signals and set the clock time manually as described in the previous section of the manual.

[Force Mono]: Select this option to enable or disable stereo playback for FM broadcasts. Select **[Mono]** to force the radio to play FM broadcasts in mono, or select **[Stereo]** to allow the radio to play FM broadcasts in stereo. Forcing mono may reduce hiss that can be audible when listening to weak FM signals.

Note: FM stereo is only available when using headphones or when listening to HD Radio stations.

Presetting AM / FM radio stations

The HDR-19 features 20 presets for both AM and FM stations.

To manually store a station as a preset on either band, follow these steps:

1. Turn on the radio by pressing and releasing the **Power / Sleep button**.
2. Select the AM / FM radio mode by repeatedly pressing and releasing the **Mode button** and tune into the required station as previously described.
3. Press and hold the **Preset / Bluetooth pairing button** for 2-3 seconds until a beep is heard and "Preset Store" is shown on the radio's display.
4. Rotate the **Tuning button** to select the desired preset number (P01-P20) and push in and release the **Tuning button** to store the current frequency under the chosen preset number.
5. Repeat this procedure as needed for the remaining presets. Preset stations cannot be deleted, but they can be overwritten by storing a new station on an already used preset.

Automatically presetting HD Radio stations

The HDR-19 can also automatically store HD Radio stations as presets using the radio menu.

To automatically save HD Radio stations as presets, follow these steps:

1. Turn on the radio by pressing and releasing the **Power / Sleep button**.
2. Select the AM / FM radio mode by repeatedly pressing and releasing the **Mode button**.
3. Press and hold the **Info / Menu button** for 2-3 seconds until a beep is heard and the menu is shown on the radio's display.
4. Rotate the **Tuning button** to select **[HD Radio APS]**, and push in and release the **Tuning button**.
5. The radio will now automatically scan the selected band for all HD Radio stations and store the stations it finds as preset. During the scanning process, the station counter in the right bottom of the radio's display will increase as stations are found, and the 20 stations with the strongest signal will be saved as presets in order of signal strength (i.e. P01 is the station with the strongest signal).

Notes:

- (1) If more than 20 stations are found during the scan, only the 20 stations with the strongest signal will be added to the presets.
- (2) If HD Radio stations are found when using this feature, all previously preset stations will be erased.

Recalling presets

To recall a preset follow these steps:

1. Turn on the radio by pressing and releasing the **Power / Sleep button**.
2. Select the AM / FM radio mode by repeatedly pressing and releasing the **Mode button**.
3. Press and release the **Preset / Bluetooth pairing button**, "Preset Recall" is shown on radio's display, along with the first AM / FM preset and the corresponding frequency.
4. Rotate the **Tuning button** to select the desired preset number (P01-P20) and push in and release the **Tuning button** to tune into the selected preset number.

Showing station information on the display

RDS (Radio Data System) status

Your radio has a range of display options when in FM mode. Repeatedly press and release the **Info / Menu button** to cycle through the following information on the radio's display:

- Station name & Call sign
- Radio text
- Program type
- Date
- Signal strength

Note: The radio only provides displays when there is available information. If no RDS information is available, the radio will be unable to display the program service (e.g. station name), scrolling text and program type information.

HD Radio™ status

Press and release the **Info / Menu button** to cycle through the various options.

- Station name
- Radio text
- Program type
- Date
- Signal strength
- Station frequency

Note: Some of the information in the list above may only be available when the radio is tuned into HD Radio stations or FM radio stations using RDS / RBDS.

5. The Bluetooth mode

In order to stream Bluetooth music to your radio, you need to pair your Bluetooth device with your HDR-19. Pairing creates a 'bond' so two devices can recognize each other.

Pairing your Bluetooth device for the first time

To pair your Bluetooth device with the HDR-19, follow these steps:

1. Turn on the radio by pressing and releasing the **Power / Sleep button**.
2. Repeatedly press and release the **Mode button** to select the Bluetooth mode. The radio's display will show the "Bluetooth Pairing" and the Bluetooth icon will blink to indicate that the radio is available for Bluetooth pairing.
3. Enable Bluetooth on your Bluetooth device (refer to the manual of the Bluetooth device if you are unsure about how to enable Bluetooth).
4. Go to the Bluetooth list on your Bluetooth device and select the device named "HDR-19".

Note: On some Bluetooth devices with Bluetooth version 2.1 or earlier, you might be requested to enter a passcode. If this is the case, enter the passcode "0000".

5. After the devices have paired and connected, a confirmation tone will be played on the radio, the radio's display will show the name of the connected Bluetooth device, and the Bluetooth icon will stay lit. You can now play music on your Bluetooth device and stream the music through the radio's speaker.

Notes:

- (1) If 2 Bluetooth devices are pairing for the first time, both must search for your radio, it will show its availability on both devices. However, if one device links with this unit first, then the other Bluetooth device won't find it on the list.
- (2) If you take your Bluetooth device out of range, the connection between your device and the radio will be temporarily disconnected. Your radio will automatically reconnect if the Bluetooth device is brought back into range. Be aware that during the period of disconnection, no other Bluetooth device can pair or

link with your radio.

- (3) If "HDR-19" shows up in your Bluetooth device list, but your Bluetooth device cannot connect with it, please delete the item from your list and pair the Bluetooth device with the radio again following the steps described previously.
- (4) The effective operation range between the radio and the paired Bluetooth device is approximately 10 meters (30 feet). Any obstacle between the system and the device can reduce the operational range.
- (5) Bluetooth connectivity performance may vary depending on the connected Bluetooth device. Please refer to the Bluetooth capabilities of your device before connecting it to your radio. Not all features may be supported, depending on the Bluetooth device used.
- (6) With some mobile phones, making / receiving calls, text messages, e-mails or any other activities unrelated to audio streaming may mute the Bluetooth audio streaming or even temporarily disconnect from your device. Such behavior is a function of the Bluetooth device and does not indicate a problem with your HDR-19.

Audio playback in the Bluetooth mode

When you have successfully connected your radio with the chosen Bluetooth device you can start to play your music using the controls on your connected Bluetooth device.

1. The volume of Bluetooth playback can be controlled both on your Bluetooth device and on the radio using the **Volume button**.
2. Playback can also be controlled both using the controls on your Bluetooth device and the controls on the radio. Press the radio's **Tuning button** to start / pause playback, rotate the **Tuning button** clockwise or counterclockwise (alternatively, press the **Next track** or **Previous track button** on the remote control) to skip to the next or previous track respectively.

The fast forward and rewind functions can only be used on the remote control. Press and hold the **Fast forward** or **Rewind button** on the remote control to fast forward or rewind within a track, then release the button when the desired point is reached.

Note: Not all player applications or devices may respond to all of these controls.

Bluetooth display options

If your connected Bluetooth device can provide information from the track being played, repeatedly press and release the **Info / Menu button** to cycle through the following information on the radio's display:

- Device name
- Artist
- Title
- Album
- Date

Please note that the availability of information depends on the specific media format.

Additional options in the radio menu

In the Bluetooth mode, the radio menu features one additional option specific to this mode:

[Forget Devices]: Select this item and then select **[On]** to have the radio forget all previous Bluetooth devices it has paired with.

Audio playback from a previously paired Bluetooth device

The HDR-19 can memorize up to 6 sets of paired Bluetooth devices. Once more than 6 devices are memorized, the earliest device with which the radio was paired will be overwritten in the radio's memory.

If your Bluetooth source device has previously paired with the HDR-19, the radio will still remember your Bluetooth device and attempt to reconnect with the device that was last connected.

Disconnecting your Bluetooth device

Press and hold the **Preset / Bluetooth pairing button** to disconnect the radio from your Bluetooth device. You can also press the **Mode button** to select any mode other than Bluetooth mode or turn off Bluetooth on your Bluetooth source device to disable the connection.

If you disconnect using the **Preset / Bluetooth pairing button** or from the Bluetooth device while the radio is in the Bluetooth mode, a confirmation tone will be played and the radio's Bluetooth icon will start blinking again to indicate that the radio is available again for pairing.

6. The AUX IN mode

Using the Auxiliary input socket

You can listen to the sound of an external device through the HDR-19's speaker. To do this, follow these steps:

1. Connect the external device (such as iPod, MP3 player or CD player) to the radio's AUX IN socket using a 3.5 mm audio cable (not supplied).
2. Make sure both the radio and the external device are turned on.
3. Repeatedly press and release the **Mode button** to select the AUX IN mode.
4. The audio output of the external device will now be played through the speaker of the HDR-19. Adjust the volume on the external device to ensure an adequate volume level and then use the radio's **Volume button** as needed to adjust the volume to a comfortable level.

7. Other Features

Setting and operating the alarms

The HDR-19 features 2 alarms, which can be set in any of the radio's modes.

Setting alarms

To set an alarm, follow these steps:

1. Press and release the **Alarm button**. Alarm 1 and its

setting will be shown on the radio's display.

2. Rotate the **Tuning button** to select **[Alarm 1]** or **[Alarm 2]**, and push in and release the **Tuning button** to enter the setting.
3. Select **[On]** or **[Off]** to enable or disable the selected alarm. If **[Off]** is selected, the radio will display a message indicating that the selected alarm has been saved. The alarm will now be disabled, the alarm's indicator will no longer be shown on the radio's display, and the radio will return to the selected mode.
4. If **[On]** is selected, rotate the **Tuning button** to select the desired alarm hour (if the radio is using the 12 hour time format, keep rotating to switch between AM and PM), and push in and release the **Tuning button** to set the alarm hour.
5. Rotate the **Tuning button** to select the desired alarm minutes, and push in and release the **Tuning button** to set the alarm minutes.
6. Next, the radio will allow you to select the alarm frequency. Rotate the **Tuning button** to select **[Once]**, **[Daily]**, **[Weekdays]** or **[Weekends]** as the alarm frequency, and push in and release the **Tuning button** to confirm your choice.
7. Then, the radio allows you to select the alarm source. Rotate the **Tuning button** to select **[FM]**, **[AM]** or **[Buzzer]** as the alarm source, and push in and release the **Tuning button** to confirm your choice. If **[Buzzer]** is chosen in this step, proceed to step 9.
8. If **[AM]** or **[FM]** is chosen in step 7, the radio station that will be played when the alarm is activated has to be selected in this step. Rotate the **Tuning button** to select the desired preset station or the last listened station as the alarm station, and push in and release the **Tuning button** to confirm your choice.
9. Finally, the alarm volume still has to be configured. Rotate the **Tuning button** to select the desired alarm volume, and push in and release the **Tuning button** to confirm your choice.

After setting an alarm, the radio will display a message indicating that the selected alarm has been saved (e.g. "Alarm 1 saved") and the alarm symbol will appear on the radio's display to indicate that the alarm has been enabled.

Snoozing or stopping alarms

When an alarm is activated, it will start softly and gradually increase in level (Humane Wake System) and remain active for 60 minutes. Alarms can be stopped by pressing the **Power / Sleep button**, or snoozed for the snooze time that is configured in the radio's menu by pressing or rotating any other button. For AM / FM radio alarms, the **Volume button** can be used to control the alarm's volume.

Setting the sleep timer

The HDR-19 also features a sleep timer, which can be set by following these steps:

1. Press and hold the **Power / Sleep button** for 2-3

seconds until a beep is heard and "Sleep Time" is shown on the display.

2. Rotate the **Tuning button** to select the desired sleep time (15-180 minutes), and push in and release the **Tuning button** to confirm the sleep time.
3. If you want to check the remaining time of a sleep timer, repeat step 1. To cancel a sleep timer, repeat step 1, while selecting **[Off]** in step 2.

Configuring the Emergency Alerts feature

Emergency Alerts (EA) is a warning system used by broadcasters to notify listeners about potential hazardous situations related to extreme weather, floods, and infrastructure failures, amber alerts (child abductions), and more.

The HDR-19 must be in a location that allows for adequate reception of audio and data services and tuned into a station that provides the Emergency Alerts. When Emergency Alerts are enabled, the Emergency Alerts feature allows audio and text-based alerts to be played or displayed by the radio. The alerts can also awaken the radio from standby mode.

Enabling Emergency Alerts

Emergency Alerts can be enabled in any of the radio's modes by following these steps:

1. Press and hold the **Info / Menu button** for 2-3 seconds until a beep is heard, and the menu is shown on the display.
2. Rotate the **Tuning button** to select **[Alert]**, and push in and release the **Tuning button** to confirm your choice.
3. Rotate the **Tuning button** to select **[On]**, and push in and release the **Tuning button** to confirm your choice.
4. The radio will now ask if you want to define a location. Select **[On]** to define a location, so that the radio will only show local Emergency Alerts. Alternatively, select **[Off]** to skip defining a location, so all the alerts that are broadcast within the radio's range will be received. If **[Off]** is selected in this step, proceed to step 7.
5. The radio will now allow you to select a location preset. The HDR-19 has 10 location presets that allow you to easily switch between locations. Rotate the **Tuning button** to select the desired location preset, and push in and release the **Tuning button** to confirm your choice.
6. Next, rotate the **Tuning button** to select either of the following options to provide location data:
 - **[State / County]:** After selecting and confirming this option, rotate and push in and release the **Tuning button** to subsequently select and confirm a state and a county, and proceed to step 7.
 - **[Zip]:** After selecting and confirming this option, rotate and push in and release the **Tuning button** to enter the digits of a US ZIP code one by one from left to right, and proceed to step 7.
 - **[Off]:** After selecting and confirming this option, the current preset is disabled. You can now proceed to step 7.

7. Finally, rotate the **Tuning button** to select either **[Save]** and save the configured settings or **[Back]** to reselect or reconfigure a location preset.

Snoozing and ignoring Emergency Alerts

Once an Emergency Alert is triggered, it will remain on the display until the user snoozes or ignores the Emergency Alert by pressing a button. An Emergency Alert can be snoozed for 10 minutes by pressing any of the radio's buttons other than the **Power / Sleep button**, while it can be ignored for 12 hours by pressing the **Power / Sleep button**. Emergency Alerts that have been snoozed or ignored can still be viewed in **[EA History]** in the radio menu. If a new Emergency Alert is received, however, the snooze or ignore will be canceled immediately.

Alert indicator

In several circumstances, the HDR-19 will display an alert indicator in the text display area on the radio's display. Below is a list of the possible values of the alert indicator:

Emergency Alerts indicator Exclamation mark (!)	Emergency Alerts feature is disabled
Symbol (a)	Current station supports Emergency Alerts
Symbol (i)	Emergency Alerts message "ignored"
Symbol (s)	Emergency Alerts message "snoozed"
Symbol (t)	Test Alerts message OK

Setting the equalizer and loudness feature

The HDR-19 has an equalizer with 7 predefined modes and 1 custom mode. The equalizer mode can be set by following these steps:

1. Turn on the radio by pressing and releasing the **Power / Sleep button**.
2. Push in and release the **Volume button** to enter the EQ selection menu.
3. Rotate the **Volume button** to select the desired equalizer mode or the option configure your own equalizer mode and push in and release the **Volume button** to confirm your choice. The available equalizer modes are **[Normal]**, **[Jazz]**, **[Rock]**, **[Classic]**, **[Pop]**, **[News]**, **[Soft]** and **[My EQ]**, while the option **[My EQ Setup]** allows you to setup the **[My EQ]** mode.
4. If **[My EQ Setup]** is chosen in step 3, rotate and press the **Volume button** to subsequently configure the bass, middle tones and treble.
5. Press and hold the **Volume button** for 2-3 seconds to enable or disable the radio's loudness feature.

Using the headphones socket

The Headphones socket at the back of the HDR-19 can be used to connect a pair of headphones with a 3.5mm plug. To connect the headphones, simply plug the 3.5mm jack into the socket. The radio will then automatically detect that a pair of headphones has been connected and disable its internal speaker.

We recommend turning the volume down before connecting the headphones and raising it slowly to a suitable level after connecting the headphones to avoid loud sounds and damaging your hearing.

Note:

Excessive sound pressure from earphones and headphones can cause hearing loss. To prevent possible hearing damage, do not listen at high volume levels for long periods of time.

Using the USB-C DC OUT socket

The HDR-19 is equipped with a USB-C DC OUT socket which can be used for charging iPhones, smartphones or similar devices. The charge time may vary and in some cases may take longer to charge than when using the manufacturer's charging unit supplied with the device.

Note: USB devices cannot be charged in the AM radio mode because of interference, while charging USB devices while listening to FM radio may affect the listening quality.

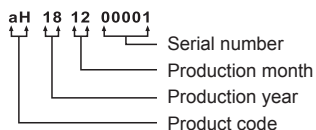
IMPORTANT:

- The USB-C DC OUT socket has an output power of 5V / 3A when the radio is in standby mode, and an output power of 5V / 1.5A when the radio is powered on. It does not support external hard disk drives, and some mobile phones or electronic devices.
- The USB-C DC OUT socket may not supply power to some USB devices.
- Do not connect a power source to the USB-C DC OUT socket. Otherwise, there is a risk of fire. The USB port is only intended for charging lower voltage devices.
- Do not insert a nail, wire, etc. into the USB-C DC OUT socket. Otherwise, a short circuit may cause smoke or fire.
- Do not connect the USB-C DC OUT socket to a USB port of your PC, as it is highly possible that it may cause damage to both units.
- Never use the USB-C DC OUT socket in rainy or moist conditions to prevent moisture from entering the radio.


8. Specifications

Power Requirements	
Mains	AC 100~240 V 50/60 Hz, DC 19V / 1.8A Center Pin Positive (AC / DC switching adapter)
Remote Control Battery	2 x AAA
Frequency Coverage	
Region A (Most countries) FM: 87.5-108, 100kHz	Region A (Philippines, Romania) AM: 522-1710, 9kHz
Region B (US, Mexico, Canada) FM: 87.5-107.9, 200kHz	Region B (US, Mexico, Canada) AM: 520-1710, 10kHz
Region C (Most countries) FM: 87.5-108, 50kHz	Region C (Southeast Asian) AM: 522-1620, 9kHz
Region D (Brazil, Japan) FM: 76-108, 100kHz	Region D (Brazil) AM: 522-1629, 9kHz
Antenna system	
	FM telescopic antenna
	AM Built-in ferrite antenna
	AM external antenna terminal
Bluetooth	
Bluetooth specification	Bluetooth® Version 5.2
Profile Support	A2DP, AVRCP
Bluetooth Audio CODEC	SBC, AAC (MPEG2)
Transmitting Power Specification	Power Class 2
Line of sight range	10meters / 30feet
Speaker Output Power	
	15W at 100Hz
Headphones Socket	
	3.5mm dia. Stereo jack
	1mW + 1mW
Aux In Socket	
	3.5mm dia. Stereo jack
Input sensitivity	
	input: 300mV; output: 15W at 100Hz.
USB Type-C socket	
	5V / 3A Max. (Standby mode)
	5V / 1.5A Max. (Power on mode, except AM mode)
Operating temperature range	
	0°C to +35°C

※ The barcode label on the product is defined as below:



Sangean reserves the right to amend the specifications without notice.

 RECYCLING This product bears the selective sorting symbol for Waste electrical and electronic equipment (WEEE). This means that this product must be handled pursuant to European directive 2012/19/EU in order to be recycled or dismantled to minimize its impact on the environment.