

**Use & Care Guide**  
**Manual de Uso y Cuidado**

English / Español

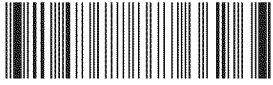
Model/Modelo: 796.8127#, 796.9127#

# Kenmore®

## Dryer

## Secadora

# = color number, numero de color



P/N MFL62512877

Sears Brand Management Corporation  
Hoffman Estates, IL 60179 U.S.A.

[www.kenmore.com](http://www.kenmore.com)  
[www.sears.com](http://www.sears.com)



## TABLE OF CONTENTS

<b>IMPORTANT SAFETY INSTRUCTIONS</b> .....	3-6
<b>GROUNDING REQUIREMENTS</b> .....	4
<b>FEATURES AND BENEFITS</b>	
Key Parts and Components .....	7
<b>INSTALLATION INSTRUCTIONS</b>	
Key Dimensions and Specifications .....	8
Location Requirements .....	8
Choose the Proper Location .....	8
Clearances .....	8
Installation with Optional Pedestal Base or Stacking Kit .....	9
Optional Accessories .....	9
Connecting Gas Dryers .....	10
Gas Requirements (Gas Models Only) .....	10-11
Electrical Requirements .....	10&12
Connecting Electrical Dryers .....	12-13
Venting the Dryer .....	14-15
Leveling the Dryer .....	16
Reversing the Door Swing .....	16
Final Installation Check .....	17
<b>HOW TO USE</b>	
Control Panel Features .....	18
Operating the Dryer .....	19
Cycle Guide .....	20-21
Sorting Loads .....	22
Loading the Dryer .....	22
Time and Status Display .....	23
Cycle Modifier Buttons .....	24
Cycle Options and Special Features .....	25
Wrinkle Guard .....	25
Control Lock .....	25
My Cycle .....	25
Damp Dry Signal .....	25
Installing and Using the Drying Rack .....	25
<b>USER MAINTENANCE INSTRUCTIONS</b>	
Regular Cleaning .....	26
Cleaning the Exterior .....	26
Cleaning the Interior .....	26
Cleaning Around and Under the Dryer .....	26
Cleaning the Lint Filter .....	26
Maintaining the Exhaust System .....	27
<b>KENMORE CONNECT</b> .....	28
<b>TROUBLESHOOTING GUIDE</b>	
Before Calling for Service .....	29-31
<b>WARRANTY</b> .....	32
<b>SERVICE</b> .....	Back Cover

## PRODUCT RECORD

In the space below, record the date of purchase, model, and serial number of your product. You will find the model and serial number printed on an identification plate located inside the dryer door. Have these items of information available whenever you contact Sears concerning your product.

Model No. \_\_\_\_\_

Date of Purchase \_\_\_\_\_

Serial No. \_\_\_\_\_

Save these instructions and your sales receipt for future reference.

## PROTECTION AGREEMENTS

### Master Protection Agreements

Congratulations on making a smart purchase. Your new Kenmore® product is designed and manufactured for years of dependable operation. But like all products, it may require preventive maintenance or repair from time to time. That's when having a Master Protection Agreement can save you money and aggravation.

The Master Protection Agreement also helps extend the life of your new product. Here's what the Agreement\* includes:

- **Parts and labor** needed to help keep products operating properly **under normal use**, not just defects. Our coverage goes **well beyond the product warranty**. No deductible, no functional failure excluded from coverage – **real protection**.
- **Expert service** by a force of more than 10,000 authorized **Sears service technicians**, which means someone you can trust will be working on your product.
- **Unlimited service calls and nationwide service**, as often as you want us, whenever you want us.
- **"No-lemon" guarantee** – replacement of your covered product if four or more product failures occur within 12 months.
- **Product replacement** if your covered product can not be fixed.
- **Annual Preventive Maintenance Check** at your request – no extra charge.
- **Fast help by phone** – we call it **Rapid Resolution**. Phone support from a Sears representative on all products. Think of us as a "talking owner's manual."
- **Power surge protection** against electrical damage due to power fluctuations.
- **\$250 food loss protection annually** for any food spoilage that is the result of mechanical failure of any covered refrigerator or freezer.
- **Rental reimbursement** if repair of your covered product takes longer than promised.
- **10% discount** off the regular price of any non-covered repair service and related installed parts.

Once you purchase the Agreement, a simple phone call is all that it takes for you to schedule service. You can call at any time day or night or schedule a service appointment online.

The Master Protection Agreement is a risk-free purchase. If you cancel for any reason during the product warranty period, we will provide a full refund, or a prorated refund anytime after the product warranty period expires. Purchase your Master Protection Agreement today!

**Some limitations and exclusions apply.**

**For prices and additional information in the U.S.A. call 1-800-827-6655.**

**\*Coverage in Canada varies on some items.**

**For full details call Sears Canada at 1-800-361-6665.**


### Sears Installation Service

For Sears professional installation of home appliances, garage door openers, water heaters, and other major home items, in the U.S.A. or Canada call: 1-800-4-MY-HOME®.

# READ ALL INSTRUCTIONS BEFORE USE

## Your safety and the safety of others is very important.


We have provided many important safety messages in this manual and on your appliance. Always read and obey all safety messages.

 This is the safety alert symbol.


This symbol alerts you to potential hazards that can kill or hurt you and others.

All safety messages will follow the safety alert symbol and either the word DANGER or WARNING.


These words mean:

 **DANGER:** Indicates a hazardous situation which, if not avoided, will result in death or serious injury.

 **WARNING:** Indicates a hazardous situation which, if not avoided, could result in death or serious injury.

 **CAUTION:** Indicates a hazardous situation which, if not avoided, could result in minor or moderate injury.

All safety messages will tell you what the potential hazard is, tell you how to reduce the chance of injury, and tell you what can happen if the instructions are not followed.

 **WARNING:** For your safety, the information in this manual must be followed to minimize the risk of fire or explosion, electric shock, or to prevent property damage, personal injury, or loss of life.

- Do not install a clothes dryer with flexible plastic venting materials. If a flexible metal (foil type) duct is installed, it must be of a specific type identified by the appliance manufacturer as suitable for use with clothes dryers. Flexible venting materials are known to collapse, be easily crushed, and trap lint. These conditions will obstruct clothes dryer airflow and increase the risk of fire.
- Do not store or use gasoline or other flammable vapors and liquids in the vicinity of this appliance or any other appliances.
- Installation and service must be performed by a qualified installer, service agency, or the gas supplier.
- Install the clothes dryer according to the manufacturer's instructions and local codes.
- Save these instructions.

## WHAT TO DO IF YOU SMELL GAS:

1. Do not try to light a match or cigarette, or turn on any gas or electrical appliance.
2. Do not touch any electrical switches. Do not use any phones in your building.
3. Clear the room, building, or area of all occupants.
4. Immediately call your gas supplier from a neighbor's phone. Carefully follow the gas supplier's instructions.
5. If you cannot reach your gas supplier, call the fire department.

**SAVE THESE INSTRUCTIONS**

## BASIC SAFETY PRECAUTIONS

**⚠ WARNING:** To reduce the risk of fire, electric shock, or injury to persons when using this appliance, follow basic precautions, including the following:

- Read all instructions before using the dryer.
- Before use, the dryer must be properly installed, as described in this manual.
- Do not place items exposed to cooking oils in your dryer. Items contaminated with cooking oils may contribute to a chemical reaction that could cause a load to catch fire.
- Do not dry articles that have been previously cleaned in, washed in, soaked in, or spotted with gasoline, dry-cleaning solvents, or other flammable or explosive substances, as they give off vapors that could ignite or explode.
- Do not reach into the dryer if the drum or any other part is moving.
- Do not repair or replace any part of the dryer or attempt any servicing unless specifically recommended in this Use and Care Guide or in published user-repair instructions that you understand and have the skills to carry out.
- Do not tamper with controls.
- Before the dryer is removed from service or discarded, remove the door to the drying compartment.
- Do not allow children to play on or in the dryer. Close supervision of children is necessary when the dryer is used near children.
- Do not use fabric softeners or products to eliminate static unless recommended by the manufacturer of the fabric softener or product.
- Do not use heat to dry articles containing foam rubber or similarly textured rubber-like materials.
- Keep area around the exhaust opening and adjacent surrounding areas free from the accumulation of lint, dust, and dirt.
- The interior of the dryer and exhaust vent should be cleaned periodically by qualified service personnel.
- Do not install or store the dryer where it will be exposed to the weather.
- Always check the inside of the dryer for foreign objects.
- Clean the lint filter before or after each load.

## CALIFORNIA SAFE DRINKING WATER AND TOXIC ENFORCEMENT ACT

This act requires the Governor of California to publish a list of substances known to the state to cause cancer, birth defects, or other reproductive harm and requires businesses to warn customers of potential exposure to such substances. Gas appliances can cause minor exposure to four of these substances, namely benzene, carbon monoxide, formaldehyde, and soot, caused primarily by the incomplete combustion of natural gas or LP fuels.

Properly adjusted dryers will minimize incomplete combustion. Exposure to these substances can be minimized further by properly venting the dryer to the outdoors.

## GROUNDING REQUIREMENTS

This appliance must be grounded. In the event of malfunction or breakdown, grounding will reduce the risk of electric shock by providing a path of least resistance for electric current. This appliance must be equipped with a cord having an equipment-grounding conductor and a grounding plug. The plug must be plugged into an appropriate outlet that is properly installed and grounded in accordance with all local codes and ordinances.

**⚠ WARNING:** Improper connection of the equipment-grounding conductor can result in a risk of electric shock. Check with a qualified electrician or service person if you are in doubt as to whether the appliance is properly grounded. Do not modify the plug provided with the appliance. If it will not fit the outlet, have a proper outlet installed by a qualified electrician. This appliance must be connected to a grounded metal, permanent wiring system or an equipment grounding conductor must be run with the circuit conductors and connected to the equipment grounding terminal or lead on the appliance. Electrical shock can result if the dryer is not properly grounded.

## SAFETY INSTRUCTIONS FOR INSTALLATION

**⚠ WARNING:** To reduce the risk of fire, electric shock, or injury to persons when using this appliance, follow basic precautions, including the following:

- **Properly ground dryer to conform with all governing codes and ordinances.** Follow details in the installation instructions. Electrical shock can result if the dryer is not properly grounded.
- **Before use, the dryer must be properly installed as described in this manual.** Electrical shock can result if the dryer is not properly grounded.
- **Install and store the dryer where it will not be exposed to temperatures below freezing or exposed to the weather.**
- **All repairs and servicing must be performed by an authorized service technician unless specifically recommended in this Use & Care Guide. Use only authorized factory parts.** Failure to follow this warning can cause serious injury, fire, electrical shock, or death.
- **To reduce the risk of electrical shock, do not install the dryer in humid spaces.** Failure to follow this warning can cause serious injury, fire, electrical shock, or death.
- **Connect to a properly rated, protected, and sized power circuit to avoid electrical overload.** Improper power circuits can melt, creating risk of electrical shock and/or fire hazard.
- **Remove all packing items and dispose of all shipping materials properly.** Failure to do so can result in death, fire, explosion, burns, or death.
- **Place dryer at least 18 inches above the floor for a garage installation.** Failure to do so can result in fire, explosion, burns, or death.
- **Keep all packaging from children.** Packaging material can be dangerous for children. There is a risk of suffocation.
- **Do not install near items that produce heat or open flame** such as stoves or cooking ovens. Failure to follow this warning can cause product deformation, smoke and fire.
- **Do not place candles or cigarettes on top of the product.** Failure to follow this warning can cause product deformation, smoke and fire.
- **Remove all protective vinyl film from the product.** Failure to do so can cause product deformation, smoke and fire.

## Exhaust/Ducting:

- **Gas dryers MUST be exhausted to the outside.** Failure to follow these instructions can result in fire or death.
- **The dryer exhaust system must be exhausted to the outside of the dwelling. If the dryer is not exhausted outdoors, some fine lint and large amounts of moisture will be expelled into the laundry area.** An accumulation of lint in any area of the home can create a health and fire hazard.
- **Use only rigid metal or flexible metal 4 inch diameter duct inside the dryer cabinet or for exhausting to the outside. Use of plastic or other combustible ductwork can cause a fire. Punctured ductwork can cause a fire if it collapses or becomes otherwise restricted in use or during installation.**
- **Ductwork is not provided with the dryer, and you should obtain the necessary ductwork locally. The end cap should have hinged dampers to prevent backdraft when the dryer is not in use.** Failure to follow these instructions can result in fire or death.
- **The exhaust duct must be 4 inches (10.2 cm) in diameter with no obstructions. The exhaust duct should be kept as short as possible. Make sure to clean any old ducts before installing your new dryer.** Failure to follow these instructions can result in fire or death.
- **Rigid or semi rigid metal ducting is recommended for use between the dryer and the wall. In special installations when it is impossible to make a connection with the above recommendations, a UL listed flexible metal transition duct may be used between the dryer and wall connection only. The use of this ducting will affect drying time.** Failure to follow these instructions can result in fire or death.
- **DO NOT use sheet metal screws or other fasteners which extend into the duct that could catch lint and reduce the efficiency of the exhaust system.** Secure all joints with duct tape. For complete details, follow the Installation Instructions. Failure to follow these instructions can result in fire or death.

**⚠ WARNING:** To reduce the risk of fire, electric shock, or injury to persons when using this appliance, follow basic precautions, including the following:

## **SAFETY INSTRUCTIONS FOR CONNECTING ELECTRICITY**

**⚠ WARNING:** To reduce the risk of fire, electric shock, or injury to persons when using this appliance, follow basic precautions, including the following:

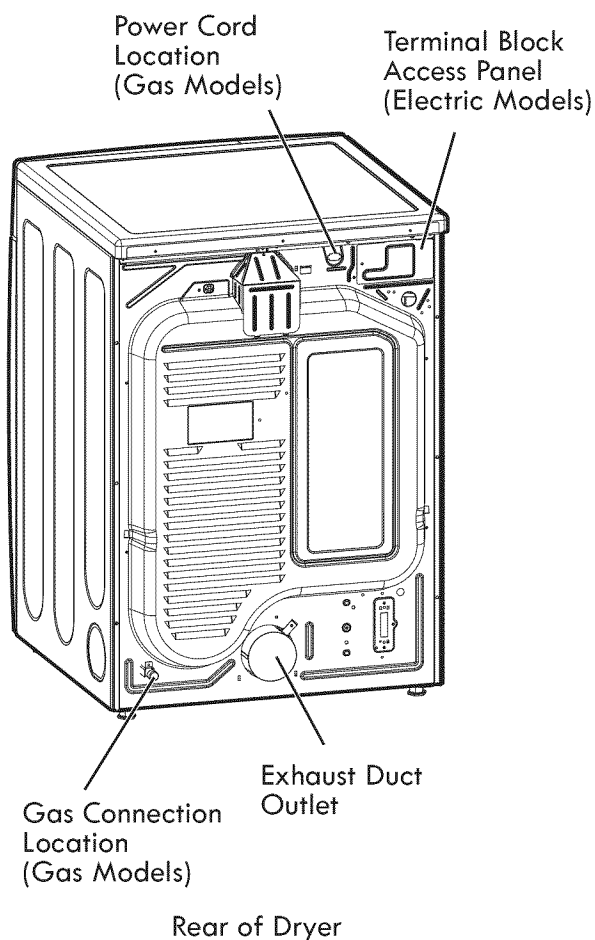
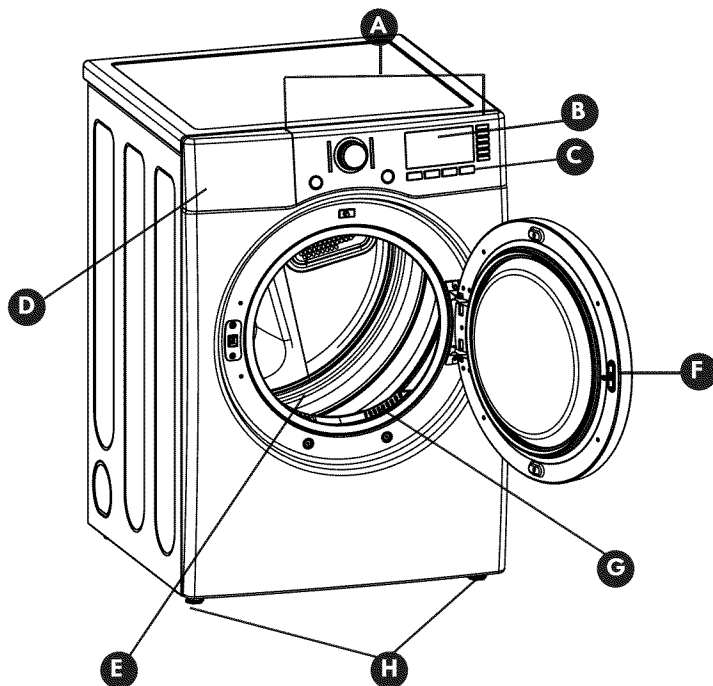
- **Do not, under any circumstances, cut or remove the ground prong from the power cord.** To prevent personal injury or damage to the dryer, the electrical power cord must be plugged into a properly grounded outlet.
- **For personal safety, this dryer must be properly grounded.** Failure to do so can result in electrical shock or injury.
- **Refer to the installation instructions in this manual for specific electrical requirements for your model.** Failure to follow these instructions can create an electrical shock hazard and/or a fire hazard.
- **This dryer must be plugged into a properly grounded outlet. Electrical shock can result if the dryer is not properly grounded. Have the wall outlet and circuit checked by a qualified electrician to make sure the outlet is properly grounded.** Failure to follow these instructions can create an electrical shock hazard and/or a fire hazard.
- **The dryer should always be plugged into its own individual electrical outlet which has a voltage rating that matches the rating plate.** This provides the best performance and also prevents overloading house wiring circuits which could cause a fire hazard from overheated wires.
- **Never unplug your dryer by pulling on the power cord. Always grip the plug firmly and pull straight out from the outlet.** The power cord can be damaged, resulting in a risk of fire and electrical shock.
- **Repair or replace immediately all power cords that have become frayed or otherwise damaged. Do not use a cord that shows cracks or abrasion damage along its length or at either end.** The power cord can melt, creating electrical shock and/or fire hazard.
- **When installing or moving the dryer, be careful not to pinch, crush, or damage the power cord.** This will prevent injury and prevent damage to the dryer from fire and electrical shock.

**SAVE THESE INSTRUCTIONS**

## KEY PARTS AND COMPONENTS

There are several important components that are referenced in this manual.

- A EASY-TO-USE CONTROL PANEL**  
Rotate the cycle selector knob to select the desired dry cycle. Add cycle options or adjust settings with the touch of a button.
- B TIME AND STATUS DISPLAY**  
The easy-to-read LED display shows cycle status and estimated time remaining.
- C CYCLE MODIFIERS**  
Adjust the cycle settings such as temperature and dry level with the touch of a button.  
**NOTE:** Not all settings are available for all cycles.
- D CHECK VENT**  
(Duct Blockage Sensing System)  
The Check Vent (Duct blockage sensing system) detects and alerts you to blockages in the exhaust system that reduce airflow from the dryer. Maintaining clean exhaust system ducts improves operating efficiency and helps minimize service calls, saving you money.
- E ULTRA-CAPACITY DRUM**  
The ultra-large drum offers superior durability.
- F EASY-ACCESS REVERSIBLE DOOR**  
The wide-opening, see-through glass door provides easy access for loading and unloading. Door swing can be reversed to adjust for installation location.
- G FRONT-MOUNT LINT FILTER**  
The front-mount lint filter allows for easy access and cleaning between loads.
- H LEVELING FEET**  
Four leveling feet (two in front, and two in back) adjust to improve dryer stability on uneven floors.



## KEY DIMENSIONS AND SPECIFICATIONS

Description	Dryer (Gas and Electric)
Electrical Requirements	Refer to the rating label
Gas Requirements* NG:	4–10.5 inches WC (Water Column)
Gas Requirements* LP:	8–13 inches WC
Dimensions	27 in. (W) X 30 1/4 in. (D) X 38 in. (H), 52 1/4 in. (D with door open) 68.6 cm (W) X 76.7 cm (D) X 96.5 cm (H), 132.7 cm (D with door open)
Net Weight	Electric : 147 lb. (66.7 kg) Gas : 150.5 lb. (68.3 kg)
Drying Capacity	IEC 7.3 cu. ft.

\*Gas Models Only

### LOCATION REQUIREMENTS

**IMPORTANT:** Read all installation instructions completely before installing and operating your dryer. It is important that you review this entire manual before installing and using your dryer. It contains detailed instructions concerning electrical connections, gas connections and exhaust requirements.

### CHOOSE THE PROPER LOCATION

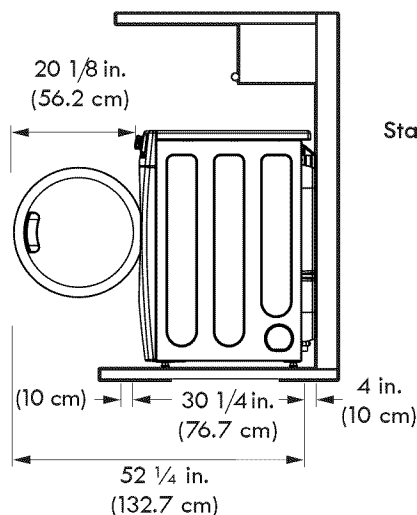
- Store and install the dryer where it will not be exposed to temperatures below freezing or exposed to outdoor weather conditions.
- Choose a location with a solid, level floor.
- If the dryer is being installed in a garage, place the dryer at least 18 inches (45.7cm) above the floor.
- Properly ground the dryer to conform with all governing codes and ordinances.
- To reduce the risk of electric shock, do not install the dryer in damp or wet locations.

**IMPORTANT:** If you are installing your dryer in a manufactured or mobile home, please refer to the Special Electrical Requirements for Mobile or Manufactured Homes section.

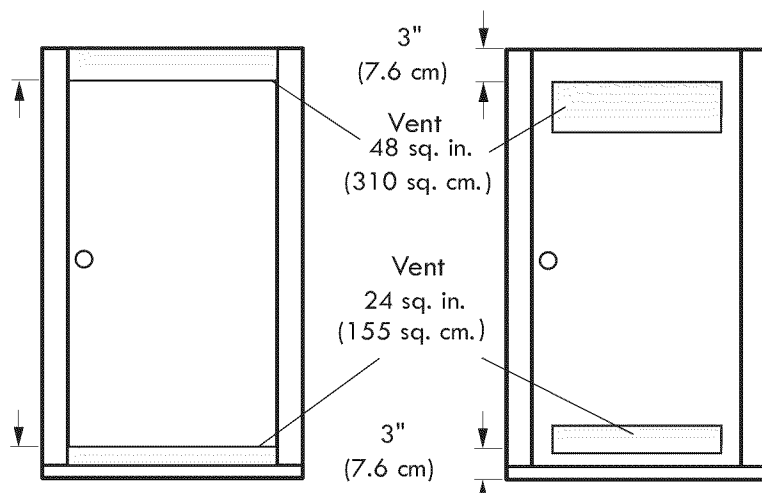
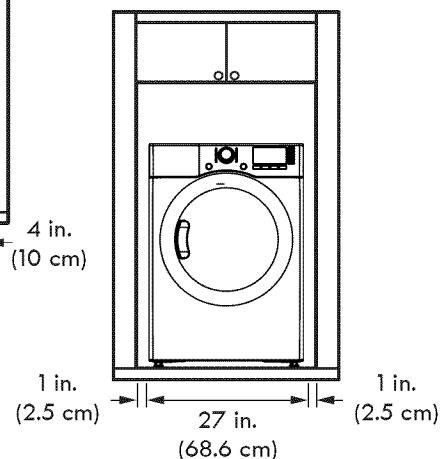
### CLEARANCES

- Most installations require a minimum 5 1/2 inch (14 cm) clearance behind the dryer for the exhaust ducting.
- Allow minimum clearances of at least 1 inch (2.5 cm) on the sides and back to minimize vibration and noise.
- Allowing additional clearance for installation and servicing is recommended.
- Be sure to allow for wall, door, or floor moldings that may increase the required clearances.
- Allow at least 21 inches (53.3 cm) in front of the dryer to open the door.

Standard Installation – Side View



Standard Installation – Front View



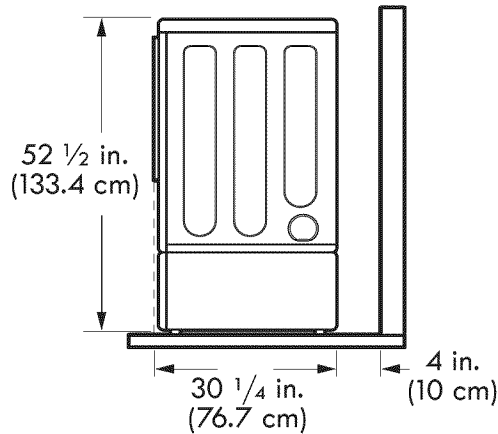
#### Additional instructions for closet installations:

The closet door must allow for sufficient airflow. Refer to the diagram above for minimum vent opening requirements. A louvered door is also acceptable.

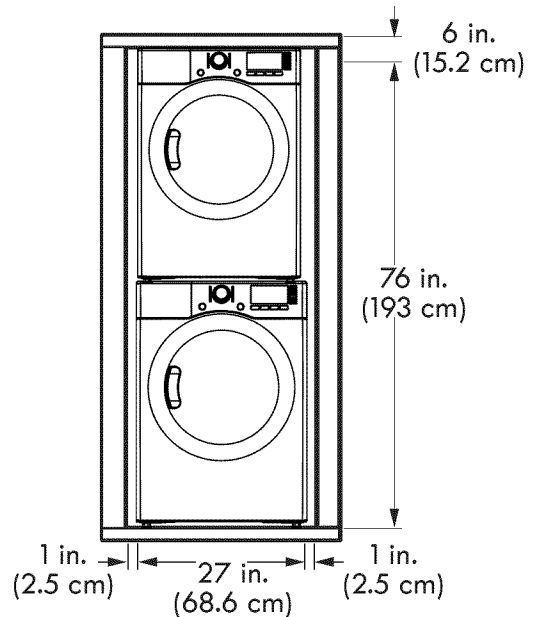
**INSTALLATION WITH OPTIONAL PEDESTAL BASE OR STACKING KIT**

**IMPORTANT:** If you are installing your dryer using an optional pedestal base or stacking kit, refer to the instructions included with the accessory.

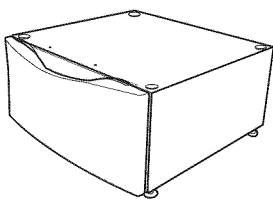
Required Dimensions for Installation with Pedestal



Required Dimensions for Installation with Stacking Kit



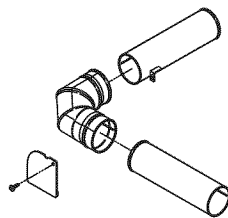
**OPTIONAL ACCESSORIES**



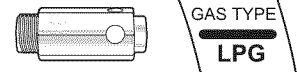
Use a pedestal to make laundry easier to reach.  
 White = 796.51022  
 Ginger = 796.51028  
 Chili Pepper = 796.51029



Use the stacking kit to mount the dryer on top of the washer to save floor space.  
 Chrome = D26 17013



Use the side vent kit for venting directly to either side or to the bottom. Gas dryers can only vent to the left.  
 Kit # D26-49670



Use the LP conversion kit for changing the dryer gas connections from natural gas (NG) to propane gas (LP).  
 Part No. 383EEL3002D

**NOTE:** Installation of the LP conversion kit must be performed by a qualified service technician.

## CONNECTING GAS DRYERS

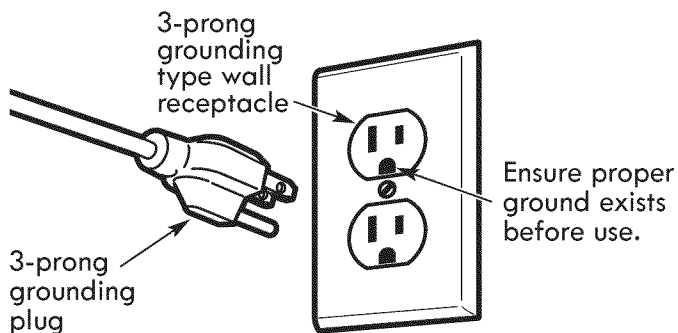
### GAS REQUIREMENTS (GAS MODELS ONLY)

**! WARNING:** To reduce the risk of fire, electric shock, or injury to persons when using this appliance, follow basic precautions, including the following:

- **Gas supply requirements:** As shipped from the factory, this dryer is configured for use with natural gas (NG). It can be converted for use with propane (LP) gas. Gas pressure must not exceed 8 inches water column for (NG), or 13 inches water column for (LP).
- **A qualified service or gas company technician must connect the dryer to the gas service.** Failure to follow these instructions can result in fire, explosion, or death.
- **Isolate the dryer from the gas supply system by closing its individual manual shutoff valve during any pressure testing of the gas supply.** Failure to do so can result in fire, explosion, or death.
- **Supply line requirements:** Your laundry room must have a rigid gas supply line to your dryer. In the United States, an individual manual shutoff valve **MUST** be installed within at least 6 ft. (1.8 m) of the dryer, in accordance with the National Fuel Gas Code ANSI Z223.1 or Canadian gas installation code CSA B149.1. A 1/8 inch NPT pipe plug must be installed. Failure to do so can result in fire, explosion, or death.
- **If using a rigid pipe, the rigid pipe should be 1/2 inch IPS.** If acceptable under local codes and ordinances and when acceptable to your gas supplier, 3/8 inch approved tubing may be used where lengths are less than 20 ft. (6.1 m). Larger tubing should be used for lengths in excess of 20 ft. (6.1 m). Failure to do so can result in fire, explosion, or death.
- **Connect the dryer to the type of gas shown on the nameplate.** Failure to do so can result in fire, explosion, or death.
- **To prevent contamination of the gas valve, purge the gas supply of air and sediment before connecting the gas supply to the dryer. Before tightening the connection between the gas supply and the dryer, purge remaining air until the odor of gas is detected.** Failure to do so can result in fire, explosion, or death.
- **DO NOT use an open flame to inspect for gas leaks. Use a noncorrosive leak detection fluid.** Failure to do so can result in fire, explosion, or death.
- **Use only a new AGA- or CSA-certified gas supply line with flexible stainless steel connectors.** Failure to do so can result in fire, explosion, or death.
- **Securely tighten all gas connections.** Failure to do so can result in fire, explosion, or death.
- **Use Teflon tape or a pipe-joint compound that is insoluble in propane (LP) gas on all pipe threads.** Failure to do so can result in fire, explosion, or death.
- **DO NOT attempt any disassembly of the dryer; disassembly requires the attention and tools of an authorized and qualified service technician or company.** Failure to follow this warning can result in fire, explosion, or death.

### ELECTRICAL REQUIREMENTS FOR GAS MODELS ONLY

- **Do not, under any circumstances, cut or remove the third (ground) prong from the power cord.** Failure to follow this warning can result in fire, explosion, or death.
- **For personal safety, this dryer must be properly grounded.** Failure to follow this warning can result in fire, explosion, or death.
- **The power cord of this dryer is equipped with a 3-prong (grounding) plug which mates with a standard 3-prong (grounding) wall outlet to minimize the possibility of electric shock hazard from this appliance.** Failure to follow this warning can result in fire, explosion, or death.
- **This dryer must be plugged into a 120-VAC, 60-Hz. grounded outlet protected by a 15-ampere fuse or circuit breaker.** Failure to follow this warning can result in fire, explosion, or death.
- **Where a standard 2-prong wall outlet is encountered, it is your personal responsibility and obligation to have it replaced with a properly grounded 3-prong wall outlet.** Failure to follow this warning can result in fire, explosion, or death.



**CONNECTING GAS DRYERS (continued)**

**⚠ WARNING:** To reduce the risk of fire, electric shock, or injury to persons when using this appliance, follow basic precautions, including the following:

- **Installation and service must be performed by a qualified installer, service agency, or the gas supplier.** Failure to do so can result in fire, explosion, or death.
- **Use only a new stainless steel flexible connector and a new AGA-certified connector.** Failure to do so can result in fire, explosion, or death.
- **A gas shutoff valve must be installed within 6 ft. (1.8 m) of the dryer.** Failure to do so can result in fire, explosion, or death.
- **The dryer is configured for natural gas when shipped from the factory. Make sure that the dryer is equipped with the correct burner nozzle for the type of gas being used (natural gas or propane gas).** Failure to do so can result in fire, explosion, or death.
- **If necessary, the correct nozzle (for the LP nozzle kit, order part number 383EEL3002D) should be installed by a qualified technician and the change should be noted on the dryer.** Failure to do so can result in fire, explosion, or death.
- **All connections must be in accordance with local codes and regulations.** Failure to do so can result in fire, explosion, or death.
- **Gas dryers MUST exhaust to the outdoors.** Failure to do so can result in fire, explosion, or death.

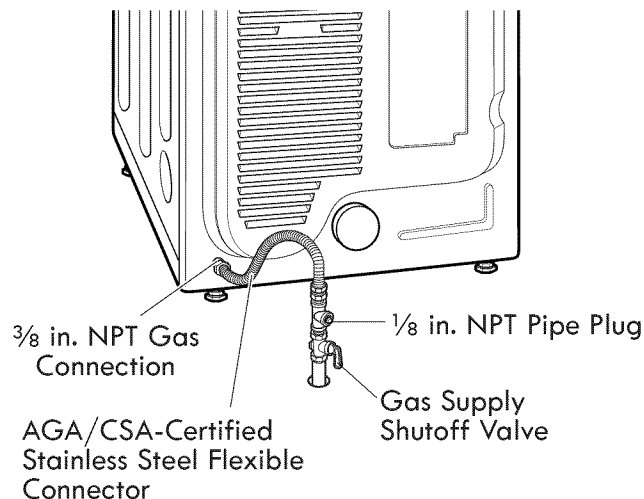
**Connecting the Gas Supply**

**NOTE:** This dryer is configured from the factory set for natural gas (NG). If dryer is to be used with propane (LP) gas, it must be converted by a qualified service technician.

- 1 Make sure that the gas supply to the laundry room is turned OFF and the dryer is unplugged. Confirm that the type of gas available in your laundry room is appropriate for the dryer.
- 2 Remove the shipping cap from the gas fitting at the back of the dryer. Be careful not to damage the threads of the gas connector when removing the shipping cap.
- 3 Connect the dryer to your laundry room's gas supply using a new flexible stainless steel connector with a 3/8 inches NPT fitting.

**NOTE:** DO NOT use old connectors.

- 4 Securely tighten all connections between the dryer and your laundry room's gas supply.
- 5 Turn on the gas supply.
- 6 Check all pipe connections (both internal and external) for gas leaks with a noncorrosive leak-detection fluid.
- 7 Proceed to Venting the Dryer.



**High-Altitude Installations**

The BTU rating of this dryer is AGA-certified for elevations below 10,000 feet.

If your gas dryer is being installed at an elevation above 10,000 feet, it must be derated by a qualified technician or gas supplier.

## CONNECTING ELECTRIC DRYERS

### ELECTRICAL REQUIREMENTS

**⚠ WARNING:** To help prevent fire, electrical shock, serious injury, or death, the wiring and grounding must conform to the latest edition of the National Electrical Code, ANSI/NFPA 70 and all applicable local regulations. Please contact a qualified electrician to check your home's wiring and fuses to ensure that your home has adequate electrical power to operate the dryer.

#### Special Electrical Requirements for Mobile or Manufactured Homes

**⚠ WARNING:** To reduce the risk of fire, electric shock, or injury to persons when using this appliance, follow basic precautions, including the following:

- Any installation in a manufactured or mobile home must comply with the **Manufactured Home Construction and Safety Standards Title 24 CFR, Part 3280 or Standard CAN/CSA Z240 MH and local codes and ordinances.**
- A 4-wire connection is required for all mobile and manufactured home installations, as well as all new construction after January 1, 1996. Failure to do so can result in fire, explosion, or death.

#### Electrical Requirements for Electric Models Only

**⚠ WARNING:** To reduce the risk of fire, electric shock, or injury to persons when using this appliance, follow basic precautions, including the following:

- This dryer must be connected to a grounded metal, permanent wiring system, or an equipment grounding conductor must be run with the circuit conductors and connected to the equipment grounding terminal or lead on the dryer. Failure to do so can result in fire, explosion, or death.
- The dryer has its own terminal block that must be connected to a separate 240 VAC, 60-Hertz, single phase circuit, fused at 30 amperes (the circuit must be fused on both sides of the line). **ELECTRICAL SERVICE FOR THE DRYER SHOULD BE OF THE MAXIMUM RATE VOLTAGE LISTED ON THE NAMEPLATE. DO NOT CONNECT DRYER TO 110-, 115-, OR 120-VOLT CIRCUIT.** Failure to follow these instructions can result in fire, explosion, or death.
- If branch circuit to dryer is 15 ft. (4.5 m) or less in length, use UL (Underwriters Laboratories) listed No.-10 AWG wire (copper wire only), or as required by local codes. If over 15 ft. (4.50 m), use UL-listed No.-8 AWG wire (copper wire only), or as required by local codes. Allow sufficient slack in wiring so dryer can be moved from its normal location when necessary. Failure to do so can result in fire, explosion, or death.
- The power cord (pigtail) connection between wall receptacle and dryer terminal block **IS NOT** supplied with the dryer. Type of pigtail and gauge of wire must conform to local codes and with instructions on the following pages. Failure to follow these instructions can result in fire, explosion, or death.
- A 4-wire connection is required for all new construction after January 1, 1996. A 4-wire connection must be used where local codes do not permit grounding through the neutral wire. Failure to do so can result in fire, explosion, or death.

CONNECTING ELECTRIC DRYERS (continued)

**! WARNING:**

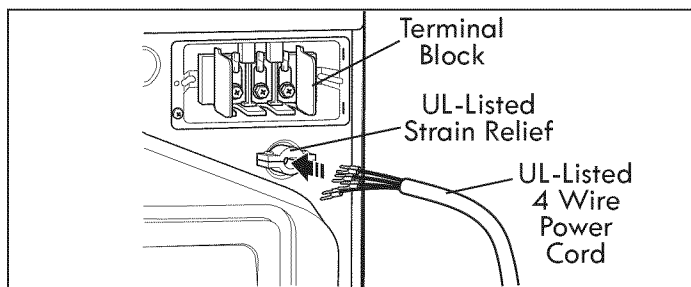
Connect the power cord to the terminal block. Connect each power cord wire to the terminal block screw that has the same colored wire. For example, connect the black power cord wire to the terminal block screw with the black wire. Failure to follow these instructions may result in a short, overload fire or death.

**Four-Wire Power Cord**

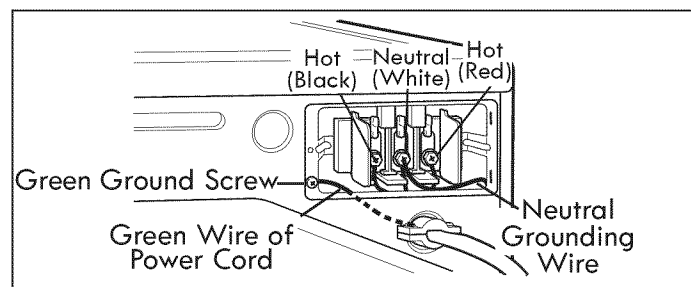


• A 4-wire connection is required for all mobile and manufactured home installations, as well as all new construction after January 1, 1996.

- A UL-listed strain relief is required.
- Use a **30-amp, 240-volt, 4-wire, UL-listed power cord with #10 AWG-minimum copper conductor** and closed loop or forked terminals with upturned ends.



- 1 Remove the terminal block access cover on the upper back of the dryer.
- 2 Install a UL-listed strain relief into the power cord through-hole.
- 3 Thread a 30-amp, 240-volt, 4-wire, UL-listed power cord with #10 AWG-minimum copper conductor through the strain relief.



- 4 Transfer the neutral grounding wire from behind the green ground screw to the center screw of the terminal block.
- 5 Attach the two hot leads (black and red) of the power cord to the outer terminal block screws.
- 6 Attach the power cord white neutral wire to the center screw of the terminal block.
- 7 Attach the power cord ground wire to the green ground screw.
- 8 **TIGHTEN ALL SCREWS SECURELY.**
- 9 Reinstall the terminal block access cover.

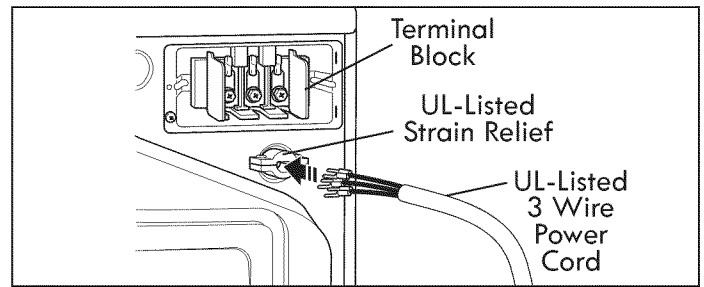
Grounding through the neutral wire is prohibited for: (1) new branch-circuit installations, (2) mobile homes, (3) recreational vehicles, and (4) areas where local codes prohibit grounding through the neutral wire.

**Three-Wire Power Cord**

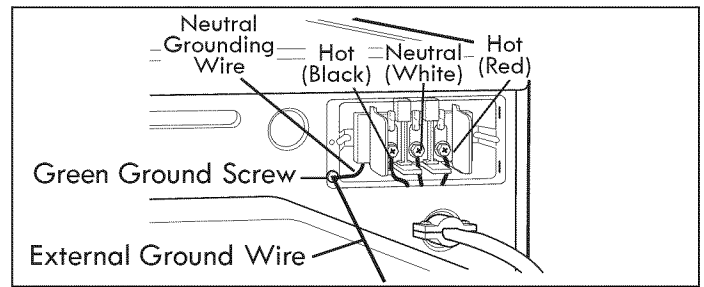


• A 3-wire connection is **NOT** permitted on new construction after January 1, 1996.

- A UL-listed strain relief is required.
- Use a **30-amp, 240-volt, 3-wire, UL-listed power cord with #10 AWG-minimum copper conductor** and closed loop or forked terminals with upturned ends.



- 1 Remove the terminal block access cover on the upper back of the dryer.
- 2 Install a UL-listed strain relief into the power cord through-hole.
- 3 Thread a 30-amp, 240-volt, 3-wire, UL-listed power cord with #10 AWG-minimum copper conductor through the strain relief.



- 4 Attach the two hot leads (black and red) of the power cord to the outer terminal block screws.
- 5 Attach the power cord neutral (white) wire to the center terminal block screw.
- 6 Connect the external ground (if required by local codes) to the green ground screw.
- 7 **TIGHTEN ALL SCREWS SECURELY.**
- 8 Reinstall the terminal block access cover.

VENTING THE DRYER

**IMPORTANT! CHECK YOUR EXHAUST SYSTEM FOR PROBLEMS**

The most common cause of dryer problems is poor exhaust venting. Before installing your new dryer, check the items listed below to make sure you get the best possible performance. This can save you time and money by reducing cycle times and increasing energy efficiency.

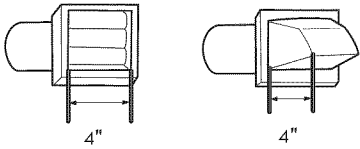
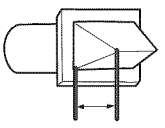
- **DIRTY OR DAMAGED EXHAUST DUCTS.** Lint builds up in exhaust ducts over time. This decreases the airflow and makes the dryer work harder. Visually inspect your ducts from both ends and have them cleaned if they have not been cleaned recently.
- **WRONG VENT MATERIAL.** Check your vent to make sure it is rigid or semi-rigid metal ducting. If your venting is plastic or flexible foil, have it replaced before using the dryer.

- **RESTRICTED OR DAMAGED VENT HOOD.** Check your vent hood outside. It must be clean and free of lint buildup. Check the damper and make sure it opens fully and easily.
- **EXCESSIVELY LONG VENT.** Measure the length of your exhaust system and count the elbows. Use the chart below to see if your duct is too long. If it is too long, have the duct routed to another location that is within the venting guidelines.
- **DO NOT USE PLASTIC OR FOIL VENTING.** The transition duct from your dryer to the wall must be rigid or semi-rigid metal ducting. If your old transition duct is plastic or foil, REPLACE IT with semi-rigid metal ducting.

Using the DUCT LENGTH CHART (below)

- 1 Find your vent hood type in the chart below.
- 2 Select the row that matches the number of elbows in your dryer duct run.
- 3 Look to the right of the elbow number for the maximum duct length for your installation. Longer duct length will result in reduced drying performance, longer dry times and increased energy consumption. Extremely long ducts can even shorten the life of the dryer.

DO NOT exceed the maximum length for the vent hood type and number of elbows used.

Vent Hood Type	Number of 90° Elbows	Maximum length of 4" (10.2 cm ) diameter rigid metal duct
<p>Recommended</p>  <p>4" (10.2 cm)      4" (10.2 cm)</p>	0	65 feet (19.8 m)
	1	55 feet (16.8 m)
	2	47 feet (14.3 m)
	3	36 feet (11.0 m)
	4	28 feet (8.5 m)
<p>Only for Short-Run Installations</p>  <p>6.35 cm</p>	0	55 feet (16.8 m)
	1	47 feet (14.3 m)
	2	41 feet (12.5 m)
	3	30 feet (9.1 m)
	4	22 feet (6.7 m)

**NOTE:** Deduct 6 ft. (1.8 m) for each additional elbow. Using more than four 90° elbows is not recommended.

## VENTING THE DRYER (continued)

### Routing and Connecting Ductwork

Follow the guidelines below to maximize dryer performance and reduce lint buildup and condensation in the ductwork.

**NOTE:** Transition duct (from dryer to wall) and fittings are NOT included and **must** be purchased separately.

- Use 4 inch (102mm) diameter rigid or semi-rigid metal duct.
- The exhaust duct run should be as short as possible.
- Use as few elbow joints as possible.
- The male end of each section of exhaust duct **must** point away from the dryer. See figure on lower right of page.
- Use duct tape on all joints. Never use screws.
- Insulate ducts that runs through unheated areas in order to reduce condensation and lint buildup on duct surfaces.
- The total length of semi-rigid metal transition duct should not exceed 8 ft. (2.4 m).

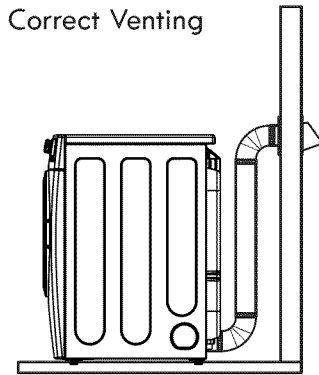
**⚠ WARNING:** Failure to follow these guidelines will result in poor performance, product failure, and/or result in fire or death.

**IMPORTANT:** Failure to exhaust the dryer, per the guidelines included within these instructions, may result in unsatisfactory dryer performance. All venting and ductwork beyond the exterior of the dryer is the responsibility of the consumer. Product failure, as a result of improper venting, is not covered by the dryer warranty.

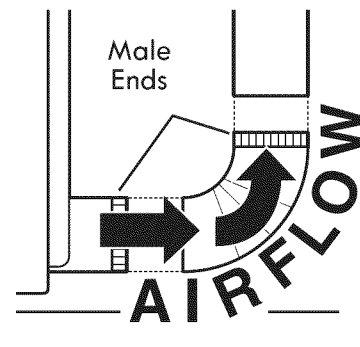
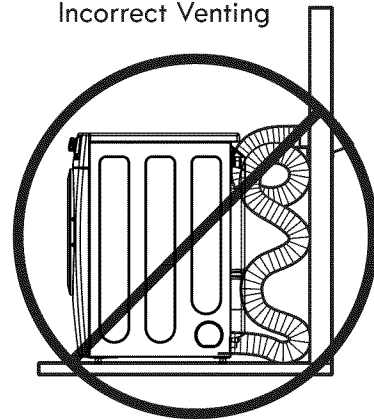
### Connecting the Dryer Vent

- 1 Verify all ducts and elbows are clean and free from any blockages.
- 2 Measure duct length. DO NOT exceed the maximum length listed in the Duct Length Chart.
- 3 Connect dryer exhaust to existing duct.
  - Only use duct tape or clamps.
  - DO NOT use screws to secure ductwork.
  - Use rigid or semi-rigid metal ducts.
  - DO NOT use plastic or thin metal foil tubing for ductwork.
  - The male end of each elbow must always point in the direction of the airflow.

Correct Venting



Incorrect Venting



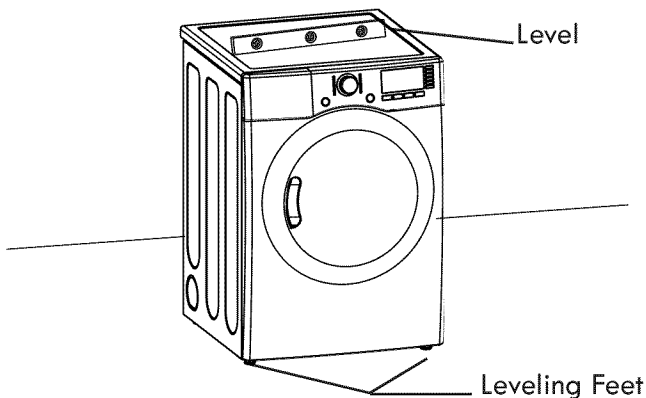
## LEVELING THE DRYER

### ⚠ WARNING:

- Wear gloves during installation.
- Failure to follow these instructions can result in injury.

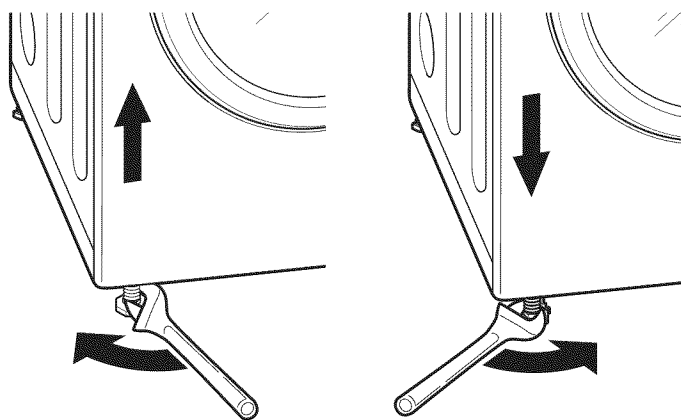
To ensure that the dryer provides optimal drying performance, it must be level. To minimize vibration, noise, and unwanted movement, the floor must be a level, solid surface.

**NOTE:** Adjust the leveling feet only as far as necessary to level the dryer. Extending the leveling feet more than necessary can cause the dryer to vibrate.



- 1 Position the dryer in the final location. Place a level across the top of the dryer.

All four leveling feet must rest solidly on the floor. Gently push on the top corners of the dryer to make sure that the dryer does not rock from corner to corner.



- 2 Use a wrench to turn the leveling feet. Turn the leveling foot clockwise to raise the dryer; turn the foot counterclockwise to lower the dryer. Using a level, adjust the feet until the dryer is level from side to side and front to back. Make sure all four feet are in firm contact with the floor.

**NOTE:** If you are installing the dryer on the optional pedestal, the dryer leveling feet should be fully retracted. Use the leveling feet on the pedestal to level the dryer.

## REVERSING THE DOOR SWING

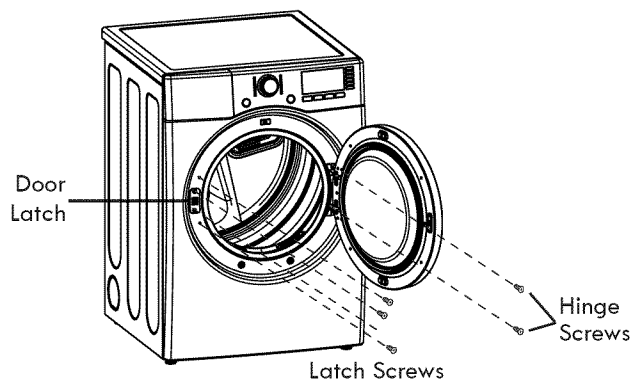
The swing of the dryer door can be reversed to fit your installation location.

### ⚠ WARNING:

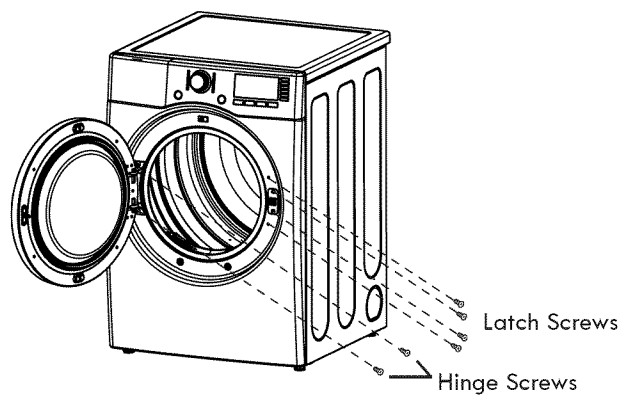
**THE DRYER DOOR IS VERY LARGE AND HEAVY.**

Failure to follow the instructions below can result in damage to the dryer, property damage or personal injury.

- To avoid damage to the dryer or the door, support the door with a stool or box that fits under the door, or have an assistant support the weight of the door.
- Always reverse the door BEFORE stacking the dryer on top of the washer
- Avoid dropping the door to avoid damage to the door or the floor.



- 1 Open the dryer door.
  - 2 Using a Phillips screwdriver, remove the two latch screws and the latch.
  - 3 Remove the two hole caps, one each above and below the latch by rotating them slightly clockwise.
  - 4 While supporting the weight of the door, remove the four hinge screws.
- ⚠ **CAUTION:** Be sure to support the weight of the door before removing the hinge screws.
- 5 Carefully turn the door upside down and reinstall it on the opposite side using the screws removed in step 4.

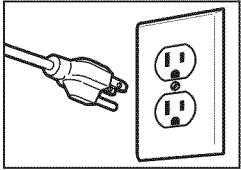


- 6 Install the door latch in the opening on the side from which the door was removed using the screws from step 2.
- 7 Install the hole caps removed in step 3 in the holes above and below the latch where the door was originally mounted.
- 8 Test the door for proper operation and make sure it latches properly.

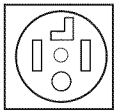
## FINAL INSTALLATION CHECK

Once you have completed the installation of the dryer and it is in its final location, confirm proper operation with the following steps and tests.

- 1 Is gas turned on? (Gas models only)
- 2 Is dryer plugged in? Dryer should always be plugged into the proper outlet.



Gas dryer should use a 120-VAC, 60-Hz. grounded 3-prong outlet.



Electric dryer should use a 4-wire connection which is required for all mobile and manufactured home installations, as well as all new construction after January 1, 1996.

-- OR --



A 3-wire connection.  
**NOTE:** A 3-wire connection is NOT permitted on new construction after January 1, 1996.

- 3 Is the dryer transition duct from dryer to wall connected? Make sure the transition duct behind the dryer is properly connected and is not crushed or damaged.
- 4 Is dryer level? Once the dryer is in its final location, recheck the dryer to be sure it is level. Make sure it is level front to back and side to side, and that all four leveling feet rest firmly on the floor.
- 5 Is the dryer heating normally? Perform the following dryer heating test.

## Testing Dryer Heating

- 1 Close the dryer door.
- 2 Press the POWER button to turn the dryer on.
- 3 Turn the cycle selector knob to Normal drying cycle.
- 4 Press the START/PAUSE to start the dryer. After three minutes, open the dryer door and check that the air inside is warm.

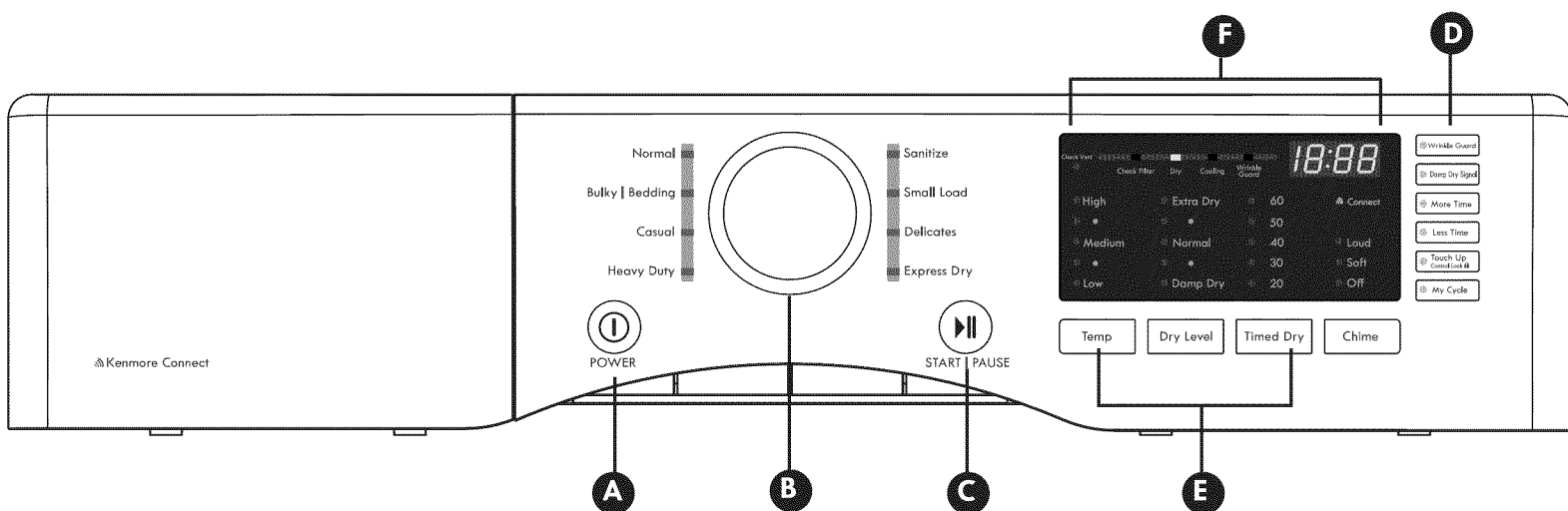
**NOTE:** If the air inside the dryer is not warm after three minutes, there may be air in the gas supply line to the dryer, and the gas igniter may turn off before the main burner ignites. When this happens, the igniter will continue to attempt main burner ignition until all air is purged from the line. Once ignition occurs, the air inside the dryer will become warm.

## Checking Venting

Vent ductwork should be checked for lint buildup and cleaned at least once per year. If any noticeable reduction in drying performance occurs, check duct for obstructions and blockages.

**! WARNING:** To reduce the risk of fire, electric shock, or injury to persons, read this entire manual, including the Important Safety Instructions, before operating this dryer.

## CONTROL PANEL FEATURES



### A POWER (ON/OFF) BUTTON

Press to turn the dryer ON or OFF. Pressing the POWER button during a cycle will cancel that cycle and any settings will be lost.

### B CYCLE SELECTOR KNOB

The cycle selector knob is used to select the desired dry cycle by rotating the knob in either direction until the desired cycle LED is illuminated. Once the desired cycle has been selected, the standard presets for that cycle will show in the display. These settings can be adjusted using the cycle modifier or option buttons any time before starting the cycle.

### C START/PAUSE BUTTON

Press this button to start the selected cycle. The dryer will display the estimated time (AUTO DRY) or set time (TIMED DRY) remaining and start tumbling. To pause the cycle at any time, open the dryer door or press START/PAUSE. To resume the cycle where it was stopped, press START/PAUSE again.

**NOTE:** If the dryer has been stopped for more than four minutes, the dryer will turn off automatically.

### D OPTION BUTTONS

These buttons allow you to select cycle options. Some of the option buttons have secondary functions. The controls can be locked or unlocked by pressing and holding the CONTROL LOCK button for five seconds.

### E CYCLE MODIFIER BUTTONS

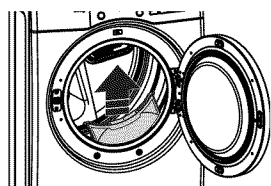
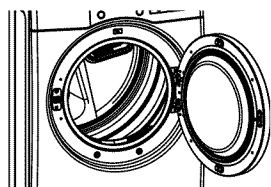
Use these buttons to adjust the settings for the selected cycle. The settings light up above the buttons to show the current selection. The default temperature setting cannot be changed in AUTO DRY cycles. AUTO DRY cycles are modified using the DRY LEVEL button.

### F TIME AND STATUS DISPLAY

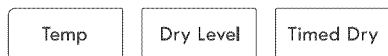
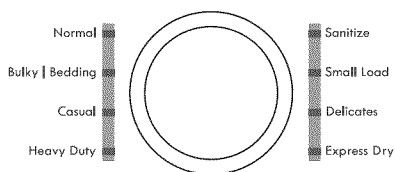
The display shows the estimated time remaining for auto cycles and actual time for timed cycles. The status of the cycle is also displayed. The CHECK VENT indicator will illuminate if there is a serious restriction in the exhaust system.

**NOTE:** To protect your fabrics, not all settings are allowed in all cycles.

OPERATING THE DRYER



POWER



START/PAUSE



- 1 LOAD THE DRYER**  
Load the dryer with the wet laundry from the washer. If the load is extra large, you may need to divide it into smaller loads for proper performance and fabric care.
- 2 CLEAN THE LINT FILTER**  
If the lint filter has not already been cleaned, lift out the filter and remove the lint from the last load. This will help ensure the fastest and most efficient drying performance.
- 3 TURN ON THE DRYER**  
Press the POWER button to turn ON the dryer. The cycle LEDs will illuminate and a chime will sound.
- 4 SELECT A CYCLE**  
Turn the cycle selector knob in either direction until the LED for the desired cycle is illuminated. The preset temperature, dry level, and option settings for that cycle will display.
- 5 SELECT CYCLE MODIFIERS**  
Default settings for the selected cycle can now be changed, if desired.  
**NOTE:** Not all options or modifiers are available with all cycles. Temperature can only be adjusted on Timed Dry cycles; Dry Level is only available on Auto Dry cycles. A different chime will sound and the LED will not illuminate if the selection is not allowed.
- 6 SELECT CYCLE OPTIONS**  
Cycle options can be added using the option buttons.  
**NOTE:** Not all options or modifiers are available with all cycles. A different chime will sound and the LED will not come on if the selection is not allowed.
- 7 BEGIN CYCLE**  
Press the START/PAUSE button to begin the cycle. The cycle can be paused at any time by opening the door or by pressing the START/PAUSE button. If the cycle is not restarted within four minutes of being paused, the dryer will shut off and the settings will be lost.
- 8 END OF CYCLE**  
When the cycle is finished, a chime will sound. Immediately remove your clothing from the dryer to reduce wrinkling. If WRINKLE GUARD is selected, the dryer will tumble briefly every few minutes to help prevent wrinkles from setting in the clothes.

**CYCLE GUIDE**

The cycle guide below shows the available options and recommended fabric types for AUTO DRY cycles.

**\*NOTE:** The default time and actual time will vary depending on the size of the load and moisture content.

**Auto Dry Cycles**

Auto Dry cycles utilize a sensor that detects moisture levels in the clothes and adjusts the drying time as needed to ensure superior results. The dryer automatically sets the dry level and temperature at the recommended setting for each cycle. The estimated time remaining will be shown in the display.

● = available option  
 ■ = default setting

Type	Cycle	Fabric Type	Modifiers				Options	
			Temperature	Dry Level	*Time in Min.	More Time/Less Time	Wrinkle Guard	Damp Dry Signal
AUTO DRY	Sanitize	Comforter, bedding, children's clothing, etc.	High	Extra dry	70		●	
	Heavy Duty	Jeans, heavyweight items	High	Normal	54		●	●
				Adjustable				
	Casual	Permanent press, synthetic items	Mid low	Normal	32		●	●
				Adjustable				
	Bulky/Bedding	Comforter, pillows, shirts	Medium	Normal	55			
			Adjustable					
Normal	Work clothes, etc.	Medium	Normal	41		●	●	
			Adjustable					
Small Load	Only normal & cotton/towel fabric type (Max 3 lb)	High	Normal	30		●		
			Adjustable					
Delicates	Lingerie, sheets, blouses	Mid low	Normal	28		●	●	
			Adjustable					

**NOTE:** To protect your garments, not every dry level, or option is available with every cycle. Temperature settings cannot be changed. A different chime will sound and the LED will not illuminate or the selection will not change if the selection is not allowed.

**NSF CERTIFIED BY NSF**

NSF International (formerly the National Sanitation Foundation), certifies that the SANITIZE cycle reduces 99.9% of bacteria on laundry, and none of the bacteria will carry over onto the next laundry load.

- The default settings for the SANITIZE cycle are HIGH temperature and EXTRA DRY. These default settings cannot be changed.
- Do NOT use this cycle with delicate items or fabrics.



## CYCLE GUIDE

The cycle guide below shows the available options and recommended fabric types for TIMED DRY cycles.

### Timed Dry Cycles

Use Timed Dry cycles to select a specific amount of drying time and the drying temperature. When a TIMED DRY cycle is selected, the display shows the actual time remaining in your cycle.

You can change the actual time for the cycle by pressing MORE TIME or LESS TIME. Press and hold the MORE TIME or LESS TIME buttons to rapidly change the time.

● = available option

▨ = default setting

			Modifiers				Options	
Type	Cycle	Fabric Type	Temperature	Dry Level	*Time in Min.	More Time/Less Time	Wrinkle Guard	Damp Dry Signal
TIMED DRY	Express Dry	For small loads with short drying times	High	Off	25	●	●	
			Adjustable		Max. 99			
	Touch Up	For removing light wrinkles	Mid high	Off	20	●	●	
			Adjustable		Max. 99			
	Timed Dry*	For general drying. Time, temperature, and options can be set manually	High	Off	40	●	●	
			Adjustable		Max. 99			

**NOTE:** To protect your garments, not every temperature or option is available with every cycle. Temperature settings cannot be changed. A different chime will sound and the LED will not illuminate if the selection is not allowed.

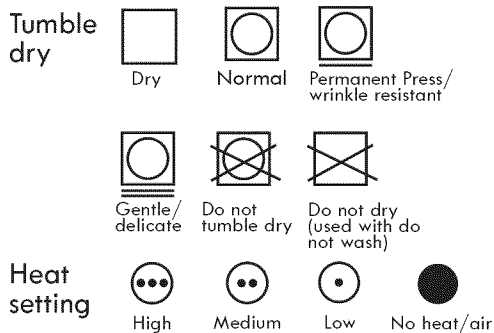
\*Timed Dry is accessed by pressing the Timed Dry button in the Cycle Modifiers field of the of the Control Panel.

**! WARNING:** To reduce the risk of fire, electric shock, or injury to persons, read this entire manual, including the Important Safety Instructions, before operating this dryer.

## SORTING LOADS

### Fabric Care Labels

Most articles of clothing feature fabric care labels that include instructions for proper care.



### Group Similar Items

For best results, sort clothes into loads that can be dried with the same drying cycle.

Different fabrics have different care requirements, and some fabrics will dry more quickly than others. For best fabric care results, always dry fabrics with similar care requirements together.

## LOADING THE DRYER

**! WARNING:** To reduce the risk of fire, electric shock, or injury to persons when using this appliance, follow basic precautions, including the following:

- Check all pockets to make sure that they are empty. Items such as clips, pens, coins, and keys can damage both your dryer and your clothes. Flammable objects such as lighters or matches could ignite, causing a fire. Failure to do so can result in fire, explosion, or death.
- Never dry clothes that have been exposed to oil, gasoline, or other flammable substances. Washing clothes will not completely remove oil residues. Failure to obey this warning can result in fire, explosion, or death.

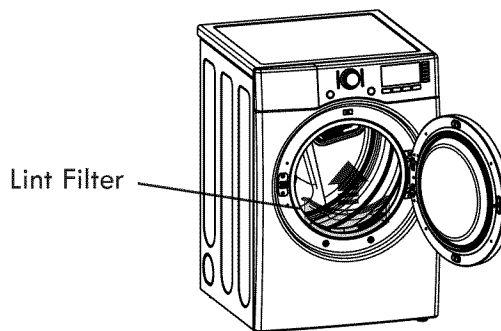
### Loading Tips

- Combine large and small items in the same load.
- Damp clothes will expand as they dry. Do not overload the dryer; clothes require room to tumble and dry properly.
- Close zippers, hooks, and drawstrings to prevent these items from snagging or tangling on other clothes.

### CHECK THE LINT FILTER BEFORE EVERY LOAD

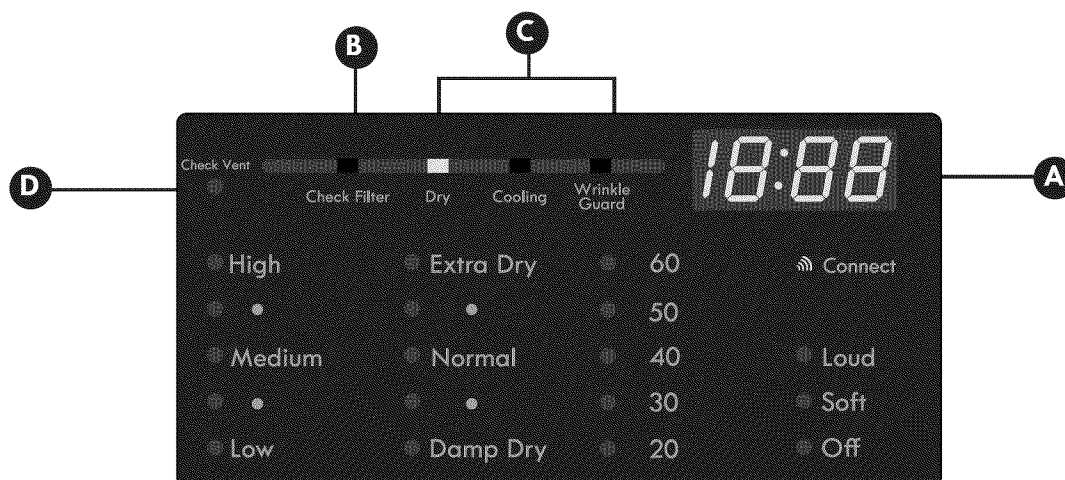
Every time the dryer is turned on, the CHECK FILTER light will blink as a reminder to make sure the filter is clean. Always make sure the lint filter is clean before starting a new load; a clogged lint filter will increase drying times. To clean, pull the lint filter straight up and roll any lint off the filter with your fingers. Do not rinse or wash the filter to remove lint. Push the lint filter firmly back into place.

Always ensure the lint filter is properly installed before running the dryer. Running the dryer with a loose or missing lint filter may damage the dryer and articles in the dryer.



## TIME AND STATUS DISPLAY

The Time and Status Display shows the cycle time, cycle progress, and vent status. When the dryer is turned on, the display will illuminate.



### A TIME DISPLAY

When a cycle is selected, the display will indicate the default time for that cycle including selected options or adjustments. In AUTO DRY cycles, the time remaining will be estimated and may change during the cycle, depending on the condition of the load. In TIMED DRY, the time displayed will be the actual time remaining.

### B CHECK FILTER LIGHT

The CHECK FILTER light will blink before each load, as a reminder to check the lint filter. Always clean the lint filter before every cycle.

### C CYCLE STATUS INDICATORS

This portion of the display shows which stage of the drying cycle is currently under way (DRY, COOLING, or WRINKLE GUARD).

### D CHECK VENT INDICATOR (DUCT BLOCKAGE SENSING SYSTEM)

The CHECK VENT duct blockage sensing system detects and alerts you to blockages in the ductwork that reduce exhaust flow from the dryer. This light does not indicate any problems with your dryer. If this light blinks, it indicates that your home's exhaust system has a serious restriction, which is not covered by your dryer's warranty. Call 1-800-4-MY-HOME® for information regarding duct cleaning services offered through Sears.

## CYCLE MODIFIER BUTTONS

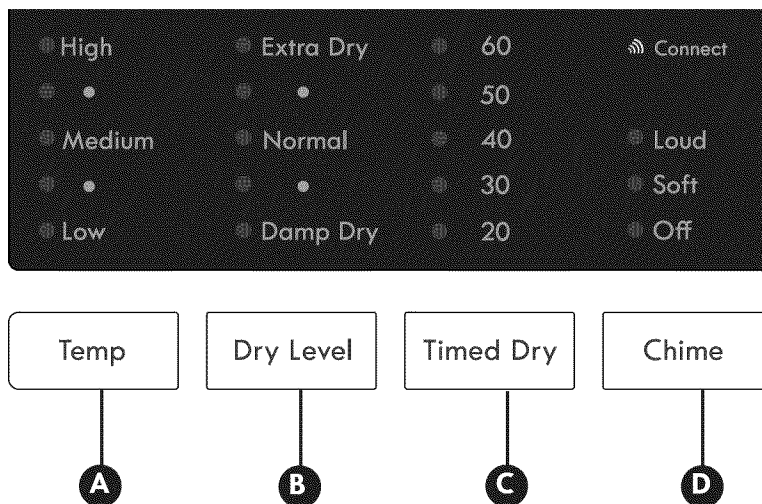
Each cycle has default settings that are selected automatically. You may also customize these settings using the cycle modifier buttons.

**AUTO DRY** cycles are designed to properly care for specific fabrics and loads. As a result, not all settings are available for each cycle selection.

**TIMED DRY** cycles have default settings, but you may also customize the temperature setting and add options.

Settings are not limited in most timed dry cycles. Use care when setting options and modifiers for these cycles to prevent damage to your clothing.

**NOTE:** To protect your garments, not every dry level, temperature, or option is available with every cycle.



**A TEMP**  
Adjusts the temperature setting from LOW to HIGH. This allows precise care of your fabrics and garments. Press the TEMP button repeatedly to scroll through available settings. Temperature setting is not adjustable in AUTO DRY cycles.

**B DRY LEVEL**  
Sets the level of dryness for the selected AUTO DRY cycle. Press the DRY LEVEL button repeatedly to scroll through available settings. Use this button to adjust the dryness of the articles in the load to your preference.

- This option is not available with TIMED DRY cycles.
- The dryer will automatically adjust the cycle time. Selecting EXTRA DRY will increase the cycle time and dry level, while DAMP DRY will decrease the cycle time and dry level.
- Use the DAMP DRY setting for items that you wish to iron or hang for final drying.

**C TIMED DRY**  
Allows you to manually select the drying time in 10-minute increments. Use this cycle for small loads or to remove wrinkles. Use the MORE TIME/LESS TIME buttons to increase or decrease the selected drying time in 1-minute increments. Press and hold the MORE TIME or LESS TIME buttons to rapidly change the time.

**D CHIME**  
Adjusts the volume of the chime or turns off the chime. Press the button repeatedly until the desired volume setting is illuminated.

## CYCLE OPTIONS AND SPECIAL FEATURES

Your dryer features several additional cycle options and special features to meet your individual needs.

### WRINKLE GUARD

Wrinkle Guard

Selecting this option will tumble the clothes after the cycle ends for a few seconds every few minutes without heat. This option is active for 150

minutes after the end of the cycle, or until the door is opened. This helps prevent wrinkles if the clothes are not removed immediately after the cycle has finished.

### CONTROL LOCK

Touch Up  
Control Lock

Use this option to disable the controls. The Control Lock can only be activated during a cycle. When the controls are locked "CL" will display

alternately with the estimated time remaining. If Wrinkle Guard is not activated when the controls are locked, the LED will blink. Once set, the Control Lock must be turned off before the controls can be used.

Press and hold the TOUCH UP button for five seconds to lock or unlock the controls.

### MY CYCLE

My Cycle

My Cycle allows you to store a customized dry cycle for future use. It allows you to save favorite temperature, dry level, and other options for a cycle, and then recall them at the touch of a button.

**NOTE:** Only one My Cycle can be saved at a time. Press and hold the MY CYCLE button to overwrite any previously saved cycle.

#### To save a MY CYCLE:

- 1 Press the POWER button to turn on the dryer.
- 2 Turn the cycle selector knob to select the desired cycle.
- 3 Press the CYCLE MODIFIER button to change the desired setting.
- 4 Press the CYCLE OPTION button to add the desired options.
- 5 Press and hold the MY CYCLE button.

#### To recall a MY CYCLE:

- 1 Press the POWER button to turn on the dryer.
- 2 Press the MY CYCLE button. The stored settings will be displayed.
- 3 Press the START/PAUSE button to start the cycle.

**NOTE:** My Cycle can be adjusted the same as any other cycle. However, once any other button is pressed, the LED will turn off, indicating that the settings are no longer those of your saved cycle.

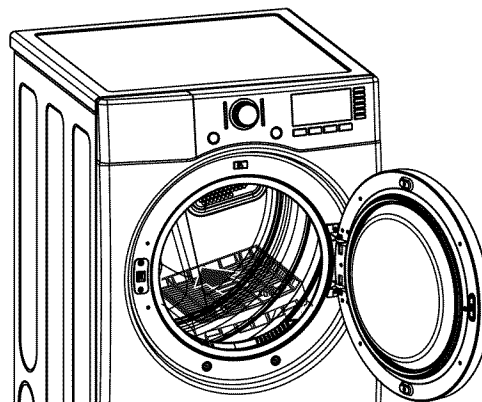
### DAMP DRY SIGNAL

Damp Dry Signal

If you press the Damp Dry Signal, the dryer will emit a chime when the clothes are just short of completely

dry, in case you want to remove them for ironing or hang drying.

## INSTALLING AND USING THE DRYING RACK



- 1 With the dryer door open, slide the rack into the dryer drum.
- 2 Make sure the front of the rack is seated properly in the recess on the lint filter housing at the front of the drum. The two rear legs of the rack should be resting on the rear wall just above the drum.
- 3 Place items to be dried on the rack. Make sure that no parts of the items hang over the edges of the rack, as they might be contacted by the rotating drum, causing noise or damage to the drum or items.

**⚠ WARNING:** To reduce the risk of fire, electric shock, or injury to persons, read this entire manual, including the Important Safety Instructions, before operating this dryer.

- **Unplug the dryer or turn the power off before cleaning to avoid the risk of electric shock.** Failure to follow this warning can cause serious injury, fire, electrical shock, or death.
- **Never use harsh chemicals, abrasive cleaners, or solvents to clean the dryer.** They will damage the finish.

## REGULAR CLEANING

### Cleaning the Exterior

Proper care of your dryer can extend its life. The outside of the machine can be cleaned with warm water and a mild, nonabrasive household detergent. Immediately wipe off any spills with a soft, damp cloth.

**IMPORTANT:** Do not use cleaning alcohols, solvents, or similar products.

NEVER use steel wool or abrasive cleansers because they can damage the surface.

### Cleaning the Interior

Wipe around the door opening and seal with a soft, damp cloth to prevent lint and dust buildup that could damage the door seal.

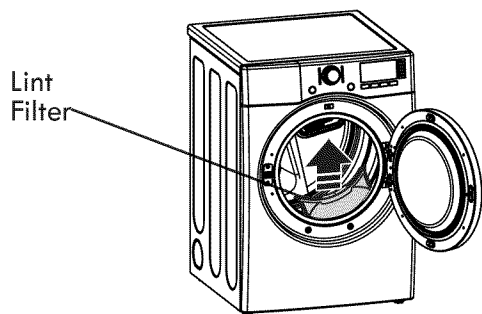
Clean the window with a soft cloth dampened with warm water and a mild, nonabrasive household detergent, then wipe dry.

NEVER use steel wool or abrasive cleansers; they can scratch or damage the surface.

### Cleaning Around and Under the Dryer

Vacuum lint and dust from around the dryer and underneath it regularly.

### Cleaning the Lint Filter

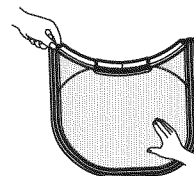


ALWAYS make sure the lint filter is clean before every cycle. The Check Lint Filter Light on the control panel will blink before every cycle to remind you.

**NOTE:** NEVER operate the dryer without the lint filter.

#### To remove lint between cycles:

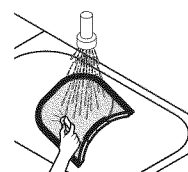
- 1 Open the dryer door.



- 2 Pull the lint filter straight up.
- 3 Roll any lint off the filter with your fingers.
- 4 Insert lint filter back into dryer.

#### Periodic thorough cleaning:

Some fabric softeners can build up on the lint filter over time. This buildup can restrict the airflow through the filter reducing dryer efficiency and lengthening drying times. After removing lint, if the filter looks dark or dirty when held up to the light, follow these steps to clean:



- 1 Use hot soapy water and a stiff brush to clean the filter.
- 2 Make sure the filter is completely dry before reinstalling it and using the dryer.

**NOTE:** NEVER operate the dryer with a wet lint filter.

#### Maintaining Ductwork

Vent ductwork should be checked for lint build up once per month and cleaned at least once per year. If any noticeable reduction in airflow or drying performance occurs, immediately check the ductwork for obstructions and blockages. Contact a qualified technician or service provider.

## MAINTAINING THE EXHAUST SYSTEM

The most common cause of dryer problems is poor exhaust venting. Poor exhaust venting may result from the following conditions:

- DIRTY OR DAMAGED EXHAUST DUCTS
- WRONG VENT MATERIAL
- RESTRICTED OR DAMAGED VENT HOOD
- EXCESSIVELY LONG VENT
- THE USE OF PLASTIC OR FOIL VENTING

### Maintaining the Exhaust System

Vent ducts should be checked for lint buildup and cleaned at least once per year. If any noticeable reduction in drying performance occurs, check the ducts for obstructions and blockages.

If the CHECK VENT indicator illuminates, the exhaust system should be checked immediately for damage or obstructions. The CHECK VENT indicator signals a serious reduction in exhaust airflow which will greatly reduce energy efficiency and increase drying times. Damaged or restricted exhaust systems are not covered by the dryer warranty. Damage to the dryer that is caused by damaged, restricted, or otherwise inadequate exhaust systems is not covered by the dryer warranty.

### CHECK VENT Indicator

The CHECK VENT warning system is designed to help you avoid the reduced performance caused by restrictions in the household exhaust system. The CHECK VENT indicator illuminates to alert you when problems in the system occur, so you can have them repaired.

While you should always check and maintain your exhaust system regularly, the CHECK VENT warning system will detect and alert you if serious problems develop in your home's exhaust system. This includes exhaust systems that are unsatisfactory for any reason including a blockage in the venting, crushed/kinked venting, or venting which exceeds the maximum recommended length requirement as described in the installation section.

**NOTE:** The total length includes the length from the back of the dryer to the outside vent hood, PLUS a factor for every 90° elbow in the exhaust system. For example, if the distance from the back of the dryer to the vent hood is 30 feet, and there are four elbows in the system, then it exceeds the 28 foot maximum length allowed for those conditions as specified in the Duct Length Chart.

The CHECK VENT indicator on the control panel will alert you that the exhaust system is not moving enough air from the dryer to the outside. This lack of airflow will lead to long dry times, poor drying and possibly dryer failure.

As a reminder, external dryer venting is considered part of your home and is not covered by the product warranty or protection agreements. There are services available for cleaning/maintaining the external venting. Sears provides this service via Sears Carpet, Upholstery, and Duct Cleaning. Call 1-800-661-6594 to schedule duct cleaning service from Sears (if it is available in your area).

### CHECK VENT Operation

The CHECK VENT system uses components already in the dryer. By monitoring these components over the course of several cycles, the control is able to determine how much restriction there is in the exhaust system. If it detects a high level of restriction, it will turn on the CHECK VENT light to alert you to the condition. The dryer will continue to operate after the light comes on, but you should have the exhaust system cleaned or repaired immediately to avoid longer dry times and higher energy consumption.

**IMPORTANT:** In order for a dryer to properly and efficiently dry your clothes, it is extremely important that the exhaust system is as short and clean as possible. It **MUST** be less than the maximum length specifications as outlined in the installation section. It is also very important that you make sure that when the dryer is installed, the exhaust system is clean and clear of any restrictions and is not kinked or crushed.

Failure to meet these guidelines will result in long dry times, increased energy consumption and possibly even clothing damage or dryer failure. When exhaust system restrictions become extreme, the CHECK VENT light will blink to alert you to the condition so you can have the exhaust system cleaned or repaired.

- 1 To prevent false alarms and for increased reliability, the dryer will monitor the exhaust condition for several loads. If multiple, consecutive cycles exceed the restriction limits, the control will blink the CHECK VENT indicator.
- 2 A blinking CHECK VENT indicator means the external venting should be checked for potential restrictions as soon as possible.
- 3 The CHECK VENT indicator will remain active (blinking) until the restriction is resolved AND the control has verified the improved airflow for several cycles.
- 4 After the exhaust is cleaned or repaired, it will take several cycles for the CHECK VENT indicator to reset and turn off the light.

**NOTE:** The CHECK VENT indicator is designed to measure performance over several consecutive cycles before activating or deactivating, to avoid false alarms. A very large load, such as a large comforter, could cause the CHECK VENT system to sense that the exhaust system is restricted, but this would not cause the light to blink. However, if several large loads were to run back to back, the CHECK VENT indicator could be activated.

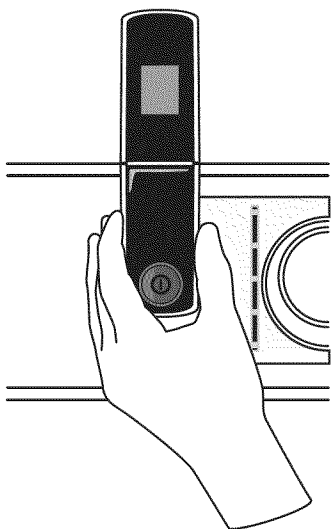
Should you experience any problems with your dryer, it has the capability of transmitting data via your telephone to the Kenmore Connect Team. This gives you the capability of speaking directly to our specially trained technicians. The technician records the data transmitted from your machine and uses it to analyze the issue, providing a fast and effective diagnosis.

If you experience problems with your dryer, call 1-800-4-MY-HOME®. Only use the Kenmore Connect System feature when instructed to do so by the Kenmore Connect Team. The transmission sounds that you will hear are normal and sound similar to a fax machine.

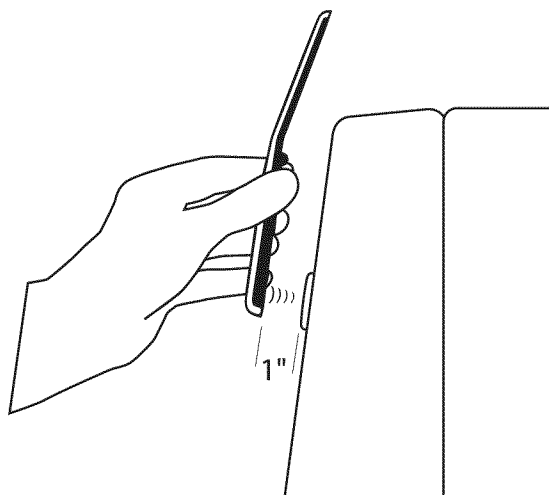
Kenmore Connect cannot be activated unless your dryer is turned on by pressing the POWER button. If your dryer is unable to turn on, then troubleshooting must be done without using Kenmore Connect.

## Using the Kenmore Connect™ System

Follow the technician's instructions and perform the following steps when requested.



Appearance may vary by model.



**HOLD** the mouthpiece of your phone over the POWER button, when instructed to do so by the call center, no more than one inch from (but not touching) the machine.

**NOTE:** Do not press any other buttons or turn the cycle selector knob.



**PUSH** and hold the TEMP button while continuing to hold your phone to the POWER button.



**LISTEN** for three beeps. After you hear the three beeps, release the TEMP button. Keep the phone in place until the tone transmission has finished. This takes about 17 seconds, and the display will count down the time. Once the countdown is over and the tones have stopped, resume your conversation with the technician, who will then be able to assist you in using the information transmitted for analysis.

**NOTE:**

- For best results, do not move the phone while the tones are being transmitted.
- If the call center agent is not able to get an accurate recording of the data, you may be asked to try again.
- Pressing the POWER button during the transmission will shut off Kenmore Connect.

## BEFORE CALLING FOR SERVICE

Problem	Possible Cause	Solutions
<p><b>*CHECK VENT is blinking</b></p>	<p>Exhaust system is too long or has too many turns/restrictions.</p> <p>Partial blockage of the ductwork due to lint buildup or other foreign object.</p>	<p>Install a shorter or straighter duct run. See the Installation Instructions for details.</p> <p>Ductwork should be checked/cleaned immediately. Dryer can be used in this condition, but drying times will be longer and energy consumption will increase.</p>
<p>* This warning light does not indicate a dryer failure and is not covered by the dryer warranty. Contact a duct cleaning service to set up an appointment to have your exhaust system cleaned and inspected.</p>		
<p><b>Dryer will not turn on</b></p>	<p>Power cord is not properly plugged in.</p> <p>House fuse is blown, circuit breaker has tripped, or power outage has occurred.</p>	<p>Make sure that the plug is securely plugged into a grounded outlet matching the dryer's rating plate.</p> <p>Reset circuit breaker or replace fuse. Do not increase fuse capacity. If the problem is a circuit overload, have it corrected by a qualified electrician.</p>
<p><b>Dryer does not heat</b></p>	<p>House fuse is blown, circuit breaker has tripped, or power outage has occurred.</p> <p>Gas supply or service is turned off (gas models only).</p>	<p>Reset circuit breaker or replace fuse. Do not increase fuse capacity. If the problem is a circuit overload, have it corrected by a qualified electrician.</p> <p><b>NOTE:</b> Due to the design of electric dryers, it is possible for a circuit problem to allow an electric dryer to run without heat.</p> <p>Confirm that the house gas shutoff and the dryer gas shutoff valves are both fully open. Even if gas is not supplied to the dryer, it will run and no error codes will display. Verify that other gas appliances in the home are working normally.</p>
<p><b>Greasy or dirty spots on clothes</b></p>	<p>Clean and dirty clothes are being dried together.</p> <p>Clothes were not properly cleaned or rinsed before being placed in the dryer.</p>	<p>Only use your dryer to dry clean items. Soil from dirty clothes can transfer to the clean clothes in the same or later loads.</p> <p>Stains on dried clothes could be stains that weren't removed during the washing process. Make sure that clothes are being completely cleaned or rinsed according to the instructions for your washer and detergent. Some difficult soils may require pre-treating prior to washing.</p>
<p><b>Excess static in clothes after drying</b></p>	<p>Fabric softener is not used or used incorrectly.</p> <p>Clothes dried too long (over dried).</p> <p>Drying synthetics, permanent press, or synthetic blends.</p>	<p>Use a fabric softener to reduce static electricity. Be sure to follow the fabric softener manufacturer's instructions.</p> <p>Overdrying a load of laundry can cause a buildup of static electricity. Adjust settings and use a shorter drying time, or use AUTO DRY cycles.</p> <p>These fabrics are naturally more prone to static buildup. Try using fabric softener, or use DAMP DRY and/or shorter TIMED DRY time settings.</p>
<p><b>Drying time is not consistent</b></p>	<p>Heat settings, load size, or dampness of clothing is not consistent.</p>	<p>The drying time for a load will vary depending on the type of heat used (electric, natural gas, or LP gas), the size of the load, the type of fabrics, the wetness of the clothes, and the condition of the exhaust duct and lint filter. Even an unbalanced load in the washer can cause poor spinning, resulting in wetter clothes which will take longer to dry.</p>

## BEFORE CALLING FOR SERVICE (continued)

Problem	Possible Cause	Solutions
<p><b>Clothes take too long to dry</b></p>	<p>Exhaust ducts are blocked, dirty, or duct run is too long.</p> <p>Load is not properly sorted.</p> <p>Large load of heavy fabrics.</p> <p>Dryer controls are not set properly.</p> <p>Lint filter needs to be cleaned.</p> <p>House fuse is blown, circuit breaker has tripped, or power outage has occurred.</p> <p>Dryer is overloaded.</p> <p>Dryer is underloaded.</p>	<p>Confirm that the exhaust duct is properly configured and free of debris, lint, and obstructions. Make sure that outside wall dampers can open properly and are not blocked, jammed, or damaged.</p> <p>Separate heavy items from lightweight items. Larger and heavier items take longer to dry. Light items in a load with heavy items can fool the sensor because the light items dry faster.</p> <p>Heavy fabrics take longer to dry because they tend to retain more moisture. To help reduce and maintain more consistent drying times for large and heavy fabrics, separate these items into smaller loads of a consistent size.</p> <p>Use the appropriate control settings for the type of load you are drying. Some loads may require an adjustment of the DRY LEVEL setting for proper drying.</p> <p>Remove the lint from the filter before every load. With the lint removed, hold the filter up to a light to see if it is dirty or clogged. If it looks dirty, follow the cleaning instructions Care and Cleaning section. With some loads that produce high amounts of lint, such as new bath towels, it may be necessary to pause the cycle and clean the filter during the cycle.</p> <p>Reset circuit breaker or replace fuse. Do not increase fuse capacity. If the problem is a circuit overload, have it corrected by a qualified electrician.</p> <p><b>NOTE:</b> Due to the design of electric dryers, it is possible for a circuit problem to allow an electric dryer to run without heat.</p> <p>Divide extra large loads into smaller loads for better drying performance and efficiency.</p> <p>If you are drying a very small load, add a few extra items to ensure proper tumbling action. If the load is very small and you are using AUTO DRY cycles, the electronic control cannot properly sense the dryness of the load and may shut off too soon. Use TIMED DRY or add some extra wet clothes to the load.</p>
<p><b>Clothes are wrinkled</b></p>	<p>Clothes dried too long (overdried).</p> <p>Clothes left in dryer too long after cycle ends.</p>	<p>Overdrying a load of laundry can lead to wrinkled clothes. Try a shorter drying time or DAMP DRY setting and remove items while they still retain a slight amount of moisture.</p> <p>Use the WRINKLE GUARD option. This feature will tumble the clothes briefly every few minutes for up to 150 minutes to help prevent wrinkling.</p>
<p><b>Clothes are shrinking</b></p>	<p>Garment care instructions are not being followed.</p>	<p>To avoid shrinking your clothes, always consult and follow fabric care instructions. Some fabrics will naturally shrink when washed. Other fabrics can be washed but will shrink when dried in a dryer. Use a low or no heat setting.</p>

**BEFORE CALLING FOR SERVICE (continued)**

<b>Problem</b>	<b>Possible Cause</b>	<b>Solutions</b>
<b>Display shows error code: tE1 or tE2</b>	Temperature sensor failure.	Turn off the dryer and call for service.
<b>Lint on clothes</b>	Lint filter not cleaned properly.	Remove the lint from the filter before every load. With the lint removed, hold the filter up to a light to see if it is dirty or clogged. If it looks dirty, follow the cleaning instructions in the Care and Cleaning Section. With some loads that produce high amounts of lint, it may be necessary to clean the filter during the cycle.
	Laundry not sorted properly.	Some fabrics are lint producers (i.e., a fuzzy white cotton towel) and should be dried separately from clothes that are lint trappers (i.e., a pair of black linen pants).
	Excess static in clothes.	Use a fabric softener to reduce static electricity. Be sure to follow the manufacturer's instructions. Overdrying a load of laundry can cause a buildup of static electricity. Adjust settings and use a shorter drying time, or use AUTO DRY cycles.
	Dryer is overloaded.	Divide extra large loads into smaller loads for drying.
	Tissue, paper, etc., left in pockets.	Check pockets thoroughly before washing and drying clothes.

**Kenmore Limited Warranty**

When installed, operated and maintained according to all instructions supplied with the product, if this appliance fails due to a defect in material and workmanship within one year from the date of purchase, call 1-800-4-MY-HOME® to arrange for free repair.

If this appliance is ever used for other than private family purposes, this warranty applies for only 90 days from the date of purchase.

**This warranty covers only defects in material and workmanship. Sears will NOT pay for:**

1. Expendable items that can wear out from normal use, including but not limited to filters, belts, light bulbs, and bags.
2. A service technician to instruct the user in correct product installation, operation or maintenance.
3. A service technician to clean or maintain this product.
4. Damage to or failure of this product if it is not installed, operated or maintained according to all the instructions supplied with the product.
5. Damage to or failure of this product resulting from accident, abuse, misuse or use for other than its intended purpose.
6. Damage to or failure of this product caused by the use of detergents, cleansers, chemicals or utensils other than those recommended in all instructions supplied with the product.
7. Damage to or failure of parts or systems resulting from unauthorized modifications made to this product.

**Disclaimer of implied warranties; limitation of remedies**

Customer's sole and exclusive remedy under this limited warranty shall be product repair as provided herein. Implied warranties, including warranties of merchantability or fitness for a particular purpose, are limited to one year or the shortest period allowed by law. Sears shall not be liable for incidental or consequential damages. Some states and provinces do not allow the exclusion or limitation of incidental or consequential damages, or limitation on the duration of implied warranties of merchantability or fitness, so these exclusions or limitations may not apply to you.

This warranty applies only while this appliance is used in the United States or Canada.

This warranty gives you specific legal rights, and you may also have other rights which vary from state to state.

Sears Brands Management Corporation, Hoffman Estates, IL 60179  
Sears Canada Inc., Toronto, Ontario, Canada M5B 2C3



**INSTRUCCIONES IMPORTANTES SOBRE SEGURIDAD...** 35-38  
**REQUISITOS DE CONEXIÓN A TIERRA.....** 36  
**FUNCIONES Y VENTAJAS**  
 Piezas y componentes clave ..... 39  
**INSTRUCCIONES PARA LA INSTALACIÓN**  
 Dimensiones y especificaciones clave .....40  
 Requisitos de ubicación .....40  
 Escoja el lugar adecuado ..... 40  
 Espacios de instalación .....40  
 Instalación con base de pedestal  
 o kit de montaje sobre la lavadora opcionales .....41  
 Accesorios opcionales .....41  
 Requisitos de gas .....42  
 Conexión de las secadoras de gas .....42-43  
 Requisitos eléctricos ..... 42&44  
 Conexión de las secadoras eléctricas ..... 44-45  
 Ventilación de la secadora ..... 46-47  
 Nivelación de la secadora .....48  
 Inversión de la puerta .....48  
 Comprobación final de instalación ..... 49  
**INSTRUCCIONES DE USO**  
 Funciones del panel de control .....50  
 Funcionamiento de la secadora .....51  
 Guía de ciclos ..... 52-53  
 Clasificación de cargas .....54  
 Carga de la secadora .....54  
 Pantalla de tiempo y estado ..... 55  
 Botones modificadores de ciclo .....56  
 Opciones de ciclos y funciones especiales .....57  
 Antiarrugas .....57  
 Bloqueo de los controles .....57  
 Mi ciclo .....57  
 Secado húmedo .....57  
 Instalación y uso de la rejilla de secado .....57  
**INSTRUCCIONES DE MANTENIMIENTO DEL USUARIO**  
 Limpieza regular ..... 58  
 Limpieza del exterior .....58  
 Limpieza del interior .....58  
 Limpieza alrededor de la secadora y  
 debajo de ella .....58  
 Limpieza del filtro de pelusas ..... 58  
 Mantenimiento del sistema de ventilación .....59  
**KENMORE CONNECT.....**60  
**GUÍA DE SOLUCIÓN DE PROBLEMAS**  
 Antes de solicitar asistencia técnica ..... 61-63  
**GARANTÍA .....64**  
**SERVICIO.....** Cubierta posterior

**REGISTRO DEL PRODUCTO**

En el espacio de abajo, registre la fecha de la compra, el modelo y número de serie del producto. Encontrará el modelo y el número de serie impreso en la placa de identificación situada en el interior de la puerta de la secadora. Tenga esta información a mano siempre que se ponga en contacto con Sears con relación a su producto.

N.º de modelo. \_\_\_\_\_

Fecha de compra \_\_\_\_\_

N.º de serie \_\_\_\_\_

Guarde estas instrucciones y su recibo de venta para referencia futura.

**Acuerdos maestros de protección**

Felicidades por haber realizado una compra inteligente. Su nuevo producto Kenmore® está diseñado y fabricado para brindar años de funcionamiento fiable. No obstante, al igual que cualquier otro producto, es posible que requiera un mantenimiento preventivo o alguna reparación cada cierto tiempo. Por este motivo, disponer de un contrato maestro de protección puede ahorrarle dinero y molestias.

El acuerdo maestro de protección también lo ayuda a extender la vida útil de su nuevo producto. A continuación, se indica lo que incluye este contrato\*:

- **Material y mano de obra** necesario para mantener los productos en funcionamiento **bajo uso normal**, no únicamente los defectos de fabricación. Nuestra cobertura va **mucho mas allá de la garantía del producto**. No hay ninguna falla funcional deducible que se excluya de la cobertura: **se trata de una protección real**.
- **Servicio experto** llevado a cabo por un personal de más de 10.000 técnicos de servicio **expertos de Sears**, lo que significa que alguien en quien puede confiar trabajará en su producto.
- **Sin límite de solicitudes de reparación y servicio en el país**, con tanta frecuencia como desee y en cualquier momento.
- **Funcionamiento garantizado**: sustitución del producto cubierto por el servicio si se producen cuatro o más averías del producto en un plazo de 12 meses.
- **Reemplazo del producto**: si éste no puede repararse.
- **Comprobación anual de mantenimiento preventivo** si lo solicita, sin ningún gasto adicional.
- **Ayuda rápida por teléfono**: también llamada **solución rápida**. Asistencia por teléfono de un representante de Sears para cualquier producto. Piense en nosotros como un "manual de usuario que habla".
- **Protección de sobretensiones** contra daños eléctricos debidos a fluctuaciones de energía.
- **Protección anual de \$250 por pérdida de comida** que se haya producido como resultado una falla mecánica cualquier refrigerador o congelador cubierto.
- **Reembolso del alquiler** si la reparación del producto cubierto por el servicio tarda más de lo previsto.
- **10% de descuento** del precio normal de cualquier servicio de reparación no cubierto y de piezas relacionadas instaladas.

Una vez que adquiera el Acuerdo, sólo tiene que hacer un llamado telefónico para programar el servicio. Puede llamarnos en cualquier momento del día o de la noche, o fijar la cita de la reparación a través de Internet.

El Acuerdo maestro de protección es una compra sin riesgos.

Si por cualquier motivo cancela el contrato durante el plazo de garantía del producto, le devolveremos todo el importe o bien una cantidad prorrateada una vez que haya finalizado el plazo de garantía del producto.

Adquiera hoy mismo su Acuerdo maestro de protección.

**Se aplican algunas limitaciones y exclusiones.**

**Para consultar precios y e información adicional en los EE. UU. llame al 1-800-827-6655.**

\* **La cobertura en Canadá varía en algunos aspectos.**

**Para más detalles, llame a Sears Canadá a 1-800-361-6665.**

**Servicio de instalación de Sears**

Para solicitar la instalación profesional de Sears de electrodomésticos dispositivos para apertura de puertas de garaje, calentadores de agua y otros electrodomésticos, llame en los EE. UU. o Canadá a: 1-800-4-MY-HOME®.



# LEA TODAS LAS INSTRUCCIONES ANTES DE UTILIZAR ESTE PRODUCTO

## Su seguridad y la de los demás es muy importante.

Hemos incluido numerosos mensajes de seguridad en este manual sobre su electrodoméstico. Lea y cumpla siempre todos los mensajes de seguridad.

**!** Este es el símbolo de alerta de seguridad. Este símbolo le avisa de posibles peligros de muerte o lesiones para usted o los demás.

Todos los mensajes de seguridad incluirá el símbolo de alerta y la palabra PELIGRO o ADVERTENCIA.

Estas palabras significan:

**!** **PELIGRO:** Indica una situación peligrosa que, si no se evita, puede producir lesiones graves o la muerte.

**!** **ADVERTENCIA:** Indica una situación peligrosa que, si no se evita, podría provocar lesiones graves o la muerte.

**!** **PRECAUCIÓN:** Indica una situación peligrosa que, si no se evita, puede producir una lesión menor o moderada.

Todos los mensajes de seguridad le indicarán cuál es el posible peligro, lo que debe hacer para reducir la probabilidad de lesiones y lo que puede ocurrirle si no se siguen las instrucciones.

**!** **ADVERTENCIA:** Por su seguridad, debe seguir la información de este manual para reducir al mínimo el riesgo de incendio, explosión o descarga eléctrica, así como prevenir adecuadamente daños materiales, lesiones personales o muerte.

- No instale la secadora de ropa con materiales de ventilación de plástico flexible. Si se instala un conducto metálico flexible (de tipo lámina de metal), debe ser del tipo concreto especificado por el fabricante del aparato como adecuado para usarlo con secadoras. Se sabe que los materiales de ventilación flexibles se colapsan, se pueden aplastar con facilidad y atrapan pelusas. Estas circunstancias pueden obstaculizar el flujo de aire de la secadora y aumentar el riesgo de incendio.
- No guarde ni utilice gasolina ni ningún otro gas o líquido inflamable cerca de este electrodoméstico o de cualquier otro.
- La instalación y el servicio deben ser realizados por un técnico cualificado, una agencia de mantenimiento o la compañía de gas.
- Instale la secadora siguiendo las instrucciones del fabricante y las normativas locales.
- Guarde estas instrucciones.

## QUÉ HACER SI HUELE A GAS:

1. No intente encender una cerilla o un cigarrillo, ni tampoco ningún aparato que funcione con gas o electricidad.
2. No toque ningún interruptor eléctrico. No utilice ningún teléfono en su edificio.
3. Despeje de personas la habitación, edificio o zona.
4. Llame inmediatamente a la compañía de gas desde el teléfono de un vecino. Siga atentamente las instrucciones de la compañía de gas.
5. Si no puede ponerse en contacto con la compañía de gas, llame a los bomberos.

**GUARDE ESTAS INSTRUCCIONES**

## PRECAUCIONES BÁSICAS DE SEGURIDAD

**⚠ ADVERTENCIA:** Para reducir el riesgo de incendio, descarga eléctrica o lesiones físicas al utilizar este electrodoméstico, siga estas precauciones básicas, entre las que se incluyen las siguientes:

- Lea todas las instrucciones antes de utilizar la secadora.
- Antes de utilizar la secadora, es necesario instalarla correctamente, según se describe en este manual.
- No introduzca en la secadora artículos que hayan estado expuestos a aceites de cocina. Los artículos impregnados de aceites de cocina pueden contribuir a una reacción química que podría hacer que una carga se incendie.
- No seque artículos que previamente hayan sido limpiados, lavados, sumergidos o salpicados con gasolina, disolventes de limpieza en seco o cualquier otra sustancia inflamable o explosiva, ya que pueden desprender vapores que podrían incendiarse o explotar.
- No introduzca las manos en la secadora mientras el tambor o cualquier otro elemento esté en movimiento.
- No repare ni sustituya ninguna pieza de la secadora ni intente repararla a menos que se recomiende específicamente en esta guía de uso y cuidado, o en instrucciones publicadas de reparaciones que comprenda y sepa aplicar.
- No toquete los controles.
- Antes de poner la secadora fuera de servicio o desecharla, retire la puerta del compartimento de secado.
- No permita que los niños jueguen encima de la secadora o en su interior. Si se usa la secadora cerca de niños, será necesario vigilarlos atentamente.
- No utilice suavizantes ni productos para eliminar la estática a menos que lo recomiende el fabricante del suavizante o producto.
- No utilice el calor para secar artículos que contengan gomaespuma o materiales con una textura similar.
- Evite la acumulación de pelusa, polvo o tierra alrededor del área de la apertura de ventilación y áreas adyacentes.
- La parte interior de la secadora y el conducto de ventilación se deberán limpiar periódicamente, y la misma deberá ser realizada por técnicos cualificados.
- No instale ni coloque esta secadora en lugares donde pueda estar expuesta a las inclemencias meteorológicas.
- Antes de cargar la secadora, revise siempre que no haya objetos extraños en su interior.
- Retire la pelusa del filtro antes de cada carga.

## LEY EJECUTIVA SOBRE LA SEGURIDAD DEL AGUA POTABLE Y LOS AGENTES TÓXICOS DE CALIFORNIA

Esta ley requiere que el gobernador de California publique una lista de sustancias que se sabe que producen cáncer, defectos congénitos o cualquier otra lesión reproductiva, y obliga a las empresas a advertir a los clientes sobre la posible exposición a tales sustancias. Los electrodomésticos de gas pueden ocasionar una exposición leve a cuatro de estas sustancias, en concreto benceno, monóxido de carbón, formaldehído y hollín, generados principalmente por la combustión incompleta del gas natural o el propano. Una secadora correctamente ajustada minimizará la combustión incompleta. La exposición a estas sustancias se puede minimizar aún más dotando a la secadora de una ventilación adecuada al exterior.

## REQUISITOS DE CONEXIÓN A TIERRA

Este electrodoméstico debe estar conectado a tierra. En caso de avería o fallo de funcionamiento, la conexión a tierra reducirá el riesgo de descarga eléctrica, al proporcionar a la corriente eléctrica una trayectoria de una menor resistencia. Este electrodoméstico debe estar equipado con un cable que disponga de un conductor de conexión a tierra del equipo y un enchufe con conexión a tierra. El enchufe debe conectarse a una toma de corriente adecuada que esté correctamente instalada y con conexión a tierra según las normativas y las ordenanzas locales.

**⚠ ADVERTENCIA:** Una conexión inadecuada del conductor de conexión a tierra del equipo puede ocasionar un riesgo de descarga eléctrica. Consulte a un eléctrico o técnico cualificado si tiene dudas sobre si el electrodoméstico está correctamente conectado a tierra. No modifique el enchufe que se entrega con el electrodoméstico. Si no encaja en la toma de corriente, solicite a un electricista adecuadamente formado que le instale una toma de corriente apropiada. Este electrodoméstico debe conectarse a un sistema de cableado permanente metálico con conexión a tierra o se debe tender un conductor para la conexión a tierra del equipo con los conductores del circuito y conectado al terminal de conexión a tierra del equipo o al conductor de suministro del electrodoméstico. Si la secadora no se encuentra adecuadamente conectada a tierra, se pueden producir descargas eléctricas.

## INSTRUCCIONES DE SEGURIDAD PARA LA INSTALACIÓN

**⚠ ADVERTENCIA:** Para reducir el riesgo de incendio, descarga eléctrica o lesiones físicas al utilizar este electrodoméstico, siga estas precauciones básicas, entre las que se incluyen las siguientes:

- **Conecte la secadora adecuadamente a tierra según las normativas y las ordenanzas vigentes.** Siga los detalles en las instrucciones de instalación. Si la secadora no se encuentra adecuadamente conectada a tierra, se pueden producir descargas eléctricas.
- **Antes de utilizar la secadora, es necesario instalarla correctamente, según se describe en este manual.** Si la secadora no se encuentra adecuadamente conectada a tierra, se pueden producir descargas eléctricas.
- **Instale y almacene la secadora en un lugar no expuesto a temperaturas inferiores al punto de congelación ni expuesto a la intemperie.**
- **Todos los trabajos de reparación y mantenimiento deberán ser realizados por un técnico autorizado a menos que se den otras recomendaciones específicas en este Manual de uso y cuidado. Utilice sólo piezas de fábrica autorizadas.** Si no se cumple con esta advertencia se podrán producir lesiones graves, incendios, descargas eléctricas o muerte.
- **Con el fin de reducir el riesgo de descargas eléctricas no instale la secadora en espacios húmedos.** Si no se cumple con esta advertencia se podrán producir lesiones graves, incendios, descargas eléctricas o muerte.
- **Conecte un circuito eléctrico clasificado, protegido y adecuado para evitar sobrecargas eléctricas.** Un circuito eléctrico inadecuado se puede fundir, creando descargas eléctricas y/o riesgo de incendio.
- **Quite todos los elementos de embalaje y deseché adecuadamente todos los materiales de envío.** Si no se cumple con esto se podrá producir una explosión, incendio, quemaduras o muerte.
- **Coloque la secadora a una altura mínima de 46 cm (18 pulgadas) sobre el suelo para una instalación en el garaje.** Si no se cumple con esto se podrá producir una explosión, incendio, quemaduras o muerte.
- **Mantenga todos los envoltorios alejados de los niños.** Los materiales de los envoltorios pueden resultar peligrosos para los niños. Existe riesgo de asfixia.
- **No lo instale cerca de un elemento que genera calor, como una cocina o un horno de cocción.** Si no se cumple con esta advertencia se puede provocar una deformación, humo o un incendio.
- **No coloque velas ni cigarrillos sobre el producto.** Si no se cumple con esta advertencia se puede provocar una deformación, humo o un incendio.
- **Quite la película de vinilo protectora del producto.** Si no se cumple con esta advertencia se puede provocar una deformación, humo o un incendio.

## Ventilación/conductos:

- **Las secadoras de gas DEBEN tener un conducto de ventilación al exterior.** Si no se siguen estas instrucciones se podrá producir incendio o muerte.
- **El sistema de ventilación de la secadora debe dirigirse al exterior de la vivienda.** Si la secadora no se ventila al exterior, se expulsará pelusa y grandes cantidades de humedad a la zona de lavandería. Una acumulación de pelusa en cualquier zona de la vivienda puede crear un peligro de incendio y para la salud.
- **Use únicamente sistemas de ventilación de metal rígido o flexible de 10,2 cm (4 pulgadas) de diámetro dentro del gabinete de la secadora o para ventilación al exterior.** Los sistemas de ventilación de plástico u otro material pueden causar incendios. Los sistemas de ventilación agujereados pueden causar incendios si se colapsan o bloquean durante el uso o la instalación.
- **El sistema de ventilación no se incluye con la secadora, por lo que deberá obtenerlo localmente. La tapa terminal deberá tener reguladores de tiro con bisagras para prevenir el retorno de descarga cuando no se usa la secadora.** Si no se siguen estas instrucciones se podrá producir incendio o muerte.
- **El conducto de escape deberá tener 10,2 cm (4 pulgadas) de diámetro sin obstrucciones. El conducto de escape deberá mantenerse lo más corto posible. Asegúrese de limpiar cualquier tipo de conducto antiguo antes de instalar su secadora nueva.** Si no se siguen estas instrucciones se podrá producir incendio o muerte.
- **Se recomienda usar conductos rígidos o semirrígidos entre la secadora y la pared. En instalaciones particulares, cuando es imposible realizar una conexión siguiendo las recomendaciones antes indicadas, únicamente se puede utilizar un conducto metálico de transición aprobado por UL entre la secadora y la conexión de pared. Usar este tipo de conducto afectará al tiempo de secado.** Si no se siguen estas instrucciones se podrá producir incendio o muerte.
- **NO utilice tornillos de lámina de metal ni otro tipo de sujeciones que se extiendan dentro del conducto y puedan atrapar pelusa y reducir la eficiencia del sistema de ventilación.** Asegure todas las uniones con cinta aislante impermeable. Para más detalles, siga las instrucciones de instalación. Si no se siguen estas instrucciones se podrá producir incendio o muerte.

## INSTRUCCIONES DE SEGURIDAD PARA LAS CONEXIONES ELÉCTRICAS

**⚠ ADVERTENCIA:** Para reducir el riesgo de incendio, descarga eléctrica o lesiones físicas al utilizar este electrodoméstico, siga estas precauciones básicas, entre las que se incluyen las siguientes:

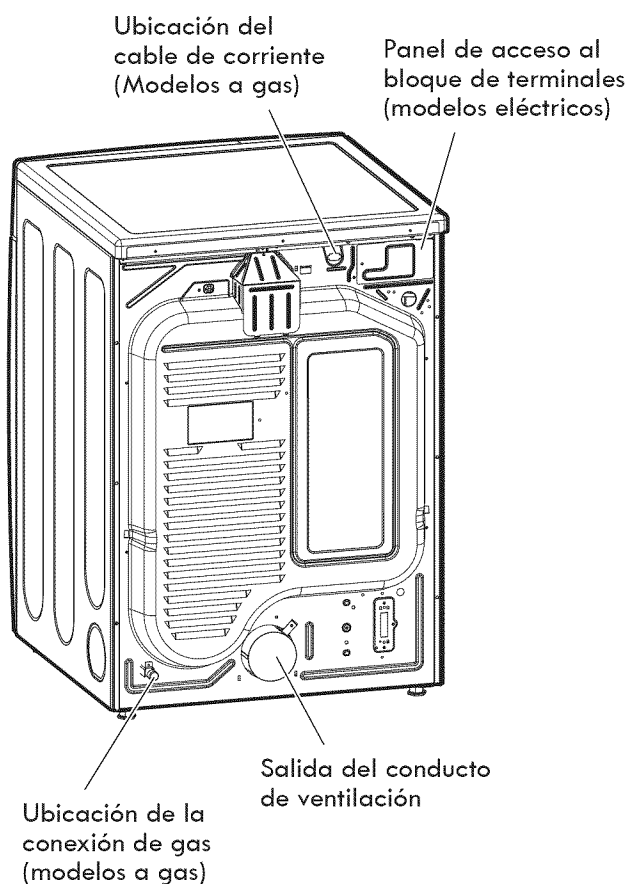
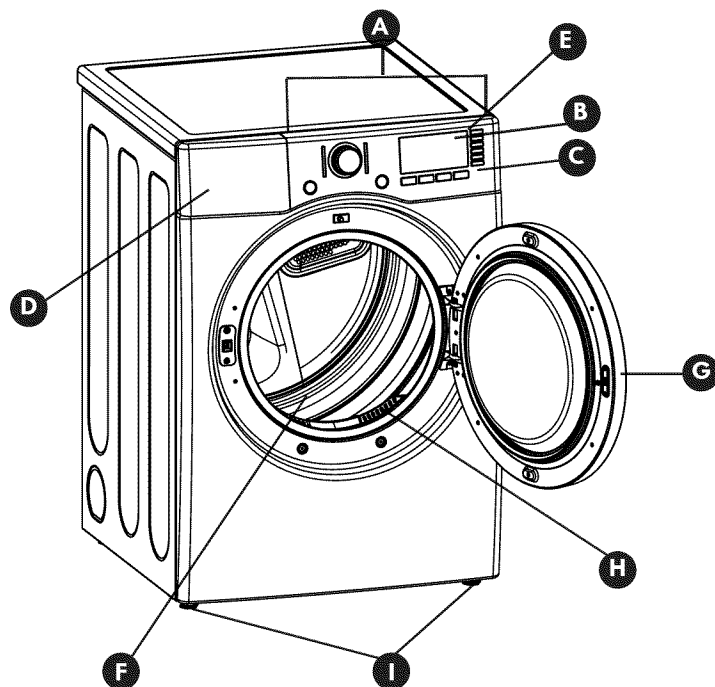
- **Bajo ninguna circunstancia, corte o quite la clavija de conexión a tierra del cable eléctrico.** Para evitar lesiones personales o daños a la secadora, el cable eléctrico debe estar conectado a una toma de corriente con la conexión a tierra adecuada.
- **Por motivos de seguridad personal, este electrodoméstico debe estar conectado a tierra adecuadamente.** Si no se cumple esta advertencia, se podrán producir descargas eléctricas o lesiones.
- **Consulte las instrucciones de instalación de este manual para obtener los requisitos eléctricos específicos de su modelo.** Si no se siguen estas instrucciones, se podrán producir descargas eléctricas y/o riesgo de incendio.
- **Esta secadora debe enchufarse a una toma de corriente conectada a tierra adecuadamente.** Si la secadora no se encuentra adecuadamente conectada a tierra, se pueden producir descargas eléctricas. Solicite a un electricista cualificado que controle la toma de corriente y el circuito eléctrico para asegurarse de que la toma de corriente está correctamente conectada a tierra. Si no se siguen estas instrucciones, se podrán producir descargas eléctricas y/o riesgo de incendio.
- **La secadora debe estar siempre enchufada a su toma de corriente individual, con la clasificación de tensión correspondiente a la placa de datos de servicio.** Esto garantiza el mejor funcionamiento y además previene la sobrecarga de los circuitos del hogar, lo cual podría ocasionar riesgos de incendio debido al recalentamiento de cables.
- **No desenchufe nunca la secadora tirando del cable de corriente. Agarre siempre el enchufe firmemente y tire del mismo para retirarlo de la toma de corriente.** El cable de corriente podría resultar dañado, lo que ocasionaría un riesgo de incendio o descarga eléctrica.
- **Repáre o reemplace de inmediato todos los cables de corriente pelados o con cualquier tipo de daño. No use un cable con cortaduras o abrasión sobre su extensión o extremos.** Este cable de corriente se puede fundir, ocasionando un riesgo de descargas eléctricas y/o incendio.
- **Al instalar o cambiar de lugar la secadora, tenga cuidado de no forzar, aplastar o dañar el cable de alimentación.** De esta manera, evitará heridas o daños debido a incendios o descargas eléctricas sobre la secadora.

**GUARDE ESTAS INSTRUCCIONES**

PIEZAS Y COMPONENTES CLAVE

Existen varios componentes importantes a los que se hace referencia en este manual.

- A PANEL DE CONTROL DE FÁCIL USO**  
Gire el mando selector de ciclo para seleccionar el ciclo de secado que desee. Añada opciones de ciclo o ajuste los valores tocando un botón.
- B PANTALLA DE TIEMPO Y ESTADO**  
La pantalla LED de fácil lectura muestra el estado del ciclo y el tiempo restante estimado.
- C MODIFICADORES DE CICLO**  
Ajuste los valores del ciclo, por ejemplo temperatura y nivel de secado, tocando un botón.  
**NOTA:** No todos los ajustes están disponibles para todos los ciclos.
- D COMPROBAR VENTILACIÓN**  
(Sistema de detección de bloqueo del conducto)  
La comprobación de ventilación (sistema de detección de bloqueo del conducto) detecta y alerta sobre la existencia de bloqueos en el sistema de ventilación que reducen el flujo de aire de la secadora. Al mantener limpios los conductos del sistema de ventilación, mejora el rendimiento, necesitará menos asistencia técnica y, por tanto, ahorrará dinero.
- E TAMBOR DE ACERO INOXIDABLE DE CAPACIDAD ULTRA GRANDE**  
El tambor de acero inoxidable de capacidad ultra grande proporciona una durabilidad superior.
- F PUERTA REVERSIBLE DE FÁCIL ACCESO**  
La puerta de cristal transparente de amplia apertura facilita el acceso para realizar la carga y descarga. El giro de apertura de la puerta puede cambiarse de sentido para ajustarse al lugar de instalación.
- G FILTRO DE PELUSAS DE MONTAJE FRONTAL**  
El filtro de pelusas de montaje frontal permite un acceso y limpieza más sencillos entre cargas.
- H PIES DE NIVELACIÓN**  
Los cuatro pies de nivelación (dos frontales y dos posteriores) se pueden ajustar para mejorar la estabilidad de la secadora sobre suelos irregulares.



Parte posterior de la secadora

## DIMENSIONES Y ESPECIFICACIONES CLAVE

Descripción	Secadora (gas y eléctrica)
Requisitos eléctricos	Consulte la etiqueta de especificaciones.
Requerimientos de gas* NG:	Columna de agua (CA) de 4–10,5 pulgadas
Requerimientos de gas* LP:	CA de 8–13 pulgadas
Dimensiones	27 pulg. (ancho) X 30 ¼ pulg. (profundidad) X 38 pulg. (alto.), 52 ¼ pulg. (profundidad con la puerta abierta) 68 cm (ancho) X 76,7 cm (profundidad) X 96,5 cm (alto), 132,7 cm (profundidad con la puerta abierta)
Peso neto	Eléctrica: 66,7 kg (147 libras) Gas: 68,37 kg (150,5 libras)
Capacidad de secado	IEC 7.3 pies cúbicos
* Sólo modelos de gas	

## REQUISITOS DE UBICACIÓN

**IMPORTANTE:** Lea completamente todas las instrucciones de instalación antes de instalar y poner en funcionamiento su secadora. Es importante que revise por completo este manual antes de instalar y utilizar su secadora. En las siguientes páginas se proporcionan instrucciones pormenorizadas acerca de las conexiones eléctricas, las conexiones de gas y los requisitos de ventilación.

### ESCOJA EL LUGAR ADECUADO

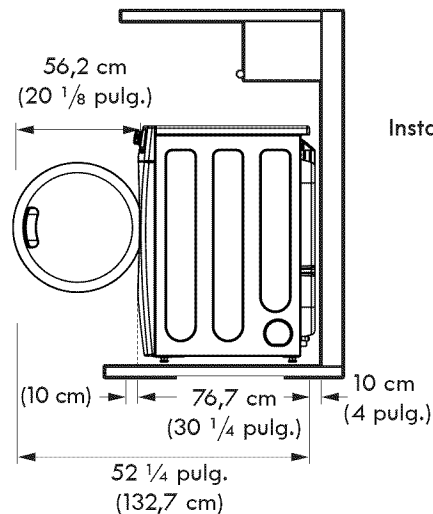
- No almacene ni instale la secadora en lugares expuestos a temperaturas de congelación ni a inclemencias meteorológicas.
- Escoja una ubicación que disponga de un suelo firme y nivelado.
- Si va a instalar la secadora en un garaje, coloque la unidad al menos a 45,7 cm (18 pulgadas) sobre el nivel del suelo.
- Conecte correctamente a tierra la secadora cumpliendo todas las normativas y ordenanzas.
- Para reducir el riesgo de descarga eléctrica, no instale la secadora en espacios húmedos ni mojados.

**IMPORTANTE:** Si va a instalar su secadora en una vivienda prefabricada o móvil, consulte la sección Requisitos eléctricos especiales para viviendas móviles o prefabricadas.

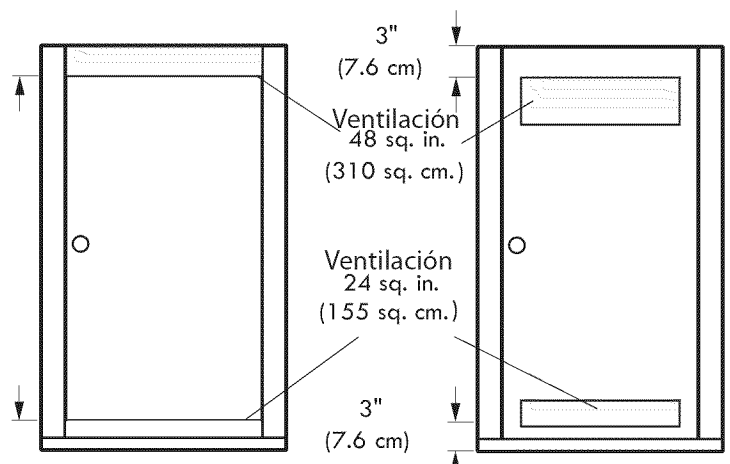
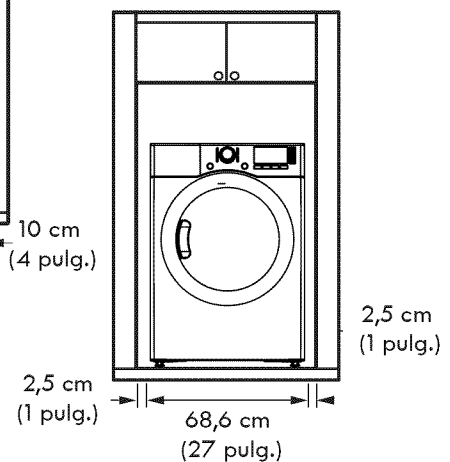
### ESPACIOS DE INSTALACIÓN

- La mayoría de las instalaciones requieren una distancia de separación mínima de 14 cm (5 ½ pulgadas) en la parte trasera de la secadora para el conducto de ventilación.
- Deje una distancia de separación mínima en los laterales y parte posterior de 2,5 cm (1 pulgada) para minimizar la vibración y el ruido.
- Se recomienda dejar una distancia de separación adicional para llevar a cabo la instalación y el mantenimiento.
- No olvide tener en cuenta las molduras de paredes, puertas o piso, que podrían aumentar la distancia de separación necesaria.
- Deje al menos 53,3 cm (21 pulgadas) en la parte frontal de la secadora para abrir la puerta.

Instalación estándar – Vista lateral



Instalación estándar – Vista frontal



Requisitos de ventilación a puerta cerrada

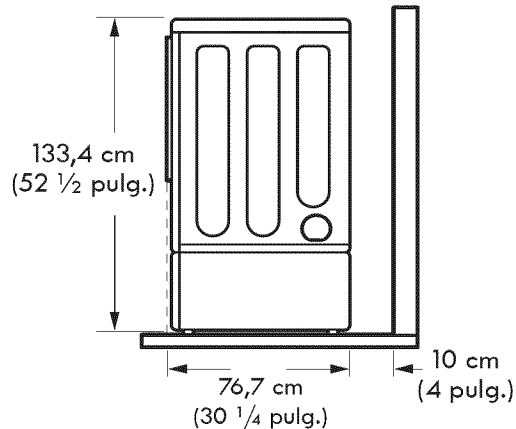
### Instrucciones adicionales para instalaciones en armario:

La puerta del armario debe permitir la entrada del flujo de aire suficiente. Consulte el esquema superior para consultar los requisitos mínimos de las aperturas de ventilación. También es aceptable la utilización de puertas de celosía.

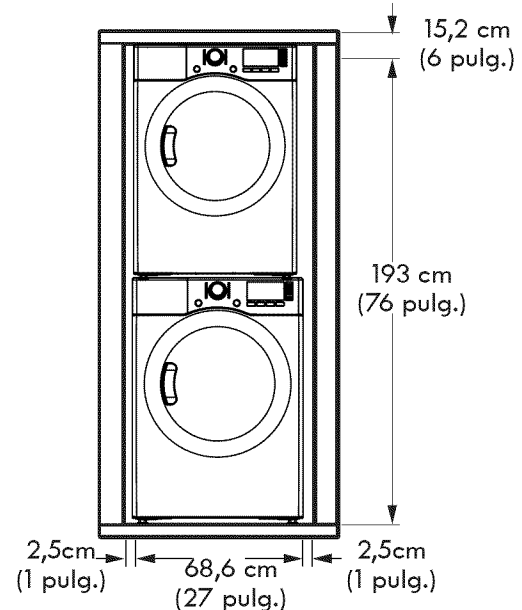
## INSTALACIÓN CON BASE DE PEDESTAL O KIT DE MONTAJE SOBRE LA LAVADORA OPCIONALES

**IMPORTANTE:** Si está instalando la secadora con una base de pedestal o un kit de montaje sobre la lavadora opcionales, consulte las instrucciones que vienen con el accesorio.

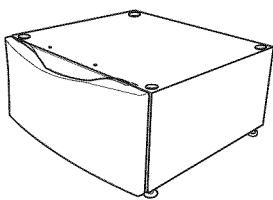
Dimensiones requeridas para la instalación con pedestal



Dimensiones requeridas para la instalación con el kit para montaje sobre la lavadora



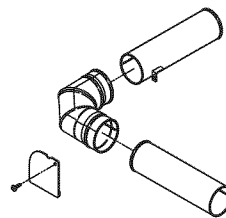
## ACCESORIOS OPCIONALES



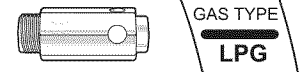
El pedestal permite alcanzar más fácilmente la ropa.  
 Blanco = 796.51022  
 Jengibre = 796.51028  
 Pimienta = 796.51029



Use el kit para montaje sobre la lavadora para crear un centro de lavado que le permitirá ahorrar espacio.  
 Chrome = D26 17013



Utilice el kit de ventilación lateral para ventilar directamente a cualquiera de los lados o a la parte inferior. Las secadoras de gas sólo pueden ventilar a la izquierda.  
 N.º de kit D26-49670



Utilice el kit de conversión de LP para cambiar las conexiones de gas de la secadora de gas natural (NG) o gas propano (LP).  
 N.º de referencia 383EEL3002D

**NOTA:** La instalación del kit de conversión de LP debe realizarla un técnico cualificado.

REQUISITOS DE GAS (SÓLO MODELOS DE GAS)

CONEXIÓN DE LAS SECADORAS DE GAS

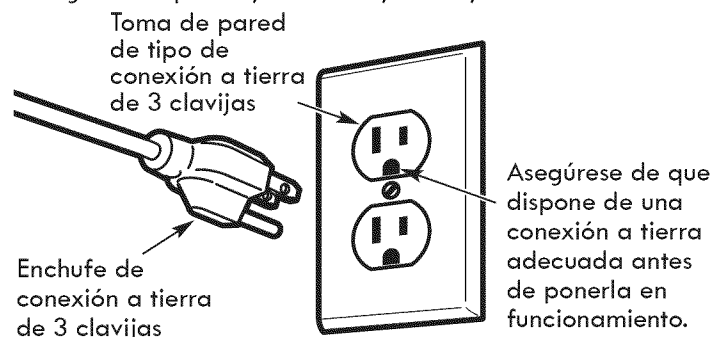
**⚠ ADVERTENCIA:** Para reducir el riesgo de incendio, descarga eléctrica o lesiones físicas al utilizar este electrodoméstico, siga estas precauciones básicas, entre las que se incluyen las siguientes:

- **Requisitos del suministro de gas:** Esta secadora viene configurada de fábrica para utilizar gas natural (NG). Es posible adaptarla para utilizarla con propano licuado (LP). La presión del gas no debe sobrepasar las 8 pulgadas de columna de agua para (NG) ni 13 pulgadas de columna de agua para (LP).
- **La conexión de la secadora al suministro de gas debe realizarla un técnico de servicio cualificado de mantenimiento o de la compañía.** Si no se siguen estas instrucciones, podrían ocasionarse riesgos de explosión, incendio o, incluso, muerte.
- **Aísle la secadora del sistema de suministro de gas cerrando su válvula manual de cierre individual durante cualquier prueba de presión del suministro de gas.** Si no se cumple con esto se podrá producir una explosión, incendio o muerte.
- **Requisitos de la línea de suministro:** Su lavadero debe disponer de una toma de suministro de gas rígida para su secadora. En Estados Unidos, debe instalarse una válvula manual de corte individual en un radio de al menos 1,8 m (6 pies) de la secadora, según el National Fuel Gas Code ANSI Z223.1 o el reglamento de instalaciones de gas canadiense CSA B149.1. Debe instalarse un tapón de tubería NPT de 1/8 pulgada. Si no se cumple con esto se podrá producir una explosión, incendio o muerte.
- **Si se utiliza una tubería rígida, debe ser IPS de 1/2 pulgada (1,25 cm).** Si lo aceptan los códigos y ordenanzas locales y su proveedor de gas, puede utilizarse tubería autorizada de 3/8 pulgada cuando la longitud sea inferior a 6,1 m (20 pies). Deberá utilizarse tubería de mayor sección para longitudes que excedan los 6,1 m (20 pies). Si no se cumple con esto se podrá producir una explosión, incendio o muerte.
- **Conecte la secadora al tipo de gas que se indique en la placa de identificación.** Si no se cumple con esto se podrá producir una explosión, incendio o muerte.
- **Para evitar contaminación procedente de la válvula de gas, purgue el aire y los sedimentos del suministro de gas antes de conectarlo a la secadora. Antes de apretar la conexión entre el suministro de gas y la secadora, purgue el aire residual hasta que perciba olor a gas.** Si no se cumple con esto se podrá producir una explosión, incendio o muerte.
- **NO utilice una llama abierta para buscar fugas de gas. Utilice un líquido de detección de fugas no corrosivo.** Si no se cumple con esto se podrá producir una explosión, incendio o muerte.
- **Utilice únicamente una toma de suministro de gas certificada AGA o CSA con conectores de acero inoxidable flexible.** Si no se cumple con esto se podrá producir una explosión, incendio o muerte.
- **Apriete firmemente todas las conexiones de gas.** Si no se cumple con esto se podrá producir una explosión, incendio o muerte.
- **Utilice cinta de teflón o un sellador de tubos que sea insoluble en gas propano licuado (LP) en todas las tuberías.** Si no se cumple con esto se podrá producir una explosión, incendio o muerte.
- **NO intente desmontar la secadora; cualquier desmontaje requiere la atención y las herramientas de un técnico o compañía de servicio autorizada y cualificada.** Si no se sigue esta advertencia, podrían ocasionarse riesgos de explosión, incendio o, incluso, muerte.

REQUISITOS ELÉCTRICOS SÓLO PARA MODELOS DE GAS

- **Bajo ninguna circunstancia, corte o quite la tercera clavija (de puesta a tierra) del cable eléctrico.** Si no se sigue esta advertencia, podrían ocasionarse riesgos de explosión, incendio o, incluso, muerte.
- **Por motivos de seguridad personal, este electrodoméstico debe estar conectado a tierra adecuadamente.** Si no se sigue esta advertencia, podrían ocasionarse riesgos de explosión, incendio o, incluso, muerte.
- **El cable de alimentación de esta secadora está equipado con un enchufe de tres clavijas (de puesta a tierra) que coincide con una toma de corriente para tres clavijas (de puesta a tierra) para así minimizar la posibilidad de descarga eléctrica de este electrodoméstico.** Si no se sigue esta advertencia, podrían ocasionarse riesgos de explosión, incendio o, incluso, muerte.

- **Esta secadora debe enchufarse a una toma de pared con puesta a tierra de 120 V de CA, 60 Hz, protegida mediante un fusible o un disyuntor de 15 A.** Si no se sigue esta advertencia, podrían ocasionarse riesgos de explosión, incendio o, incluso, muerte.
- **Si únicamente se dispone de una toma de corriente de 2 clavijas, será responsabilidad y obligación suya sustituirlo por otra de 3 clavijas, de puesta a tierra, y adecuada para este uso.** Si no se sigue esta advertencia, podrían ocasionarse riesgos de explosión, incendio o, incluso, muerte.



## CONEXIÓN DE LAS SECADORAS DE GAS (continuación)

**⚠ ADVERTENCIA:** Para reducir el riesgo de incendio, descarga eléctrica o lesiones físicas al utilizar este electrodoméstico, siga estas precauciones básicas, entre las que se incluyen las siguientes:

- La instalación y el servicio deben ser realizados por un técnico cualificado, una agencia de mantenimiento o la compañía de gas. Si no se cumple con esto se podrá producir una explosión, incendio o muerte.
- Utilice únicamente un conector flexible de acero inoxidable y un conector certificado AGA nuevos. Si no se cumple con esto se podrá producir una explosión, incendio o muerte.
- Debe instalarse una válvula de corte de gas en un radio de 1,8 m (6 pies) de la secadora. Si no se cumple con esto se podrá producir una explosión, incendio o muerte.
- La secadora viene configurada de fábrica para utilizar gas natural. Asegúrese de que la secadora está equipada con la boquilla de quemador adecuada al tipo de gas que está utilizando (gas natural o gas propano). Si no se cumple con esto se podrá producir una explosión, incendio o muerte.
- Si fuese necesario, la boquilla adecuada (para el kit de boquilla de LP, solicite el número de referencia 383EEL3002D) debe instalarla un técnico cualificado, indicando el cambio en la secadora. Si no se cumple con esto se podrá producir una explosión, incendio o muerte.
- Todas las conexiones deben realizarse conforme a los códigos y normativas locales. Si no se cumple con esto se podrá producir una explosión, incendio o muerte.
- Las secadoras de gas **DEBEN** evacuar al exterior. Si no se cumple con esto se podrá producir una explosión, incendio o muerte.

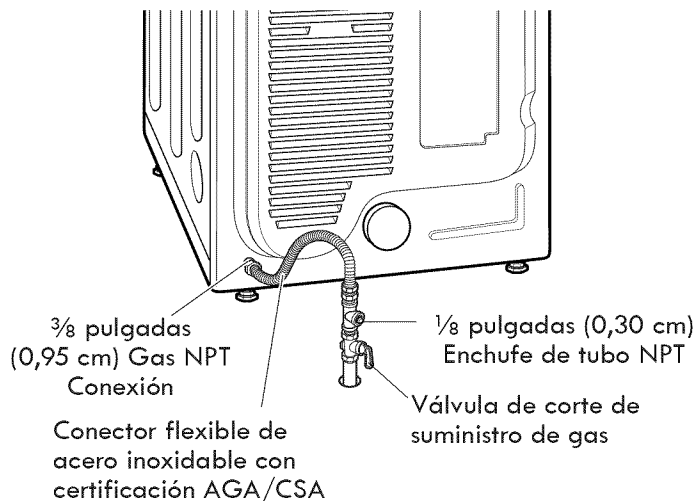
### Conexión al suministro de gas

**NOTA:** Esta secadora viene configurada de fábrica para usar gas natural (NG). Si la secadora va a utilizarse con gas propano (LP), deberá adaptarla un técnico de servicio cualificado.

- 1 Asegúrese de que el suministro de gas que da servicio al lavadero esté **CORTADO** y que la secadora esté desenchufada. Confirme que el tipo de gas disponible en su lavadero es el adecuado para la secadora.
- 2 Retire el tapón de transporte del adaptador de gas situado en la parte posterior de la secadora. Asegúrese de no dañar las roscas del conector de gas al retirar el tapón de transporte.
- 3 Conecte la secadora al suministro de gas del lavadero utilizando un conector de acero inoxidable flexible con un adaptador NPT de  $\frac{3}{8}$  pulgadas.

**NOTA:** NO utilice conectores viejos.

- 4 Apriete firmemente todas las conexiones entre la secadora y el suministro de gas del cuarto de lavado.
- 5 Active el suministro de gas.
- 6 Compruebe todas las conexiones de los conductos (tanto internas o externas) en busca de posibles fugas de gas utilizando un líquido de detección de fugas no corrosivo.
- 7 Continúe con los requisitos de ventilación.



### Instalaciones en altitudes elevadas

La clasificación BTU de esta secadora tiene certificación AGA para cotas inferiores a 10.000 pies.

Si va a instalar su secadora en una cota superior a 10.000 pies, un técnico cualificado o proveedor de gas deberá reducir su capacidad eléctrica.

## REQUISITOS ELÉCTRICOS

### CONEXIÓN DE LAS SECADORAS ELÉCTRICAS

**⚠ ADVERTENCIA:** Para ayudar a prevenir incendios, descargas eléctricas, lesiones graves o incluso la muerte, el cableado y la puesta a tierra deben cumplir la edición más reciente del National Electrical Code, ANSI/NFPA 70 y todas las normativas locales de aplicación. Póngase en contacto con un electricista cualificado para comprobar el cableado y los fusibles de su vivienda para asegurarse de que dispone de la potencia eléctrica adecuada para utilizar la secadora.

#### Requisitos eléctricos especiales para viviendas móviles o prefabricadas

**⚠ ADVERTENCIA:** Para reducir el riesgo de incendio, descarga eléctrica o lesiones físicas al utilizar este electrodoméstico, siga estas precauciones básicas, entre las que se incluyen las siguientes:

- Cualquier instalación en una vivienda prefabricada o móvil debe cumplir con las directrices del *Manufactured Home Construction and Safety Standards*, título 24 CFR, sección 3280 ó con el estándar *CAN/CSA Z240 MH* y los códigos y ordenanzas locales.
- Es necesaria una conexión tetrafilar para las instalaciones realizadas en todas las viviendas móviles y prefabricadas, así como toda nueva construcción a partir del 1 de enero de 1996. Si no se cumple con esto se podrá producir una explosión, incendio o muerte.

#### Requisitos eléctricos sólo para modelos eléctricos

**⚠ ADVERTENCIA:** Para reducir el riesgo de incendio, descarga eléctrica o lesiones físicas al utilizar este electrodoméstico, siga estas precauciones básicas, entre las que se incluyen las siguientes:

- Esta secadora debe conectarse a un sistema de cableado permanente metálico con conexión a tierra o se debe tender un conductor para la conexión a tierra del equipo con los conductores del circuito y conectado al terminal de conexión a tierra del equipo o al conductor de suministro de la secadora. Si no se cumple con esto se podrá producir una explosión, incendio o muerte.
- La secadora dispone de un bloque de terminales propio que debe conectarse a un circuito monofásico independiente de 240 V de CA y 60 Hz, con fusible de 30 A. El circuito debe disponer de fusibles en ambos extremos de la línea. **EL SERVICIO ELÉCTRICO PARA LA SECADORA DEBE SER DEL MÁXIMO VOLTAJE NOMINAL INDICADO EN LA PLACA DE ESPECIFICACIONES. NO CONECTE LA SECADORA A UN CIRCUITO DE 110, 115 Ó 120 VOLTIOS.** Si no se siguen estas instrucciones, podrían ocasionarse riesgos de explosión, incendio o, incluso, muerte.
- Si el ramal del circuito a la secadora tiene una longitud igual o inferior a 4,5 m (15 pies), utilice el cable AWG n.º 10 con clasificación UL (Underwriters Laboratories) (sólo cable de cobre) o el que requieran las normativas locales. Si supera los 4,50 m (15 pies), utilice el cable AWG n.º 8 con clasificación UL (sólo cable de cobre) o el que requieran las normativas locales. Permita la suficiente holgura en el cableado para que la secadora pueda ser desplazada de su ubicación habitual cuando sea necesario. Si no se cumple con esto se podrá producir una explosión, incendio o muerte.
- La conexión del cable de alimentación (cable flexible de conexión) entre la toma de pared y el bloque de terminales de la secadora **NO SE INCLUYE** con la unidad. El tipo de cable flexible de conexión y su calibre deben cumplir las normativas locales y las instrucciones que se proporcionan en las páginas siguientes. Si no se siguen estas instrucciones, podrían ocasionarse riesgos de explosión, incendio o, incluso, muerte.
- Es necesario disponer de una conexión tetrafilar en toda nueva construcción a partir del 1 de enero de 1996. Debe utilizarse una conexión tetrafilar allí donde las normativas locales no permitan la puesta a tierra a través del cable neutro. Si no se cumple esta advertencia, se podrá producir una explosión, incendio o muerte.

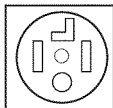
**CONEXIÓN DE LAS SECADORAS ELÉCTRICAS (continuación)**

**CONEXIÓN DE LAS SECADORAS ELÉCTRICAS**

**⚠ ADVERTENCIA:**

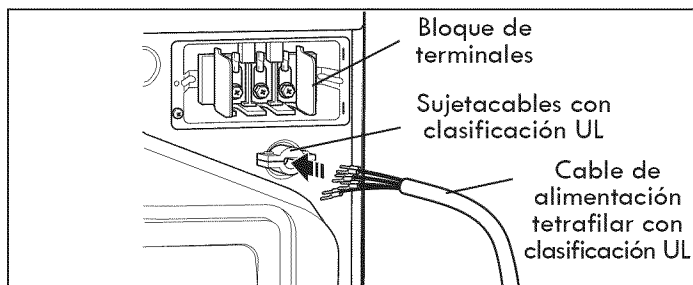
Conecte el cable de alimentación a la caja de terminales. Conecte cada uno de los conductores del cable de alimentación al tornillo de la caja de terminales que tenga el conductor del mismo color. Por ejemplo, conecte el conductor negro del cable de alimentación al tornillo de la caja de terminales que tiene el conductor negro. En caso de no seguir estas instrucciones, se podría producir un cortocircuito, una sobrecarga, incendio o muerte.

**Cable de alimentación tetrafililar**

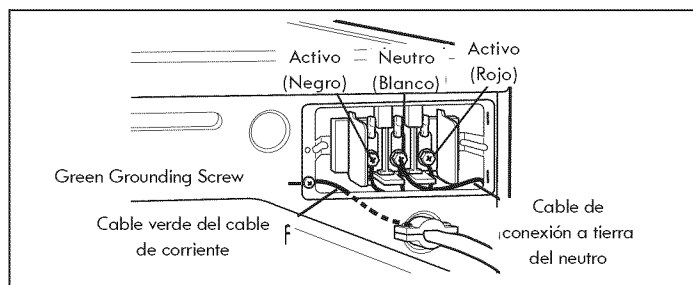


• Es obligatorio disponer de una conexión tetrafililar para las instalaciones realizadas en todas las viviendas móviles y prefabricadas, así como toda nueva construcción a partir del 1 de enero de 1996.

- Es preciso disponer de un sujetacables con clasificación UL.
- Instale un cable eléctrico tetrafililar de **30 amperios, 240 V y con clasificación UL con un conductor de cobre N° 10 AWG como mínimo** y terminales de bucle cerrado o de horquilla con extremos doblados hacia arriba.



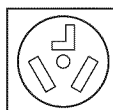
- 1 Retire la tapa de acceso al bloque de terminales situado en la sección superior de la parte posterior de la secadora.
- 2 Instale un sujetacables con clasificación UL dentro del orificio de paso del cable de alimentación.
- 3 Introduzca un cable de alimentación tetrafililar de 30 A, 240 V y con clasificación UL con conductor de cobre mínimo AWG n.º 10 a través del sujetacables.



- 4 Cambie el cable de tierra de la secadora de la parte posterior del tornillo verde de conexión a tierra al tornillo central del bloque de terminales.
- 5 Fije los dos cables activos (negro y rojo) del cable de alimentación a los tornillos del bloque de terminales exteriores.
- 6 Fije el cable neutro blanco al tornillo central del bloque de terminales.
- 7 Fije el hilo de conexión a tierra del cable de alimentación al tornillo de tierra verde.
- 8 **APRIETE FIRMEMENTE TODOS LOS TORNILLOS.**
- 9 Vuelva a colocar la tapa de acceso al bloque de terminales.

La puesta a tierra a través del conductor neutro está prohibida para: (1) nuevas instalaciones de circuitos derivados, (2) viviendas móviles, (3) vehículos recreativos y (4) zonas en las que los códigos locales prohíban la puesta a tierra a través del conductor neutro.

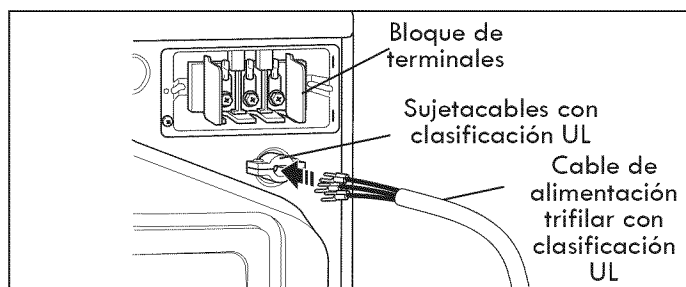
**Cable de alimentación trifilar**



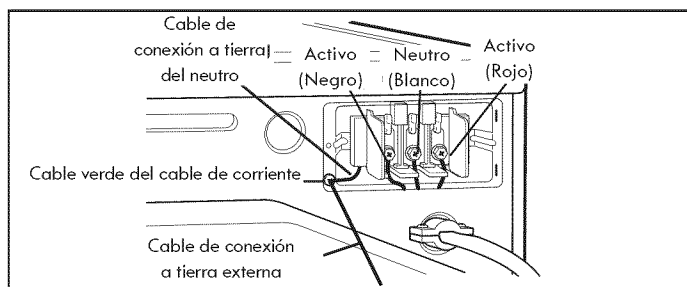
• **NO** están permitidas las conexiones trifilares en nuevas construcciones a partir del 1 de enero de 1996.

• Es preciso disponer de un sujetacables con clasificación UL.

- Instale un cable eléctrico trifilar de 30 amperios, 240 V, con clasificación UL y con un conductor de cobre n.º 10 AWG como mínimo y terminales de bucle cerrado o de horquilla con extremos doblados hacia arriba.



- 1 Retire la tapa de acceso al bloque de terminales situado en la sección superior de la parte posterior de la secadora.
- 2 Instale un sujetacables con clasificación UL dentro del orificio de paso del cable de alimentación.
- 3 Introduzca un cable de alimentación trifilar de 30 A, 240 V y con clasificación UL con conductor de cobre mínimo AWG n.º 10 a través del sujetacables.



- 4 Fije los dos cables activos (negro y rojo) del cable de alimentación a los tornillos del bloque de terminales exteriores.
- 5 Fije el cable neutro (blanco) al tornillo central del bloque de terminales.
- 6 Conecte la puesta a tierra externa (si lo exigen las normativas locales) al tornillo verde de conexión a tierra.
- 7 **APRIETE FIRMEMENTE TODOS LOS TORNILLOS.**
- 8 Vuelva a colocar la tapa de acceso al bloque de terminales.

**VENTILACIÓN DE LA SECADORA**

**¡IMPORTANTE! COMPRUEBE LA EXISTENCIA DE PROBLEMAS EN SU SISTEMA DE EVACUACIÓN**

La causa más habitual de problemas en la secadora es una **ventilación deficiente**. Antes de instalar su nueva secadora, compruebe los elementos enumerados a continuación para garantizar el mejor rendimiento posible. De esta manera, podrá ahorrar tiempo y dinero al reducir los tiempos de los ciclos y aumentar la eficiencia energética.

• **CONDUCTOS DE VENTILACIÓN SUCIOS O DAÑADOS.**

Se produce una acumulación de pelusas con el paso del tiempo en los conductos de ventilación, lo que reduce el flujo de aire y aumenta el trabajo de la secadora. Inspeccione visualmente los conductos desde ambos extremos y límpielos si no lo ha hecho recientemente.

• **MATERIAL INADECUADO DE LOS CONDUCTOS DE VENTILACIÓN.** Compruebe que los conductos de ventilación son de metal rígido o semirrígido. Si los conductos de ventilación son de plástico o lámina metálica flexible, sustitúyalos antes de utilizar la secadora.

• **EXTRACTOR OBSTRUIDO O DAÑADO.** Compruebe su extractor exterior. Debe estar limpio y libre de acumulaciones de pelusas. Compruebe el regulador de tiro y asegúrese de que se abre fácilmente y por completo.

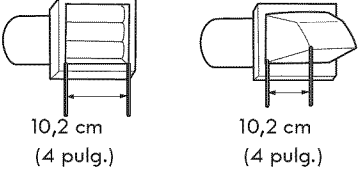
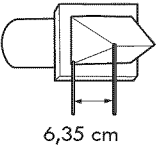
• **CONDUCTO DE VENTILACIÓN DE LONGITUD EXCESIVA.** Mida la longitud de su sistema de ventilación y cuente los codos. Utilice el cuadro que aparece a continuación para comprobar si su conducto es demasiado largo. Si lo es, rediríjalo de forma que cumpla las directrices de ventilación.

• **NO UTILICE CONDUCTOS DE VENTILACIÓN DE PLÁSTICO O LÁMINA METÁLICA.** El conducto de paso desde su secadora a la pared debe ser rígido o semirrígido. Si su viejo conducto de paso es de plástico o de lámina metálica, **SUSTITÚYALO** por un conducto metálico semirrígido.

**Uso del CUADRO DE LONGITUDES DEL CONDUCTO (a continuación)**

- 1 Busque el tipo de extractor de pared en el cuadro siguiente.
- 2 Seleccione la fila que coincida con el número de codos requeridos en el recorrido del conducto de la secadora.
- 3 Lea a la derecha del número de codos la longitud máxima del conducto para la instalación. Una mayor longitud de conducto ocasionará una menor eficacia de secado, tiempos de secado más prolongados y un mayor consumo de energía. Si el recorrido del conducto es extremadamente largo, es posible que se reduzca la vida útil de la secadora.

NO supere la longitud máxima para el tipo de extractor y número de codos del conducto utilizado.

Tipo de extractor	Número de codos de 90°	Longitud máxima de conducto metálico rígido de 10,2 cm (4 pulgadas) de diámetro
<p>Recomendado</p>  <p>10,2 cm (4 pulg.)</p>	0	19,8 m (65 pies)
	1	16,8 m (55 pies)
	2	14,3 m (47 pies)
	3	11,0 m (36 pies)
	4	8,5 m (28 pies)
<p>Sólo para instalaciones de recorrido corto</p>  <p>6,35 cm</p>	0	16,8 m (55 pies)
	1	14,3 m (47 pies)
	2	12,5 m (41 pies)
	3	9,1 m (30 pies)
	4	6,7 m (22 pies)

**NOTA:** Reste 1,8 m (6 pies) por cada codo adicional. No se recomienda utilizar más de cuatro codos de 90°.

## VENTILACIÓN DE LA SECADORA (continuación)

### Colocación y conexión de los conductos

Siga las directrices expuestas a continuación para lograr un funcionamiento óptimo de la secadora y reducir la acumulación de pelusa y la condensación en los conductos.

**NOTA:** Los conductos de paso (de la secadora a la pared) y las uniones NO se incluyen, por lo que **deberán** adquirirse por separado.

- Utilice un conducto metálico rígido o semirrígido de 102 mm (4 pulgadas) de diámetro.
- El recorrido del conducto de ventilación debe ser lo más corto posible.
- Utilice la mínima cantidad posible de uniones en codo.
- El extremo macho de cada sección del conducto de ventilación **debe** apuntar hacia fuera de la secadora. Véase la figura en la parte inferior derecha de la página.
- Utilice cinta para conductos en todas las uniones. No utilice nunca tornillos.
- Aísle los conductos que pasen a través de áreas no calefactadas con el fin de reducir la condensación y la acumulación de pelusa sobre la superficie del conducto.
- La longitud total de un conducto metálico de transición semirrígido no deberá exceder los 2,4 m (8 pies).

**⚠ ADVERTENCIA:** Si no se siguen estas directrices ocasionará un rendimiento deficiente, fallos del producto y/o podría producir incendios o riesgo de muerte.

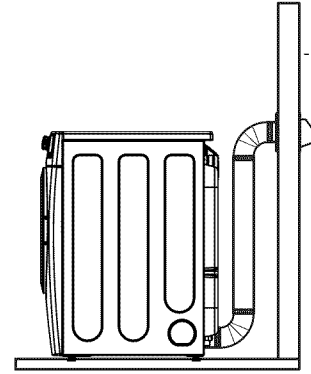
**IMPORTANTE:** Si no se ventila la secadora según las directrices incluidas en estas instrucciones, el rendimiento de la unidad podría no ser satisfactorio. Toda la ventilación y conductos externos a la propia secadora son responsabilidad del consumidor. Los fallos en el producto como consecuencia de una ventilación inadecuada no quedan cubiertos por la garantía del fabricante.

### Conexión del conducto de ventilación de la secadora

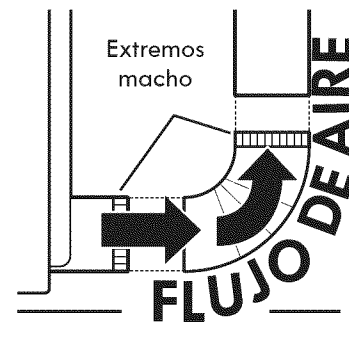
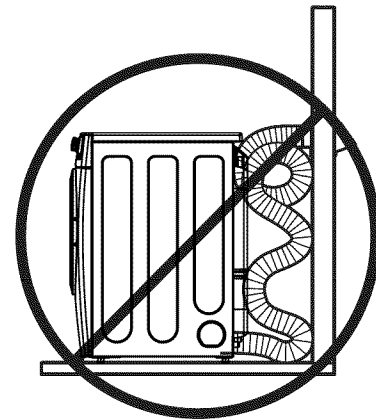
- 1 Compruebe que todos los conductos y codos estén limpios y libres de obstrucciones.
- 2 Mida la longitud del conducto. NO sobrepase la longitud máxima que se indica.
- 3 Conecte la ventilación de la secadora a los conductos existentes.

- Utilice únicamente cinta o abrazaderas para conductos.
- NO utilice tornillos para sujetar los conductos.
- Utilice conductos metálicos rígidos o semirrígidos.
- NO utilice tubos de plástico ni de lámina metálica para los conductos.
- El extremo macho de cada codo debe apuntar siempre en el sentido del flujo de aire.

Ventilación correcta



Ventilación incorrecta



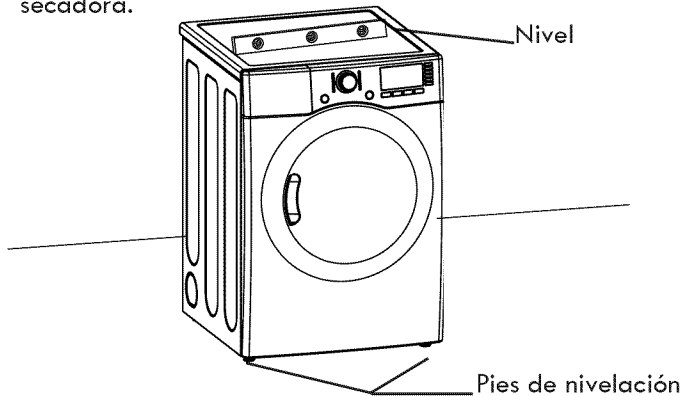
## NIVELACIÓN DE LA SECADORA

### ⚠ ADVERTENCIA:

- Utilice guantes durante la instalación.
- Si no se siguen estas instrucciones puede provocar lesiones físicas.

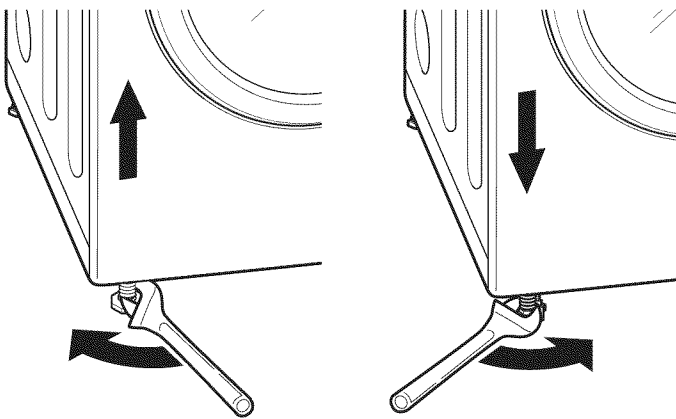
Para asegurarse de obtener un secado óptimo, la secadora debe estar nivelada. Para minimizar la vibración, los ruidos y los movimientos no deseados, el piso deberá ser una superficie perfectamente nivelada y sólida.

**NOTA:** Ajuste los pies de nivelación sólo lo necesario para nivelar la secadora. Si se extienden los pies de nivelación más de lo necesario, se pueden provocar vibraciones en la secadora.



- 1 Coloque la secadora en su ubicación final. Coloque un nivel sobre la parte superior de la secadora.

Las cuatro patas niveladoras deben apoyarse firmemente en el piso. Presione ligeramente las esquinas superiores de la secadora para asegurarse de que no existe desequilibrio entre ellas.



- 2 Use una llave inglesa para girar los pies de nivelación. Gire el pie de nivelación en sentido horario para elevar la secadora y gírelo en sentido antihorario para bajarla. Con un nivel, ajuste los pies hasta que la secadora quede nivelada de lado a lado y de adelante hacia atrás. Asegúrese de que los cuatro pies están en contacto directo con el suelo.

**NOTA:** Si desea instalar la secadora sobre el pedestal opcional, deberá retraer completamente los pies de nivelación. Utilice los pies de nivelación del pedestal para nivelar la secadora.

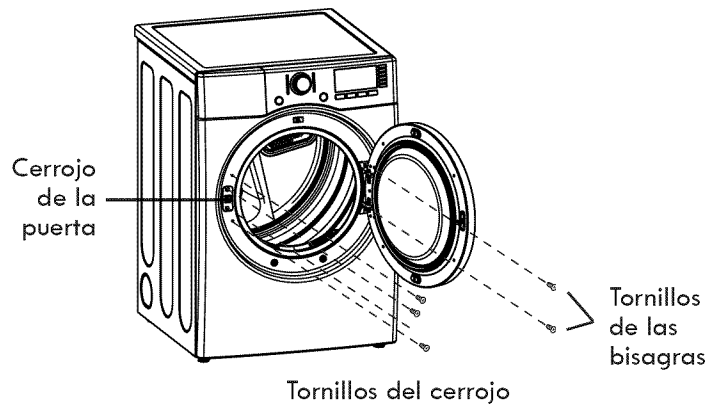
## INVERSIÓN DE LA PUERTA

El sentido de la basculación de la puerta de la secadora se puede invertir para adaptarlo al sitio de instalación.

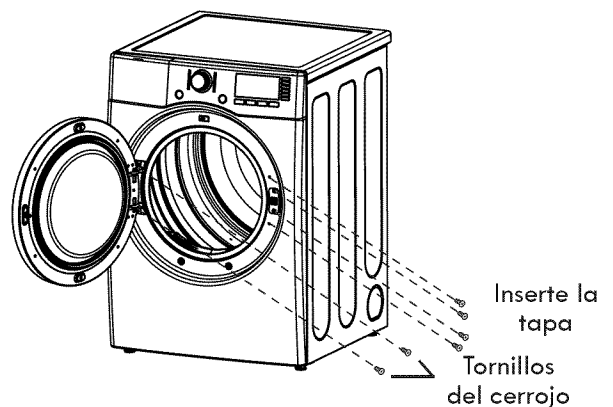
### ⚠ ADVERTENCIA:

**LA PUERTA DE LA SECADORA ES MUY GRANDE Y PESADA.** Si no se siguen las instrucciones que se indican a continuación, se pueden producir daños en la secadora, daños materiales o lesiones personales.

- Para evitar daños a la secadora o la puerta, sostenga la puerta con un banco o una caja del tamaño adecuado o busque a otra persona que le ayude a sostenerla.
- Voltee la puerta ANTES de montar la secadora sobre la lavadora
- Tenga cuidado de no dejar caer la puerta para evitar daños en ella o el piso.



- 1 Abra la puerta de la secadora.
- 2 Con un destornillador Phillips, saque los dos tornillos del cerrojo y retire el cerrojo.
- 3 Para sacar las dos tapas que están arriba y abajo del cerrojo, gírelas ligeramente hacia la derecha.
- 4 Mientras sostiene la puerta, saque los cuatro tornillos de las bisagras.
- ⚠ **PRECAUCIÓN:** Asegúrese de que puede sostener el peso de la puerta antes de retirar los tornillos de la bisagra.
- 5 Voltee la puerta con cuidado e instálela nuevamente en el lado opuesto, usando los tornillos que retiró en el paso 4.

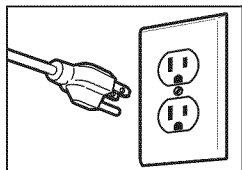


- 6 Instale el cerrojo de la puerta en la abertura que está en el lado desde el cual se retiró la puerta, usando los tornillos del paso 2.
- 7 Coloque nuevamente las tapas que retiró en el paso 3 en los orificios arriba y abajo del cerrojo en donde la puerta estaba colocada originalmente.
- 8 Verifique que la puerta funcione correctamente y asegúrese de que el cerrojo cierre bien.

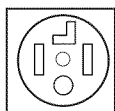
## COMPROBACIÓN FINAL DE LA INSTALACIÓN

Una vez finalizada la instalación y colocada la secadora en su posición final, compruebe que la secadora funciona correctamente realizando los siguientes pasos y pruebas.

- 1 ¿Está ABIERTO el gas? (Sólo modelos de gas)
- 2 ¿Está enchufada la secadora? La secadora debe estar siempre enchufada a una toma de corriente adecuada.



Las secadoras de gas requieren una toma de corriente de 120 V de CA, 60 Hz y tres clavijas con toma de tierra.



Las secadoras requieren una conexión tetrafilar para las todas instalaciones realizadas en viviendas móviles o prefabricadas, así como en todas las nuevas construcciones a partir del 1 de enero de 1996.

-- O --



Conexión trifilar.  
**NOTA:** NO se permiten las conexiones trifilares en nuevas construcciones a partir del 1 de enero de 1996.

- 3 ¿Está conectado el conducto de paso de la secadora a la pared? Asegúrese de que el conducto de transición situado detrás de la secadora esté correctamente conectado y no esté aplastado ni dañado.
- 4 ¿Está nivelada la secadora? Una vez situada la secadora en su posición final, vuelva a comprobar que la secadora esté nivelada. Asegúrese de que está nivelada de lado a lado y de adelante hacia atrás, y de que los cuatro pies de nivelación se apoyan firmemente sobre el suelo.
- 5 ¿Se calienta normalmente la secadora? Realice la siguiente prueba de calentamiento de la secadora.

## Prueba de calentamiento de la secadora

- 1 Cierre la puerta de la secadora.
- 2 Presione el botón POWER para encender la secadora.
- 3 Gire el mando del selector de ciclo hasta el ciclo de secado normal.
- 4 Presione START/PAUSE para poner en funcionamiento la secadora. Después de tres minutos, abra la puerta de la secadora y compruebe si el aire del interior está tibio.

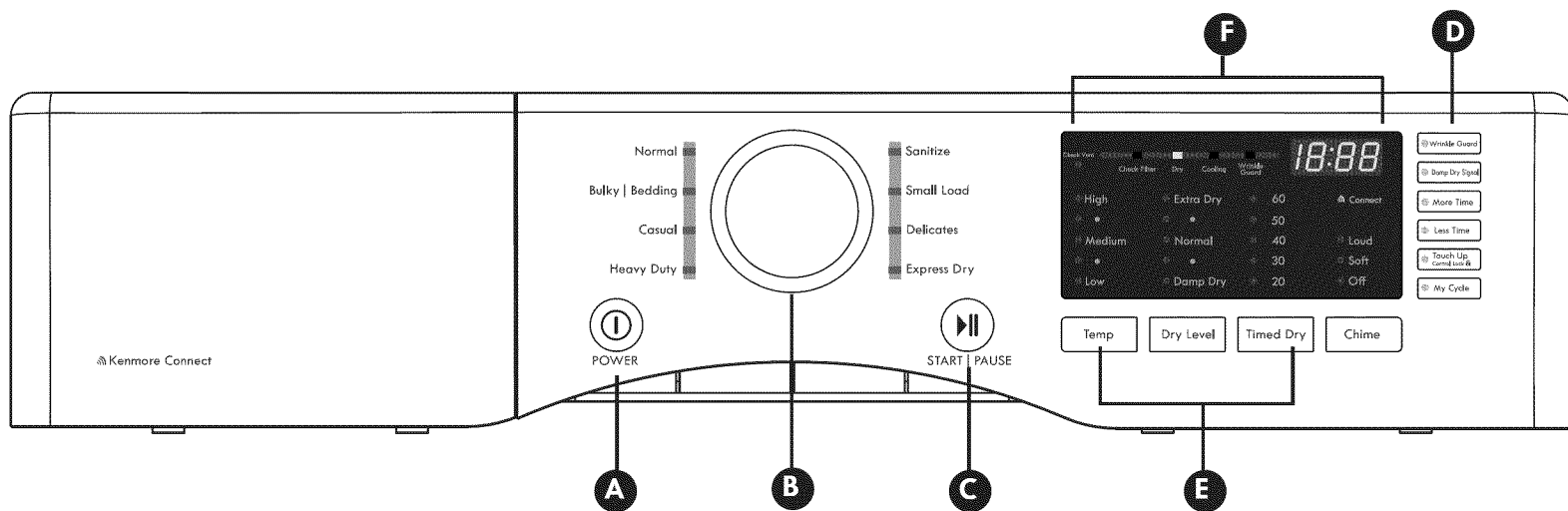
**NOTA:** Si después de tres minutos, el aire dentro de la secadora no está tibio, es posible que haya aire en la línea de suministro de gas hacia la secadora y que el encendedor de gas se esté apagando antes de encender el quemador principal. Si esto sucede, el encendedor seguirá tratando de encender el quemador principal hasta que haya salido todo el aire de la línea. Cuando ocurra el encendido, se calentará el aire en el interior de la secadora.

## Comprobación de la ventilación

Debe comprobarse si hay acumulaciones de pelusa en el conducto de ventilación y limpiarlo al menos una vez al año. Si se produce cualquier reducción apreciable en el rendimiento del secado, compruebe los conductos en busca de obstrucciones y bloqueos.

**! ADVERTENCIA:** Para reducir el riesgo de incendio, descarga eléctrica o lesiones personales, lea completamente este manual, incluyendo las instrucciones importantes sobre seguridad, antes de poner en funcionamiento la secadora.

**FUNCIONES DEL PANEL DE CONTROL**



**A BOTÓN POWER (ENCENDER/APAGAR)**

Presione este botón para ENCENDER la secadora. Presiónelo de nuevo para APAGAR la secadora. Al presionar el botón POWER durante un ciclo, se cancelará dicho ciclo y cualquier ajuste de carga se perderá.

**B PERILLA DEL SELECTOR DE CICLO**

El mando del selector de ciclo se utiliza para seleccionar el ciclo de secado deseado girándolo en cualquier sentido hasta que el LED ilumine dicho ciclo. Una vez seleccionado el ciclo deseado, se mostrarán en pantalla los ajustes estándar para dicho ciclo. Estos ajustes pueden cambiarse utilizando los botones modificadores de ciclo o de opción en cualquier momento antes de que el ciclo comience .

**C BOTÓN START/PAUSE**

Presione este botón para iniciar el ciclo seleccionado. La pantalla cambiará y la secadora mostrará el tiempo restante estimado (SECADO AUTOMÁTICO) o ajustado (SECADO MANUAL) y comenzará a girar. Para detener temporalmente el ciclo en cualquier momento, abra la puerta de la secadora o presione el botón START/PAUSE. Para reanudar el ciclo desde el punto en que se detuvo, presione de nuevo el botón START/PAUSE.

**NOTA:** Si la secadora ha estado detenida durante más de cuatro minutos, se apagará automáticamente.

**D BOTONES DE OPCIÓN**

Los botones de opción le permitirán seleccionar las opciones utilizadas para el ciclo. Algunos botones de opción tienen funciones secundarias. Los controles se pueden bloquear o desbloquear manteniendo presionado el botón CONTROL LOCK durante cinco segundos.

**E BOTONES MODIFICADORES DE CICLO**

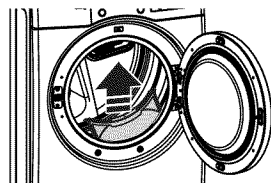
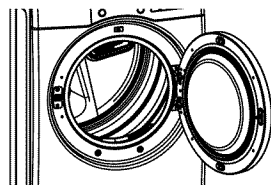
Utilice estos botones para definir los ajustes del ciclo seleccionado. Los indicadores luminosos ubicados sobre los botones muestran la selección actual. El ajuste predeterminado de temperatura no se puede cambiar en los ciclos de SECADO POR SENSOR. Los ciclos de SECADO AUTOMÁTICO se pueden modificar utilizando el botón DRY LEVEL.

**F PANTALLA DE TIEMPO Y ESTADO**

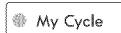
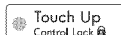
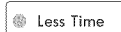
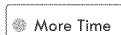
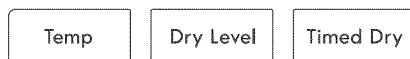
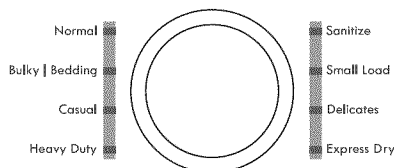
La pantalla muestra el tiempo restante estimado para los ciclos automáticos y el tiempo que ha transcurrido para los ciclos manuales. También se indica el estado del ciclo. El indicador de COMPROBACIÓN DE VENTILACIÓN se encenderá si hay una obstrucción grave en el sistema de ventilación.

**NOTA:** Para proteger sus tejidos, no todos los ajustes se admiten en todos los ciclos.

## FUNCIONAMIENTO DE LA SECADORA



POWER



START/PAUSE



- 1 CARGAR LA SECADORA**  
Cargue en la secadora la colada húmeda procedente de la lavadora. Si la carga es muy grande, deberá dividirla en cargas más pequeñas para obtener un buen rendimiento y proteger los tejidos.
- 2 LIMPIAR EL FILTRO DE PELUSAS**  
Si aún no ha limpiado el filtro de pelusas, extráigalo y elimine las pelusas procedentes de la última carga. De esta manera, se asegurará la máxima eficacia y rapidez del secado.
- 3 ENCENDER LA SECADORA**  
Presione el botón POWER para ENCENDER la secadora. Los LED de ciclo se iluminarán y se emitirá un aviso sonoro.
- 4 SELECCIONAR UN CICLO**  
Gire el mando del selector de ciclo en cualquier sentido hasta que se ilumine el LED del ciclo que desee. Se mostrarán los ajustes predefinidos de temperatura, nivel de secado y opción para este ciclo.
- 5 SELECCIONAR LOS MODIFICADORES DE CICLO**  
Los ajustes predeterminados para el ciclo seleccionado se pueden cambiar ahora si lo desea, utilizando los botones de temperatura y nivel de secado.  
**NOTA:** No todas las opciones y modificadores están disponibles para todos los ciclos. La temperatura sólo se puede ajustar para los ciclos de secado manual; el nivel de secado sólo está disponible para los ciclos de secado automático. Sonará un aviso sonoro diferente y el LED no se iluminará si no se permite una determinada selección.
- 6 SELECCIONAR LAS OPCIONES DE CICLO**  
Se pueden añadir opciones de ciclos utilizando los botones de opción tal como se muestra (antiarrugas, antiestática, bloqueo de los controles).  
**NOTA:** No todas las opciones y modificadores están disponibles para todos los ciclos. Sonará un aviso sonoro diferente y el LED no se encenderá si no se permite una determinada selección.
- 7 INICIAR EL CICLO**  
Presione el botón START/PAUSE para que comience el ciclo. Se puede detener temporalmente el ciclo en cualquier momento abriendo la puerta o presionando el botón START/PAUSE. Si no se reanuda el ciclo en un intervalo de cuatro minutos, la secadora se apagará y se perderán los ajustes del ciclo.
- 8 FIN DEL CICLO**  
Al finalizar el ciclo, sonará un aviso sonoro. Retire inmediatamente la ropa de la secadora para reducir las arrugas. Si tiene seleccionada la función ANTIARRUGAS, la secadora hará girar brevemente la carga cada cierto tiempo para evitar que se formen arrugas en la ropa.

**GUÍA DE CICLOS**

La siguiente guía de ciclos muestra las opciones disponibles y los tipos de tejidos recomendados para los ciclos de secado automático.

**\*NOTA:** El tiempo predeterminado y real variarán dependiendo del tamaño de la carga y su contenido de humedad.

**Ciclos de secado automático**

Los ciclos de secado automático utilizan un sensor que detecta los niveles de humedad en las prendas y ajusta el tiempo de secado necesario para obtener resultados óptimos. La secadora ajusta automáticamente el nivel de secado y la temperatura en los valores recomendados para cada ciclo. El tiempo estimado restante aparecerá en la pantalla.

● = opción disponible

▨ = ajuste predeterminado

Tipo	Ciclo	Tipo de tejido	Modificadores				Opciones	
			Temperatura	Nivel de secado	*Tiempo en mín.	Más/menos tiempo	Anti-arrugas	Secado húmedo
	Sanitize (Desinfectar)	Colchas, ropa de cama, ropa de niños, etc.	Alta	Muy seco	70		●	
	Heavy Duty (muchasuciedad)	Vaqueros, prendas pesadas	Alta	Normal	54		●	●
				Ajustable				
	Casual (Ropa informal)	Prendas de planchado permanente y sintéticas	Medio bajo	Normal	32		●	●
				Ajustable				
	Bulky/Bedding (prendas voluminosas y de cama)	Colchas, almohadas, camisas	Media	Normal	55			
			Ajustable					
Normal	Ropa de trabajo, etc.	Media	Normal	41		●	●	
			Ajustable					
Small Load (Carga pequeña)	Sólo tejidos normales y de algodón/toallas (3 libras máximo)	Alta	Normal	30		●		
			Ajustable					
Delicates (Prendas delicadas)	Ropa interior, sábanas, blusas	Medio bajo	Normal	28		●	●	
			Ajustable					

**NOTA:** Para proteger sus prendas, no todos los niveles de secado, temperatura y opciones están disponibles para todos los ciclos. Los ajustes de temperatura no se pueden modificar. Sonará un aviso sonoro diferente y el LED no se iluminará o la selección no cambiará si no se permite la selección.

**NSF CERTIFICADO POR NSF**

NSF International (anteriormente, National Sanitation Foundation, Fundación Nacional de Saneamiento), certifica que el ciclo de desinfección SANITIZE reduce el 99,9% de las bacterias presentes en la colada y que no se transmitirá ninguna bacteria a la siguiente carga.

- Los ajustes predeterminados para el ciclo SANITIZE son temperatura ALTA y secado MUY SECO. Estos ajustes predeterminados no se pueden cambiar.
- NO utilice este ciclo para prendas o tejidos delicados.



## GUÍA DE CICLOS

La siguiente guía de ciclos muestra las opciones disponibles y los tipos de tejidos recomendados para los ciclos de secado manual.

### Ciclos de secado manual

Utilice los ciclos de secado manual para seleccionar un tiempo y temperatura de secado específicos. Al seleccionar el ciclo de SECADO MANUAL, la pantalla muestra el tiempo que queda para que termine el ciclo.

Puede cambiar el tiempo del ciclo presionando los botones MORE TIME o LESS TIME para aumentar o reducir el tiempo, respectivamente. Mantenga presionado cualquiera de estos botones para que el tiempo cambie a mayor velocidad.

● = opción disponible

▒ = ajuste predeterminado

Tipo	Ciclo	Tipo de tejido	Modificadores				Opciones	
			Temperatura	Nivel de secado	*Tiempo en min.	Más/menos tiempo	Anti-arrugas	Secado húmedo
SECADO MANUAL	Express Dry (Secado rápido)	Para cargas pequeñas con tiempos de secado breves	Alta	Desac	25			
			Ajustable		Máx. 99	●	●	
	Touch Up (Retocar)	Para eliminar pequeñas arrugas	Medio alto	Desac	20			
			Ajustable		Máx. 99	●	●	
	Timed Dry (Secado manual)	Para secado general. El tiempo, la temperatura y las opciones se pueden fijar manualmente	Alta	Desac	40			
			Ajustable		Máx. 99	●	●	

**NOTA:** Para proteger sus prendas, no todos los niveles de temperatura y opciones están disponibles para todos los ciclos. Los ajustes de temperatura no se pueden modificar. Sonará un aviso sonoro diferente y el LED no se iluminará si no se permite una determinada selección.

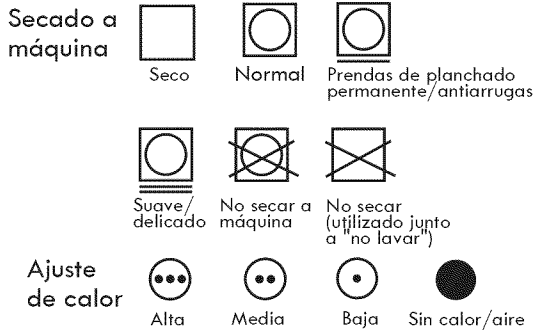
\*Para tener acceso a los ciclos de secado manual y secado en rejilla, presione el botón de Secado manual en el campo Cycle Modifiers (Modificadores de ciclos) del Panel de control.

**⚠ ADVERTENCIA:** A fin de reducir el riesgo de incendio, descargas eléctricas o lesiones personales, antes de poner en funcionamiento este electrodoméstico, lea completamente este manual, incluidas las instrucciones importantes sobre seguridad.

## CLASIFICACIÓN DE CARGAS

### Etiquetas de cuidado de las prendas

La mayoría de las etiquetas de las prendas incluyen etiquetas con instrucciones sobre sus cuidados específicos.



### Agrupación de prendas similares

Para obtener resultados óptimos, clasifique las prendas en cargas que puedan secarse mediante el mismo ciclo de secado.

Los distintos tejidos precisan diferentes cuidados y algunos se secarán más rápidamente que otros. Para obtener resultados óptimos, seque siempre juntos los tejidos que requieran cuidados similares.

## CARGA DE LA SECADORA

**⚠ ADVERTENCIA:** Para reducir el riesgo de incendio, descarga eléctrica o lesiones físicas al utilizar este electrodoméstico, siga estas precauciones básicas, entre las que se incluyen las siguientes:

- Compruebe que todos los bolsillos están vacíos. Objetos como clips, bolígrafos, monedas y llaves pueden dañar tanto la secadora como las prendas. Los objetos inflamables, como mecheros o cerillas, pueden prenderse y provocar un incendio. Si no se cumple con esto se podrá producir una explosión, incendio o muerte.
- No seque nunca prendas que hayan estado expuestas a aceite, gasolina o cualquier otra sustancia inflamable. El lavado de las prendas no eliminará completamente la presencia de residuos de aceite. Si no sigue esta advertencia, pueden ocasionarse incendios, explosiones o, incluso, peligro de muerte.

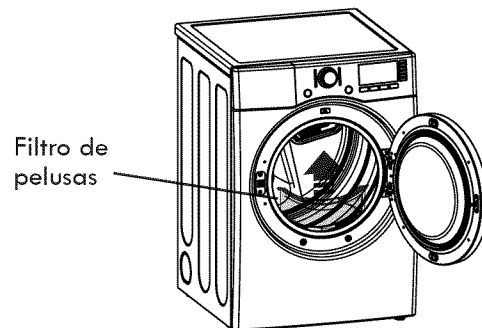
### Consejos útiles para cargar la secadora

- Mezcle prendas grandes y pequeñas en la misma carga.
- Las prendas húmedas aumentarán de volumen al secarse. No cargue en exceso la secadora: las prendas requieren espacio para girar y secarse adecuadamente.
- Cierre cremalleras, broches y cordones para evitar enganches o enredos en otras prendas.

### COMPROBAR EL FILTRO DE PELUSAS ANTES DE CADA CARGA

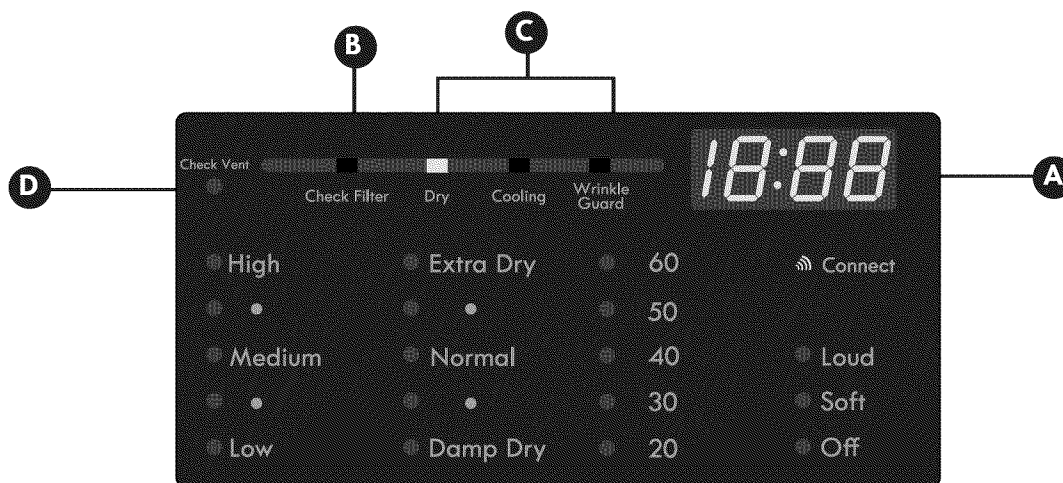
Cada vez que se enciende la secadora, la luz del indicador CHECK FILTER parpadeará para recordarle que debe asegurarse de que el filtro está limpio. Asegúrese siempre de que el filtro de pelusas está limpio antes de secar una nueva carga; un filtro de pelusas obstruido incrementará los tiempos de secado. Para limpiarlo, tire del filtro hacia arriba y elimine cualquier pelusa adherida al filtro con los dedos. No enjuague ni lave el filtro para eliminar la pelusa. Presione firmemente el filtro de pelusas para devolverlo a su lugar.

Asegúrese siempre de que el filtro de pelusas está instalado correctamente antes de poner la secadora en funcionamiento. Si se pone en funcionamiento la secadora sin el filtro de pelusas o sin encajarlo correctamente, la secadora o las prendas que contiene podrían resultar dañadas.



## PANTALLA DE TIEMPO Y ESTADO

La pantalla de tiempo y estado muestra el tiempo restante estimado, el proceso del ciclo y el estado de ventilación. Al encender la secadora, la pantalla se iluminará.



### A PANTALLA DE TIEMPO

Al seleccionar un ciclo, la pantalla indicará el tiempo predeterminado para dicho ciclo incluidos los ajustes o las opciones seleccionadas. En los ciclos de secado automático, se estimará el tiempo restante y es posible que cambie durante el ciclo, en función de las condiciones de la carga. En el secado manual, se mostrará exactamente el tiempo que falta para que finalice el ciclo.

### B INDICADOR DEL FILTRO DE PELUSAS

El indicador CHECK FILTER parpadeará antes de cada carga, para recordarle que compruebe el filtro de pelusas. Limpie siempre el filtro de pelusas antes de cada ciclo.

### C INDICADORES DE ESTADO DEL CICLO

Esta sección de la pantalla muestra la fase del ciclo en curso (DRYING, COOLING O WRINKLE GUARD) (Secado, enfriamiento o antiarrugas).

### D INDICADOR DE CONTROL DE VENTILACIÓN (SISTEMA DE DETECCIÓN DE BLOQUEO DEL CONDUCTO)

El sistema de detección de bloqueo del conducto CHECK VENT detecta y alerta sobre la existencia de obstrucciones en el sistema de ventilación que reduzcan el flujo de ventilación de la secadora. El que este indicador esté encendido no significa que su secadora tenga algún problema. Si este indicador parpadea, significa que el sistema de ventilación de su vivienda tiene una obstrucción grave, que no está cubierta por la garantía de su secadora. Llame al 1-800-4-MY-HOME® para obtener información sobre servicios de limpieza de tuberías ofrecidos a través de Sears.

## BOTONES MODIFICADORES DE CICLO

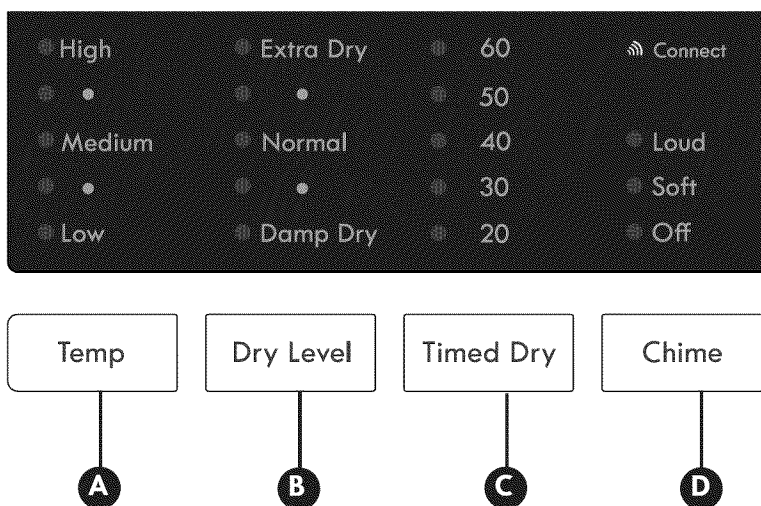
Cada ciclo dispone de ajustes predeterminados que se seleccionan automáticamente. También puede personalizar estos ajustes utilizando los botones modificadores de ciclo.

Los ciclos de **SECADO AUTOMÁTICO** están diseñados para el cuidado específico de ciertos tejidos y cargas. Por lo tanto, no todos los ajustes están disponibles para todos los ciclos.

Los ciclos de **SECADO MANUAL** disponen de ajustes predeterminados, pero también puede cambiar el ajuste de temperatura y añadir opciones.

Los ajustes no tienen limitaciones en la mayoría de los ciclos de secado manual. Para evitar posibles daños a las prendas, tenga cuidado al ajustar las opciones y los modificadores de estos ciclos.

**NOTA:** Para proteger sus prendas, no todos los niveles de secado, temperatura y opciones están disponibles para todos los ciclos.



### A CONTROL DE TEMPERATURA

Ajuste la temperatura de **BAJO** a **ALTO**. De esta manera, puede cuidar con precisión sus prendas y tejidos. Presione repetidamente el botón **TEMP** para desplazarse entre los ajustes disponibles. El ajuste de temperatura no puede modificarse en los ciclos de secado automático.

### B NIVEL DE SECADO

Selecciona el nivel de secado para el ciclo de secado automático seleccionado. Presione repetidamente el botón **DRY LEVEL** para desplazarse entre los ajustes disponibles. Utilice este botón para ajustar el nivel de secado de las prendas de la carga.

- Esta opción no está disponible para los ciclos de secado manual.
- La secadora ajustará automáticamente el tiempo de duración del ciclo. Si selecciona **MUY SECO** O **MÁS SECO**, aumentará el tiempo del ciclo y el nivel de secado, mientras que **DAMP DRY** (menos seco o seco húmedo) reducirá el tiempo del ciclo y el nivel de secado.
- Utilice los ajustes **DAMP DRY** (menos seco o seco húmedo) para prendas que desee planchar o colgar para acabar de secar.

### C SECADO MANUAL

Le permite seleccionar manualmente el tiempo de secado en incrementos de 10 minutos. Utilice este ciclo para cargas pequeñas o para eliminar arrugas. Utilice los botones **MORE TIME/LESS TIME** (más tiempo/menos tiempo) para aumentar o reducir el tiempo de secado seleccionado en incrementos de 1 minuto. Mantenga presionado cualquiera de estos botones para que el tiempo cambie a mayor velocidad.

### D AVISO SONORO

Ajuste el volumen del aviso sonoro o apáguelo. Presione repetidamente el botón hasta que se ilumine el volumen deseado.

## OPCIONES DE CICLOS Y FUNCIONES ESPECIALES

La secadora incluye varias funciones especiales y opciones adicionales para los ciclos para adaptarse a sus necesidades particulares.

### WRINKLE GUARD (ANTIARRUGAS)

Wrinkle Guard

Si selecciona esta opción, la secadora continuará girando con las prendas en su interior durante unos segundos cada pocos minutos sin calentarlas. Esta

opción permanecerá activa durante 150 minutos una vez finalizado el ciclo o hasta que se abra la puerta. Esta opción ayuda a evitar las arrugas que se producen en las prendas si no se retiran inmediatamente una vez terminado el ciclo.

### CONTROL LOCK (BLOQUEO DE LOS CONTROLES)

Touch Up  
Control Lock

Utilice esta opción para desactivar los controles. El Bloqueo de Controles únicamente puede activarse durante un ciclo. Todos los controles quedarán

deshabilitados. Una vez activada, la función "CONTROL LOCK" (BLOQUEO DE CONTROLES) deberá desactivarse para que puedan volver a usarse los controles. Luego de que se haya cerrado la secadora, el botón de encendido permitirá que se encienda la secadora, pero los controles permanecerán bloqueados. Cuando los controles estén bloqueados, se visualizará "CL", en forma alternada con el tiempo restante estimado. Si la opción "Wrinkle Guard" (Protección Antiarrugas) no está activada, cuando se bloqueen los controles, el LED parpadeará. Presione y sostenga el botón "TOUCH UP" durante cinco segundos, para bloquear o desbloquear los controles.

### MY CYCLE (MI CICLO)

My Cycle

El botón MY CYCLE le permite guardar un ciclo de secado personalizado para utilizarlo en otro momento. De esta manera, podrá guardar los niveles que prefiera de temperatura, nivel de secado y otras opciones para un ciclo y, más adelante, recuperarlos con sólo presionar un botón.

**NOTA:** Sólo puede guardar los ajustes personalizados para un ciclo a la vez. Al mantener presionado el botón MY CYCLE se sobrescribirá cualquier ciclo previamente guardado.

#### Para guardar un ciclo personalizado:

- 1 Presione el botón POWER para encender la secadora.
- 2 Gire la perilla del selector de ciclo para seleccionar el ciclo que desee.
- 3 Presione el botón de MODIFICADOR DE CICLO para cambiar el ajuste deseado.
- 4 Presione el botón de OPCIÓN DE CICLO para agregar las opciones deseadas.
- 5 Mantenga presionado el botón MY CYCLE.

#### Para recuperar un ciclo personalizado:

- 1 Presione el botón POWER para encender la secadora.
- 2 Presione el botón MY CYCLE. Se mostrarán los ajustes guardados.
- 3 Presione el botón START/PAUSE para que comience el ciclo.

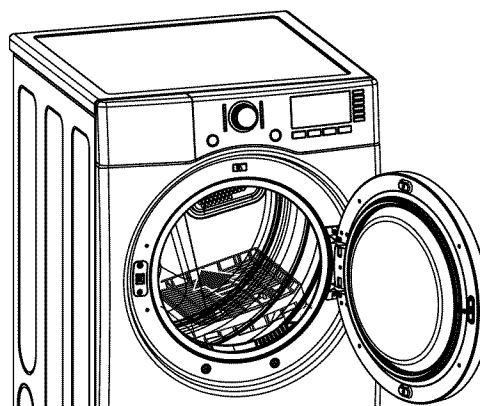
**NOTA:** El ciclo personalizado se puede ajustar de la misma manera que cualquier otro ciclo. No obstante, una vez que se presiona cualquier otro botón, el LED se apagará para indicar que los ajustes ya no coinciden exactamente con los del ciclo personalizado.

### DAMP DRY SIGNAL (SECADO HÚMEDO)

Damp Dry Signal

Si presiona la secado húmedo, la secadora emitirá un aviso sonoro cuando falte poco para que la ropa esté totalmente seca, en caso de que desee sacarla de la secadora para plancharla o colgarla para secar.

## INSTALACIÓN Y USO DE LA REJILLA DE SECADO



- 1 Con la puerta de la secadora abierta, deslice la rejilla en el tambor de secado.
- 2 Asegúrese de que la parte frontal de la rejilla encaje correctamente en la cavidad en la base del filtro para pelusas en la parte frontal del tambor. Las dos patas posteriores de la rejilla deben descansar sobre la pared posterior encima del tambor.
- 3 Coloque en la rejilla las prendas que va a secar. Asegúrese de que ninguna parte de las prendas quede colgando fuera de los bordes de la rejilla, pues podría entrar en contacto con el tambor que está girando, lo que produciría ruido o podría dañar el tambor o la prenda.

**NOTA:** Asegúrese de retirar la rejilla de secado después de usar el ciclo de SECADO EN REJILLA.

**! ADVERTENCIA:** A fin de reducir el riesgo de incendio, descargas eléctricas o lesiones personales, antes de poner en funcionamiento este electrodoméstico, lea completamente este manual, incluidas las instrucciones importantes sobre seguridad.

- **Desenchufe la secadora antes de proceder a su limpieza para evitar posibles descargas eléctricas.** Si no se cumple con esta advertencia se podrán producir lesiones graves, incendios, descargas eléctricas o muerte.
- **No utilice nunca productos químicos fuertes, limpiadores abrasivos o disolventes para limpiar la secadora.** Dañarán el acabado.

## LIMPIEZA REGULAR

### Limpieza del exterior

Unos cuidados adecuados prolongarán la vida útil de la secadora. Puede limpiar el exterior de la máquina con agua caliente y un detergente doméstico suave y no abrasivo. Limpie inmediatamente cualquier derrame con un paño suave y húmedo.

**IMPORTANTE:** No utilice alcoholes de limpieza, disolventes ni productos similares.

No utilice NUNCA estropajos metálicos ni limpiadores abrasivos; pueden dañar la superficie.

### Limpieza del interior

Seque el contorno del hueco y la junta de la puerta con un paño suave y húmedo para eliminar las acumulaciones de pelusas y polvo que podrían dañar la junta de la puerta.

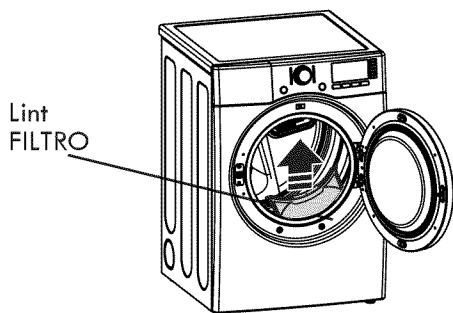
Limpie el cristal de la puerta con un paño suave humedecido en agua caliente y un detergente doméstico suave y no abrasivo; a continuación séquelo.

No utilice NUNCA estropajos metálicos ni limpiadores abrasivos; pueden arañar o dañar la superficie.

### Limpieza alrededor de la secadora y debajo de ella

Aspire regularmente las pelusas y el polvo de los alrededores y debajo de la secadora.

### Limpieza del filtro de pelusas

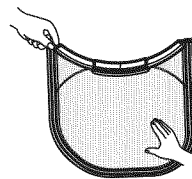


Asegúrese SIEMPRE de que el filtro de pelusas esté limpio antes de cada ciclo. El indicador Check Filter del panel de control parpadeará antes de cada ciclo para recordárselo.

**NOTA:** No utilice NUNCA la secadora sin el filtro de pelusas instalado.

### Para eliminar las pelusas entre ciclos:

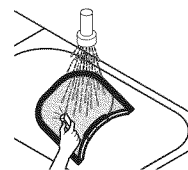
- 1 Abra la puerta de la secadora.



- 2 Tire hacia arriba del filtro de pelusas.
- 3 Elimine los restos de pelusa del filtro con los dedos.
- 4 Vuelva a colocar el filtro de pelusas en la secadora.

### Limpieza exhaustiva periódica:

Con el paso del tiempo, cierto tipo de suavizantes pueden acumularse en el filtro de pelusas. Estas acumulaciones pueden restringir el flujo de aire a través del filtro, reduciendo la eficiencia de la secadora y alargando los tiempos de secado. Si tras retirar la pelusa, el filtro presenta un aspecto oscuro o sucio al trasluz, siga estos pasos para limpiarlo:



- 1 Utilice agua caliente jabonosa y un cepillo duro para limpiar el filtro.
- 2 Asegúrese de que el filtro está completamente seco antes de volver a instalarlo y utilizar la secadora.

**NOTA:** No ponga NUNCA en funcionamiento la secadora con un filtro de pelusas húmedo.

### Mantenimiento del sistema de conductos

Se debe revisar que el sistema de conductos de ventilación no tenga acumulación de pelusa y se debe limpiar una vez por año. Si se percibe una reducción del flujo de aire o desempeño del secado notorios, revise que el sistema de conductos no esté bloqueado ni tenga obstrucciones. Llame a un técnico o proveedor de mantenimiento calificados.

## MANTENIMIENTO DEL SISTEMA DE VENTILACIÓN

La causa más habitual de problemas en la secadora es una ventilación deficiente. Una ventilación deficiente puede producirse por los siguientes motivos:

- CONDUCTOS DE VENTILACIÓN SUCIOS O DAÑADOS
- MATERIAL INADECUADO DE LOS CONDUCTOS DE VENTILACIÓN
- EXTRACTOR OBSTRUIDO O DAÑADO
- CONDUCTO DE VENTILACIÓN DE LONGITUD EXCESIVA
- USO DE CONDUCTOS DE VENTILACIÓN DE PLÁSTICO O LÁMINA METÁLICA.

### Mantenimiento del sistema de ventilación

Deben comprobarse los conductos de ventilación en busca de acumulaciones de pelusa y limpiarlos al menos una vez al año. Si se produce cualquier reducción apreciable en el rendimiento del secado, compruebe los conductos en busca de obstrucciones y bloqueos.

Si se ilumina el indicador CHECK VENT, debe comprobarse inmediatamente la existencia de obstrucciones o daños en el sistema de ventilación. El indicador CHECK VENT indica una reducción grave en la ventilación del flujo de aire que reducirá drásticamente el rendimiento energético y aumentará los tiempos de secado. Los sistemas de ventilación dañados o restringidos no están cubiertos por la garantía de la secadora. Los daños ocasionados en la secadora derivados de sistemas de ventilación dañados, obstruidos o inadecuados por cualquier otro motivo, no están cubiertos por la garantía de la unidad.

### Indicador CHECK VENT

El sistema de advertencia CHECK VENT ha sido diseñado para ayudarle a evitar la reducción del rendimiento que pueden ocasionar las obstrucciones en el sistema de ventilación de la vivienda. El indicador CHECK VENT se ilumina para avisarle cuando se produce un problema en el sistema, de manera que pueda repararlo.

Aunque debe comprobar y realizar el mantenimiento del sistema de ventilación regularmente, el sistema de advertencia CHECK VENT detectará y le avisará de cualquier problema grave que se desarrolle en el sistema de ventilación de la vivienda. Entre estos, se incluyen sistemas de ventilación que no sean adecuados por cualquier motivo, incluido una obstrucción en la ventilación, conductos aplastados o retorcidos, o una ventilación que supere la longitud máxima recomendada tal como se describe en la sección de instalación.

**NOTA:** La longitud total incluye la longitud desde la parte posterior de la secadora hasta el extractor exterior, MÁS un factor por cada codo de 90° en el sistema de ventilación. Por ejemplo, si la distancia desde la parte posterior de la secadora hasta el extractor es de 9 m (30 pies), y hay cuatro codos en el sistema, superará la longitud máxima de 8,5 m (28 pies) que se permite en estas condiciones.

El indicador CHECK VENT del panel de control le avisará de que el sistema de ventilación no está desplazando suficiente aire de la secadora al exterior. Esta reducción del flujo de aire ocasionará tiempos de secado más largos, un secado deficiente y, probablemente, averías en la secadora.

Le recordamos que el sistema de ventilación externa de la secadora se considera parte de su vivienda y no está cubierta por la garantía del producto ni por los contratos de protección. Hay servicios disponibles para realizar la limpieza o el mantenimiento de la ventilación externa. Sears ofrece este servicio mediante Sears Carpet, Upholstery, and Duct Cleaning. Llame al 1-800-661-6594 para solicitar el servicio de mantenimiento de conductos de Sears (si está disponible en su zona).

### Funcionamiento de CHECK VENT

El sistema CHECK VENT utiliza componentes que ya se encuentran en la secadora. Mediante la supervisión de estos componentes durante varios ciclos, el control puede determinar el nivel de obstrucción que presenta el sistema de ventilación. Si detecta un alto nivel de obstrucción, encenderá el indicador CHECK VENT para avisarle del problema. La secadora seguirá funcionando después de que se ilumine el indicador, pero deberá limpiar o reparar inmediatamente el sistema de ventilación para evitar que se prolonguen los tiempos de secado y un mayor consumo de energía.

**IMPORTANTE:** Para que la secadora pueda secar las prendas de manera adecuada y eficiente, es extremadamente importante que el sistema de ventilación sea lo más corto y esté lo más limpio posible. Su longitud DEBE ser inferior a las especificaciones de longitud máxima que se detallaban en la sección de instalación. También es muy importante que se asegure de que cuando se instale la secadora, el sistema de ventilación esté limpio, no presente obstrucciones y no esté aplastado ni retorcido.

Si no se cumplen estas directrices se alargarán los tiempos de secado, se consumirá más energía y es posible que incluso las prendas resulten dañadas o se produzca una avería en la secadora. Cuando la obstrucción del sistema de ventilación sea crítica, el indicador CHECK VENT parpadeará para avisarle de este problema, de manera que pueda limpiarlo o repararlo.

- 1 Para evitar falsas alarmas y ofrecer una mayor confiabilidad, la secadora examinará el estado de ventilación durante varias cargas. Si durante varias cargas consecutivas se superan los límites de obstrucción, el control hará parpadear el indicador CHECK VENT.
- 2 Cuando parpadea el indicador CHECK VENT, indica que es necesario comprobar lo antes posible la ventilación externa en busca de posibles obstrucciones.
- 3 El indicador CHECK VENT permanecerá encendido (parpadeando) hasta que se haya resuelto la obstrucción Y ADEMÁS el control haya comprobado que el flujo de aire ha mejorado durante varios ciclos.
- 4 Una vez limpiado o reparado el sistema de ventilación, el indicador CHECK VENT tarda varios ciclos en restablecerse y apagar el indicador.

**NOTA:** El indicador CHECK VENT ha sido diseñado para medir el rendimiento durante varios ciclos consecutivos antes de activarse o desactivarse, con objeto de evitar falsas alarmas. Una carga muy grande, como un edredón muy voluminoso, puede hacer que el sistema de comprobación de la ventilación detecte que el sistema de ventilación está obstruido, pero en este caso no haría que el indicador parpadeara. No obstante, si se ejecutarán consecutivamente varias cargas muy grandes, es posible que se encendiese el indicador CHECK VENT.

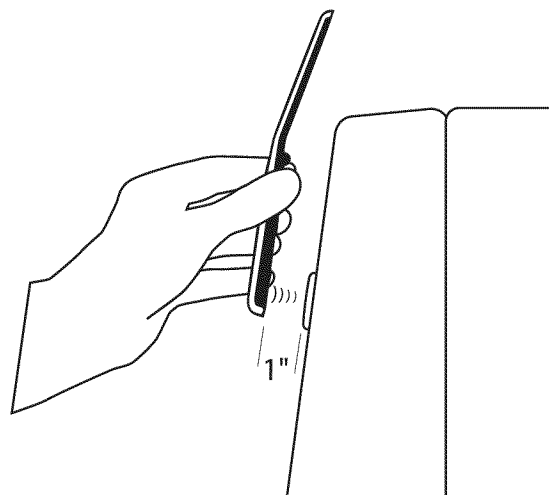
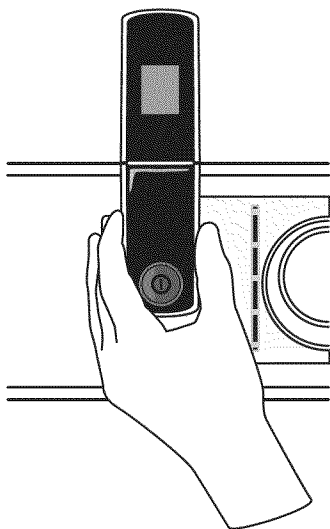
Si experimenta algún problema con la secadora, podrá transmitir datos a través del teléfono con el equipo Kenmore Connect. Así podrá hablar directamente con nuestros técnicos especializados. El técnico graba los datos transmitidos desde la máquina y los utiliza para analizar el problema, ofreciendo un diagnóstico rápido y eficaz.

Si experimenta problemas con la secadora, llame al 1-800-4-MY-HOME®. Sólo utilice el sistema Kenmore Connect cuando se lo pida el equipo de Kenmore Connect. Los sonidos de transmisión que oirá son normales y suenan de forma parecida a un equipo de fax.

Kenmore Connect no se puede activar a menos que la secadora se encienda pulsado el botón POWER. Si la secadora no se puede encender, la solución de problemas deberá llevarse a cabo sin utilizar Kenmore Connect.

## Uso del sistema Kenmore Connect™

Siga las instrucciones del técnico y siga estos pasos cuando se le solicite.



Apariencia puede variar según el modelo



**MANTENGA** el micrófono del teléfono sobre el botón de ENCENDIDO, cuando el centro de llamadas se lo solicite, a no más de 2,5 cm (pero sin tocar) la máquina.

**NOTA:** No pulse ningún otro botón ni gire el mando del selector de ciclo.



**MANTENGA PULSADO** el botón de TEMP mientras sigue sujetando el teléfono sobre el botón POWER.



**ESPERE A ESCUCHAR** tres pitidos. Tras escuchar los tres pitidos, suelte el botón de TEMP. Mantenga el teléfono en su sitio hasta que haya terminado la transmisión de tonos. Esto tarda unos 17 segundos y en la pantalla aparecerá el recuento de tiempo. Una vez finalizada la cuenta atrás y cuando los tonos se hayan detenido, reanude su conversación con el técnico que le podrá ayudar a utilizar la información transmitida para el análisis.

**NOTA:**

- Para obtener mejores resultados, no mueva el teléfono mientras se estén transmitiendo los tonos.
- Si el agente del centro de llamadas no puede grabar con precisión los datos, quizá le pida que lo intente de nuevo.
- Si pulsa el botón POWER durante la transmisión se apagará el sistema Kenmore Connect.

## ANTES DE SOLICITAR ASISTENCIA TÉCNICA

Problema	Causa posible	Soluciones
<p>* <b>La luz CHECK VENT parpadea.</b></p>	<p>El sistema de ventilación es demasiado largo o tiene demasiados cambios de dirección/obstrucciones.</p> <p>Existen bloqueos parciales en los conductos por acumulaciones de pelusas u otros objetos extraños.</p>	<p>Instale un conducto con un recorrido más corto o recto. Consulte las instrucciones de instalación para obtener más detalles.</p> <p>El conducto debe comprobarse/limpiarse inmediatamente. La secadora puede utilizarse en estas condiciones, pero los tiempos de secado serán mayores y aumentará el consumo eléctrico.</p>
<p>* Este indicador de advertencia no señala una avería de la secadora y no está cubierto por la garantía de la máquina. Póngase en contacto con el servicio de limpieza de conductos para concertar una cita y limpiar e inspeccionar su sistema de ventilación.</p>		
<p><b>La secadora no se enciende.</b></p>	<p>El cable de alimentación no se ha enchufado de forma adecuada.</p> <p>Se ha fundido el fusible, ha saltado el disyuntor o se ha producido un corte de suministro eléctrico en la vivienda.</p>	<p>Compruebe que el enchufe esté conectado firmemente a una toma de pared con conexión a tierra que coincida con la placa de especificaciones de la secadora.</p> <p>Reinicie el disyuntor o sustituya el fusible. No aumente la capacidad del fusible. Si el problema es una sobrecarga del circuito, haga que lo solucione un electricista cualificado.</p>
<p><b>La secadora no calienta.</b></p>	<p>Se ha fundido el fusible, ha saltado el disyuntor o se ha producido un corte de suministro eléctrico en la vivienda.</p>	<p>Reinicie el disyuntor o sustituya el fusible. No aumente la capacidad del fusible. Si el problema es una sobrecarga del circuito, haga que lo solucione un electricista cualificado.</p> <p><b>NOTA:</b> Debido al diseño de las secadoras eléctricas, es posible que un problema del circuito permita que una secadora eléctrica funcione sin calor.</p>
	<p>Suministro o servicio de gas cortado (sólo modelos de gas).</p>	<p>Compruebe que las válvulas de corte de gas de la vivienda y la secadora están abiertas por completo. Aunque la secadora no disponga de suministro de gas, funcionará y no mostrará códigos de error. Compruebe que funcionen con normalidad otros electrodomésticos de la vivienda que utilicen gas.</p>
<p><b>Manchas de grasa o suciedad en las prendas</b></p>	<p>Se han secado juntas prendas limpias y sucias.</p> <p>Las prendas no se limpiaron o enjuagaron adecuadamente antes de introducirlas en la secadora.</p>	<p>Utilice su secadora sólo para secar prendas limpias; la ropa sucia puede contaminar prendas limpias introducidas en la misma carga o en cargas posteriores.</p> <p>Las manchas en prendas secas podrían no haber sido eliminadas durante el proceso de lavado. Asegúrese de que las prendas han sido limpiadas o enjuagadas por completo según las instrucciones de su lavadora y del fabricante del detergente. Ciertas manchas difíciles podrían requerir un tratamiento previo al lavado.</p>
<p><b>Electricidad estática excesiva en las prendas tras el secado</b></p>	<p>No se ha utilizado suavizante o se ha usado de forma incorrecta.</p> <p>Se están secando prendas sintéticas, de planchado permanente o de mezcla sintética.</p>	<p>Utilice un suavizante o la opción ANTIESTÁTICA, si dispone de ella, para reducir la electricidad estática. Asegúrese de seguir las instrucciones del fabricante.</p> <p>Estos tejidos son, por naturaleza, más propensos a acumular electricidad estática. Intente utilizar suavizante o utilice la opción DAMP DRY y/o un ajuste de tiempo más corto para la función de secado manual.</p>
<p><b>El tiempo de secado no es consistente.</b></p>	<p>Los ajustes de calor, tamaño de la carga o humedad en las prendas no son consistentes.</p>	<p>El tiempo de secado de una carga variará dependiendo del tipo de calor utilizado (eléctrico, gas natural o gas LP), el tamaño de la carga, los tipos de tejidos, la humedad de las prendas y el estado de los conductos de ventilación y del filtro de pelusas. Incluso una carga desequilibrada en la lavadora puede ocasionar un centrifugado deficiente, que hará que las prendas estén más húmedas y tarden más tiempo en secarse.</p>

ANTES DE SOLICITAR ASISTENCIA TÉCNICA (continuación)

Problema	Causa posible	Soluciones
<p>Las prendas tardan mucho en secarse.</p>	<p>Los conductos de ventilación están obstruidos, sucios o son demasiado largos.</p> <p>La carga no se ha agrupado correctamente.</p> <p>Se trata de una carga grande de tejidos pesados.</p> <p>Los controles de la secadora no están ajustados correctamente.</p> <p>El filtro de pelusas necesita limpieza.</p> <p>Se ha fundido el fusible, ha saltado el disyuntor o se ha producido un corte de suministro eléctrico en la vivienda.</p> <p>La secadora está sobrecargada.</p> <p>Poca carga en la secadora.</p>	<p>Asegúrese de que los conductos de ventilación están instalados correctamente y libres de residuos, pelusas y obstrucciones. Asegúrese de que los amortiguadores de la pared exterior pueden abrirse correctamente y no están obstruidos, atascados ni dañados.</p> <p>Separe las prendas pesadas de las ligeras. Las prendas más grandes y pesadas tardan más en secarse. Las prendas ligeras en una carga de prendas pesadas pueden falsear los resultados del sensor, ya que se secan antes.</p> <p>Los tejidos pesados tardan más en secarse debido a que tienden a retener más humedad. Para ayudar a reducir y mantener tiempos de secado más consistentes para tejidos grandes y pesados, divida estas prendas en cargas más pequeñas de un tamaño coherente.</p> <p>Utilice los ajustes de control adecuados al tipo de carga que está secando. Algunas cargas pueden requerir un ajuste del NIVEL DE SECADO para secarse correctamente.</p> <p>Elimine las pelusas del filtro antes de cada carga. Tras eliminar la pelusa, sujete el filtro al trasluz para comprobar si está sucio u obstruido. Si parece sucio, siga las instrucciones de limpieza proporcionadas. Con ciertas cargas que generan grandes cantidades de pelusa, como unas toallas de baño nuevas, podría ser necesario detener el ciclo y limpiar el filtro durante el transcurso del mismo.</p> <p>Reinicie el disyuntor o sustituya el fusible. No aumente la capacidad del fusible. Si el problema es una sobrecarga del circuito, haga que lo solucione un electricista cualificado.</p> <p><b>NOTA:</b> Debido al diseño de las secadoras eléctricas, es posible que un problema del circuito permita que una secadora eléctrica funcione sin calor.</p> <p>Divida las cargas muy grandes en otras más pequeñas para conseguir un mejor funcionamiento y una mayor eficiencia de secado.</p> <p>Si está secando una carga muy pequeña, añada algunas prendas más para asegurarse de que las prendas giran adecuadamente. Si la carga es muy pequeña y está utilizando ciclos de secado automático, el control electrónico no podrá detectar correctamente la humedad de la carga y podría finalizar el ciclo demasiado pronto. Utilice la función de secado manual o añada algunas prendas húmedas más a la carga.</p>
<p>Las prendas están arrugadas.</p>	<p>Las prendas se han secado durante demasiado tiempo (secado excesivo).</p> <p>Se han dejado demasiado tiempo las prendas en la secadora una vez finalizado el ciclo.</p>	<p>Si se seca excesivamente una carga de ropa, es posible que las prendas queden arrugadas. Pruebe a utilizar un tiempo de secado más corto o el ajuste DAMP DRY y retire los elementos mientras todavía les quede un poco de humedad.</p> <p>Utilice la opción WRINKLE GUARD. Esta función hará que las prendas giren durante unos segundos cada pocos minutos durante un máximo de 150 minutos para evitar las arrugas.</p>
<p>Las prendas están arrugadas.</p>	<p>Las prendas se han secado durante demasiado tiempo (secado excesivo).</p> <p>Se han dejado demasiado tiempo las prendas en la secadora una vez finalizado el ciclo.</p>	<p>Si se seca excesivamente una carga de ropa, es posible que las prendas queden arrugadas. Pruebe a utilizar un tiempo de secado más corto o el ajuste DAMP DRY y retire los elementos mientras todavía les quede un poco de humedad.</p> <p>Utilice la opción WRINKLE GUARD. Esta función hará que las prendas giren durante unos segundos cada pocos minutos durante un máximo de 150 minutos para evitar las arrugas.</p>

**ANTES DE SOLICITAR ASISTENCIA TÉCNICA (continuación)**

Problema	Causa posible	Soluciones
<b>Las prendas han encogido.</b>	No se siguieron las instrucciones de cuidado de las prendas.	Para evitar que las prendas encojan, consulte siempre las instrucciones de cuidado de la prenda y sígalas. Algunos tejidos encogerán de manera natural al lavarlos. Otros tejidos se pueden lavar en lavadora pero encogen si se secan a máquina. Use el nivel bajo o sin calor y/o el ciclo SECADO EN REJILLA.
<b>La pantalla muestra los códigos de error: tE1 o tE2.</b>	Error del sensor de temperatura.	Apague la secadora y llame al servicio técnico.
<b>Hay pelusa en las prendas.</b>	<p>No se ha limpiado adecuadamente el filtro de pelusas.</p> <p>No se ordenó correctamente la colada.</p> <p>Electricidad estática excesiva en las prendas.</p> <p>La secadora está sobrecargada.</p> <p>Se han dejado pañuelos, papeles, etc. en los bolsillos.</p>	<p>Elimine las pelusas del filtro antes de cada carga. Tras eliminar la pelusa, sujete el filtro al trasluz para comprobar si está sucio u obstruido. Si parece sucio, siga las instrucciones de limpieza proporcionadas. Con ciertas cargas que generan grandes cantidades de pelusa, podría ser necesario limpiar el filtro durante el ciclo.</p> <p>Algunos tejidos producen mucha pelusa (por ejemplo, una toalla de algodón blanco muy gruesa) y deben secarse aparte de las prendas a las que se adhiere con facilidad la pelusa (por ejemplo, un par de pantalones negros de hilo).</p> <p>Utilice un suavizante para reducir la electricidad estática. Asegúrese de seguir las instrucciones del fabricante.</p> <p>Si se seca excesivamente una carga, es posible que se acumule electricidad estática en las prendas. Ajuste los valores y utilice tiempos de secado más cortos o ciclos de secado automático.</p> <p>Divida las cargas muy grandes en otras más pequeñas para secarlas.</p> <p>Examine cuidadosamente los bolsillos antes de lavar y secar las prendas.</p>

## Garantía limitada de Kenmore

Si, tras ser instalado, operado y mantenido según todas las instrucciones incluidas con el producto, este electrodoméstico sufriera averías debidas a defectos de material y mano de obra, dentro del período de un año desde la fecha de compra, llame al número de teléfono 1-800-4-MY-HOME® para su reparación gratuita.

Si este electrodoméstico fuera utilizado con fines distintos a los domésticos, esta garantía sólo sería aplicable durante 90 días desde la fecha de compra.

**Esta garantía cubre únicamente los defectos de material y mano de obra. Sears NO pagará:**

1. Elementos consumibles que puedan gastarse debido al uso normal, incluyendo entre otros, los filtros, correas, bombillas y bolsas de la unidad.
2. Un técnico de servicio para mostrar al usuario la instalación, funcionamiento o mantenimiento correctos del producto.
3. Un técnico de servicio para realizar labores de limpieza o mantenimiento del producto.
4. Daños o averías como consecuencia de no seguir todas las instrucciones de instalación, funcionamiento o mantenimiento incluidas con el producto.
5. Daños o averías en caso de accidente, abuso, uso inadecuado o uso con propósitos distintos a los fines para los que fue diseñado.
6. Daños o averías en caso de utilizar detergentes, limpiadores, sustancias químicas o utensilios distintos a los recomendados en las instrucciones incluidas con el producto.
7. Daños o fallas de piezas o sistemas como resultado de modificaciones sin autorización hechas a este producto.

### Descargo de responsabilidad de garantías implícitas; limitación de acciones legales

Las únicas y exclusivas acciones legales del cliente bajo esta garantía limitada serán la reparación del producto como se señala aquí. Las garantías implícitas, incluyendo garantías de comerciabilidad y aptitud para un objetivo particular, se encuentran limitadas a un año o al período más corto permitido por la ley. Sears no será responsable de los daños incidentales o derivados. Algunos estados no permiten la exclusión o limitación de daños o limitaciones incidentales o resultantes, o limitaciones sobre la duración de garantías implícitas o de comerciabilidad o aptitud, por lo tanto las limitaciones o exclusiones anteriores pueden no aplicarse en su caso.

Esta garantía podrá aplicarse sólo si este electrodoméstico se utiliza en los Estados Unidos o Canadá.

Esta garantía le otorga derechos legales específicos y usted puede contar con otros derechos, que pueden variar de estado a estado.

Sears Brands Management Corporation, Hoffman Estates, IL 60179  
Sears Canada Inc., Toronto, Ontario, Canadá M5B 2C3







# Get it fixed, at your home or ours!

## Your Home

For troubleshooting, product manuals and expert advice:



[www.managemylife.com](http://www.managemylife.com)

For repair – **in your home** – of **all** major brand appliances, lawn and garden equipment, or heating and cooling systems, **no matter who made it, no matter who sold it!**

For the replacement parts, accessories and owner's manuals that you need to do-it-yourself.

For Sears professional installation of home appliances and items like garage door openers and water heaters.

**1-800-4-MY-HOME®** (1-800-469-4663)

Call anytime, day or night (U.S.A. and Canada)

[www.sears.com](http://www.sears.com)    [www.sears.ca](http://www.sears.ca)

## Our Home

For repair of carry-in items like vacuums, lawn equipment, and electronics, call anytime for the location of your nearest

**Sears Parts & Repair Service Center**

**1-800-488-1222** (U.S.A.)    **1-800-469-4663** (Canada)

[www.sears.com](http://www.sears.com)    [www.sears.ca](http://www.sears.ca)

To purchase a protection agreement on a product serviced by Sears:

**1-800-827-6655** (U.S.A.)    **1-800-361-6665** (Canada)

Para pedir servicio de reparación a domicilio, y para ordenar piezas:

**1-888-SU-HOGAR®**

(1-888-784-6427)

[www.sears.com](http://www.sears.com)

Au Canada pour service en français:

**1-800-LE-FOYER<sup>MC</sup>**

(1-800-533-6937)

[www.sears.ca](http://www.sears.ca)

The Sears logo, featuring the word "Sears" in a large, stylized, serif font with a shadow effect.

® Registered Trademark / ™ Trademark of KCD IP, LLC in the United States, or Sears Brands, LLC in other countries

® Marca Registrada / ™ Marca de Fábrica de KCD IP, LLC en Estados Unidos, o Sears Brands, LLC in otros países

<sup>MC</sup> Marque de commerce / <sup>MD</sup> Marque déposée de Sears Brands, LLC