

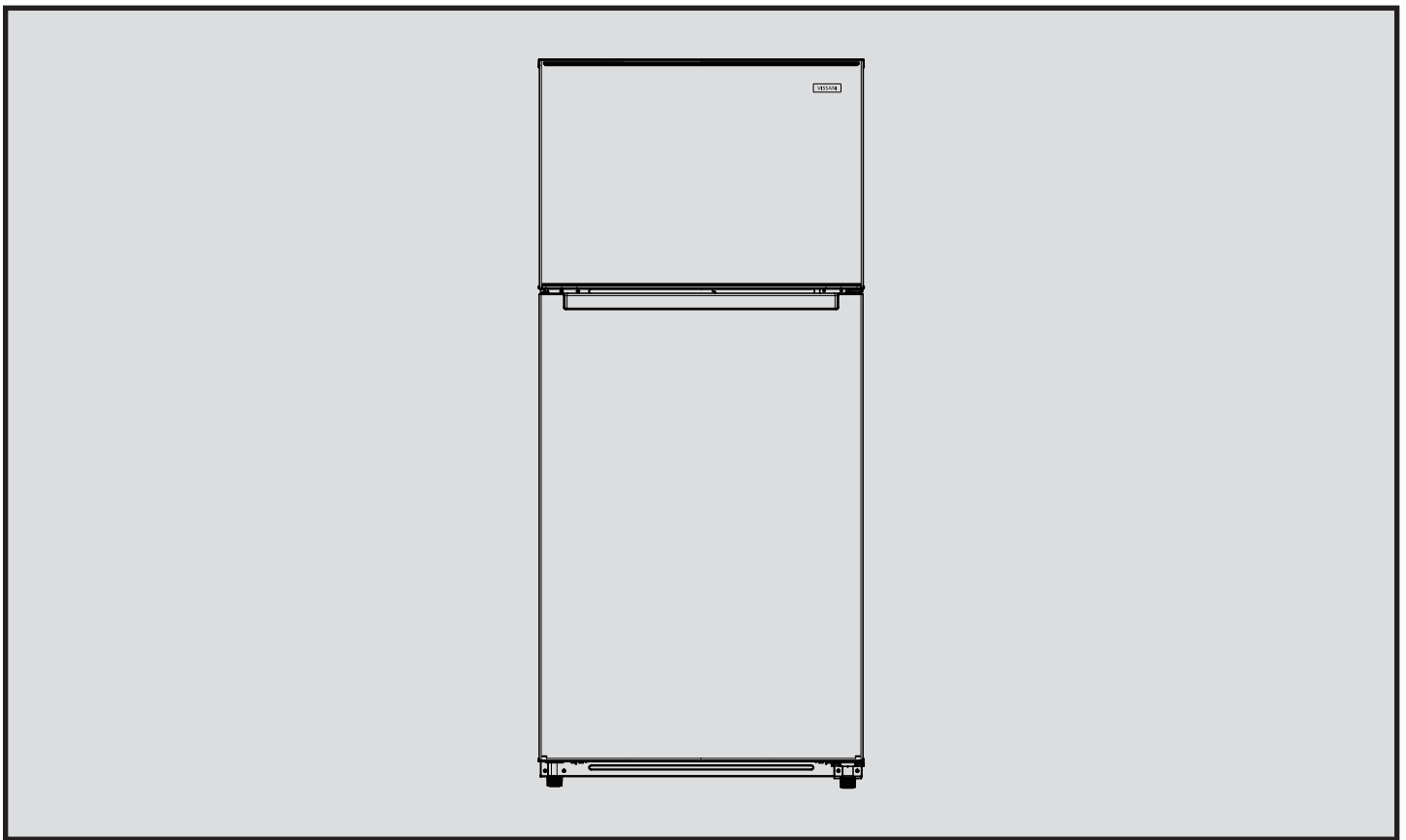
# VISSANI

SKU # 1006460463  
Model # MDTF18WHR  
SKU # 1006460551 (US)  
SKU # 1001819549 (CA)  
Model # MDTF18SSR

## USE AND CARE GUIDE

---

### Refrigerator-Freezer



Questions, problems, missing parts? Before returning to the store,  
call Vissani Customer Service  
Monday - Friday 8 a.m. to 8 p.m., Saturday 8 a.m. to 6 p.m.

1-855-847-7264

HOMEDEPOT.COM  
HOMEDEPOT.CA

---

#### *THANK YOU*

We appreciate the trust and confidence you have placed in Vissani through the purchase of this refrigerator. We strive to continually create quality products designed to enhance your home. Visit us online to see our full line of products available for your home improvement needs. Thank you for choosing Vissani!

# Table of Contents

Table of Contents .....	2	Installing an optional ice maker.....	12
Safety Information .....	2	Starting .....	12
Warning.....	2	Energy saving tips .....	12
Electricity related warnings.....	3	<b>Assembly.....</b>	<b>13</b>
Warnings for using.....	4	Key components .....	13
Warnings for placement .....	4	Functions .....	14
Warnings for energy .....	5	<b>Maintenance and Cleaning .....</b>	<b>15</b>
Warnings for disposal .....	5	Overall cleaning .....	15
<b>Warranty .....</b>	<b>6</b>	Defrosting .....	15
<b>Pre-Installation.....</b>	<b>7</b>	Changing the light .....	15
Placement .....	7	Out of operation .....	15
Levelling feet .....	8	<b>Troubleshooting .....</b>	<b>16</b>
Reverse the door swing.....	8		

# Safety Information

## WARNING

- This appliance is intended to be used in household and similar applications such as
  - staff kitchen areas in shops, offices and other working environments;
  - farm houses and by clients in hotels, motels and other residential type environments;
  - bed and breakfast type environments;
  - catering and similar non-retail applications.
- This appliance is not intended for use by persons (including children) with reduced physical, sensory or mental capabilities, or lack of experience and knowledge, unless they have been given supervision or instruction concerning use of the appliance by a person responsible for their safety.
- If the supply cord is damaged, it must be replaced by the manufacturer, its service agent or similarly qualified persons in order to avoid a hazard.
- Do not store explosive substances such as aerosol cans with a flammable propellant in this appliance.
- The appliance has to be unplugged after use and before carrying out user maintenance on the appliance.
- **WARNING:** Keep ventilation openings, in the appliance enclosure or in the built-in structure, clear of obstruction.
- **WARNING:** Do not use mechanical devices or other means to accelerate the defrosting process, other than those recommended by the manufacturer.
- **WARNING:** Do not damage the refrigerant circuit.
- **WARNING:** Do not use electrical appliances inside the food storage compartments of the appliance, unless they are of the type recommended by the manufacturer.
- **WARNING:** Please abandon the refrigerator according to local regulators for its use flammable blowing gas and refrigerant.
- **WARNING:** When positioning the appliance, ensure the supply cord is not trapped or damaged.
- **WARNING:** Do not locate multiple portable socket-outlets or portable power supplies at the rear of the appliance.
- Do not use extension cords or ungrounded (two prong) adapters.
- **WARNING:** Risk of child entrapment. Before you throw away your old refrigerator or freezer:
  - Take off the doors.
  - Leave the shelves in place so that children may not easily climb inside.
- The refrigerator must be disconnected from the source of electrical supply before attempting the installation of accessory.
- Refrigerant and cyclopentane foaming material used for the appliance are flammable. Therefore, when the appliance is scrapped, it shall be kept away from any fire source and be recovered by a special recovering company with corresponding qualification other than be disposed by combustion, so as to prevent damage to the environment or any other harm.
- Children should be supervised to ensure that they do not play with the appliance.
- **WARNING:** To avoid a hazard due to instability of the appliance, it must be fixed in accordance with the instructions.

# Safety Information

- ❑ **WARNING:** Connect to potable water supply only. (Suitable for ice making machine)
- ❑ To prevent a child from being entrapped, keep out of reach of children and not in the vicinity of freezer (or refrigerator). (Suitable for products with locks)



- ❑ **WARNING:** Risk of fire / flammable materials
- ❑ Minimum / Maximum inlet water pressure, 138/827 kPa (20/120 psig). (Suitable for ice making products)



**DANGER:** Indicates a hazardous situation which, if not avoided, will result in death or serious injury. Limit the use of this hazard statement to the most extreme situations.



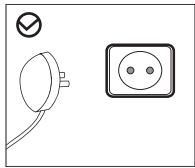
**WARNING:** Indicates a hazardous situation which, if not avoided, could result in death or serious injury.



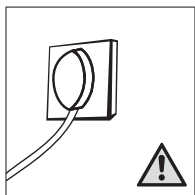
**CAUTION:** Indicates a hazardous situation which, if not avoided, could result in minor or moderate injury.

**NOTICE:** Is the preferred signal word to address practices not related to personal injury.

## ELECTRICITY RELATED WARNINGS



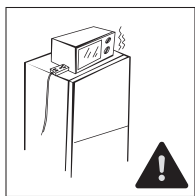
- ❑ Do not pull the power cord when pulling the power plug of the refrigerator. Please firmly grasp the plug and pull out it from the socket directly.
- ❑ To ensure safe use, do not damage the power cord or use the power cord when it is damaged or worn.



- ❑ Please use a dedicated power socket and the power socket shall not be shared with other electrical appliances.
- ❑ The power plug should be firmly contacted with the socket or else fires might be caused.
- ❑ Please ensure that the grounding electrode of the power socket is equipped with a reliable grounding line.



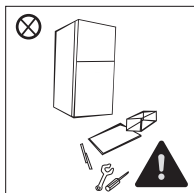
- ❑ Please turn off the valve of the leaking gas and then open the doors and windows in case of leakage of gas and other flammable gases.
- ❑ Do not unplug the refrigerator and other electrical appliances considering that spark may cause a fire.



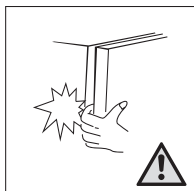
- ❑ Do not use electrical appliances on the top of the appliance, unless they are of the type recommended by the manufacturer.

# Safety Information

## WARNINGS FOR USING



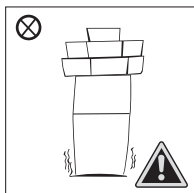
- Do not arbitrarily disassemble or reconstruct the refrigerator, nor damage the refrigerant circuit; maintenance of the appliance must be conducted by a specialist.
- Damaged power cord must be replaced by the manufacturer, its maintenance department or related professionals in order to avoid danger.



- The gaps between refrigerator doors and between doors and refrigerator body are small, be noted not to put your hand in these areas to prevent from squeezing the finger. Please be gentle when close the refrigerator door to avoid falling articles.
- Do not pick foods or containers with wet hands in the freezing chamber when the refrigerator is running, especially metal containers in order to avoid frostbite.



- Do not allow any child to get into or climb the refrigerator; otherwise suffocation or falling injury of the child may be caused.

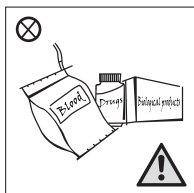


- Do not place heavy objects on the top of the refrigerator considering that objectives may fall when close or open the door, and accidental injuries might be caused.
- Please pull out the plug in case of power failure or cleaning. Do not connect the freezer to power supply within five minutes to prevent damages to the compressor due to successive starts.

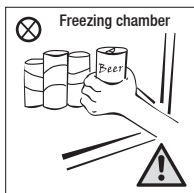
## WARNINGS FOR PLACEMENT



- Do not put flammable, explosive, volatile and highly corrosive items in the refrigerator to prevent damages to the product or fire accidents.
- Do not place flammable items near the refrigerator to avoid fires.



- The refrigerator is intended for household use, such as storage of foods; it shall not be used for other purposes, such as storage of blood, drugs or biological products, etc.



- Do not store beer, beverage or other fluid contained in bottles or enclosed containers in the freezing chamber of the refrigerator; otherwise the bottles or enclosed containers may crack due to freezing to cause damages.

# Safety Information

## WARNINGS FOR ENERGY

- Refrigerating appliances might not operate consistently (possibility of defrosting of contents or temperature becoming too warm in the frozen food compartment) when sited for an extended period of time below the cold end of the range of temperatures for which the refrigerating appliance is designed.
- The fact that effervescent drinks should not be stored in food freezer compartments or cabinets or in low-temperature compartments or cabinets, and that some products such as water ices should not be consumed too cold;
- The need to not exceed the storage time(s) recommended by the food manufacturers for any kind of food and particularly for commercially quick-frozen food in food-freezer and frozen-food storage compartments or cabinets;
- The precautions necessary to prevent an undue rise in the temperature of the frozen food while defrosting the refrigerating appliance, such as wrapping the frozen food in several layers of newspaper.
- The fact that a rise in temperature of the frozen food during manual defrosting, maintenance or cleaning could shorten the storage life.
- The necessity that, for doors or lids fitted with locks and keys, the keys be kept out of the reach of children and not in the vicinity of the refrigerating appliance, in order to prevent children from being locked inside.

## WARNINGS FOR DISPOSAL



Refrigerant and cyclopentane foaming material used for the refrigerator are flammable. Therefore, when the refrigerator is scraped, it shall be kept away from any fire source and be recovered by a special recovering company with corresponding qualification other than be disposed by combustion, so as to prevent damage to the environment or any other harm.



When the refrigerator is scraped, disassemble the doors, and remove gasket of door and shelves; put the doors and shelves in a proper place, so as to prevent trapping of any child.



Correct disposal of this product :

This marking indicates that this product should not be disposed with other household wastes throughout the EU. To prevent possible harm to the environment or human health from uncontrolled waste disposal, recycle it responsibly to promote the sustainable reuse of material resources. To return your used device, please use the return and collection systems or contact the retailer where the product was purchased. They can take this product for environmental safe recycling.

# Warranty

## REFRIGERATOR LIMITED WARRANTY

Your product is protected by this Limited Warranty:

Warranty service must be obtained from VISSANI Consumer Services or an authorized VISSANI servicer.

Warranty

- One year Limited Warranty from original purchase date.

VISSANI, through its authorized servicers will:

- Pay all costs for repairing or replacing parts of this appliance which prove to be defective in materials or workmanship.

Consumer will be responsible for:

- Diagnostics, removal, transportation and reinstallation cost required because of service.
- Costs of service calls that are a result of items listed under NORMAL RESPONSIBILITIES OF THE CONSUMER\*\*

VISSANI replacement parts shall be used and will be warranted only for the period remaining on the original warranty.

## NORMAL RESPONSIBILITIES OF THE CONSUMER\*\*

This warranty applies only to products in ordinary household use, and the consumer is responsible for the items listed below:

1. Proper use of the appliance in accordance with instructions provided with the product.
2. Routine maintenance and cleaning necessary to keep the good working condition.
3. Proper installation by an authorized service professional in accordance with instructions provided with the appliance and in accordance with all local plumbing, electrical and / or gas codes.
4. Proper connection to a grounded power supply of sufficient voltage, replacement of blown fuses, repair of loosened connections or defects in house wiring.
5. Expenses for making the appliance accessible for servicing.
6. Damages to finish after installation.

## EXCLUSIONS

This warranty does not cover the following:

1. Failure caused by damage to the unit while in your possession (other than damage caused by defect or malfunction), by its improper installation, or by unreasonable use of the product, including without limitation, failure to provide reasonable and necessary maintenance or to follow the written Installation and Operating Instructions.
2. Products purchased "as-is" or refurbished are not covered by this warranty.
3. Food loss caused by refrigerator or freezer failure.
4. Service calls to repair or replace consumables such as water filters, light bulbs air filters etc., or handles, knobs and other cosmetic parts.
5. Product that has been transferred from its original owner.
6. Interior or exterior rust on the unit.
7. Damages caused by services performed by persons other than authorized VISSANI servicers; use of parts other than VISSANI replacement parts; obtained from persons other than such VISSANI customer service; or external causes such as abuse, misuse, inadequate power supply or acts of God.
8. Service calls resulting from improper installation of your product.
9. Service calls to instruct you on the use of your product.
10. Surcharges including, but not limited to, any after hour, weekend, or holiday service calls, tolls, ferry trip charges, or mileage expense for service calls to remote areas, including the state of Alaska.
11. If the unit is put to commercial, business, rental, or other use or application other than for consumer use, we make no warranties, express or implied, including but not limited to, any implied warranty of merchantability or fitness for particular use or purpose.
12. Product that has been removed outside the USA or Canada.
13. Products without original serial numbers or products that have serial numbers which have been altered or cannot be readily determined.

**NOTICE:** Some states do not allow the exclusion or limitation of incidental or consequential damages. So this limitation or exclusion may not apply to you.

# Warranty

## IF YOU NEED SERVICE

Keep your bill of sale, delivery slip, or some other appropriate payment record. Should service be required, the date on the bill establishes the warranty period commencement date.

If service is performed, it is in your best interest to obtain and keep all receipts.

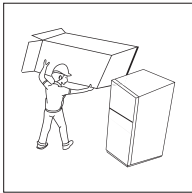
This written warranty gives you specific legal rights. You may also have other rights that vary from state to state.

Service under this warranty must be obtained by:

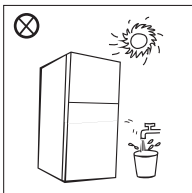
Contact the Customer Service Team at 1-855-847-7264.

## Pre-Installation

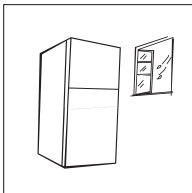
### PLACEMENT



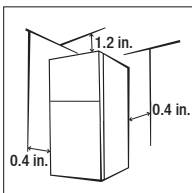
- Before use, remove all packing materials, including bottom cushions, foam pads and tapes inside of the refrigerator; tear off the protective film on the doors and the refrigerator body.



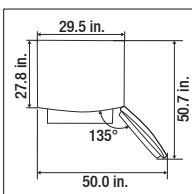
- Keep away from heat and avoid direct sunlight. Do not place the freezer in moist or watery places to prevent rust or reduction of insulating effect.
- Do not spray or wash the refrigerator; do not put the refrigerator in moist places easy to be splashed with water so as not to affect the electrical insulation properties of the refrigerator.



- The refrigerator is placed in a well-ventilated indoor place; the ground shall be flat, and sturdy (rotate left or right to adjust the wheel for levelling if unstable).



- The top space of the refrigerator shall be greater than 1.2 in, and The refrigerator should be placed against a wall with a free distance more than 0.4 in to facilitate heat dissipation.



- Spare enough space for convenient opening of the doors and drawers or statement by the distributor.

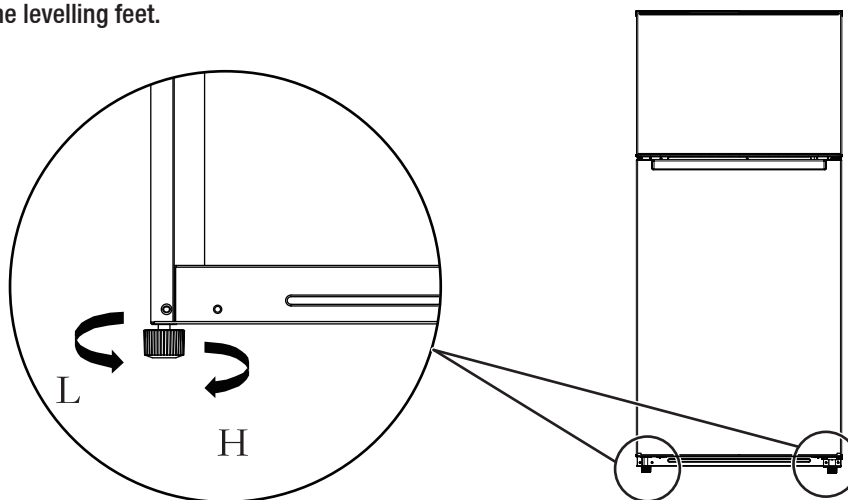


**WARNING:** Information in the Instruction Manual is only for reference. The physical product may differ. Before installation and adjusting of accessories, it shall be ensured that the refrigerator is disconnected from power.

## Pre-Installation

### LEVELLING FEET

Schematic diagram of the levelling feet.



Adjusting procedures:

- Turn the feet clockwise to raise the refrigerator;
- Turn the feet counterclockwise to lower the refrigerator;
- Adjust the right and left feet based on the procedures above to a horizontal level.

### REVERSE THE DOOR SWING



**WARNING:** Follow all steps when reversing the door swing. Failure to follow these instructions, leaving off parts, or overtightening screws, can lead to the door falling off and result in injury and property damage.



**NOTE:**

When reversing the door swing.

- Read the instructions all the way through before starting.
- Handle parts carefully to avoid scratching paint.
- Set screws down by their related parts to avoid using them in the wrong places.
- Provide a non-scratching work surface for the doors.
- It is recommended that 2 people perform this task.

**IMPORTANT:** Once you begin, do not move the cabinet until door-swing reversal is completed.

These instructions are for changing the hinges from the right side to the left side—if you ever want to change the hinges back to the right side, follow these same instructions and reverse all references to left and right.

### Tools Required



$\frac{5}{16}$  in. Socket driver



Phillips screwdriver



Putty knife or thin-blade screwdriver



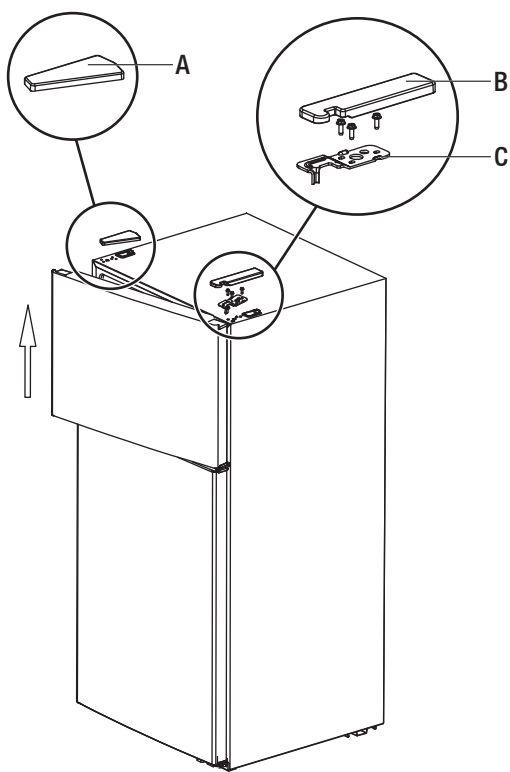
# Pre-Installation

## 1 Remove the freezer door



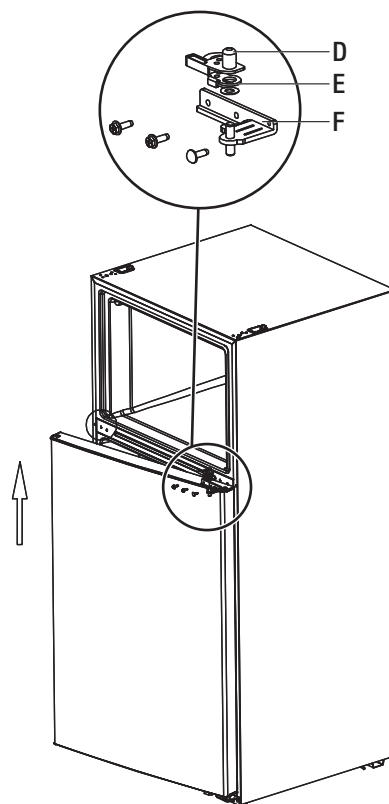
**WARNING:** Unplug the refrigerator from its electrical outlet. Empty all door shelves.

- Remove the hole cover and the right top hinge cover, then unscrew screws and remove the right top hinge. Keep the screws to reuse.
- Lift the freezer door up and away from your refrigerator.



## 2 Remove the Refrigerator door

- Unscrew screws of middle hinge, remove the hinge, then lift the refrigerator door up and away from your refrigerator. Save the screws to reuse.

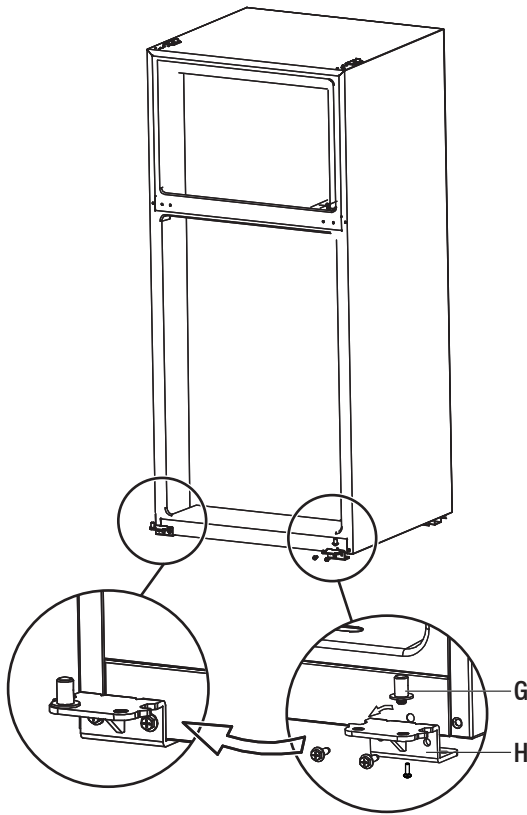


Part	Description	Quantity
A	Hole cap	1
B	Right top hinge cover	1
C	Top Right hinge	1
D	Right door self-locking block	1
E	Right door open stopper	1
F	Middle right hinge	1

## Pre-Installation

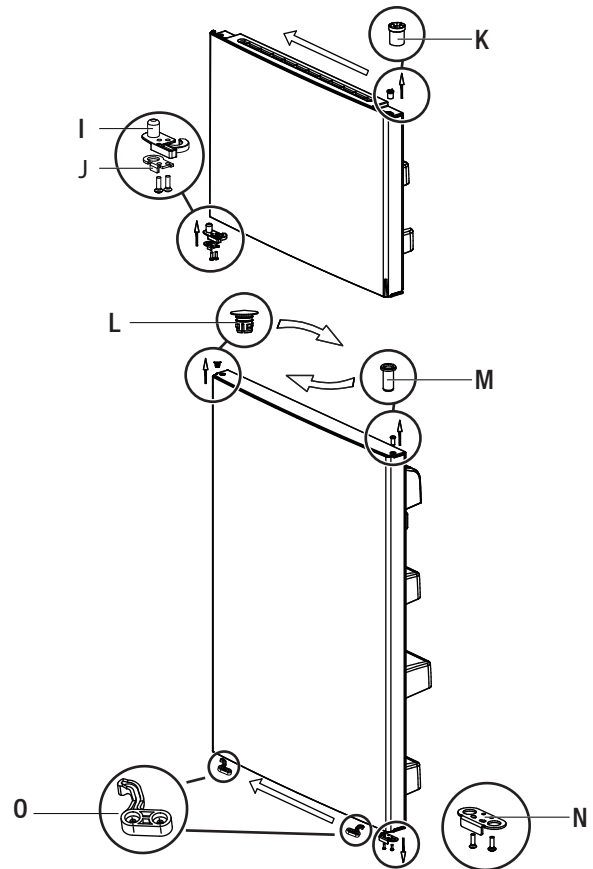
### 3 Install the hinge

- Unscrew screws of the bottom hinge, then remove the bottom hinge from the bottom right side of the refrigerator.
- Unscrew the hinge shaft from the right side of the bottom hinge and move it to the left side, then secure the bottom hinge to the bottom left side of the refrigerator, using the screws you removed previously.



### 4 Install door stopper

- Remove the sleeves from the top right of doors and hole cap from top left of doors, and assemble them on the opposite sides.
- Remove the refrigerator door bottom stopper and self-locking block, then install them to the opposite side. Remove the freezer right door open stopper and save them to reuse. Take out the left freezer self-locking block and left door open stopper from accessory bag in the refrigerator and installed on the left of freezer door.

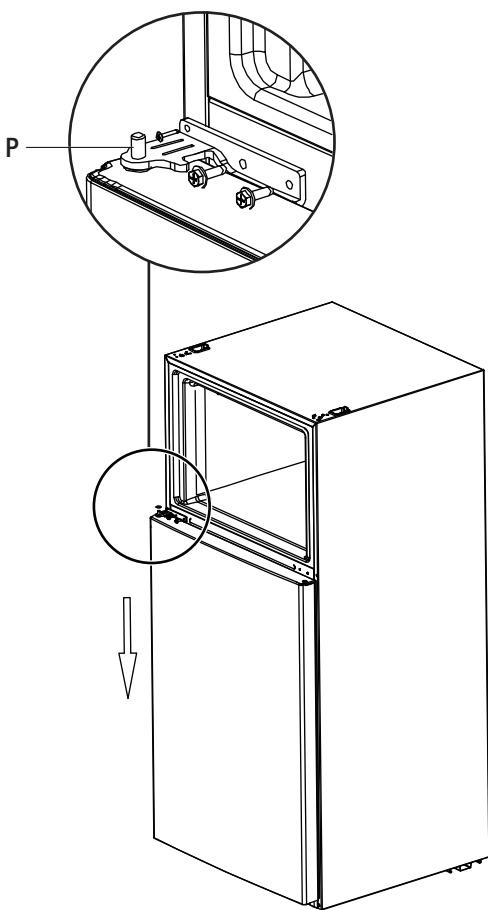


Part	Description	Quantity
G	Hinge shaft	1
H	Bottom hinge	1
I	Left door self-locking block	1
J	Left door open stopper	1
K	Top sleeves	1
L	Hole cap	1
M	Sleeves	1
N	Bottom stopper	1
O	Lower door self-locking block	1

## Pre-Installation

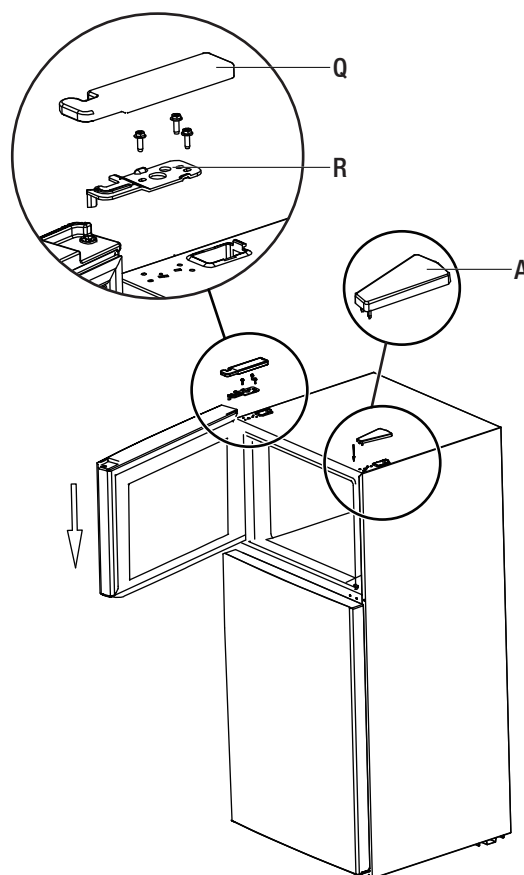
### 5 Install the refrigerator door and middle hinge

- Install the refrigerator door vertically onto the bottom hinge. Take out the middle left hinge from the accessory bag then assemble the middle left hinge on the left side of the refrigerator.



### 6 Install the freezer door

- Install the freezer door vertically into the center hinge. Take out the left top hinge and left top hinge cover from accessory bag, assemble left top hinge, left top hinge cover and hole cover.



Part	Description	Quantity
P	Middle left hinge	1
Q	Left top hinge cover	1
R	Top left hinge	1
A	Hole cap	1

## INSTALLING AN OPTIONAL ICE MAKER

- The refrigerator comes set up for ice maker installation, This refrigerator is compatible with Midea IM1900MD ice maker. Please refer to individual ice maker installation instruction manual.

## STARTING

- Before initial start, keep the refrigerator still for half an hour before connecting it to power supply.
- Before putting any fresh or frozen foods, the refrigerator shall have run for 2-3 hours, or for above 4 hours in summer when the ambient temperature is high.
- This refrigerator is tested for garage use from 38 °F to 110 °F ,but recommended to be used from 50 °F to 110 °F for better cooling performance in freezer room.
- In cold season, turn the freezer setting to COLDER and fridge to 5. In hot season , turn the freezer setting to Mid and fridge to 3.
- Do not use the refrigerator where the ambient temperature below 38 °F , or it will stop cooling.

## ENERGY SAVING TIPS

- The appliance should be located in the coolest area of the room, away from heat producing appliances or heating ducts, and out of the direct sunlight.
- Let hot foods cool to room temperature before placing in the appliance. Overloading the appliance forces the compressor to run longer. Foods that freeze too slowly may lose quality, or spoil.
- Be sure to wrap foods properly, and wipe containers dry before placing them in the appliance. This cuts down on frost build-up inside the appliance.
- Appliance storage bin should not be lined with aluminum foil, wax paper, or paper toweling. Liners interfere with cold air circulation, making the appliance less efficient.
- Organize and label food to reduce door openings and extended searches. Remove as many items as needed at one time, and close the door as soon as possible.

# Maintenance and Cleaning

## OVERALL CLEANING



**WARNING:** Please unplug the refrigerator for defrost and cleaning.

- Dusts behind the refrigerator and on the ground shall be timely cleaned to improve the cooling effect and energy saving. The interior of the refrigerator should be cleaned regularly to avoid odor.
- Soft towels or sponge dipped in water and non-corrosive neutral detergents are suggested for cleaning. The freezer of shall be finally cleaned with clean water and dry cloth. Open the door for natural drying before the power is turned on.
- Do not use hard brushes, clean steel balls, wire brushes, abrasives, such as toothpastes, organic solvents (such as alcohol, acetone, banana oil, etc.), boiling water, acid or alkaline items clean refrigerator considering that this may damage the fridge surface and interior.
- Do not rinse with water so as not to affect the electrical insulation properties.

## DEFROSTING

- The refrigerator is made based on the air-cooling principle and thus has automatic defrosting function. Frost formed due to change of season or temperature may also be manually removed by disconnection of the appliance from power supply or by wiping with a dry towel.

## CHANGING THE LIGHT

1. Unplug the refrigerator.
2. The light bulb is located at the top of the refrigerator cabinet.
3. Using a screwdriver, remove the screw securing the light cover, then remove the light cover.
4. Replace the LED with a new LED, input rating: 115V AC 3.5W.
5. Replace the light cover.
6. Plug the refrigerator back in and resume normal functioning.

## OUT OF OPERATION

- **Power failure:** In case of power failure, even if it is in summer, foods inside the appliance can be kept for several hours; during the power failure, the times of door opening shall be reduced, and no more fresh food shall be put into the appliance.
- **Long-time nonuse:** The appliance shall be unplugged and then cleaned; then the doors are left open to prevent odor.
- **Moving:** Before the refrigerator is moved, take all objects inside out, fix the glass partitions, vegetable holder, freezing chamber drawers and etc. with tape, and tighten the leveling feet; close the doors and seal them with tape. During moving, the appliance shall not be laid upside down or horizontally, or be vibrated; the inclination during movement shall be no more than 45°.

**NOTICE:** The appliance shall run continuously once it is started. Generally, the operation of the appliance shall not be interrupted; or otherwise the service life may be impaired.

# Troubleshooting

**NOTICE:** You may try to solve the following simple problems by yourself. If them cannot be solved, please contact the after-sales department.

Problem	Possible Cause & Solution
Failed operation	Check whether the appliance is connected to power or whether the plug is in well contact; Check whether the voltage is too low; Check whether there is a power failure or partial circuits have tripped;
Odor	Odorous foods shall be tightly wrapped; Check whether there is any rotten food; Clean the inside of the refrigerator;
Long-time operation of the compressor	Long operation of the refrigerator is normal in summer; When the ambient temperature is high; It is not suggestible having too much food in the appliance at the same time; Food shall get cool before being put into the appliance; The doors are opened too frequently;
Light fails to get lit	Check whether the refrigerator is connected to power supply and whether the illuminating light is damaged; Have the light replaced by a specialist;
Doors cannot be properly closed	The door is stuck by food packages Too much food is placed; The refrigerator is tilted;
Loud noise	Check whether the floor is level and whether the refrigerator is placed stably; Check whether accessories are placed at proper locations;
Door seal fails to be tight	Remove foreign matters on the door seal; Heat the door seal and then cool it for restoration (or blow it with an electrical drier or use a hot towel for heating);
Water pan overflows	There is too much food in the chamber or food stored contains too much water, resulting in heavy defrosting; The doors are not closed properly, resulting in frosting due to entry of air and increased water due to defrosting;
Hot housing	Heat dissipation of the built-in condenser via the housing, which is normal; When housing becomes hot due to high ambient temperature, storage of too much food or shutdown of the compressor is shut down; Provide sound ventilation to facilitate heat dissipation;
Surface condensation	Condensation on the exterior surface and door seals of the refrigerator is normal when the ambient humidity is too high; Just wipe the condensate with a clean towel;
Abnormal noise	Buzz: The compressor may produce buzzes during operation, and the buzzes are loud particularly upon start or stop. This is normal. Creak: Refrigerant flowing inside of the appliance may produce creak, which is normal.

## ERROR CODES

Fault Code	Fault Description
LED1 indicator and LED2 indicator	Refrigerator temperature sensor circuit
LED1 indicator and LED3 indicator	Freezer defrost sensor
LED1 indicator and LED4 indicator	Ambient temperature sensor

## Notes

---



# VISSANI

Questions, problems, missing parts? Before returning to the store,  
call Vissani Customer Service  
Monday - Friday 8 a.m. to 8 p.m., Saturday 8 a.m. to 6 p.m.

**1-855-847-7264**

**HOMEDEPOT.COM  
HOMEDEPOT.CA**

Retain this manual for future use.