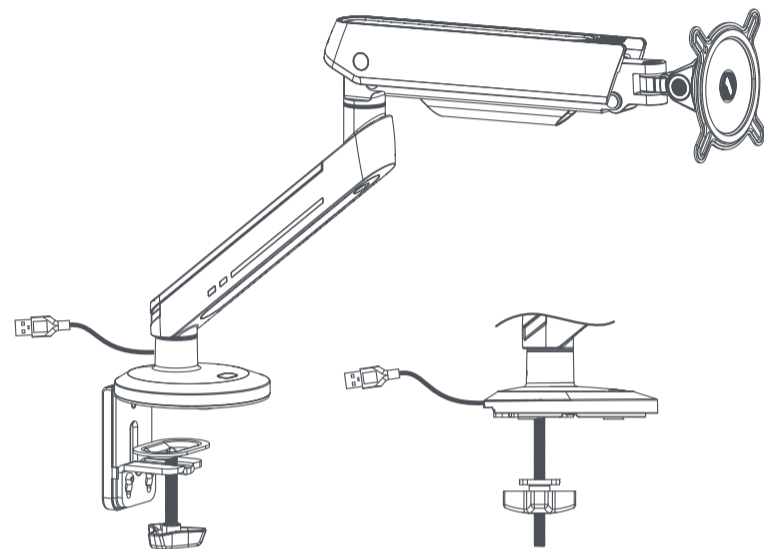


QUICK INSTALLATION GUIDE
GUIDE D'INSTALLATION RAPIDE**DM8110/DM8120****EXPERIENCE****ONE FOR ALL**
ASSISTANT APP**ENGLISH**

Congratulations on the purchase of this One for All product! The product you now have in your possession is made of durable materials and is based on a design, every detail of which has been meticulously thoughtout. That is why One for All gives you a 10-year guarantee for defects in materials or manufacturing.

GUARANTEE TERMS AND CONDITIONS

1. One for All guarantees that if during the guarantee period of a product, faults arise due to defects in manufacturing and/or materials, it will, at its discretion, repair or if necessary replace the product, free of cost. A guarantee for normal wear and tear is hereby expressly excluded.
2. If the guarantee is invoked, the product should be sent to One for All together with the original purchase document (invoice, sales slip or cash receipt). The purchase document should clearly show the name of the supplier and the date of purchase.
3. One for All guarantee shall lapse in the following cases: - If the product has not been drilled, installed and used in accordance with the Instructions for Use; - If the product has been altered or repaired by someone a party other than One for All; - If a fault arises due to external causes (outside the product) such as for example lightning, water nuisance, fire, scuffing, exposure to extreme temperatures, weather conditions, solvents or acids, wrong use or negligence; - If the product is used for different equipment than is mentioned on or in the packing.

UNIVERSAL ELECTRONICS BV, COLOSSEUM 2, 7521 PT ENSCHEDE, THE NETHERLANDS

WARNING

Correct installation is extremely essential, and falls outside the scope of responsibility of One for All. The fastening material provided is exclusively intended for installation on walls made of solid wood, bricks, concrete or solid-wood columns with a maximum of 3 mm wall finishing. For walls made of other materials, for example hollow bricks, please consult your installer and/or specialist supplier. During installation, please also follow the instructions for installation and use of the apparatus to be installed/fixe (for example the LCD/plasma screen).

FRANÇAIS

Nous vous felicitons pour l'achat de ce produit One for All ! Vous venez d'acquérir un produit realise a partir de materiaux durables et d'une conception ingenieuse jusque dans les moindres details. One for All est ainsi en mesure de garantir ses produits pendant 10 ans contre les defauts de materiaux et de fabrication.

CONDITIONS GÉNÉRALES DE GARANTIE

1. One for All garantit que, si le produit presente - pendant la periode de garantie - un probleme consecutif a des defauts de materiaux et/ou de fabrication, le produit sera gratuitement repare ou remplace (a l'appréciation de One for All). L'usure normale est expressement exclue de la garantie.
2. S'il est fait appel a la garantie, le produit doit etre remis a One for All avec presentation de la preuve d'achat originale (facture, ticket de caisse ou quittance). La preuve d'achat doit clairement mentionner le nom du fournisseur et la date d'achat.
3. La garantie de One for All prend fin dans les cas suivants: - si le produit n'est pas fore, assemble et utilise conformement aux instructions du mode d'emploi; - si le produit a subi des modifications ou des reparations par des tiers autres que One for All; - si le probleme est la consequence de facteurs externes (exterieurs au produit) tels que foudre, degats des eaux, incendie, eraflures, exposition a des temperatures extremes, intemperies, solvants ou acides, mauvaise utilisation ou negligence; - si le produit est utilise pour des appareils autres que ceux specifiés sur ou a l'interieur de l'emballage.

UNIVERSAL ELECTRONICS BV, COLOSSEUM 2, 7521 PT ENSCHEDE, PAYS-BAS

AVERTISSEMENT

Le montage correct est d'une importance fondamentale et ne releve pas de la responsabilite de One for All. Le materiel de fixation fourni est uniquement prevu pour un montage sur des parois en bois massif, en briques, en beton ou sur des piliers en bois massif, avec une finition de 3 mm maximum. Veuillez consulter votre installateur et/ou votre detailliant specialise pour les parois constituees d'autres materiaux, comme la brique creuse. Lors du montage, il convient egalement de respecter les consignes d'installation et d'utilisation du materiel a placer/fixer proprement dit (par exemple, de l'ecran LCD/plasma).

Connect with us



facebook.com/
oneforallworldwide



@oneforall.worldwide



linkedin.com/
company/one-for-all-worldwide/



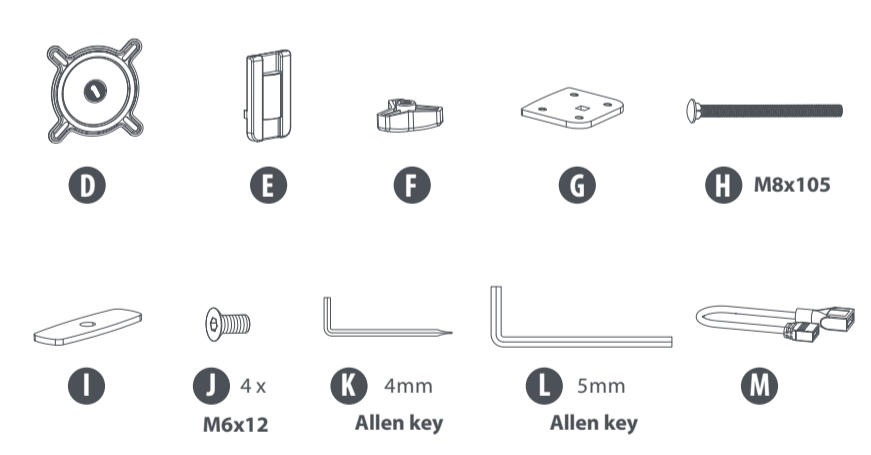
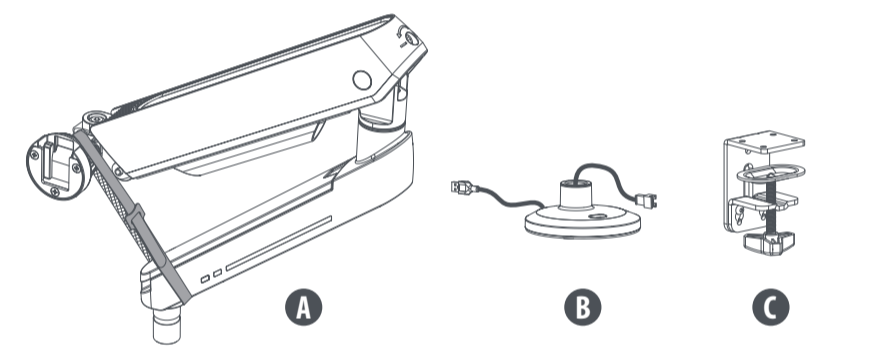
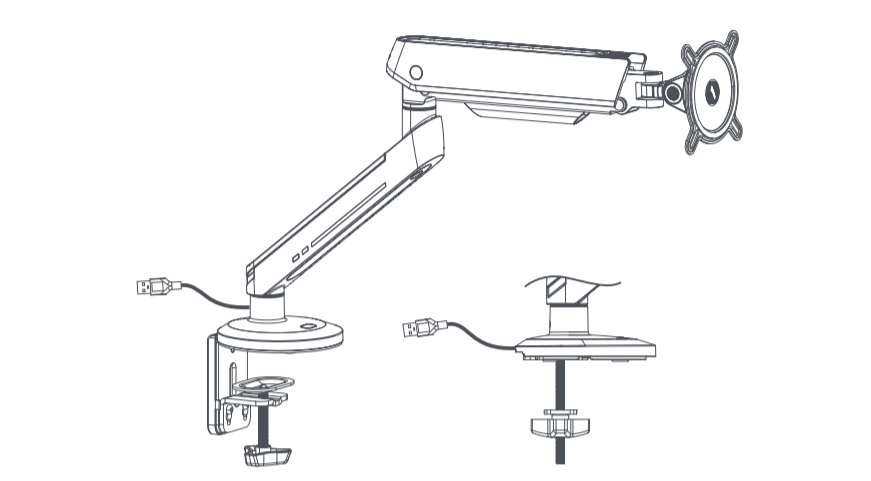
youtube.com/
user/oneforallproducts

14 kg

max 45"

VESA

Universal
100 x 100 max



Package M

M-A 4 x M4x12mm

M-B 4 x M5x12mm

M-C 4 x D5

Separate the waste
Differenza i Rifuti

<http://www.oneforall.com/documents>

DMB110/DMB120
P.O. Box 3332, 7500 DH Enschede
The Netherlands
RDN-1-020625

START

1

Note: Manage the USB cables as shown prior to the grommet or clamp installation.

2a

CLAMP INSTALLATION For 10-50mm thickness desks

10-50mm

For 45-85mm thickness desks

45-85mm

2b

GROMMET INSTALLATION Desktop with Existing Through-Hole.

10-80mm \varnothing 10-60mm

\varnothing 10mm (\varnothing 3/8")

10-80mm

3

Stored energy hazard!

- Firmly hold the two halves of the spring arm together and have another person loosen and remove the hook-and-loop fastener from around the spring arm.
- Slowly release the pressure on the spring arm and allow it to gradually stretch to its full extension.

Do not put hands around or near the joint as shown.

4

Too Long Too Short

5

CAUTION: Do not release the monitor immediately after hanging and wait until you are sure it is stable in its position to prevent injury to personnel or equipment. If the arm rises or falls, refer to the next step for adjustment.

UNLOCK

LOCK

6

2+

Before adjusting the spring tension and during the adjustment process, **position and hold the arm horizontally as shown**. Use the supplied Allen Key for adjustment. Ask for assistance should you require it.

If the arm **drops**, turn the adjustment screw in the + direction until it remains in a horizontal position.

If the arm **rises**, turn the adjustment screw in the - direction until it remains in a horizontal position.

CAUTION: DO NOT over tighten the screws.

7

Store the Allen Keys in the tool holder for future use.

Button Function of Lighting:

- On/Off:** Press and hold it for 2 seconds
- Light Mode Switch:** Quick press to the next light mode (20 modes in total)
- Extended Functionality:** Double click the button to enter slave mode (the static rainbow lighting will flash once), and click once or twice to exit the mode.

ARGB Signal Input from External Device: Connect to external lighting control devices with a 5V 3-pin ARGB interface. (Use the Adapter Cable **M** in the accessory package for connection.)

ARGB Signal Input from ONE FOR ALL ARGB Hub: Connect to the slave USB port of the Controller. (The ONE FOR ALL ARGB Hub is not included in the package.)

4. Memory Setting: The system automatically saves the lighting mode from the last shutdown.

Note: If the display does not stop at your desired position, adjust the screws using the tools as shown.

CAUTION: DO NOT rotate the monitor past rear edge of desk to avoid an unstable situation that may cause tipping.

FINISH