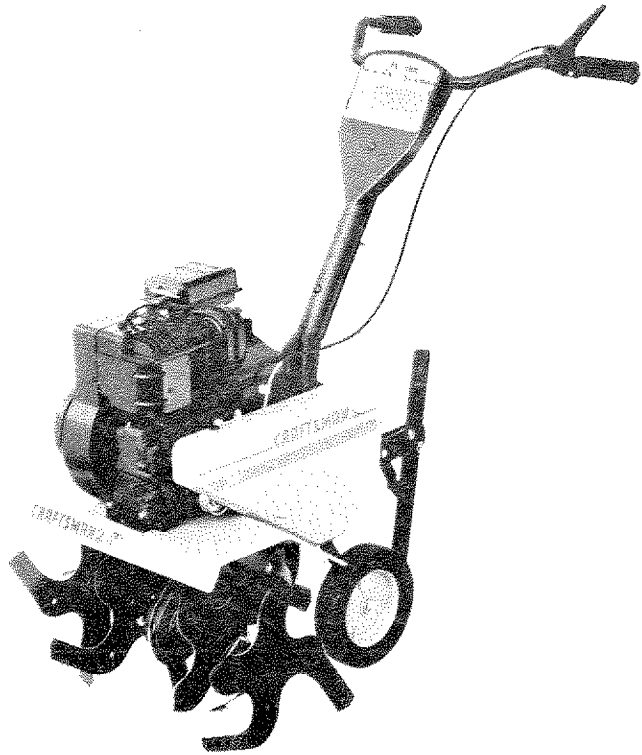


SEARS

**OWNER'S
MANUAL**

**MODEL NO.
917.298350**

Caution:
Read and follow
all Safety Rules
and Instructions
Before Operating
This Equipment



CRAFTSMAN[®]

**5.0 HP
24 INCH TINE WIDTH
FRONT TINE TILLER**

- Assembly
- Operation
- Maintenance
- Service and Adjustment
- Repair Parts

Sears, Roebuck and Co., Chicago, IL 60684 U.S.A.



SAFETY RULES

Safe Operation Practices for Walk-Behind Powered Rotary Tillers



TRAINING

- Read the operating and service instruction manual carefully. Be thoroughly familiar with the controls and the proper use of the equipment. Know how to stop the unit and disengage the controls quickly.
- Never allow children to operate the equipment. Never allow adults to operate the equipment without proper instruction.
- Keep the area of operation clear of all persons, particularly small children, and pets.

PREPARATION

- Thoroughly inspect the area where the equipment is to be used and remove all foreign objects.
- Disengage all clutches and shift into neutral before starting the engine (motor).
- Do not operate the equipment without wearing adequate outer garments. Wear footwear that will improve footing on slippery surfaces.
- Handle fuel with care; it is highly flammable.
 - Use an approved fuel container.
 - Never add fuel to a running engine or hot engine.
 - Fill fuel tank outdoors with extreme care. Never fill fuel tank indoors.
 - Replace gasoline cap securely and clean up spilled fuel before restarting.
- Use extension cords and receptacles as specified by the manufacturer for all units with electric drive motors or electric starting motors.
- Never attempt to make any adjustments while the engine (motor) is running (except where specifically recommended by manufacturer).

OPERATION

- Do not put hands or feet near or under rotating parts.
- Exercise extreme caution when operating on or crossing gravel drives, walks, or roads. Stay alert for hidden hazards or traffic. Do not carry passengers.
- After striking a foreign object, stop the engine (motor), remove the wire from the spark plug, thoroughly inspect the tiller for any damage, and repair the damage before restarting and operating the tiller.
- Exercise caution to avoid slipping or falling.

- If the unit should start to vibrate abnormally, stop the engine (motor) and check immediately for the cause. Vibration is generally a warning of trouble.
- Stop the engine (motor) when leaving the operating position, before unclogging the tines, and when making any repair, adjustments, and inspections.
- Take all possible precautions when leaving the machine unattended. Disengage the power take-off, lower the attachment, shift into neutral, stop the engine, and remove the key.
- Before cleaning, repairing, or inspecting, shut off the engine and make certain all moving parts have stopped. Disconnect the spark plug wire, and keep the wire away from the plug to prevent accidental starting. Disconnect the cord on electric motors.
- Do not run the engine indoors; exhaust fumes are dangerous.
- Never operate the tiller without proper guards, plates, or other safety protective devices in place.
- Keep children and pets away.
- Do not overload the machine capacity by attempting to till too deep at too fast a rate.
- Never allow bystanders near the unit.
- Use only attachments and accessories approved by the manufacturer of the tiller (such as wheel weights, counterweights, cabs, and the like).
- Never operate the tiller without good visibility or light.
- Be careful when tilling in hard ground. The tines may catch in the ground and propel the tiller forward. If this occurs, let go of the handlebars and do not restrain the machine.

MAINTENANCE AND STORAGE

- Keep machine, attachments, and accessories in safe working condition.
- Check shear bolts, engine mounting bolts, and other bolts at frequent intervals for proper tightness to be sure the equipment is in safe working condition.
- Never store the machine with fuel in the fuel tank inside a building where ignition sources are present, such as hot water and space heaters, clothes dryers, and the like. Allow the engine to cool before storing in any enclosure.
- Always refer to the operator's guide instructions for important details if the tiller is to be stored for an extended period.

-IMPORTANT -

Warnings, Cautions, and Notes are a means of attracting attention to important or critical information in this manual.



LOOK FOR THIS SYMBOL TO POINT OUT IMPORTANT SAFETY PRECAUTIONS. IT MEANS – ATTENTION! BECOME ALERT! YOUR SAFETY IS INVOLVED.

CAUTION: USED TO ALERT YOU THAT THERE IS A POSSIBILITY OF DAMAGING THIS EQUIPMENT.

NOTE: Gives essential information that will aid you to better understand, incorporate, or execute a particular set of instructions.

CONGRATULATIONS on your purchase of a Sears tiller. It has been designed, engineered and manufactured to give you the best possible dependability and performance.

Should you experience any problems you cannot easily remedy, please contact your nearest Sears Authorized Service Center. Sears has competent, well trained technicians and the proper tools to service or repair this unit.

Please read and retain this manual. The instructions will enable you to assemble and maintain your tiller properly. Always observe the "SAFETY RULES".

<p>MODEL NUMBER 917.298350</p> <p>SERIAL NUMBER _____</p> <p>DATE OF PURCHASE _____</p> <p>THE MODEL AND SERIAL NUMBERS WILL BE FOUND ON THE MODEL PLATE ATTACHED TO THE RIGHT HAND ENGINE BRACKET.</p> <p>YOU SHOULD RECORD BOTH SERIAL NUMBER AND DATE OF PURCHASE AND KEEP IN A SAFE PLACE FOR FUTURE REFERENCE.</p>

MAINTENANCE AGREEMENT

A Sears Maintenance Agreement is available on this product. Contact your nearest Sears store for details.

CUSTOMER RESPONSIBILITIES

- Read and observe the safety rules.
- Follow a regular schedule in maintaining, caring for and using your Tiller.
- Follow the instructions under "Maintenance" and "Storage" sections of this Owner's Manual.

PRODUCT SPECIFICATIONS

HORSEPOWER:	5.0 H.P.
DISPLACEMENT:	12.57 cu. in.
GASOLINE CAPACITY:	3 QUARTS Regular unleaded
OIL (20 oz. Capacity):	SAE 30 (or 10W30) Winter: SAE 5W30
SPARK PLUG (GAP .030 IN.):	Champion RJ19LM

This unit is equipped with an internal combustion engine and should not be used on or near any unimproved forest-covered, brush-covered, or grass-covered land unless the engine's exhaust system is equipped with a spark arrester meeting applicable local or state laws (if any). If a spark arrester is used, it should be maintained in effective working order by the operator.

In the state of California the above is required by law (Section 4442 of the California Public Resources Code). Other states may have similar laws. Federal laws apply on federal lands. See your Sears Authorized Service Center for spark arrester. Refer to the Repair Parts section of this manual for part number.

LIMITED ONE YEAR WARRANTY ON CRAFTSMAN TILLER

For one year from date of purchase, when this Craftsman Tiller is maintained, lubricated, and tuned up according to the operating and maintenance instructions in the owner's manual, Sears will repair free of charge any defect in material or workmanship.

This Warranty does not cover:

- Expendable items which become worn during normal use, such as tines, spark plugs, air cleaners and belts.
- Repairs necessary because of operator abuse or negligence, including bent crankshafts and the failure to maintain the equipment according to the instructions contained in the owner's manual.
- If this Craftsman Tiller is used for commercial or rental purposes, this Warranty applies for only 30 days from the date of purchase.

WARRANTY SERVICE IS AVAILABLE BY RETURNING THE CRAFTSMAN TILLER TO THE NEAREST SEARS SERVICE CENTER/DEPARTMENT IN THE UNITED STATES. THIS WARRANTY APPLIES ONLY WHILE THIS PRODUCT IS IN USE IN THE UNITED STATES.

This Warranty gives you specific legal rights, and you may also have other rights which vary from state to state.

SEARS, ROEBUCK AND CO., D/731CR-W SEARS TOWER, CHICAGO, IL 60684



TABLE OF CONTENTS

SAFETY RULES	2	MAINTENANCE	12
CUSTOMER RESPONSIBILITIES	3	MAINTENANCE SCHEDULE	12
WARRANTY	3	SERVICE & ADJUSTMENTS	14
PRODUCT SPECIFICATIONS	3	STORAGE	18
ASSEMBLY	6	TROUBLESHOOTING	19
OPERATION	8	REPAIR PARTS-TILLER	20-24


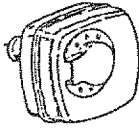
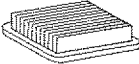
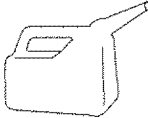

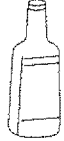
INDEX

A		F		Stopping Tines & Engine		9
Accessories	5	Fuel:		Tilling	11	
Adjustments:		Filling Tank	10	Tilling Hints	11	
Depth Stake	9	Type	10	Tine Operation	9	
Handle Height	14	Storage	18	Transporting Tiller	10	
Tines	14-15	Finish:		Winter Operation	10	
V-Belt	16	Maintenance	14			
Air Cleaner:		H		R		
Maintenance	13	Handle:		Repair Parts:		
B		Repair Parts	20	Tiller	20-24	
Belt:		Height Adjustment	14	Engine	25-29	
V-Belt	16	L		Rules for Safe Operation	2	
C		Lubrication:		S		
Cooling System:		Lubrication Chart	12	Service & Adjustments:		
Maintenance	13	Engine	13	Handle Height	14	
Controls:		M		Tine Arrangement	14-15	
Choke	8	Maintenance:		V-Belt	16	
Tine	8	Air Cleaner	13	Service:		
Throttle	8	Cooling System	13	Maintenance Schedule	12	
Cultivating:		Finish	14	Spark Plug:		
Operation	11	Maintenance Schedule	12	Gap	3	
D		Muffler	14	Maintenance	14	
Depth Stake:		Spark Plug	14	Storage:		
Adjustment	9	Transmission	14	Fuel System	18	
E		Oil Change	13	Tiller	18	
Engine:		Muffler:		T		
Air Cleaner	13	Maintenance	14	Tilling:		
Cooling System	13	Spark Arrestor	3	Operation	11	
Fuel Type	10	O		Tines:		
Lubrication	13	Oil:		Repair Parts	23	
Oil Level	10	Level	10	Arrangement	14-15	
Oil Type	10	Type	13	Operation	7,9	
Spark Plug	14	Operation:		Transmission:		
Starting	10	Cultivating	11	Maintenance	14	
Stopping	9	Fill Engine with Oil	10	Repair Parts	24	
Storage	18	Fill Fuel Tank	10	Troubleshooting Chart	19	
Winter Operation	10	Start Engine	10	Transporting	10	
				W		
				Warranty	3	





ACCESSORIES

THESE ACCESSORIES WERE AVAILABLE WHEN THE TILLER WAS PURCHASED. THEY ARE ALSO AVAILABLE AT MOST SEARS RETAIL OUTLETS, CATALOG AND SERVICE CENTERS. MOST SEARS STORES CAN ORDER REPAIR PARTS FOR YOU WHEN YOU PROVIDE THE MODEL NUMBER OF YOUR TILLER.

ENGINE

SPARK PLUG	MUFFLER	AIR FILTER	GAS CAN	ENGINE OIL	STABILIZER
					

TILLER MAINTENANCE

BELT	TINES	CLEVIS PIN	HAIRPIN CLIP
			

ASSEMBLY

TO ASSEMBLE YOUR TILLER YOU WILL NEED:

- (1) Utility knife
- (1) Pair of pliers
- (1) Screwdriver
- (2) 1/2" wrenches
- (1) Ratchet
- (1) Socket extension
- (1) 1/2" socket

OPERATOR'S POSITION

The right hand (R.H.) and left hand (L.H.) sides of your tiller are determined from the operator's position while standing behind tiller.

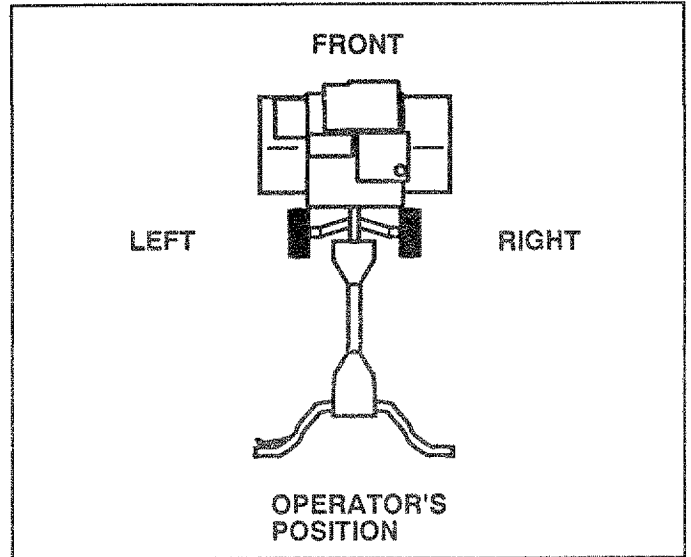
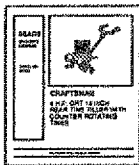
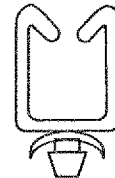


FIGURE 1

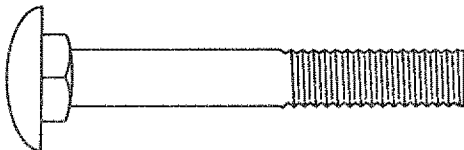
CONTENTS OF HARDWARE PACK



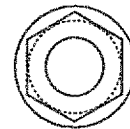
(1) Owner's Manual



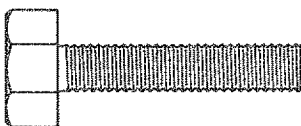
(1) Plastic Cable Clip



(2) Carriage Bolts 5/16-18 UNC x 2-3/8 Gr. 5



(2) Flange Locknuts 5/16-18 UNC



(2) Hex Bolts 5/16-18 x 1-1/4



(2) Hex Nuts 5/16-18



(2) Lockwashers 5/16

ASSEMBLY

UNPACK CARTON & INSTALL HANDLE (See Fig. 2)



BE CAREFUL OF EXPOSED STAPLES WHEN HANDLING OR DISPOSING OF CARTONING MATERIAL.

CAUTION: WHEN UNPACKING AND ASSEMBLING TILLER, BE CAREFUL NOT TO STRETCH OR KINK CABLES.

- Cut cable ties securing handle column.
- Slowly lift handle column up and slip over handle mount.
- Remove packing from carton.
- Secure handle column to handle mount using two (2) carriage bolts and (2) flange locknuts. Insert plastic cable clip into hole in handle column. Tighten both flange locknuts securely.
- Route clutch cable through plastic cable clip on handle column.
- Remove packing material from handle assembly.
- Cut cable ties securing tiller to skid.
- Cut away carton. Remove tiller from skid by pulling backwards.

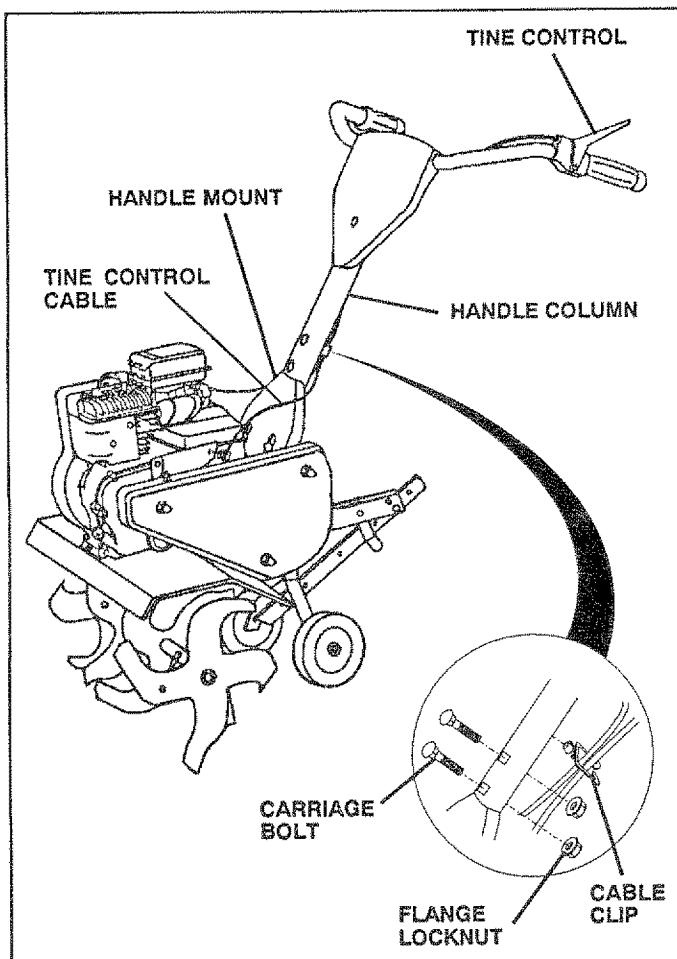


FIG. 2

INSTALL DEPTH STAKE ASSEMBLY (See Fig. 3)

- Insert stake support between engine bracket halves with stake spring down.

NOTE: It may be necessary to loosen nut "A".

- Bolt stake support to engine brackets with bolts, lock-washers and nuts. Tighten securely. Also tighten nut "A" if it was necessary to loosen.
- Depth stake must move freely. If it does not, loosen support bolt.

HANDLE HEIGHT

- Handle height may be adjusted to better suit operator (See "HANDLE HEIGHT" in Service and Adjustments section of this manual).

TILLING WIDTH

- Tilling width may be adjusted to better handle your tilling conditions (See "TINE ARRANGEMENT" in Service and Adjustments section of this manual).

TINE OPERATION

- Check tine operation before first use (See "TINE OPERATION CHECK" in Service and Adjustments section of this manual).

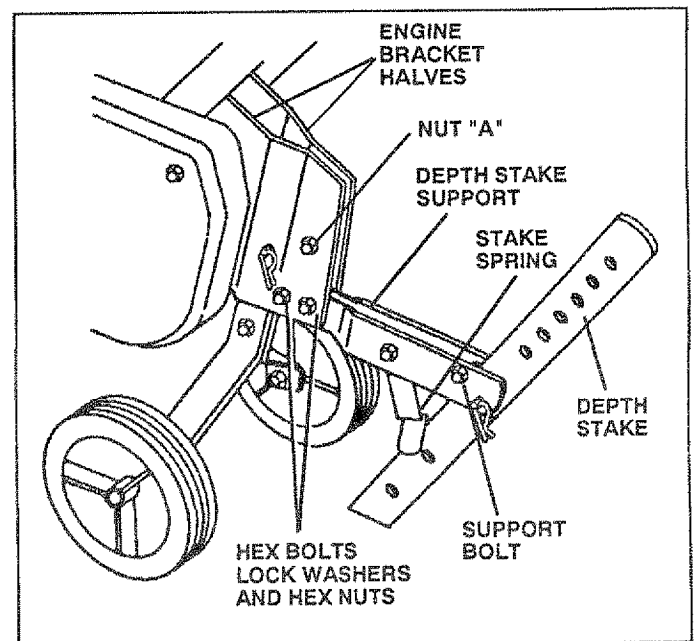


FIG. 3

OPERATION

KNOW YOUR TILLER

READ THIS OWNER'S MANUAL AND SAFETY RULES BEFORE OPERATING YOUR TILLER.

Compare the illustrations with your tiller to familiarize yourself with the location of various controls and adjustments. Save this manual for future reference.

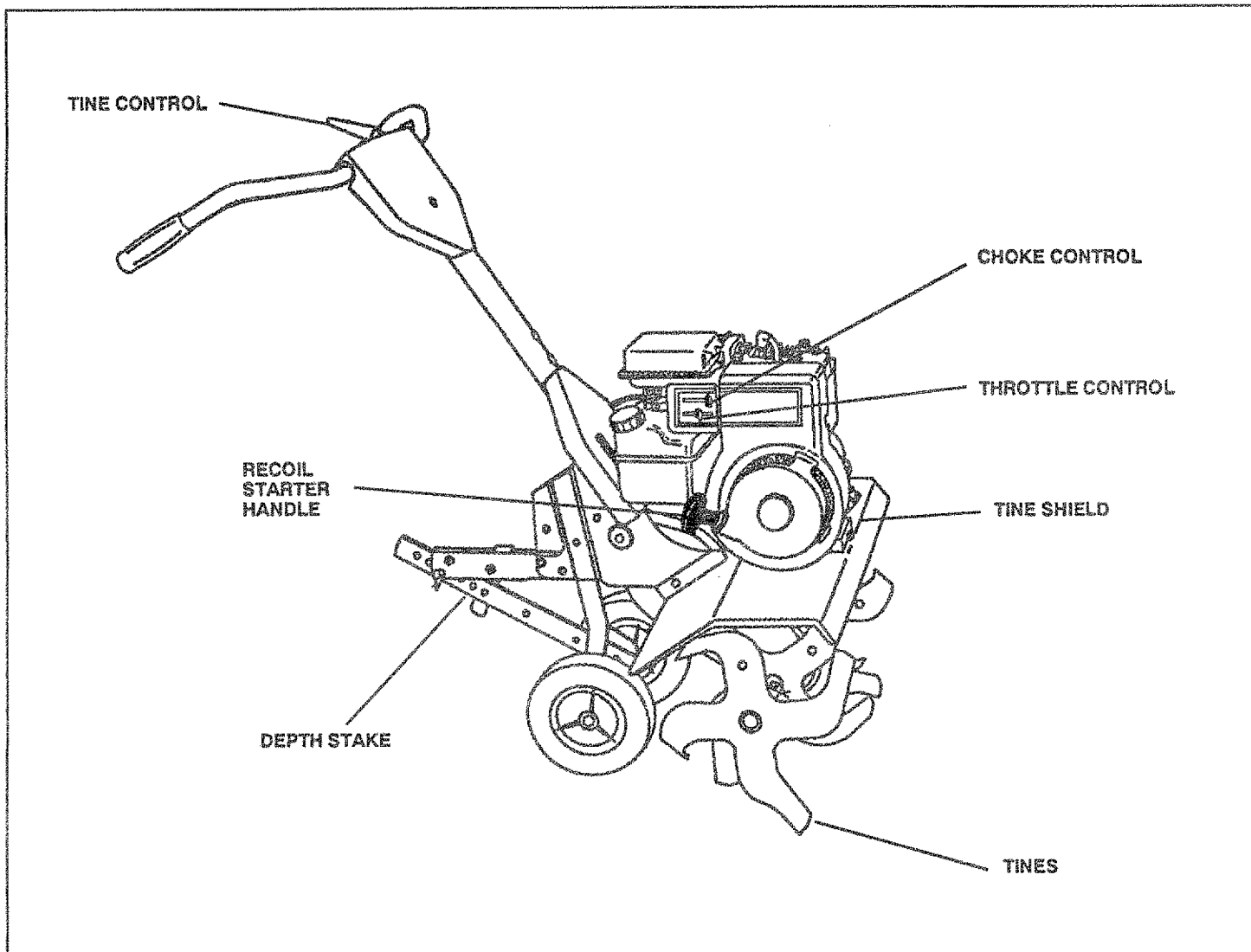


FIG. 4

MEETS ANSI SAFETY REQUIREMENTS

Sears front tine tillers conform to the safety standards of the American National Standards Institute.

TINE CONTROL - Engages tines.

THROTTLE CONTROL - Controls engine speed.

CHOKE CONTROL - Used when starting a cold engine.

DEPTH STAKE - Controls forward speed and the depth at which the tiller will dig.

RECOIL STARTER HANDLE - Used to start the engine.

CAUTION TO AVOID INJURY

READ THE OWNER'S MANUAL.
KNOW LOCATION AND FUNCTION OF ALL CONTROLS.
KEEP ALL SAFETY DEVICES AND SHIELDS IN PLACE.
NEVER ALLOW CHILDREN OR UNINSTRUCTED ADULTS TO OPERATE TILLER.

SHUT OFF ENGINE BEFORE UNCLOGGING TINES OR MAKING REPAIRS.
KEEP BYSTANDERS AWAY FROM MACHINE.
KEEP AWAY FROM ROTATING PARTS.

PUSH TINE CONTROL DOWN TO ENGAGE TINES

RELEASE TO STOP

OPERATION



The operation of any tiller can result in foreign objects thrown into the eyes, which can result in severe eye damage. Always wear safety glasses or eye shields before starting your tiller and while tilling. We recommend wide vision safety mask for over the spectacles or standard safety glasses.

HOW TO USE YOUR TILLER

STOPPING (See Fig. 5)

TINES -

- Release tine control to stop movement.

ENGINE -

- Move throttle control to "STOP" position.
- Never use choke to stop engine.

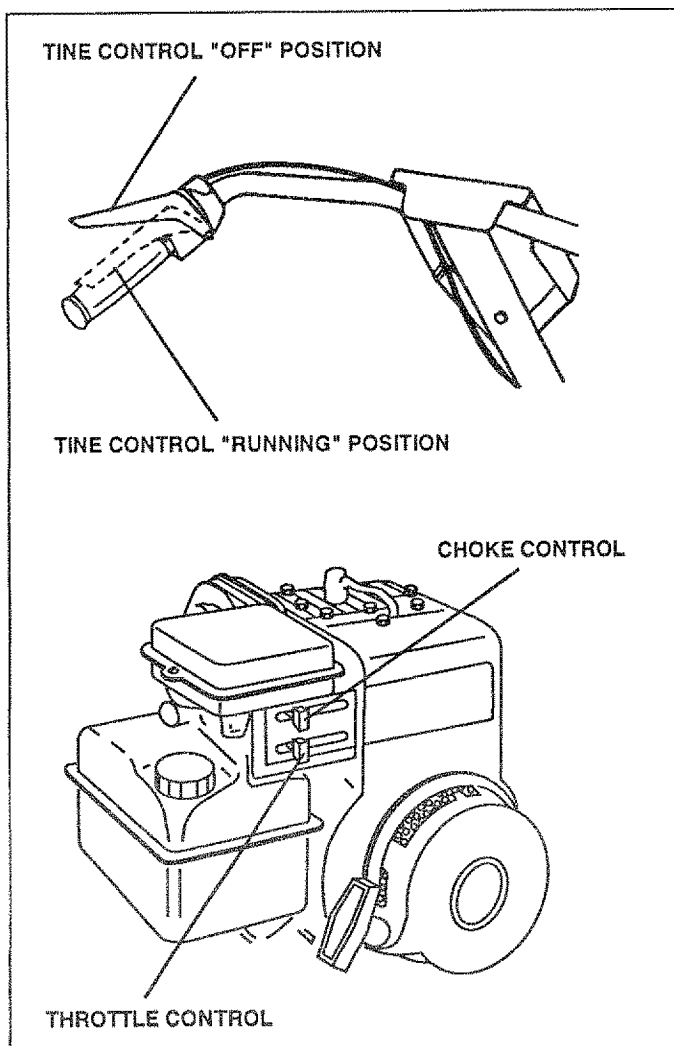


FIG. 5

TINE OPERATION (See Fig. 5)

Start engine and move throttle control to desired speed.

- Squeeze tine control to handle.

TILLING

The speed and depth of tilling is regulated by the position of the depth stake and wheel height.

The depth stake should always be below the wheels for digging. It serves as a brake to slow the tiller's forward motion to enable the tines to penetrate the ground. Also, the more the depth stake is lowered into the ground the deeper the tines will dig.

DEPTH STAKE (See Fig. 6) -

Adjust depth stake by removing the hairpin clip and clevis pin. Change depth stake to desired position. Replace the clevis pin and hairpin clip.

- For normal tilling, set depth stake at the second or third hole from the top.

WHEELS (See Fig. 6) -

Adjust wheels by removing the hairpin clip and clevis pin. Change wheel position. Replace the hairpin clip and clevis pin.

- For normal tilling, set wheels at the second or third hole from the top.

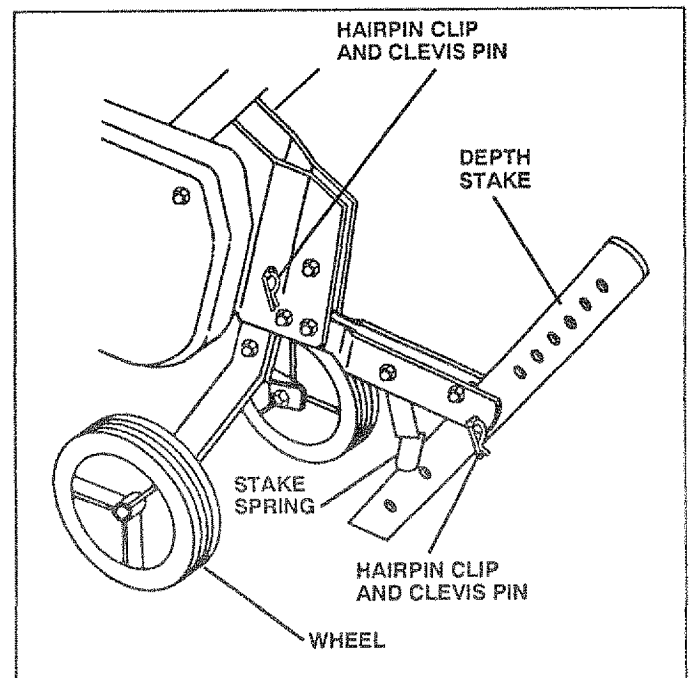


FIG. 6

OPERATION

TRANSPORTING YOUR TILLER

AROUND THE YARD -

- Tip depth stake forward until it is held by the stake spring (See Fig. 6).
- Push tiller handles down, raising tines off the ground.
- Push or pull tiller to desired location.

AROUND TOWN -

- Disconnect spark plug wire.
- Drain fuel tank.
- Transport in upright position to prevent oil leakage.



CAUTION: Before lifting or transporting, allow tiller engine and muffler to cool. Disconnect spark plug wire. Drain gasoline from fuel tank.

BEFORE STARTING ENGINE

FILL ENGINE WITH OIL (See Fig. 7)

IMPORTANT: BE VERY CAREFUL NOT TO ALLOW DIRT TO ENTER THE ENGINE WHEN CHECKING OR ADDING OIL OR FUEL. USE CLEAN SAE 30 OR 10W30 WEIGHT OIL AND STORE IN APPROVED, CLEAN, COVERED CONTAINERS. ALL OILS MUST MEET A.P.I. SERVICE CLASSIFICATION SD, SE OR SF. USE CLEAN FILL FUNNELS.

- With engine level, remove engine oil filler plug.
- Fill engine with oil to point of overflowing. For approximate capacity see "PRODUCT SPECIFICATIONS" on page 3.
- Tilt tiller back on its wheels and then re-level.
- Check oil level. Refill to point of overflowing if necessary. Replace oil filler plug.
- For cold weather operation you should change oil for easier starting (See "OIL VISCOSITY CHART" in the Maintenance section of this manual).
- To change engine oil, see the Maintenance section in this manual.

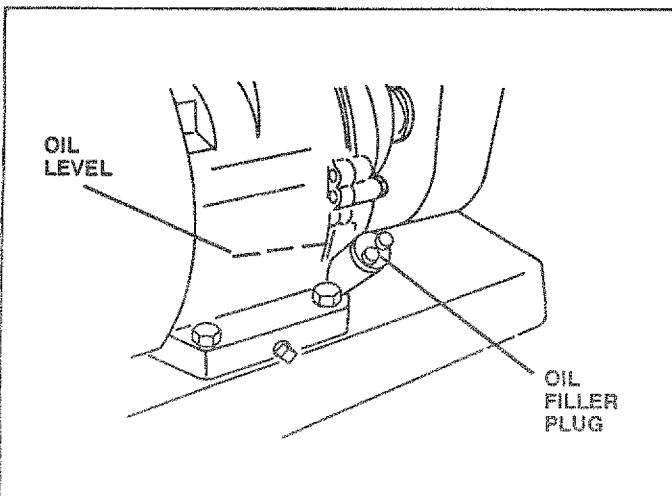


FIG. 7

ADD GASOLINE

- Fill fuel tank. Use fresh, clean, regular unleaded gasoline. (Use of leaded gasoline will increase carbon and lead oxide deposits and reduce valve life.)

IMPORTANT: WHEN OPERATING IN TEMPERATURES BELOW 32°F (0°C), USE FRESH, CLEAN WINTER GRADE GASOLINE TO HELP INSURE GOOD COLD WEATHER STARTING.

WARNING: Experience indicates that alcohol blended fuels (called gasohol or using ethanol or methanol) can attract moisture which leads to separation and formation of acids during storage. Acidic gas can damage the fuel system of an engine while in storage. To avoid engine problems, the fuel system should be emptied before storage of 30 days or longer. Drain the gas tank, start the engine and let it run until the fuel lines and carburetor are empty. Use fresh fuel next season. See Storage section of this manual for additional information. Never use engine or carburetor cleaner products in the fuel tank or permanent damage may occur.



CAUTION: Fill to bottom of gas tank filler neck. Do not overfill. Wipe off any spilled oil or fuel. Do not store, spill or use gasoline near an open flame.

TO START ENGINE (See Fig. 8)



CAUTION: Keep the tine control in "OFF" position when starting engine.

- Make sure spark plug wire is properly connected.
- Place throttle control in "FAST" position.
- Place choke control in "CHOKE" position if the engine is cold. A warm engine may not require choking to start.
- Grasp starter handle with one hand and grasp the tiller with other hand. Pull rope out slowly until engine reaches start of compression cycle (rope will pull slightly harder at this point).
- Pull rope with a rapid, continuous, full arm stroke. Keep a firm grip on starter handle and let rope rewind slowly. Do not let starter handle snap back against starter.
- When engine starts, slowly move choke control on engine halfway between "CHOKE" and "RUN" positions and then to "RUN" position as engine warms up.
- Move throttle control to desired running position.
- Allow engine to warm up for a few minutes before engaging tines.

NOTE: If at a high altitude (above 3000 feet) or in cold temperatures (below 32°F), the carburetor fuel mixture may need to be adjusted for best engine performance. See the engine manual packed with your unit.

OPERATION

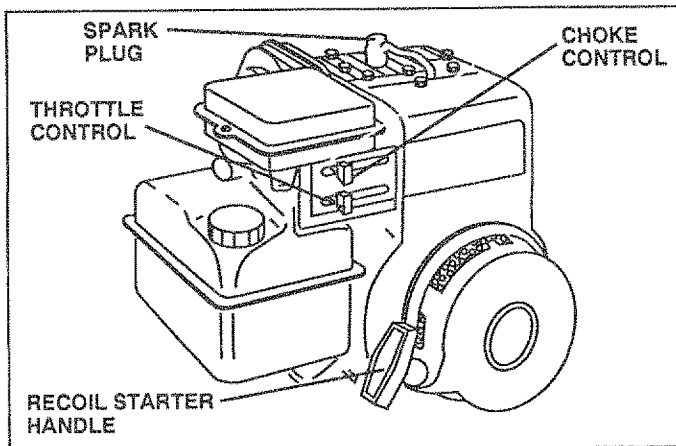


FIG. 8

BREAKING IN YOUR TILLER

Break-in your belts, pulleys and tine control before you actually begin tilling.

- Start engine, tip tines off ground by pressing handles down and engage tine control to start tine rotation. Allow tines to rotate for five minutes.
- Check tine operation and adjust if necessary. See "TINE OPERATION CHECK" in the Service and Adjustments section of this manual.

TILLING HINTS



CAUTION: Until you are accustomed to handling your tiller, start actual field use with throttle in slow position (midway between "FAST" and "IDLE").

To help tiller move forward, lift up the handles slightly (thus lifting depth stake out of ground). To slow down the tiller, press down on handles.

If you are straining or tiller is shaking, the wheels and depth stake are not set properly in the soil being tilled. The proper setting of the wheels and depth stake is through trial and error and depends upon the soil condition. (The harder or wetter the ground, the slower the engine and tine speed needed. Under these poor conditions, at fast speed the tiller will run and jump over the ground).

A properly adjusted tiller will dig with little effort from the operator.

- Tilling is digging into, turning over, and breaking up packed soil before planting. Loose, unpacked soil helps root growth. Best tilling depth is 4" to 6". A tiller will also clear the soil of unwanted vegetation. The decomposition of this vegetable matter enriches the soil. Depending on the climate (rainfall and wind), it may be advisable to till the soil at the end of the growing season to further condition the soil.
- Soil conditions are important for proper tilling. Tines will not readily penetrate dry, hard soil which may contribute to excessive bounce and difficult handling of your tiller. Hard soil should be moistened before tilling; however, extremely wet soil will "ball-up" or clump during tilling. Wait until the soil is less wet in order to achieve the best

results. When tilling in the fall, remove vines and long grass to prevent them from wrapping around the tine shaft and slowing your tilling operation.

- You will find tilling much easier if you leave a row untilled between passes. Then go back over the entire area at right angles (See Fig. 9). There are two reasons for doing this. First, wide turns are much easier to negotiate than about-faces. Second, the tiller won't be pulling itself, and you, toward the row next to it.
- Set depth stake and wheel height for shallow tilling when working extremely hard soil or sod. Then work across the first cuts at normal depth.

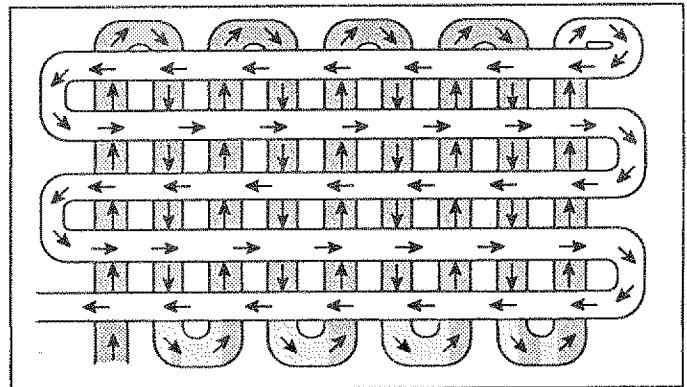


FIG. 9

CULTIVATING

Cultivating is destroying the weeds between rows to prevent them from robbing nourishment and moisture from the plants. At the same time, breaking up the upper layer of soil crust will help retain moisture in the soil. Best digging depth is 1" to 3".

- You will probably not need to use the depth stake. Begin by tipping the depth stake forward until it is held by the stake spring.
- Place throttle control in slow position (midway between "FAST" and "IDLE"). Cultivate up and down the rows at a speed which will allow tines to uproot weeds and leave the ground in rough condition, promoting no further growth of weeds and grass (See Fig. 10).

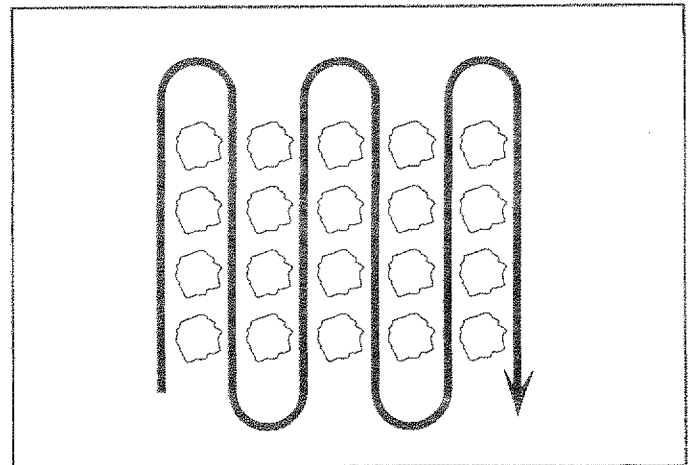


FIG. 10

MAINTENANCE

MAINTENANCE SCHEDULE						SERVICE DATES															
	BEFORE EACH USE	FIRST 2 HOURS	EVERY 5 HOURS	EVERY 25 HOURS	EVERY 50 HOURS																
FILL IN DATES AS YOU COMPLETE REGULAR SERVICE																					
Check Engine Oil Level	✓		✓																		
Change Engine Oil		✓		✓ _{1,2}																	
Oil Pivot Points			✓																		
Inspect Spark Arrester Muffler					✓																
Inspect Air Screen	✓																				
Replace Air Cleaner Cartridge				✓ ₂																	
Clean Engine Cylinder Fins			✓																		
Replace Spark Plug					✓																

1 - Change more often when operating under a heavy load or in high ambient temperatures.
 2 - Service more often when operating in dirty or dusty conditions.

GENERAL RECOMMENDATIONS

The warranty on this vehicle does not cover items that have been subjected to operator abuse or negligence. To receive full value from the warranty, operator must maintain unit as instructed in this manual.

Some adjustments will need to be made periodically to properly maintain your unit.

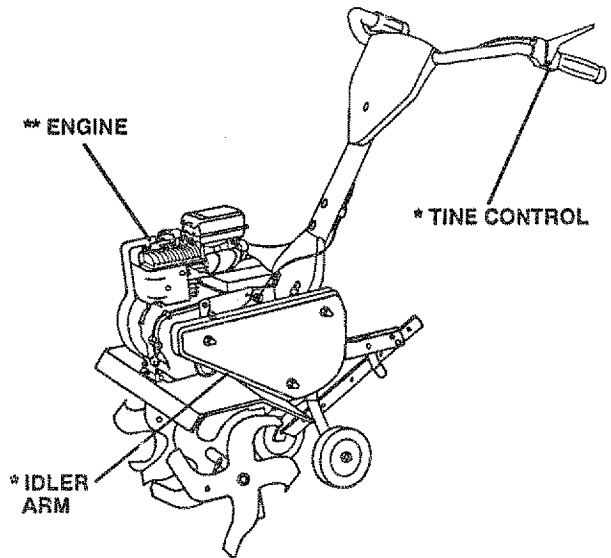
All adjustments in the Service and Adjustments section of this manual should be checked at least once each season.

- Once a year you should replace the spark plug, clean or replace air filter, and check tines and belts for wear. A new spark plug and clean air filter assure proper air-fuel mixture and help your engine run better and last longer.

BEFORE EACH USE

- Check engine oil level.
- Check tine operation.
- Check for loose fasteners.

LUBRICATION CHART



* SAE 30 or 10W30 MOTOR OIL API - SF/CC
 ** REFER TO ENGINE MAINTENANCE SECTION

LUBRICATION

Keep unit well lubricated (See "LUBRICATION CHART").

MAINTENANCE



Disconnect spark plug wire before performing any maintenance (except carburetor adjustment) to prevent accidental starting of engine.

Prevent fires! Keep the engine free of grass, leaves, spilled oil, or fuel. Remove fuel from tank before tipping unit for maintenance. Clean muffler area of all grass, dirt and debris.

Do not touch hot muffler or cylinder fins as contact may cause burns.

ENGINE LUBRICATION

Change the oil after the first two hours of operation and every 25 hours thereafter or at least once a year if the tiller is not used for 25 hours in one year.

Check the crankcase oil level before starting the engine and after each five (5) hours of continuous use. Add SAE 30 motor oil or equivalent. Tighten oil filler plug securely each time you check the oil level. SAE 5W-30 motor oil may be used to make starting easier in areas where temperature is consistently 32° F or lower.

TO CHANGE ENGINE OIL (See Figs. 11 and 12) -

Determine temperature range expected before oil change. All oil must meet API service classification SD, SE, or SF.

- Be sure tiller is on level surface.
- Oil will drain more freely when warm.
- Catch oil in a suitable container.
- Remove drain plug.
- Tip tiller forward to drain oil.
- After oil has drained completely, replace oil drain plug and tighten securely.
- Remove oil filler plug. Be careful not to allow dirt to enter the engine.
- Refill engine with oil. See "FILL ENGINE WITH OIL" in Operation section of this manual.

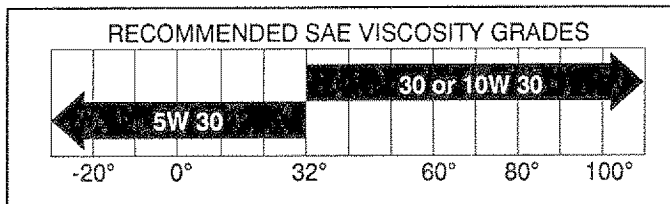


FIG. 11

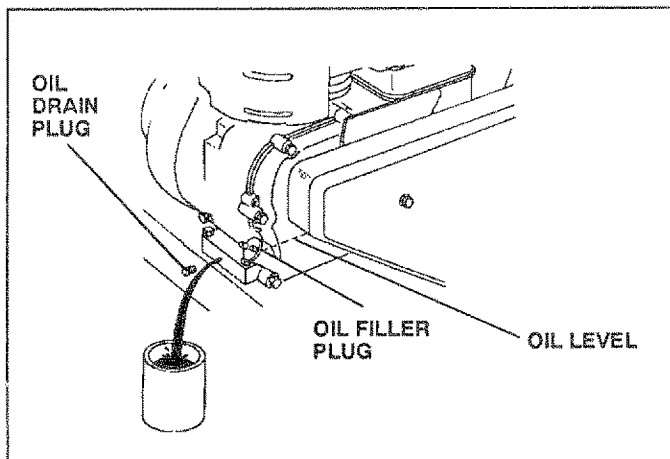


FIG. 12

AIR CLEANER (See Fig. 13)

Replace air cleaner cartridge every twenty-five hours, more often if engine is used in very dusty conditions.

- Loosen air cleaner screws, one on each side of cover.
- Remove air cleaner cover.
- Carefully remove air cleaner cartridge. Be careful. Do not allow dirt or debris to fall into carburetor.
- Install new air cleaner cartridge. Clean and replace cover. Tighten screws securely.

NOTE: Do not attempt to clean or oil the paper cartridge.

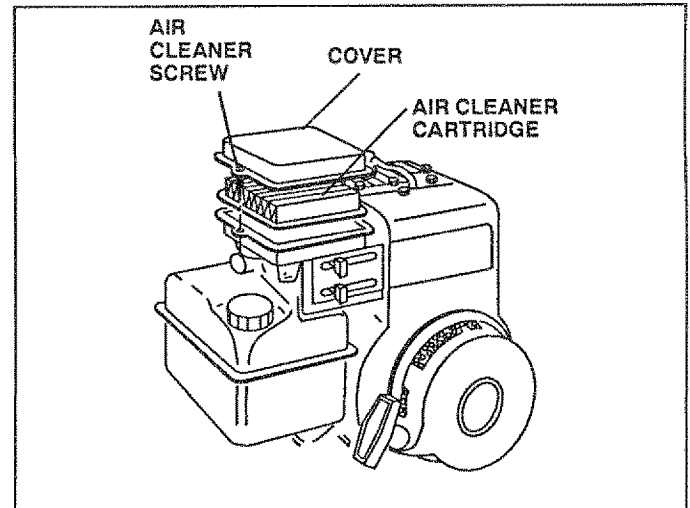


FIG. 13

COOLING SYSTEM (See Fig. 14)

Your engine is air cooled. For proper engine performance and long life keep your engine clean.

- Clean air screen frequently using a stiff-bristled brush.
- Remove blower housing and clean as necessary.
- Keep cylinder fins free of dirt and chaff.

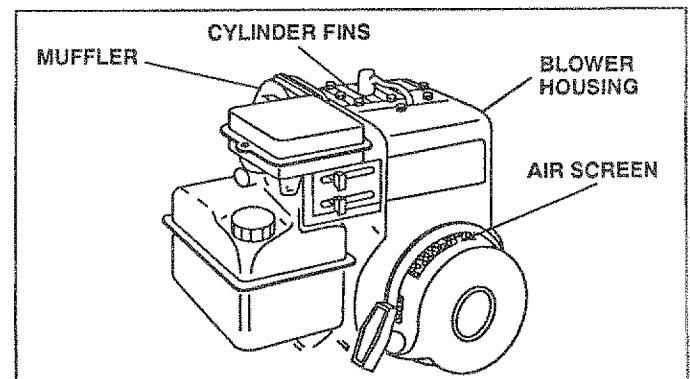


FIG. 14

MAINTENANCE

MUFFLER

Do not operate tiller without muffler. Do not tamper with exhaust system. Damaged mufflers or spark arresters could create a fire hazard. Inspect periodically and replace if necessary. If your engine is equipped with a spark arrester screen assembly, remove every 50 hours for cleaning and inspection. Replace if damaged.

SPARK PLUG

Replace spark plugs at the beginning of each tilling season or after every 50 hours of use, whichever comes first. Spark plug type and gap setting is shown in "PRODUCT SPECIFICATIONS" on page 3 of this manual.

TRANSMISSION

Your transmission is sealed and will not require lubrication.

CLEANING

- Clean engine, wheels, finish, etc. of all foreign matter.
- Keep finished surfaces and wheels free of all gasoline, oil, etc.
- Protect painted surfaces with automotive type wax.

We do not recommend using a garden hose to clean your unit unless the muffler, air filter and carburetor are covered to keep water out. Water in engine can result in a shortened engine life.

SERVICE AND ADJUSTMENTS



CAUTION: Disconnect spark plug wires from spark plug and place wire where it cannot come into contact with plug.

TILLER

TO ADJUST HANDLE HEIGHT (See Fig. 15)

Factory assembly has provided highest handle height. Select handle height best suited for your tilling conditions. Handle height will be different when tiller digs into soil.

- If a lower handle height is desired, loosen the four nuts securing handle panel to engine brackets.
- Slide handle panel to desired location.
- Tighten the four nuts securely.

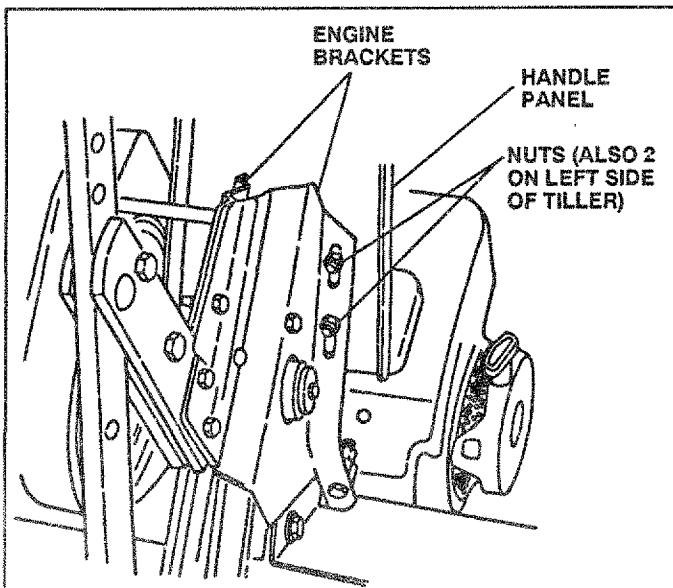


FIG. 15

TINE ARRANGEMENT

Your outer tines can be assembled in several different ways to suit your tilling or cultivating needs.



CAUTION: Tines are sharp. Wear gloves or other protection when handling tines.

NORMAL TILLING - 24 INCH PATH (See Fig. 16) -

- Assemble holes "A" in tine hubs to holes "B" in tine shaft.

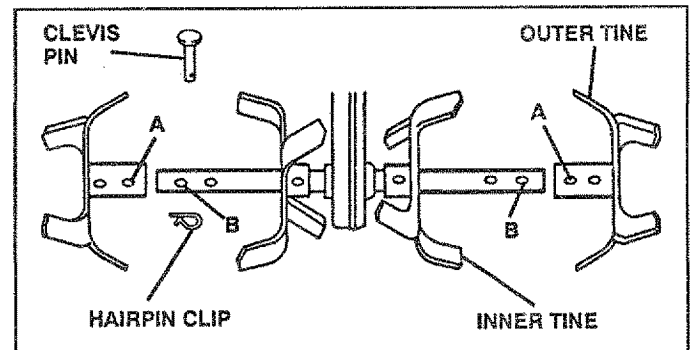


FIG. 16

SERVICE AND ADJUSTMENTS

MID-WIDTH TILLING - 22 INCH PATH (See Fig. 17) -

- Assemble holes "A" in tine hubs to holes "C" in tine shaft.

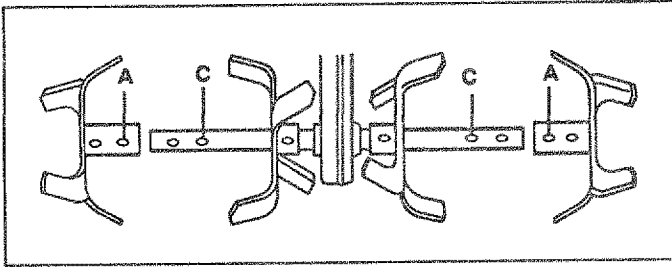


FIG. 17

NARROW TILLING/CULTIVATING - 12 -3/4 INCH PATH (See Fig. 18) -

- Remove outer tines.

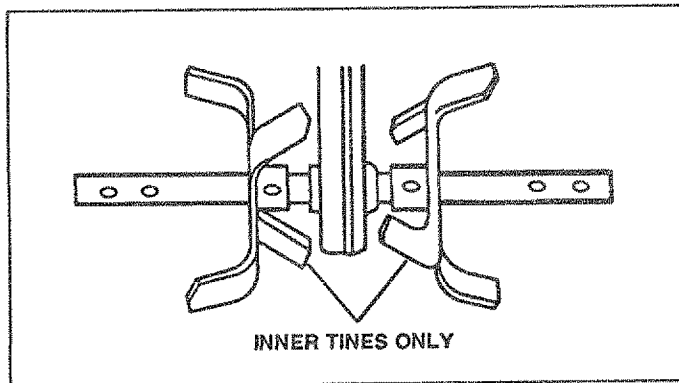


FIG. 18

NOTE: When reassembling outer tines, be sure right tine assembly (marked "R") and left tine assembly (marked "L") are mounted to correct side of tine shaft.

TINE OPERATION CHECK (See Fig. 19)



WARNING: Disconnect spark plug wire from spark plug to prevent starting while checking tine operation.

For proper tine operation, tine control lever must be against control body and all slack removed from inner wire of control cable when control is in the "OFF" (up) position.

If lever and cable are loose, loosen cable clip at lower end of cable. Pull up on cable to remove slack, without extending spring on end of cable, and retighten cable clip.

FINAL CHECK "OFF" POSITION -

- With tine control "OFF" (up), push down on handle to raise tines off the ground.
- Slowly pull recoil starter handle while observing tines. Tines should not rotate.
- If tines rotate, inner wire of control cable is too tight which is extending lower spring and engaging tines. Loosen cable clip and push down on cable only enough to relieve spring tension. Tighten cable clip.
- Recheck in "OFF" position and adjust if necessary.

FINAL CHECK "ON" POSITION -

- With tine control "ON" (held down to handle) push down on handle to raise tines off the ground.
- Slowly pull recoil starter handle while observing tines. Tines should rotate forward.
- If tines do not rotate, inner wire of control cable is too loose. Loosen cable clip and pull cable up to remove slack and retighten clip.
- Recheck in "ON" position and adjust if necessary.

NOTE: If "ON" position check required adjustment, recheck "OFF" position adjustment to insure tines do not rotate when control is "OFF" (up).

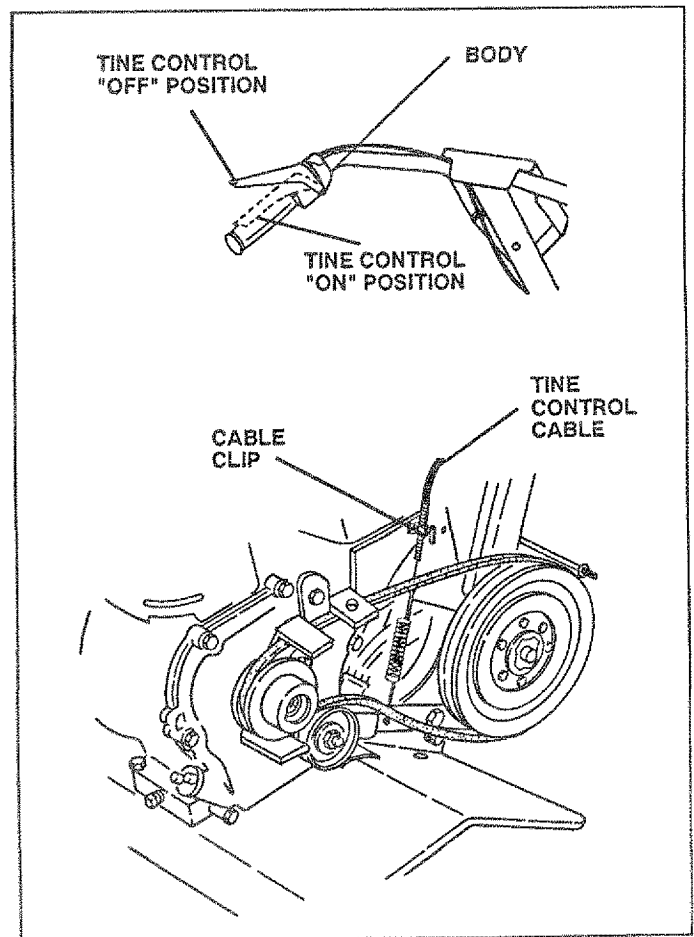


FIG. 19

SERVICE AND ADJUSTMENTS

TO REPLACE V-BELT (See Fig. 20)

Replace V-belt if it has stretched considerably or if it shows cracks or frayed edges.

Belt guard must be removed to service belt. See "TO REMOVE BELT GUARD" in this section of this manual.

BELT REMOVAL -

- Remove V-belt from transmission pulley first and then from engine pulley.

BELT REPLACEMENT -

- Install new V-belt to engine pulley first then to transmission pulley. Be sure belt is positioned on inside groove of both pulleys, inside all belt guides and rests on idler pulley.

CHECK TINE OPERATION -

- See "TINE OPERATION CHECK" in this section of this manual.

REPLACE BELT GUARD

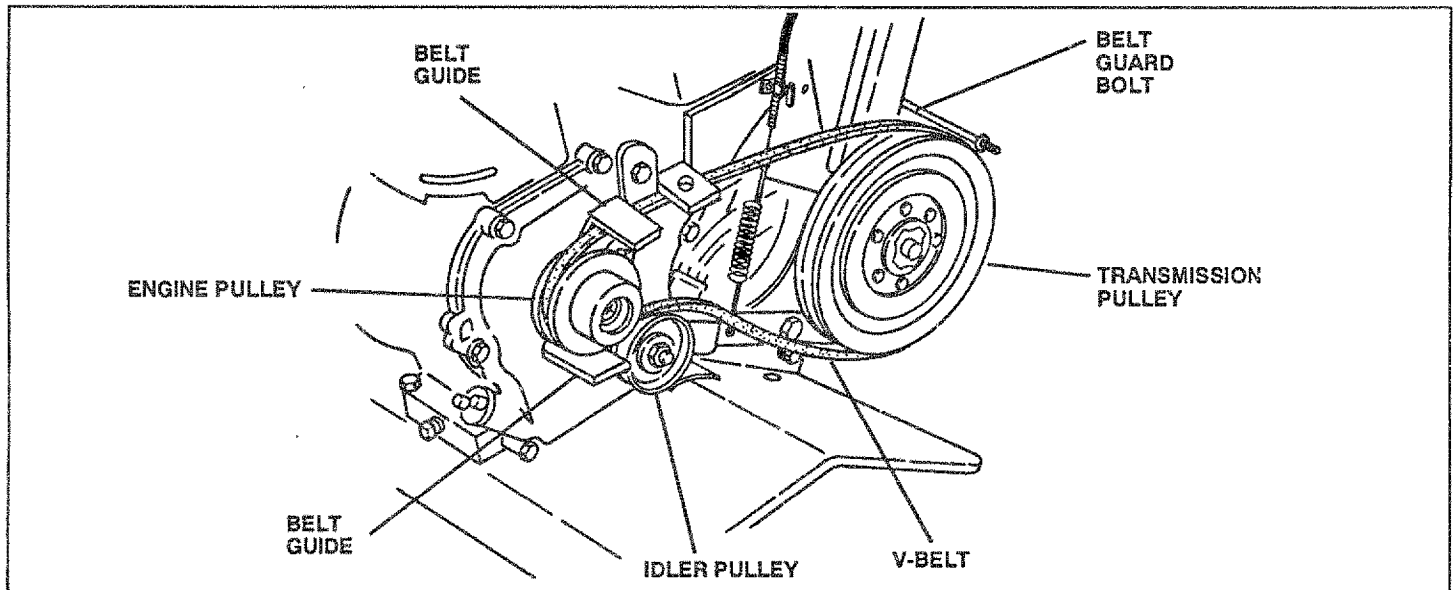


FIG. 20

TO REMOVE BELT GUARD (See Fig. 21)

- Remove cap nut and washer from side of belt guard.
- Loosen (do not remove) tine shield nut on underside of tine shield and cap nut on top of belt guard.
- Pull belt guard out and away from unit.
- Replace belt guard by reversing above procedure. Be sure slot in bottom of belt guard is under head of tine shield bolt and all nuts are tightened securely.

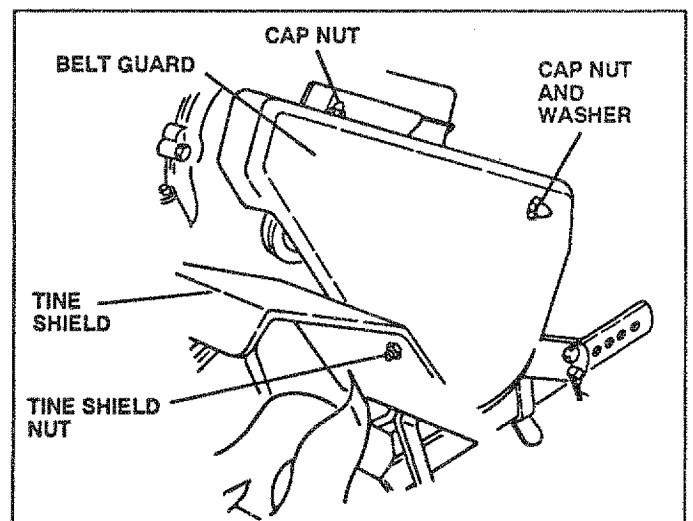


FIG. 21

SERVICE AND ADJUSTMENTS

ENGINE

TO ADJUST CARBURETOR (See Fig. 22)

The carburetor has been preset at the factory and adjustment should not be necessary. However, minor adjustments may be required to compensate for differences in fuel, temperature, altitude or load. If the carburetor does need adjustment, proceed as follows.

In general, turning the needle valve in (clockwise) decreases the supply of fuel to the engine giving a leaner fuel/air mixture. Turning the needle valve out (counterclockwise) increases the supply of fuel to the engine giving a richer fuel/air mixture.

IMPORTANT: DAMAGE TO THE NEEDLES AND THE SEATS IN CARBURETOR MAY RESULT IF SCREWS ARE TURNED IN TOO TIGHT.

PRELIMINARY SETTING -

- Air cleaner assembly must be assembled to the carburetor when making carburetor adjustments.
- With engine off, turn needle valve in (clockwise) closing it finger tight and then turn valve out (counterclockwise) 1-1/2 turns.

FINAL SETTING -

- Start engine and allow to warm for five minutes. Make final adjustments with engine running and gearshift control lever in "NEUTRAL" position.

IDLE RPM ADJUSTMENT

- To adjust idle RPM, rotate throttle linkage counterclockwise and hold against stop while adjusting idle speed adjusting screw to obtain 1750 RPM. Release throttle linkage.

ACCELERATION TEST -

- Move throttle control lever from "SLOW" to "FAST" position. If engine hesitates or dies, turn needle valve out (counterclockwise) 1/8 turn. Repeat test and continue to adjust, if necessary, until engine accelerates smoothly.

High speed stop is factory adjusted. Do not adjust or damage may result.

IMPORTANT: NEVER TAMPER WITH THE ENGINE GOVERNOR, WHICH IS FACTORY SET

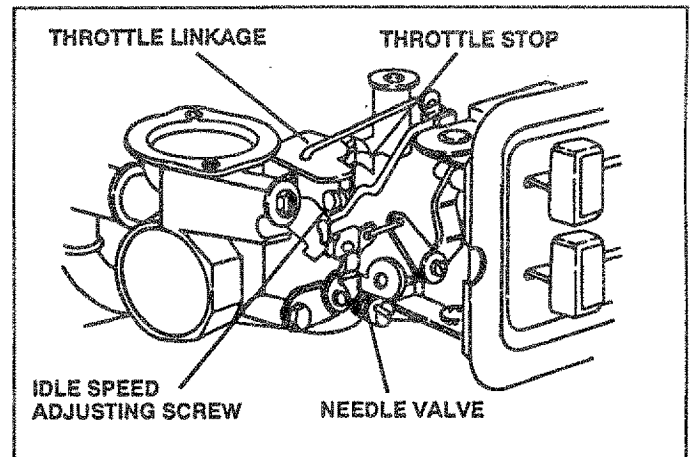


FIG. 22

FOR PROPER ENGINE SPEED. OVERSPEEDING THE ENGINE ABOVE THE FACTORY HIGH SPEED SETTING CAN BE DANGEROUS. IF YOU THINK THE ENGINE-GOVERNED HIGH SPEED NEEDS ADJUSTING, CONTACT YOUR NEAREST SEARS SERVICE CENTER, WHICH HAS PROPER EQUIPMENT AND EXPERIENCE TO MAKE ANY NECESSARY ADJUSTMENTS.

STORAGE

Immediately prepare your tiller for storage at the end of the season or if the unit will not be used for 30 days or more.



CAUTION: Never store the tiller with gasoline in the tank inside a building where fumes may reach an open flame or spark. Allow the engine to cool before storing in any enclosure.

TILLER

- Clean entire tiller (See "CLEANING" in the Maintenance section of this manual).
- Inspect and replace belts, if necessary (See belt replacement instructions in the Service and Adjustments section of this manual).
- Lubricate as shown in the Maintenance section of this manual.
- Be sure that all nuts, bolts and screws are securely fastened. Inspect moving parts for damage, breakage and wear. Replace if necessary.
- Touch up all rusted or chipped paint surfaces; sand lightly before painting.

ENGINE

FUEL SYSTEM

IMPORTANT: IT IS IMPORTANT TO PREVENT GUM DEPOSITS FROM FORMING IN ESSENTIAL FUEL SYSTEM PARTS SUCH AS THE CARBURETOR, FUEL FILTER, FUEL HOSE, OR TANK DURING STORAGE. ALSO, EXPERIENCE INDICATES THAT ALCOHOL BLENDED FUELS (CALLED GASOHOL OR USING ETHANOL OR METHANOL) CAN ATTRACT MOISTURE WHICH LEADS TO SEPARATION AND FORMATION OF ACIDS DURING STORAGE. ACIDIC GAS CAN DAMAGE THE FUEL SYSTEM OF AN ENGINE WHILE IN STORAGE.

- Drain the fuel tank.
- Start the engine and let it run until the fuel lines and carburetor are empty.
- Never use engine or carburetor cleaner products in the fuel tank or permanent damage may occur.
- Use fresh fuel next season.

NOTE: Fuel stabilizer is an acceptable alternative in minimizing the formation of fuel gum deposits during storage. Add stabilizer to gasoline in fuel tank or storage container. Always follow the mix ratio found on stabilizer container. Run engine at least 10 minutes after adding stabilizer to allow the stabilizer to reach the carburetor. Do not drain the gas tank and carburetor if using fuel stabilizer.

ENGINE OIL

Drain oil (with engine warm) and replace with clean oil (See "ENGINE" in the Maintenance section of this manual).

CYLINDERS

- Remove spark plug.
- Pour one ounce of oil through spark plug hole into cylinder.
- Pull starter handle slowly several times to distribute oil.
- Replace with new spark plug.

OTHER

- Do not store gasoline from one season to another.
- Replace your gasoline can if your can starts to rust. Rust and/or dirt in your gasoline will cause problems.
- If possible, store your unit indoors and cover it to give protection from dust and dirt.
- Cover your unit with a suitable protective cover that does not retain moisture. Do not use plastic. Plastic cannot breathe which allows condensation to form and will cause your unit to rust.

IMPORTANT: NEVER COVER TILLER WHILE ENGINE AND EXHAUST AREAS ARE STILL WARM.

TROUBLESHOOTING

PROBLEM:

Probable Cause ➤ Possible Remedy

WILL NOT START OR HARD TO START

No gasoline in Fuel Tank ➤	Fill tank with gasoline
Choke not set properly ➤	Place Choke Control in "CHOKE" position
Throttle Control not set properly ➤	Place Throttle Control in "FAST" position
Choked improperly, flooded Engine ➤	Move Choke control to "Run" position, place Throttle Control in "FAST" position and pull Starter several times to clear out gas
Dirty Air Cleaner ➤	Remove to inspect; replace if dirty.
Loose Spark Plug Wire ➤	Make sure Spark Plug Wire is seated properly on Spark Plug
Spark Plug dirty or improper gap ➤	Replace Spark Plug and adjust gap
Water in gasoline or old fuel ➤	Drain Fuel Tank and Carburetor, use fresh fuel and replace Spark Plug
Improper Carburetor adjustment ➤	Make necessary adjustments
Clogged Fuel Tank ➤	Remove and clean

ENGINE MISSES OR LACKS POWER

Engine overloaded ➤	Set Depth Stake and Wheels for shallower tilling
Partially plugged Air Cleaner ➤	Remove and clean or replace
Dirty Air Screen ➤	Clean Air Screen
Spark Plug dirty, improper gap or wrong type ➤	Replace Spark Plug and adjust gap
Oil in gasoline ➤	Drain and refill Gas Tank and Carburetor
Improper Carburetor adjustment ➤	Make necessary adjustments
Clogged Fuel Tank ➤	Remove and clean
Poor compression ➤	Major Engine overhaul

ENGINE OVERHEATS

Low oil level or dirty oil ➤	Add or change oil
Dirty Air Screen ➤	Clean Air Screen
Dirty Engine ➤	Clean Cylinder Fins, Air Screen and Muffler area
Partially Plugged Muffler ➤	Remove and clean Muffler
Improper Carburetor adjustment ➤	Adjust Carburetor to richer position

EXCESSIVE BOUNCE AND DIFFICULT HANDLING

Wheels and Depth Stake incorrectly adjusted ➤	Adjust Wheels and Depth Stake
Ground too dry and hard ➤	Moisten ground or wait for more favorable soil conditions

SOIL BALLS UP OR CLUMPS

Ground too wet ➤	Wait for more favorable soil conditions
------------------	---

ENGINE RUNS WELL BUT TILLER WON'T MOVE

Tine Control not engaged ➤	Engage Tine Control
V-Belt not correctly adjusted ➤	Check V-Belt
V-Belt off of pulleys ➤	Check V-Belt

ENGINE RUNS WELL BUT LABORS WHEN TILLING

Tilling too deep ➤	Adjust Depth Stake
Throttle Control not properly adjusted ➤	Check Throttle Control setting
Carburetor not adjusted properly ➤	Check Carburetor adjustment

REPAIR PARTS

5 HP TILLER - - MODEL NUMBER 917.298350

HANDLE ASSEMBLY



KEY PART NO.	NO.	DESCRIPTION
1	STD533125	* Bolt, Carriage 5/16-18 UNC x 2-3/8 Gr.5
2	127768	Panel, Control
3	110632X	Grip, Handle
4	3066J	Cable, Tine Control
5	2635J	Lever, Control, Tine
6	23200405	Setscrew, Hex Headless 1/4-20
7	12000027	Ring, Clip
8	73970500	Locknut, Flange 5/16-18 UNC
9	121145X	Clip, Cable

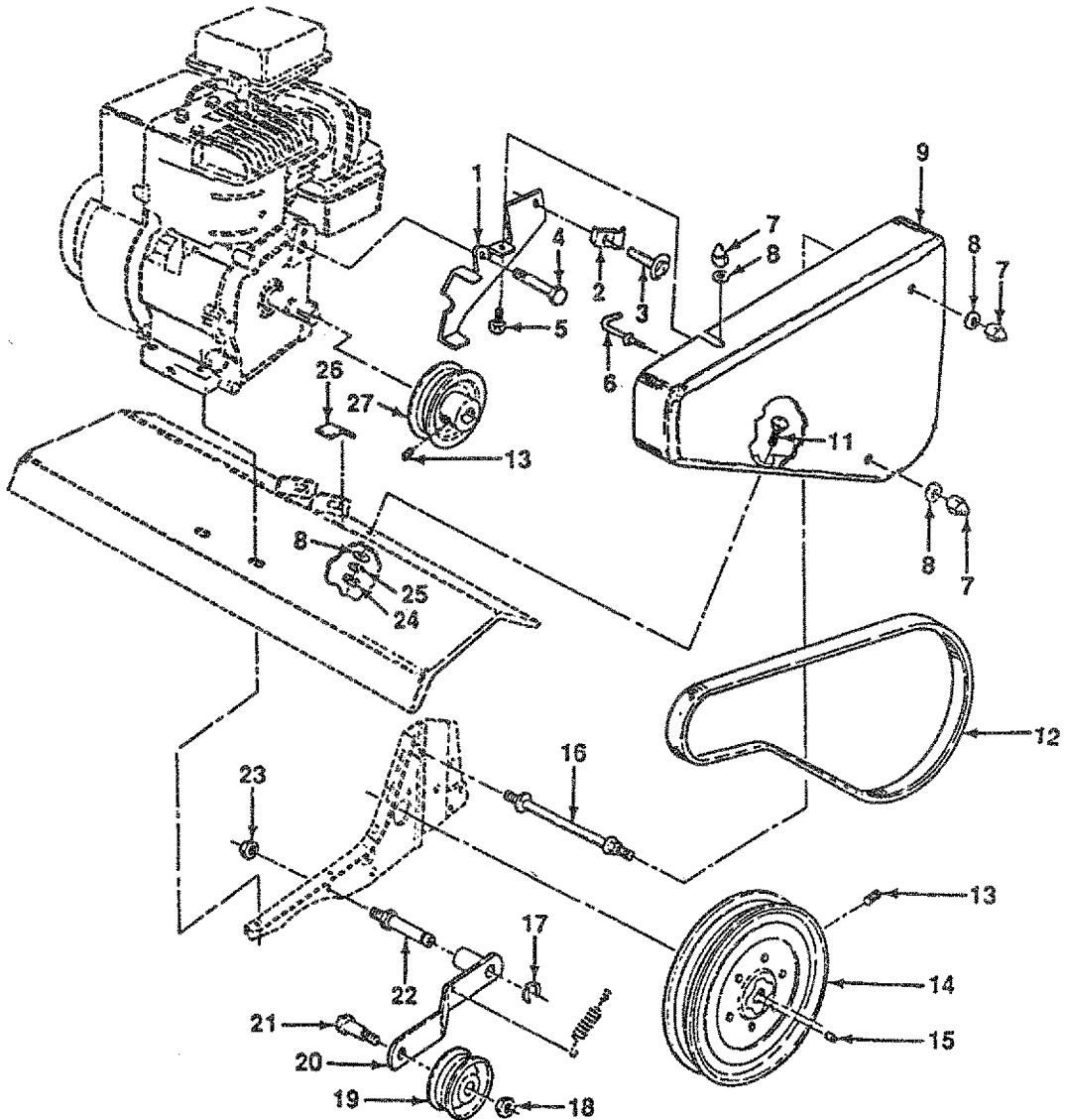
KEY PART NO.	NO.	DESCRIPTION
10	110512X	Assembly, Handle Column
11	98000129	Nut, Flange
12	STD533107	* Carriage Bolt 5/16-18 x 3/4
13	110514X	Assembly, Panel & Tube
--	120431X	Decal, Hand Placement (Control Panel)
--	127835	Decal, Control Panel
--	127520	Decal, USA
--	121858X	Decal, Caution, Tine Control (Control Panel)

* STANDARD HARDWARE - PURCHASE LOCALLY

REPAIR PARTS

5 HP TILLER - - MODEL NUMBER 917.298350

BELT GUARD AND PULLEY ASSEMBLY



KEY PART NO. NO.

KEY PART NO.	NO.	DESCRIPTION
1	121313X	Bracket, Belt Guard
2	9484R	Clip
3	86777	Screw, Hex Washer Hd. Slotted #10-24 x 1/2 Type D
4	74770812	Bolt, Hex 1/2-20 x 3/4
5	STD532505	* Carriage Bolt 1/4-20 x 1/2
6	121463X	Keeper, Belt
7	104213X	Nut, Cap 1/4-20
8	STD551025	* Washer 9/32 x 5/8 x 16 Ga.
9	121612X417	Belt Guard
11	72140405	Carriage Bolt 1/4-20 x 5/8
12	9180R	V-Belt
13	23230506	Screw, Forged Socket Headless Set
14	9175R	Pulley, Transmission
15	2649M	Key, Square
16	110528X	Bolt, Belt Guard
17	12000036	Ring, Klip

KEY PART NO. NO.

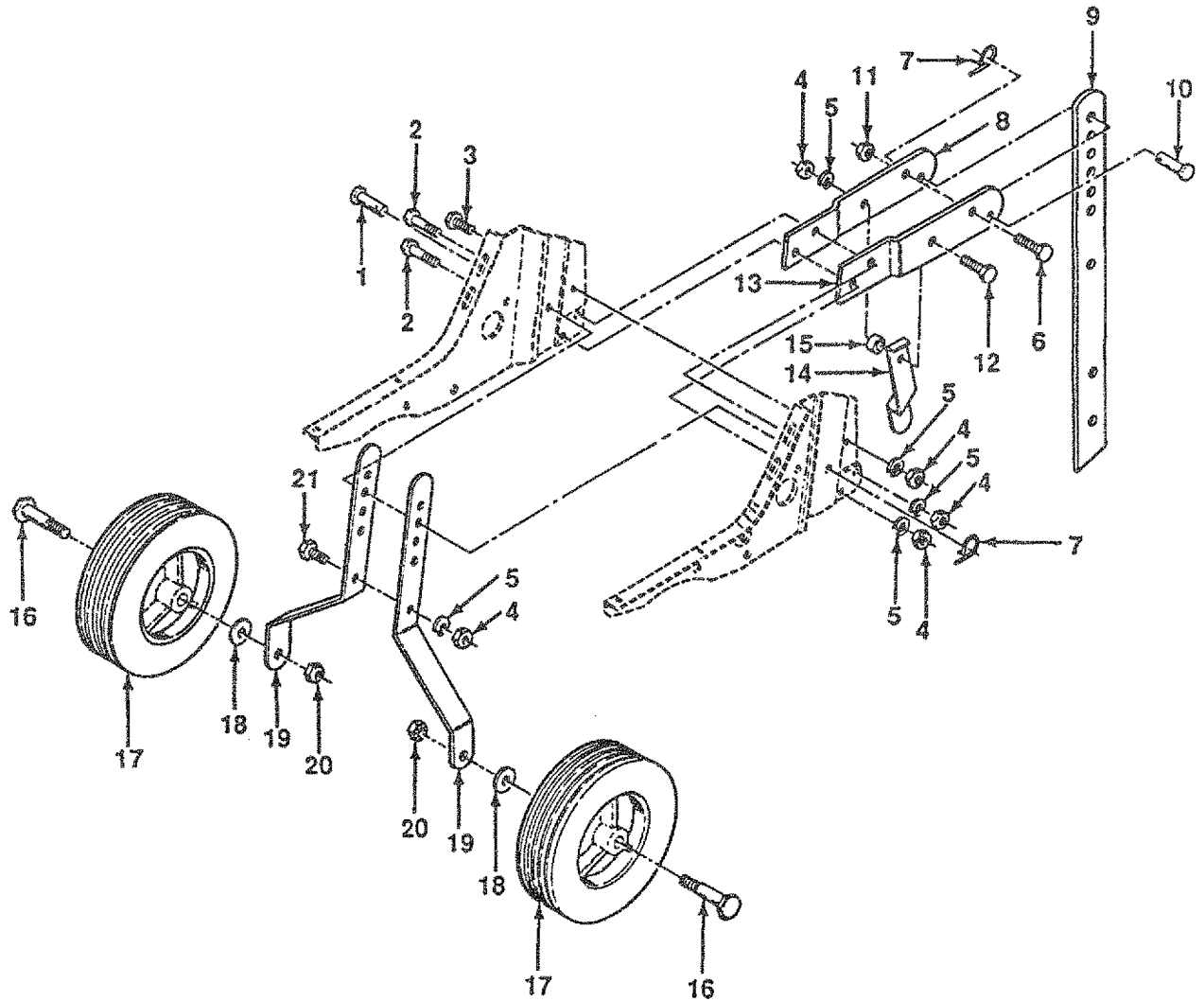
KEY PART NO.	NO.	DESCRIPTION
18	STD541237	* Nut, Hex, Jam 3/8-16
19	9178R	Pulley, Idler
20	674A30	Idler Arm
21	STD523712	* Hex Bolt 3/8-16 x 1-1/4
22	106968X	Shaft, Idler Arm
23	73350500	Nut, Hex, Jam 5/16-18
24	STD541025	* Nut, Hex 1/4-20
25	STD551125	* Washer, Lock 1/4
26	109227X	Pad, Idler
27	9177R	Engine Pulley
--	127837	Decal, Belt Guard

* STANDARD HARDWARE - PURCHASE LOCALLY

REPAIR PARTS

5 HP TILLER - - MODEL NUMBER 917.298350

WHEEL AND DEPTH STAKE ASSEMBLY



KEY PART NO.	NO.	DESCRIPTION
1	9194R	Pin, Clevis
2	7460520	Bolt, Hex 5/16-18 x 1-1/4
3	STD523107	* Bolt, Hex 5/16-18 x 3/4
4	STD541031	* Nut, Hex 5/16-18
5	STD551131	* Washer, Lock 5/16
6	STD623715	* Bolt, Hex 3/8-24 x 1-1/2 Gr.5
7	4921H	Clip, Hairpin
8	1952J	Support, Depth Stake RH
9	122233X	Depth Stake
10	326J	Pin, Clevis
11	STD541537	* Nut 3/8-24

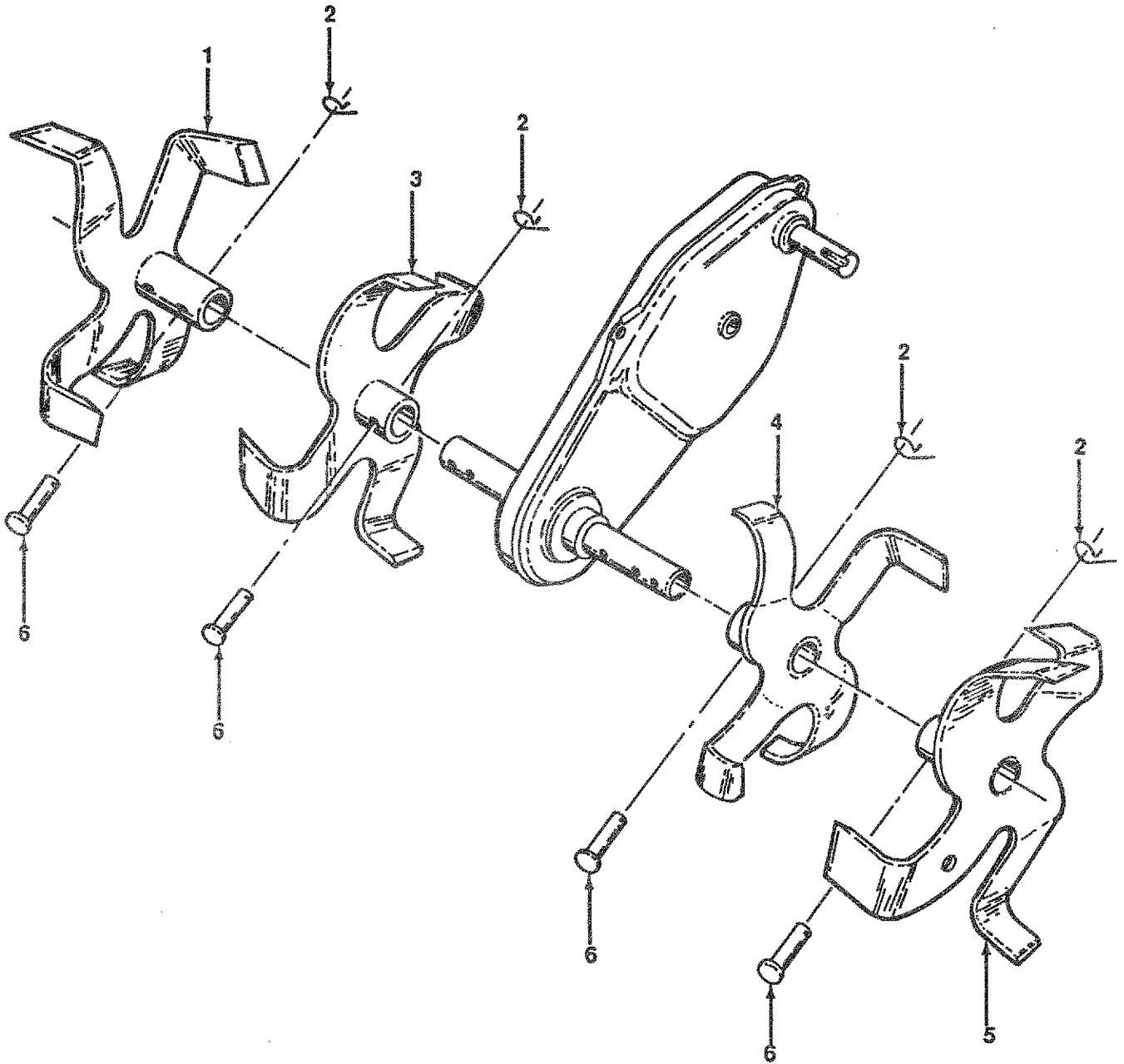
KEY PART NO.	NO.	DESCRIPTION
12	74760524	Bolt, Hex 5/16-18 x 1-1/2
13	1951J	Support, Depth Stake LH
14	5388J	Spring, Stake
15	120958X	Washer
16	121117X	Bolt, Shoulder
17	127832	Wheel
18	STD551037	* Washer 13/32 x 13/16 x 11 Ga.
19	9190R	Bracket, Wheel
20	STD541437	* Nut, Crownlock 3/8-16
21	74760516	Bolt, Hex 5/16-18 x 1

* STANDARD HARDWARE - PURCHASE LOCALLY

REPAIR PARTS

5 HP TILLER - - MODEL NUMBER 917.298350

TINE ASSEMBLY



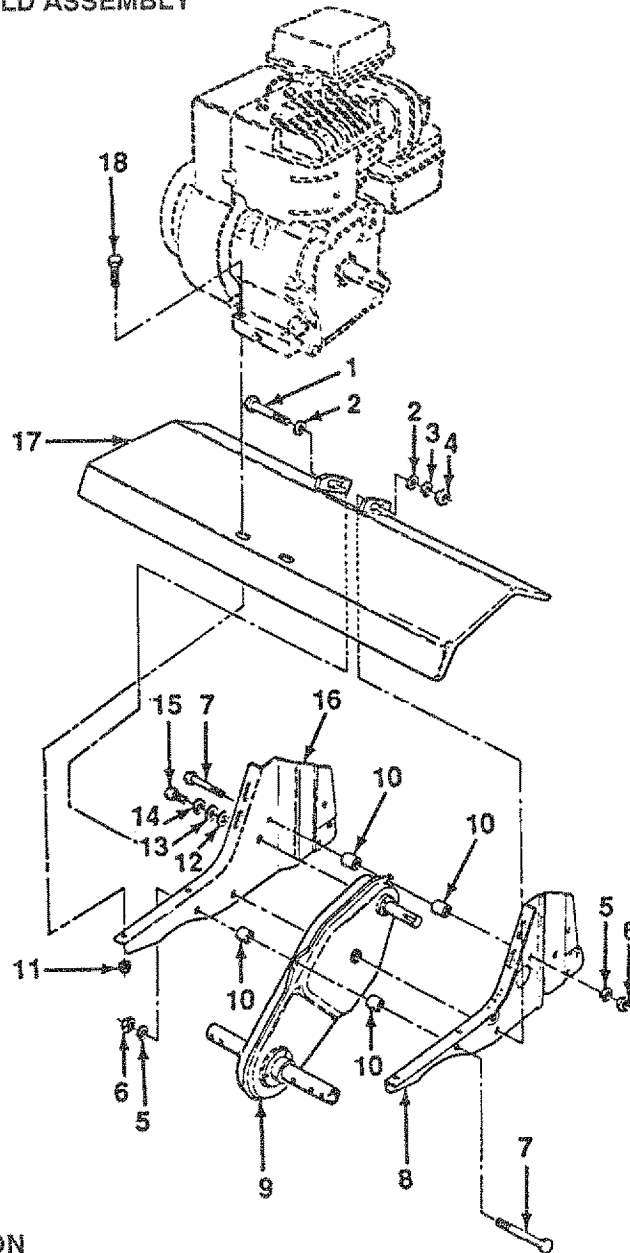
KEY NO.	PART NO.	DESCRIPTION
1	674A66	Tine, Outer RH
2	3146R	Clip, Hairpin
3	674A64	Tine, Inner RH

KEY NO.	PART NO.	DESCRIPTION
4	674A63	Tine, Inner LH
5	674A65	Tine, Outer LH
6	4929H	Pin, Clevis

REPAIR PARTS

5 HP TILLER - - MODEL NUMBER 917.298350

TRANSMISSION AND TINE SHIELD ASSEMBLY



KEY PART NO.	NO.	DESCRIPTION
--------------	-----	-------------

1	STD623732	* Bolt, Hex 3/8-24 x 3-1/4 Gr.5
2	STD551037	* Washer 13/32 x 13/16 x 11 Ga.
3	STD551137	* Washer, Lock 3/8
4	STD541537	* Nut 3/8-24
5	STD551131	* Washer, Lock 5/16
6	STD541031	* Nut, Hex 5/16-18
7	74760544	Bolt, Hex 5/16-18 x 2-3/4
8	110519X	Bracket, Engine LH
9	105397X	Transmission
10	9173R	Spacer, Split
11	STD541431	* Nut, Keps 5/16-18 UNC
12	19091412	Washer 9/32 x 7/8 x 12 Ga..
13	19092016	Washer 9/32 x 1-1/4 x 16 Ga..

KEY PART NO.	NO.	DESCRIPTION
--------------	-----	-------------

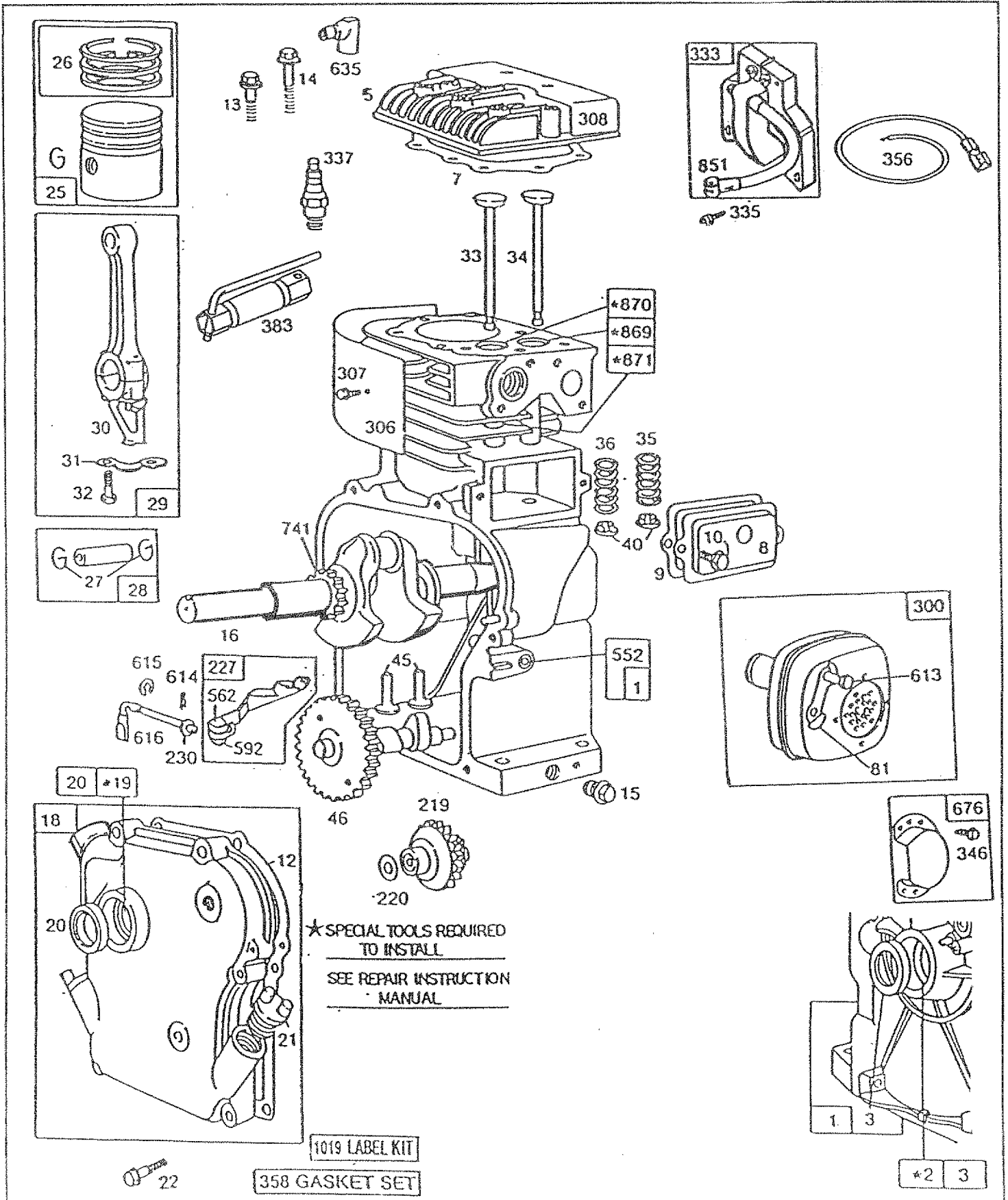
14	STD551125	* Washer, Lock 1/4
15	74610412	Bolt, Hex 1/4-28 x 3/4 Gr.5
16	1949J	Bracket, Engine RH
17	9056R361	Tine Shield
--	127834X	Manual, Owner's
--	123081X	Decal, Engine
--	110719X	Decal, Operation (Engine)
--	127836	Decal (Tine Shield)
--	120075X	Decal, Warning (Tine Shield)

* STANDARD HARDWARE - PURCHASE LOCALLY

REPAIR PARTS

5 HP TILLER -- MODEL NUMBER 917.298350

ENGINE -- BRIGGS & STRATTON, MODEL NO. 130202, TYPE NO. 3256-01

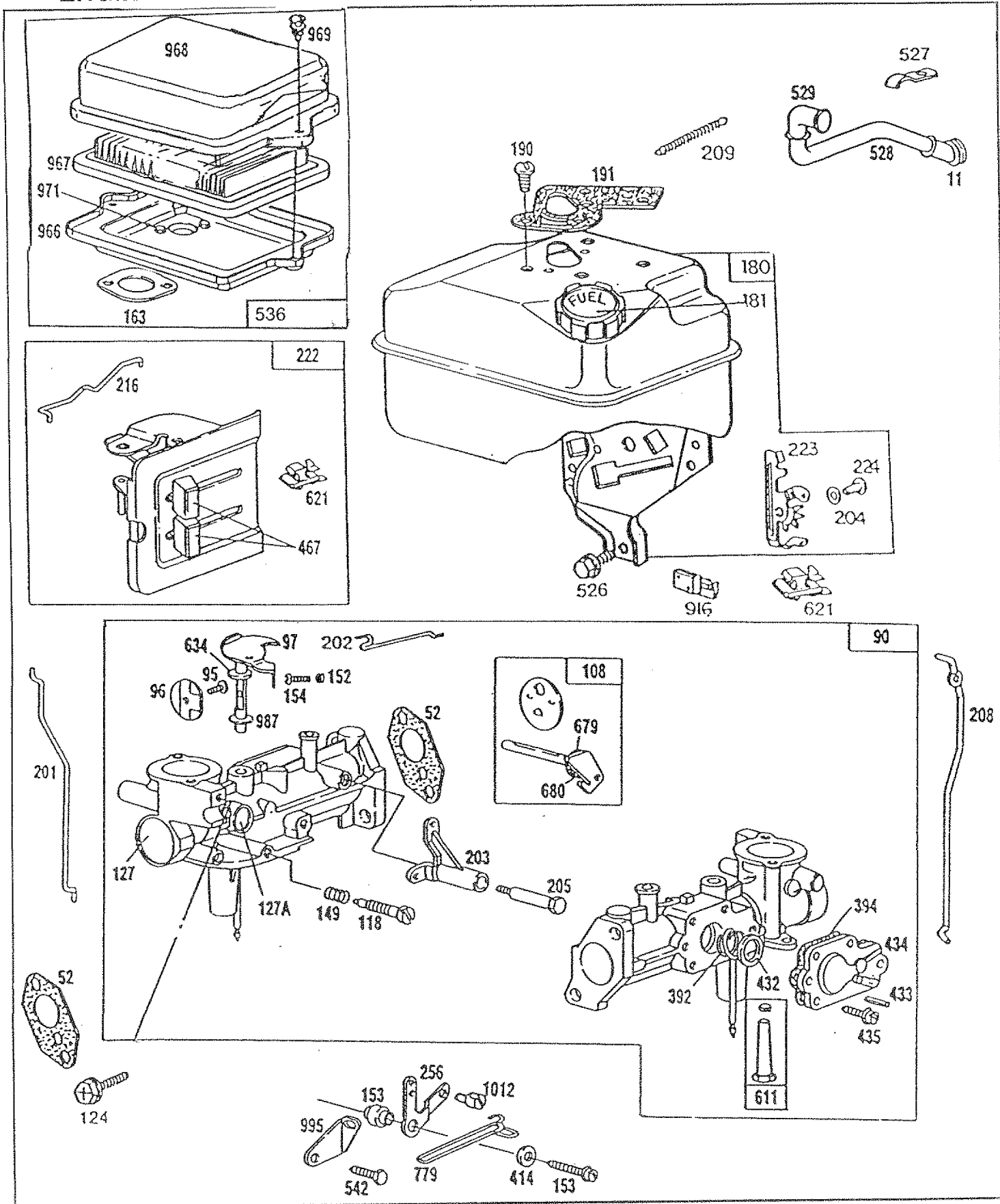


Assemblies include all parts shown in frames.



REPAIR PARTS

5 HP TILLER -- MODEL NUMBER 917.298350
ENGINE -- BRIGGS & STRATTON, MODEL NO. 130202, TYPE NO. 3256-01

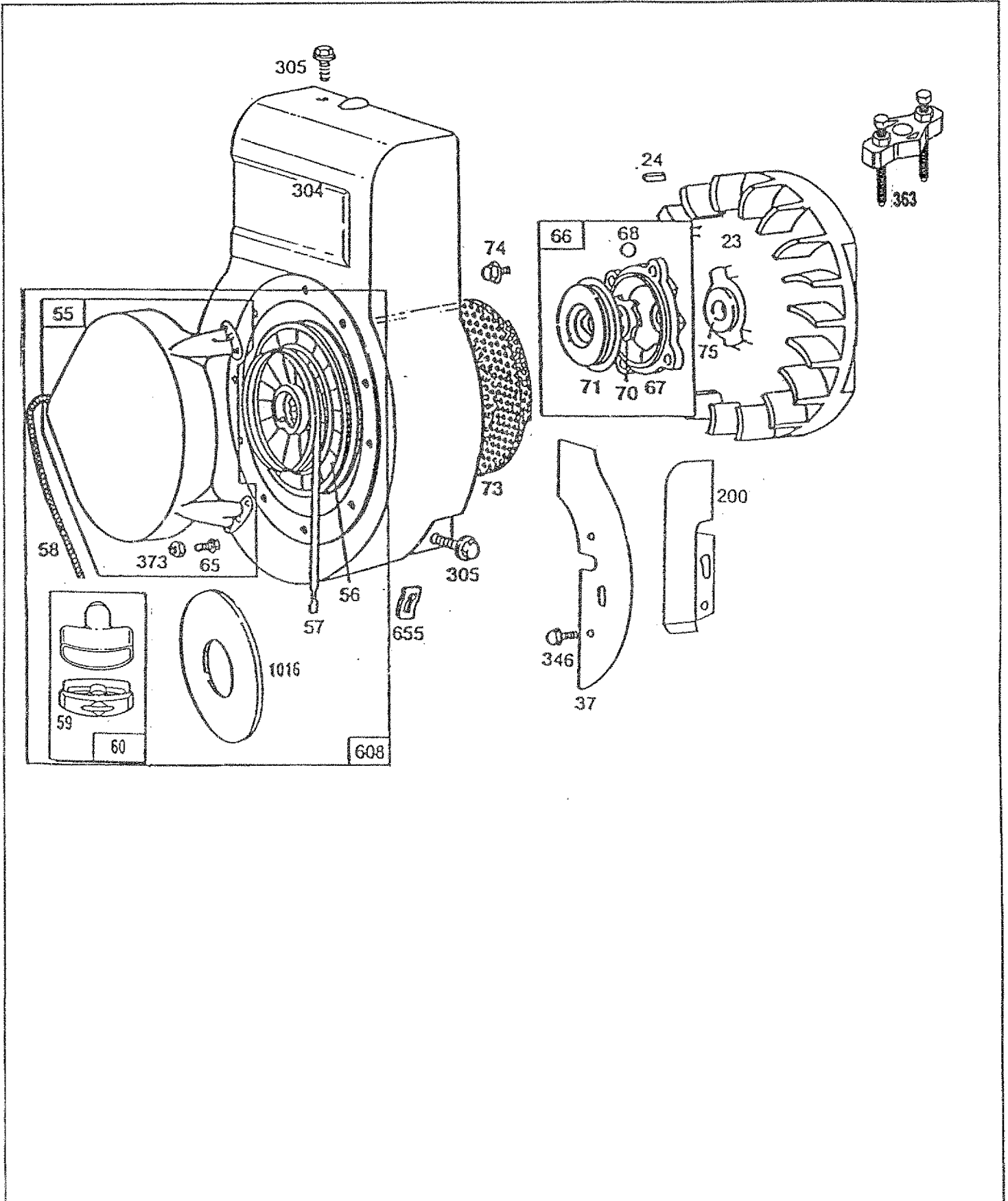


Assemblies include all parts shown in frames.

REPAIR PARTS

5 HP TILLER - - MODEL NUMBER 917.298350

ENGINE - - BRIGGS & STRATTON, MODEL NO. 130202, TYPE NO. 3256-01



Assemblies include all parts shown in frames.

REPAIR PARTS

5 HP TILLER - - MODEL NUMBER 917.298350

ENGINE - - BRIGGS & STRATTON, MODEL NO. 130202, TYPE NO. 3256-01

REF. NO.	PART NO.	DESCRIPTION	REF. NO.	PART NO.	DESCRIPTION	REF. NO.	PART NO.	DESCRIPTION
1	395990	Cylinder Assembly	PISTON RING SETS: Note: For Chrome Piston Ring Set -Standard Size -Order Part No. 299742. 26 298982 Ring Set-Standard Piston 298983 Ring Set-.010" O.S. Piston 298984 Ring Set-.020" O.S. Piston 298985 Ring Set-.030" O.S. Piston 27 26026 Lock-Piston Pin 28 298909 Pin Assy.-Piston- Standard 298908 Pin Assy.-Piston- .005" O.S. 29 299430 Rod Assy.-Connecting Note: For Connecting Rod with .020" undersize Crankpin Bore-Order No. 390459. 30 221890 Dipper-Connecting Rod 31 221876 Lock-Conn. Rod Screw 32 92296 Screw-Connecting Rod 33 211119 Valve-Exhaust 34 261044 Valve-Intake 35 260552 Spring-Intake Valve 36 26478 Spring-Exhaust Valve 37 222443 Guard-Flywheel 40 93312 Retainer-Valve Spring 45 260642 Tappet-Valve 46 212733 Gear-Cam 52 *271936 Gasket-Carburetor Mounting (2) 55 299431 Housing-Rewind Starter 56 295871 Pulley-Rewind Starter (Includes 63" Long Rope) 57 490179 Spring-Rewind Starter 58 66884 Rope-Rewind Starte 59 490653 Insert-Starter Handle 60 490652 Handle-Rewind Starter 65 94128 Screw-Stamped Steel Housing Mtg. Sem			66	399671	Clutch Assy.-Rewind Starter
2	297565	Bushing-Cylinder Note: Requires Special Tools for Installation.				67	394897	Housing-Starter Cl.
3	299819	Seal-Oil				68	63770	Ball-Clutch
5	211542	Head-Cylinder				70	298799	Ratchet-Rewind Sta
7	*272157	Gasket-Cylinder Head				71	394506	Washer-Clutch Retainer
8	294178	Breather-Valve Chamber				73	221923	Screen-Starter Pull
9	*27549	Gasket-Valve Cover				74	93490	Screw-Hex. Head
10	93394	Screw-Breather Mtg. Sem				75	224061	Washer-Spring
11	66578	Grommet-Breather Tube				81	222263	Lock-Screw
12	*270080	Gasket-Crankcase- .015" Thick (Standard)				90	492611	Carburetor Assembl
	*270125	Gasket-Crankcase- .005" Thick				95	93499	Screw-Throttle Valv Shaft Sem
	*270126	Gasket-Crankcase- .009" Thick				96	223793	Throttle-Carburetor
13	94221	Screw-Cylinder Head (2-3/32" long)				97	490048	Shaft and Lever- Throttle
14	93369	Screw-Cylinder Head (2-15/32" long)				108	491177	Valve Group-Choke
15	94387	Plug-Pipe Note: 93448 Plug-Pipe (Hex. Socket)				118	231533	Valve-Needle
16	397103	Crankshaft Note: To Replace Crankshaft Gear Pin, Order Part No. 230978.				124	93357	Screw-Hex. Head
18	297602	Cover Assy.- Crankcase				127	220352	Plug-Welch
19	297603	Bushing-Crankcase Cover Note: Requires Special Tools for Installation.				127A	223789	Plug-Welch (Mixing Chamber)
20	294606	Seal-Oil				149	26336	Spring-Needle Valv
21	66768	Plug-Oil Filler				152	260575	Spring-Throttle Adjustment
22	93032	Screw-Crankcase Cover Mounting Sem				153	490589	Screw Assy.
23	297229	Flywheel-Magneto				154	93527	Screw-Machine, Rc Hd.-5-40 x 5/8"
24	222698	Key-Flywheel				163	271935	Gasket-Air Cleaner Mounting
25	298904	Piston Assy.-Standard				180	492927	Tank Assembly-Fu
	298905	Piston Assy.-.010" O.S.				181	490075	Cap-Fuel Tank
	298906	Piston Assy.-.020" O.S.				190	94094	Screw-Fuel Tank Mounting Sem
	298907	Piston Assy.-.030" O.S.				191	*272410	Gasket-Fuel Tank Mounting
			200	223886	Guide-Air			
			201	262280	Link-Governor			
			202	262270	Link-Throttle			
			203	280720	Crank-Bell			
			204	222962	Bushing-Governor Lever (Flat)			
			205	231520	Screw-Shoulder			
			208	262279	Rod-Control			
			209	262283	Spring-Governor			

* Included in Gasket Set-
Part No. 397145.



REPAIR PARTS

5 HP TILLER - - MODEL NUMBER 917.298350

ENGINE - - BRIGGS & STRATTON, MODEL NO. 130202, TYPE NO. 3256-01

REF. NO.	PART NO.	DESCRIPTION	REF. NO.	PART NO.	DESCRIPTION	REF. NO.	PART NO.	DESCRIPTION
216	262359	Link-choke	414	220982	Washer	655	222598	Anchor Spring
219	391737	Gear-Governor	432	221377	Cap-Spring	676	393757	Deflector-Exhaust (Side Outlet)
220	221551	Washer-Thrust	433	93265	Pin-Diaphragm Cover	679	270382	Washer Choke Shaft (Foam)
222	490649	Bracket-Control	434	210959	Cover-Diaphragm	680	221839	Washer Choke Shaft (Brass)
223	223455	Lever-Governor Control	435	93141	Screw-Diaphragm Cover	741	261696	Gear-Timing
224	93491	Rivet-Governor Control Lever Mounting	467	280715	Knob-Control	779	262276	Link-Bell Crank
227	490374	Lever Assy.-Governor	526	94409	Screw-Tank Bracket Mounting Sem	851	221798	Cable Terminal-Ignition
230	222450	Washer-Governor Lever	527	223786	Clamp-Breather Tube	869	211787	Seat-Intake Valve (Standard)
256	223813	Crank-Bell	528	231550	Tube-Breather	870	211172	Seat-Exhaust Valve (Standard)
300	393615	Muffler-Exhaust	529	67838	Grommet-Breather Tube			Note: For Options see Repair Manual.
304	490169	Housing-Blower	536	494279	Air Cleaner Kit	871	231348	Guide-Exhaust Valve Note: 63709 Guide-Intake Valve See Repair Instruction Manual.
305	93158	Screw-Blower Housing Mounting	542	93572	Screw			
306	221511	Shield-Cylinder	552	231079	Bushing-Governor Crank (1/4" I.D.)			
307	93490	Screw-Cylinder Shield Mounting Sem	562	92613	Bolt-Governor Lever			
308	221512	Cover-Cylinder Head	592	231082	Nut-Hex.-10-24			
333	397358	Armature Assembly	608	390463	Starter Assy.-Rewind			
335	93414	Screw-Armature Mtg. Sem	611	391813	Fuel Pipe and Clip Assembly	916	280321	Gear Rack-Governor
337	802592	Plug-Spark	613	93935	Screw-Hex. Hd. Shoulder	966	490074	Base-Air Cleaner
346	93705	Screw-Sem	614	93306	Cotter-Hair Pin	967	491588	Filter-Air
356	398808	Wire-Ground	615	93307	Retainer-E-Ring	968	223765	Cover Air Cleaner
358	397145	Gasket Set	616	231077	Crank-Governor (1/4" Dia.)	969	490073	Screw-Cover Mtg. (Includes Grommet)
363	19069	Flywheel Puller (Optional Accessory)	621	396847	Switch-Stop	971	94018	Screw-Air Cleaner
373	92987	Nut-Hex.	634	271853	Washer-Throttle Shaft (Foam)	987	398970	Seal-Throttle Shaft
383	89838	Wrench-Spark Plug	635	66538	Elbow-Spark Plug	995	223887	Bracket-Link
392	262328	Spring-Fuel Pump Diaphragm				1012	490507	Link-Retainer
394	270026	Diaphragm				1016	490817	Spacer
						1019	491100	Label Kit

* Included in Gasket Set-
Part No. 397145.

SERVICE NOTES

SERVICE NOTES

SEARS
OWNER'S
MANUAL

MODEL NO.
917.298350

**HOW TO ORDER
REPAIR PARTS**

CRAFTSMAN[®]
5.0 HP
24 INCH TINE WIDTH
FRONT TINE TILLER

Each tiller has its own model number. Each engine has its own model number.

The model number for your tiller will be found on a plate attached to the right hand engine bracket.

The model number for your engine will be found on the blower housing of the engine adjacent to the spark plug.

All parts listed herein may be ordered from any Sears, Roebuck and Co. Service Center and most Retail Stores.

WHEN ORDERING REPAIR PARTS, ALWAYS GIVE THE FOLLOWING INFORMATION:

- **PRODUCT - FRONT TINE TILLER**
- **MODEL NUMBER - 917.298350**
- **ENGINE MODEL NUMBER - 130202, TYPE NUMBER 3256-01**
- **PART NUMBER**
- **PART DESCRIPTION**

Your Sears merchandise has added value when you consider Sears has service units nationwide staffed with Sears trained technicians... professional technicians specifically trained to insure that we meet our pledge to you, we service what we sell.

Sears, Roebuck and Co., Chicago, IL 60684 U.S.A.