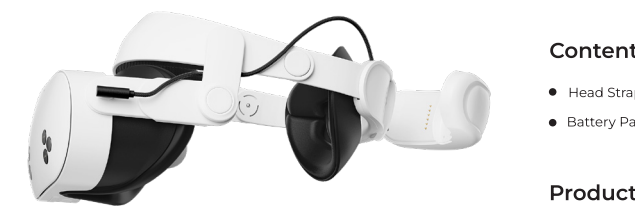




# A3 Max Battery Pack Head Strap

for Meta Quest 3S / S



## Introduction

Thank you for choosing the ANNAPRO A3 Max Battery Pack Head Strap! This manual will guide you through the set up and usage of your new accessory. Please read this manual carefully before use to ensure optimal performance and safety.

## Contents of the Package

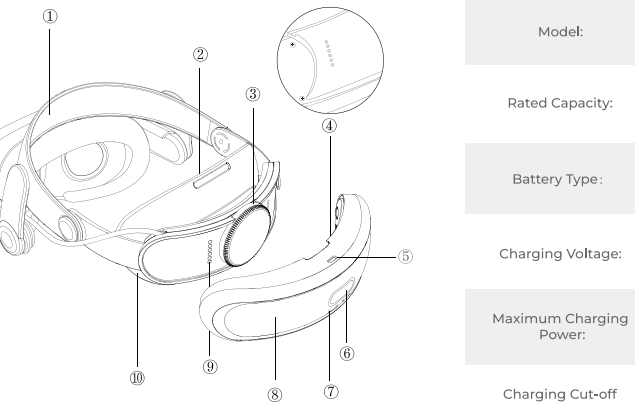
- Head Strap X 1
- Battery Pack X 1
- Back Bracket X 1
- Instruction Manual X 1

## Product Structure Description

- ① Ice Silk Cushion
- ② PU Cushion
- ③ Fitting Wheel
- ④ Connector Pin
- ⑤ USB Type-C Charging
- ⑥ Power Button
- ⑦ LED Indicators
- ⑧ Battery Pack
- ⑨ Magnetic Contacts
- ⑩ Back Bracket
- ⑪ USB Type-C Cable

## Product Specification

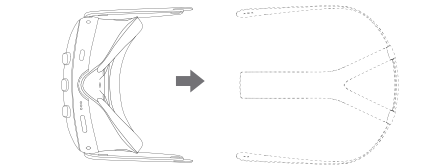
Product Name:	20W Fast Charging Battery Pack Head Strap
Compatible Devices:	Meta Quest 3S / 3



Model:	A3 Max
Rated Capacity:	10800 mAh
Battery Type:	Lithium Battery
Charging Voltage:	5.0 9 12 20V
Maximum Charging Power:	20W
Charging Cut-off Current:	80mA ~ 200mA
Output Voltage:	5.0 9 12 15 20V
Output Power:	20W
Operating Temperature:	0°C-45°C/32°F-113°F

## Installation

Step 1: Remove the original head strap.

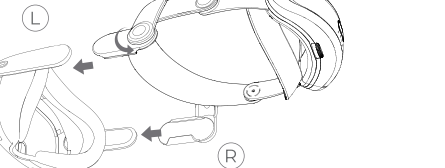


Step 2: Attach the back bracket to the strap, clip the back bracket into the strap according to the corresponding R and L letters - you will hear a clear "click" when attaching.

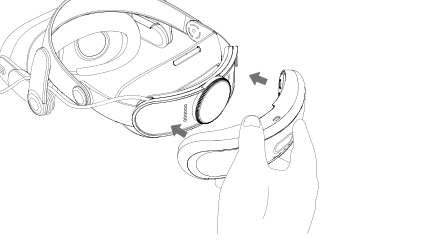


## Installation

Step 3: Align both sides of the head strap to the left and right sides of Quest 3S / 3 and install it. (The strap is marked left or right)



Step 4: Install the battery on the head strap. (Automatic magnetic attachment)



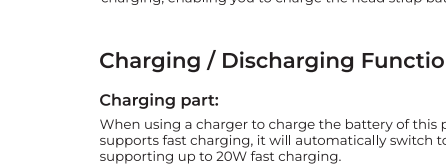
## Installation

Step 5: Plug the charging cable into the Quest 3S / 3 charging port.



## Simultaneous Charging

When charging this product, the LED lights flash and light up one by one. When this product is fully charged, all 4 LED lights light up and remain on, reminding the user to unplug the charging cable.



## Charging / Discharging Function and Usage

**Charging part:** When using a charger to charge the battery of this product, if the charger supports fast charging, it will automatically switch to fast charging mode, supporting up to 20W fast charging.

**Discharge part:** After the battery is connected to the head strap, the blue indicator light will turn on, indicating a successful connection. If the external device supports fast charging, it will automatically switch to fast charging mode.

When this product is charging the mobile load, the LED indicator light will remain on. As the internal power decreases, the LED indicators go out one by one.

When the discharge LED indicator light starts flashing, it means that the mobile power supply is empty.

## Battery Indicator

**Click the button to check the power**

Power	LED 1	LED 2	LED 3	LED 4
80%~100%	●	●	●	●
60%~80%	●	●	●	○
40%~60%	●	●	○	○
20%~40%	●	○	○	○
0%~20%	flash	○	○	○

**Display while charging**

Power	LED 1	LED 2	LED 3	LED 4
80%~100%	●	●	●	●
60%~80%	●	●	●	flash
40%~60%	●	●	flash	○
20%~40%	●	flash	○	○
0%~20%	flash	○	○	○

## Storage temperature

- 1 month (-20°C ~ 60°C / -4°F ~ 140°F)
- 3 months (-20°C ~ 45°C / -4°F ~ 113°F)

## Warnings and Notes

Attention must be paid to the precautionary measures detailed herein to prevent the battery from leakage, heating and explosion. Failure to read the following carefully may cause battery leakage, explosion or fire.

- Do not put the product into water or get it wet;
- Do not use or store the product near a heat source (such as fire or heater);
- Do not connect the positive and negative poles in reverse;
- Do not connect the product directly to a wall socket or a car cigarette lighter socket;
- Do not put the product into fire or heat it;
- Do not short-circuit the positive and negative poles of the battery with wires or other metal objects, and do not transport or store the battery with necklaces, hairpins or other metal objects;
- Do not hit, throw or subject the product to mechanical vibration;
- Do not pierce the product housing with nails or other sharp objects, and do not hammer or step on it;
- Do not directly weld the product terminals;
- Do not disassemble the battery in the product in any way;
- Do not charge the product under fire or extreme heat conditions.

## Warning!

- Do not place the product in a microwave oven or pressure container;

- Do not use it in combination with disposable batteries (such as dry batteries) or batteries of different capacities, models, and varieties;
- Do not use the battery if it emits an odor, heats up, deforms, changes color, or has any other abnormal phenomenon;
- If the battery in the product leaks or emits an odor, immediately move it away from open flames;
- The leaked electrolyte may cause fire or explosion.

## Attention!

If the device is not used for a long time, remove the battery and place it in a cool, dry place, otherwise the product may rust or performance may deteriorate;

If the contact terminals on the product become dirty, wipe them clean with a dry cloth before use. Otherwise, poor contact will result, causing energy loss or failure to charge.

We hope this instruction manual provides you with all the necessary information to enjoy your Battery Head Strap to the fullest. For further assistance, please don't hesitate to reach out to our dedicated customer support team.

- annapro.com
- support@annapro.com
- annapro\_official
- annapro\_ins
- annapro.official
- annapro\_brand



## Will the magnetic battery fall off during use?

No, the magnetic hold of the battery is strong enough to stay securely attached and will not fall off.

## Does the battery's charging power meet the needs of the Meta Quest 3?

Yes, the Meta Quest 3 officially recommends a charging power of 18W. Our battery provides a charging power of 20W.

## Why are all four lights on the battery flashing?

This indicates that the battery is overheating and has activated thermal protection. It is recommended to stop charging and wait for the temperature to drop before resuming use.

## Is a power adapter included?

No, the power adapter is not included. We recommend using the original power adapter that comes with the Meta Quest 3 or a power adapter with an output of 20W or higher for faster charging.

## The battery is fully charged, but the VR headset cannot be charged after being magnetically attached?

1. Check whether the magnetic contacts of the headband are dirty and cause poor contact, and wipe them clean with a dry cloth before use.

2. Check whether the pin on the battery is normal. Or please wipe it with anhydrous alcohol and try to see if it can work normally.

If it still cannot be used, please contact our after-sales email for warranty service.

Email: support@annapro.com