

Owner's Manual

CRAFTSMAN®

PROFESSIONAL

1-1/2 Horsepower (continuous duty)
2.1 Horsepower (maximum developed)
1200 C.F.M.
3450 R.P.M. (no load R.P.M.)

DUST COLLECTOR

Model No.
152.213371



CAUTION:

FOR YOUR OWN SAFETY; Read and follow all of the Safety and Operating Instructions before Operating this Dust Collector.

Customer Helpline
1-800-897-7709

Please have your Model No.
and Serial No. available.

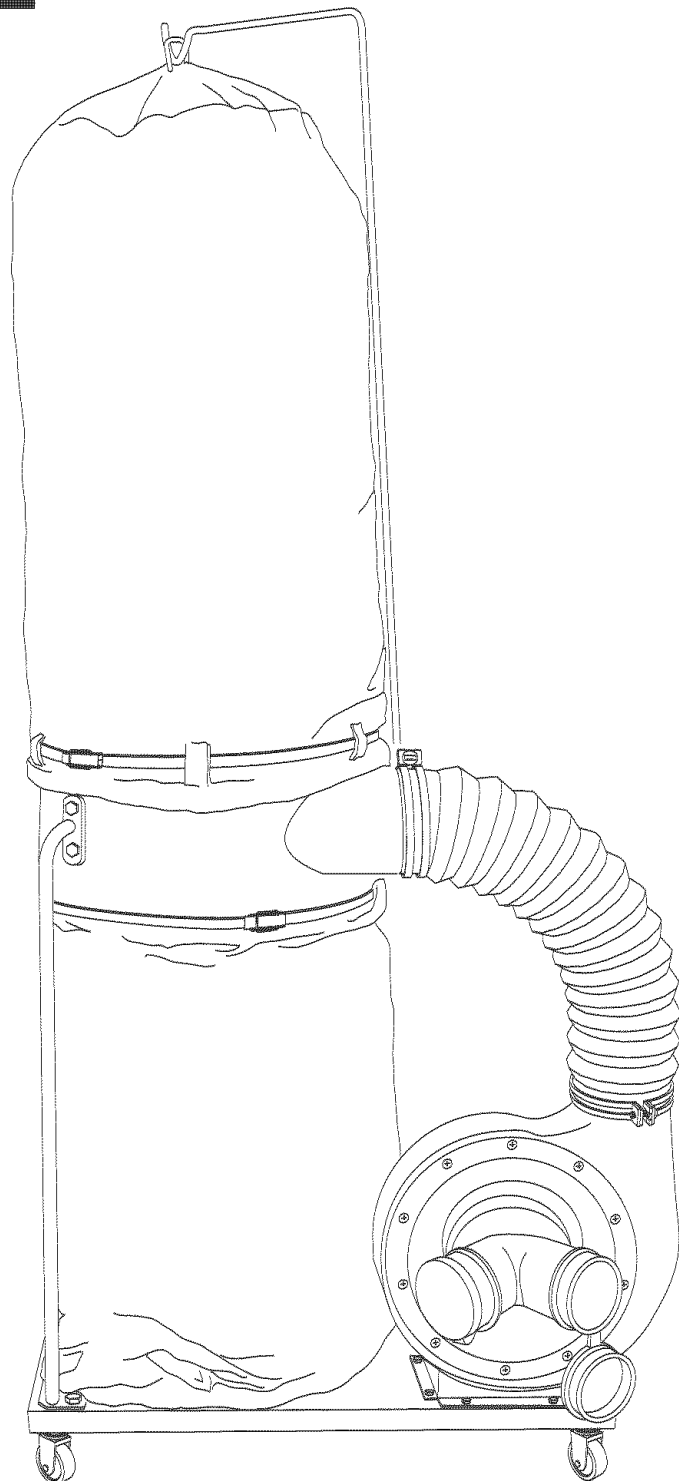


TABLE OF CONTENTS

SECTION	PAGE
Warranty	2
Product Specifications	2
Safety Instructions	3
Grounding Instructions	5
Specific Safety Instructions for Dust Collectors	6
Accessories and Attachments	7
Carton Contents	8
Know Your Dust Collector	10
Assembly Instructions	11
Operating the Dust Collector	15
Dust Collector in the Shop	17
Maintenance	20
Troubleshooting Guide	20
Parts List	21
Service Information	48

WARRANTY

ONE-YEAR FULL WARRANTY ON CRAFTSMAN PROFESSIONAL TOOL

If this Craftsman tool fails due to a defect in material or workmanship within one year from the date of purchase, CALL 1-800-4-MY-HOME® TO ARRANGE FOR FREE REPAIR.

This warranty applies only while this tool is in the United States.

This warranty gives you specific legal rights, and you may also have other rights, which vary, from state to state.

Sears, Roebuck and Co., Dept. 817WA, Hoffman Estates, IL 60179

06/05

PRODUCT SPECIFICATIONS

Induction Motor	
Continuous duty HP	1-1/2
Maximum developed HP	2.1
Amps	12/6
Volts	120/240
Hertz	60
RPM	3450 R.P.M. (no load R.P.M.)
Standard Bag Top	30 micron
Standard Bag Bottom	30 micron
Collection Hose	4-inch Flexible Hose
Maximum C. F. M.	1200
Maximum static pressure in inches of water	12
Filter Bag capacity	6 cubic feet
Collection Bag capacity	6 cubic feet

⚠ WARNING

To avoid electrical shock to yourself and damage to the Dust Collector, use proper circuit protection. Do not expose to rain, or use in a damp environment.

The Dust Collector is factory wired for 120V, 60 Hz, operation. Connect to a 120V, 15 amp branch circuit and use a 15 amp time delay fuse or circuit breaker. The electrical circuit cannot have any wire size less than #14. To avoid shock or fire, replace power cord immediately if it is damaged in any way.

SAFETY INSTRUCTIONS

GENERAL SAFETY INSTRUCTIONS

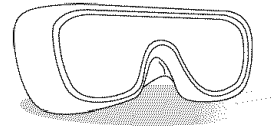
Operating a Dust Collector can be dangerous if safety and common sense are ignored. The operator must be familiar with the operation of the tool. Read this manual to understand this Dust Collector. **DO NOT** operate this Dust Collector if you do not fully understand the limitations of this tool. **DO NOT** modify this Dust Collector in any way. **REMEMBER:** Your personal safety is your responsibility.

BEFORE USING THE DUST COLLECTOR

⚠ WARNING

To avoid serious injury and damage to the tool, read and follow all of the Safety and Operating Instructions before operating the Dust Collector.

- 1. READ** the entire Owner's Manual. **LEARN** how to use the tool for its intended applications.
- 2. GROUND ALL TOOLS.** If the tool is supplied with a 3-prong plug, it must be plugged into a 3-contact electrical receptacle. The 3rd prong is used to ground the tool and provide protection against accidental electric shock. **DO NOT** remove the 3rd prong. See Grounding Instructions.
- 3. AVOID A DANGEROUS WORKING ENVIRONMENT.** **DO NOT** use electrical tools in a damp environment or expose them to rain.
- 4. DO NOT** use electrical tools in the presence of flammable liquids or gasses.
- 5. ALWAYS** keep the work area clean, well lit, and organized. **DO NOT** work in an environment with floor surfaces that are slippery from debris, grease, and wax.
- 6. KEEP VISITORS AND CHILDREN AWAY. DO NOT** permit people to be in the immediate work area, especially when the electrical tool is operating.
- 7. DO NOT FORCE THE TOOL** to perform an operation for which it was not designed. It will do a safer and higher quality job by only performing operations for which the tool was intended.
- 8. WEAR PROPER CLOTHING. DO NOT** wear loose clothing, gloves, neckties, or jewelry. These items can get caught in the machine during operations and pull the operator into the moving parts. The user must wear a protective cover on their hair, if the hair is long, to prevent it from contacting any moving parts.
- 9. ALWAYS WEAR EYE PROTECTION.** Any power tool can throw debris into the eyes during operations, which could cause severe and permanent eye damage. Everyday eyeglasses are **NOT** safety glasses. **ALWAYS** Wear Safety Goggles (that comply with ANSI standard Z87.1) when operating power tools. Safety Goggles are available at Sears Retail Stores.



- 10. ALWAYS WEAR HEARING PROTECTION.** Plain cotton is not an acceptable protective device. Hearing equipment should comply with ANSI S3.19 Standards.
- 11. ALWAYS UNPLUG THE TOOL FROM THE ELECTRICAL RECEPTACLE** when making adjustments, changing parts or performing any maintenance.
- 12. KEEP PROTECTIVE GUARDS IN PLACE AND IN WORKING ORDER.**
- 13. AVOID ACCIDENTAL STARTING.** Make sure that the power switch is in the "OFF" position before plugging in the power cord to the electrical receptacle.
- 14. REMOVE ALL MAINTENANCE TOOLS** from the immediate area prior to turning the tool "ON".
- 15. USE ONLY RECOMMENDED ACCESSORIES.** Use of incorrect or improper accessories could cause serious injury to the operator and cause damage to the tool. If in doubt, check the instruction manual that comes with that particular accessory.
- 16. NEVER LEAVE A RUNNING TOOL UNATTENDED.** Turn the power switch to the "OFF" position. **DO NOT** leave the tool until it has come to a complete stop.
- 17. DO NOT STAND ON A TOOL.** Serious injury could result if the tool tips over or you accidentally contact the tool.
- 18. DO NOT** store anything above or near the tool where anyone might try to stand on the tool to reach it.
- 19. MAINTAIN YOUR BALANCE. DO NOT** extend yourself over the tool. Wear oil resistant rubber-soled shoes. Keep floor clear of debris, grease, and wax.
- 20. MAINTAIN TOOLS WITH CARE.** Always keep tools clean and in good working order. Keep all blades and tool bits sharp.

SAFETY INSTRUCTIONS (con't.)

21. **EACH AND EVERY TIME, CHECK FOR DAMAGED PARTS PRIOR TO USING THE TOOL.**
Carefully check all guards to see that they operate properly, are not damaged, and perform their intended functions. Check for alignment, binding or breaking of moving parts. A guard or other part that is damaged should be immediately repaired or replaced.
22. **CHILDPROOF THE WORKSHOP AREA** by removing switch keys, unplugging tools from the electrical receptacles, and using padlocks.
23. **DO NOT OPERATE TOOL IF UNDER THE INFLUENCE OF DRUGS OR ALCOHOL.**
24. **SECURE ALL WORK.** When it is possible, use clamps or jigs to secure the work-piece. This is safer than attempting to hold the work-piece with your hands.
25. **STAY ALERT, WATCH WHAT YOU ARE DOING, AND USE COMMON SENSE WHEN OPERATING A POWER TOOL. DO NOT USE A TOOL WHILE TIRED OR UNDER THE INFLUENCE OF DRUGS, ALCOHOL, OR MEDICATION.** A moment of inattention while operating power tools may result in serious personal injury.
26. **ALWAYS WEAR A DUST MASK TO PREVENT INHALING DANGEROUS DUST OR AIRBORNE PARTICLES,** including wood dust, crystalline silica dust and asbestos dust. Direct particles away from face and body. Always operate tool in well ventilated area and provide for proper dust removal. Use dust collection system whenever possible. Exposure to the dust may cause serious and permanent respiratory or other injury, including silicosis (a serious lung disease), cancer, and death. Avoid breathing the dust, and avoid prolonged contact with dust. Allowing dust to get into your mouth or eyes, or lay on your skin may promote absorption of harmful material. Always use properly fitting NIOSH/OSHA approved respiratory protection appropriate for the dust exposure, and wash exposed areas with soap and water.
27. **USE A PROPER EXTENSION CORD IN GOOD CONDITION.** When using an extension cord, be sure to use one heavy enough to carry the current your product will draw. Please see minimum recommended gauge for extension cords (AWG) table for correct sizing of an extension cord. If in doubt, use the next heavier gauge.

The smaller the gauge number, the larger diameter of the extension cord. If in doubt of the proper size of an extension cord, use a shorter and thicker cord. An undersized cord will cause a drop in line voltage resulting in a loss of power and overheating. **USE ONLY A 3-WIRE EXTENSION CORD THAT HAS A 3-PRONG GROUNDING PLUG AND A 3-POLE RECEPTACLE THAT ACCEPTS THE TOOL'S PLUG.**

GUIDELINES FOR EXTENSION CORDS

If you are using an extension cord outdoors, be sure it is marked with the suffix "W-A" ("W" in Canada) to indicate that it is acceptable for outdoor use.

Be sure your extension cord is properly sized, and in good electrical condition. Always replace a damaged extension cord or have it repaired by a qualified person before using it.

Protect your extension cords from sharp objects, excessive heat, and damp or wet areas.

MINIMUM RECOMMENDED GAUGE FOR EXTENSION CORDS (AWG)			
120 VOLT OPERATION ONLY			
	25' LONG	50' LONG	100' LONG
0 to 6 Amps	18 AWG	16 AWG	16 AWG
6 to 10 Amps	18 AWG	16 AWG	14 AWG
10 to 12 Amps	16 AWG	16 AWG	14 AWG
240 VOLT OPERATION ONLY			
	25' LONG	50' LONG	100' LONG
0 to 6 Amps	18AWG	18 AWG	16 AWG
6 to 10 Amps	18 AWG	18 AWG	14 AWG
10 to 12 Amps	16 AWG	16 AWG	14 AWG



GROUNDING INSTRUCTIONS

⚠ WARNING

THIS TOOL MUST BE GROUNDED WHILE IN USE TO PROTECT THE OPERATOR FROM ELECTRIC SHOCK.

IN THE EVENT OF A MALFUNCTION OR BREAK-DOWN, grounding provides the path of least resistance for electric current and reduces the risk of electric shock. This tool is equipped with an electric cord that has an equipment-grounding conductor and a grounding plug. The plug **MUST** be plugged into a matching electrical receptacle that is properly installed and grounded in accordance with **ALL** local codes and ordinances.

DO NOT MODIFY THE PLUG PROVIDED. If it will not fit the electrical receptacle, have the proper electrical receptacle installed by a qualified electrician.

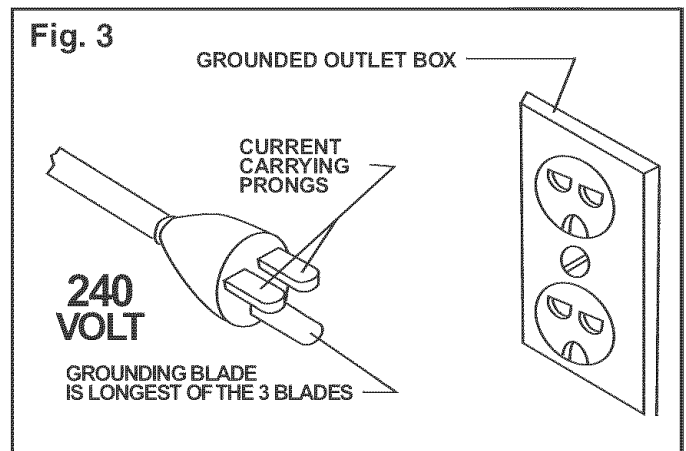
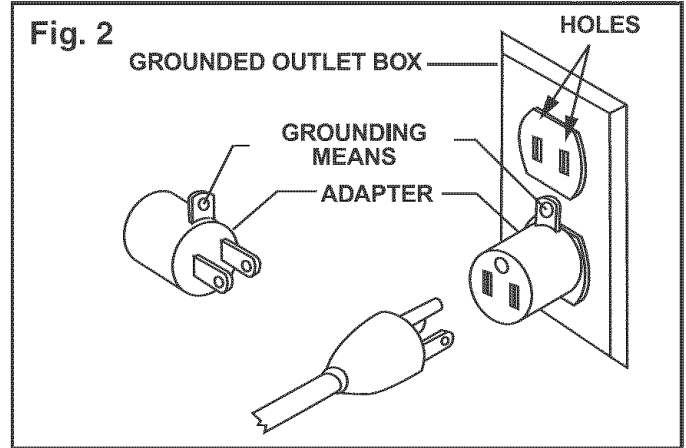
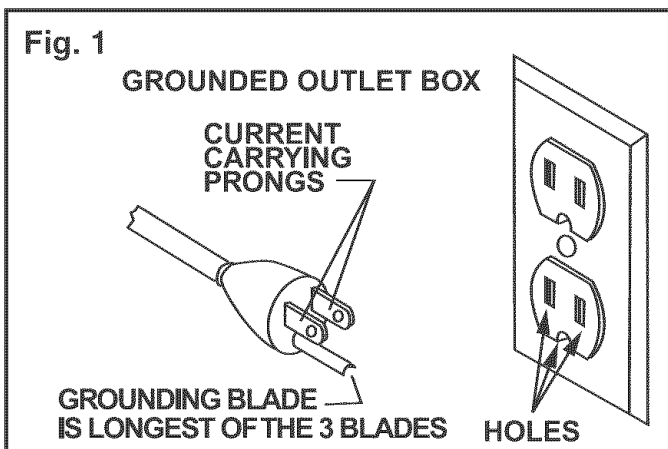
IMPROPER ELECTRICAL CONNECTION of the equipment-grounding conductor can result in risk of electric shock. The conductor with the green insulation (with or without yellow stripes) is the equipment-grounding conductor. **DO NOT** connect the equipment-grounding conductor to a live terminal if repair or replacement of the electric cord or plug is necessary.

CHECK with a qualified electrician or service personnel if you do not completely understand the grounding instructions, or if you are not sure the tool is properly grounded.

The motor supplied with your Dust Collector is a dual voltage 120/240 volt, single-phase motor. It is shipped wired for 120-volt application. Never connect the green wire to a live terminal. See **OPERATING DUST COLLECTOR** section for directions on changing motor voltage.

USE ONLY A 3-WIRE EXTENSION CORD THAT HAS A 3-PRONG GROUNDING PLUG AND A 3-POLE RECEPTACLE THAT ACCEPTS THE TOOL'S PLUG.

REPLACE A DAMAGED OR WORN CORD IMMEDIATELY.



This tool is intended for use on a circuit that has an electrical receptacle as shown in **FIGURE 1**. **FIGURE 1** shows a 3-wire electrical plug and electrical receptacle that has a grounding conductor. If a properly grounded electrical receptacle is not available, an adapter as shown in **FIGURE 2** can be used to temporarily connect this plug to a 2-contact ungrounded receptacle. The adapter has a rigid lug extending from it that **MUST** be connected to a permanent earth ground, such as a properly grounded receptacle box. **THIS ADAPTER IS PROHIBITED IN CANADA.**

A tool with a 240-volt plug should only be connected to an outlet having the same configuration as the plug shown in **FIGURE 3**. No adapter is available or should be used with the 240-volt plug.

CAUTION: In all cases, make certain the electrical receptacle in question is properly grounded. If you are not sure have a certified electrician check the electrical receptacle.

⚠ WARNING

This Dust Collector is for indoor use only. Do not expose to rain or use in damp locations.

SPECIFIC SAFETY INSTRUCTIONS FOR DUST COLLECTORS

The operation of any Dust Collector can result in debris being thrown into your eyes, which can result in severe eye damage. **ALWAYS** Wear Safety Goggles (that comply with ANSI standard Z87.1) when operating the Dust Collector. Safety Goggles are available at Sears Retail Stores. Keep your thumbs and fingers away from intake ports.

Basic precautions should always be followed when using your dust collector. To reduce the risk of injury, electrical shock or fire, comply with the safety rules listed below:

1. **READ** and understand the instruction manual before operating the dust collector.
2. **DO NOT OPERATE THIS MACHINE** until it is assembled and installed according to the instructions.
3. **OBTAIN ADVICE FROM YOUR SUPERVISOR**, instructor, or another qualified person if you are not familiar with the operation of this machine.
4. **DO NOT** leave the dust collector plugged into the electrical outlet. Unplug dust collector from the outlet when not in use and before servicing, changing bags, unclogging and cleaning.
5. **ALWAYS** turn the power switch "OFF" before unplugging the dust collector.
6. **TO REDUCE THE RISK OF ELECTRICAL SHOCK**, do not use outdoors. Do not expose to rain. Store indoors. Use only for dry pick up.
7. **FOLLOW** all electrical and safety codes, including the National Electric Code (NEC) and the Occupational Safety and Health Regulations (OSHA). All electrical connections and wiring should be made by qualified personnel only.
8. **DO NOT** handle the plug or dust collector with wet hands.
9. **DO NOT** use the dust collector to pick up flammable or combustible liquids, such as gasoline. **NEVER** use the dust collector near any flammable or combustible liquids.
10. **USE** the dust collector to pick up wood materials only. **DO NOT** use the dust collector to pick up metal shavings, metal dust, or parts.
11. **NEVER** use the dust collector to dissipate fumes or smoke. **NEVER** pick up anything that is burning or smoking, such as cigarettes, matches or hot ashes.
12. **USE** only as described in this manual. **USE** accessories only recommended by Sears.
13. **DO NOT** pull the dust collector by the power cord. **NEVER** allow the power cord to come in contact with sharp edges, hot surfaces, oil or grease.
14. **DO NOT** unplug the dust collector by pulling on the power cord. **ALWAYS** grasp the plug, not the cord.
15. **REPLACE** a damaged cord immediately. **DO NOT** use a damaged cord or plug. If the dust collector is not operating properly, or has been damaged, left outdoors or has been in contact with water, return it to a Sears Service Center.
16. **DO NOT** use the dust collector as a toy. **DO NOT** use near or around children.
17. **DO NOT** insert fingers or foreign objects into the dust intake port. Keep hair, loose clothing, fingers, and all body parts away from openings and moving parts of the dust collector.
18. **DO NOT** use the dust collector without the dust collection bag in place and properly secured.
19. **ALWAYS** use safety gates or caps to cover dust ports when the dust collector is not in use or mounted to a supporting surface for storage.
20. **PERIODICALLY INSPECT** dust bag for any cuts, rips or tears. **NEVER** operate the dust collector with a damaged bag or vacuum hose.
21. The dust collector is designed for home use or light commercial duty **ONLY**.
22. **CONNECT** dust collector to a properly grounded outlet only. See grounding instructions.
23. **ADDITIONAL INFORMATION** regarding the safe and proper operation of this product is available from the National Safety Council, 1121 Spring Lake Drive, Itasca, IL 60143-3201 in the Accident Prevention Manual for Industrial Operation and also in the Safety Data Sheets provided by the NSC. Please also refer to the American National Standards Institute ANSI 01.1 Safety Requirements for Woodworking Machinery and the U.S. Department of Labor OSHA 1910.213 Regulations.
24. **SAVE THESE INSTRUCTIONS.** Refer to them frequently and use them to instruct other users.

ACCESSORIES AND ATTACHMENTS

AVAILABLE ACCESSORIES

Visit your Sears Hardware Department or see the Sears Power and Hand Tool Catalog for the following accessories.

<u>ITEM</u>	<u>STOCK NUMBER</u>
30 micron filter bag (top)	21379
5 micron filter bag (top)	21380
Plastic collection bag (bottom)	21381
4" Diameter x 10' flexible hose	21372
4" Diameter x 25' flexible hose	21373
Various accessory fittings	See catalog or store

Sears may recommend other accessories not listed in this manual.

See your nearest Sears Hardware Department or Sears Power and Hand Tool Catalog for other accessories.

Do not use any accessory unless you have completely read the Owner's Manual for that accessory.

WARNING

Use only accessories recommended for this Dust Collector. Using other accessories may cause serious injury and cause damage to the Dust Collector.

CARTON CONTENTS

UNPACKING AND CHECKING CONTENTS (Figure 4 and Figure 5)

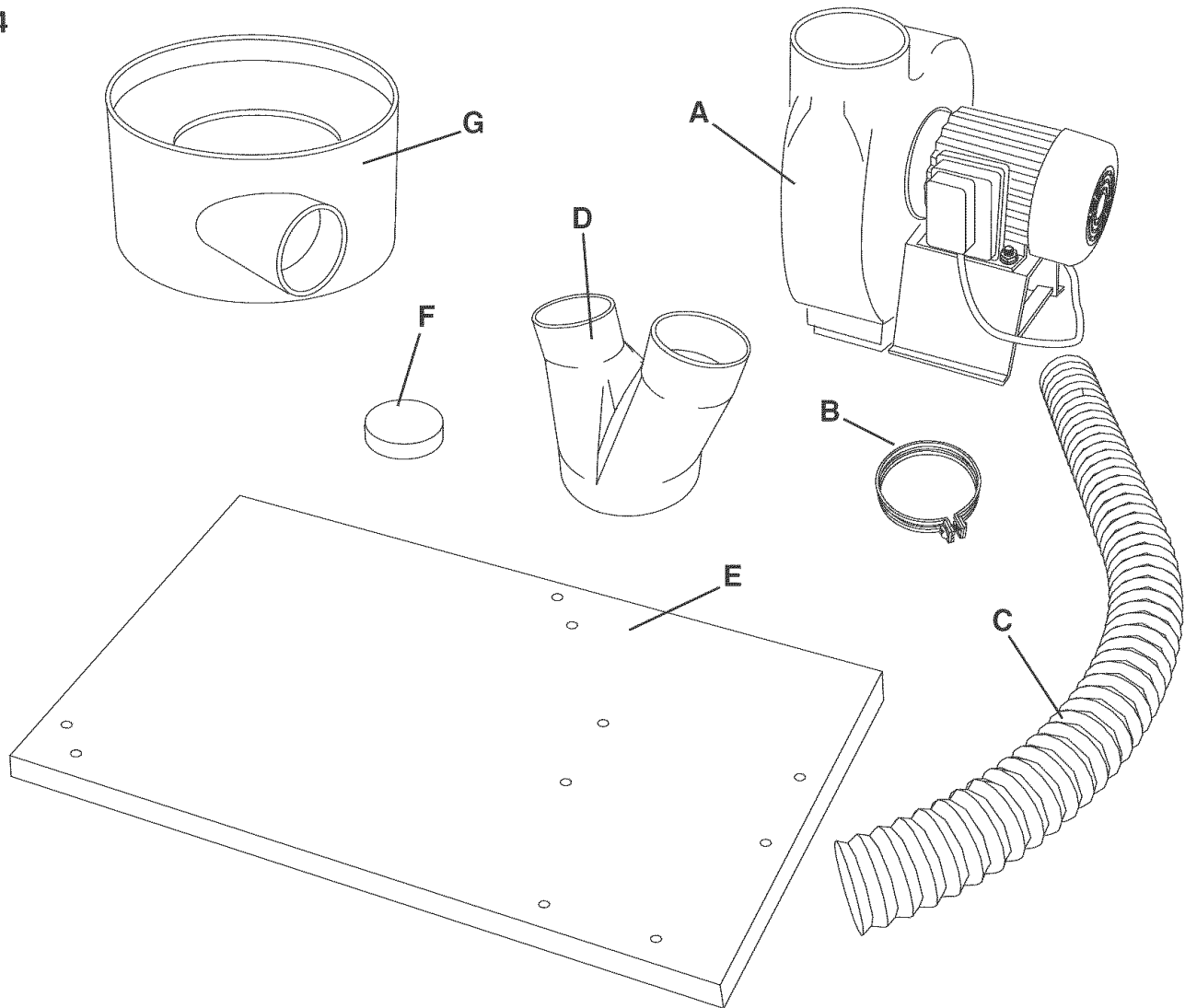
This Dust Collector will require a minimal amount of assembly.

Remove all of the parts from the shipping box and lay them on a clean work surface. Compare the items to Figure 4 and Figure 5, verify that all items are accounted for before discarding the shipping box.

⚠ WARNING

If any parts are missing, do not attempt to plug in the power cord and turn "ON" the Dust Collector. The Dust Collector can only be turned "ON" after all the parts have been obtained and installed correctly.

Fig. 4



A. Blower and motor Assembly

B. 4-inch Hose Clamp

C. 4-inch Diameter Flexible Hose

D. Intake Port

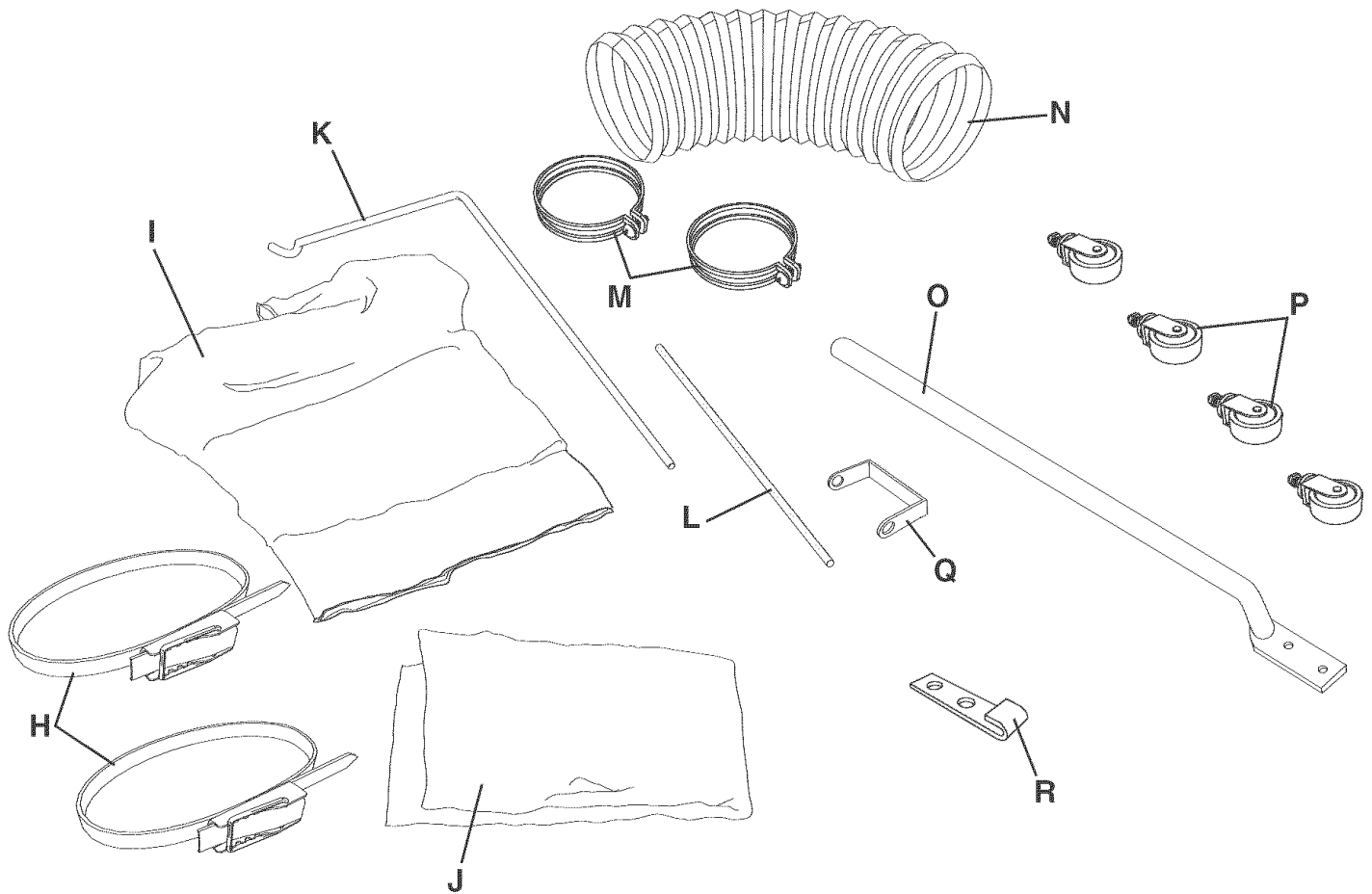
E. Base

F. Intake Port Caps (2)

G. Drum

CARTON CONTENTS (cont.)

Fig. 5



- H. Locking Band (2)
- I. Filter Bag
- J. Collection Bag
- K. Upper Support Rod
- L. Lower Support Rod
- M. 6-inch Hose Clamp (2)
- N. 6-inch Diameter Flexible Hose
- O. Drum Support (3)
- P. Caster Assembly (4)
- Q. U-Bracket
- R. Retaining Clip (4)

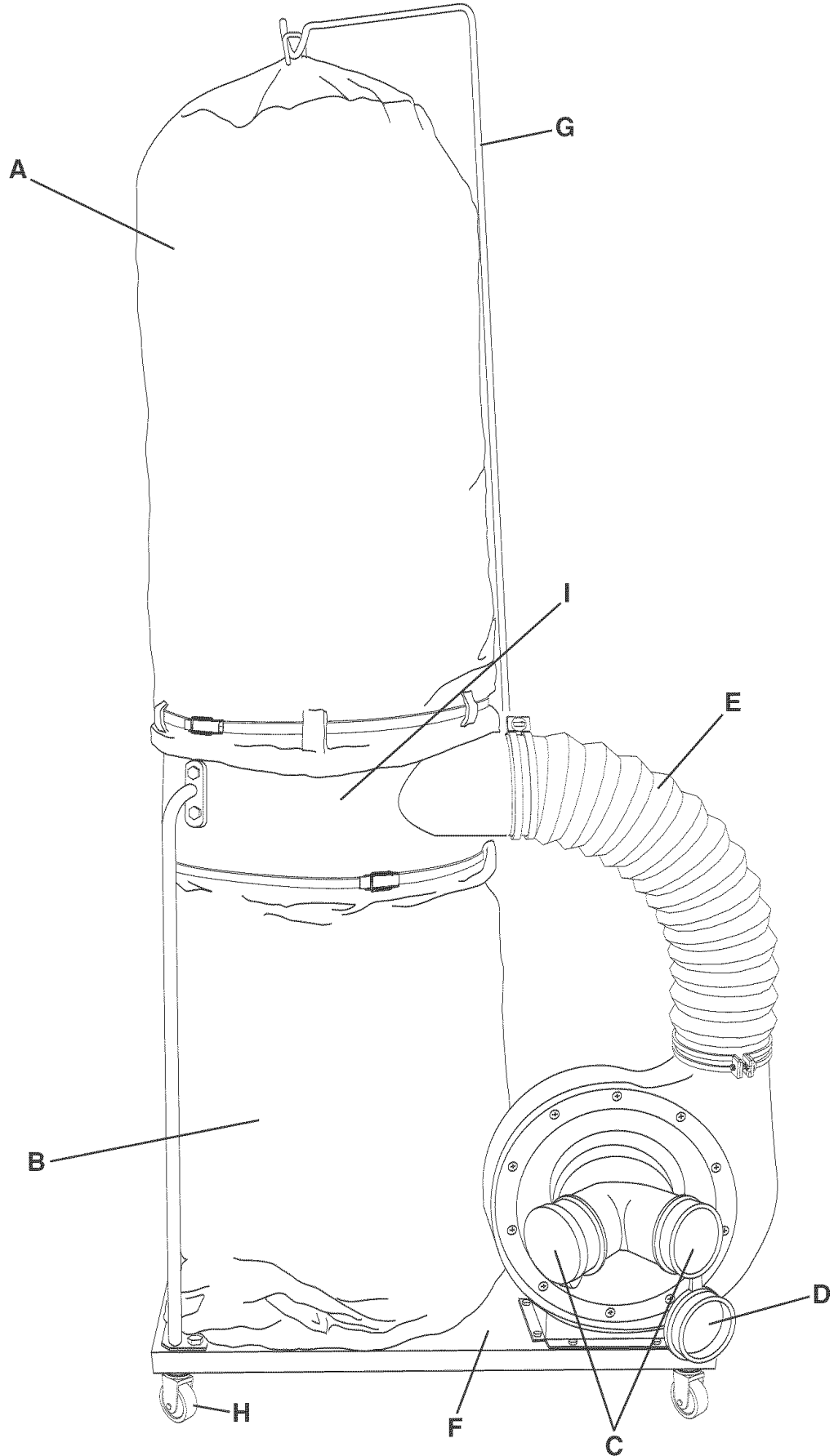
HARDWARE NOT SHOWN

- * 5/16-18 X 5/8" Hex Head Screw (20)
- * 5/16" Lock Washer (24)
- * 5/16-18 Hex Nut (12)
- * 5/16" x 7/8" O. D. Flat Washer (6)
- * 1/4-20 x 5/8" Hex Head Screw (8)
- * 1/4" Lock Washer (8)
- * 1/4-20 Hex Nut (8)
- * M4.2 Sheet Metal Screw (4)

KNOW YOUR DUST COLLECTOR

Fig. 6

- A. Filter Bag
- B. Collection Bag
- C. 4-inch Intake Port
- D. Intake Port Cap
- E. 6-inch Flexible Hose
- F. Base
- G. Support Rod
- H. Caster
- I. Drum



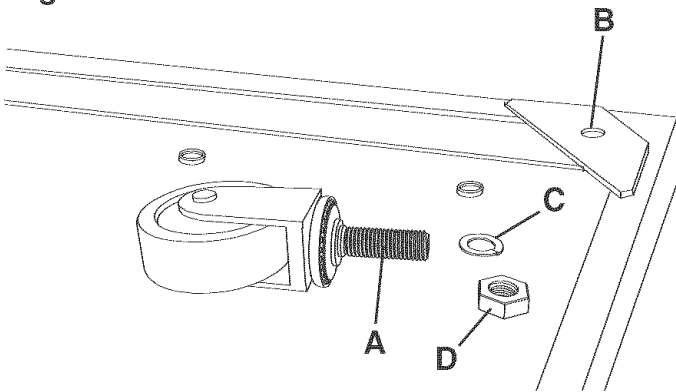
ASSEMBLY INSTRUCTIONS

⚠ WARNING

1. **DO NOT** assemble the Dust Collector until you are sure the tool **IS NOT** plugged in.
2. **DO NOT** assemble the Dust Collector until you are sure the power switch is in the "OFF" position.
2. For your own safety, **DO NOT** connect the machine to the power source until the machine is completely assembled and you read and understand the entire Owner's Manual.

CASTER TO BASE ASSEMBLY

Fig. 7



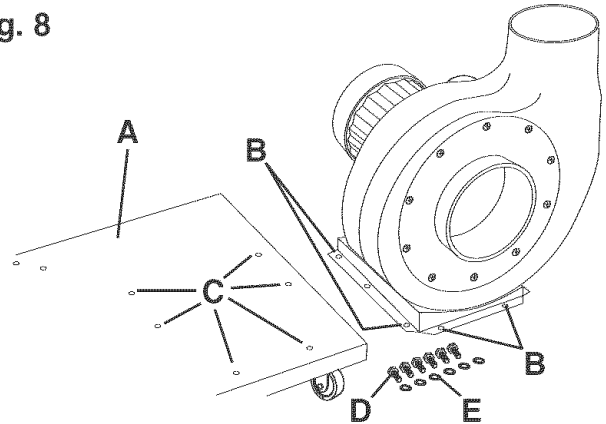
1. Insert threaded rod of caster (A) into the hole located on the underside of base (B) and fasten with 3/8" lock-washer (C) and 3/8-16 hex nut (D). See figure 7.
2. Assemble the remaining three casters to the underside of the base in the same manner.

BLOWER AND MOTOR ASSEMBLY TO BASE ASSEMBLY

⚠ WARNING

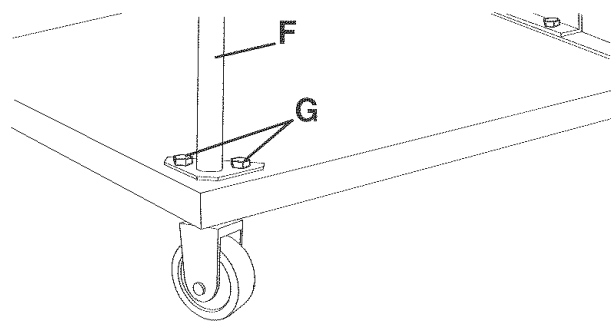
MAKE CERTAIN THE DUST COLLECTOR IS DISCONNECTED FROM THE POWER SOURCE.

Fig. 8



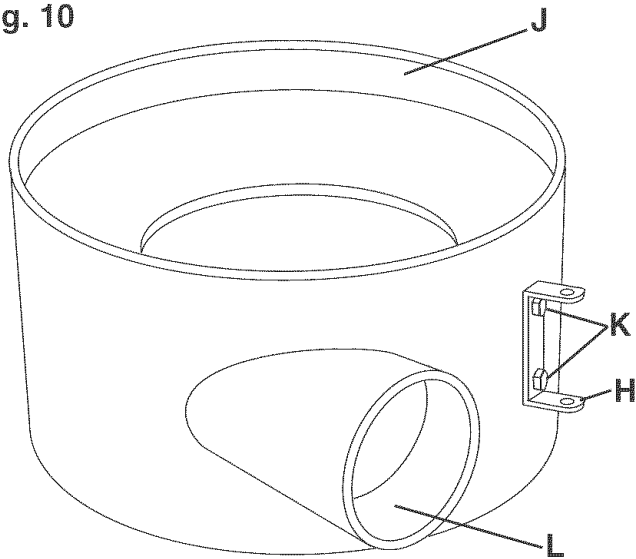
1. Turn base (A) right side up. Align the mounting holes at the base of blower and motor assembly (B) with six pre-drilled holes (C) in base and fasten with six 5/16-18 x 5/8" hex head screws (D) and 5/16" lock washer (E). See figure 8.

Fig. 9



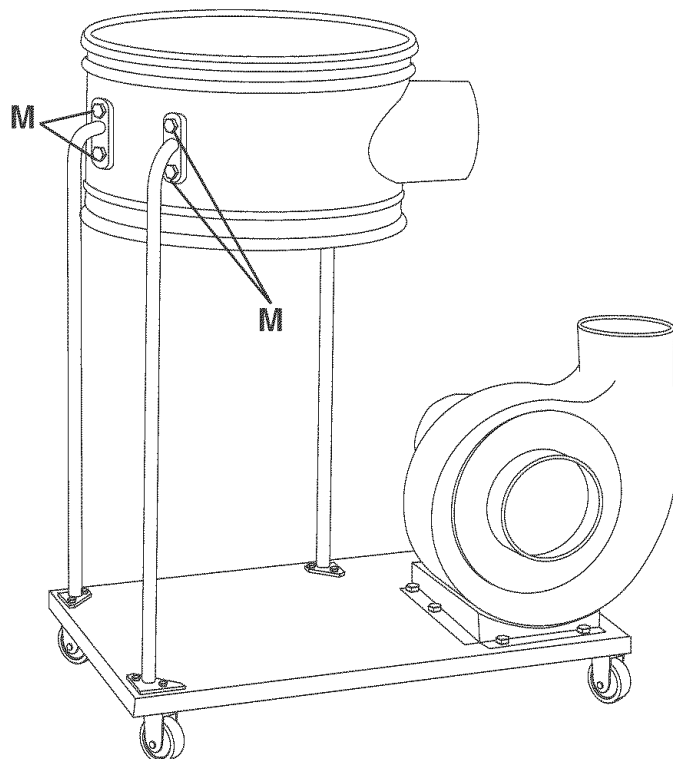
2. Assemble drum support (F) to the two threaded holes in the corner of base with two 5/16-18 x 5/8" hex head screws and 5/16" lock washer (G). **NOTE:** Do not completely tighten hardware at this time. See figure 9.
3. Assemble the remaining drum supports to the base in the same manner. **NOTE:** Do not completely tighten hardware at this time.

Fig. 10



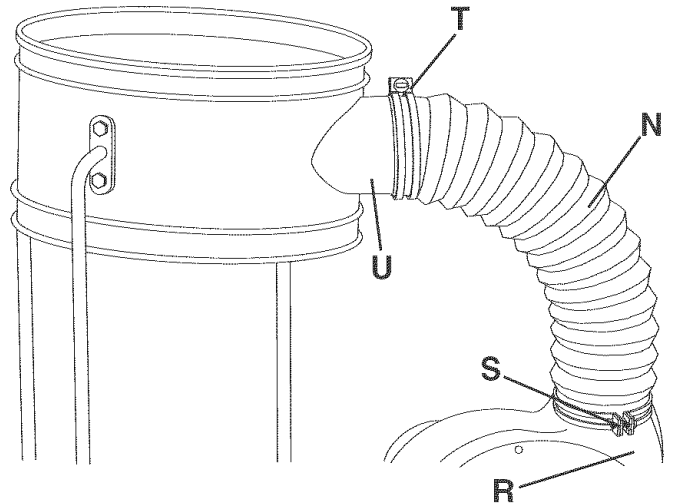
4. Assemble U-Bracket (H) to Drum (J). Place a 5/16" lock washer then a 5/16" flat washer onto a 5/16-18 x 5/8" hex head screw (K) thru the hole in the U-Bracket and the hole in the drum, thread a 5/16" hex nut onto the hex head screw. Repeat this process for the remaining hole and securely tighten both screws. **NOTE:** U-Bracket should be mounted to the right side of opening (L) in the drum as shown. See figure 10.

Fig. 11



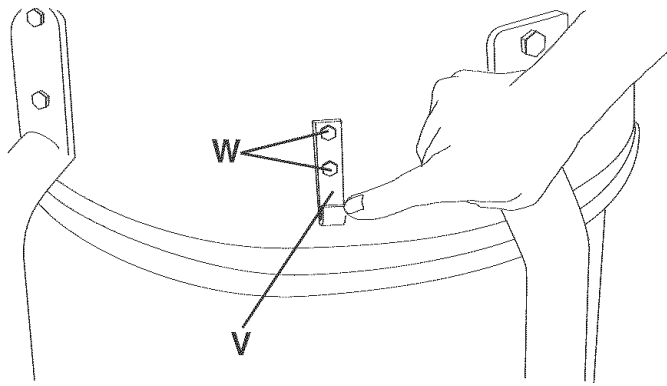
5. Align the holes in the drum support with the holes in the drum (M). Place a 5/16" lock washer on a 5/16-18 x 5/8" hex head screw, then 5/16" flat washer onto the hex head screw. Insert the hex head screw thru the hole in drum support and drum. Thread a 5/16" hex nut onto the hex head screw and tighten securely. See figure 11. Fasten the remaining drum supports to the drum in the same manner.

Fig. 12



6. Place one end of 6-inch diameter flexible hose (N) over blower/motor outlet (R). Slide one 6-inch diameter hose clamp (S) down 6-inch flexible hose and tighten hose clamp to blower/motor outlet. See figure 12.
7. Place the other 6-inch hose clamp (T) over the 6-inch flexible hose. Attach the 6-inch flexible hose to the drum inlet (U) and tighten 6-inch hose clamp. See figure 12.

Fig. 13



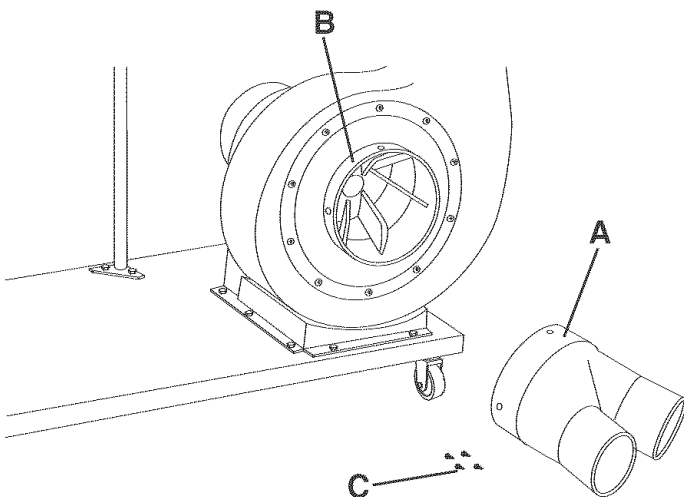
8. Attach the lower dust bag retaining clip (V) to the dust collector drum. Align both holes (W) in the retaining clip with the two holes in the drum. Insert a 1/4-20 x 5/8" hex head screw through each hole in the retaining clip and drum. Place a 1/4" flat washer and 1/4-20 hex nut onto screw inside of the drum. Repeat this process for the other three retaining clips and tighten all hardware. See figure 13.

INTAKE PORT TO BLOWER MOTOR ASSEMBLY

⚠ WARNING

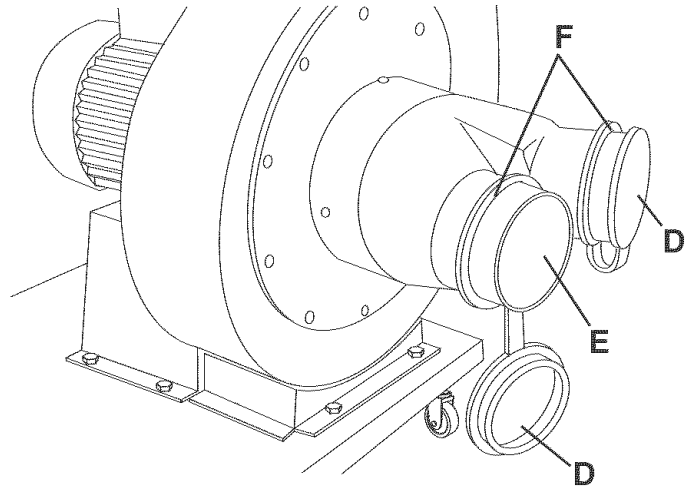
MAKE CERTAIN THE DUST COLLECTOR IS DISCONNECTED FROM THE POWER SOURCE.

Fig. 14



1. Align the four holes in intake port (A) with the mounting holes in flange (B) of blower and motor assembly and fasten with four M4.2 sheet metal screws (C). See figure 14.

Fig. 15



2. Attach one intake port cap (D) to the intake port (E). The intake port caps must be placed into the intake ports when the intakes are not in use. See figure 15.

IMPORTANT: When connecting an intake hose to one or both intake ports, **DO NOT REMOVE THE INTAKE PORT CAP COLLARS (F) FROM THE INTAKE PORTS.** Slide the collar further back when attaching a hose. See figure 15.

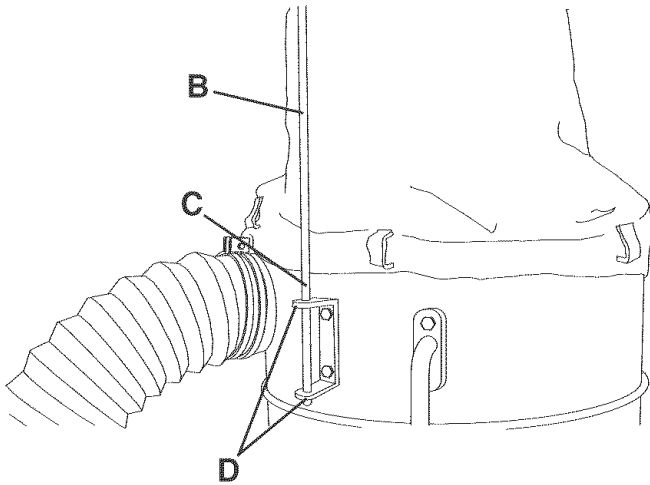
FILTER AND COLLECTION BAG TO DRUM ASSEMBLY

⚠ WARNING

MAKE CERTAIN THE DUST COLLECTOR IS DISCONNECTED FROM THE POWER SOURCE.

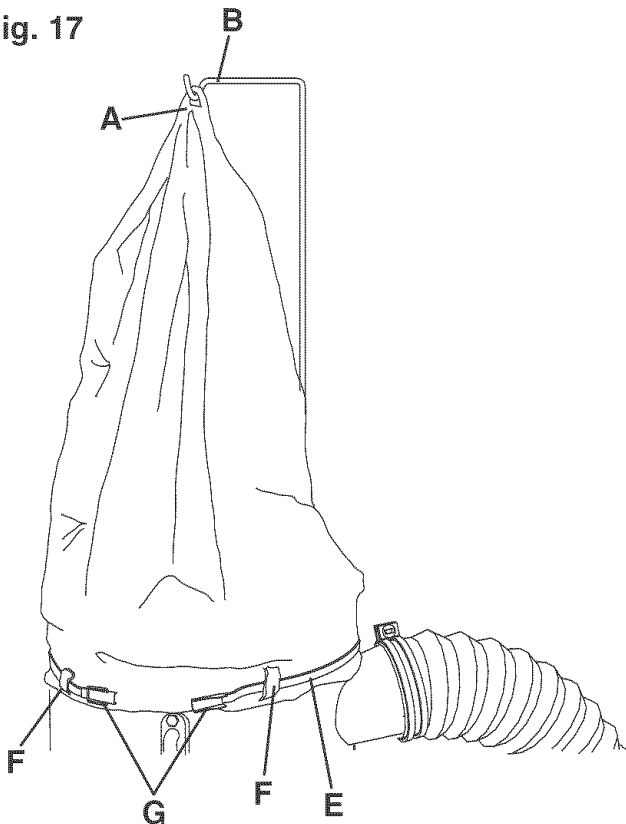
1. Hook the loop (A) on the top filter bag onto hook (B) of the upper support rod. See figure 17.

Fig. 16



2. Slide the lower support rod (C) onto the end of the upper support rod (B). Raise the assembled support rod with filter bag attached and place the end of the lower support rod into the holes of the U-bracket (D). The flared end of lower support rod will prevent the rod from sliding through the U-bracket. See figure 16.

Fig. 17



3. Insert locking band (E) through all the loops of filter bag (F). Position the open end of the filter bag over the top lip of the drum. Make certain the locking band is positioned in the upper recessed channel of the drum and fasten clamp (G) securely to drum. See figure 17.

4. Place the second locking band through all the loops of the collection bag, similar to the filter bag.
5. Place the collection bag over the lower lip of the drum. Pull up on the retaining clips and insert collection bag underneath each retaining clip. Make certain the locking band is positioned in the lower recessed channel of the drum and fasten clamp securely to drum.

FLEXIBLE HOSE TO INTAKE PORT ASSEMBLY

⚠ WARNING

MAKE CERTAIN THE DUST COLLECTOR DISCONNECTED FROM THE POWER SOURCE.

IMPORTANT: When connecting an intake hose to one or both intake ports, **DO NOT REMOVE THE INTAKE PORT CAPS FROM THE INTAKE PORTS.** Slide the collar further back the intake port when attaching a hose.

1. To attach the 4-inch flexible hose to one of the intake ports, pull the intake port cap from the intake port. Slide the collar of the intake port cap further back the intake port and let the cap hang from the intake port.
2. Place 4-inch hose clamp over 4-inch flexible hose. Slide hose over one intake port opened Step 1 above and tighten hose clamp.
3. If you wish to use the second intake port, you should purchase a second 4-inch flexible hose and 4-inch hose clamp and repeat Steps 1 and 2 above.

See your nearest Sears Hardware Department or Sears Power and Hand Tool Catalog for other accessories.

⚠ WARNING

Use only accessories recommended for this Dust Collector. Using other accessories may cause serious injury and cause damage to the Dust Collector.

OPERATING THE DUST COLLECTOR

⚠ WARNING

FOR OPERATOR SAFETY, keep fingers and all foreign objects out of the intake ports. The rotating fan inside the blower housing is accessible through the intake ports and is hazardous. Do not wear loose clothing or jewelry. Make certain that each intake port which is not being used or attached to a dust collection system is covered with an intake port cap.

CONNECTING TOOL TO POWER SOURCE

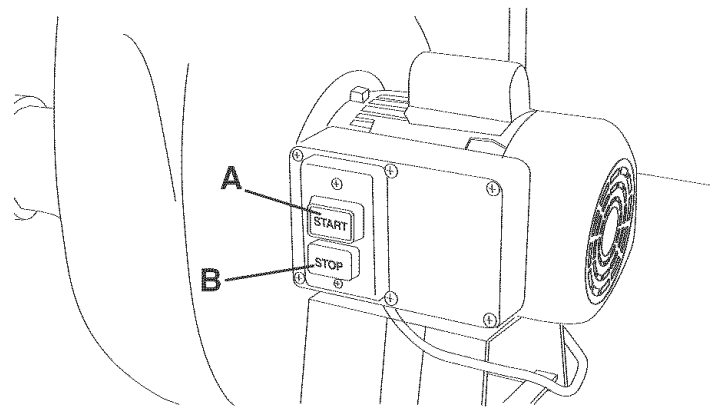
A separate electrical circuit should be used for your tools. This circuit should not be less than #14 A. W. G. wire and should be protected with a 15-amp time lag fuse. Have a qualified electrician repair or replace damaged or worn cord immediately. Before connecting the motor to the power line, make certain the switch is in the "OFF" position and be sure that the electric current is of the same characteristics as stamped on the motor nameplate. All line connections should make good contact. Running on low voltage will damage the motor.

⚠ WARNING

DO NOT EXPOSE THE DUST COLLECTOR TO RAIN OR OPERATE THE MACHINE IN DAMP LOCATIONS.

START/STOP SWITCH

Fig. 18



The START/STOP switch is located on the side of the motor. To turn the dust collector "ON", push the green start button (A). To turn the dust collector "OFF", push the red stop button (B). See figure 18.

LOCKING SWITCH IN THE "OFF" POSITION

When the Dust Collector is not in use, the start button can be locked so that it cannot be started. Using a padlock (included) through the holes in the side of the start button.

CIRCUIT BREAKER

Your dust collector motor is supplied with a resettable circuit breaker. It is located on top of the start/stop switch box on the side of the motor. If the motor shuts off or fails to start due to an overload condition, turn the dust collector "OFF," let the motor cool for three to five minutes, and push the reset button on the circuit breaker to reset the breaker. The motor can then be turned on again in the usual manner.

CHANGING MOTOR VOLTAGE

⚠ WARNING

MAKE CERTAIN THE DUST COLLECTOR IS DISCONNECTED FROM THE POWER SOURCE.

The motor supplied with your Dust Collector is a dual voltage 120/240-volt, single-phase motor. It is shipped wired for 120-volt application. If you choose 240-volt to operate your machine, the following instructions must be followed.

⚠ WARNING

If you are unsure of electrical connections or codes, contact a certified electrician. All local and state codes must be followed.

Refer to **GROUNDING INSTRUCTION** section before proceeding:

1. **DISCONNECT THE DUST COLLECTOR FROM THE POWER SOURCE.**
2. Remove the switch box cover.
3. The motor has four leads. Reconnect the motor leads for chosen voltage, as shown in the wire diagram. See figure 19.
4. The START/STOP switch is a double pole switch. No changes are required for 120/240 volt operation.
5. Replace the plug with the correct plug with ground for voltage required. The new plug must meet all local and state electrical codes.
6. Reassemble switch box cover.

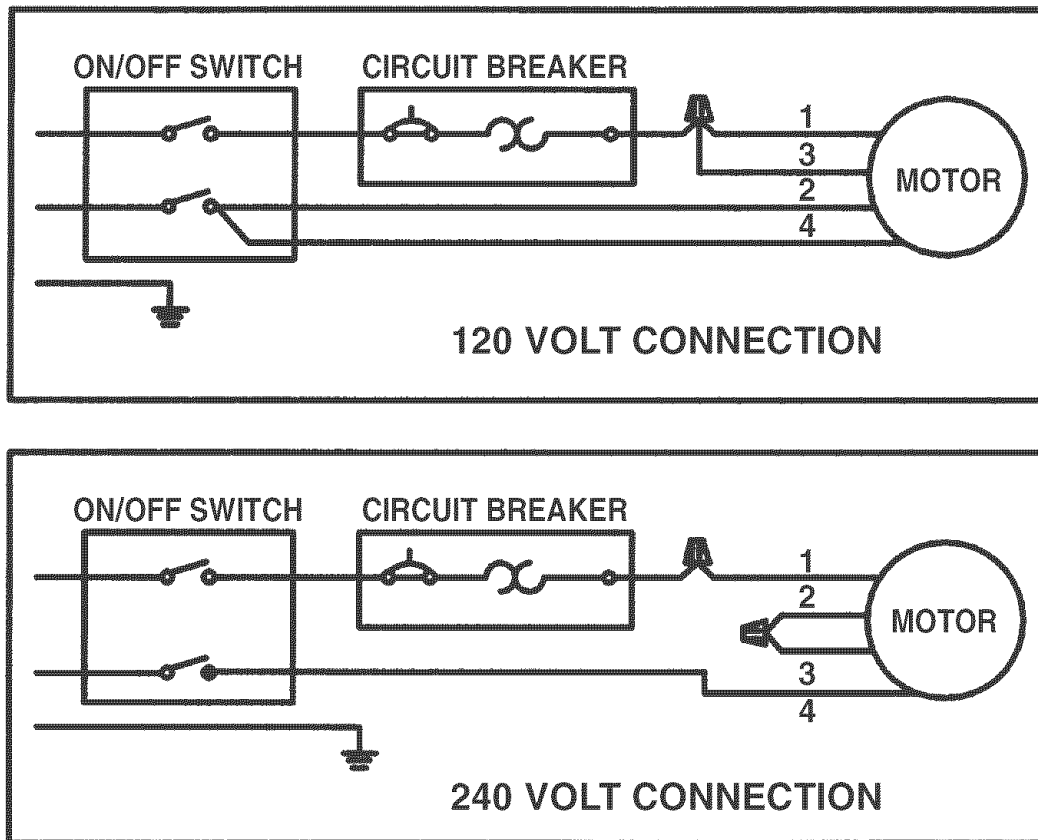
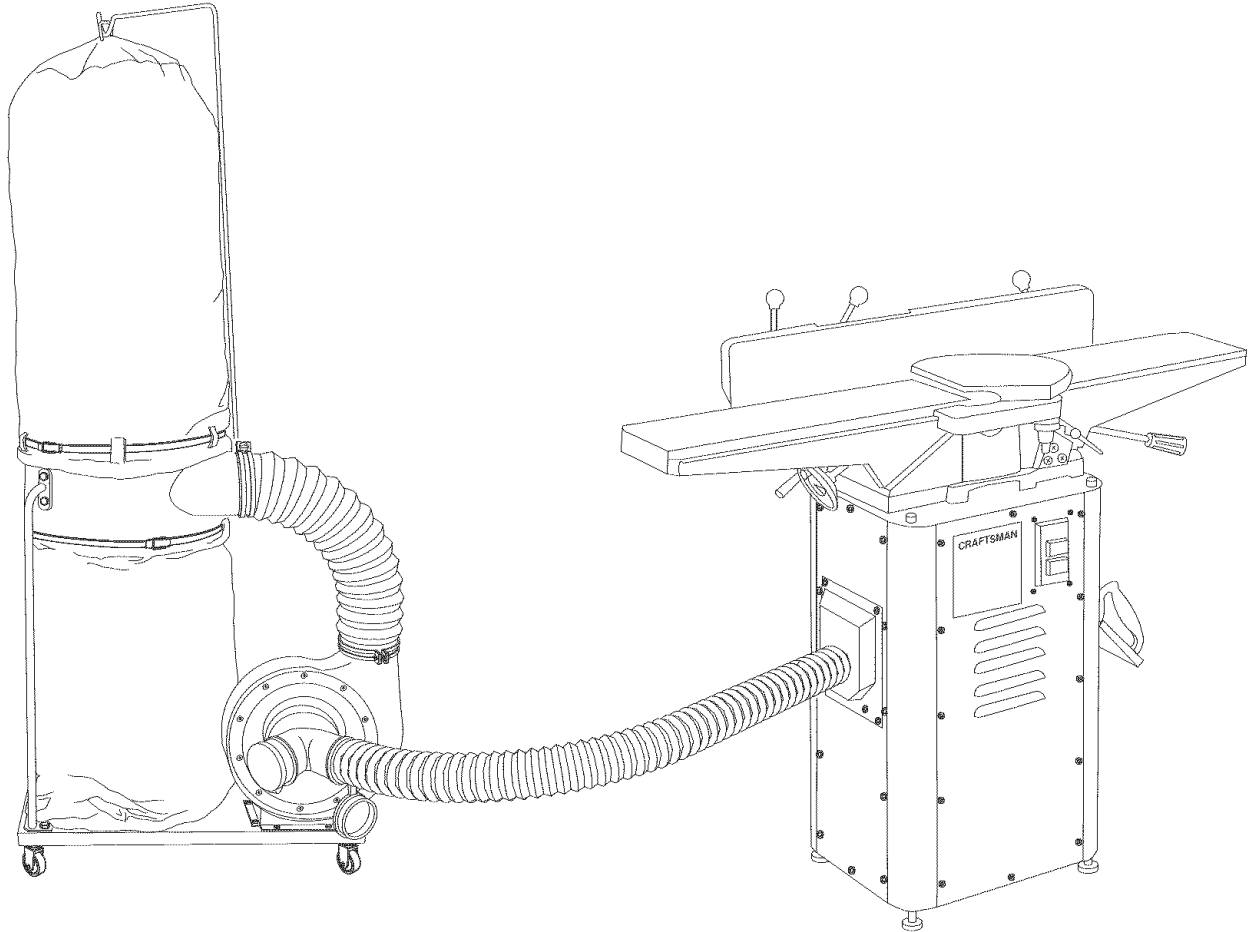


Fig. 19

DUST COLLECTOR IN THE SHOP



Below are some terms that will help you to understand and setup your Dust Collector and design your own Dust Collection System.

Dust Collector – A machine used to collect fine wood dust and chips.

Dust Collection System – A dust collector connected to multiple woodworking machines utilizing various types of hose/pipe and fittings.

C.F.M. = Cubic Feet/Minute – A measurement of the amount of air volume that can move through a dust collector in one minute.

Static Pressure – A measurement of the amount of the resistance to airflow in a dust collection system.

THINGS TO CONSIDER:

- What is the maximum C.F.M. required for each tool you intend to use? Your Dust Collector should be rated for the tool that has the highest C.F.M. requirement.
- Will two or more tools be running at the same time? The Dust Collector should be rated to handle the combined C.F.M. requirements of all operating tools.

HELPFUL HINTS:

- Always run the largest appropriate diameter hose as far as possible. Running a smaller diameter hose will greatly reduce the C.F.M. at the tool, yielding marginal dust collection.
- The use of a low rated micron filter and collection bag can increase the effectiveness of your dust collector in removing fine particles of dust.
- Determine if you are to use your Dust Collector in a Dust Collection System or as a direct hook-up to an individual tool. If used in a Dust Collection System, review Static Pressure Requirements below.

⚠ WARNING

To protect yourself from a static shock, ground the dust collection system to a known ground.

If using the Dust Collector in a Dust Collector System, make certain to:

- Ground the dust collection system to a known ground.
- Always keep blast gates closed to unused tools.
- Make all runs as short as possible, minimizing the number of bends or turns that could greatly reduce the efficiency of your Dust Collector.
- Position the tools that have the highest C.F.M. ratings closest to the Dust Collector.

DUST COLLECTOR IN THE SHOP

C.F.M. REQUIREMENTS FOR TOOLS

<u>Machine</u>	<u>Minimum C.F.M. Required</u>	<u>Minimum Duct Diameter</u>
Band Saw (12 to 16-inch)	350 C.F.M.	4-inch
Belt/Disc Sander	450 C.F.M.	5-inch
Drill Press	350 – 400 C.F.M.	4-inch
Drum Sander (12 to 24-inch)	550 – 700 C.F.M.	5-inch
Floor Sweep	350 – 400 C.F.M.	4 to 5-inch
Jointer (up to 8-inch)	350 – 400 C.F.M.	4 to 5-inch
Jointer (over 8-inch)	450 – 550 C.F.M.	5-inch
Radial Arm Saw	450 – 600 C.F.M.	5-inch
Miter Saw	450 – 600 C.F.M.	5-inch
Router Table	200 C.F.M.	3-inch
Scroll Saw	200 C.F.M.	3-inch
Spindle Sander	400 C.F.M.	4-inch
Table Saw (10-inch)	350 C.F.M.	4-inch
Thickness Planer (10 to 15-inch)	400 C.F.M.	4-inch
Thickness Planer (16 to 20-inch)	600 – 800 C.F.M.	5 to 6-inch

STATIC PRESSURE REQUIREMENTS FOR A DUST COLLECTION SYSTEM

Using **STEPS 1 thru 4** and the “**Static Pressure Requirement Chart**” you can determine the static pressure required for your Dust Collector.

Step #1: Multiply the number of feet of Hose/Pipe times the appropriate inches rating.

Example: 40 feet of 4-inch diameter ribbed tubing x .11 = **4.4 Total**

Step #2: Multiply the fittings times the ratings and add them together.

Example: Two 90-degree Elbows (using 4-inch diameter Hose) = .84 PLUS two 90-degree T-fittings = .98
Total = 1.82

Step #3: Add **2.5** for the Machine Hook-up and “Dirty Bag” factors (1.5 for Hook-ups + 1.0 for Dirty Bag).

Step #4: Total the above three calculations. This total should not exceed the maximum static pressure for your Dust Collector.

Example: 4.4 (Total Step #1) x 1.82 (Total Step #2) + 2.5 (Total Step #3) = **8.72**

For this example a Dust Collector with a Static Pressure rating of over 8.72 or higher is required. See Product Specifications on page 2 for your dust collector maximum static pressure.

NOTE: To determine if you have met the Static Pressure Requirement when using a Dust Collection System, identify the branch of the system with the highest static pressure requirement first. If you run your Dust Collection System with more than one blast gate open, add the static pressure from all branches that are open to determine the total static pressure requirements.

Static Pressure Requirement Chart

Size of Hose	Hose/Pipe Rigid Pipe (per foot)	Ribbed Tubing (per foot)	90-degree Elbow	90-degree Elbow	45-degree T-fitting	Machine Hook-Up	“Dirty Bag” Adjustment
3	.10	.15	.50	.60	.25	1.50	1.0
4	.07	.11	.42	.49	.21	1.50	1.0
5	.055	.08	.49	.55	.25	1.50	1.0

DUST COLLECTOR IN THE SHOP

To purchase any of the Dust Collection Accessories listed below, visit your nearest Sears Store.

Various Fittings:

21340	3-inch Hose Coupling	21341	4-inch Hose Coupling
21363	3-inch 90-degree Elbow	21364	4-inch 90-degree Elbow
21365	3-inch Y-Fitting	21366	4-inch Y-Fitting
21367	3-inch T-Fitting	21368	4-inch T-Fitting

Hose:

21370	3-inch x 10-foot Flexible Hose
21371	3-inch x 25-foot Flexible Hose
21372	4-inch x 10-foot Flexible Hose
21373	4-inch x 25-foot Flexible Hose

Blast Gates

21359	3-inch Blast Gate - Plastic	21360	4-inch Blast Gate - Plastic
21361	3-inch Blast Gate - Aluminum	21362	4-inch Blast Gate - Aluminum

Reducers:

21347	5 to 4-inch Reducer	21348	4 to 3-inch Reducer
21349	4 to 2-1/2-inch Reducer	21351	3 to 2-1/2-inch Reducer
21352	3 to 2-inch Reducer	21353	2-1/2 to 1-1/2-inch Reducer

Hose Clamps (Qty 2 per Pack)

21354	2-inch Hose Clamp	21355	2-1/2-inch Hose Clamp
21356	3-inch Hose Clamp	21357	4-inch Hose Clamp
21358	5-inch Hose Clamp		

Dust Hoods:

21342	Jointer Dust Hood, 8-1/4" x 8-1/4" x 4" Diameter
21343	Jointer Dust Hood, 10-1/4" x 8-1/2" x 4" Diameter
21344	Table Saw Dust Hood, 12-1/4" x 12-1/4" x 4" Diameter
21345	Table Saw Dust Hood, 14" x 14" x 4" Diameter
21346	Universal Dust Hood, 6-1/4" x 6-1/4" x 4" Diameter

Floor Sweep:

21369	Floor Sweep
-------	-------------

Kits:

21350	Wall Mounting Kit	(contains: 6 - wall clamps, 12-screws & 12-anchors)
21375	Dust Collector Accessory Kit	(contains: 2-#21372, 1-#21344, 1-#21342, 1-#21346, 4-#21360, 1-#21369, 1-#21366, 1-#21350 & 5-#21357)

MAINTENANCE OF THE DUST COLLECTOR

⚠ WARNING

Turn the power switch "OFF" and unplug the power cord from its power source prior to any maintenance. Always make sure that the intake port caps covers the intake port when a hose is not connected to the dust collector.

air may damage insulation. The operator should always wear eye protection when using compressed air.

Do not allow chips and dust to accumulate under dust collector. Keep area clean and in safe order.

LUBRICATION

The Dust Collector has sealed lubricated bearings in the motor housing that does not require any additional lubrication from the operator.

CAUTION: DO NOT USE FLAMMABLE MATERIALS to clean Dust Collector.

⚠ WARNING

Repairs to the Dust Collector should be performed by trained personnel only. Contact your nearest Sears Service Center for authorized service. Unauthorized repairs or replacement with non-factory parts could cause serious injury to the operator and damage to the Dust Collector.

CLEANING

With the Dust Collector unplugged, blow off motor with low pressure air to remove dust or dirt. Air pressure above 50 P. S. I. should not be used as high-pressured

TROUBLESHOOTING GUIDE

TO PREVENT INJURY TO YOURSELF or damage to the Dust Collector, turn the switch to the "OFF" position and unplug the power cord from the electrical receptacle before making any adjustments.

PROBLEM	LIKELY CAUSE(S)	SOLUTION
Motor does not start	<ol style="list-style-type: none"> 1. Switch not pressed in far enough or switch in the "OFF" position 2. Defective switch 3. Defective capacitor 4. Low line voltage 5. Defective motor 	<ol style="list-style-type: none"> 1. Depress switch in 1/2 inch or make sure switch is in the "ON" position. 2. Have switch replaced. 3. Have capacitor replaced. 4. Correct low line voltage condition. 5. Have motor replaced/repaired. <p>NOTE: 2, 3 and 4 must be done by a qualified service technician; Contact Sears service.</p>
Motor stalls (resulting in blown fuses or tripped circuit breakers)	<ol style="list-style-type: none"> 1. Circuit overload 2. Low line voltage 3. Chips or debris clogged impeller. 4. Motor overload 5. Incorrect fuses on circuit breakers 6. Short circuit in motor; loose connections or worn insulation on lead wires 	<ol style="list-style-type: none"> 1. Reduce circuit load 2. Correct low line voltage condition. 3. Clean all hoses, bags and blower housing of chips and debris. 4. Reduce load on motor. 5. Have correct fuses on circuit breakers installed. 6. Inspect terminals in motor for damaged insulation and shorted wires and have them replaced.
Motor starts slowly or fails to come to full speed	<ol style="list-style-type: none"> 1. Defective motor windings 2. Defective capacitor 	<ol style="list-style-type: none"> 1. Have motor replaced/repaired. 2. Have capacitor replaced.
Motor running too hot	<ol style="list-style-type: none"> 1. Restricted air circulation due to dust accumulation. 2. Motor overload 	<ol style="list-style-type: none"> 1A. Clean dust and restore normal air circulation. 1B. Empty and clean filter and collection bags. 2. Reduce load on motor.
Frequent opening of fuse or circuit breakers	<ol style="list-style-type: none"> 1. Fuses or circuit breakers do not have sufficient capacity 2. Circuit overloaded 3. Motor overload 	<ol style="list-style-type: none"> 1. Have correct fuses or circuit breakers installed. 2. Reduce circuit load (turn off other appliances). 3. Reduce load on motor.

PARTS

DUST COLLECTOR PARTS LIST

MODEL NO.152.213371

⚠ WARNING

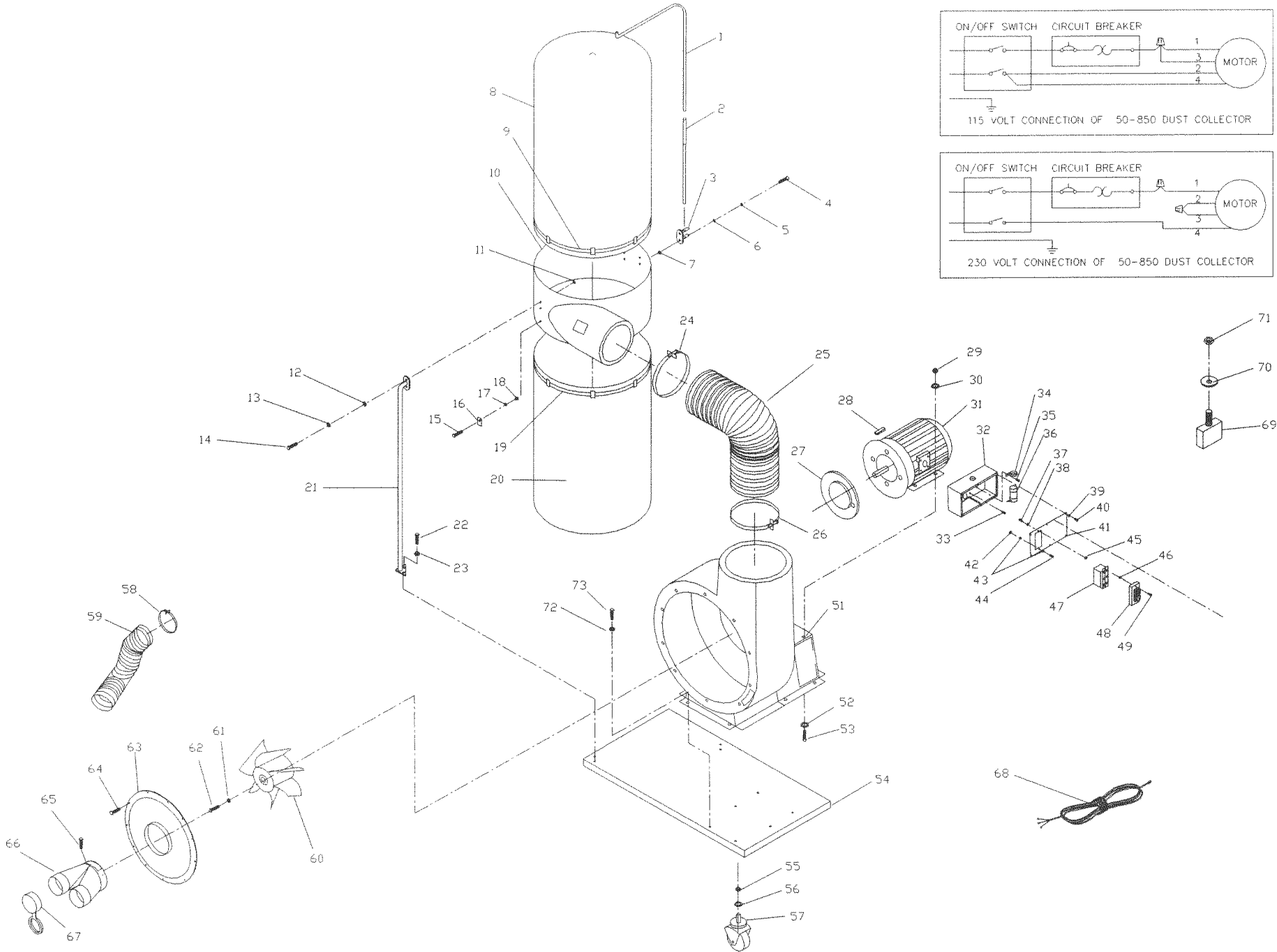
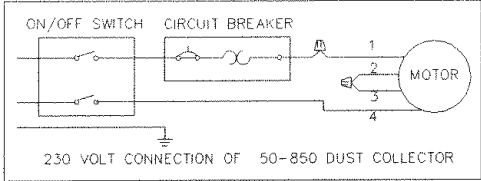
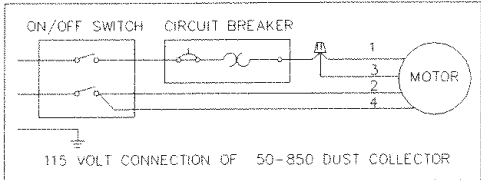
When servicing, use only CRAFTSMAN replacement parts. Use of any other parts may create a **HAZARD** or cause product damage.

⚠ WARNING

Any attempt to repair or replace electrical parts on this Dust Collector may create a **HAZARD** unless repair is done by a qualified service technician. Repair service is available at your nearest Sears Service Center.

Always order by PART NUMBER, not by key number.

Key No.	PART No.	Description	Qty.	Key No.	PART No.	Description	Qty.
1	OR90672	UPPER HANGER (COLOR: PANTONE 877)	1	40	OR90685	PAN HEAD SCREW M4.2 X 10MM	6
2	OR90673	LOWER HANGE (COLOR: PANTONE 877)	1	41	OR90690	SWITCH PLATE (COLOR: BLACK)	1
3	OR90674	U-BRACKET (COLOR: PANTONE 877)	1	42	OR90374	HEX NUT #10-24	1
4	STD523106	HEX HEAD SCREW 5/16-18 X 5/8"	2	43	OR90689	EXT TOOTH WASHER 3/16"	2
5	OR90615	LOCK WASHER 5/16"	2	44	STD511003	PAN HEAD SCREW #10-24 X 3/8"	1
6	STD551031	FLAT WASHER 5/16"	2	45	OR90692	HEX NUT #6-32	2
7	STD541031	HEX NUT 5/16-18	2	46	OR90693	SPACER	2
8	OR65979	FILTER BAG, 30 MICRON	1	47	OR90694	SWITCH	1
9	OR90675	BAND CLAMP	1	48	OR90695	SWITCH COVER ASSEMBLY	1
*10	OR90676	DRUM ASSEMBLY (COLOR: PANTONE 877) INCLUDES: 1-OR90677, 2-OR90608 & 1-OR90601	*1	49	OR90696	ROUND HEAD SCREW #6-32	2
11	STD541031	HEX NUT 5/16-18	2	50	OR93766	SPEC LABEL	1
12	STD551031	FLAT WASHER 5/16"	2	*51	OR90697	BLOWER HOUSING ASSEMBLY (COLOR: PANTONE 877) INCLUDES: 1-OR90698, 1-OR90600 & 1-OR90612	*1
13	OR90615	LOCK WASHER 5/16"	2	52	OR90615	LOCK WASHER 5/16"	6
14	STD523106	HEX HEAD SCREW 5/16-18 X 5/8"	2	53	OR90635	HEX HEAD SCREW 5/16-18 X 5/8"	6
15	STD522506	HEX HEAD SCREW 1/4-20 X 5/8"	8	54	OR90699	BASE (COLOR: BLACK)	1
16	OR90706	RETAINING CLIP	4	55	STD541037	HEX NUT 3/8-16	4
17	STD551025	FLAT WASHER 1/4"	8	56	OR90647	LOCK WASHER 3/8"	4
18	STD541025	HEX NUT 1/4-20	8	57	OR90700	SWIVEL CASTER	4
19	OR90675	BAND CLAMP	1	58	OR65935	4" HOSE CLAMP	2
20	OR90713	COLLECTION BAG, 30 MICRON	1	59	OR90717	4" DIA. X 6' FLEXIBLE HOSE	1
21	OR90705	DRUM SUPPORT (COLOR: PANTONE 877)	3	60	OR90701	IMPELLER	1
22	STD523106	HEX HEAD SCREW 5/16-18 X 5/8"	6	61	STD551031	FLAT WASHER 5/16"	1
23	OR90615	LOCK WASHER 5/16"	6	62	STD523107	HEX HEAD SCREW 5/16-18 X 3/4"	1
24	OR90678	6" HOSE CLAMP	1	63	OR90702	COVER (COLOR: PANTONE 877)	1
25	OR90707	6" FLEXIBLE HOSE	1	64	OR90716	PAN HEAD SCREW M4.2 X 12mm	10
26	OR90678	6" HOSE CLAMP	1	65	OR90716	PAN HEAD SCREW M4.2 X 12mm	4
27	OR90708	GASKET	1	*66	OR90703	INTAKE ASSEMBLY (COLOR: PANTONE 877) INCLUDES: 1-OR90704 & 1-OR90601	*1
28	OR90709	MOTOR SHAFT KEY 5mm X 5mm X 27mm	1	67	OR90650	INTAKE PORT CAP	2
29	STD541031	HEX NUT 5/16-18	4	68	OR90711	CORD	1
30	STD551031	FLAT WASHER 5/16"	4	69	OR90712	CIRCUIT BREAKER	1
31	OR90710	MOTOR ASSEMBLY (COLOR: BLACK)	1	70	OR90726	CIRCUIT BREAKER LABEL	1
32	OR90682	SWITCH BOX (COLOR: BLACK)	1	71	OR90715	SPECIAL NUT	1
33	OR90683	CHEESE HEAD SCREW M5 X 20MM	4	72	OR90615	LOCK WASHER 5/16"	6
34	OR90684	CLAMP	1	73	STD523106	HEX HEAD SCREW 5/16-18 X 5/8"	6
35	OR90685	PAN HEAD SCREW M4.2 X 10MM	1	74	OR90718	PADLOCK WITH 2 KEYS (NOT SHOWN)	1
36	OR90686	CAPACITOR 200uf	1	N/A	OR9376	OWNER'S MANUAL FOR MODEL #213371 (NOT SHOWN)	1
37	OR90687	PAN HEAD SCREW #6-32 X 5/16"	2				
38	OR90688	EXT TOOTH WASHER #6	2				
39	OR90689	EXT TOOTH WASHER 3/16"	6				



◆ NOTES ◆

◆ NOTES ◆

Manual del Propietario

CRAFTSMAN®

PROFESSIONAL

1-1/2 caballos de fuerza (servicio continuo)
2.1 caballos de fuerza (máximo desarrollado)
1200 C.F.M. (pies cúbicos por minuto)
3450 R.P.M. (R.P.M. sin carga)

COLECTOR DE POLVO

No. de Modelo
152.213371



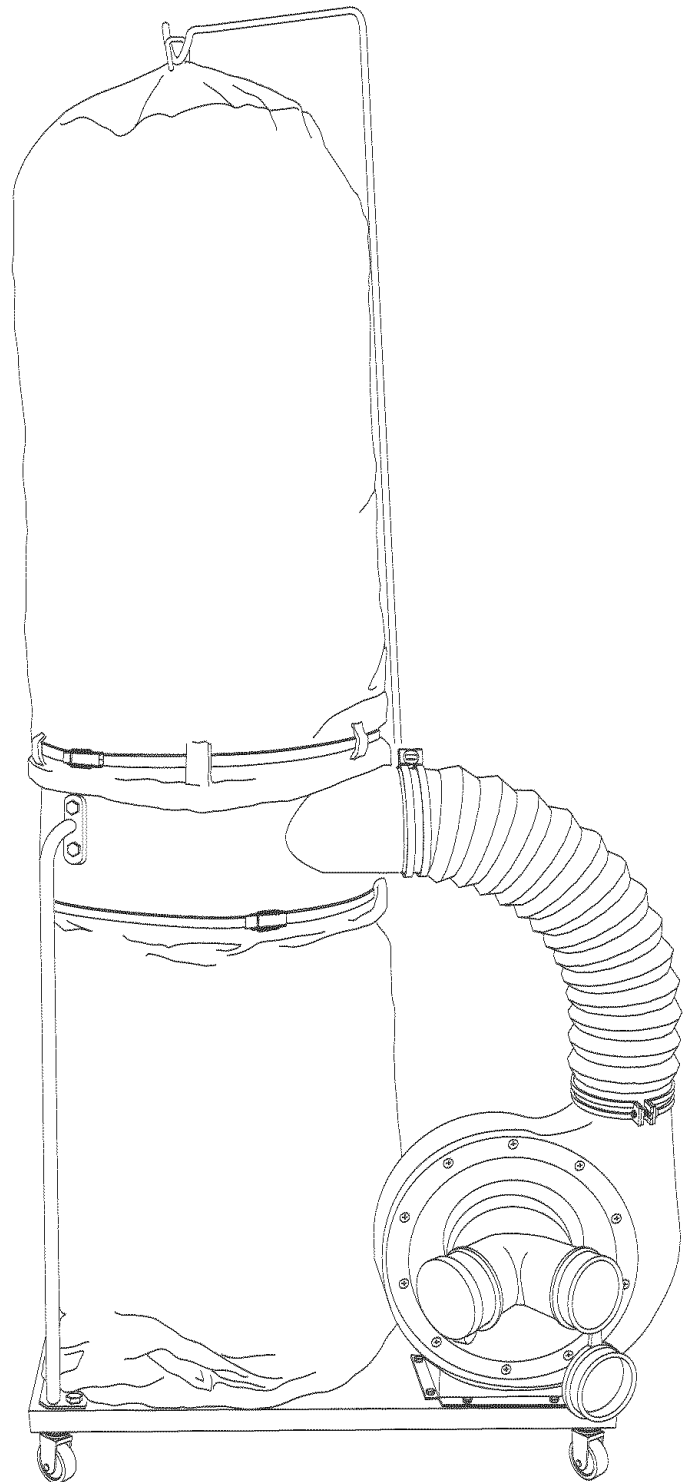
PRECAUCIÓN:

PARA SU SEGURIDAD PERSONAL:
Lea y obedezca todas las
Instrucciones de Seguridad y
Funcionamiento antes de accionar
este Colector de Polvo.

Línea de Ayuda al Cliente

1-800-897-7709

Sírvase tener listo su No. de
Modelo y No. de Serie



Sears, Roebuck and Co., Hoffman Estates, IL 60179 U.S.A.

No. de Pieza OR93765

TABLA DE MATERIAS

SECCION	PAGINA
Garantía.....	2
Especificaciones del Producto.....	2
Instrucciones de Seguridad.....	3
Instrucciones de Conexión a Tierra.....	5
Instrucciones de Seguridad Específicas para los Colectores de Polvo.....	6
Accesorios y Aditamentos.....	7
Contenido de la Caja.....	8
Conozca su Colector de Polvo.....	10
Instrucciones de Montaje.....	11
Accionando el Colector de Polvo.....	15
Colector de Polvo en el Taller.....	17
Mantenimiento.....	20
Guía de Localización de Averías.....	20
Listado de Piezas.....	21
Información de Servicio.....	Contraportada

GARANTIA

GARANTÍA COMPLETA DE UN AÑO PARA LAS HERRAMIENTAS CRAFTSMAN

Si esta herramienta Craftsman llegase a fallar debido a defectos materiales o de elaboración dentro de un año a partir de la fecha de compra, LLAME AL 1-800-4-MY-HOME ® (en EE.UU.) PARA COORDINAR LA REPARACIÓN GRATUITA.

Esta garantía se aplica sólo mientras que esta herramienta se encuentre en los Estados Unidos.

Esta garantía le concede derechos legales específicos, y también podrá tener otros derechos que varían de un estado al otro.

Sears Roebuck and Co., Dept. 817 WA, Hoffman Estates, IL 60179

ESPECIFICACIONES DEL PRODUCTO

Motor de Inducción	
HP (CF) de servicio continuo	1-1/2
HP (CF) máximo desarrollado	2.1
Amperios	12/6
Voltios	120/240
Hertzios	60
RPM	3450 R.P.M. (R.P.M. sin carga)
Tope Estándar de la Bolsa	30 micras
Fondo Estándar de la Bolsa	30 micras
Manguera de Recolección	Manguera flexible de 4 pulg.
C.F.M. (pies cúbicos por minuto) máximo	1200
Presión estática máxima en pulgadas de agua	12
Capacidad de la Bolsa de Filtro	6 pies cúbicos
Capacidad de la Bolsa de Recolección	6 pies cúbicos

⚠ ADVERTENCIA

Utilice la protección correcta de circuitos para evitar los choques eléctricos contra su persona y el daño al Colector de Polvo. No la exponga a la lluvia ni tampoco haga uso de ella en entornos húmedos.

El Colector de Polvo está cableado de fábrica para un funcionamiento a 120 V, 60 Hz. Conéctela a un circuito de derivación de 120 V, 15 amperios y utilice un fusible o disyuntor de circuitos de retardación de 15 amperios. El circuito eléctrico no puede tener un tamaño de cable menor de #14. Reponga el cordón de energía inmediatamente si se daña en cualquier manera para evitar los choques o incendios.

INSTRUCCIONES DE SEGURIDAD


INSTRUCCIONES GENERALES DE SEGURIDAD

El funcionamiento de un Colector de Polvo puede resultar peligroso si se hace caso omiso de la seguridad y del sentido común. El operario debe estar familiarizado con el funcionamiento de la herramienta. Lea este manual para entender su Colector de Polvo. **NO OPERE** este Colector de Polvo si no entiende cabalmente las limitaciones de dicha herramienta. **NO** realice modificaciones de cualquier tipo a este Colector de Polvo. **RECUERDE:** Usted es responsable de su propia seguridad.

ANTES DE UTILIZAR EL COLECTOR DE POLVO

⚠️ ADVERTENCIA

Para evitar las heridas graves y el daño a la herramienta, lea y obedezca todas las instrucciones de Seguridad y Operación antes de operar el Colector de Polvo.

1. **LEA** a consciencia el Manual del Propietario. **APRENDA** cómo hacer uso de esta herramienta para sus aplicaciones diseñadas.
 2. **CONECTE TODAS LAS HERRAMIENTAS A TIERRA.** Si la herramienta se suministra con un enchufe de 3 machos, se le debe enchufar a un tomacorrientes que disponga de 3 contactos eléctricos. El tercer macho se utiliza para conectar la herramienta a tierra y ofrecer protección contra los choques eléctricos accidentales. **NO** quite el tercer macho. Vea las Instrucciones de Conexión a Tierra.
 3. **EVITE UN ENTORNO LABORAL PELIGROSO. NO** utilice las herramientas eléctricas en un entorno húmedo, ni tampoco las exponga a lluvia.
 4. **NO** utilice herramientas eléctricas si hay gases o líquidos inflamables presentes.
 5. **MANTENGA SIEMPRE** su zona de trabajo limpia, bien alumbrada y organizada. **NO TRABAJE** en un entorno con superficies de piso resbalosas a consecuencia de los escombros, la grasa y la cera.
 6. **MANTENGA ALEJADOS A LOS NIÑOS Y VISITANTES. NO** permita que haya personas en la zona inmediata de trabajo, particularmente cuando la herramienta eléctrica se encuentre en funcionamiento.
 7. **NO FUERCE LA HERRAMIENTA** a realizar operaciones para las cuales no fue diseñada. Realizará una labor más segura y de mejor calidad si se le utiliza solamente para realizar operaciones para las cuales fue diseñada.
 8. **UTILICE VESTIMENTA APROPIADA. NO** vista ropa holgada, guantes, corbatas ni artículos de joyería. Estos artículos pueden quedar atrapados en la máquina durante las operaciones y tirar del operario, atrayéndolo hacia las piezas en movimiento. El usuario debe llevar una cubierta protectora sobre el cabello, si tiene cabellera larga, para impedir el contacto con cualquier pieza en movimiento.
 9. **UTILICE PROTECCION OCULAR SIEMPRE.** Cualquier herramienta mecánica puede expulsar escombros hacia los ojos durante las operaciones, causando daño ocular grave y permanente. Los anteojos de uso cotidiano **NO** son gafas de seguridad. Utilice gafas de seguridad **SIEMPRE** (que cumplan con la normativa Z87.1 de ANSI) cuando vaya a operar herramientas mecánicas. Las gafas de seguridad están disponibles en las tiendas de Ventas al Detal de Sears.
- 

10. **UTILICE PROTECCIÓN AUDITIVA SIEMPRE.** El algodón por sí solo no constituye un dispositivo de protección aceptable. El equipo auditivo debe cumplir con las normativas S3.19 de ANSI.
11. **SIEMPRE DESENCHUFE LA HERRAMIENTA DEL TOMACORRIENTES** cuando vaya a realizar ajustes, cambiar piezas o realizar cualquier clase de mantenimiento.
12. **MANTENGA LOS ESCUDOS DE PROTECCION EN SU SITIO Y EN BUEN ESTADO DE FUNCIONAMIENTO.**
13. **EVITE EL ARRANQUE ACCIDENTAL.** Asegúrese de que el interruptor de potencia se encuentre en la posición de "APAGADO" antes de enchufar el cordón de potencia en el tomacorrientes.
14. **QUITE TODAS LAS HERRAMIENTAS DE MANTENIMIENTO** de la zona inmediata antes de encender la herramienta.
15. **SOLO UTILICE ACCESORIOS RECOMENDADOS.** El uso de accesorios incorrectos o poco apropiados puede ocasionar heridas graves al operario y ocasionar daño a la herramienta. Si tiene dudas, consulte el manual de instrucciones que se adjunta con el accesorio específico.
16. **JAMAS DEJE UNA HERRAMIENTA EN FUNCIONAMIENTO SIN ATENDER.** Conmute el interruptor de energía a la posición de apagado. **NO** abandone la herramienta hasta que esta se haya detenido por completo.
17. **NO SE PARE SOBRE LA HERRAMIENTA.** Pueden producirse heridas graves si la herramienta se vuelca o si usted hace contacto con la herramienta accidentalmente.
18. **NO ALMACENE** nada por encima ni cerca de la máquina en donde alguien pueda intentar pararse en la herramienta para alcanzarlo.
19. **MANTENGA SU EQUILIBRIO. NO** se extienda sobre la herramienta. Haga uso de zapatos con suela de caucho resistente al aceite. Mantenga el piso libre de escombros, grasa o cera.
20. **MANTENGA SUS HERRAMIENTAS CUIDADOSAMENTE.** Mantenga sus herramientas limpias y en buen estado. Mantenga afiladas todas las hojas y brocas.

INSTRUCCIONES DE SEGURIDAD (cont.)

21. **REVISE SI HAY PIEZAS DAÑADAS ANTES DE CADA USO DE LA HERRAMIENTA.** Revise todos los protectores cuidadosamente para comprobar que funcionan correctamente y que no están dañados, y que realizan sus funciones diseñadas correctamente. Revise el alineamiento, la fijación o la ruptura de las piezas en movimiento. Cualquier protector u otra pieza que se encuentre dañada debe repararse o reemplazarse inmediatamente.
22. **HAGA SU TALLER A PRUEBA DE NIÑOS** quitando las llaves del interruptor, desenchufando las herramientas de los tomacorrientes, y mediante el uso de candados.
23. **NO OPERE LA HERRAMIENTA BAJO LA INFLUENCIA DE LAS DROGAS O DEL ALCOHOL.**
24. **AFIANCE TODO EL MATERIAL.** Siempre que resulte posible, utilice abrazaderas o plantillas para asegurar el material. Esto ofrece mayor seguridad que intentar sujetar el material con sus propias manos.
25. **MANTENGASE ALERTA, ESTE CONSCIENTE DE LO QUE HACE, Y UTILICE SENTIDO COMUN CUANDO VAYA A OPERAR UNA HERRAMIENTA ELECTRICA. NO UTILICE LA HERRAMIENTA SI ESTA CANSADO O BAJO LA INFLUENCIA DE DROGAS, ALCOHOL O MEDICAMENTOS.** Un momento de descuido durante el uso de herramientas eléctricas puede resultar en lesiones personales graves.
26. **UTILICE SIEMPRE UNA CARETA CONTRA EL POLVO PARA EVITAR ASPIRAR POLVOS PELIGROSOS O PARTÍCULAS EN EL AIRE,** incluyendo polvo e madera, polvo de sílice cristalino y polvo de asbesto. Dirija las partículas en dirección opuesta al rostro y el cuerpo. Opere la herramienta siempre en una zona bien ventilada y proporcione la remoción apropiada del polvo. Utilice un sistema de recolección de polvo siempre que sea posible. La exposición al polvo puede ocasionar daños respiratorios graves y permanentes u otras heridas, incluyendo silicosis (una enfermedad pulmonar grave), cáncer y la muerte. Evite aspirar el polvo y evite el contacto prolongado con el polvo. El permitir la entrada del polvo en su boca u ojos, o dejar que permanezca sobre su piel, puede promover al absorción de material dañino. Utilice protección respiratoria de ajuste correcto, aprobada por NIOSH/OSHA y apropiada para la exposición al polvo, y lave las zonas expuestas con jabón y agua.
27. **UTILICE UNA EXTENSION ELECTRICA CORRECTA Y EN BUEN ESTADO.** Cuando vaya a hacer uso de una extensión eléctrica, asegúrese de utilizar una que sea lo suficientemente fuerte como para transportar la corriente a ser utilizada por su herramienta. Tenga la bondad de referirse al cuadro de calibres recomendados (AWG) para las extensiones eléctricas para el dimensionamiento correcto de la extensión eléctrica. Si tiene dudas, utilice la siguiente extensión de mayor calibre.

Mientras menor sea el número de calibre, mayor será el diámetro de la extensión eléctrica. Si tiene dudas sobre las dimensiones correctas de una extensión eléctrica, utilice un cordón más corto y más grueso. Una extensión de dimensiones insuficientes producirá una caída en el voltaje de línea, resultando en una pérdida de potencia y el sobrecalentamiento. **SOLO UTILICE UNA EXTENSION ELECTRICA DE 3 HILOS QUE DISPONGA DE UN ENCHUFE DE CONEXION A TIERRA DE 3 MACHOS, Y UN RECEPTACULO DE 3 POLOS QUE ACEPTE EL ENCHUFE DE LA MAQUINA.**

DIRECTRICES PARA LAS EXTENSIONES ELECTRICAS

Si está haciendo uso de una extensión eléctrica a la intemperie, esté seguro de que la extensión se encuentre marcada con "W-A" ("W" en el Canadá), lo que indica que su uso a la intemperie es aceptable.

Esté seguro del dimensionamiento correcto de su extensión eléctrica, y que se encuentre en buen estado eléctrico. Reponga siempre una extensión eléctrica dañada, o procure que una persona experta la repare antes del uso.

Proteja sus extensiones eléctricas contra los objetos filosos, el calor en exceso y de los lugares mojados o húmedos.

CALIBRE MINIMO RECOMENDADO (AWG) PARA LAS EXTENSIONES ELECTRICAS			
FUNCIONAMIENTO A 120 VOLTIOS SOLAMENTE			
	25 PIES DE LARGO	50 PIES DE LARGO	100 PIES DE LARGO
0 a 6 Amperios	18 AWG	16 AWG	16 AWG
6 a 10 Amperios	18 AWG	16 AWG	14 AWG
10 a 12 Amperios	16 AWG	16 AWG	14 AWG
FUNCIONAMIENTO A 240 VOLTIOS SOLAMENTE			
	25 PIES DE LARGO	50 PIES DE LARGO	100 PIES DE LARGO
0 a 6 Amperios	18 AWG	18 AWG	16 AWG
6 a 10 Amperios	18 AWG	18 AWG	14 AWG
10 a 12 Amperios	16 AWG	16 AWG	14 AWG

INSTRUCCIONES DE CONEXION A TIERRA

⚠️ ADVERTENCIA

ESTA HERRAMIENTA DEBE ESTAR CONECTADA A TIERRA DURANTE EL USO PARA PROTEGER AL OPERARIO DE LOS CHOQUES ELECTRICOS.

EN EL CASO DE UN MALFUNCIONAMIENTO O AVERIA, la conexión a tierra ofrece el trecho de menor resistencia para la corriente eléctrica y reduce el riesgo de los choques eléctricos. Esta herramienta viene equipada con un cordón eléctrico que dispone de un conductor de conexión a tierra para el equipo así como un enchufe de conexión a tierra. El enchufe **DEBE** estar enchufado a un tomacorrientes adaptado que haya sido correctamente instalado y conectado a tierra de acuerdo con **TODOS** los códigos y ordenanzas municipales.

NO MODIFIQUE EL ENCHUFE SUMINISTRADO. Haga que un electricista calificado instale el tomacorrientes apropiado si el enchufe no cabe en el tomacorrientes.

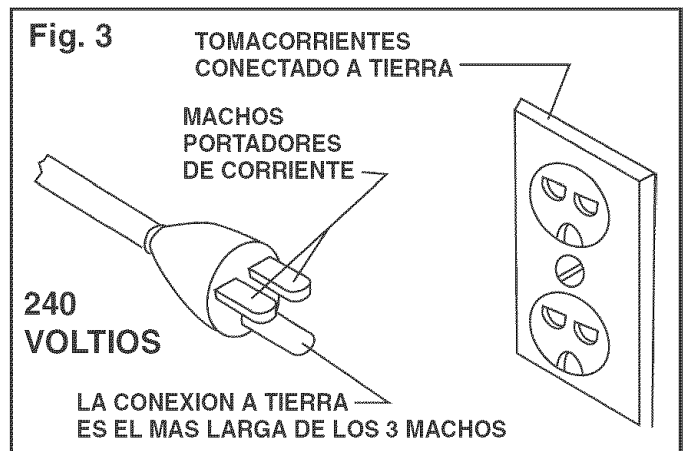
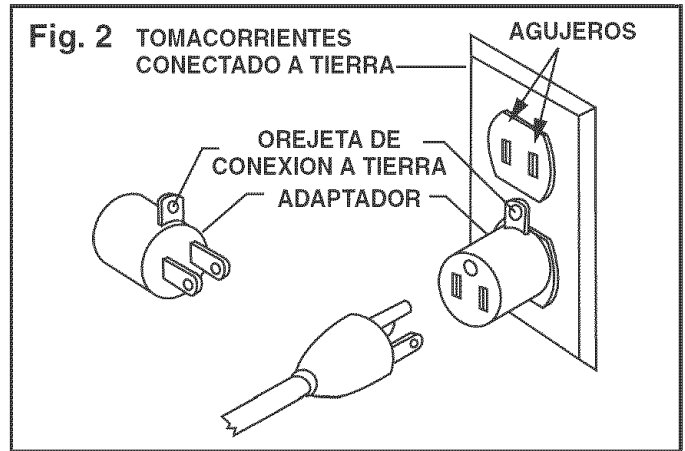
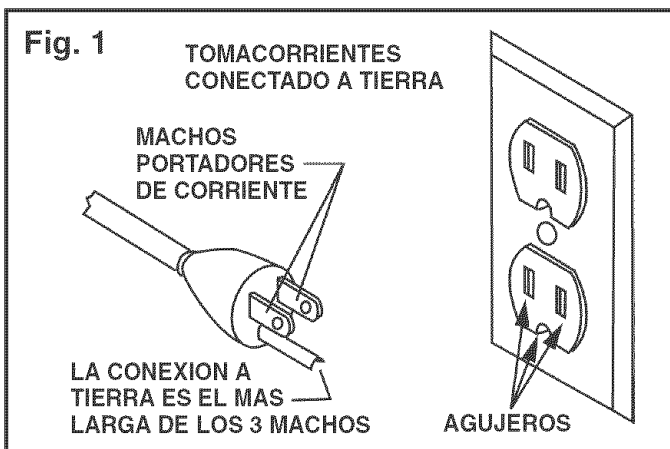
LA CONEXION ELECTRICA INCORRECTA del conductor de conexión a tierra para el equipo puede resultar en el riesgo de choques eléctricos. El conductor con el aislamiento verde (con o sin rayas amarillas) es el conductor de conexión a tierra para el equipo. **NO** conecte el conductor de conexión a tierra para el equipo a una terminación viva si resulta necesario reparar o reemplazar el cordón eléctrico o el enchufe.

CONSULTE con un electricista calificado o personal de servicio si no entiende las instrucciones de conexión a tierra completamente, o si no está seguro que la herramienta está debidamente conectada a tierra.

El motor suministrado con su Colector de Polvo es un motor de voltaje doble 120/240 monofásico. Se envía cableada para el funcionamiento a 120 voltios. Jamás conecte el alambre verde a un terminal vivo. Revise **OPERACION DEL COLECTOR DE POLVO** para las direcciones sobre el cambio de voltaje del motor.

SOLO UTILICE UNA EXTENSION ELECTRICA DE 3 HILOS QUE DISPONGA DE UN ENCHUFE DE CONEXION A TIERRA DE 3 MACHOS, Y UN RECEPTACULO DE 3 POLOS QUE ACEPTE EL ENCHUFE DE LA MAQUINA.

REPONGA CUALQUIER CORDON DAÑADO O GASTADO INMEDIATAMENTE.



Esta herramienta está diseñada para el uso en un circuito que disponga de un tomacorrientes como el que se ilustra en la **FIGURA 1**. La **FIGURA 1** muestra un enchufe eléctrico de 3 hilos y un tomacorrientes eléctrico con conductor de conexión a tierra. Si no se encuentra disponible un tomacorrientes debidamente conectado a tierra, se puede hacer uso de un adaptador, según lo ilustrado en la **FIGURA 2**, para conectar dicho enchufe provisionalmente al tomacorrientes de 2 contactos que no está conectado a tierra. El adaptador cuenta con una orejeta rígida que **DEBE** ser conectada a una conexión a tierra permanente, tal como un tomacorrientes debidamente conectado a tierra. **SE PROHIBE EL USO DE ESTE ADAPTADOR EN EL CANADA.**

Una herramienta con enchufe de 240 voltios sólo debe conectarse a un tomacorrientes que tenga la misma configuración que el enchufe ilustrado en la **FIGURA 3**. No existe ningún adaptador disponible ni tampoco debe usarse ninguno con el enchufe de 240 voltios.

PRECAUCION: En todos los casos, asegúrese de que el tomacorrientes en cuestión esté debidamente conectado a tierra. Si no está seguro, haga que un electricista certificado revise el tomacorrientes.

⚠️ ADVERTENCIA

El Colector de Polvo es para el uso en interiores exclusivamente. No la exponga a la lluvia, ni haga uso de ella en lugares húmedos.

INSTRUCCIONES DE SEGURIDAD ESPECIFICAS PARA LOS COLECTORES DE POLVO

El funcionamiento de cualquier colector de polvo puede tener como consecuencia la expulsión de escombros hacia sus ojos, lo que puede resultar en heridas oculares graves.

UTILICE SIEMPRE Gafas de Protección (que cumplan con la normativa Z87.1 de ANSI) cuando vaya a hacer uso del colector de polvo. Las Gafas de Seguridad están disponibles en las tiendas Sears de ventas al detal. Mantenga los pulgares y los dedos alejados de los puertos de admisión.

Las precauciones básicas deben acatarse en todo momento cuando se utiliza un colector de polvo. Cumpla con las instrucciones indicadas a continuación para reducir el riesgo de lesiones, choques eléctricos o incendios:

1. **LEA** y entienda el manual de instrucciones antes de poner el colector de polvo en funcionamiento.
2. **NO OPERE ESTA MAQUINA** hasta que se encuentre ensamblada e instalada conforme a las instrucciones.
3. **ASESORESE CON SU SUPERVISOR**, instructor u otra persona experta si no está familiarizado con el uso de esta máquina.
4. **NO PERMITA** el colector de polvo permanezca enchufado al tomacorrientes. El colector de polvo debe desenchufarse del tomacorrientes cuando no se encuentre en uso y antes de rendir servicio, cambiar bolsas, destupir y limpiar.
5. **COLOQUE SIEMPRE** el interruptor de energía en "APAGADO" antes de desenchufar el colector de polvo.
6. **PARA REDUCIR EL RIESGO DE CHOQUES ELECTRICOS**, no utilice la máquina a la intemperie. No la exponga a la lluvia. Almacénela bajo techo. Utilícela para recoger material seco solamente.
7. **OBEDEZCA** todos los códigos eléctricos y de seguridad, incluyendo el Código Eléctrico Nacional (NEC) y las Normas de Salud y Seguridad en el Trabajo (OSHA). Todas las conexiones y cableado eléctrico deben ser realizados sólo por personal competente.
8. **NO** maneje el enchufe ni el colector de polvo con las manos mojadas.
9. **NO UTILICE** el colector de polvo para recoger líquidos inflamables o combustibles, tales como la gasolina. **JAMAS** utilice el colector de polvo cerca de cualquier líquido inflamable o combustible.
10. **UTILICE** el colector de polvo para recoger materiales de madera solamente. **NO LO UTILICE** para recoger virutas, polvo ni piezas de metal.
11. **JAMAS** utilice el colector de polvos para disipar emanaciones o humo. **JAMAS** recoja cualquier cosa que esté ardiendo o emitiendo humo, así como cigarrillos, fósforos o cenizas calientes.
12. **UTILICELO** sólo como se describe en este manual. **SOLO** utilice los accesorios recomendados por Sears.
13. **NO** tire del colector de polvo mediante el cordón de energía. **JAMAS** permita que el cordón de potencia entre en contacto con bordes filosos, superficies calientes, aceite o grasa.
14. **NO** desenchufe el colector de polvo tirando del cordón de energía. **SIEMPRE** agarre el enchufe en vez del cordón.
15. **REPONGA** un cordón dañado inmediatamente. **NO** utilice un cordón o enchufe que estén dañados. Si el colector de polvo no funciona debidamente, o si ha sido dañado, dejado a la intemperie o si ha entrado en contacto con el agua, devuélvalo a un Centro de Servicio Sears para recibir servicio.
16. **NO** utilice el colector de polvo como juguete. **NO LO UTILICE** si hay niños presentes.
17. **NO** inserte los dedos o cuerpos extraños dentro del puerto de entrada de polvo. Debe alejar el cabello, la ropa holgada, los dedos y demás extremidades de las aberturas y piezas en movimiento del colector de polvo.
18. **NO** utilice el colector de polvo sin que la bolsa guardapolvo se encuentre en su sitio y debidamente asegurada.
19. **UTILICE SIEMPRE** compuertas de seguridad para cubrir los puertos de polvo cuando el colector de polvo no se encuentre en uso o cuando se está montado sobre una superficie de apoyo para el almacenamiento.
20. La bolsa guardapolvo debe ser **INSPECCIONADA PERIODICAMENTE** por si existe cualquier cortadura, desgarro o rompedura. **JAMAS** opere el colector de polvo con una bolsa o manguera de vacío que esté dañada.
21. El colector de polvo **SOLO** está diseñado para el uso doméstico o el uso industrial ligero.
22. **CONECTE** el colector de polvo a un tomacorrientes debidamente conectado a tierra. Vea las instrucciones de conexión a tierra.
23. **INFORMACION ADICIONAL** sobre el funcionamiento seguro y correcto de este producto está disponible de parte del National Safety Council, 1121 Spring Lake Drive, Itasca, IL 60143-3201 en el Manual de Prevención de Accidentes para Operaciones Industriales así como en las Hojas de Datos de Seguridad suministradas por el NSC. Tenga la bondad de referirse también al ANSI 01.1, Requisitos de Seguridad para la Maquinaria de Ebanistería de la American National Standards Institute, y el Reglamento 1910.213 OSHA del U.S. Department of Labor.
24. **GUARDE ESTAS INSTRUCCIONES.** Refiérase a ellas con frecuencia y utilícelas para instruir a otros usuarios.

ACCESORIOS Y CONEXIONES

ACCESORIOS DISPONIBLES

Visite su Departamento de Ferretería de Sears o consulte el Catálogo de Herramientas Eléctricas y de Mano de Sears para los siguientes accesorios:

<u>ARTÍCULO</u>	<u>NUMERO DE EXISTENCIA</u>
Bolsa de filtro de 30 micras (superior)	21379
Bolsa de filtro de 5 micras (superior)	21380
Bolsa de recolección de plástico (fondo)	21381
Manguera flexible 4 pulg. diámetro x 10 pies	21372
Manguera flexible 4 pulg. diámetro x 25 pies	21373
Conectores de accesorios varios	Consultar el catálogo o la tienda

Sears podrá recomendar otros accesorios no listados en este manual.

Consulte su Departamento de Ferretería de Sears más cercano o el Catálogo de Herramientas Eléctricas y de Mano de Sears para otros accesorios.

No utilice ningún accesorio a menos que haya leído cabalmente el Manual del Propietario para dicho accesorio.

⚠ ADVERTENCIA

Sólo utilice accesorios recomendados para este Colector de Polvo. El uso de otros accesorios puede ocasionar lesiones graves y producir daño al Colector de Polvo.

CONTENIDO DE LA CAJA

DESEMPAQUE Y DEL CONTENIDO (Figura 4 y Figura 5)

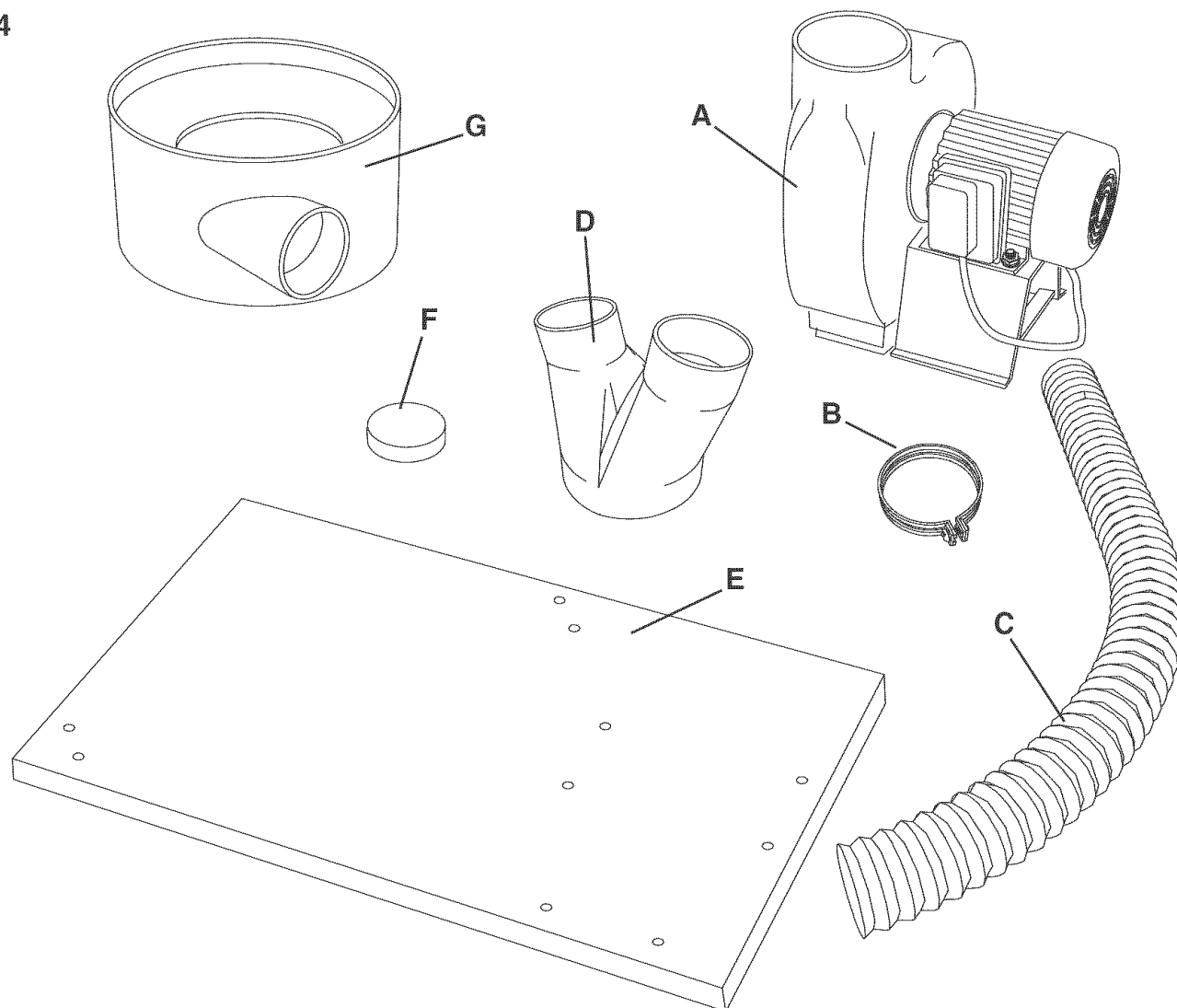
El Colector de Polvo requerirá una cantidad mínima de ensamblaje.

Quite todas las piezas de la caja de envío y colóquelas sobre una superficie de trabajo limpia. Compare los artículos con la Figura 4 y la Figura 5. Verifique que todos los artículos estén presentes antes de descartar la caja de envío.

⚠ ADVERTENCIA

Si faltan piezas, no intente enchufar el cordón de potencia y encender el Colector de Polvo. El Colector de Polvo sólo podrá encenderse después de que se hayan obtenido todas las piezas y estas hayan sido instaladas de manera correcta.

Fig. 4



A. Ensamblado del soplador y del motor

B. Abrazadera de manguera de 4 pulg.

C. Manguera flexible de 4 pulg.

D. Puerto de admisión

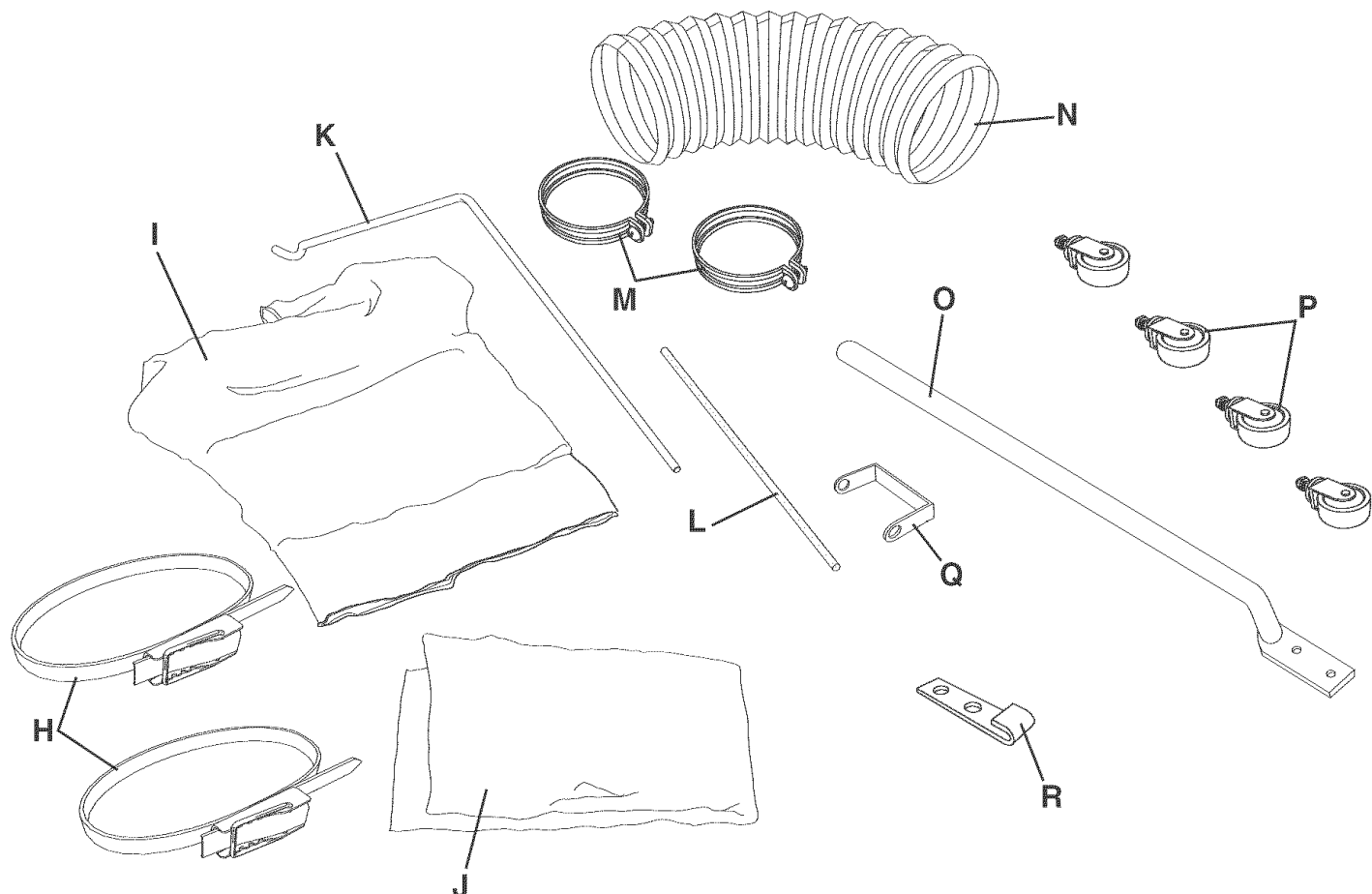
E. Base

F. Tapas del puerto de admisión (2)

G. Tambor

CONTENIDO DE LA CAJA (cont.)

Fig. 5



- H. Banda de cierre
- I. Bolsa de filtro
- J. Bolsa de recolección
- K. Vara de soporte superior
- L. Vara de soporte inferior
- M. Abrazadera de manguera de 6 pulg. (2)
- N. Manguera flexible con diámetro de 6 pulg.
- O. Soporte del tambor
- P. Ruedas pivotantes (4)
- Q. Soporte en U
- R. Presilla de retén (4)

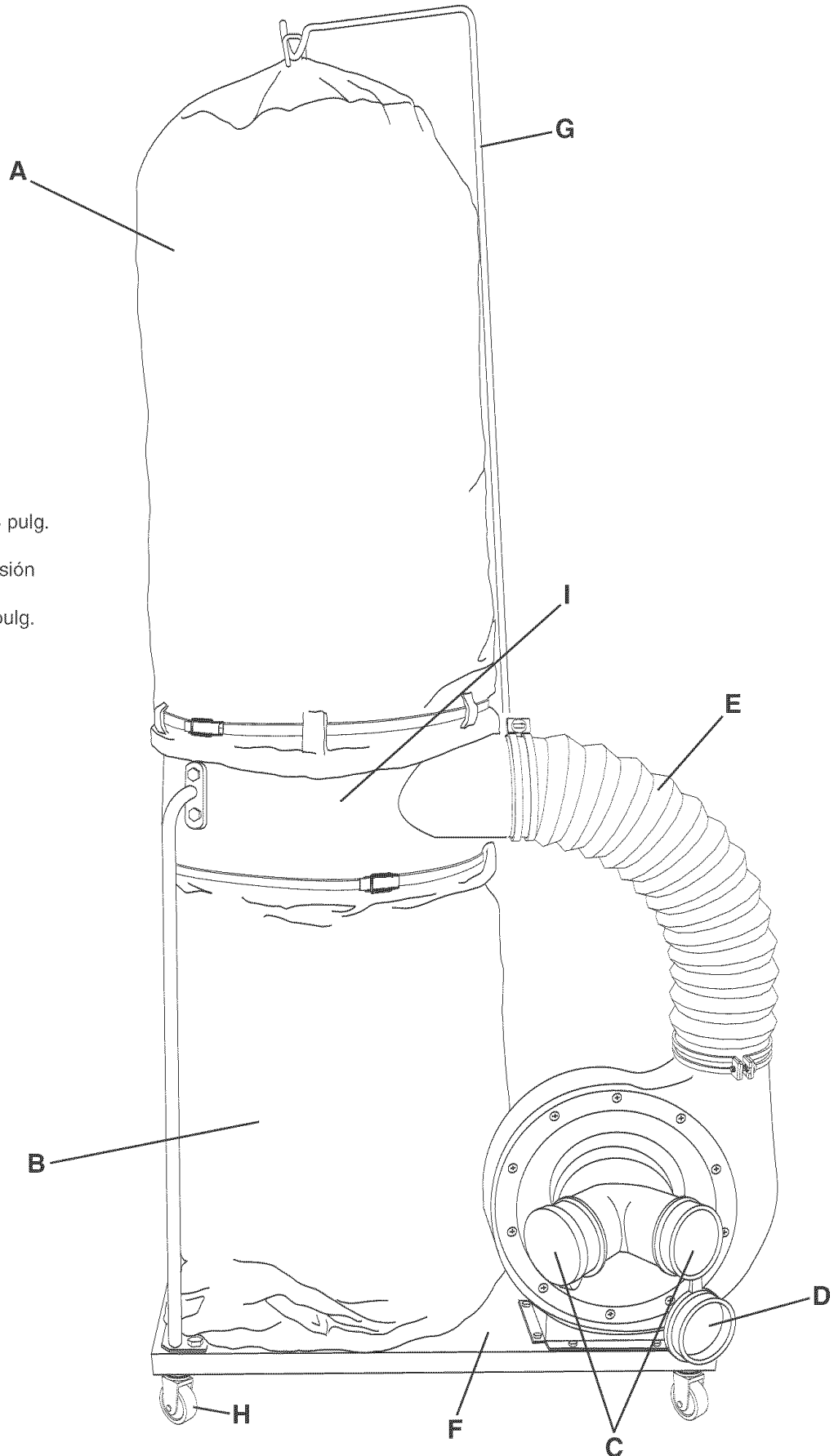
FERRETERIA NO ILUSTRADA

- * Tornillos de cabeza hexagonal 5/16-18 x 5/8 pulg. (20)
- * Arandelas de cierre 5/16 pulg. (24)
- * Tuercas hexagonales 5/16-18 (12)
- * Arandelas planas 5/16 pulg. con diámetro externo de 7/8 pulg. (6)
- * Tornillos de cabeza hexagonal 1/4-20 x 5/8 pulg. (8)
- * Arandelas de cierre 1/4 pulg (8)
- * Tuercas hexagonales 1/4-20 (8)
- * Tornillo de chapa de metal M4.2 (4).

CONOZCA SU COLECTOR DE POLVO

Fig. 6

- A. Bolsa de filtro
- B. Bolsa de recolección
- C. Puerto de admisión de 4 pulg.
- D. Tapa del puerto de admisión
- E. Manguera flexible de 6 pulg.
- F. Base
- G. Vara de soporte
- H. Rueda pivotante
- I. Tambor



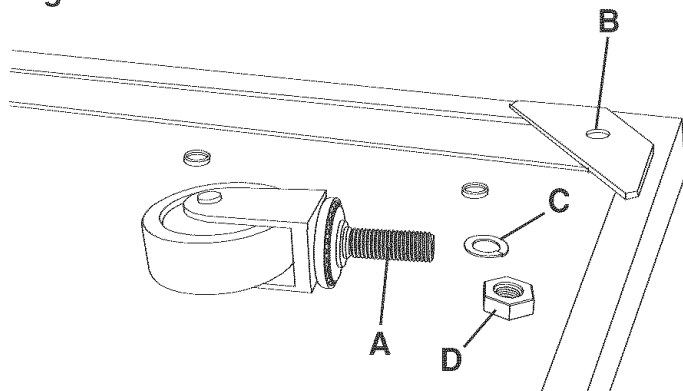
INSTRUCCIONES DE ENSAMBLAJE

⚠ ADVERTENCIA

1. **NO** inicie el ensamblaje hasta que esté seguro de que la herramienta **NO ESTA** enchufada.
2. **NO** ensamble el Colector de Polvo hasta que esté seguro de que el interruptor de energía se encuentre en la posición de "APAGADO".
3. Para su propia seguridad, **NO CONECTE** la máquina a la fuente de energía hasta que la máquina se encuentre completamente ensamblada y usted haya leído y entendido cabalmente el Manual del Propietario.

ENSAMBLAJE DE RUEDAS PIVOTANTES A LA BASE

Fig. 7



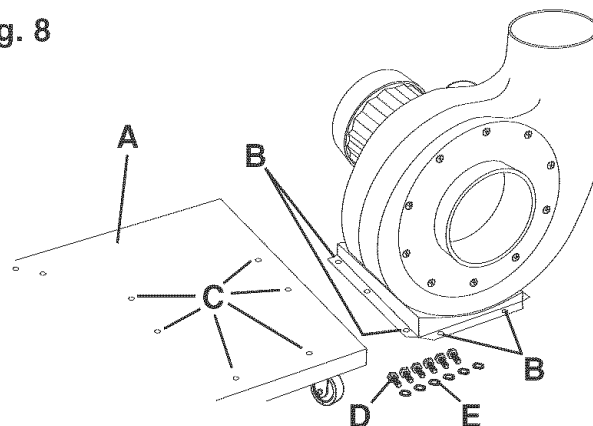
1. Inserte la vara roscada de la rueda pivotante (A) dentro del agujero ubicado en el lado inferior de la base (B) y afiáncela con una arandela de cierre de 3/8 pulg. (C) y una tuerca hexagonal de 3/8-16 (D). Consulte la figura 7.
2. Ensamble las tres ruedas pivotantes restantes al lado inferior de base en la misma manera.

MONTAJE DEL ENSAMBLADO DEL SOPLADOR Y EL MOTOR A LA BASE

⚠ ADVERTENCIA

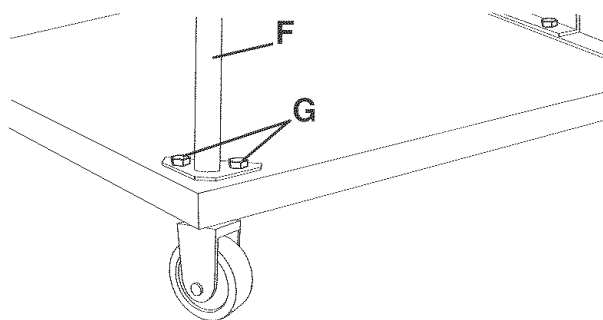
ASEGURESE DE QUE EL COLECTOR DE POLVO ESTE DESCONECTADO DE LA FUENTE DE ENERGIA.

Fig. 8



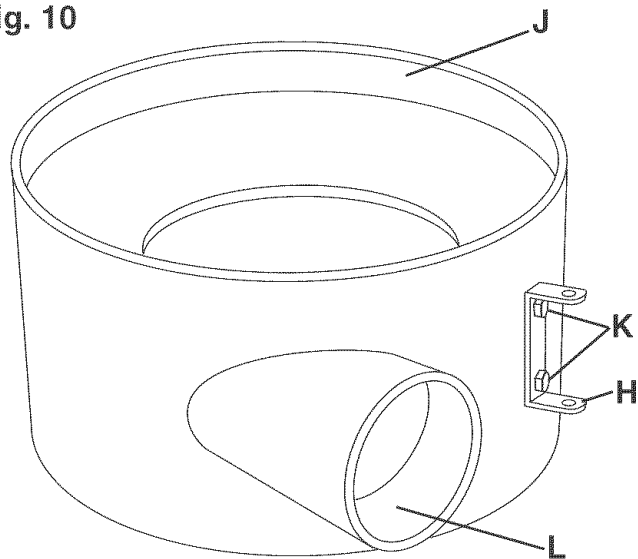
1. Gire la base (A) hacia arriba. Alinee los agujeros de montaje en la base del ensamblado del soplador y el motor (B) con los seis agujeros perforados de antemano (C) en la base, afianzándolo con seis tornillos de cabeza hexagonal de 5/16-18 x 5/8 pulg. (D) y una arandela de cierre de 5/16 pulg. (E). Consulte la figura 8.

Fig. 9



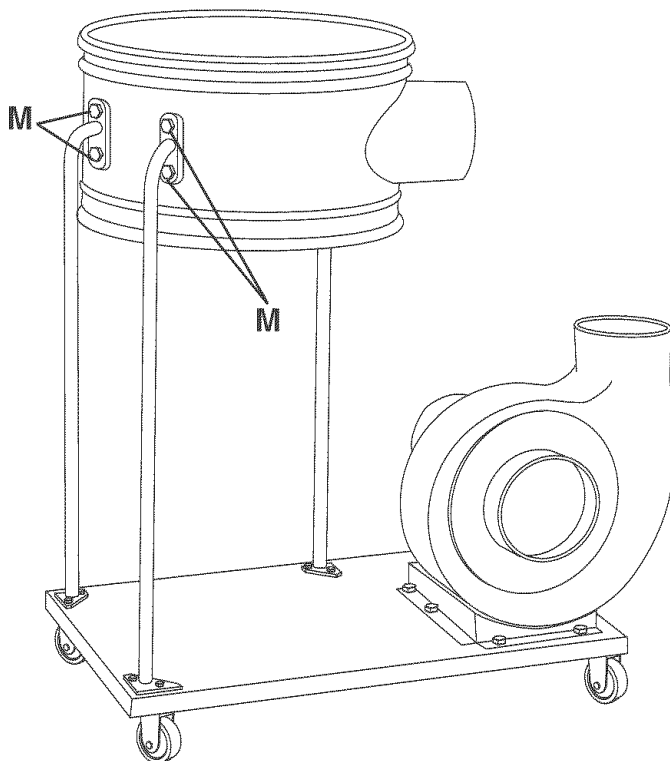
2. Ensamble el soporte del tambor (F) a los dos agujeros roscados en la esquina de la base con dos tornillos de cabeza hexagonal de 5/16-18 x 5/8 pulg. y una arandela de cierre de 5/16 pulg. (G). **AVISO:** No apriete el herramental del todo en este momento. Consulte la figura 9.
3. Ensamble los soportes restantes del tambor a la base del mismo modo. **AVISO:** No apriete el herramental del todo en este momento.

Fig. 10



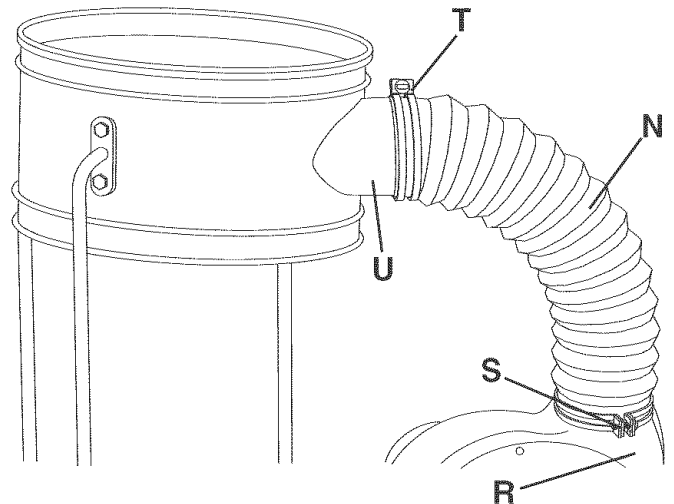
4. Ensamble el Soporte en U (H) al tambor (J). Coloque una arandela de cierre de 5/16 pulg. y luego una arandela plana de 5/16 pulg. sobre un tornillo de cabeza hexagonal de 5/16-18 x 5/8 pulg. (K) a través del agujero en el soporte en U y el agujero del tambor, roscando una tuerca hexagonal de 5/16 pulg. sobre el tornillo de cabeza hexagonal. Repita este proceso para el agujero restante y afiance ambos tornillos seguramente. **AVISO:** El soporte en U debe montarse al lado derecho de la abertura (L) en el tambor, según lo ilustrado. Consulte la figura 10.

Fig. 11



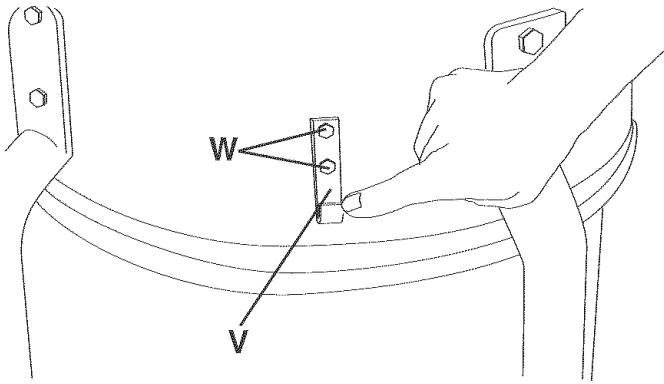
5. Alinee los agujeros en el soporte de tambor con los agujeros en el tambor (M). Coloque una arandela de cierre de 5/16 pulg. sobre un tornillo de cabeza hexagonal de 5/16-18 x 5/8 pulg., y luego una arandela plana de 5/16 pulg sobre el tornillo de cabeza hexagonal. Inserte el tornillo de cabeza hexagonal a través del agujero en el soporte del tambor y el tambor. Enrosque una tuerca hexagonal de 5/16 pulg sobre el tornillo de cabeza hexagonal y apriételo de manera segura. Consulte la figura 11. Afiance los soportes restantes del tambor al tambor en la misma manera.

Fig. 12



6. Coloque un extremo de la manguera flexible de 6 pulg. (N) sobre el orificio de salida del soplador/motor (R). Deslice una abrazadera de manguera de 6 pulg. en diámetro (S) a lo largo de la manguera flexible de 6 pulg. y apriete la abrazadera de la manguera a la salida del soplador/motor. Consulte la figura 12.
7. Coloque la otra abrazadera de manguera de 6 pulg. (T) sobre la manguera flexible de 6 pulg. Conecte la manguera flexible de 6 pulg. al orificio de admisión del tambor (U) y apriete la abrazadera de manguera de 6 pulg. Consulte la figura 12.

Fig. 13



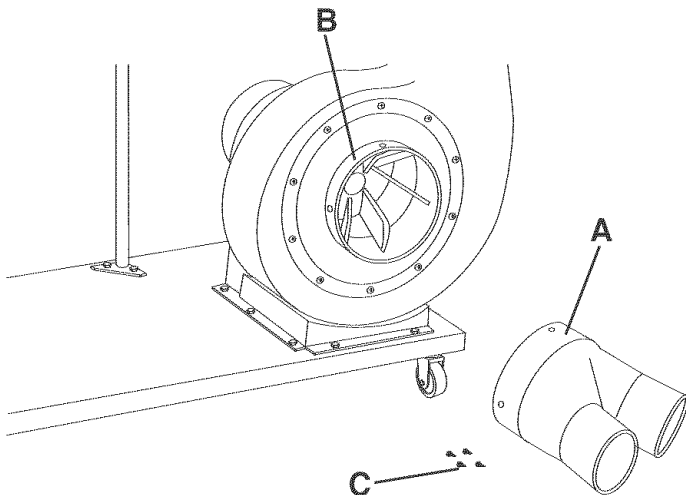
8. Conecte la presilla de retén de la bolsa guardapolvo inferior (V) al tambor colector de polvo. Alinee ambos agujeros (W) a la presilla de retén con los dos agujeros en el tambor. Inserte un tornillo de cabeza hexagonal de 1/4-20 x 5/8 pulg. a través de cada agujero en la presilla de retén y el tambor. Coloque una arandela plana de 1/4 pulg. y una tuerca hexagonal de 1/4-20 sobre el tornillo dentro del tambor. Repita este procedimiento para las tres presillas de retén restantes y apriete todo el herramienta. Consulte la figura 13.

MONTAJE DEL PUERTO DE ADMISION AL MOTOR DEL SOPLADOR

⚠ ADVERTENCIA

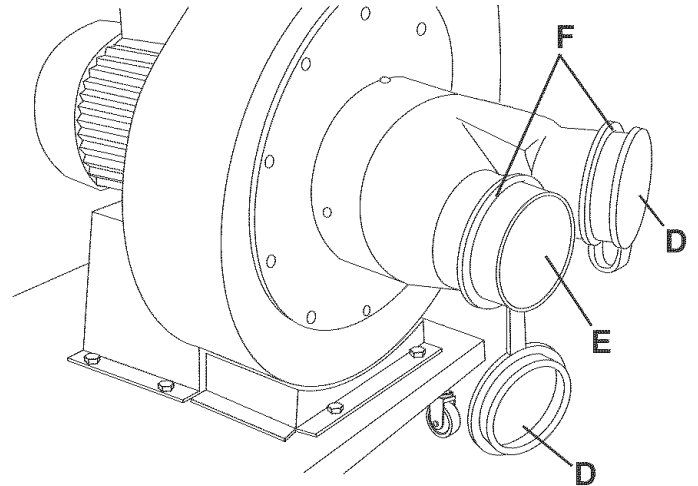
ASEGURESE DE QUE EL COLECTOR DE POLVO ESTE DESCONECTADO DE LA FUENTE DE ENERGIA.

Fig. 14



1. Alinee los cuatro agujeros en el puerto de admisión (A) con los agujeros de montaje en la pestaña (B) del ensamblado del soplador y el motor, y afiánzelos con cuatro tornillos de chapa de metal M4.2 (C). Consulte la figura 14.

Fig. 15



2. Conecte una tapa de puerto de admisión (D) al puerto de admisión (E). Las tapas del puerto de admisión deben colocarse sobre los puertos de admisión cuando los orificios de admisión no estén en uso. Consulte la figura 15.

IMPORTANTE: Cuando vaya a conectar una manguera de entrada a uno o ambos puertos de admisión, **NO quite los collarines de las tapas de puertos de admisión (F) de los puertos de admisión.** Deslice el collarín hacia atrás cuando vaya a conectar una manguera. Consulte la figura 15.

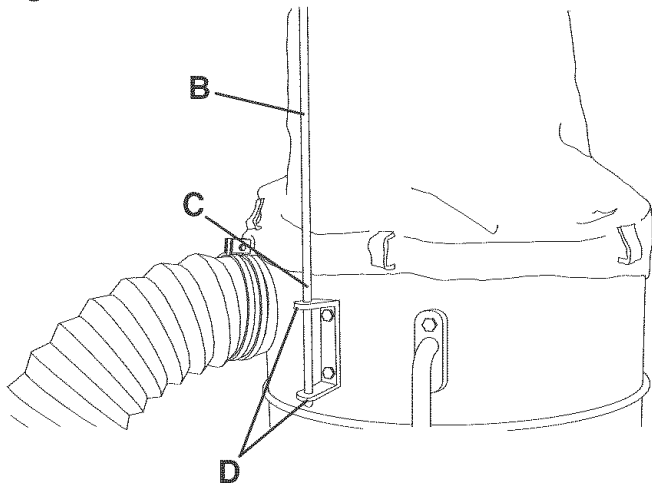
MONTAJE DE LAS BOLSAS DE FILTRO Y DE RECOLECCION AL TAMBOR

⚠ ADVERTENCIA

ASEGURESE DE QUE EL COLECTOR DE POLVO ESTE DESCONECTADO DE LA FUENTE DE ENERGIA.

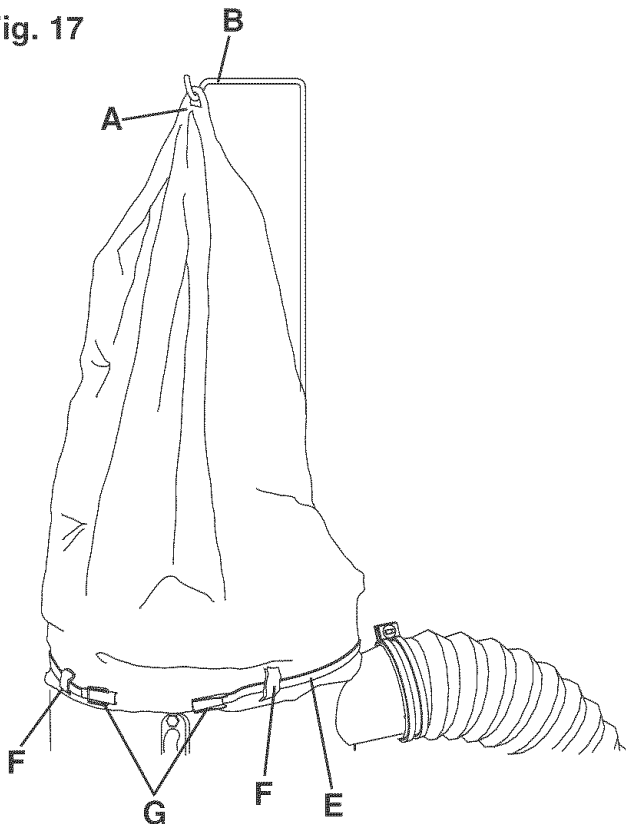
1. Enganche el ojal (A) en la bolsa de filtro superior sobre el gancho (B) de la vara de soporte superior. Consulte la figura 17.

Fig. 16



2. Deslice la vara de soporte inferior (C) sobre el extremo de la vara de soporte superior (B). Levante la vara de soporte ensamblada con la bolsa de filtro conectada, y coloque el extremo de la vara de soporte inferior en los agujeros del soporte en U (D). El extremo abocinado de la vara de soporte inferior impedirá que la vara se deslice a través del soporte en U. Consulte la figura 16.

Fig. 17



3. Inserte la banda de cierre (E) a través de todos los ojales de la bolsa de filtro (F). Coloque el extremo abierto de la bolsa de filtro sobre el borde superior del tambor. Asegúrese de que la banda de sujeción esté colocada en el canal superior recesado del tambor y afiance la abrazadera (G) al tambor de manera segura. Consulte la figura 17.

4. Coloque la segunda banda de sujeción a través de todos los ojales de la bolsa de recolección, que es parecida a la bolsa de filtro.
5. Conecte la bolsa de recolección sobre el borde inferior del tambor. Tire las presillas de retén hacia arriba e inserte la bolsa de recolección por debajo de cada presilla de retén. Asegúrese de que la banda de sujeción esté colocada en el canal recesado inferior del tambor, y apriete la abrazadera al tambor de manera segura.

MONTAJE DE LA MANGUERA FLEXIBLE AL PUERTO DE ADMISION

⚠ ADVERTENCIA

ASEGURESE DE QUE EL COLECTOR DE POLVO ESTE DESCONECTADO DE LA FUENTE DE ENERGIA.

IMPORTANTE: Cuando vaya a conectar una manguera de entrada a uno u ambos puertos de admisión, **NO quite las tapas de puerto de admisión de los puertos de admisión.** Deslice el collarín hacia atrás en el puerto de admisión cuando vaya a conectar una manguera.

1. Para conectar una manguera flexible de 4 pulg. a uno de los puertos de admisión, separe la tapa del puerto de admisión del puerto de admisión. Deslice el collarín de la tapa del puerto de admisión hacia atrás y permita que la tapa cuelgue del puerto de admisión.
2. Coloque una abrazadera de manguera de 4 pulg. sobre una manguera flexible de 4 pulg. Deslice la manguera sobre uno de los puertos de admisión que se abrió en el Paso 1 arriba, y apriete la abrazadera de manguera.
3. Si desea hacer uso del segundo puerto de admisión, debe comprar una segunda manguera flexible de 4 pulg. y abrazadera de manguera de 4 pulg. y repetir los Pasos 1 y 2 arriba.

Consulte su Departamento de Ferretería de Sears más cercano o el Catalogo de Herramientas Eléctricas y de Mano de Sears para otros accesorios.

⚠ ADVERTENCIA

Sólo utilice accesorios recomendados para este Colector de Polvo. El uso de otros accesorios puede ocasionar lesiones graves y producir daño al Colector de Polvo.

ACCIONANDO EL COLECTOR DE POLVO

⚠ ADVERTENCIA

PARA LA SEGURIDAD DEL OPERARIO, mantenga los dedos y todos los cuerpos extraños fuera de los puertos de admisión. El acceso al ventilador girante dentro de la caja del soplador es posible a través de los puertos de admisión y es peligroso. No utilice vestimenta holgada ni artículos de joyería. Asegúrese de que cada puerto de admisión que no esté en uso, o conectado a un sistema de recolección de polvo, se encuentre cubierto por una tapa de puerto de admisión.

CONECTANDO LA HERRAMIENTA A LA FUENTE DE ENERGIA

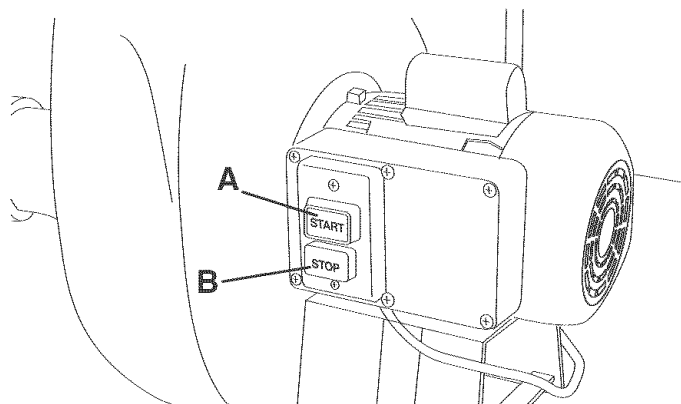
Debe utilizar un circuito eléctrico independiente para sus herramientas. Este circuito no debe ser menor que el alambre #14 A.W.G. y debe estar protegido por un fusible de retardo de 15 Amperios. Haga que un electricista competente reponga o repare inmediatamente cualquier cordón desgastado. Antes de conectar el motor a la línea de energía, asegúrese de que el interruptor esté en la posición de APAGADO y asegúrese de que la corriente eléctrica sea de las mismas características que lo indicado por la placa de notaciones del motor. Todas las conexiones de línea deben hacer buen contacto. El funcionamiento a bajo voltaje perjudicará el motor.

⚠ ADVERTENCIA

NO EXPONGA ESTE COLECTOR DE POLVO A LA LLUVIA NI HAGA USO DE LA MAQUINA EN LUGARES HUMEDOS.

INTERRUPTOR DE ENCENDIDO/APAGADO

Fig. 18



El interruptor de ENCENDIDO/APAGADO se encuentra al costado del motor. Para ENCENDER el colector de polvo, oprima el botón verde de arranque (A). Para APAGAR el colector de polvo, presione el botón rojo de parada (B). Consulte la figura 18.

FIJANDO EL INTERRUPTOR A LA POSICION DE “APAGADO”

Cuando el Colector de Polvo no se encuentre en uso, el botón de arranque podrá fijarse de tal manera que no pueda activarse. Esto se consigue colocando un candado (incluido) a través de los agujeros al lado del botón de arranque.

DISYUNTOR DE CIRCUITOS

El motor de su colector de polvo está equipado con un disyuntor de circuitos restorable. Está situado en el lado superior de la caja del interruptor de encendido/apagado en el costado del motor. Si el motor se apaga, o si no se enciende debido a una condición de carga excesiva, apague el colector de polvo para permitir que el motor se enfríe entre tres y cinco minutos, y oprima el botón de restablecimiento en el disyuntor de circuitos para restablecer el disyuntor. El motor podrá encenderse entonces de la manera acostumbrada.

CAMBIANDO EL VOLTAJE DEL MOTOR

⚠️ ADVERTENCIA

ASEGURESE DE QUE EL COLECTOR DE POLVO ESTE DESCONECTADO DE LA FUENTE DE ENERGIA.

El motor suministrado con su Colector de Polvo es un motor monofásico de doble voltaje, 120/240 voltios. Se envía cableado de fábrica para su servicio de 120 voltios. Si elige hacer uso de 240 voltios para accionar su máquina, debe seguir las siguientes instrucciones:

⚠️ ADVERTENCIA

Si no está seguro de las conexiones ni de los códigos eléctricos, comuníquese con un electricista certificado. Deben obedecerse todos los códigos a nivel local y estatal.

Refiérase a las **INSTRUCCIONES DE CONEXION A TIERRA** antes de proseguir:

1. **DESCONECTE EL COLECTOR DE POLVO DE LA FUENTE DE POTENCIA.**
2. Quite la cubierta de la caja del interruptor.
3. El motor cuenta con cuatro avances. Vuelva a conectar los avances para el voltaje elegido, según lo ilustrado en el diagrama de cableado. Consultar la figura 19.
4. El interruptor de ENCENDIDO/APAGADO es un interruptor de dos polos. No se requiere cambio alguno para el funcionamiento de 120/240 voltios.
5. Sustituya el enchufe con el enchufe correcto que tenga la conexión a tierra apropiada para el voltaje requerido. El nuevo enchufe debe cumplir con todos los códigos eléctricos a nivel local y estatal.
6. Vuelva a ensamblar la cubierta de la caja del interruptor.

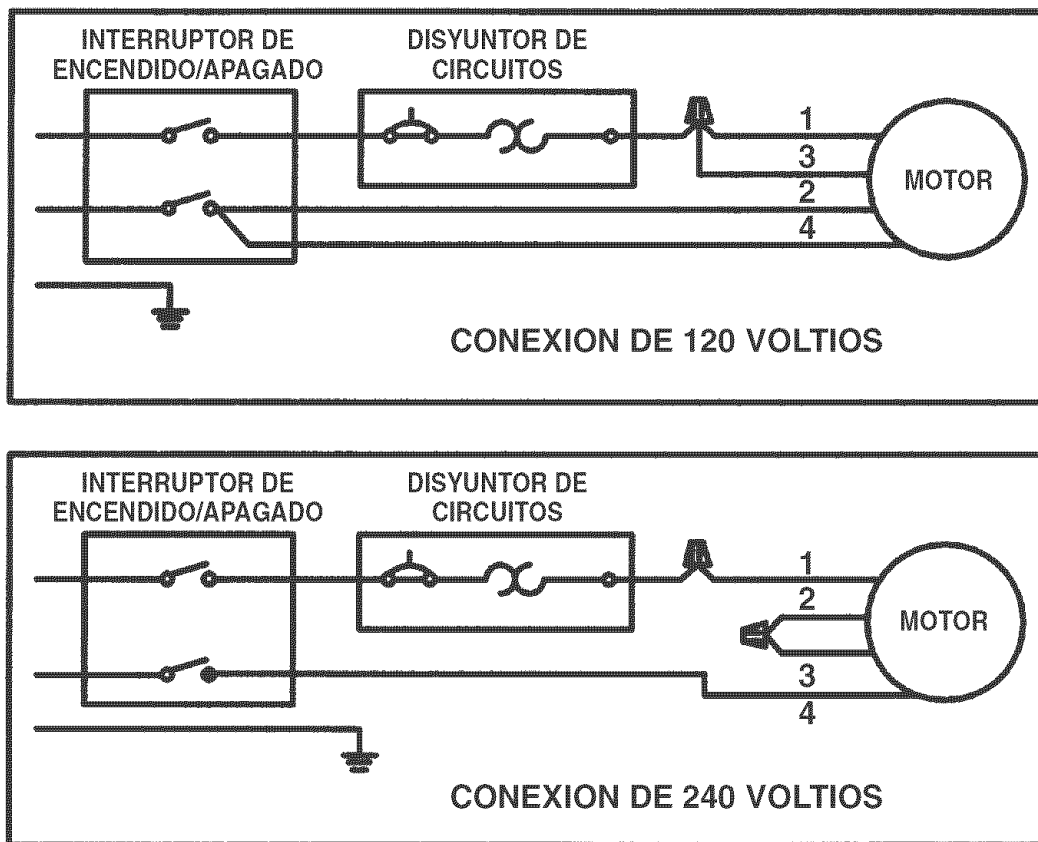
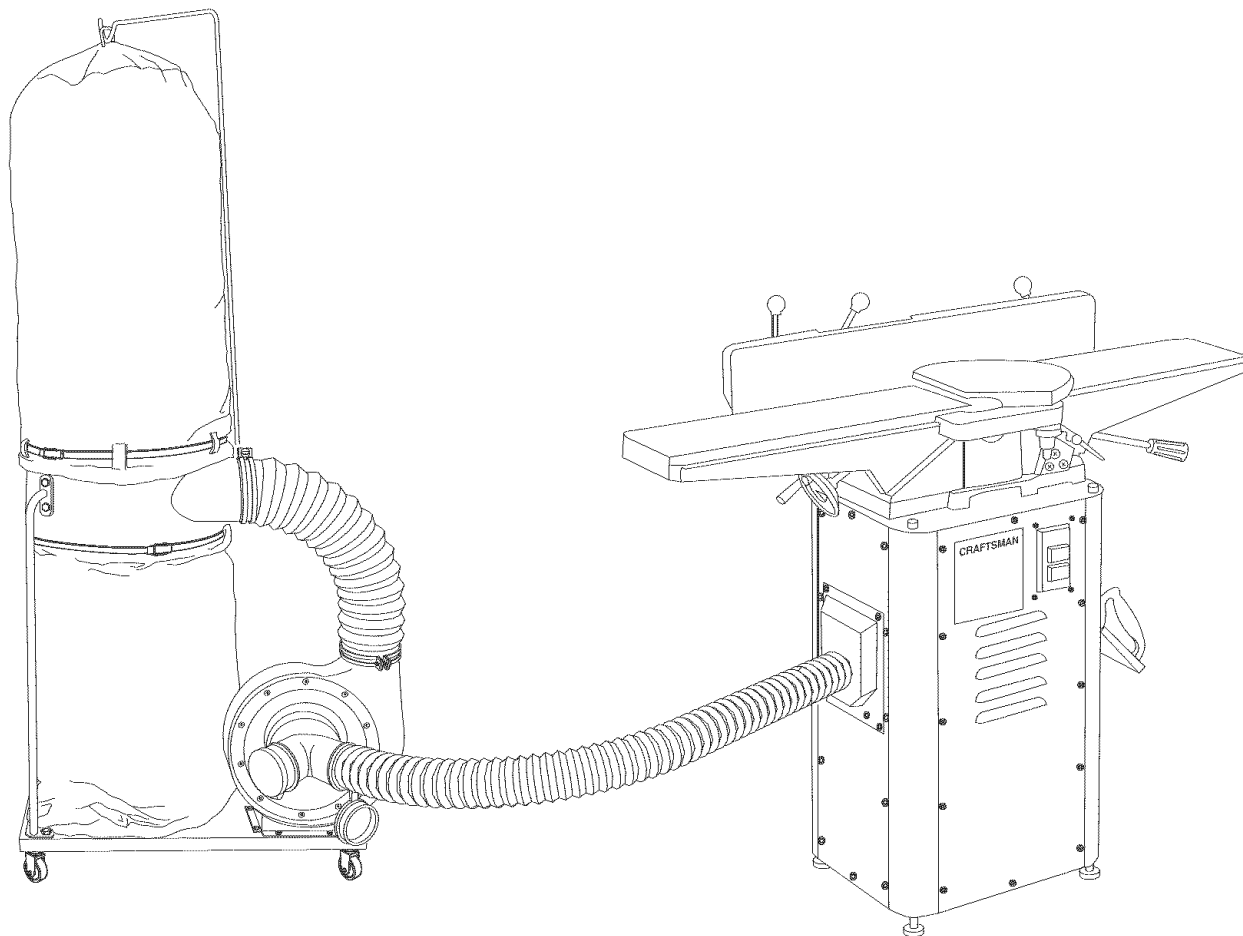


Fig. 19

COLECTOR DE POLVO EN EL TALLER



A continuación se presentan algunos términos que le ayudarán a entender y montar su Colector de Polvo y a diseñar su propio sistema de recolección de polvo.

Colector de Polvo - Máquina utilizada para recolectar polvo fino y astillas de madera.

Sistema de Recolección de Polvo - Un colector de polvo conectado a máquinas múltiples de ebanistería mediante el uso de distintos tipos de mangueras/tuberías y conectores.

C.F.M. = Pies cúbicos por minuto - Una medida de la cantidad de volumen de aire que puede moverse a través de un colector de polvo en un minuto.

Presión Estática - Una medida de la cantidad de resistencia al flujo de aire en un sistema de recolección de polvo.

COSAS A TOMARSE EN CUENTA:

- ¿Cuál es el C.F.M. máximo requerido para cada herramienta que se propone utilizar? Su Colector de Polvo debe estar tasado para la herramienta que tiene el requisito de C.F.M. más elevado.
- ¿Funcionarán dos o más herramientas a la misma vez? El Colector de Polvo debe estar tasado para manejar los requisitos combinados de C.F.M. para todas las herramientas en funcionamiento.

CONSEJOS UTILES:

- El diámetro de manguera más grande que sea adecuado debe tenderse lo más lejos posible. El tendido de una

manguera de diámetro menor reducirá considerablemente el C.F.M. en la herramienta, resultando en una recolección de polvo limitada.

- El uso de bolsas de recolección y de filtro bajas en micras puede aumentar la efectividad de su colector de polvo al eliminar las partículas finas de polvo.
- Determine si va a utilizar su Colector de Polvo en un Sistema de Recolección de Polvo o como conexión directa a una herramienta individual. Si se utiliza en un Sistema de Recolección de Polvo, repase los Requisitos de Presión Estática que aparecen a continuación.

⚠ ADVERTENCIA

Para protegerse contra los choques de estática, conecte al sistema de recolección de polvo a una conexión a tierra conocida.

Si está haciendo uso del Colector de Polvo como parte de un Sistema de Recolección de Polvo, asegúrese de:

- Conectar el sistema de recolección de polvo a una conexión a tierra conocida.
- Siempre mantenga cerradas las compuertas de descarga a las herramientas que no estén en uso.
- Haga que todos los tendidos sean lo más breve posible, reduciendo la cantidad de dobleces o vueltas que podría impactar la eficiencia de su Colector de Polvo considerablemente.
- Coloque las herramientas que tengan las notaciones de C.F.M. más elevadas lo más cerca al Colector de Polvo.

COLECTOR DE POLVO EN EL TALLER

REQUISITOS DE C.F.M. A LAS HERRAMIENTAS

<u>Máquina</u>	<u>C.F.M. Mínimo Requerido</u>	<u>Diámetro Mínimo del Ducto</u>
Sierra de cinta (12 a 16 pulg.)	350 C.F.M.	4 pulg.
Lijadora de correa/disco	450 C.F.M.	5 pulg.
Taladradora	350 – 400 C.F.M.	4 pulg.
Lijadora de tambor (12 a 24 pulg.)	550 – 700 C.F.M.	5 pulg.
Terraja de piso	350 – 400 C.F.M.	4 a 5 pulg.
Machimbradora (hasta 8 pulg.)	350 – 400 C.F.M.	4 a 5 pulg.
Machimbradora (más de 8 pulg.)	450 – 550 C.F.M.	5 pulg.
Sierra de brazo radial	450 – 600 C.F.M.	5 pulg.
Sierra de ingletes	450 – 600 C.F.M.	5 pulg.
Mesa de recortadora	200 C.F.M.	3 pulg.
Sierra de calar	200 C.F.M.	3 pulg.
Lijadora de huso	400 C.F.M.	4 pulg.
Sierra de mesa (10 pulg.)	350 C.F.M.	4 pulg.
Cepilladora de grosor (10 a 15 pulg.)	400 C.F.M.	4 pulg.
Cepilladora de grosor (16 a 20 pulg.)	600 – 800 C.F.M.	5 a 6 pulg.

REQUISITOS DE PRESION ESTATICA PARA UN SISTEMA DE RECOLECCION DE POLVO

Utilizando los **PASOS 1 al 4** y el “Cuadro de Requisitos de Presión Estática”, usted podrá determinar la presión estática requerida por su Colector de Polvo.

Paso #1: Multiplique la cantidad de pies de Manguera/Tubería por la notación apropiada en pulgadas.
Por ejemplo: 40 pies de tubería nervada de 4 pulg. en diámetro x 0.11 = **Total de 4.4.**

Paso #2: Multiplique los conectores por las notaciones y luego súmelas.
Por ejemplo: Dos piezas acodadas de 90 grados (utilizando una manguera de 4 pulg. en diámetro) = 0.84 MAS dos conectores en T de 90 grados = 0.98 **Total = 1.82**

Paso #3: Sume **2.5** para los factores de conexión a la máquina y bolsa sucia (1.5 para conexiones + 1.0 por bolsa sucia).

Paso #4: Totalice los tres cálculos antes mencionados. Dicho total no debe exceder la presión estática máxima para su Colector de Polvo.
Por ejemplo: 4.4 (total del Paso #1) x 1.82 (total del Paso #2) + 2.5 (Total del Paso #3) = **8.72**

En este ejemplo, se requiere un Colector de Polvo con notación de Presión Estática de 8.72 o más. Consulte las Especificaciones del Producto en la página 2 para conseguir la presión estática máxima de su colector de polvo.

AVISO: Para determinar si ha cumplido con el Requisito de Presión Estática al hacer uso de un Sistema de Recolección de Polvo, identifique primero la rama del sistema con el requisito más elevado de presión estática. Si opera su sistema de recolección de polvo con más de una compuerta de descarga abierta, agregue la presión estática de todas las ramas que estén abiertas para determinar el requisito total de presión estática.

Cuadro de Requisitos de Presión Estática

Tamaño de Manguera	Manguera/Tubería o Tubería Rígida (por pie)	Tubería con nervaduras (por pie)	Pieza acodada de 90 grados	Pieza acodada de 90 grados	Conector en T de 45 grados	Conexión a la máquina	Ajuste por “bolsa sucia”
3	.10	.15	.50	.60	.25	1.50	1.0
4	.07	.11	.42	.49	.21	1.50	1.0
5	.055	.08	.49	.55	.25	1.50	1.0

COLECTOR DE POLVO EN EL TALLER

Para comprar cualquiera de los Accesorios de Recolección de Polvo listados a continuación, visite su tienda Sears más cercana.

Conectores varios:

21340	Acoplamiento para manguera de 3 pulg.	21341	Acoplamiento de manguera de 4 pulg.
21363	Pieza acodada de 90 grados de 3 pulg.	21364	Pieza acodada de 90 grados de 4 pulg.
21365	Conector en Y de 3 pulg.	21366	Conector en Y de 4 pulg.
21367	Conector en T de 3 pulg.	21368	Conector en T de 4 pulg.

Manguera:

21370	Manguera Flexible de 3 pulg. x 10 pies
21371	Manguera Flexible de 3 pulg. x 25 pies
21372	Manguera Flexible de 4 pulg. x 10 pies
21373	Manguera Flexible de 4 pulg. x 25 pies

Compuerta de descarga:

21359	Compuerta de descarga de 3 pulg. - plástico	21360	Compuerta de descarga de 4 pulg. - plástico
21361	Compuerta de descarga de 3 pulg. - aluminio	21362	Compuerta de descarga de 4 pulg. - aluminio

Reductores:

21347	Reductor de 5 a 4 pulg.	21348	Reductor de 4 a 3 pulg.
21349	Reductor de 4 a 2-1/2 pulg.	21351	Reductor de 3 a 2-1/2 pulg.
21352	Reductor de 3 a 2 pulg.	21353	Reductor de 2-1/2 a 1-1/2 pulg.

Abrazaderas de manguera (cant. 2 por paquete):

21354	Abrazadera de manguera de 2 pulg.	21355	Abrazadera de manguera de 2-1/2 pulg.
21356	Abrazadera de manguera de 3 pulg.	21357	Abrazadera de manguera de 4 pulg.
21358	Abrazadera de manguera de 5 pulg.		

Campanas guardapolvo:

21342	Campana guardapolvo para machimbradora 8-1/4 x 8-1/4 x 4 pulg. en diámetro
21343	Campana guardapolvo para machimbradora 10-1/4 x 8-1/2 x 4 pulg. en diámetro
21344	Campana guardapolvo para sierra de mesa 12-1/4 x 12-1/4 x 4 pulg. en diámetro
21345	Campana guardapolvo para sierra de mesa 14 x 14 x 4 pulg. en diámetro
21346	Campana guardapolvo universal, 6-1/4 x 6-1/4 x 4 pulg. en diámetro

Terraja de piso:

21369	Terraja de piso
-------	-----------------

Conjuntos:

21350	Conjunto de Montaje de Pared	(incluye: 6 abrazaderas de pared, 12 tornillos y 12 anclas)
21375	Conjunto de Accesorios para el Colector de Polvo	(contiene: 2-#21372, 1-#21344, 1-#21342, 1-#21346, 4-#21360, 1-#21369, 1-#21366, 1-#21350 y 5-#21357).

MANTENIMIENTO DEL COLECTOR DE POLVO

⚠️ ADVERTENCIA

Apague el interruptor de energía y desenchufe el cordón de potencia de su fuente de energía antes de realizar cualquier mantenimiento. Asegúrese siempre de que las tapas de puerto de admisión cubran los puertos de admisión cuando una manguera no se encuentre conectada al colector de polvo.

LUBRICACION

El Colector de Polvo tiene cojinetes lubricados sellados en la carcasa de motor. No se requiere ningún lubricado adicional por parte del operario.

LIMPIEZA

Con el Colector de Polvo desenchufado, purgue el motor con aire a baja presión para eliminar polvo o suciedad. No debe hacerse uso de la presión de aire por encima de los 50 PSI, ya que podrá dañarse el aislamiento. El operario debe utilizar protección ocular en todo momento durante el uso de aire comprimido.

No permita que las astillas y el polvo se acumulen bajo el colector de polvo. Mantenga la zona limpia y en seguro estado.

PRECAUCION: NO UTILICE MATERIALES INFLAMABLES para limpiar el colector de polvo.

⚠️ ADVERTENCIA

Las reparaciones al Colector de Polvo deben ser realizadas por personal experto solamente. Comuníquese con su Centro de Servicio Sears más cercano para obtener servicio autorizado. Las reparaciones desautorizadas o el reemplazo con piezas que no sean de fábrica podrá resultar en lesiones graves al usuario y daño al colector de polvo.

GUIA DE LOCALIZACION DE AVERIAS

PARA PREVENIR LAS LESIONES PERSONALES o el daño al Colector de Polvo, coloque el interruptor en la posición de "APAGADO" y desenchufe el cordón de energía del tomacorrientes antes de realizar cualquier ajuste.

PROBLEMA	CAUSA PROBABLE	SOLUCION
Motor no arranca	<ol style="list-style-type: none"> 1. Interruptor no oprimido lo suficiente o interruptor en el posición de "APAGADO" 2. Interruptor defectuoso 3. Capacitador defectuoso 4. Baja tensión de línea 5. Motor defectuoso 	<ol style="list-style-type: none"> 1. Presione el interruptor hacia adentro 1/2 pulg. o asegúrese de que esté en la posición de "ENCENDIDO". 2. Haga sustituir el interruptor. 3. Haga sustituir el capacitador. 4. Corrija la condición de baja tensión de línea 5. Reponga/repáre el motor <p>AVISO: 2, 3 y 4 deben ser realizados por un técnico calificado; comuníquese con el servicio de Sears.</p>
Motor calado (resultando en fusibles fundidos o disyuntores disparados)	<ol style="list-style-type: none"> 1. Sobrecarga del circuito 2. Bajo voltaje de línea 3. Impulsador atascado por astillas o escombros 4. Sobrecarga del motor 5. Fusibles incorrectos en los disyuntores de circuito 6. Cortocircuitado el motor; conexiones sueltas o aislamiento gastado en los avances 	<ol style="list-style-type: none"> 1. Reduzca la carga del circuito. 2. Corrija la condición de baja tensión de línea. 3. Limpie todas las mangueras, bolsas y la carcasa de astillas y escombros. 4. Reduzca la carga del motor. 5. Haga instalar los fusibles correctos en el disyuntor. 6. Inspeccione los terminales del motor por si existe aislamiento dañado y cables cortocircuitados; mande a sustituirlos.
Motor arranca con lentitud o no alcanza plena velocidad	<ol style="list-style-type: none"> 1. Devanado defectuoso del motor. 2. Capacitador defectuoso 	<ol style="list-style-type: none"> 1. Haga que repongan o reparen el motor. 2. Haga sustituir el capacitador.
Motor marcha demasiado caliente	<ol style="list-style-type: none"> 1. Restricción de la circulación de aire debido a la acumulación de polvo 2. Sobrecarga del motor 	<ol style="list-style-type: none"> 1A. Limpie el polvo y restaure la circulación normal del aire. 1B. Vacíe y limpie las bolsas de filtro y de recolección. 2. Reduzca la carga del motor.
Apertura frecuente de fusibles o disyuntores de circuito	<ol style="list-style-type: none"> 1. Fusibles o disyuntores carecen de capacidad suficiente 2. Circuito sobrecargado 3. Motor sobrecargado 	<ol style="list-style-type: none"> 1. Haga instalar los fusibles o disyuntores correctos. 2. Reduzca la carga del circuito (apague los demás enseres). 3. Reduzca la carga del motor.

PIEZAS

LISTADO DE PIEZAS DEL COLECTOR DE POLVO

MODELO NO. 152.213371

⚠️ ADVERTENCIA

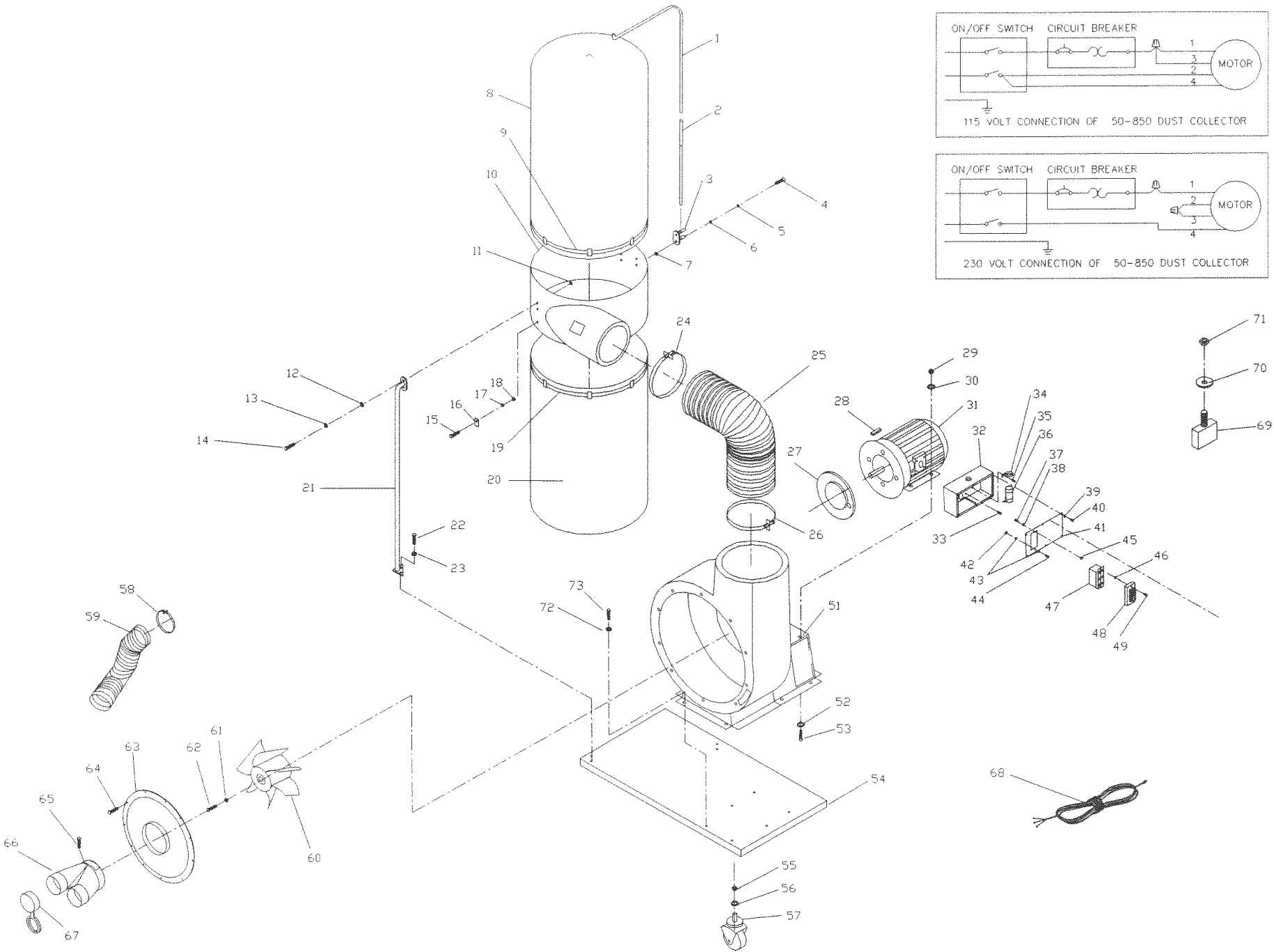
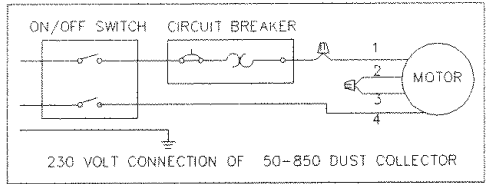
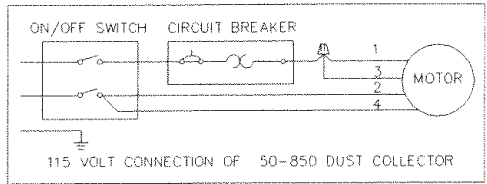
Sólo utilice piezas de repuesto CRAFTSMAN durante el servicio. El uso de cualquier otra pieza podrá crear un **PELIGRO** o daño al producto.

⚠️ ADVERTENCIA

Cualquier intento por reparar o reemplazar las piezas eléctricas en este Colector de Polvo podrá representar un **PELIGRO** a menos que las reparaciones sean llevadas a cabo por un técnico de servicio calificado. El servicio de reparaciones está disponible en su Centro de Servicio Sears más cercano.

Encargue siempre por NUMERO DE PIEZA y no por número clave.

No. Clave	No. Pieza	Descripción	Cantidad	No. Clave	No. Pieza	Descripción	Cantidad
1	OR90672	COLGANTE SUPERIOR (COLOR: PANTONE 877)	1	40	OR90685	TORNILLO DE CABEZA TRONCOCONICA M4.2 X 10 mm	6
2	OR90673	COLGANTE INFERIOR (COLOR: PANTONE 877)	1	41	OR90690	PLACA DEL INTERRUPTOR (COLOR: NEGRO)	1
3	OR90674	SOPORTE EN U (COLOR: PANTONE 877)	1	42	OR90374	TUERCA HEXAGONAL #10-24	1
4	STD523106	TORNILLO DE CABEZA HEXAGONAL 5/16-18 X 5/8 pulg.	2	43	OR90689	ARANDELA DENTADA EXT 3/16 pulg.	2
5	OR90615	ARANDELA DE CIERRE 5/16 pulg.	2	44	STD511003	TORNILLO DE CABEZA TRONCOCONICA #10-24 X 3/8 pulg.	1
6	STD551031	ARANDELA PLANA 5/16 pulg.	2	45	OR90692	TUERCA HEXAGONAL #6-32	2
7	STD541031	TUERCA HEXAGONAL 5/16-18	2	46	OR90693	ESPACIADOR	2
8	OR65979	BOLSA DE FILTRO, 30 MICRAS	1	47	OR90694	INTERRUPTOR	1
9	OR90675	ABRAZADERA DE BANDA	1	48	OR90695	ENSAMBLADO DE CUBIERTA DEL INTERRUPTOR	1
*10	OR90676	ENSAMBLADO DE TAMBOR (COLOR: PANTONE 877 INCLUYE: 1-OR90677, 2-OR90608 Y 1-OR90601	*1	49	OR90696	TORNILLO DE CABEZA REDONDA #6-32	2
11	STD541031	TUERCA HEXAGONAL 5/16-18	2	50	OR93766	ETIQUETA DE ESPECIFICACIONES DEL MOTOR	1
12	STD551031	ARANDELA PLANA 5/16 pulg.	2	*51	OR90697	ENSAMBLADO DE CARCASA DEL SOPLADOR (COLOR: PANTONE 877) INCLUYE: 1-OR90698, 1-OR90600 Y 1-OR90612	*1
13	OR90615	ARANDELA DE CIERRE 5/16 pulg.	2	52	OR90615	ARANDELA DE CIERRE 5/16 pulg.	6
14	STD523106	TUERCA DE CABEZA HEXAGONAL 5/16-18 X 5/8 pulg.	2	53	OR90635	TORNILLO DE CABEZA HEXAGONAL 5/16-18 X 5/8 pulg.	6
15	STD522506	TUERCA DE CABEZA HEXAGONAL 1/4-20 X 5/8 pulg.	8	54	OR90699	BASE (COLOR: NEGRO)	1
16	OR90706	PRESILLA DE RETEN	4	55	STD541037	TUERCA HEXAGONAL 3/8-16 pulg.	4
17	STD551025	ARANDELA PLANA 1/4 pulg.	8	56	OR90647	ARANDELA DE CIERRE 3/8 pulg.	4
18	STD541025	TUERCA HEXAGONAL 1/4-20	8	57	OR90700	RUEDA PIVOTANTE	4
19	OR90675	ABRAZADERA DE BANDA	1	58	OR65935	ABRAZADERA DE MANGUERA DE 4 pulg.	2
20	OR90713	BOLSA DE RECOLECCION, 30 MICRAS	1	59	OR90717	MANGUERA FLEXIBLE DE 4 pulg. DIAM X 6 pies	1
21	OR90705	SOPORTE DEL TAMBOR (COLOR: PANTONE 877)	3	60	OR90701	IMPULSOR	1
22	STD523106	TUERCA DE CABEZA HEXAGONAL 5/16-18 X 5/8 pulg.	6	61	STD551031	ARANDELA PLANA 5/16 pulg.	1
23	OR90615	ARANDELA DE CIERRE 5/16 pulg.	6	62	STD523107	TORNILLO DE CABEZA HEXAGONAL 5/16-18 X 3/4 pulg.	1
24	OR90678	ABRAZADERA DE MANGUERA 6 pulg.	1	63	OR90702	CUBIERTA (COLOR: PANTONE 877)	1
25	OR90707	MANGUERA FLEXIBLE 6 pulg.	1	64	OR90716	TORNILLO DE CABEZA TRONCOCONICA M4.2 X 12 mm	10
26	OR90678	ABRAZADERA DE MANGUERA 6 pulg.	1	65	OR90716	TORNILLO DE CABEZA TRONCOCONICA M4.2 X 12 mm	4
27	OR90708	EMPAQUETADURA	1	*66	OR90703	ENSAMBLADO DE ADMISION (COLOR: PANTONE 877) INCLUYE: 1-OR90704 Y 1-OR90601	*1
28	OR90709	LLAVE DEL EJE DEL MOTOR 5 mm x 5 mm x 27 mm	1	67	OR90650	TAPA DEL PUERTO DE ADMISION	2
29	STD541031	TUERCA HEXAGONAL 5/16-18	4	68	OR90711	CORDON	1
30	STD551031	ARANDELA PLANA 5/16 pulg.	4	69	OR90712	DISYUNTOR DE CIRCUITOS	1
31	OR90710	ENSAMBLADO DEL MOTOR (COLOR: NEGRO)	1	70	OR90726	ETIQUETA DEL DISYUNTOR DE CIRCUITOS	1
32	OR90682	CAJA DEL INTERRUPTOR (COLOR: NEGRO)	1	71	OR90715	TUERCA ESPECIAL	1
33	OR90683	TORNILLO DE CABEZA CILINDRICA Y PLANA M5 X 20 mm	4	72	OR90615	ARANDELA DE CIERRE 5/16 pulg.	6
34	OR90684	ABRAZADERA	1	73	STD523106	TORNILLO DE CABEZA HEXAGONAL 5/16-18 X 5/8 pulg.	6
35	OR90685	TORNILLO DE CABEZA TRONCOCONICA M4.2 X 10 mm	1	74	OR90718	CANDADO CON 2 LLAVES (NO ILUSTRADO)	1
36	OR90686	CAPACITADOR 200 uf	1	N/A	OR93765	MANUAL DEL PROPIETARIO PARA EL MODELO #213371 (NO ILUSTRADO)	1
37	OR90687	TORNILLO DE CABEZA TRONCOCONICA #6-32 X 5/16 pulg.	2				
38	OR90688	ARANDELA DENTADA EXT #6	2				
39	OR90689	ARANDELA DENTADA EXT 3/16 pulg.	6				



◆ NOTAS ◆

Get it fixed, at your home or ours!

Your Home

For repair – in your home – of all major brand appliances, lawn and garden equipment, or heating and cooling systems, no matter who made it, no matter who sold it!

For the replacement parts, accessories and owner's manuals that you need to do-it-yourself.

For Sears professional installation of home appliances and items like garage door openers and water heaters.

1-800-4-MY-HOME[®] (1-800-469-4663)

Anytime, day or night (U.S.A. only)

www.sears.com

Our Home

For repair of carry-in products like vacuums, lawn equipment, and electronics, call or go on-line for the location of the nearest **Sears Parts & Repair Center.**

1-800-488-1222

Anytime, day or night (U.S.A. only)

www.sears.com

To purchase a protection agreement on a product serviced by Sears:

1-800-827-6655 (U.S.A.)

1-800-361-6665 (Canada)

Para pedir servicio de reparación a domicilio, y para ordenar piezas:

1-888-SU-HOGARSM
(1-888-784-8427)

Au Canada pour service en français:

1-800-LE-FOYER^{MC}
(1-800-533-6937)
www.sears.ca

SEARS

® Registered Trademark / ™ Trademark / SMService Mark of Sears, Roebuck and Co.

® Marca Registrada / ™ Marca de Fábrica / SMMarca de Servicio de Sears, Roebuck and Co.

MC Marque de commerce / ^{MP}Marque déposée de Sears, Roebuck and Co.

© Sears, Roebuck and Co.