

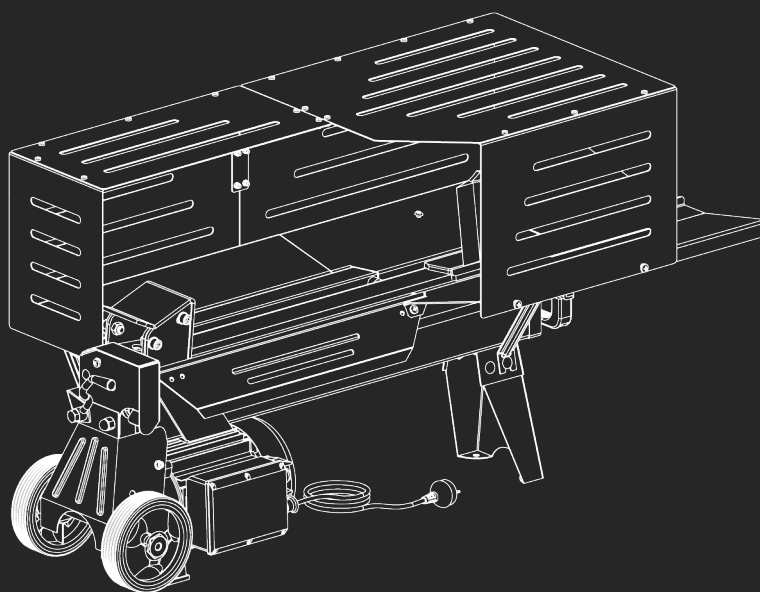
HYUNDAI
POWER PRODUCTS

HORIZONTAL LOGSPLITTER HYLS7000HE, HYLS5000HE

Instruction Manual



GENUINE PRODUCT OF
HYUNDAI CORPORATION



WARNING: Read the instructions carefully before use.

Iss:Jul/25



Contents

Introduction.....	3	Wiring & Hydraulic Diagrams.....	35
Safety Information.....	4-14	Recycling And Disposal.....	36
Understand Your Machine.....	4	Declaration Of Conformity.....	37
Personal Safety.....	4-5	Notes.....	38
Inspect Your Machine.....	5-6	Useful Information.....	39
Work Area.....	6	Our YouTube Channel.....	39
During Use.....	7	Warranty.....	39
Hydraulic Safety.....	8	Manual Updates.....	39
Electricity.....	10	Returning Your Product.....	39
Double Insulated Devices.....	10	Leaving A Review.....	39
Vibrations.....	11	Ordering Spare Parts.....	39
Noise.....	11	Product Record.....	40
Residual Risks.....	11	Contact Us.....	41
Intended Use.....	12		
Personal Protective Equipment.....	13		
Symbols On The Machine.....	14		
Unboxing.....	15		
In The Box.....	16		
Features.....	17		
Assembly.....	18-19		
Lifting Handle.....	18		
Log Tray.....	18-20		
Guard.....	20		
Operation.....	21-25		
Bleed Screw.....	21		
Max Pressure Limiting Screw.....	21		
Transporting Machine.....	22		
Application Conditions.....	23		
Splitter Operation.....	23-25		
Freeing a Jammed Log.....	26		
Maintenance & Care.....	27-33		
General Cleaning.....	27		
Replacing Hydraulic Oil.....	28		
Oil Level.....	29		
Sharpening Wedge.....	29		
Parts Diagram & List.....	30-32		
Troubleshooting.....	33		
Specifications.....	34		

Introduction

Thank You For Purchasing Your HYUNDAI Product

We work very hard to give all of our customers the best possible service. If you have any problems, before leaving negative feedback, please contact us to give us a chance to resolve the issue. We would be delighted if you left us positive feedback! Thank you for purchasing this product.

Important!



WARNING: READ THE INSTRUCTION BOOKLET THOROUGHLY BEFORE USING THE MACHINE. Keep for future reference and pass it on if the machine is loaned or sold to another user.

This manual has been produced by Hyundai Power Products and should be kept with the product. Please read and understand these instructions before you use your product. Failure to do this may result in personal injury or damage to the product.

The safety precautions and warnings are to ensure your safety and protect you from harm or damage to the product.

The information contained in this manual was accurate at the time of production, however HYUNDAI Power Products may make modifications to the product without notification.

Safety Information

Understand Your Machine

- **WARNING!** You must read these instructions carefully before operating the machine. Make sure that you are familiar with the controls and properly operate the machine. You must learn how to stop the machine quickly. If you do not follow the warnings and instructions, it may result in fire and/or serious injury. Make sure to save all warnings and instructions for future reference.
- Read this manual and labels affixed to the machine to understand its limitations and potential hazards.
- Be thoroughly familiar with the controls and their proper operation. Know how to stop the machine and disengage the controls quickly.
- If the unit is to be used by someone other than original purchaser, or is to be loaned, rented, or sold, always provide this manual and any needed safety training before operation. The user can prevent and is responsible for accidents or injuries that may occur to themselves, to other people, or to property.
- Do not force the machine beyond its limits. Use the correct machine for your application.
- Know how to stop the machine quickly in case of emergency. Understand the use of all controls.
- ALL MAINTENANCE other than that listed in this manual, should be carried out by professionally trained and certified personnel.
- When using this machine for the first time and before actual work, you **MUST** learn how to handle the machine from an experienced or skilled person.

Personal Safety

- **WARNING!** Never allow children or people unfamiliar with these instructions to use the product. Local regulations can restrict the minimum age of the operator.
- Keep children, pets, and other people not using the unit away from the work area (at least 15m). Be alert and shut off the unit if anyone enters work area. Keep children under the watchful care of a responsible adult.
- Stay alert, watch what you are doing and use common sense when operating the machine. Never operate the machine when unwell or tired, or if you have taken alcohol, medicine, drugs or any substances which may slow your reflexes and compromise judgment. A moment of inattention while operating the machine may result in serious personal injury.
- Appropriate Personal Protective Equipment (PPE), **MUST** be worn at all times when operating or repairing the machine. Always wear anti-slip and resistant work footwear and long trousers while using the machine. Do not use the machine when barefoot, wearing sandals or similar lightweight footwear. Do not wear chains, bracelets or clothing that is loose fitting or hanging ties or cords. Tie long hair back. Always wear protective earplugs. Loose clothes, jewellery, or long hair can be caught in moving parts. Protect eyes, face, and head from objects that may be thrown from the unit. Always wear safety goggles or safety glasses with side shields when operating.
- Always keep hands and feet away from all moving parts during operation. Moving parts can cut or crush body parts. Always keep hands and feet away from all pinch points.

Safety Information

Personal Safety (Continued)

- Do not touch parts that might be hot from operation. Allow parts to cool before attempting to maintain, adjust, or service.
- Do not overreach. Keep proper footing and balance at all times. This enables better control of the machine in unexpected situations. Extending your body too far can result in a loss of balance and you may fall which will result in injury.
- Never place any part of your body where it would be in danger if movement should occur during assembly, installation, and operation, maintenance, repairing or moving.
- Keep in mind that the operator or user is responsible for accidents, hazards or unexpected events involving the machine that occur to other people or their property. It is the responsibility of the user to assess the potential risk of the area where work is being carried out. The operator or user must take all necessary precautions to ensure their own safety and that of others, especially on slopes or rough, slippery and unstable ground.

Inspect Your Machine

- Check your machine before starting it. Keep guards in place and in working order. Make sure all nuts, bolts, etc., are securely tightened.
- You must check the general condition of the machine before use.
- Never operate the machine when it is in need of repair or is in poor mechanical condition. Replace damaged, missing, or failed parts before using it. Check for fuel leaks. Keep the machine in safe working condition.
- Do not use the machine if the machine's switch does not turn off the machine when running. Any machine that can't be controlled with the switch is dangerous and must be replaced.
- Regularly check to see that keys and adjusting wrenches are removed from the machine area before starting it. A wrench or a key that is left attached to a rotating part of the machine may result in personal injury.
- If the machine should start to vibrate abnormally, stop the machine and check immediately for the cause. Vibration is generally a warning sign of trouble.
- Avoid accidental starting. Be sure the switch is off before transporting the machine or performing any maintenance or service on the unit. Transporting or performing maintenance or service on a machine with its switch on invites accidents.
- Do not tamper with or disable safety systems.
- Only use manufacturer-recommended attachments.
- Before using, always visually inspect to see that the tools are not worn out or damaged. Replace worn out or damaged elements and bolts in set to preserve balance.
- Keep the machine in good operating condition. Operating the machine in poor or questionable condition could result in serious injury.
- Be sure all safety devices are in working order and warning labels are in place. These items are installed for your safety.

Safety Information

Work Area

- You must only work in daylight or with good artificial light in good visibility conditions. Do not work at night, at times of heavy fog, or at any other times when your field of vision might be limited and it would be difficult to gain a clear view of the area.
- Keep people, children and animals away from the working area.
- Operate on flat, level ground.
- DO NOT work on wet ground. If there has been heavy rain on the working site, wait until the ground has dried up.
- Never park the machine in a place with unstable ground which could give way.
- You must be careful near ravines, ditches or embankments.
- Exercise extreme caution when operating on or crossing gravel drives, walks, or roads. Stay alert for hidden hazards or traffic.
- Do not work in the rain, when there is a thunderstorm or lightning risk, at times of strong or gale force winds, or at any other times when the weather conditions might make it unsafe to use this product. If there is bad weather conditions, do not use the machine.
- Make sure you thoroughly inspect the entire work area and remove all objects and anything that could be thrown by the machine or could damage the machine (branches, stones, wire, toys, etc). Attempting to clear the work area whilst using the machine will reduce your concentration and creates a trip hazard. Any liquid spilled on the floor may result in you slipping.
- Find and locate all fixed objects in the ground, such as sprinkler systems, poles, water valves, bases for washing lines etc. Make sure that you check for hidden electrical cables or similar on the surface of the lawn. ALWAYS run the machine around these objects. NEVER run the machine over foreign objects.
- DO NOT operate power tools in explosive atmospheres, such as in the presence of flammable liquids, gases or dust. Power tools may create sparks, which may ignite the dust or fumes.
- This machine is only for outdoor use.

Safety Information

During Use

- Do not operate the machine in confined areas where there may be a risk of crushing the operator between the machine and another object.
- Never attempt to make any adjustments, while the machine is running.
- You must switch off the machine:
 - Before checking or working on the machine.
 - When transporting the machine.
 - Whenever you leave the machine unattended.
 - If the machine starts to vibrate abnormally.
- **WARNING!** If something breaks or an accident happens whilst working, you must turn off the machine immediately and move the machine away to prevent further damage. If an accident happens with injuries or third parties are injured, carry out the first aid measures most suitable for the situation immediately and contact the medical authorities for any necessary health care. Carefully remove any debris that might cause damage or harm persons or animals should it not be seen.
- After striking a foreign object, stop the machine immediately and inspect the machine thoroughly for damage. Repair the damage before continuing.
- Keep extension cord away from cutting elements.
- Never operate the machine with damaged guards or without the guard in place.
- Keep hands and feet away from the cutting means at all times especially when switching on the motor.

Safety Information

Hydraulic Safety

Hydraulic systems on mini dumpers can present several safety concerns, primarily related to high-pressure fluid, mechanical movement, and the potential for equipment failure. Key hydraulic safety concerns are listed below.

To mitigate the following risks, users should always safely operate the machine, conduct regular inspections; and wear personal protective equipment (PPE) such as gloves, goggles, and long sleeves. It's also crucial to ensure that any maintenance is done with the system fully depressurized.

High-Pressure Fluids Hazards

Injection Injuries: Hydraulic systems operate at high pressures, and a small leak or pinhole can release fluid at a high velocity, causing injection injuries if it penetrates the skin. These injuries are serious and require immediate medical attention.

Burns and Chemical Exposure: Hydraulic fluid can be very hot and may cause burns on contact. The fluids can also be harmful if inhaled or ingested; it can cause internal burns/bleeding, poisoning loss of limbs or death.

Chemical Exposure to Skin or Eyes: When skin is exposed to hydraulic fluid it can cause burns and/or irritation. IMMEDIATELY wash exposed skin with soap and water. Similarly eye exposure can cause burns and/or irritation, eyes should be flushed with water IMMEDIATELY

Risks of Hydraulic Failure

Unintended Movement: Hydraulic failures can result in uncontrolled movements of the dumper bed, leading to tip-overs or drops if it fails while raised.

Load Dropping: Hydraulic leaks or bursts can cause the bed to lower unexpectedly, putting anything under or around the load at serious risk.

Overheating: Overheating of hydraulic components can lead to system failure, leaks, or even fires in extreme cases.

Pinch and Crush Hazards

Moving Parts: Hydraulics control various moving parts in the dumper; these create pinch points where limbs or clothing could get caught.

Unexpected Pressure Release: When releasing or adjusting hydraulic components, residual pressure can suddenly move parts of the machine or components that are not safely depressurized.

Improper Maintenance

Improper Maintenance:

Faulty Components: Old, worn-out, or improperly fitted hydraulic components are more likely to leak or fail.

Loose Fittings and Connections: Regular inspection and tightening are necessary to prevent leaks and potential system failures, as loose connections can compromise the entire system.

Environmental Hazards

Environmental Hazards:

Hydraulic Fluid Spills: Spilled hydraulic fluid is hazardous to the environment and makes surfaces slippery, increasing the risk of slips and falls around the equipment.

Safety Information

Electricity (Where Applicable)

DANGER : ELECTRICITY CAN KILL – NEVER WORK ON LIVE / ENERGISED EQUIPMENT.



- Prior to carrying out any maintenance work you **MUST** identify electrical isolation methods and isolate all electrical supplies.
- Prior to use and with all electrical supplies isolated, you **MUST** check all electrical cables, plugs and connectors for the following;
 - Are intact and have no signs of damage, to include but not limited to bare wires, chaffing, cuts and loose wiring.
 - If there are any signs of damage, the damaged item **MUST** be taken out of service until the damage has been repaired by an electrically competent person.
 - All trailing cables should be routed so as not to cause any kind of trip hazard.
 - **NEVER** work on or near electricity with wet hands, wet clothing and wet gloves.
- Power tools plug must match the outlet. Never modify the plug in any way. **DO NOT** use any adapter plugs with earthed (grounded) power tools. Unmodified plugs and matching outlets will reduce risk of electric shock.
- **DO NOT** expose this power tool to rain or wet conditions. Water entering a power tool will increase the risk of electric shock. **DO NOT** abuse the power cord. Never use the cord for carrying, pulling or unplugging the power tool. Keep the cord away from heat, oil and sharp edges or moving parts. Damaged or entangled cords increase the risk of electric shock. When operating a power tool, use an extension cord suitable for outdoor use. Use of a cord suitable for outdoor use reduces the risk of electric shock.
- **IMPORTANT:** Make sure that the electric circuit is fused, and that the power, voltage and frequency of the motor is supported by your mains supply. Also, make sure that your power supply is earthed. Connect your machine to earth. Never open the ON/OFF switchbox. However, if it should become necessary to do so, contact a qualified electrician. Make sure that you will never touch live contacts, specifically when you plug or unplug your machine. This machine and its power cord must never get into contact with water.
- Avoid body contact with earthed or grounded surfaces such as pipes, radiators, ranges and refrigerators. There is an increased risk of electric shock if your body is earthed or grounded.

Safety Information

Electricity (Continued)

- To prevent electric shock, use only with an extension cord suitable for outdoor use. For additional protection, the installation of a residual current device (RCD) having a rated residual operating current not exceeding 30mA is advisable.
- Before use, check that the extension cord is in good condition. When using an extension cord, make sure to use one heavy enough to carry the current your product will draw. An undersized cord will cause a drop in line voltage resulting in loss of power and overheating.
- Do not allow any part of the machine to make contact with water while it is in operation. If the appliance becomes wet while turned off, wipe dry before starting. Do not touch the appliance or its plug with wet hands or while standing in water. Wearing rubber boots offers some protection.
- Before use, check the supply and extension cord for signs of damage or aging. If the cord becomes damaged during use, disconnect the cord from the supply immediately. If the supply cord is damaged, it must be replaced by the manufacturer or a qualified person in order to avoid a hazard.

Double-Insulated Appliances

In a double-insulated appliance, two systems of insulation are provided instead of grounding. No grounding means that it is already provided on a double-insulated appliance. Servicing a double-insulated appliance requires extreme care and knowledge of the system, and should be performed only by qualified service personnel. Replacement parts for a double-insulated appliance must be identical to the parts they replace.

Safety Information

Vibrations (Where Applicable)

- Prolonged use of hand held (operated) machines will cause the user to feel the effects of/from vibrations. These vibrations can lead to white finger (Raynaud's phenomenon) or carpal tunnel syndrome. This condition reduces the ability of the hand to feel and regulate temperature, causing numbness and heat sensations and may cause nerve damage and circulatory tissue death.
- Not all factors that lead to white finger disease are known, but cold weather, smoking and other diseases that affect blood vessels and blood circulation as well as large and long-lasting impact of shocks are considered factors in the formation of white finger. Note the following to reduce the risk of white finger and carpal tunnel syndrome;
- Wear gloves and keep your hands warm.
- Take regular breaks.
- All of the above precautions may help reduce the risk of white finger disease but not rule out the carpal tunnel syndrome. Long-term and regular users are therefore recommended to observe the condition of your hands and fingers. Seek medical attention immediately if any of the above symptoms should occur.

Noise (Where Applicable)

- The operating noise of the machine can damage your hearing. When wearing protection such as earplugs or ear defenders to protect your hearing. Long-term and regular users are advised to have hearing checked regularly. Be especially vigilant and cautious when wearing ear protection because your ability to hear alarm warnings will be reduced.
- Noise emissions for this equipment is unavoidable. Carry out noisy work at approved times and for certain periods. Limit the working time to a minimum. For your personal protection and protection of people working nearby it is also advisable for them to wear hearing protection.



- See Certificate of Conformity section for Outdoor Noise declaration of conformity.

Residual Risks

Even when tool is used as prescribed it is not possible to eliminate all residual risk factors. The following hazards may arise in connection with the tool's construction and design:

1. Damage to lungs if an effective dust mask is not worn.
2. Damage to hearing if effective hearing protection is not worn.

Health defects resulting from vibration emission if the power tool is being used over longer period of time or not adequately managed and properly maintained.

▲ WARNING! This machine produces an electromagnetic field during operation. This field may under some circumstances interfere with active or passive medical implants. To reduce the risk of serious or fatal injury, we recommend persons with medical implants to consult their physician and the medical implant manufacturer before operating this machine.

Safety Information

Intended Use

The HYLS7000HE & HYLS5000HE are Log Splitters from Hyundai. The HYLS7000HE has a maximum working force of 7 Tons and is powered by a 2300W motor. The HYLS5000HE has a maximum working force of 5 Tons and is powered by a 2200W motor.

The operator is able to operate the machine and use the main controls, always staying behind the handle at a safe distance from the rotating blade. If the operator leaves the machine, the motor and cutting means will stop within a few seconds.

The Log Splitter is manufactured according to the latest safety requirements. Every precaution is only effective when it is followed exactly.

Intended Use

The basic version of the equipment is a log splitter intended for private use, i.e. for use in home and gardening environments.

The machine is suitable to be used outside with temperatures of a maximum of 32°C

User Types

This machine is intended for use by consumers, i.e. non professional operators. The machine is intended for “DIY” and domestic use only.

Improper Use

Any other usage not in keeping with the above mentioned ones may be hazardous and harm persons and/or damage things. Examples of improper use may include, but are not limited to:

- Use as work surface for anything other than splitting logs
- Use on normal lumber/timber to cut/trim
- Use of the machine by more than one person.

Safety Information

Personal Protective Equipment

Appropriate Personal Protective Equipment (PPE), MUST be worn at all times when operating or repairing the machine. No protective equipment can ensure 100% protection.

When selecting PPE, make sure it's CE marked and it suits the user in terms of size, fit, etc. If more than one item of PPE is worn at the same time, make sure they can be used together, e.g. wearing safety glasses may disturb the seal of a respirator, causing air leaks.



Hand Protection Must Be Worn

Protective electrically non-conductive gloves are highly recommended when working.



Foot Protection Must Be Worn

Non-skid heavy duty footwear are highly recommended when working.



Hearing Protection Must Be Worn

Suitable safety hearing protection is recommended.



Eye Protection Must Be Worn

Always wear safety glasses/goggles and/or face shields. Everyday eyeglasses have only impact resistant lenses; they are not safety glasses/goggles.



Protective Clothing Must Be Worn

Do not wear loose clothing, gloves, scarfs, neckties or jewellery (rings, wrist watches), which can be caught in moving parts.



Head Protection Must Be Worn

Wear a safety helmet with a safety visor.













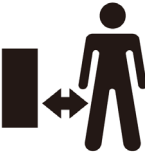



Face Shield Must Be Worn

Wear a face shield to protect your face.

Safety Information

⚠ Symbols On The Machine

We have provided safety messages in this manual and on the machine. This information alerts you to potential hazards that could hurt you or others. Please read these messages carefully. However, we may not have listed all of the possible hazards, you must also use your own judgement.

Symbol	Description	Symbol	Description
	Safety alert – Indicates a precaution, a warning or a danger.		Danger! Electric shock risk.
	Do not expose to rain.		Class II tools symbol.
	Read operator's manual.		Keep bystanders at a safe distance away from the work area.
	Dispose of the used oil in an environment-friendly way.		This product complies with the European directives and an evaluation method of conformity for these directives was done.
	Never Try to Attempt to remove jammed logs with your hands		DANGER! Moving Parts
	Keep bystanders at a safe distance away from the work area.		Switch off and unplug the device before cleaning or performing maintenance on it.
	This product should not be disposed of in domestic waste. Please contact your local recycling centre for disposal service.		Do not use the machine if the cable is damaged.

Unboxing

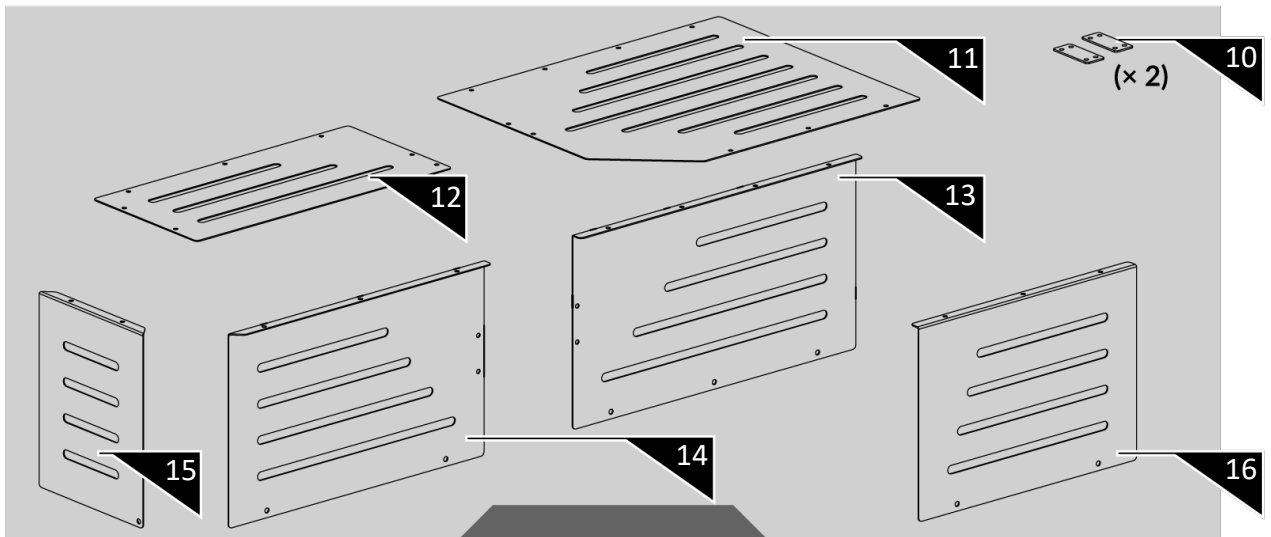
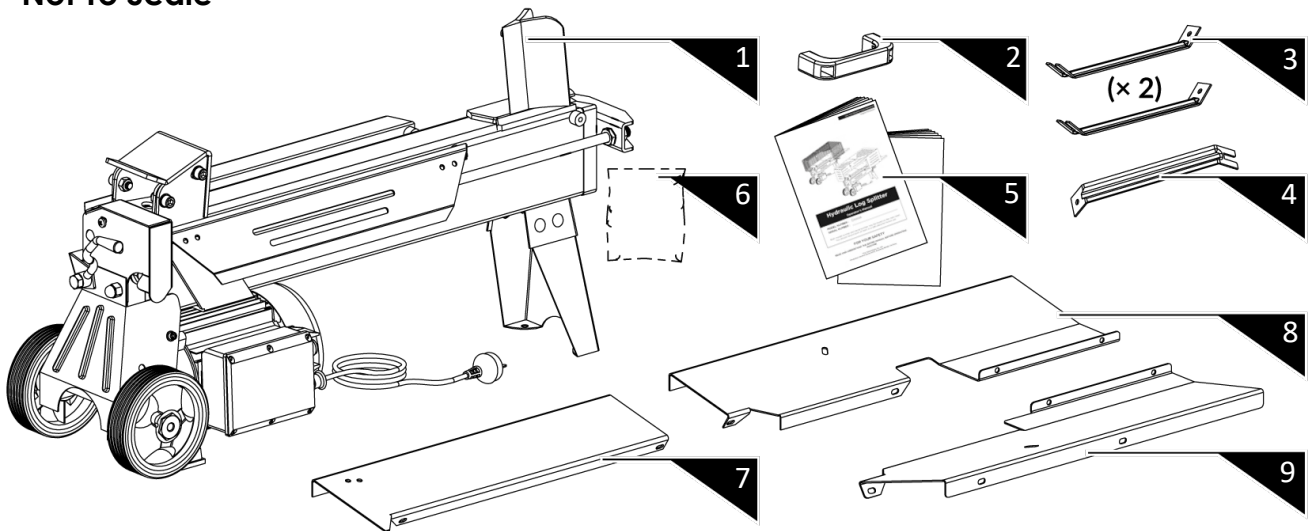
⚠ WARNING : Unboxing and assembling the machine should be done on a flat, surface with enough room. Disposal of the packaging should be done in accordance with the local regulations in force.

⚠ WARNING : Some of the packaging material may be harmful to children. Keep out of reach of children.

1. Carefully remove the product from the packaging and examine it for any sign of damage caused during shipping.
2. Lay the contents out and check them. If any part is damaged or missing, you must not use the machine. Contact HYUNDAI POWER PRODUCTS immediately.
3. You must keep the packaging material in case the machine needs to be returned or repaired.
4. Ensure that you have all the accessories and tools you need for assembly and operation including the suitable personal protective equipment.

In The Box

*Not To Scale



1. Log Splitter Body
2. Transport Handle
3. Support Strut 1 (1 Pair)
4. Support Strut 2
5. Instruction Manual
6. Hardware/Fixings Bag
7. Guard Bottom Plate
8. Log Tray 1
9. Log Tray 2
10. Plate Connector
11. Top Guard Plate 1
12. Top Guard Plate 2
13. Rear Guard Plate 1
14. Rear Guard Plate 2
15. Left Guard Plate
16. Front Guard Plate

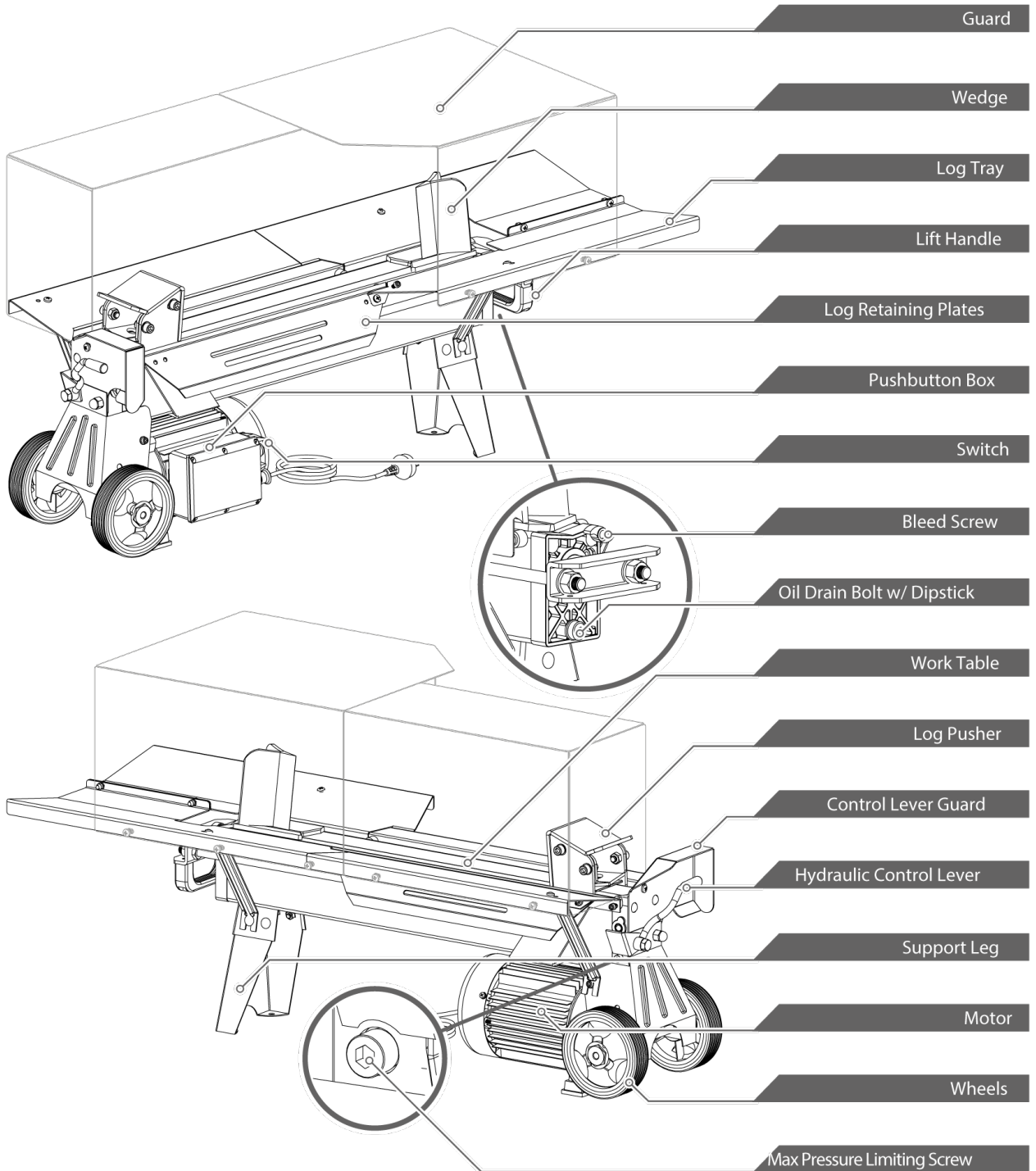
Hardware/Fixings Bag Contents

	M6 × 16	× 2	A
	M6 × 12	× 1	B
	M6 × 12	× 2	
	M6 × 12	× 1	C
	M6 × 12	× 1	
	M6 × 12	× 1	
	M6 × 12	× 1	D
	M6 × 12	× 1	
	M6 × 12	× 1	E
	M6 × 12	× 2	

STEEL GUARD

	M6 × 12	× 8	F
	M5 × 12	× 20	G

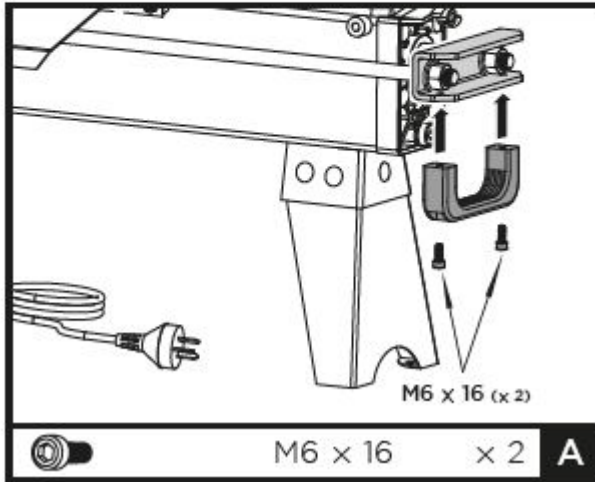
Features



ASSEMBLY

Lifting Handle

Mount the lifting handle to the U bracket with two M6x16 bolts.

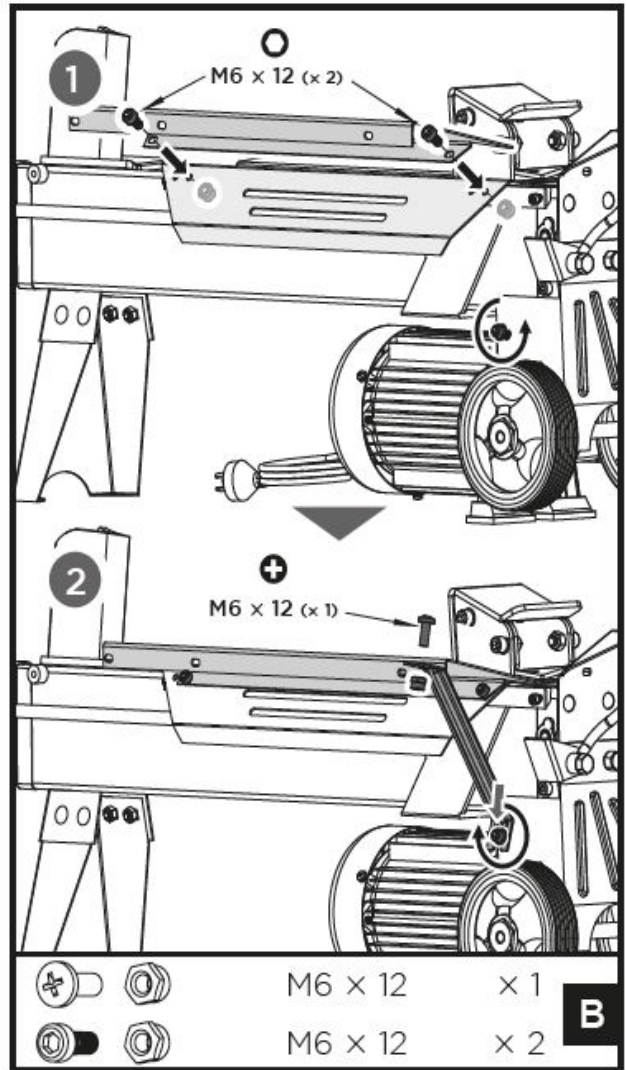


Log Tray

1. Mount the guard bottom plate to rear guiding plate and secure with two M6x12 socket head cap screws and locknuts.

Loosen the socket head cap screw and big washer on the wheel bracket, insert the open end of support strut 2 between the big washer and wheel bracket and tighten screw.

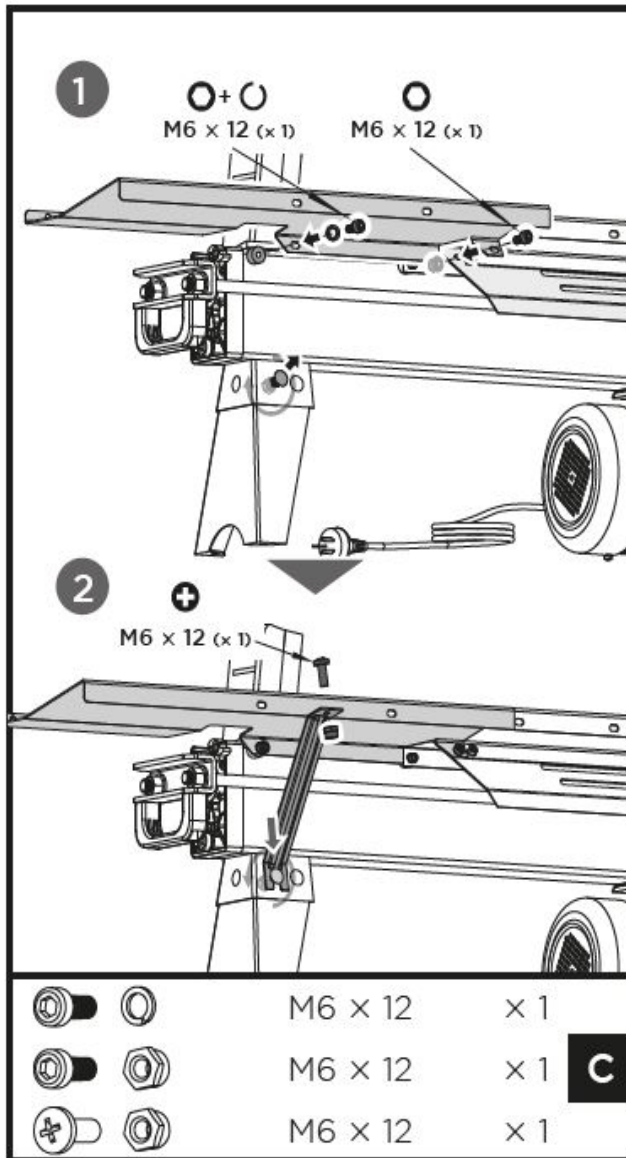
Connect the upper end of support strut 2 to the guard bottom plate with cross recessed pan head screw M6x12 and locknut M6 and then tighten it.



2. Align the two mounting holes of the log tray 1 to the holes on rear side of the splitter. Insert one socket head cap screw M6x12 and spring washer 6 into the mounting hole on left side and the other socket head cap screw M6x12 and locknut M6 on right side and securely tighten both.

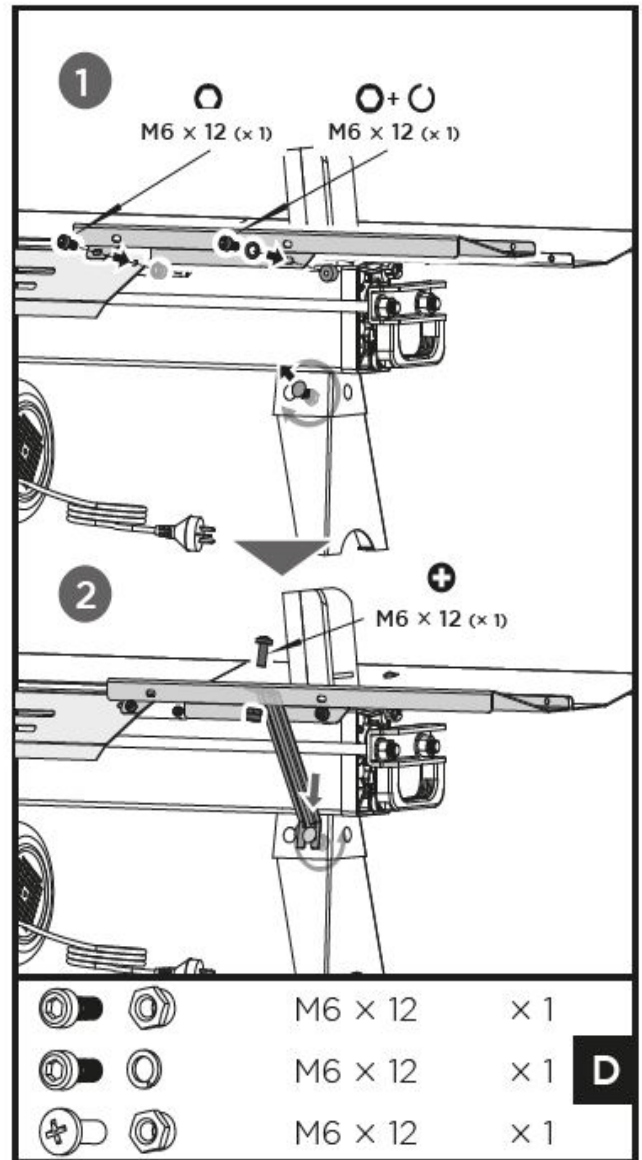
Assembly

Loosen the cup head bolt and nut on left side of the front leg, insert the open end of support strut 1 onto the bolt and then tighten the nut. Connect the upper end of support strut 1 to the log tray 1 with cross recessed pan head screw M6×12 and locknut M6 and then tighten it.



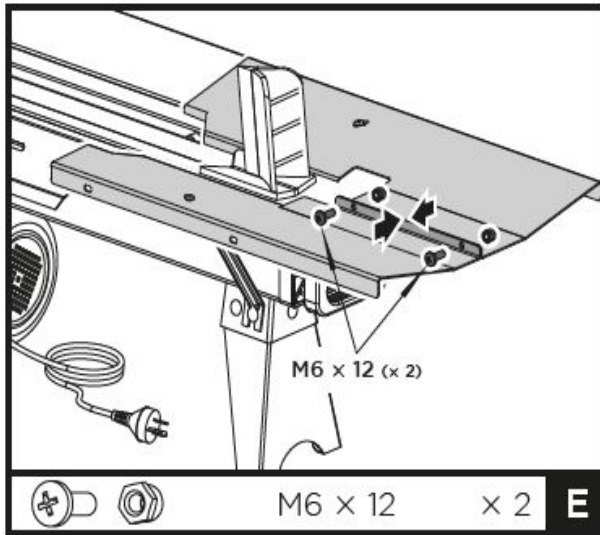
3. Align the two mounting holes of the log tray 2 to the holes on front side of the splitter. Insert one socket head cap screw M6×12 and spring washer 6 into the mounting hole on right side and the other socket head cap screw M6×12 and locknut M6 on left side and securely tighten both.

Loosen the cup head bolt and nut on right side of the front leg, insert the open end of support strut 1 onto the bolt and then tighten the nut.

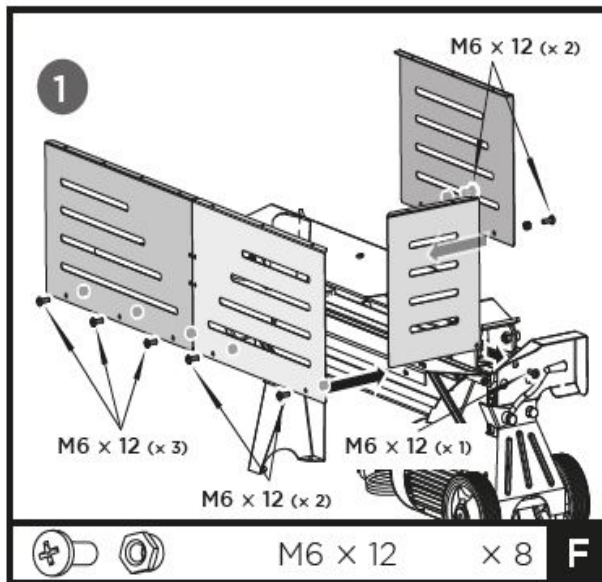


Assembly

4. Connect log tray 1 and log tray 2 with two M6x12 screws and locknuts.

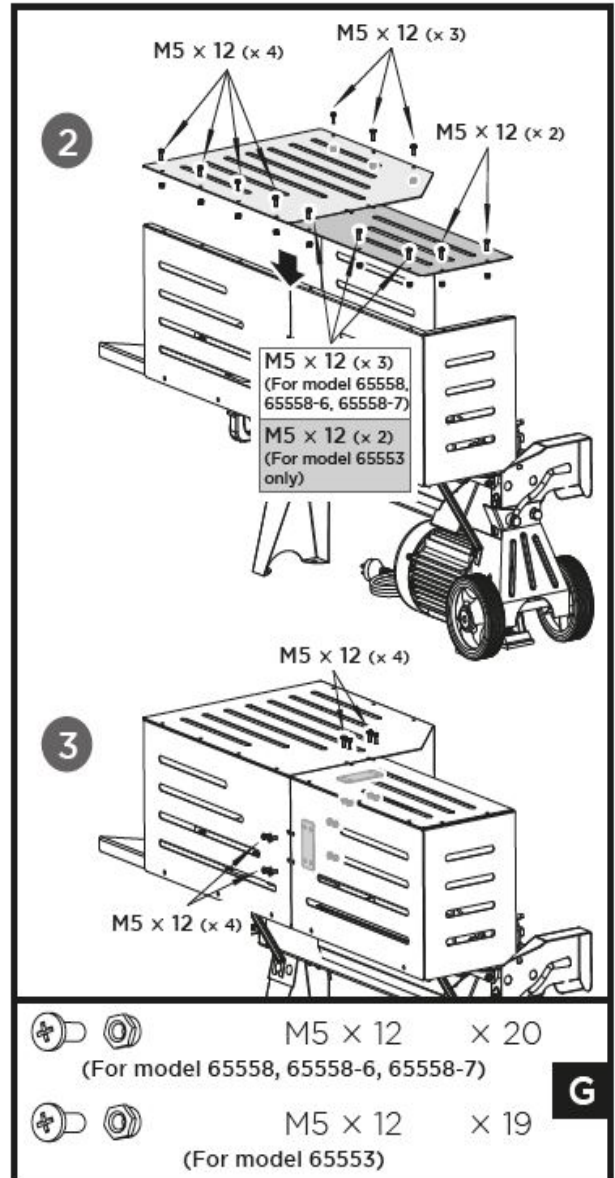


1. Attach the front guard plate, left guard plate and two rear guard plates to the log tray and bottom plate with M6x12 bolts and nuts.



2. Mount the two top guard plates to the vertical plates with M5x12 bolts and nuts.

3. Connect two top guard plates / rear guard plates with the plate connectors and M5x12 bolts and nuts.



2. Mount the two top guard plates to the vertical plates with M5x12 bolts and nuts.

3. Connect two top guard plates / rear guard plates with the plate connectors and M5x12 bolts and nuts.


Bleed Screw

Before operating the log splitter, ensure the bleed screw is fully tightened. Then back it off and loosen by 1.5 turns. Air must be able to pass through the bleed screw, but it must remain in place during operation.



Air flow through the bleed screw should be detectable whilst the log splitter is operating.

Before moving the log splitter, make sure the bleed screw is tightened to avoid hydraulic fluid leaking during transport.




Failure to loosen the bleed screw will keep the sealed air in hydraulic system being compressed after being decompressed. Such continuous air compression and decompression will blow out the seals of the hydraulic system and cause permant damage to the log splitter.

Max Pressure Limiting Screw

Max pressure was set before the log splitter ex work and the max pressure limiting screw is sealed with glue to ensure the log splitter works under pressure no more than 4(5/6/7) tons. The setting was done by qualified mechanic with professional instruments.

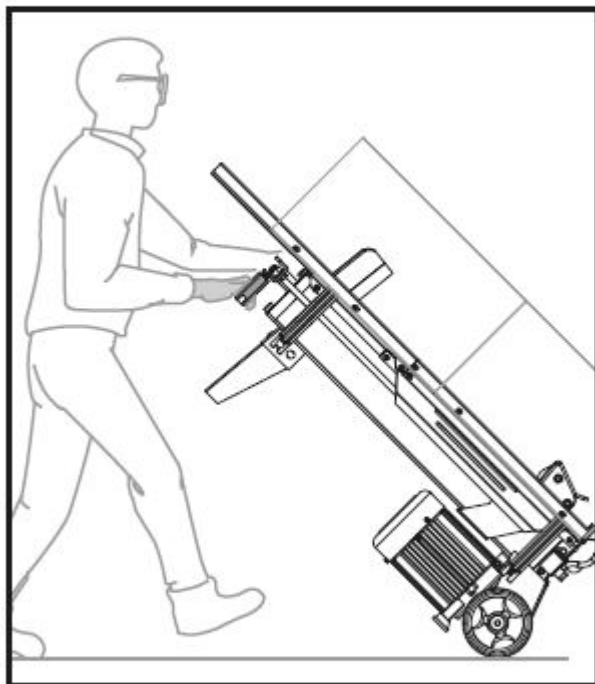
Unauthorized resetting will cause the hydraulic pump fail to output enough splitting pressure or **RESULT IN SERIOUS INJURY AS WELL AS DAMAGE TO THE MACHINE**.



DO NOT ADJUST THE MAX PRESSURE LIMITING SCREW !

TRANSPORT

The log splitter is equipped with 2 wheels for minor moving. To move the log splitter to the work site.



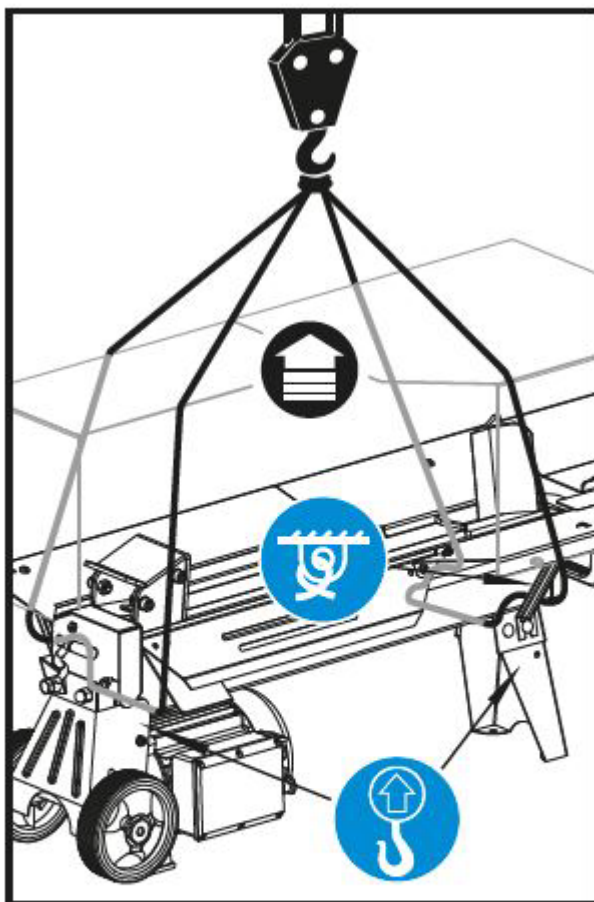
Do not transport the log splitter with wood loaded!

DELIVERING LOG SPLITTER TO WORK SITE

The log splitter is equipped with 2 wheels for minor moving. To move the log splitter to the work site. Grip the handle to tilt the log splitter slightly after making sure the oil tank cover is tightened.

For a Long Distance Transport

Fasten the log splitter at the positions with bundling marks after lifting it into the truck, to avoid free movement of the log splitter.



If using a crane, lay hoist sling at the lifting point. Never try to lift the log splitter at the Handle.

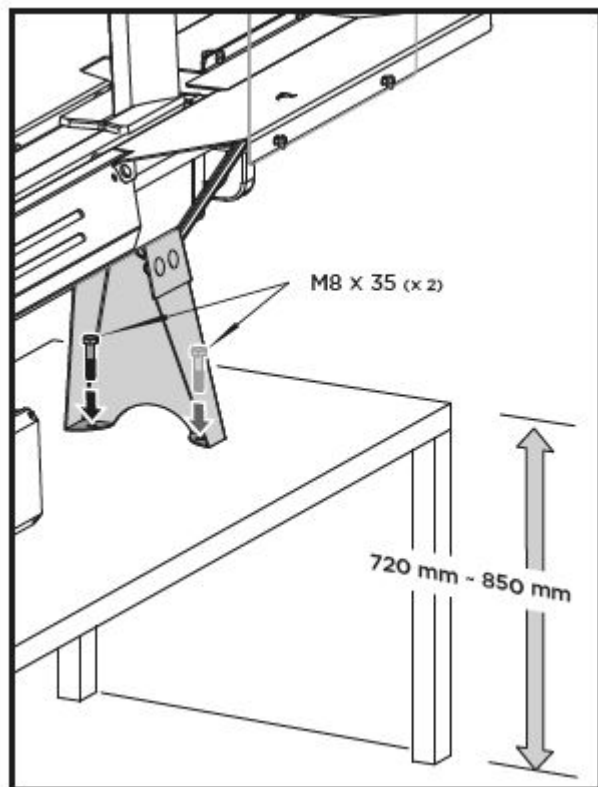
Operation

Application Conditions

This log splitter is a home use model. It is designed for operating under ambient temperatures between +5°C and 40°C and for installation at altitudes no more than 1000m above M.S.L. The surrounding humidity should be less than 50% at 40°C. It can be stored or transported under ambient temperatures between -25°C and 55°C.

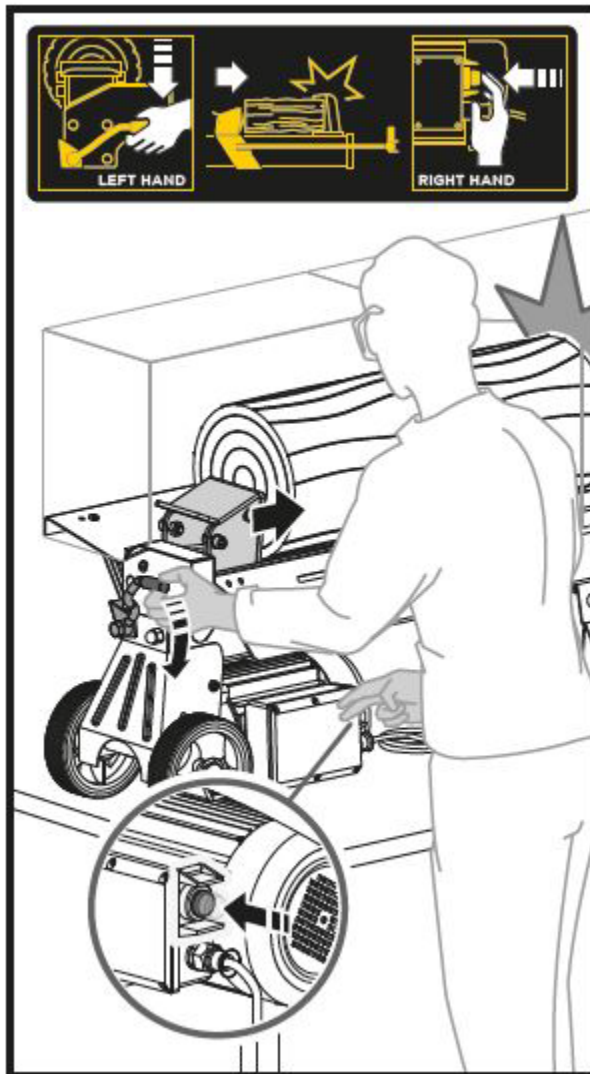
Before operation, put the log splitter on a 72-85cm high, stable, flat and level work bench or high stand and make sure it is bolted to the ground.

Fix the support leg of the log splitter with two bolts M8X35(A) on the worktop.

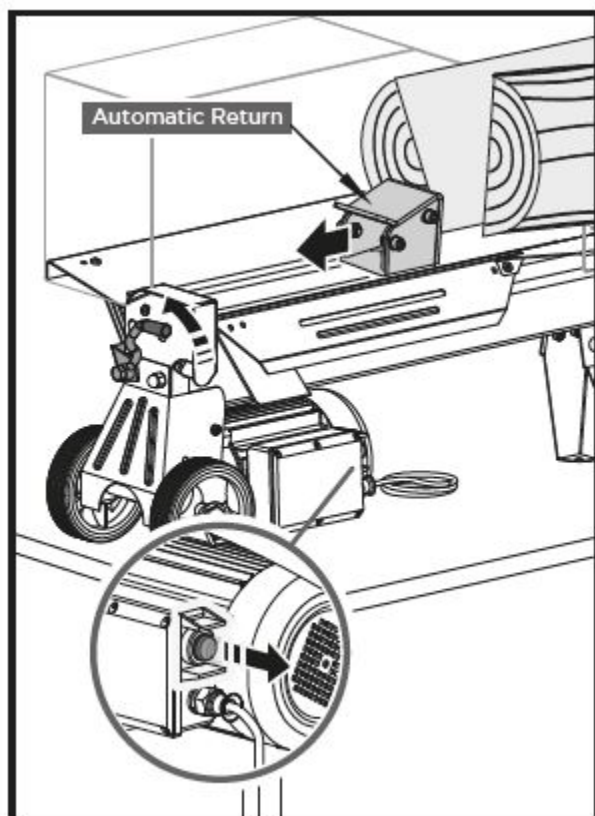


Splitting - Two Hands Operation

This log splitter is equipped with a "ZHB" control system that requires to be operated by both hands of the user. The left hand controls the hydraulic control lever, while the right hand controls the pushbutton switch. First push down and hold the pushbutton switch to start the motor, while continuing to hold down the



Operation



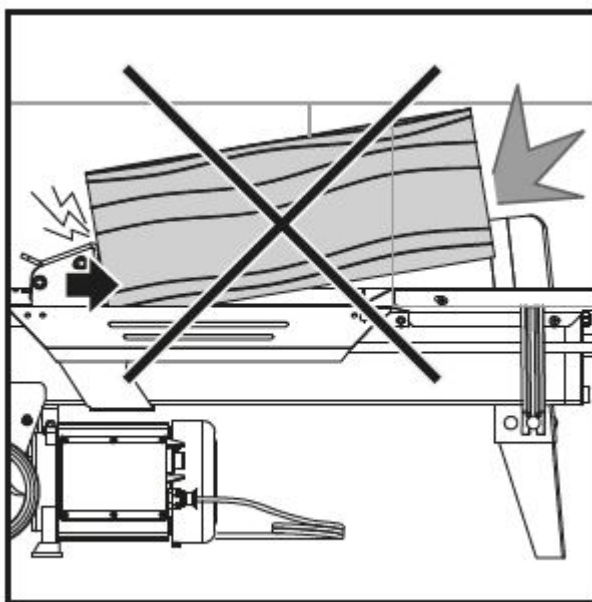
pushbutton switch, press and hold the hydraulic control lever downward to engage the log pusher. The log push will freeze upon absence of either hand. Only after both hands release the controls will the log pusher start to return to the starting position.



Never force the log splitter for more than 5 seconds by keeping pressure on it to split excessively hard wood.

After this time interval, the oil under pressure will be overheated and the machine could be damaged. For such extremely hard log, rotate it by 90° to see whether it can be split in a different direction. In any case, if you are not able to split the log, this means that its hardness exceeds the capacity of the machine and thus that log should be discarded to protect the log splitter.

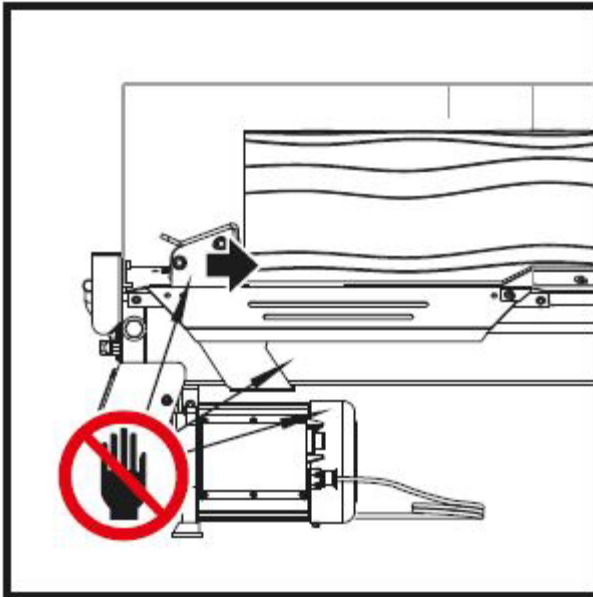
Always set logs firmly on the log retaining plates and work table. Make sure logs will not twist, rock or slip while being split. Do not force the blade by splitting the log on the upper part. This will break the blade or damage the machine.



Operation

Break log in the direction of its growing grain. Do not place log across the log splitter for splitting. It may be dangerous and may seriously damage the machine.

Do not attempt to split 2 pieces of log at the same time. One of them may fly up and hit you.



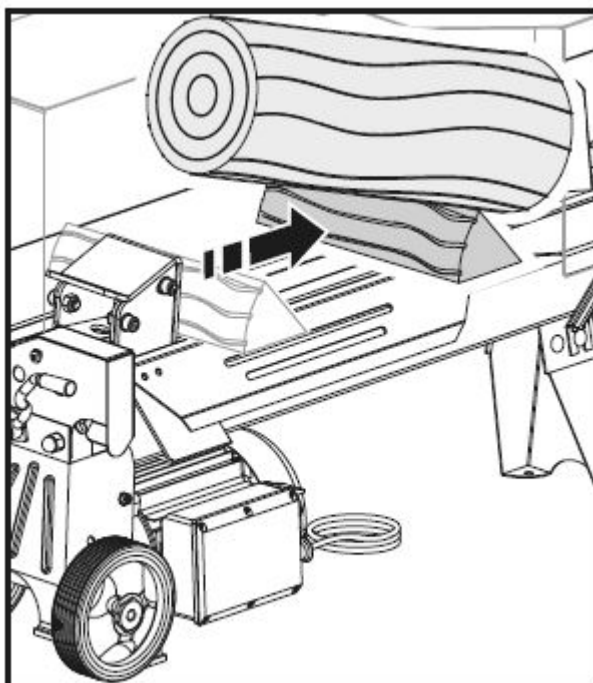
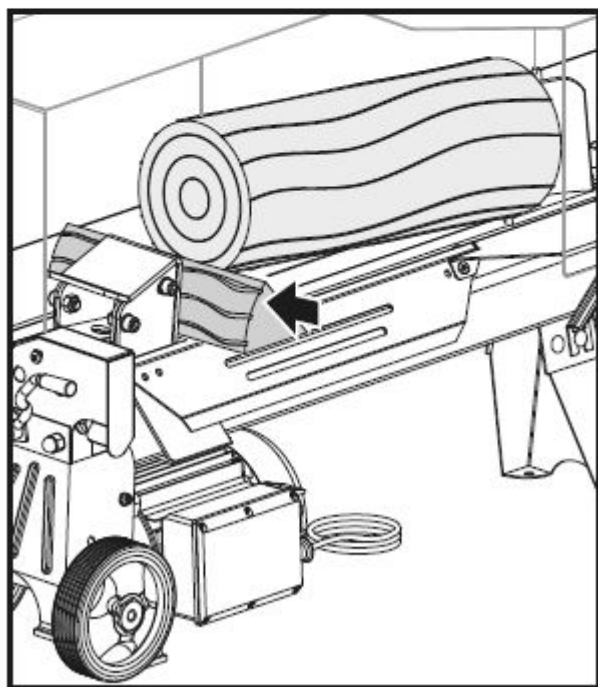
DANGER!



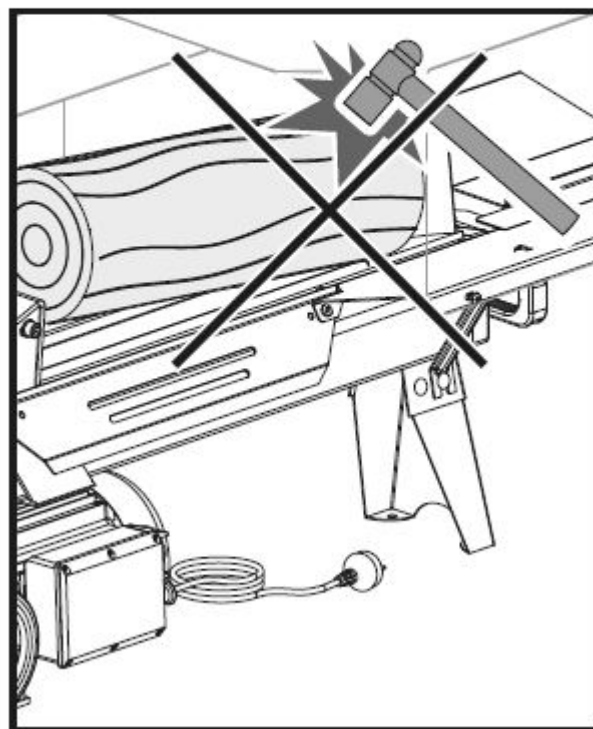
Keep your hands away from splitting area, live area and heating area while working!

FREEING A JAMMED LOG

- Release both controls.
- After the log pusher moves back and completely stops at its starting position, insert a wedge wood under the jammed log.
- Start the log splitter to push the wedge wood to go completely under the jammed one.
- Repeat above procedure with sharper slope wedge woods until the log is completely freed.



Do not try to knock the jammed log off. Knocking about will damage the machine or may launch the log and cause an accident.



Maintenance & Care

Cleaning

⚠ Always remove the electric plug from the mains supply before any cleaning is undertaken.

- Remove any grass and mud after each use to prevent it from drying. Use a clean cloth to remove dirt, grease, etc.
- DO NOT use any water on any part of the main machine.
- Avoid using solvents when cleaning plastic parts. Most plastics are susceptible to damage from various types of commercial solvents and may be damaged by their use.
- Always ensure that ventilation openings are kept clear of debris.

The Blade

⚠ WARNING!

- Never touch a blade.
- The blade should always be sharp and well balanced. At regular intervals, check the tightness of all nuts, bolts and screws.
- If the blade hits an obstacle, check for damage and if the machine vibrates badly, stop the machine and take it to a service dealer.
- It is best if all interventions on the blade are done at a specialised centre that has the special tools and equipment.

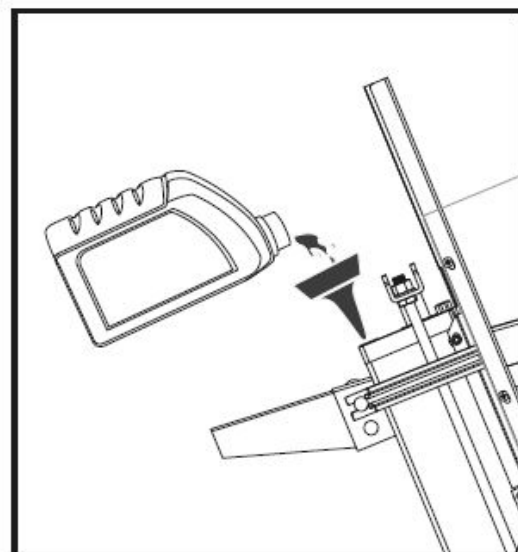
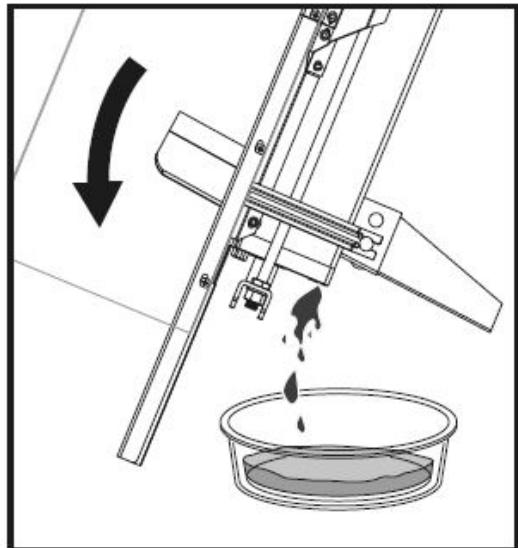
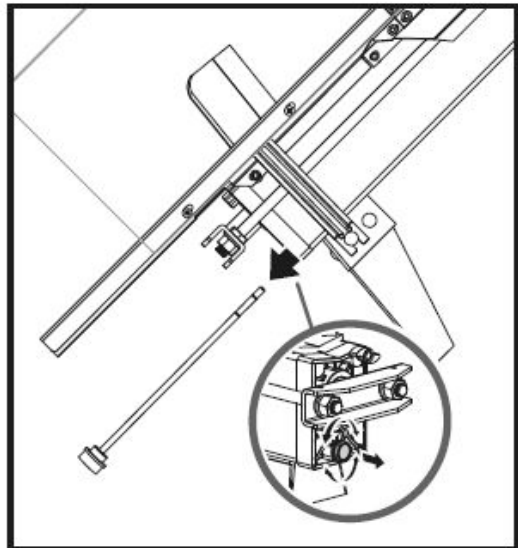
REPLACING HYDRAULIC OIL

Replace the Hydraulic oil in the log splitter after every 150 hours of use. Take the following steps to replace it.

- Make sure all moving parts stop and the log splitter is unplugged.
- Unscrew Oil Drain Bolt with Dipstick to remove it.
- Turn the log splitter on the Support Leg side over a 4 liters capacity container to drain the hydraulic oil off.
- Turn the log splitter on the motor side.
- Refill fresh hydraulic oil at the volume as per the hydraulic oil capacity of a particular model indicated in above specifications table.
- Clean the surface of Dipstick on the Oil Drain Bolt and put it back into the oil tank while keeping the log splitter vertical.
- Make sure the level of the refilled oil is just between 2 grooves around the Dipstick.
- Clean the Oil Drain Bolt before threading them back. Make sure they are tightened to avoid leakage before placing the log splitter horizontally.

Following hydraulic oils or equivalent are recommend for the log splitter's hydraulic transmission system:

SHELL Tellus 22
MOBIL DTE 11
ARAL Vitam GF 22
BP Energol HLP-HM 22

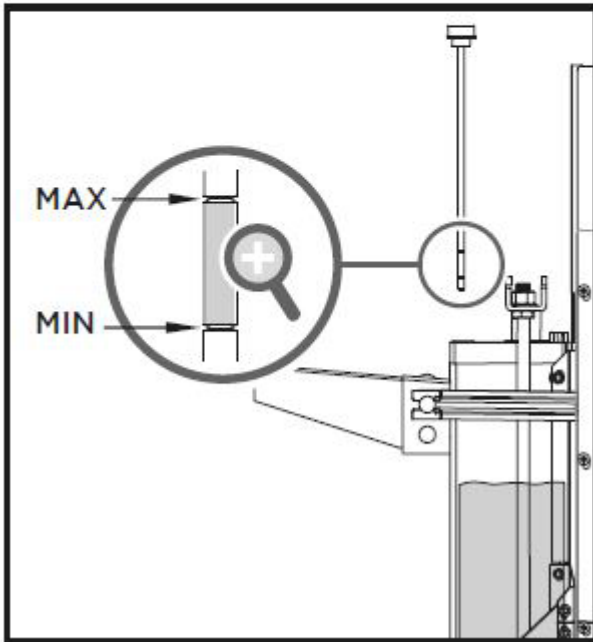


Maintenance & Care

Oil Level

Use a drain pan to aid in the removal of all used oil and particles.

Remove oil drain plug to drain oil from the hydraulic transmission system. Examine oil for metal chips as a precaution to future problems.



SHARPENING WEDGE

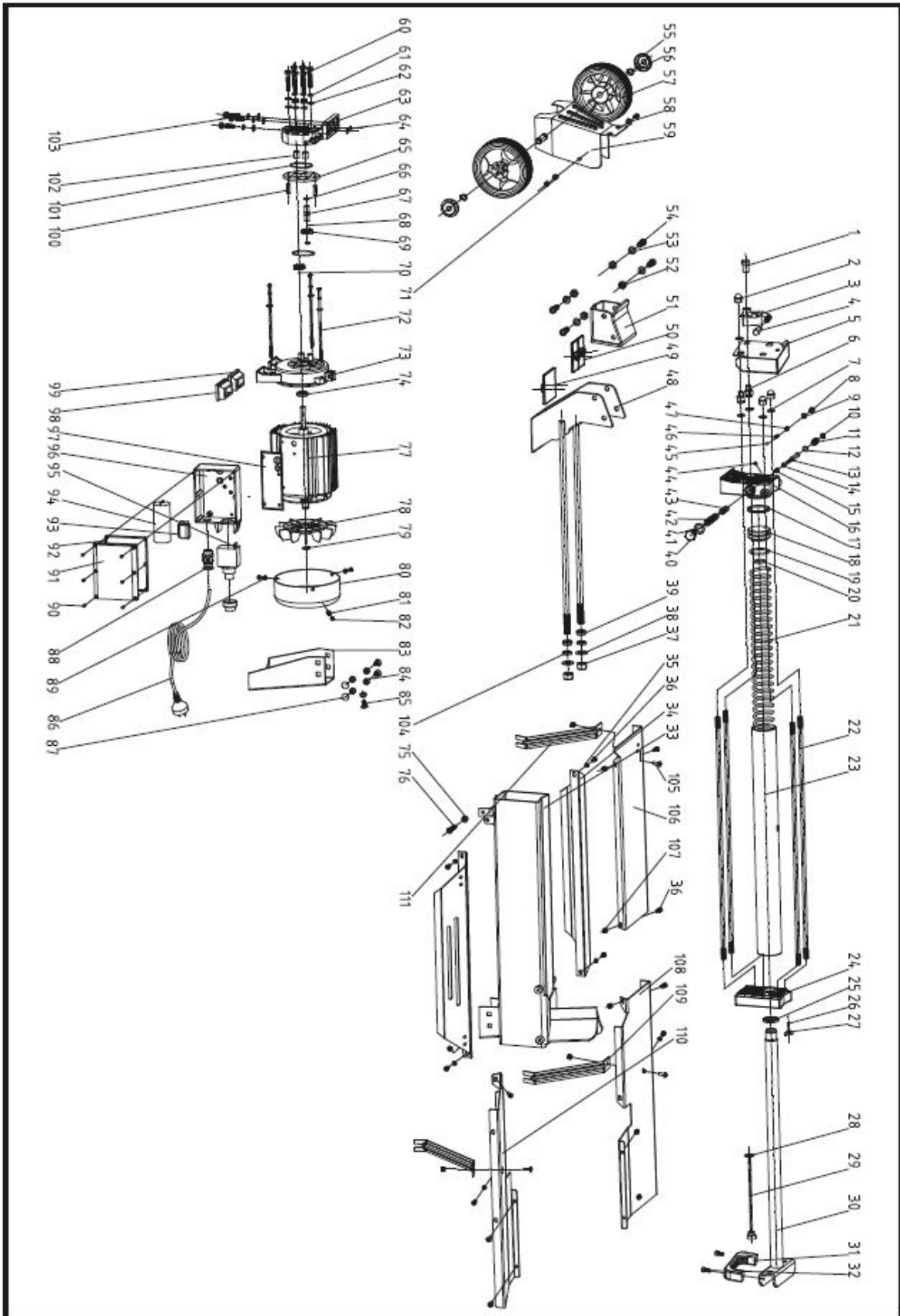
This log splitter is equipped with a reinforced splitting wedge, which has a blade which is specially treated. After long periods of operation, and when required; sharpen the wedge using a fine-toothed file removing any burrs or flat spots on the edge.



Read dipstick to determine the maximum and minimum of the oil level. Low oil can damage the oil pump. Overfilling can result in excessive temperature in the hydraulic transmission system.

Maintenance & Care

Parts Diagram



Maintenance & Care

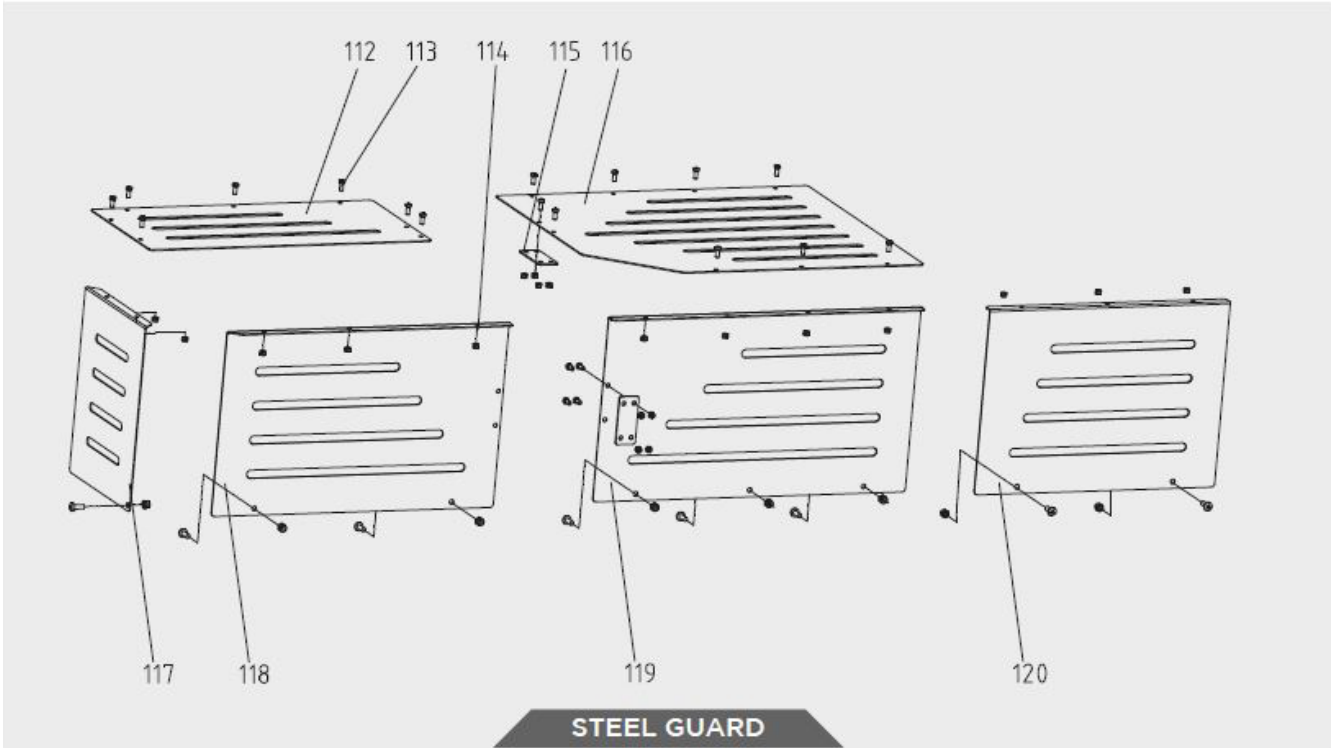
Parts List

No.	Description	Q'ty
1	Lever Mount Nut	1
2	Cap Nut M10	3
3	Lever	1
4	Lever Knob	1
5	Guard Plate	1
6	Customized Nut	2
7	Copper Gasket 10	4
8	Safety Valve Bolt M8	1
9	O-ring 5.5x2	1
10	Snap Washer 6	1
11	Valve Retract Spring	1
12	O-ring 6x1.5	1
13	Valve Core Rod	1
14	Sliding Sleeve	1
15	Sliding Sleeve Spring	1
16	Alumium Cover (Rear)	1
17	O-ring 50X2.65	1
18	Piston	1
19	Piston Ring 55	1
20	O-ring 32x3.5	1
21	Spring	1
22	Stud Bolt	4
23	Hydraulic Cylinder	1
24	Alumium Cover (Front)	1
25	Piston Rod Seal 30	1
26	O-ring 7x1.9	1
27	Wing Bolt M5X12	1
28	Wahser Groupware 14	1
29	Dipstick	1
30	Piston Rod	1
31	Lift Handle	1
32	Screw M6X16	2
33	Frame Tube	1
34	Lead plank	2
35	Spring Washer 6	6
36	Screw M6x12	12

No.	Description	Q'ty
37	Nut M14	2
38	Flat Wahser 14	2
39	Hexagon Thin Nut M14	2
40	Drain Plug	1
41	Washer Groupware 16	1
42	Valve Sleeve	1
43	O-ring 10x2	5
44	Adjusting Screw M5x8	1
45	Steel Ball 6	1
46	Valve Spring	1
47	Adjusting Screw M8x8	1
48	Log Pusher Connection Weldment	1
49	Plastic Insert 1	1
50	Plastic Insert 2	1
51	Log Pusher	1
52	Nut M10	4
53	Flat Wahser 10	5
54	Screw M10x25	4
55	Wheel Cap	2
56	Shaft Circlip A14	2
57	Wheel	2
58	Washer 6	1
59	Wheel Bracket	1
60	Bolt M8x55	6
61	Spring Washer 8	9
62	Washer 8	9
63	Gear Pump Cover	1
64	O-Ring 10.6x2.65	2
65	Gear Housing Plate	1
66	Circlip 10	2
67	Gear Shaft	1
68	Steel Ball 2.5	1
69	Pump Gear	2
70	Pin 2.5x4	1
71	Washer 6	1

Maintenance & Care

Guard Parts Diagram



Guard Parts List

No.	Description	Q'ty
112	Top Guard Plate 2	1
113	Screw M5x12 (For model 65558, 65558-6, 65558-7)	20
	Screw M5x12 (For model 65553 only)	19
114	Locknut M5 (For model 65558, 65558-6, 65558-7)	20
	Locknut M5 (For model 65553 only)	19
115	Plate Connector	2
116	Top Guard Plate 1	1
117	Left Guard Plate	1
118	Rear Guard Plate 2	1
119	Rear Guard Plate 1	1
120	Front Guard Plate	1

Maintenance & Care

Troubleshooting

PROBLEM	PROBABLE CAUSE	REMEDY SUGGESTED
Fails to split logs	Log is improperly positioned	Refer to "Log Splitter Operation" section for perfect log loading.
	The sizes or hardness of the log exceeds the capacity of the machine	Reduce the log sizes before splitting it on the log splitter.
	Wedge cutting edge is blunt	Refer to "Sharpening Wedge" section to sharpen the cutting edge.
	Oil leaks	Locate leak(s) and contact the dealer.
	Unauthorized adjustment was made on Max. Pressure Limiting Screw. Lower max pressure rating was set.	Contact the dealer.
The log pusher moves jerkily, taking unfamiliar noise or vibrating a lot	Lack of hydraulic oil and excessive air in the hydraulic system.	Check oil level for possible oil refilling. Contact the dealer.
Oil leaks around cylinder ram or from other points	Air sealed in hydraulic system while operating.	Loosen Bleed Screw by 3 - 4 rotations before operating the log splitter.
	Bleed Screw is not tightened before moving the log splitter.	Tighten the Bleed Screw up before moving the log splitter.
	Oil Drain Bolt with Dipstick is not tight.	Tighten the Oil Drain Bolt with Dipstick.
	Hydraulic Control Valve Assembly and / or seal(s) worn	Contact the dealer



ATTENTION: ALL REPAIR WORK MUST BE DONE BY A SPECIALIST FOR THIS PRODUCT.

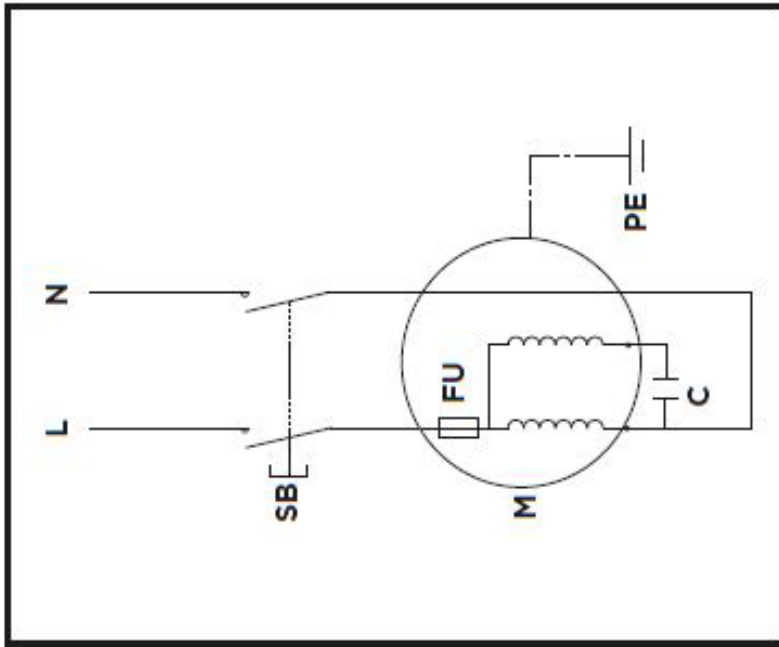
Technical Data

Specification

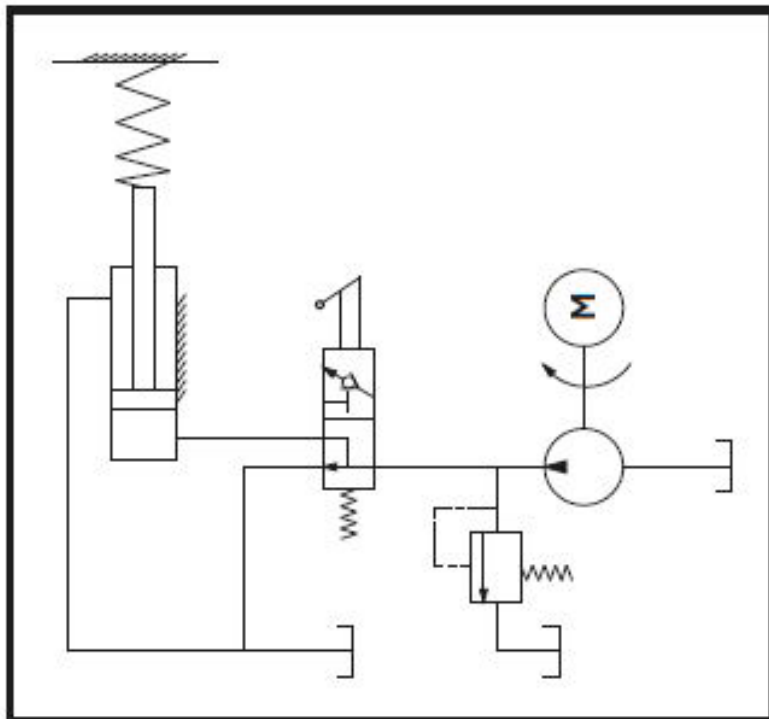
Model	HYLS7000HE	HYLS5000HE
Voltage	230V	230V
Frequency	50Hz	50Hz
Rated Power	2300W	2200W
Log Diameter Capacity	5-25cm	5-25cm
Log Length Capacity	20-52cm	20-52cm
Maximum Force	7 Ton	5 Ton
Hydraulic Pressure	24.2 Mpa	20.6 Mpa
Hydraulic Oil Capacity	3.5L	3.5L
Noise Pressure Level (LpA)	78.8 dbA under no load 89.8 dbA under Full load	78.8 dbA under no load 89.8 dbA under Full load
Vibration	<2.5m/s ²	<2.5m/s ²
Dimensions LxWxH (cm)	116 x 42.5 x 61	116 x 42.5 x 61
Weight	55 kg	60 kg

Technical Data

Wiring Diagram



Hydraulic Diagram



Recycling & Disposal

Recycling & Disposal

We do not offer a takeback scheme for the recovery of Waste Electrical Electronic Equipment (WEEE) & Batteries. Instead the responsibility to dispose of WEEE and/or Batteries is passed onto you by us.

So when it becomes necessary to dispose of your machine you must take it to your local Civic Amenity Site. For further information please contact your local Authority for disposal advice.

You **MUST** make sure that all unused oil and fuel is disposed of correctly either beforehand or at your local Civic Amenity Site.

- Under NO circumstances must any fuel or oil be put down any drains.
- Certain products contain WEEE waste which should not be disposed of in your domestic waste.
- You **MUST** recycle WEEE in accordance with your local authority or recycling centre.
- Certain products contain batteries which should not be disposed of in your domestic waste.
- You **MUST** recycle batteries in accordance with your local authority or recycling centre.
- Unwanted packaging and materials should be stored and taken to a recycling centre so it can be disposed of in a manner which is compatible with the environment.

We are a Member of the VALPAK National Compliance Scheme and our registration number is RM08660. For further information about disposal please contact your Local Authority.

You can also get more advice and guidance about recycling at the following website <http://www.recycle-more.co.uk>

Should you pass this product on to another user either sold or loaned, you **MUST** pass on this user manual. This will make sure that all other users can use and maintain this machine safely.

Environmental Protection

1. Environmental protection should be a priority of considerable importance when using the machine, for the benefit of both social coexistence and the environment in which we live. Try not to cause any disturbance to the surrounding area.
2. You must comply with local regulations and provisions for the disposal of packaging, oils, fuel, filters, damaged parts or any elements which have a strong impact on the environment. This waste must not be disposed of as normal waste. It needs to be separated and taken to specified waste disposal centres where the material will be recycled.
3. You must comply with local regulations for the disposal of waste materials after mowing.
4. When disposing, do not pollute the environment with the machine, but hand it over to a disposal centre, in accordance with the local laws in force.

EU Declaration Of Conformity

Importer and Authorised Representative

Genpower Ltd
Isaac Way, Pembroke Dock, SA72 4RW

Country of Origin: China

Description: Horizontal Log Splitters

SKU Code: HYLS7000HE & HYLS5000HE

Date of Issue: 01/07/2023

Regulations and Directives of Compliance

- 2006/42/EC The Machine Directive
- 2014/30/EU EMC Directive
- 2000/14/EC Noise Emissions
- 2011/65/EU RoHS

Statement of Declaration

We the importer and authorised representative of the product described confirm conformity within the provisions of applicable regulations and directives listed within this document.

Signed on Behalf of Genpower Ltd

Place of Issue: Genpower Ltd

Signatory Name: Roland Llewellyn

Position: Managing Director

R J Llewellyn
.....



Notes



Useful Information

Check Out Our YouTube Channel

Our videos on YouTube include:

- Unboxing
- Assembly of your machine
- How to service your machine
- Products in use
- 'How To' videos
- Product features

Go to YouTube and search '**Hyundai Power Products**'.

Warranty

Proof of purchase will be required before you make a warranty claim. Full warranty terms and conditions can be found on the HYUNDAI POWER PRODUCTS website:

www.hyundaipowerproducts.co.uk

Manual Updates

Our manuals are constantly being reviewed and updated. Should you find an error, omission or something unclear, please contact us for assistance. We reserve the right to make any modifications without prior notice whenever necessary. Our latest manuals are also placed online. All our manuals can be downloaded at:
www.hyundaipowerproducts.co.uk

Returning Your Product

If you are returning your product, please contact the dealer for their returns policy.

Leaving A Review

We work very hard to give all of our customers the best possible service. If you have any problems, before leaving negative feedback, please contact us to give us a chance to resolve the issue. We would be delighted if you left us positive feedback! To leave a review, please go to:

uk.trustpilot.com/review/hyundaipowerequipment.co.uk

Ordering Spare Parts

You can find the spare part you are looking for at **power-spares.co.uk**

Product Record

Information

As soon as you have purchased the machine, we recommend that you fill out the following. If you need to contact an authorised dealer or customer service for information on servicing, you may need to provide the following information.

Date Of Purchase:.....

Dealer Name:.....

Dealer Phone:.....

Model Number:.....

Serial / Batch Number:.....



Contact Us

Need Help? Talk To Our Experts

Our friendly aftersales team will be more than happy to help you.



Phone

Call our team on 01646 687 880



Email

aftersales@hyundaipowerproducts.co.uk



Online Live Chat

Go to www.hyundaipowerproducts.co.uk



Post

Genpower Ltd, Isaac Way, Pembroke Dock, Pembrokeshire, SA72 4RW.



Hyundai Support Website

Go to hyundaisupport.co.uk

HYUNDAI

POWER PRODUCTS



GENUINE PRODUCT OF
HYUNDAI CORPORATION

For Inquiries, Please Contact:
GENPOWER LTD
Isaac Way, London Road,
Pembroke Dock, UK, SA72 4RW.
T: +44 (0) 1646 687 880
E: info@hyundaipowerproducts.co.uk
www.hyundaipowerproducts.co.uk

