

# INSTALLATION INSTRUCTIONS

## PSSPL/PSSPR

### PROFESSIONAL SERIES SIDE PANEL KIT

For Use with Built-In Refrigerator/Freezers and Full Height Wine Cellars

VIKING  
111 Front Street  
Greenwood, Mississippi 38930 USA  
(662)455-1200

#### IMPORTANT - PLEASE READ AND FOLLOW

- Before beginning, please read these instructions completely and carefully.
- Do not remove permanently affixed labels, warnings or plates from the product. This may void the warranty.
- Please refer to the installation instructions included with the product for site preparations and considerations.
- The installer should leave instructions with the consumer who should retain for local inspector's use and for future reference.

**CAUTION:** Always wear gloves when handling the side panels. Some edges may be sharp enough to cause injury during handling.

#### WARNING!

The unit must be fastened to a wall located at the rear of the product. Failure to properly fasten the product to the wall can result in death or serious injury. See installation instructions included with the product for proper securing methods.

#### Parts Included:

- (1) Stainless steel side panel
- (5) Black #8 sheet metal screws (Part number - M02100443)
- NOTE:** For the PSSPL3, there will be (12) black #8 sheet metal screws.
- (3) Foam strips - attached to panel (Part number - PM910067)

#### Required Tools:

- Electric drill
- 9/64" (.36 cm) diameter drill bit

To install:

1. If a top panel kit was purchased in addition to the side panel kit, refer to installation instructions included with the top panel kit.
2. Locate the unit in front of the area in which it is to be installed (approximately two feet directly in front of the final position).
3. If a PSSPL3 was purchased, refer to installation instructions #F90752 - Side panel Support Installation. Otherwise, proceed to step #4.
4. Position the side panel behind the cabinet side trim. Insure that the panel is fully located behind the side trim and that the rear flanges of the panel are making contact with the rear of the unit. If necessary, use a shim between the panel and the floor to maintain panel at proper height. Align the top of the panel with the top of the side trim. (figure 1)
5. Using the panel hole locations as a template, drill five (5) holes on the cabinet rear with a 9/64" (.36cm) diameter drill bit. (figure 2)
6. Attach the panel to the rear of the unit using the five (5) black #8 sheet metal screws provided.
7. To attach another side panel, repeat 1-5 above.
8. Install the unit into the opening following the installation instructions provided with the unit.

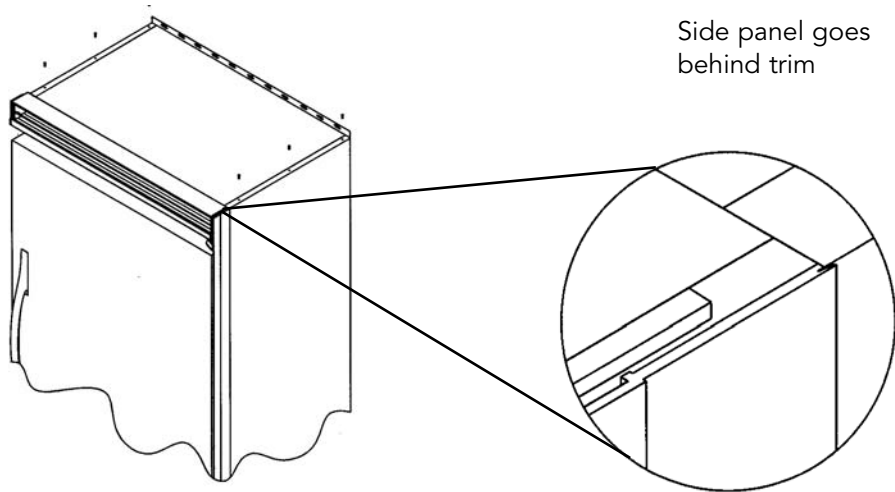


Figure 1

Panel hole locations

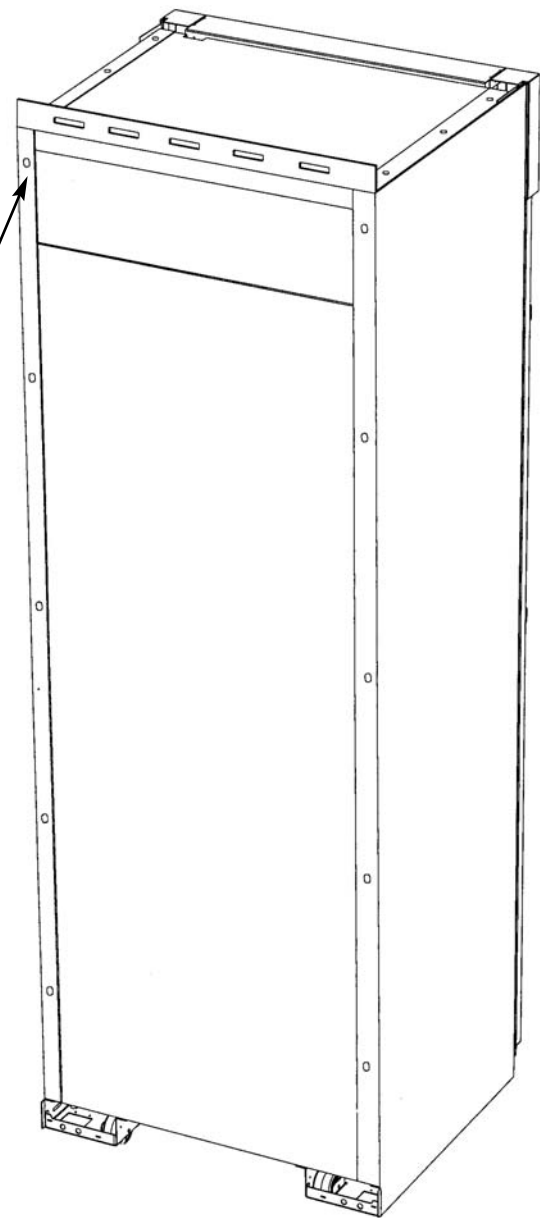


Figure 2  
(Rear of unit)

VIKING  
111 Front Street • Greenwood, Mississippi 38930 USA • (662) 455-1200

Specifications subject to change without notice  
For more product information, call 1-888-VIKING1 (845-4641), or visit our web site at <http://www.vikingrange.com>

