



ENGLISH

ESPAÑOL

OWNER'S MANUAL

AIR CONDITIONER

Please read this manual carefully before operating your set and retain it for future reference.

TYPE: PORTABLE AIR CONDITIONER

MODEL: LP0711WNR

www.lgappliances.com

INTRODUCTION

IMPORTANT SAFETY INSTRUCTIONS

Basic Safety Precautions	3, 4
Electrical Safety	4, 5

PARTS AND FEATURES

Key Parts and Components	6
Control Panel and Remote	7

HOW TO USE

Before Using Your Air Conditioner	8, 9
Using the Controls	10

INSTALLATION INSTRUCTIONS

Selection of Installation Location	11
Attaching the Hose and Diffuser	12
Preparing for Installation	13
Window Vent Panel and Extensions	14
Installation in Vertical Sliding Windows	15, 16
Installation in Casement Windows	17, 18

CARE AND CLEANING

Water Drainage	19
Cleaning	20
Air Filter	20
Defrost Operation	20
Storing the Air Conditioner	21

TROUBLESHOOTING

Before Calling for Service	22, 23
--------------------------------------	--------

WARRANTY

Product Registration Information	24
--	----

THANK YOU!

Congratulations on your purchase
and welcome to the LG family.

Your new LG Air Conditioner
combines high-efficiency operation
with portable convenience.

By following the operating and care
instructions in this manual, your air
conditioner will provide you with
many years of reliable service.

IMPORTANT SAFETY INSTRUCTIONS

READ ALL INSTRUCTIONS BEFORE USE

Your safety and the safety of others is very important.

We have provided many important safety messages in this manual and on your appliance. Always read and obey all safety messages.



This is the safety alert symbol.

This symbol alerts you to potential hazards that can kill or hurt you and others.

All safety messages will follow the safety alert symbol and either the word “WARNING” or “CAUTION”. These words mean:

⚠ WARNING This symbol indicates the possibility of death or serious injury.

⚠ CAUTION This symbol indicates the possibility of injury or damage to property.

BASIC SAFETY PRECAUTIONS

⚠ WARNING To reduce the risk of fire, electric shock, or injury to persons when using this appliance, follow basic precautions, including the following:

- Do not attempt to repair or replace any part of your air conditioner unless it is specifically recommended in this manual. All other services should be referred to a qualified technician.
- If the power cord becomes worn or damaged, the cord should only be replaced by a qualified service technician using genuine replacement parts.
- The air conditioner should be plugged into its own grounded 15A, 60 Hz., 120 VAC circuit.
- Do not plug other appliances into the same outlet; it can overload the circuit and cause a fire or electric shock.
- Do not remove the round grounding prong from the plug. It can result in the risk of electric shock.
- This air conditioner is not designed for use by young children. Young children should be supervised to ensure that they do not play with or climb on the air conditioner.
- Be sure all packaging materials are removed from the air conditioner before use. It can result in personal injury.
- Do not disassemble or modify the air conditioner or the power cord. It can result in the risk of electric shock or fire.
- Do not place the power cord or air conditioner near a heater, radiator, or other heat source. It can result in the risk of electric shock or fire.
- Do not use this or any appliance near flammable gases or liquids or other combustibles, such as gasoline, benzene, thinner, etc. It can result in the risk of electric shock or fire.
- Make sure the power cord is plugged firmly and completely into the outlet. It can result in the risk of electric shock or fire.
- Do not start or stop operation by plugging in or unplugging the power cord. It can result in the risk of electric shock.
- If the air conditioner is making unusual sounds or is emitting smoke or an unusual odor, unplug it immediately. It can result in the risk of electric shock or fire.
- Do not use if the electrical socket is loose or damaged. It can result in the risk of electric shock or fire.
- Do not operate with wet hands or in a damp environment. It can result in the risk of electric shock.
- Do not use this or any electrical appliance if you smell gas. It can result in the risk of fire or explosion.
- Turn off and unplug the air conditioner before cleaning to avoid the risk of electric shock.
- Do not clean the unit with water. Water can enter the unit and damage the insulation, creating a shock hazard. If water enters the unit, unplug it immediately and contact Customer Service. It can result in the risk of electric shock.
- Use two or more people to lift and install the unit. Failure to do so can cause back injury or other injuries.

IMPORTANT SAFETY INSTRUCTIONS

READ ALL INSTRUCTIONS BEFORE USE

BASIC SAFETY PRECAUTIONS

⚠ CAUTION To reduce the risk of fire, electric shock, or injury to persons when using this appliance, follow basic precautions, including the following:

- To avoid possible cuts, avoid contacting the metal parts of the air conditioner when removing or reinstalling the filter. It can result in the risk of personal injury.
- Do not block the air inlet or outlet of the air conditioner. Reduced air flow will result in poor performance and could damage the unit.
- Always grasp the plug when plugging in or unplugging the air conditioner. Never unplug by pulling on the cord. It can result in the risk of electrical shock and damage.
- Always turn off and unplug the air conditioner when it will not be used for extended period of time. This conserves energy and reduces the chance of accidents.
- Secure the wheels with blocks to prevent the air conditioner from rolling on smooth floors.
- Install the air conditioner on a sturdy, level floor capable of supporting up to 110 lbs (50 kg). Installation on a weak or unlevel floor can result in the risk of property damage and personal injury.
- Make sure the air conditioner is the correct size for the area you wish to cool. Using an air conditioner that is the wrong size can waste energy and damage the air conditioner.
- Close all doors and windows to the room for most efficient operation.
- To prevent damage to the surface finish, use only a soft cloth to clean the air conditioner. Do not use wax, thinner, or a strong detergent.
- To prevent spills and property damage, be sure to drain the air conditioner properly.
- To prevent the coils from freezing, do not operate the air conditioner if the room temperature is below 17°C (62°F).
- Do not position the air conditioner so that pets or house plants are exposed to the direct air flow. It can result in the risk of injury to pets or house plants.
- This air conditioner is designed for normal household use. Do not use for cooling pets, foods, precision machinery, or art objects.
- Do not drink the water from the drain pan. Dispose of it properly outdoors or down the drain.
- Do not operate air conditioner without the filter securely in place. Operation without the filter could damage the unit.
- Clean the filter every two weeks, or more often if needed.

ELECTRICAL SAFETY

⚠ WARNING

Electrical Shock Hazard

Failure to follow these instructions can result in death, fire, or electrical shock.

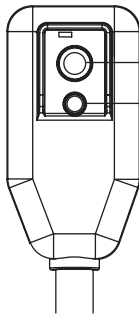
- This unit must be properly grounded.
- Do not, under any circumstances, cut or remove the ground prong.
- If you do not have a properly grounded outlet, or if there is any doubt that the outlet is not properly grounded, a qualified electrician should check the outlet and circuit, and, if necessary, install a properly grounded outlet.
- This air conditioner must be plugged into a grounded 60 Hz, 120 VAC outlet protected by a 15 amp time delay fuse or circuit breaker.
- This air conditioner must be installed in accordance with national wiring codes.
- Do not alter or modify the plug or cord of this air conditioner. If the power cord becomes worn or damaged, the cord should only be replaced by a qualified service technician using genuine replacement parts.
- Do not use an extension cord.

IMPORTANT SAFETY INSTRUCTIONS

READ ALL INSTRUCTIONS BEFORE USE

ELECTRICAL SAFETY

INTEGRATED CIRCUIT BREAKER



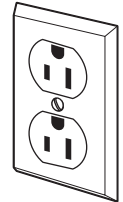
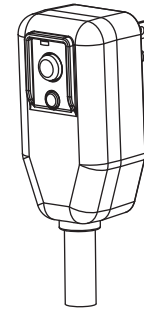
Reset
Test

For additional safety, the power cord features an integrated circuit breaker. Test and reset buttons are provided on the plug case.

The circuit breaker should be tested periodically by pressing the TEST

button does not cause the circuit breaker to trip, or if the RESET button will not stay engaged, unplug the air conditioner immediately and contact your LG service technician.

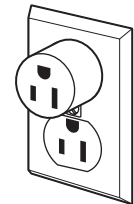
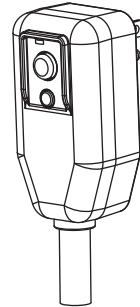
PREFERRED GROUNDING METHOD



Ensure proper ground exists before use.

TEMPORARY GROUNDING METHOD

(Use of adapter plugs not permitted in Canada)



Ensure proper ground exists before use.

Due to potential safety hazards, the use of an adapter plug is strongly discouraged.

For temporary connections, use only a UL-listed adapter. Ensure that the large slot in the adapter is aligned with the large slot in the outlet.

To prevent damage to the adapter's ground terminal, hold the adapter in place while plugging in or unplugging the air conditioner.

- **Attaching the adapter ground terminal to the wall receptacle cover screw does not ground the appliance unless the cover screw is metal and not insulated, and the wall receptacle is grounded through the house wiring.**

- **Frequent connection and disconnection can damage the ground terminal on the adapter. Never use a broken or damaged adapter.**

SAVE THESE INSTRUCTIONS

PARTS AND FEATURES

KEY PART AND COMPONTS

1 AIR DISCHARGE

The direction of air can be controlled wherever you want to cool by adjusting the horizontal louver. Adjusting the horizontal louver up and down will change vertical airflow.

2 CONTROL PANEL AND DISPLAY

Easy-to-read digital display shows the set temperature and indicator lights show the operating mode. Simple push buttons make changing settings quick and easy.

3 SWIVELING CASTERS

Swiveling casters allow you to move the air conditioner easily on most floor surfaces.

4 INFRAED REMOTE CONTROL

The remote control allows you to adjust the temperature and operate most functions of the air conditioner from across the room.

5 EXHAUST AIR OUTLET VENT

Insert the large adapter end of the hose into the hole on the back of the air conditioner. Align the pins on the connector with the slots in the hole. Twist slightly clockwise until it locks into place.

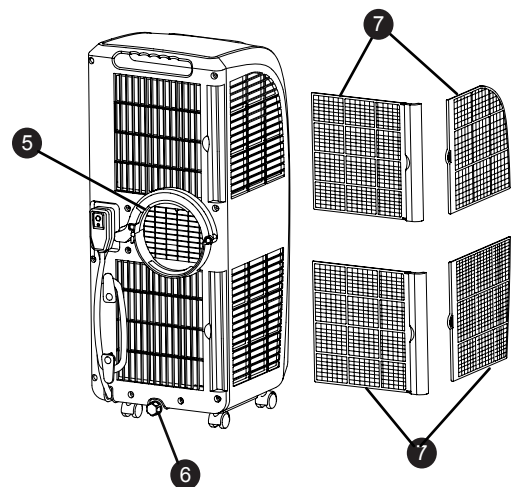
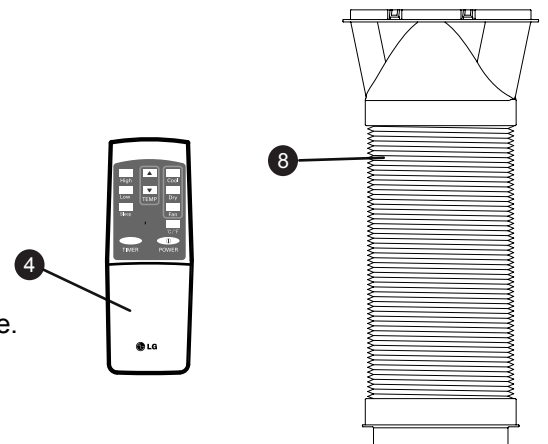
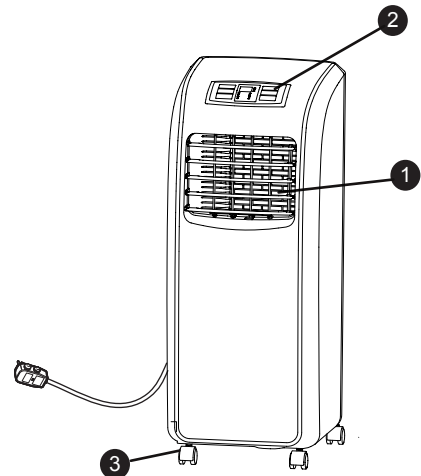
6 BOTTOM DRAIN PORT

Used when water tank is full or free of using long time. Before moving the unit, drain the internal water collection tank completely by using bottom drain port.

7 AIR FILTER

8 HOSE AND DIFFUSE

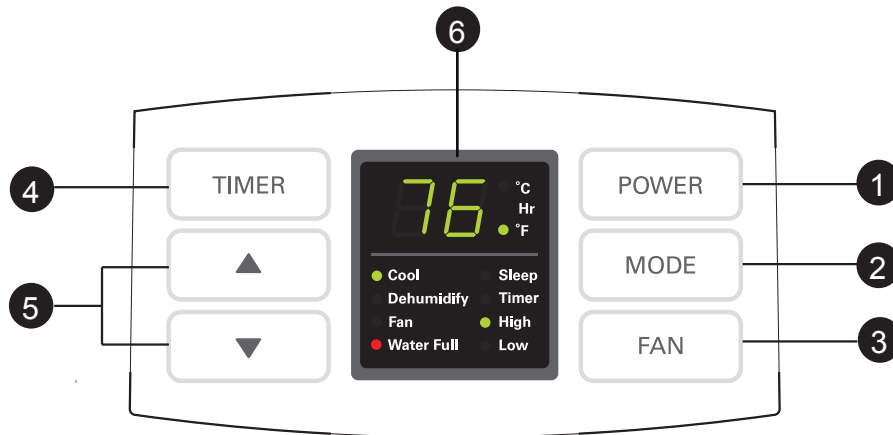
Use the diffuser and hose to connect the air conditioner to the window installation kit to vent exhaust air outside.



Check all the accessories included in the package and please refer to the installation instructions for their usage.

PART AND FEATURES

CONTROL PANEL AND REMOTE



Operation of functions is the same when using the remote or the control panel, unless otherwise stated.

For detailed instructions on each function, see the following pages.

1 POWER

Operation begins when this button is pressed and stops when you press the button again.

2 MODE

Press this button to select Cool, Dry, Fan mode.

3 FAN SPEED

Adjusts the circulation fan speed between High, Low fan speed.

4 TIMER

Press this button to set TIMER ON, TIMER OFF or NO TIMER

5 UP & DOWN

Press these buttons to set room temperature or timer when in Timer On/Off mode.

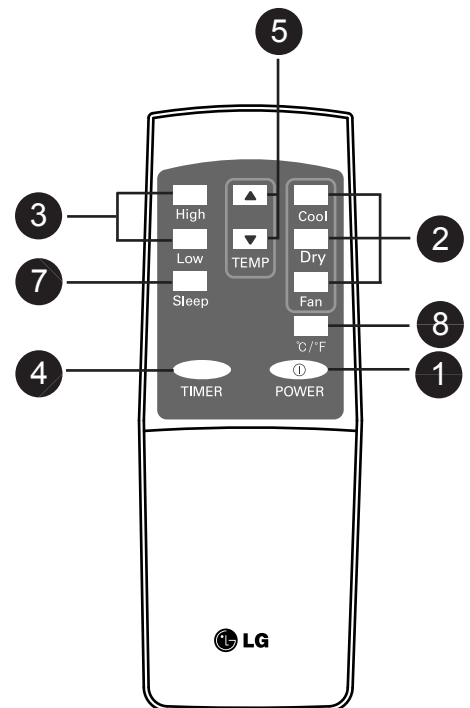
6 LED Display

Display different signals accordingly.

7 SLEEP MODE

Setting sleeping mode, the temperature will rise 1 °C after 2 hours, and another 2 hours later, rise 1 °C

8 CELSIUS AND FAHRENHEIT EXCHANGE BUTTON



HOW TO USE

BEFORE USING YOUR AIR CONDITIONER

PREPARING FOR OPERATION

Refer to the Installation Instructions included in this manual before using the air conditioner.

Once the air conditioner has been properly assembled and installed:

- 1 Plug the power cord into its own dedicated properly grounded outlet. Do not plug other appliances into the same outlet; it could overload the outlet and create a fire hazard.
- 2 Make sure the air conditioner and cord is positioned where it does not create a tripping hazard and will receive adequate ventilation. Do not place it directly next to furniture or objects that could block the vent openings.
- 3 Make sure that any items that could be blown over or damaged by the airflow from the fan are out of the airflow path.

UNPACKING THE AIR CONDITIONER

Remove and store packing materials for reuse.

Remove any shipping tape before using the air conditioner. If the tape leaves behind any adhesive, rub a small amount of liquid dish soap onto it and wipe with a damp cloth. Do NOT use sharp instruments, alcohol, thinners, or abrasive cleaners to remove adhesive. They could damage the finish.

IMPORTANT:

- Do not remain in the direct airflow from the air conditioner for extended periods of time.
- To prevent damage or injury to pets and plants, make sure they are not exposed to direct airflow from the air conditioner.
- When used at the same time as stoves, fireplaces, and other combustion devices, make sure there is a sufficient flow of fresh air into the room. Do not use in tightly enclosed spaces with these types of devices.
- This air conditioner is intended for household use as a consumer comfort appliance. Do not use it as a precision climate control system, or for purposes such as cooling precision equipment, food, pets, plants, artwork, etc. Such items could be damaged.
- Do not bend the hose downward when window installation kit is not applied. It may cause failure of air conditioner or performance deterioration.

BEFORE USING YOUR AIR CONDITIONER

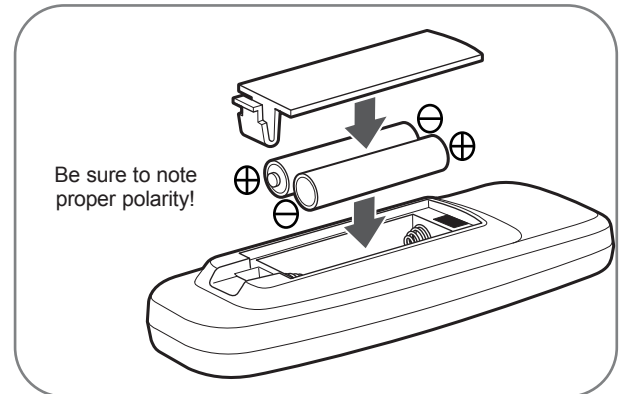
INSERTING BATTERIES IN THE REMOTE

Before using your remote, install the provided AAA batteries :

- 1 Press in the locking tab on the battery cover on the back of the remote and remove the cover
- 2 Insert two new alkaline AAA batteries into the battery compartment, being sure to note the proper polarity.
- 3 Reattach the battery cover, making sure the locking tab clicks into place.

NOTE :

- Use only alkaline batteries. Do not use rechargeable batteries.
- When replacing batteries, always replace both batteries with new batteries. Do not mix old and new batteries.
- If the air conditioner will not be used for an extended period of time, remove the batteries from the remote.



⚠ CAUTION

- If the liquid from the batteries gets onto your skin or clothes, wash it well with clean water. Do not use the remote if the batteries have leaked.
- If you eat the liquid from the batteries, brush your teeth and see doctor. The chemicals in batteries could cause burns or other health hazards.

USING THE CONTROLS

Control panel buttons shown. Operation using the remote control is the same, unless specifically noted.

1. COOLING MODE

- Press MODE button to choose Cool mode, the Cool mode indicator will flash.
- Press UP or DOWN button to set room temperature between 62°F to 86°F.
- Press SPEED button (or High/Low button) to select high, low fan speed.

2. FAN MODE

- Press MODE button (or Fan button) to choose Fan mode, the Fan mode indicator will flash.
- Select the fan speed by press FAN button or press High / Low button directly.
- The temperature can not be set.

3. DRY MODE

- Select Dry button for dehumidify Mode.
- In Dry mode fan speed is preset. Speed button is not available. The temperature can't be set either.
- Press Swing button to make the louver swing (use remote control only).

NOTE

Always point the remote at the sensor. The remote may not work if the sensor is in bright light or if there is not a clear path between the remote and the sensor.

4. TIMER MODE

- When the appliance is switch off, press Timer button to set timer-on.
- Press Up or Down button to adjust time from 1 hour to 24 hours. The Time on indicator will flash.
- When the appliance is running, press Timer button to set timer-off.

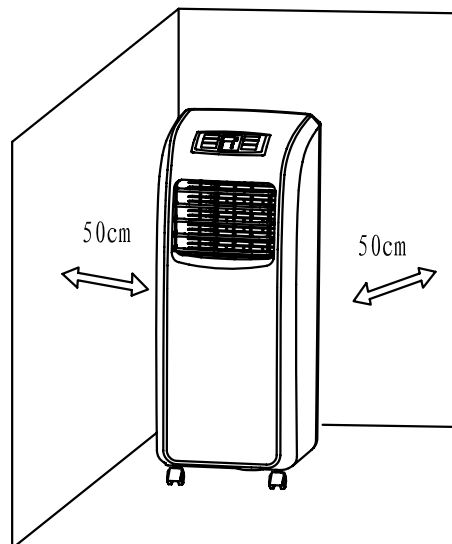
5. SLEEP MODE

- Setting sleep mode, the temperature will rise 1°C after 2 hours, and another 2 hours later, rise 1°C.
- Then it will keep steady and low fan blow.

INSTALLATION INSTRUCTIONS

SELECTION OF INSTALLATION LOCATION

- 1 Install the unit on a flat and dry place.
- 2 For best performance, allow at least 50cm of air space on all sides of the unit for good air circulation.



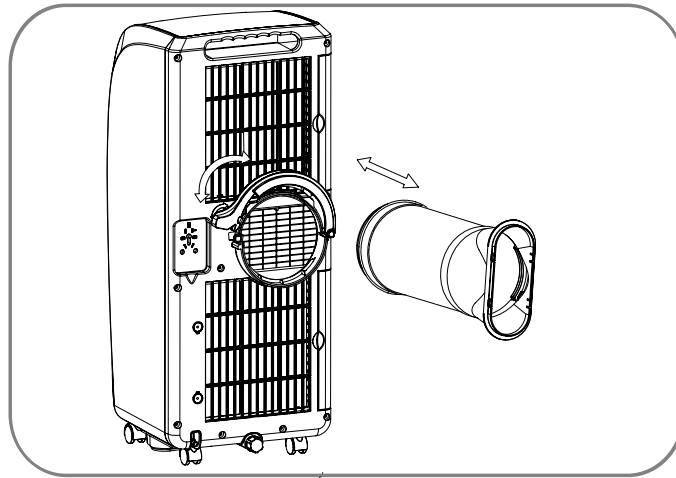
⚠ WARNING

The length of the exhaust pipe is specially designed according to the specification of this product. Do not replace or prolong it with your own private hose as this could cause mal-function.

INSTALLATION INSTRUCTIONS

ATTACHING THE HOSE AND DIFFUSER

NOTE: *The air conditioner is shipped with the hose installed. The hose may be removed for cleaning and storage, if necessary. Simply reverse the steps below to remove.*



Insert the large adapter end of the hose into the hole on the back of the air conditioner.

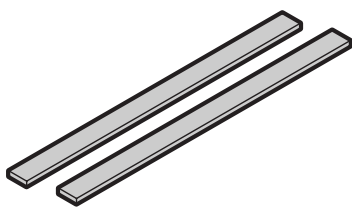
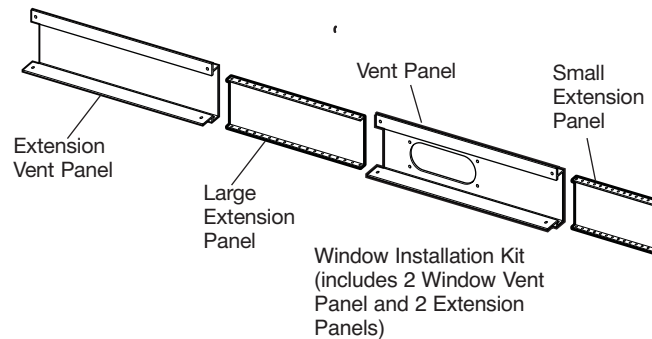
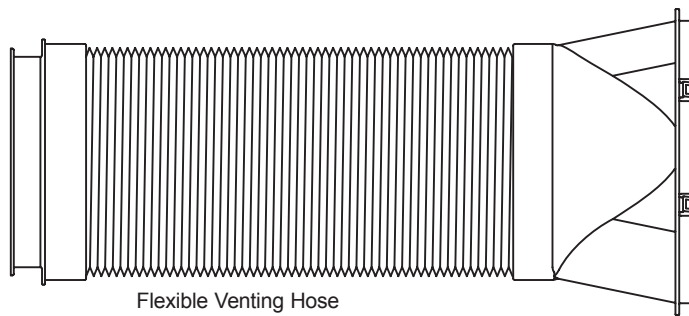
INSTALLATION INSTRUCTIONS

PREPARING FOR INSTALLATION

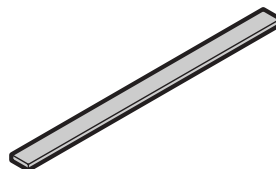
⚠️ WARNING The air conditioner is heavy! Use two or more people to lift and install the unit! Failure to do so could result in back injury or other injuries.

EXHAUST COMPONENTS

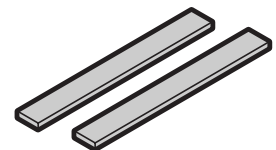
The following components are used for window venting.
Not all components are used for every installation.



2 Type A Foam Seals
(adhesive)



1 Type B Foam Seal
(non-adhesive)



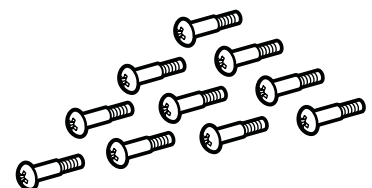
2 Type C Foam Seals
(Adhesive type-Shorter)



Security Bracket



4 Type A Screws

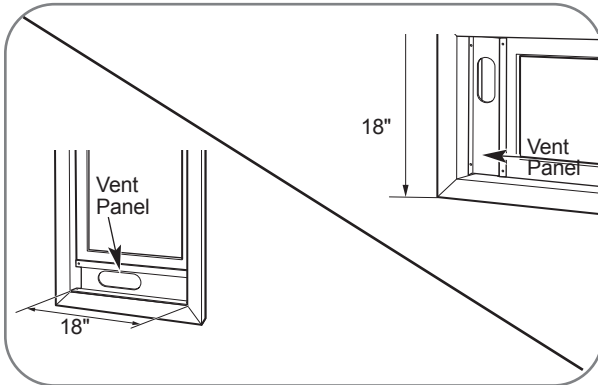


10 Type B Screws

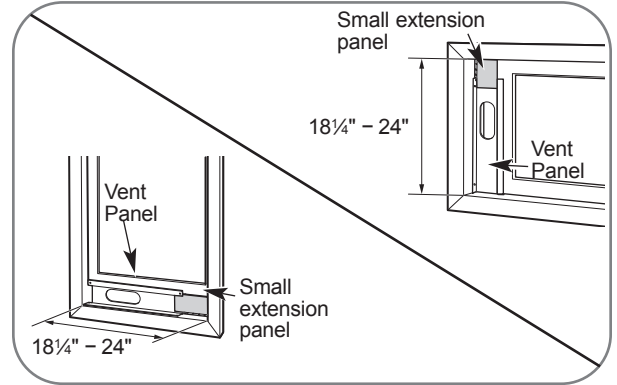
INSTALLATION INSTRUCTIONS

WINDOW VENT PANEL AND EXTENSIONS

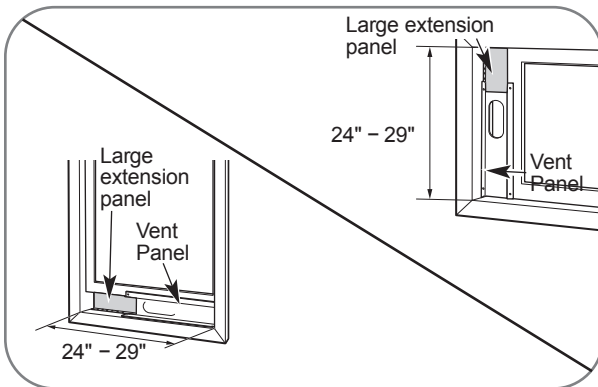
The window installation kit allows you to install the air conditioner in most vertical-sliding windows 18" to 48" wide, or casement-style windows from 18" to 48" high.



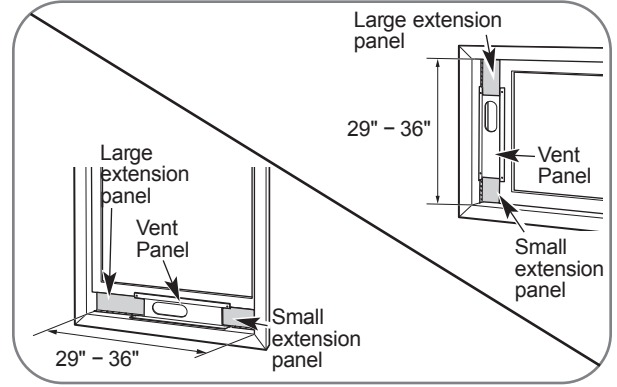
For an 18" window opening, use the window vent panel by itself.



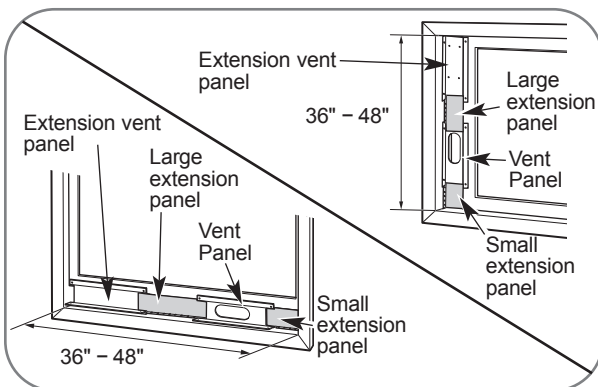
For window openings from 18 1/4" to 24", use the window vent panel and the small extension panel.



For window openings from 24" to 29", use the window vent panel and the large extension panel.



For window openings from 29" to 36", use the window vent panel and both extension panels.

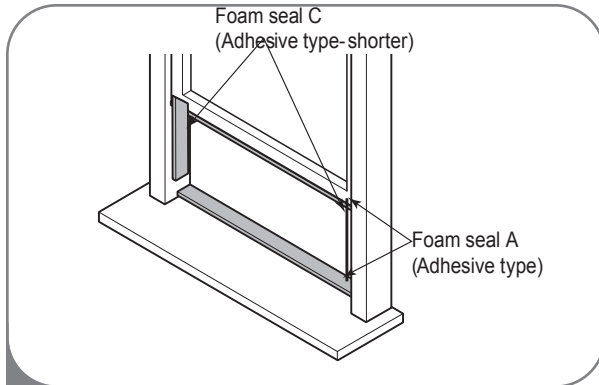


For window openings from 36" to 48", use both vent panels and both extension panels.

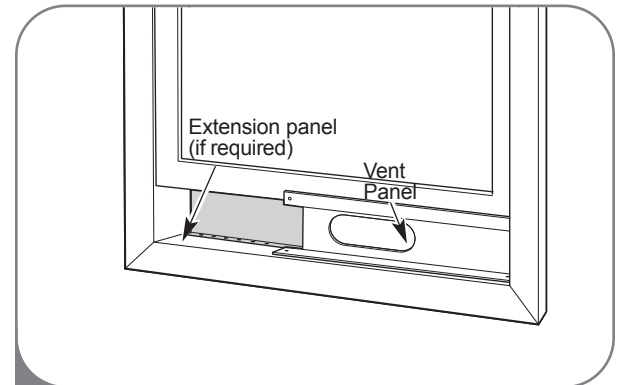
INSTALLATION INSTRUCTIONS

INSTALLATION IN VERTICAL SLIDING WINDOWS

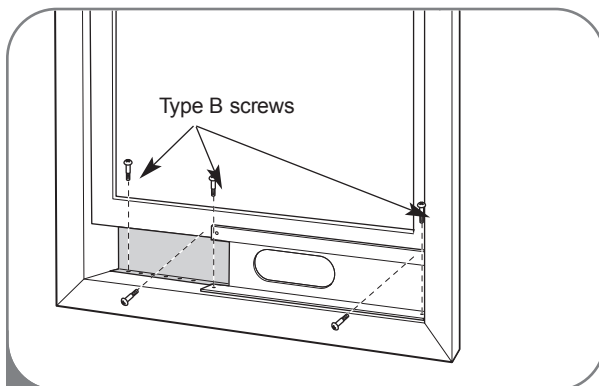
NOTE: The window installation kit can be used with vertical sliding windows between 18" and 48" wide.



- 1 Cut the foam seal A(adhesive type) & C(adhesive type-shorter) to the proper length, and attach it to the window sash and frame.



- 2 Insert the vent panel assembly, including extension panels, if needed, into the window opening. Extend the extension panels, if used.



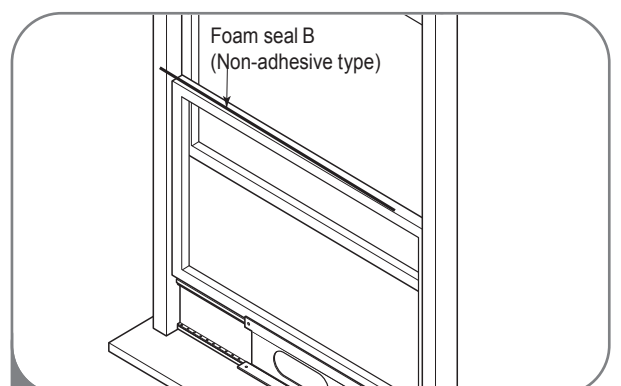
- 3 Carefully lower the window. Secure the vent panel in place with 4 type B screws, plus one screw for each extension:

Vent panel only: 4 type B screws

Vent panel and one extension: 5 type B screws

Vent panel and two extensions: 6 type B screws

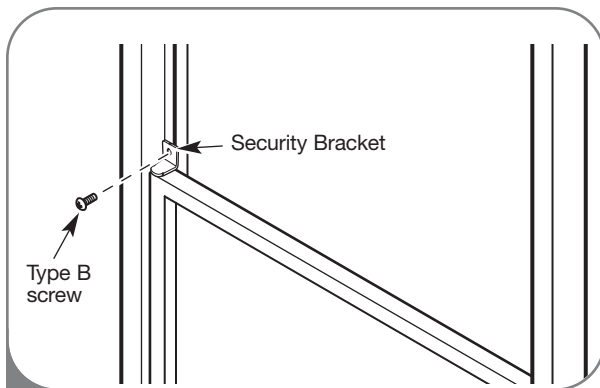
Two vent panels and two extensions: 9 type B screws



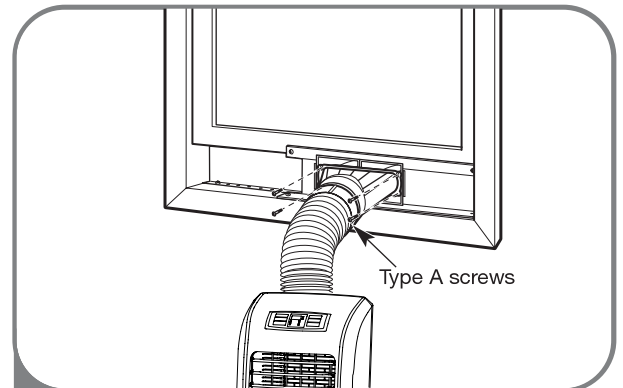
- 4 Cut the foam seal B(Non-adhesive type) to the window width. Stuff the foam seal B between the glass and the window to prevent air and insects from getting into the room.

INSTALLATION INSTRUCTIONS

INSTALLATION IN VERTICAL SLIDING WINDOWS



- 5** Install the security bracket with a type B screw, as shown.

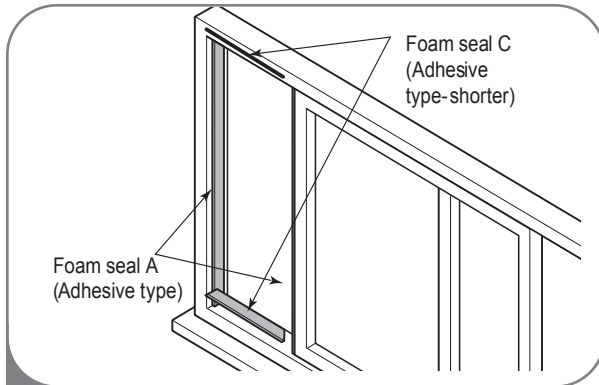


- 6** Insert the oval end of the diffuser into the window installation kit until the locking tabs engage. Secure in place with four Type A screws.

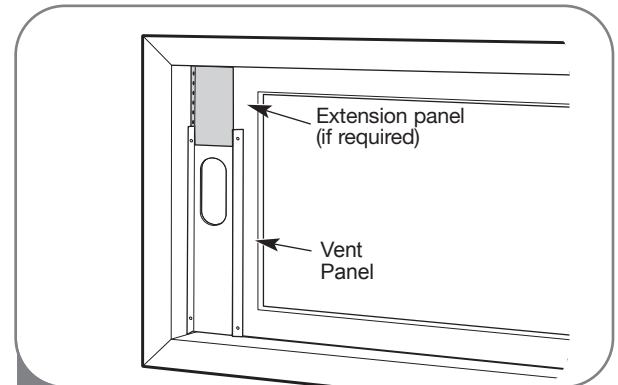
INSTALLATION INSTRUCTIONS

INSTALLATION IN CASEMENT STYLE WINDOWS

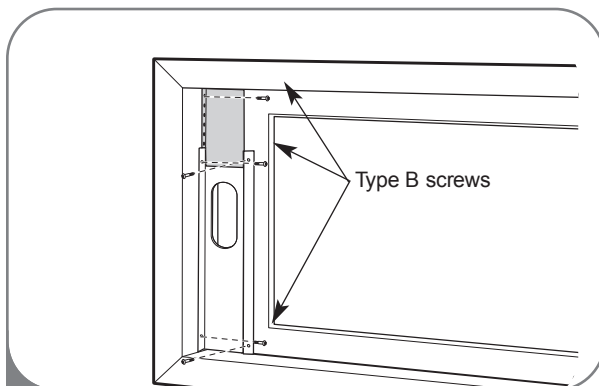
NOTE: The window installation kit can be used with casement windows between 18" and 48" tall.



- 1 Cut the foam seal A(adhesive type) & C(adhesive type-shorter) to the proper length, and attach it to the window sash and frame.



- 2 Insert the vent panel assembly, including extension panels, if needed, into the window opening. Extend the extension panels, if used.



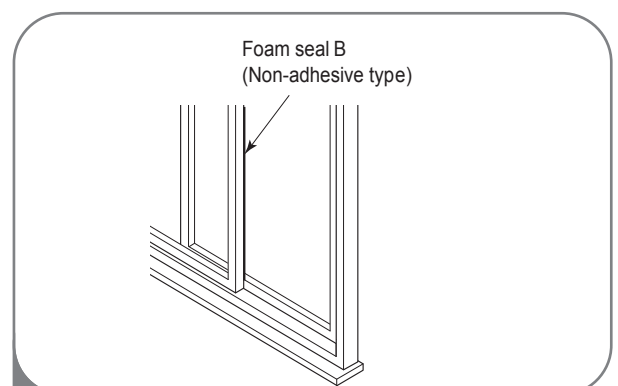
- 3 Carefully close the window. Secure the vent panel in place with 4 type B screws, plus one screw for each extension:

Vent panel only: 4 type B screws

Vent panel and one extension: 5 type B screws

Vent panel and two extensions: 6 type B screws

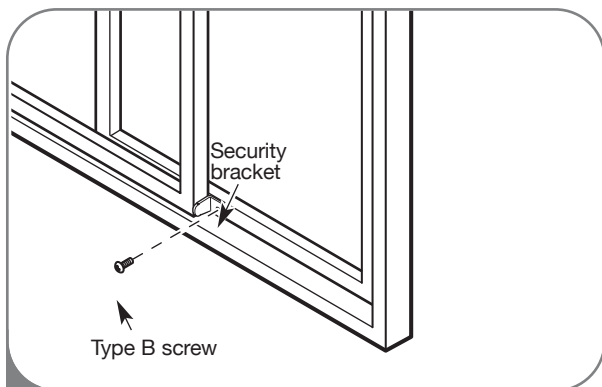
Two vent panels and two extensions: 9 type B screws



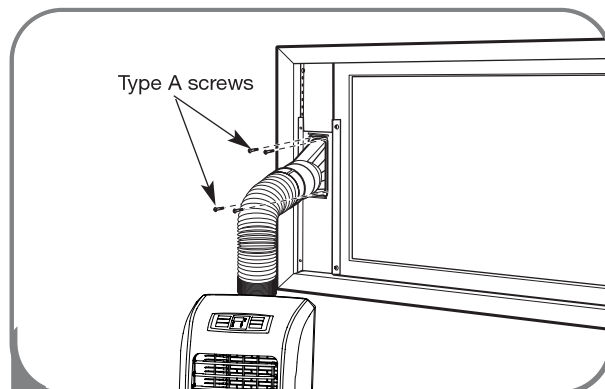
- 4 Cut the foam seal B(Non-adhesive type) to the window height. Stuff the foam seal B between the glass and the window to prevent air and insects from getting into the room.

INSTALLATION INSTRUCTIONS

INSTALLATION IN CASEMENT STYLE WINDOWS



- 5 Install the window security bracket with a type B screw, as shown.



- 6 Insert the oval end of the diffuser into the window installation kit until the locking tabs engage. Secure in place with four of the included screws.

CARE AND CLEANING

Your air conditioner is designed for year-round operation with only minimal cleaning and maintenance.

For maximum efficiency, it is recommended that you have the cooling coils inspected and cleaned annually. Your local LG Authorized Service Center can provide this inspection and cleaning service for a nominal fee.

WARNING

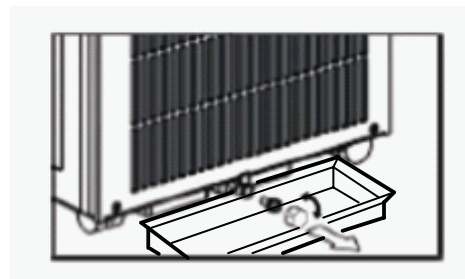
- **Unplug the air conditioner before cleaning or performing any maintenance or servicing.**
- **Be careful when cleaning coils or removing or reinstalling the filter—the cooling fins are sharp!**

Failure to follow the above precautions could result in electrical shock or personal injury.

WATER DRAINAGE

This product has a self-evaporative system. The condensing water will be recycled to cool the condenser. This can not only improve cooling efficiency, but also save energy for you.

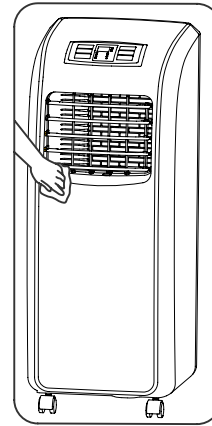
- 1 If the inside water is full, the display panel will display “FL”, and the compressor will stop running.
- 2 Please turn the machine off and move the machine to the place where can drain water, then unplug the water-draining hole. After drainage, you can power it on and the machine will run again.
- 3 When the internal water collection tank is full, the air conditioner will turn off until the tank is emptied.
 - Unplug the air conditioner, disconnect the exhaust hose from the back, and move the air conditioner to a suitable drain location or outdoors. You may also place a pan under the drain that will hold up to 1 quart of water.
 - Remove the drain cap from the drain outlet.
 - Once the water collection tank is drained, reinstall the drain cap, making sure it is on securely.
 - Place the air conditioner in the desired location, reconnect the exhaust hose, and plug in the air conditioner.



CARE AND CLEANING

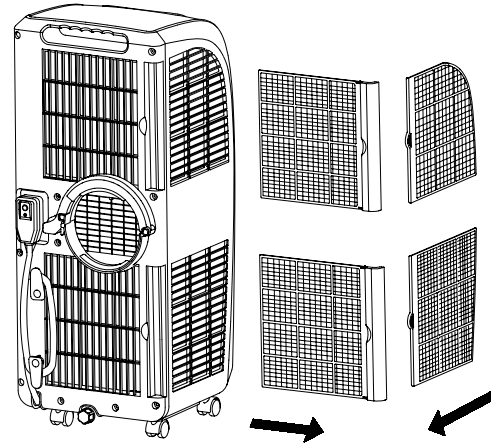
Cleaning

- Unplug the unit before any cleaning.
- Clean the housing with a soft moisture cloth. Do not use chemical solvent (such as benzene, alcohol, gasoline). The surface may be damaged or even the whole case may be deformed.
- Do not sprinkle water on the unit.



Air filter

- Clean the air filter every 2 weeks. If the air filter is blocked with dust, the efficiency will reduce.
- Open the air filter cover upwards, then take out the air filter.
- Wash the air filter by immersing it gently into warm (about 40°C) water with a neutral detergent, rinse it and dry it thoroughly in a shaded place.



Defrost Operation

- The dehumidifier has a built-in defrost control senses frost built up on the evaporator coils. During defrost the compressor off, keeping the fan on to defrost the coils.

CARE AND CLEANING

STORING THE AIR CONDITIONER

If the air conditioner will not be used for an extended period of time :

- 1 Drain the water collection tank completely and leave the bottom drain cap off long enough to allow any residual water to drain out. Once the tank is completely drained and no more water flows out, reinstall the cap.
- 2 Remove and clean the filter, allow it to dry completely, then reinstall it.
- 3 Remove the batteries from the remote.
- 4 Store the air conditioner in a cool, dry location, away from direct sunlight, extreme temperatures, and excessive dust.

Before using the air conditioner again :

- 1 Make sure the filter and drain cap are in place
- 2 Check the cord to make sure it is in good condition, with no cracks or damage.
- 3 Place new batteries in the remote.
- 4 Install the air conditioner as described in the Installation Instructions.

TROUBLESHOOTING

BEFORE CALLING FOR SERVICE

Before you call for service, review this list. It may save you time and expense. This list includes common occurrences that are not the result of a defect in workmanship or materials.

Problem	Possible Causes	Solutions
Air conditioner will not start	<ul style="list-style-type: none">• The air conditioner plug is not completely inserted in the electrical outlet.• The house fuse is blown or the circuit breaker has tripped.• Power failure.• The integrated circuit breaker in the plug has tripped.• FL appears in the display.• Room temperature is less than the set temperature.	<ul style="list-style-type: none">• Make sure electrical plug is plugged completely into a live, properly grounded outlet.• Replace the fuse or reset the circuit breaker. Make sure that there are no other appliances on the same circuit.• If a power failure occurs, turn the power OFF. When power is restored, wait 3 minutes before restarting the air conditioner.• Press the RESET button on the air conditioner plug. If the reset button will not stay engaged, unplug the air conditioner and contact a qualified service technician.• The water collection tank is full. Drain the tank and reset your settings.• This is normal. The air conditioner automatically shuts off when the room equals or is less than the set temperature. Adjust the temperature setting, if needed.
Air conditioner does not cool properly	<ul style="list-style-type: none">• Airflow is restricted.• The air filter is dirty.• The room is very hot, or not enough time allowed for cooling.• Cold air is escaping.• Cooling coils have iced up.	<ul style="list-style-type: none">• Make sure there is sufficient clearance around the air conditioner and that the air inlet and outlet are not blocked by furniture, curtains, etc.• Clean the air filter at least every two weeks. See the <i>Care and Cleaning</i> section.• When first turned on, allow the air conditioner sufficient time to cool the room.• Check for open furnace floor registers or cold air returns, or open windows or doors.• In especially hot, humid weather and when the air conditioner is running frequently or for extended periods, ice can form on the cooling coils, blocking air flow. Set the controls to High Fan or High Cool, and set to a warmer temperature.
Air conditioner runs too often or too long	<ul style="list-style-type: none">• Area to be cooled is too large for the air conditioner.• Doors or windows are open.	<ul style="list-style-type: none">• Consult your dealer for the air conditioner capacity necessary to cool the desired area.• Make sure doors and windows are closed.

TROUBLESHOOTING

BEFORE CALLING FOR SERVICE

Problem	Description
<i>Code appears in the display.</i> FL E1, E2 E4	<ul style="list-style-type: none">• Protection (Water-full protection, to prevent spilling).• Sensor protection, to avoid occurrence of unit damage, auto-stop protection.• When coil sensor feels coil temperature is $\leq 2^{\circ}\text{C}$, the unit will stop and display E4 to defrost, and fan speed is low.• When coil temperature runs up to $\geq 8^{\circ}\text{C}$, the unit will re-cool.

Cautions: Switch off the unit and unplug it immediately if anything abnormal happens.
Then contact a qualified electrician.
Above data without advance notice for product improvement.

LG ELECTRONICS, INC.
PORTABLE AIR CONDITIONER LIMITED WARRANTY — USA



Should your LG Portable Air Conditioner prove to be defective in material or workmanship under normal use during the warranty period listed below, effective from the date of original consumer purchase of the product, LG Electronics will replace the defective part(s). Replacement parts will meet intended fit and function of the original part. Replacement parts are warranted for the unexpired portion of the original warranty period. This limited warranty is good only to the original purchaser of the product and effective only when used in the United States of America.

<p><u>WARRANTY PERIOD:</u></p> <p>Labor: 1 Year from the Date of Purchase.</p> <p>Parts: 1 Year from the Date of Purchase.</p> <p>Compressor: 5 Years from the Date of Purchase.</p>	<p><u>HOW SERVICE IS HANDLED:</u></p> <p>Call 1-800-243-0000 and choose the appropriate prompt. Please have product type (Portable Air Conditioner), model number, serial number, and ZIP code ready.</p> <p>The warranted labor covers the cost of In-Home Service on all parts including the compressor.</p>
--	--

No other warranty is applicable to this product. THIS WARRANTY IS IN LIEU OF ANY OTHER WARRANTY, EXPRESS OR IMPLIED, INCLUDING WITHOUT LIMITATION, ANY WARRANTY OF MERCHANTABILITY OR FITNESS FOR A PARTICULAR PURPOSE. TO THE EXTENT ANY IMPLIED WARRANTY IS REQUIRED BY LAW, IT IS LIMITED IN DURATION TO THE EXPRESS WARRANTY PERIOD ABOVE. NEITHER THE MANUFACTURER NOR ITS U.S. DISTRIBUTOR SHALL BE LIABLE FOR ANY INCIDENTAL, CONSEQUENTIAL, INDIRECT, SPECIAL, OR PUNITIVE DAMAGES OF ANY NATURE, INCLUDING WITHOUT LIMITATION, LOST REVENUES OR PROFITS, OR ANY OTHER DAMAGE WHETHER BASED IN CONTRACT, TORT, OR OTHERWISE. Some states and/or territories do not allow the exclusion or limitation of incidental or consequential damages or limitations on how long an implied warranty lasts, so the above exclusion or limitation may not apply to you. This warranty gives you, the original purchaser, specific legal rights and you may also have other rights that vary from state to state or territory to territory.

THIS LIMITED WARRANTY DOES NOT APPLY TO:

1. Service calls to your home for delivery or pick-up, installation, instruction, replacement of house fuses, connection of house wiring or plumbing, or to correct unauthorized repairs.
 2. Failure of product to perform during power failures and interruptions or inadequate electrical service.
 3. Damage caused by transportation or handling.
 4. Damage caused to the product by accident, vermin, lightning, winds, fire, floods, or acts of God.
 5. Damages caused by leaky or broken water pipes, frozen water pipes, restricted drain lines, or inadequate or interrupted water supply.
 6. Damages caused by inadequate supply of air.
 7. Damages caused by operating the product in a corrosive atmosphere.
 8. Repairs when your LG product is used in other than normal, single-family household use or contrary to the instructions described in the product User's Guide.
 9. Damage resulting from accident, alteration, misuse, abuse, or improper installation, repair, or maintenance. Improper repair includes the use of parts not approved or specified by LG.
 10. Normal maintenance as described in the User's Guide, such as cleaning or replacing filters, cleaning coils, etc.
 11. Use of accessories or components that are not compatible with this product.
 12. Products with altered or removed serial numbers.
 13. Changes in the appearance of the product that do not affect product performance.
 14. Increases in utility costs and additional utility expenses.
- The cost of repair or replacement under these excluded circumstances shall be borne by the consumer.**

TO CONTACT LG ELECTRONICS BY MAIL:

LG Customer Interactive Center
P. O. Box 240007
201 James Record Road
Huntsville, Alabama 35824
ATTN: CIC

Product Registration Information

Model Number: _____

Serial Number: _____

You can find these numbers on a label on the side of the air conditioner.

Date of Purchase: _____

Dealer's Name: _____

INTRODUCCIÓN

INSTRUCCIONES DE SEGURIDAD IMPORTANTES

Precauciones básicas de seguridad N	26,27
Seguridad eléctrica	27,28

PIEZAS Y CARACTERÍSTICAS

Piezas y componentes clave	29
Panel de control y control remoto	30

CÓMO UTILIZAR EL ARTEFACTO

Antes de utilizar su acondicionador de aire . . .	31,32
Cómo usar los controles	33

INSTRUCCIONES DE INSTALACIÓN

Elección de ubicación para la instalación	34
Cómo conectar la manguera y el difusor	35
Cómo conectar la protección contra lluvia	36
Panel de ventilación y extensiones de la ventana	37
Instalación en ventanas de deslizamiento vertical	38,39
Instalación en ventanas de deslizamiento horizontal	40,41

CUIDADO Y LIMPIEZA

Drinaje de agua	42
Limpieza	43
Filtro de aire	43
Operación descogelación	43
Cómo guardar el acondicionador de aire	44

DETECCIÓN DE PROBLEMAS

Antes de llamar al servicio técnico	45,46
---	-------

GARANTÍA

Información sobre registro de producto	47
--	----

¡GRACIAS!

Felicitaciones por su compra y
bienvenido a la familia de LG.
Su nuevo acondicionador de aire
LG combina un funcionamiento
de alta eficiencia con la comodidad
de la portabilidad.
Siguiendo las instrucciones de
funcionamiento y cuidados de este
manual, su acondicionador de aire
le brindará muchos años de
servicio confiable.

INSTRUCCIONES DE SEGURIDAD IMPORTANTES

LEA TODAS LAS INSTRUCCIONES ANTES DE USAR

Su seguridad y la seguridad de otros son muy importantes.

Hemos incluido muchos mensajes de seguridad importantes en este manual y en su artefacto. Siempre lea y obedezca todos los mensajes de seguridad.



Este es el símbolo de alerta de seguridad.

Este símbolo lo alerta sobre peligros potenciales que pueden matarlo a lastimarlo a usted o a otros.

Todos los mensajes de seguridad se encontrarán después de los símbolos de alerta de seguridad y de las palabras "ADVERTENCIA" O "PRECAUCIÓN". Estas palabras significan:

⚠️ ADVERTENCIA Este símbolo indica la posibilidad de muerte o lesiones graves.

⚠️ PRECAUCIÓN Este símbolo indica la posibilidad de lesiones o daños a la propiedad.

PRECAUCIONES BÁSICAS DE SEGURIDAD

⚠️ ADVERTENCIA Para reducir el riesgo de incendio, descarga eléctrica o lesiones personales al usar este artefacto, siga las precauciones básicas, incluyendo las siguientes:

- No intente reparar o cambiar ninguna pieza de su acondicionador de aire a menos que esté específicamente recomendado en este manual. Cualquier otro servicio debe realizarlo un técnico calificado.
- Si el cable de energía se gasta o daña, sólo un técnico calificado puede cambiarlo, utilizando piezas de repuesto genuinas.
- El aire acondicionado debe enchufarse en su propio circuito de 15A, 60 Hz., 120 VAC con conexión a tierra.
- No enchufe otros artefactos en el mismo tomacorriente ya que puede sobrecargar el circuito y provocar un incendio o descarga eléctrica.
- No quite la pata redonda de conexión a tierra del enchufe. Puede provocar un riesgo de descarga eléctrica.
- El acondicionador de aire no está diseñado para que lo usen niños pequeños. Los niños pequeños deben estar siempre bajo control para asegurar que no jueguen o se cuelguen del acondicionador de aire.
- Asegúrese de quitar todos los materiales de empaque del acondicionador de aire antes de usarlo. Puede provocar lesiones personales.
- No desarme o modifique el acondicionador de aire o el cable de energía. Puede provocar un riesgo de descarga eléctrica o incendio.
- No coloque el cable de energía o acondicionador de aire cerca de un calentador, radiador, u otra fuente de calor. Puede provocar un riesgo de descarga eléctrica o incendio.
- No use este u otro artefacto cerca de gases o líquidos inflamables u otros combustibles, tales como gasolina, benceno, solvente, etc. Puede provocar un riesgo de descarga eléctrica o incendio.
- Verifique que el cable de energía esté enchufado firmemente y por completo en el tomacorriente. Puede provocar un riesgo de descarga eléctrica o incendio.
- No inicie o detenga el funcionamiento enchufando o desenchufando el cable de energía. Puede provocar un riesgo de descarga eléctrica.
- Si el acondicionador de aire está haciendo sonidos inusuales o está emitiendo humo u olor poco común, desenchúfelo de inmediato. Puede provocar un riesgo de descarga eléctrica o incendio.
- No lo use si el tomacorriente está suelto o dañado. Puede provocar un riesgo de descarga eléctrica o incendio.
- No lo opere con manos mojadas o en un medio húmedo. Puede provocar un riesgo de descarga eléctrica.
- No utilice este u otro artefacto eléctrico si huele gas. Puede provocar un riesgo de incendio o explosión.
- Apague y desenchufe el acondicionador de aire antes de limpiarlo para evitar el riesgo de una descarga eléctrica.
- No limpie la unidad con agua. El agua puede ingresar a la unidad y dañar la aislación, creando así un peligro de descarga eléctrica. Si ingresa agua a la unidad, desenchúfela de inmediato y comuníquese con el Servicio de atención al cliente. Puede provocar un riesgo de descarga eléctrica.
- Utilice dos o más personas para levantar e instalar la unidad. No hacerlo puede provocar lesiones en la espalda u otras lesiones.

INSTRUCCIONES DE SEGURIDAD IMPORTANTES

LEA TODAS LAS INSTRUCCIONES ANTES DE USAR

PRECAUCIONES BÁSICAS DE SEGURIDAD

⚠ PRECAUCIÓN Para reducir el riesgo de incendio, descarga eléctrica o lesiones a personas cuando utilice este artefacto, deben seguirse precauciones básicas de seguridad, incluyendo las siguientes:

- Para evitar posibles cortes, evite el contacto con las piezas metálicas del acondicionador de aire cuando quite o vuelva a instalar el filtro. Puede provocar un riesgo de lesiones personales.
- No bloquee la toma o salida de aire del acondicionador de aire. Una corriente de aire reducida provocará un desempeño pobre y podría dañar la unidad.
- Siempre tome el enchufe cuando enchufe o desenchufe el acondicionador de aire. Nunca desenchufe tirando del cable. Puede provocar un riesgo de descarga eléctrica y daños.
- Siempre apague y desenchufe el acondicionador de aire cuando no vaya a utilizarlo por períodos extensos. Esto conserva la energía y reduce la posibilidad de accidentes.
- Ajuste las ruedas con trabas para evitar que el acondicionador de aire se deslice en pisos lisos.
- Instale el acondicionador de aire sobre un piso resistente y nivelado que pueda soportar hasta 110 lbs (50 kg). La instalación sobre un piso débil o desparejo puede provocar un riesgo para la propiedad y lesiones personales.
- Verifique que el acondicionador de aire sea del tamaño adecuado para el área que desea enfriar. Usar un acondicionador de aire de un tamaño incorrecto puede malgastar energía y dañar el artefacto.
- Cierre todas las puertas y ventanas de la habitación para una operación más efectiva.
- Para evitar daños al acabado de la superficie, utilice sólo un paño suave para limpiar el acondicionador de aire. No utilice cera, solvente, o un detergente fuerte.
- Para evitar derrames y daños a la propiedad, asegúrese de drenar el acondicionador de aire correctamente.
- Para evitar que las serpentinas se congelen, no opere el acondicionador de aire si la temperatura de la habitación se encuentra por debajo de 62°F (17°C).
- No coloque el acondicionador de aire de modo de exponer mascotas o plantas domésticas a la corriente directa de aire. Puede provocar un riesgo de lesión para mascotas o plantas domésticas.
- Este acondicionador de aire está diseñado para un uso doméstico normal. No lo use para enfriar mascotas, alimentos, maquinaria de precisión u objetos de arte.
- No beba el agua del depósito de drenaje. Elimínela en el exterior o en el desagüe.
- No opere el acondicionador de aire sin el filtro en su lugar. El funcionamiento sin el filtro puede dañar la unidad.
- Limpie el filtro cada dos semanas, o más a menudo si hiciera falta.

SEGURIDAD ELÉCTRICA

⚠ ADVERTENCIA

Peligro de descarga eléctrica
No seguir estas instrucciones puede provocar la muerte, un incendio o una descarga eléctrica.

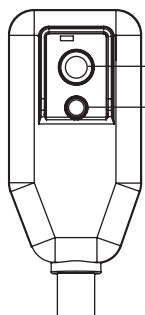
- Esta unidad debe contar con una adecuada conexión a tierra.
- Bajo ninguna circunstancia corte o quite la pata de conexión a tierra.
- Si no cuenta con un tomacorriente con una adecuada conexión, o si existe alguna duda sobre el mismo, un electricista calificado debe verificar el tomacorriente o el circuito, y si fuese necesario, instalar un tomacorriente con adecuada conexión.
- Este acondicionador de aire debe conectarse en un tomacorriente con conexión a tierra de 60 Hz, 120 VAC protegido por un fusible de acción retardada de 15 amperes o un disyuntor.
- Este acondicionador de aire debe instalarse de acuerdo con los códigos nacionales de cableado.
- No altere o modifique el enchufe o cable de este acondicionador de aire. Si el cable de energía se gasta o daña, sólo un técnico calificado puede cambiarlo utilizando piezas de repuesto genuinas.
- No utilice un cable de extensión.

INSTRUCCIONES DE SEGURIDAD IMPORTANTES

READ ALL INSTRUCTIONS BEFORE USE

SEGURIDAD ELÉCTRICA

DISYUNTOR INTEGRADO

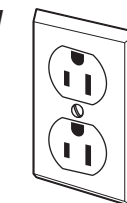
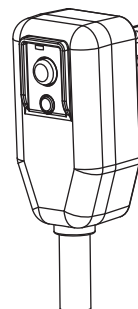


Reset
Test

Para seguridad adicional, el cable de energía cuenta con un disyuntor integrado. Los botones de prueba y de reconfiguración se encuentran en el enchufe. El disyuntor debe probarse en forma periódica presionando el botón TEST (prueba) y luego el

botón RESET (reconfiguración). Si el botón TEST (prueba) no hacen saltar el disyuntor, o si el botón RESET (reconfiguración) no queda trabado, desenchufe el acondicionador de aire de inmediato y comuníquese con un técnico de LG.

MÉTODO DE CONEXIÓN A TIERRA PREFERIDO



Verifique que haya una conexión a tierra adecuada antes del uso.

Debido a peligros de seguridad potenciales, recomendamos enfáticamente no utilizar un enchufe adaptador.

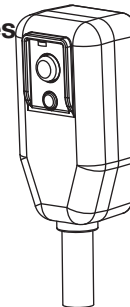
Para conexiones temporales, use solo un adaptador listado UL. Verifique que la ranura grande del adaptador esté alineada con la ranura grande del tomacorriente.

Para evitar daños a la terminal de la conexión a tierra del adaptador, sostenga el adaptador en su lugar mientras enchufa o desenchufa el acondicionador de aire.

- Conectar la terminal de la conexión a tierra del adaptador al tornillo de la tapa del tomacorriente de pared no conectará el artefacto a tierra a menos que el tornillo sea de metal y no aislado, y el tomacorriente de pared esté conectado a tierra a través del cableado doméstico.

MÉTODO DE CONEXIÓN A TIERRA TEMPORAL

(El uso de enchufes adaptadores no está permitido en Canadá)



Verifique que haya una conexión a tierra adecuada antes del uso.

- Una conexión y desconexión frecuente pueden dañar la terminal de tierra del adaptador. Nunca utilice un adaptador roto o dañado.

GUARDE ESTAS INSTRUCCIONES

PIEZAS Y CARACTERÍSTICAS

PIEZAS Y COMPONENTES CLAVE

1 *La Transpiración del Aire*

La dirección del aire se puede controlar adondequiera que usted necesite frescar por ajustar la lumbreira horizontal. Ajustar arriba y abajo la lumbreira horizontal va a cambiar el fluido vertical.

2 *PANEL DE CONTROL Y PANTALLA*

La pantalla digital de fácil lectura muestra la temperatura configurada y las luces indicadoras indican el modo de funcionamiento. Los simples botones de presión facilitan y aceleran los cambios de configuración.

3 *RUEDAS GIRATORIAS*

Las ruedas giratorias le permiten desplazar el acondicionador de aire fácilmente sobre la mayoría de las superficies.

4 *CONTROL REMOTO INFRARROJO*

El control remoto le permite ajustar la temperatura y manejar la mayoría de las funciones del acondicionador de aire desde lejos.

5 *VENTANILLA PARA EXPULSAR EL AIRE DE ESCAPE*

Encaje el extremo de adaptador grande de la manguera en el agujero a la espalda del aire acondicionado. Alinee el imperdible sobre el contacto con el gargol en el agujero. Gire ligeramente a las derechas hasta que lo encaje en su lugar.

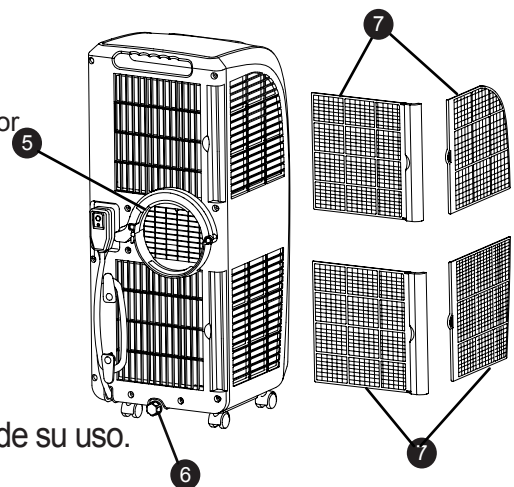
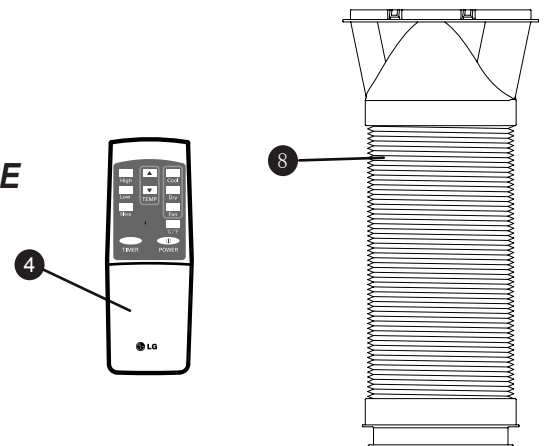
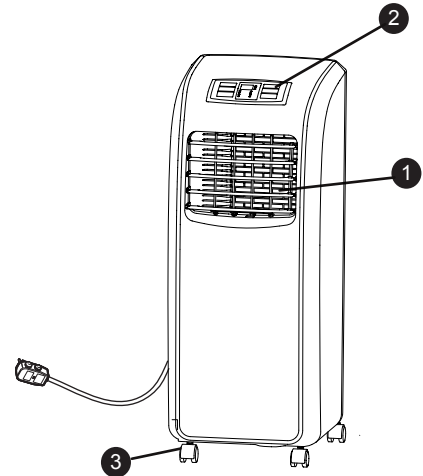
6 *PUERTO INFERIOR DE DRENAJE*

Antes de desplazar la unidad, drene completamente el depósito interno de recogida de agua mediante el puerto inferior de drenaje.

7 *FILTRO DE AIRE*

8 *MANGUERA Y DIFUSOR*

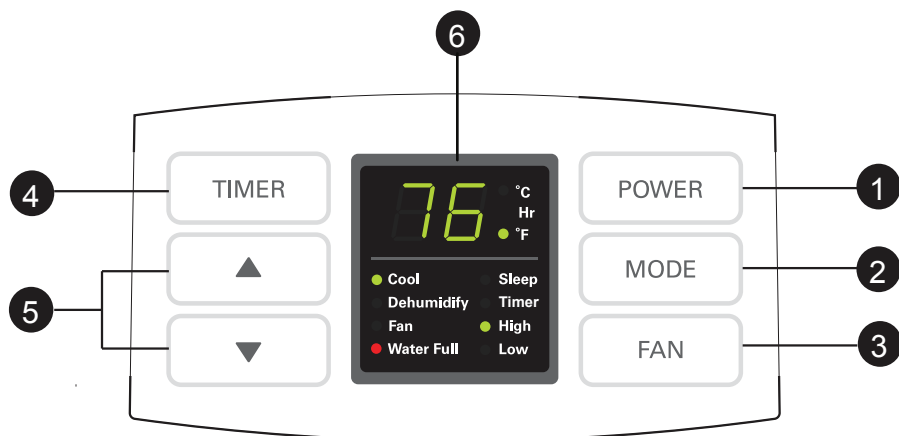
Utilice el difusor y la manguera para conectar el acondicionador de aire al equipo de instalación de la ventana para enviar el aire de salida hacia fuera.



Chequee todos los accesorios incluidos en el paquete y por favor consulte las instrucciones de instalación en caso de su uso.

PIEZAS Y CARACTERÍSTICAS

PANEL DE CONTROL Y CONTROL REMOTO



El uso de funciones es el mismo cuando utilice el control remoto o el panel de control, a menos que se indique lo contrario.

Para instrucciones detalladas de cada función, lea las páginas siguientes.

1 PODER

La operación se empieza al apretar el botón y se termina al hacerlo otra vez.

2 MODO

Apriete este botón para elegir el modo de COOL (REFRIGERACIÓN), DRY (SECADO), FAN (VENTILADOR)

3 FAN SPEED

Ajusta la velocidad del ventilador de circulación entre baja , alta .

4 TEMPORIZADOR

Apriete el botón para establecer TEMPORIZADOR ENCENDIDO, TEMPORIZADOR APAGADO o NO TIEMPO.

5 ARRIBA O ABAJO

Apriete los botones para establecer la temperatura del cuarto o tiempo cuando está en modo de Tiempo Encendido / Apagado.

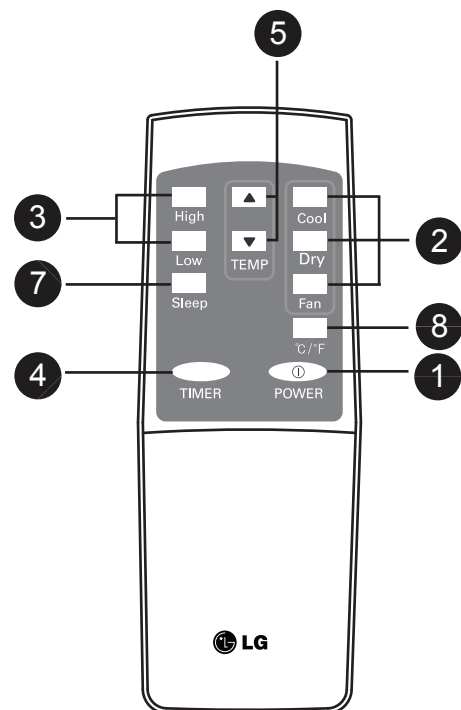
6 PANTALLA LED

Muestran diferentes signos a respecto

7 MODO DE SUSPENSIÓN

Al establecer el modo de suspensión, la temperatura va a subir 1°C después de 2 horas, y otras 2 horas después, 1°C más.

8 BOTÓN DE CAMBIO ENTRE CELSIU Y FAHRENHEIT



CÓMO UTILIZAR EL ARTEFACTO

ANTES DE UTILIZAR EL ACONDICIONADOR DE AIRE

PREPARACIÓN PARA LA OPERACIÓN

Lea las Instrucciones de instalación incluidas en este manual antes de usar el acondicionador de aire.

Una vez que el acondicionador de aire se ha montado e instalado correctamente:

- 1** Conecte el cable en su propia fuente de alimentación bien colocada en el suelo. No conecte otros aparatos en la misma fuente, si no, podría causar una sobrecarga de la toma de corriente y crear un peligro de incendio.
- 2** Asegúrese de que el acondicionador de aire y el cable estén ubicados en un lugar donde nadie pueda tropezarse y donde reciban una ventilación adecuada. No lo coloque directamente al lado de muebles u objetos que podría bloquear las aberturas de ventilación.
- 3** Verifique que los elementos que podrían volarse o dañarse por la corriente de aire proveniente del ventilador no se encuentren en el camino de la corriente.

IMPORTANTE:

- No permanezca frente a la corriente de aire del acondicionador de aire por períodos largos.
- Para evitar el daño o lesión a mascotas o plantas, constate que no estén expuestos a la corriente directa del acondicionador de aire.
- Cuando lo use al mismo tiempo con cocinas, chimeneas, u otros dispositivos de combustión, asegúrese de que haya una suficiente corriente de aire fresco en la habitación. **No** lo use en espacios muy cerrados con esta clase de dispositivos.
- Este acondicionador de aire es para uso doméstico como un artefacto de confort para el consumidor. **No** lo use como un sistema de control preciso de clima, o para enfriar equipamientos de precisión, alimentos, mascotas, plantas, obras de arte, etc. Dichos elementos podrían dañarse.
- No doble el tubo flexible hacia abajo si no dispone del conjunto de instalación de la ventana. Se puede dañar el sistema de aire acondicionado o se puede deteriorar su funcionamiento.

CÓMO DESEMPACAR EL ACONDICIONADOR DE AIRE

Quite y guarde los materiales de empaque para volverlos a usar.

Quite la cinta de embalaje antes de usar el acondicionador de aire. Si la cinta deja restos de adhesivo, frote una pequeña cantidad de jabón líquido y limpie con un paño húmedo. **NO USE** instrumentos afilados, alcohol, solventes, o limpiadores abrasivos para quitar el adhesivo. Podrían arruinar el acabado.

CÓMO UTILIZAR EL ARTEFACTO

ANTES DE UTILIZAR EL ACONDICIONADOR DE AIRE

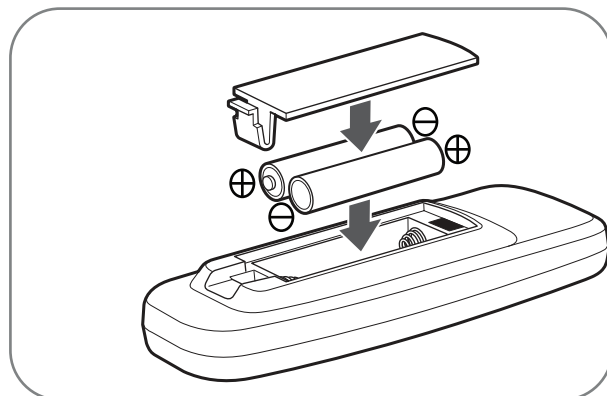
CÓMO COLOCAR LAS BATERÍAS EN EL CONTROL REMOTO

Antes de usar el control remoto, instale las baterías AAA provistas:

- 1** Presione la lengüeta de bloqueo de la tapa de las baterías en la parte trasera del control remoto y quite la tapa.
- 2** Introduzca dos baterías alcalinas nuevas AAA en el compartimento de las baterías, asegurando de utilizar la polaridad correcta.
- 3** Vuelva a colocar la tapa de las baterías, verificando que la lengüeta queda trabada en su lugar.

NOTAS:

- Sólo use baterías alcalinas. No utilice baterías recargables.
- Al cambiar las baterías, siempre reemplácelas con unidades nuevas. No mezcle baterías usadas con nuevas.
- Si el acondicionador de aire no será utilizado por un período prolongado, quite las baterías del control remoto.



⚠ PRECAUCIÓN

- **Si entra líquido de las pilas en contacto con la piel o ropa, lávela inmediatamente con agua.** No utilice el control remoto si las pilas tienen fugas.
- **Si el líquido de las pilas alcanzara su boca, cepille sus dientes y consulte a un médico.** Los productos químicos de las pilas podrían causar quemaduras u otros perjuicios a la salud.

CÓMO UTILIZAR EL ARTEFACTO

CÓMO USAR LOS CONTROLES

A continuación pueden verse los botones del panel de control. La operación con el control remoto es la misma, a menos que se especifique lo contrario.

1. MODO DE FRESCO

- Apriete el botón de MODO para elegir el modo de FRESCO, y el indicador de este modo centeará.
- Apriete el botón de ARRIBA o ABAJO para establecer la temperatura del cuarto de los 62°F a los 86°F .
- Apriete el botón VELOCIDAD (o el botón ALTO / BAJO) para elegir la velocidad del ventilador alta o baja.

2. MODO DE VENTILACIÓN

- Apriete el botón de MODO (o botón de Ventilación) para elegir su modo de Ventilación, y el indicador del mismo modo entrelará.
- Elija la velocidad con apretar el botón de VENTILACIÓN o marcar el botón de ALTO / BAJO directamente.
- La temperatura no se puede establecer.

3. MODO SECO

- Seleccione el botón Dry (Seco) para activar el modo de deshumidificación.
- En el modo Dry (Seco) la velocidad del ventilador está predefinida. El botón de velocidad no estará disponible. La temperatura tampoco puede seleccionarse.
- Pulse el botón de oscilación para hacer que la rejilla oscile .

⚠ NOTA

- Siempre apunte el remoto en el sensor. El control remoto no puede funcionar si el sensor está en la luz brillante o si no hay una ruta clara entre el remoto y el sensor.

4. MODO DE TIEMPO

- Cuando el aparato está apagado, apriete el botón de Temporizador para establecer Temporizador-encendido.
- Apriete el botón de ARRIBA o ABAJO para establecer el tiempo desde 1 hora hasta 24 horas, y el indicador de tiempo entrelará.
- Cuando el aparato está funcionando, apriete el botón de Temporizador para establecer el temporizador-apagado.

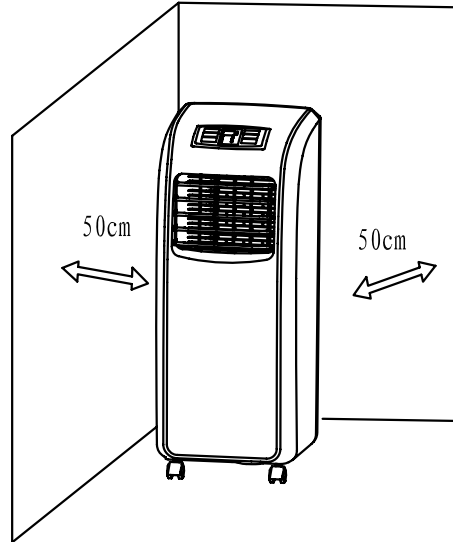
5. MODO DE SUSPENSIÓN

- Al establecer el modo de suspensión, la temperatura subirá 1°C después de 2 horas, y otras 2 horas después, un otro 1°C más.
- Luego va a seguir estable y bajo un soplo de viento.

INSTRUCCIONES DE INSTALACIÓN

Elección de ubicación para la instalación.

- 1 Instale la unidad sobre un sitio plano y seco.
- 2 Para lograr un mejor rendimiento, deje al menos 50 cm de espacio a todos los lados de la unidad para una buena circulación de aire.



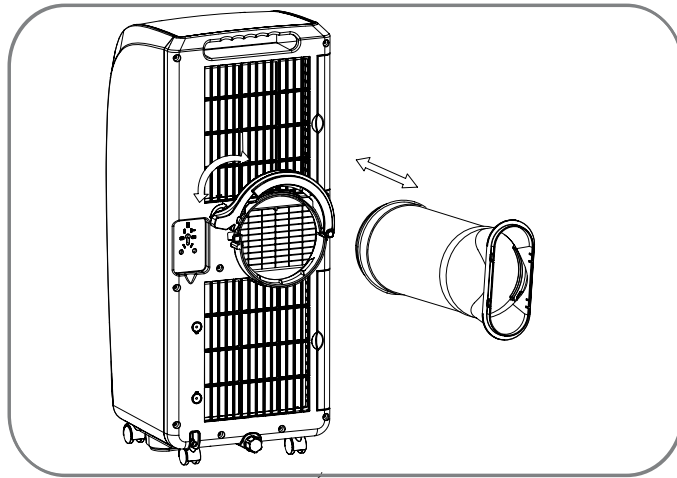
⚠ ADVERTENCIA

La longitud del tubo de escape es designado especialmente de acuerdo a las especificaciones del producto. No lo sustituya ni prolongue con su manguera privada ya que esto podría causar mal funcionamiento.

INSTRUCCIONES DE INSTALACIÓN

CÓMO CONECTAR LA MANGUERA Y EL DIFUSOR

NOTA: El acondicionador de aire se envía con la manguera instalada. Si fuese necesario, la manguera puede quitarse para limpieza o almacenamiento. Simplemente invierta los pasos siguientes para quitarla.



Introduzca el extremo grande del adaptador de la manguera dentro del orificio ubicado en la parte trasera del acondicionador de aire.

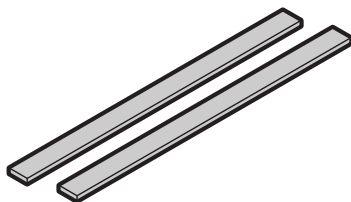
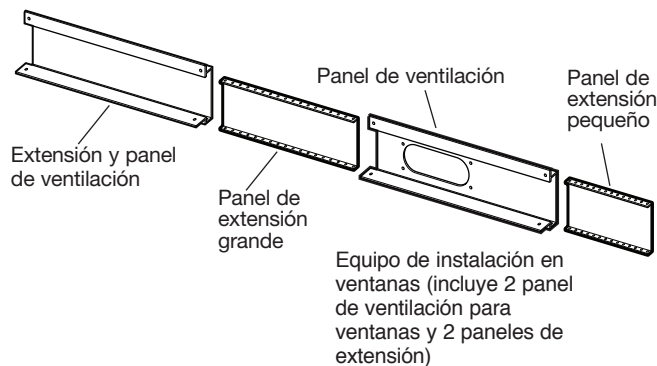
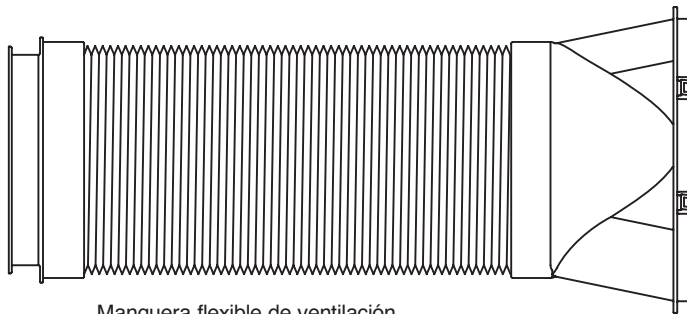
INSTRUCCIONES DE INSTALACIÓN

PREPARACIÓN PARA LA INSTALACIÓN

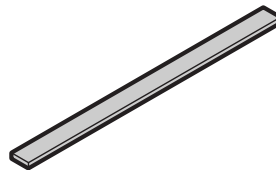
⚠ ADVERTENCIA ¡El acondicionador de aire es pesado! ¡Utilice dos o más personas para levantar e instalar la unidad! No hacerlo puede provocar lesiones en la espalda u otras lesiones.

COMPONENTES DE SALIDA

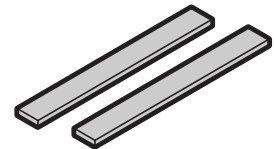
Los siguientes componentes se usan para la ventilación de la ventana.
No todos los componentes se utilizan en todas las instalaciones.



2 selladores de espuma Tipo A (adhesivos)



1 sellador de espuma Tipo B (no adhesivos)



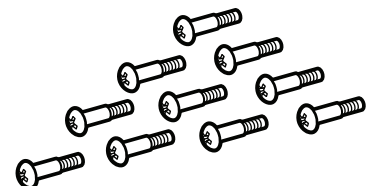
Sellante de espuma C 2EA (Tipo adhesivo-más corto)



Soporte de seguridad



4 tornillos Tipo A

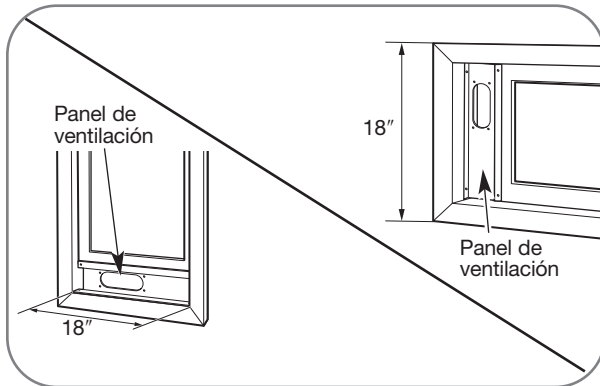


10 tornillos Tipo B

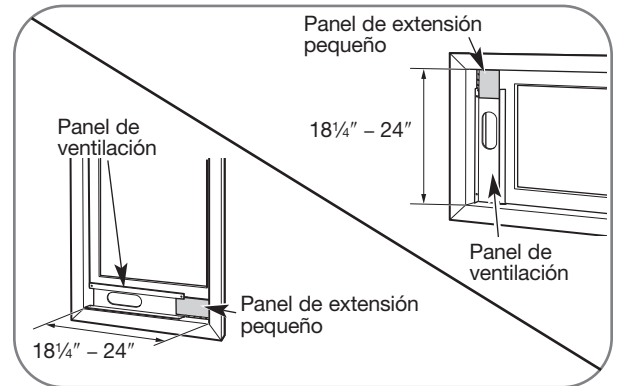
INSTRUCCIONES DE INSTALACIÓN

PANEL DE VENTILACIÓN Y EXTENSIONES DE LA VENTANA

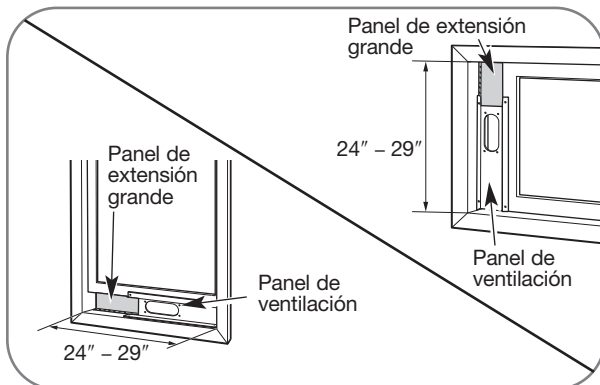
El equipo de instalación le permite instalar el acondicionador de aire en la mayoría de las ventanas de deslizamiento vertical de 18" a 48" de ancho, o ventanas deslizamiento horizontal de 18" a 48" de altura.



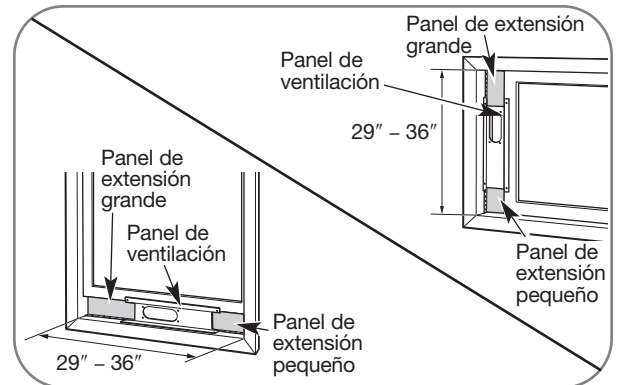
Para una abertura de ventana de 18", use el panel de ventilación solo.



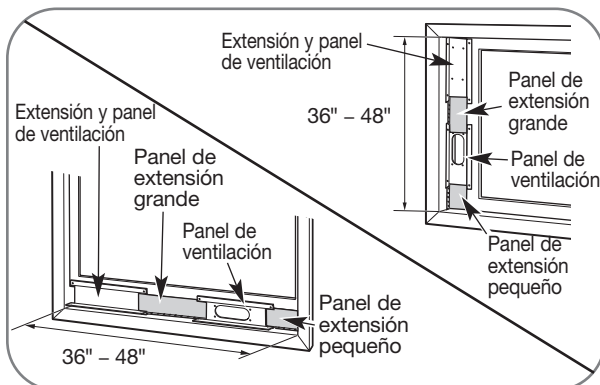
Para aberturas de ventana de 18 1/4" a 24", utilice el panel de ventilación y el panel de extensión pequeño.



Para aberturas de ventana de 24" a 29", utilice el panel de ventilación y el panel de extensión grande.



Para aberturas de ventana de 29" a 36", utilice el panel de ventilación y ambos paneles de extensión.

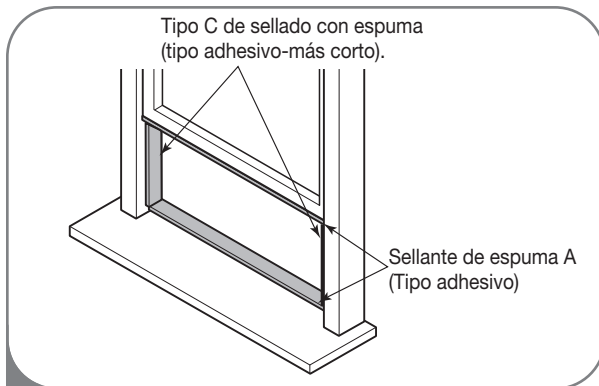


Para aberturas de ventana de 36" a 48", utilice el panel de ventilación y ambos paneles de extensión.

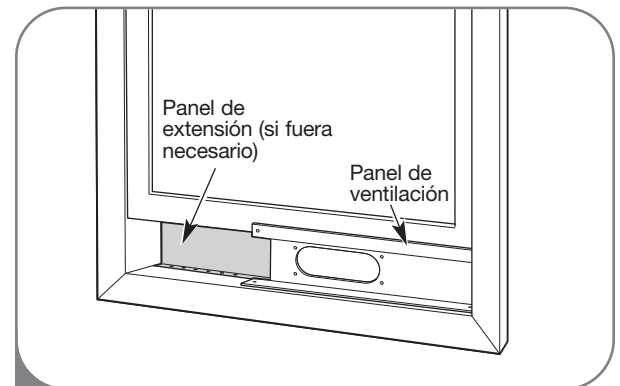
INSTRUCCIONES DE INSTALACIÓN

INSTALACIÓN EN VENTANAS DE DESLIZAMIENTO VERTICAL

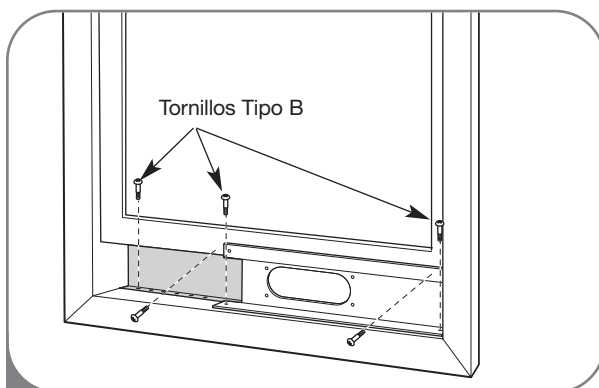
NOTA: El equipo de instalación en ventanas puede utilizarse con ventanas de deslizamiento vertical de un ancho de entre 18" y 48".



1 Corte la espuma A (tipo adhesivo) y C (tipo adhesivo-más corto) según la longitud adecuada, y colóquelo en la hoja y el marco de la ventana.



2 Introduzca el montaje de panel de ventilación, incluyendo los paneles de extensión, si fueran necesarios, en la abertura de la ventana. Extienda los paneles de extensión, si los está utilizando.



3 Baje la ventana con cuidado. Ajuste el panel de ventilación en su lugar con 4 tornillos tipo B, más un tornillo por cada extensión:

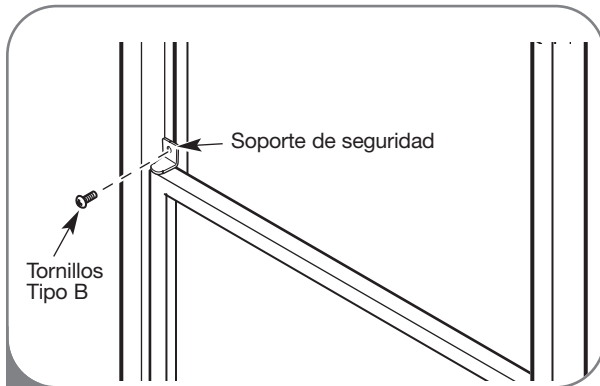
Sólo panel de ventilación:	4 tornillos Tipo B
Panel de ventilación y una extensión:	5 tornillos Tipo B
Panel de ventilación y dos extensiones:	6 tornillos Tipo B
Dos paneles de ventilación y dos extensiones:	9 tornillos Tipo B



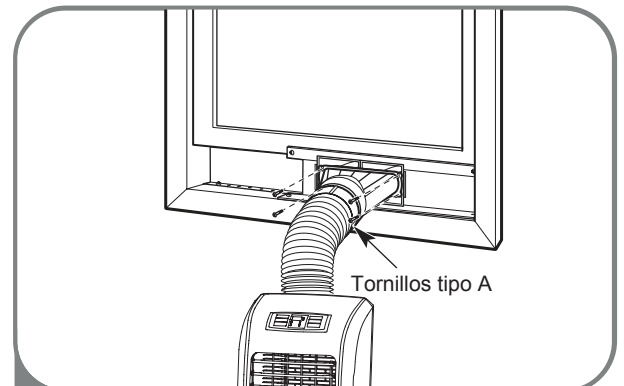
4 Corte la espuma B (tipo no adhesivo) según el ancho de la ventana. Rellene con la espuma B la separación existente entre el cristal y la ventana a fin de prevenir la entrada de aire o insectos en la habitación.

INSTRUCCIONES DE INSTALACIÓN

INSTALACIÓN EN VENTANAS DE DESLIZAMIENTO VERTICAL



- 5** Instale el soporte de seguridad con un tornillo tipo B, como puede verse.

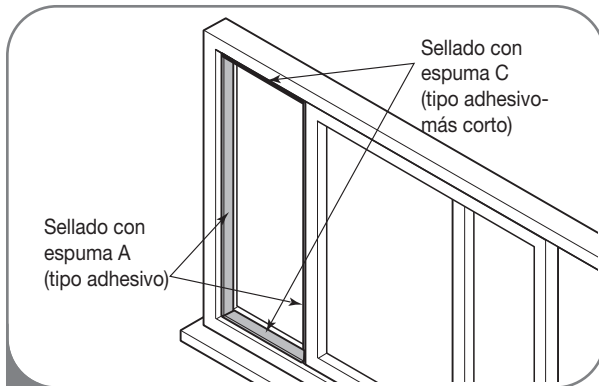


- 6** Introduzca el extremo oval del difusor dentro del equipo de instalación en ventanas hasta que las lengüetas queden trabadas. Ajuste en su lugar con cuatro tornillos Tipo A.

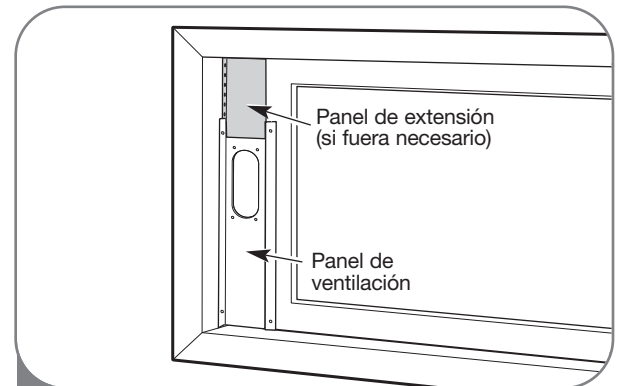
INSTRUCCIONES DE INSTALACIÓN

INSTALACIÓN EN VENTANAS DE DESLIZAMIENTO HORIZONTAL

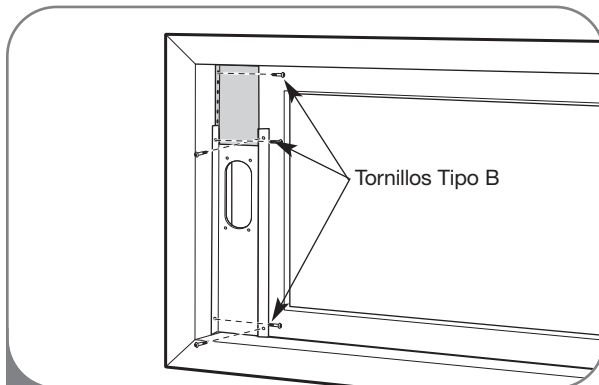
NOTA: El equipo de instalación de ventanas puede usarse con ventanas con bisagras con una altura de 18" a 48".



- 1** Corte la espuma A (tipo adhesivo) y C (tipo adhesivo-más corto) según la longitud adecuada, y colóquelo en la hoja y el marco de la ventana.

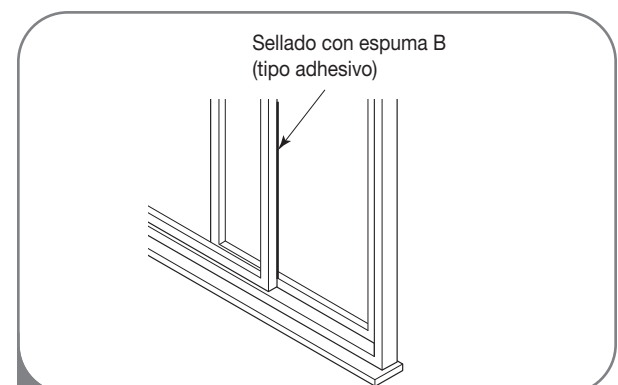


- 2** Introduzca el montaje de panel de ventilación, incluyendo los paneles de extensión, si fueran necesarios, en la abertura de la ventana. Extienda los paneles de extensión, si los está utilizando.



- 3** Cierre la ventana con cuidado. Ajuste el panel de ventilación en su lugar con 4 tornillos tipo B, más un tornillo por cada extensión:

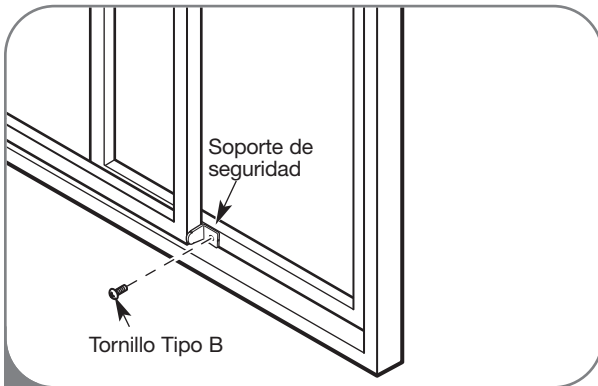
Sólo panel de ventilación:	4 tornillos Tipo B
Panel de ventilación y una extensión:	5 tornillos Tipo B
Panel de ventilación y dos extensiones:	6 tornillos Tipo B
Dos paneles de ventilación y dos extensiones:	9 tornillos Tipo B



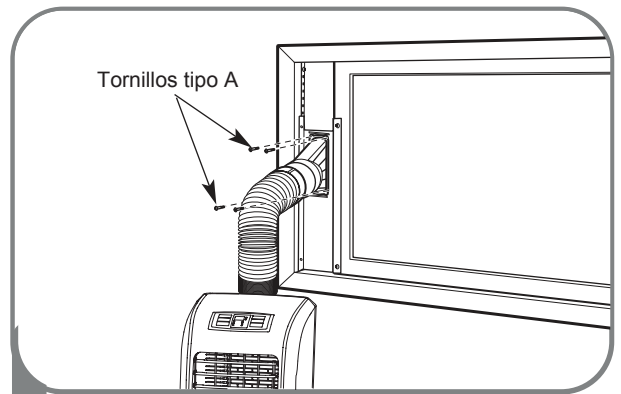
- 4** Corte la espuma B (tipo no adhesivo) según el ancho de la ventana. Rellene con la espuma B la separación existente entre el cristal y la ventana a fin de prevenir la entrada de aire o insectos en la habitación.

INSTRUCCIONES DE INSTALACIÓN

INSTALACIÓN EN VENTANAS DE DESLIZAMIENTO HORIZONTAL



- 5 Instale el soporte de seguridad con un tornillo tipo B, como puede verse.



- 6 Introduzca el extremo oval del difusor dentro del equipo de instalación en ventanas hasta que las lengüetas queden trabadas. Ajuste en su lugar con cuatro de los tornillos incluidos.

CUIDADO Y LIMPIEZA

Su acondicionador de aire está diseñado para funcionar durante todo el año con sólo una limpieza y mantenimiento mínimos.

Para una eficiencia máxima, se recomienda que haga inspeccionar y limpiar las serpentinas de enfriamiento una vez por año. Su Centro de Servicio Autorizado LG local puede prestar este servicio de inspección y limpieza por una módica suma.

! ADVERTENCIA

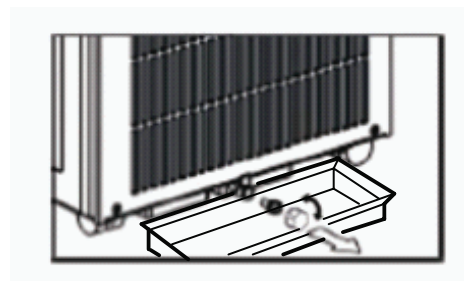
- **Desenchufe el acondicionador de aire antes de limpiar o realizar cualquier clase de mantenimiento o arreglo.**
- **Tenga cuidado al limpiar las serpentinas o al quitar o volver a instalar el filtro: ¡las aletas de enfriamiento son filosas!**

No seguir estas precauciones puede provocar una descarga eléctrica o lesiones personales.

Drinaje de agua

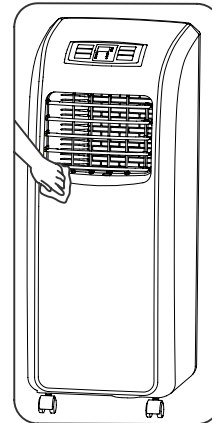
Este producto tiene un sistema de auto-evaporación. El agua de condensación, se reciclará para enfriar el condensador. Esto no sólo puede mejorar la eficiencia de enfriamiento, sino también ahorrar energía para usted.

- 1 Si el agua interior está llena, la pantalla panel mostrará "FL", y el compresor terminará de funcionar.
 - 2 Apague la máquina y muévela adonde puede drenar el agua, a continuación, desenchufe el agujero de agua drenaje. Después del drenaje, puede encenderlo y la máquina volverá a trabajar.
 - 3 Cuando el tanque interior de colección de agua está lleno, el aire acondicionado se apagará hasta que el cual se vacíe.
- Desconecte el aire acondicionado y la manguera de escape de la espalda, y mueva el aire acondicionado a un lugar adecuado de drenaje o al aire libre. Usted también puede colocar un recipiente debajo de la salida de la drenaje. Con el cual puede recoger hasta 1 cuarto de agua.
 - Quite el tapón de drenaje de la salida.
 - Una vez que el tanque de colección de agua se drene, vuelva a instalar el tapón de drenaje confirmando que está en forma segura.
 - Coloque el aire acondicionado en la ubicación deseada, vuelva a conectar el tubo de escape y el aire acondicionado.



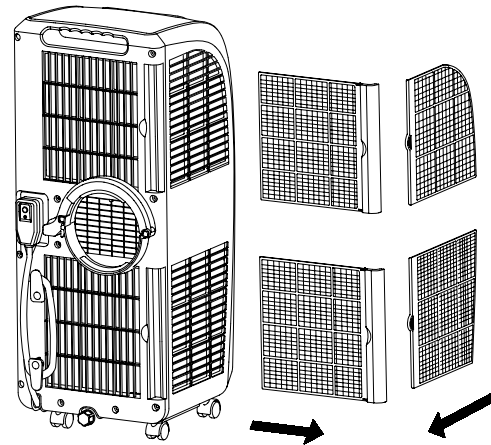
Limpieza

- Desconecte la unidad antes de cualquiera limpieza.
- Limpie la caja con un paño suave humedo. No utilice disolventes químicos (así como el benceno, el alcohol y la gasolina). La superficie puede dañarse o incluso toda la caja puede ser deformado.
- No rocíe agua sobre la unidad.



Filtro de Aire

- Limpie el filtro de aire a las 2 semanas. Si el filtro de aire está tapado por el polvo, la eficiencia se reducirá.
- Abra la tapa del filtro de aire hacia arriba, y luego saque el filtro de aire.
- Lave el filtro de aire por inmergir suavemente en agua caliente (alrededor de 40°C) mixta con un detergente neutro, enjuáguelo y séquelo completamente en un lugar sombreado.



Operación de descongelación

- El deshumidificador tiene un control incorporado de sentido de cogelación construido en las bobinas de evaporador. Durante la descongelación el compresor está apagado mientras mantiene encendido el ventilador para descongelar las bobinas.

CÓMO GUARDAR EL ACONDICIONADOR DE AIRE

Si no va a usar el acondicionador de aire durante un período prolongado:

- 1 Drene el tanque de recolección de agua completamente y deje el pico de drenaje destapado el tiempo suficiente para eliminar el agua residual. Una vez que el tanque se haya drenado por completo y no salga más agua, vuelva a colocar la tapa.
- 2 Quite y limpie el filtro, deje que se seque por completo y vuelva a instalarlo.
- 3 Quite las baterías del control remoto.
- 4 Guarde el acondicionador de aire en un lugar frío y seco, lejos de luz solar directa, temperaturas extremas, y polvillo excesivo.

Antes de volver a usar el acondicionador de aire:

- 1 Verifique que el filtro y la tapa de drenaje estén en su lugar.
- 2 Verifique el cable para asegurar que esté en buenas condiciones, sin grietas o daños.
- 3 Coloque baterías nuevas en el control remoto.
- 4 Instale el acondicionador de aire como se indica en las Instrucciones de instalación.

DETECCIÓN DE PROBLEMAS

ANTES DE LLAMAR AL SERVICIO TÉCNICO

Antes de llamar al servicio técnico, examine esta lista. Puede ahorrarle tiempo y dinero. La lista incluye situaciones comunes que no son el resultado de mano de obra o materiales defectuosos del artefacto.

Problema	Causas posibles	Soluciones
El acondicionador de aire no se enciende	<ul style="list-style-type: none"> • El enchufe del acondicionador de aire no está introducido del todo en el tomacorriente. • El fusible doméstico se ha quemado o el disyuntor ha saltado. • Corte de energía. • El disyuntor integrado de enchufe ha saltado. • Aparece FL en la pantalla. • La temperatura de la habitación es menor a la temperatura programada. 	<ul style="list-style-type: none"> • Verifique que el enchufe eléctrico esté conectado a un tomacorriente con tensión y adecuada conexión a tierra. • Cambie el fusible o vuelva a configurar el disyuntor. Verifique que no haya otros artefactos en el mismo circuito. • Si ocurre un corte de energía, apague el artefacto. Cuando vuelva la energía, espere 3 minutos antes de volver a encender el acondicionador de aire. • Presione el botón RESET (reconfigurar) en el enchufe del acondicionador de aire. Si el botón de reconfiguración no queda trabado, desenchufe el acondicionador de aire y comuníquese con un técnico calificado. • El tanque de recolección de agua está lleno. Drene el tanque y vuelva a configurar. Ver la sección <i>Cuidado y limpieza</i>. • Esto es normal. El acondicionador de aire se apaga automáticamente cuando la temperatura de la habitación es igual o menor a la configurada. Si hace falta, ajuste la configuración de temperatura.
El acondicionador de aire no enfría correctamente	<ul style="list-style-type: none"> • La corriente de aire está disminuida. • El filtro de aire está sucio. • La habitación está muy caliente, o no se ha dejado el tiempo suficiente de enfriamiento. • El aire frío se está escapando. • Las serpentinas de enfriamiento se han congelado. 	<ul style="list-style-type: none"> • Verifique que haya suficiente espacio alrededor del artefacto y que la entrada y salida de aire no estén bloqueadas por muebles, cortinas, etc. • Limpie el filtro de aire por lo menos cada dos semanas. Ver la sección <i>Cuidado y limpieza</i>. • Después de encenderlo, deje el tiempo necesario para que el acondicionador de aire enfríe la habitación. • Verifique que no haya rejillas de piso de calderas o retornos de aire frío, o ventanas o puertas abiertas. • En climas especialmente cálidos y húmedos y cuando el acondicionador de aire funciona con frecuencia o por período prolongados, puede formarse hielo en las serpentinas de enfriamiento, lo que bloquea la corriente de aire. Configure los controles en High Fan (ventilador alto) o High Cool (frío alto), y configure en una temperatura más elevada.
El acondicionador de aire funciona muy a menudo o durante mucho tiempo	<ul style="list-style-type: none"> • El área a enfriar es demasiado grande para el artefacto. • Hay puertas o ventanas abiertas. 	<ul style="list-style-type: none"> • Consulte a su vendedor sobre la capacidad necesaria para enfriar el área deseada. • Asegúrese de que puertas y ventanas estén cerradas.

DETECCIÓN DE PROBLEMAS

ANTES DE LLAMAR AL SERVICIO TÉCNICO

Prblemas	Descripción
<p>Cotigo se muestra en la pantalla</p> <p><i>FL</i></p> <p><i>E1, E2</i></p> <p><i>E4</i></p>	<ul style="list-style-type: none">▪ Protección (Protección de agua llena, para evitar derrame).▪ La protección del sensor, para evitar ocurrir daños a la unidad, protección de auto-parar.▪ Cuando el sensor de la bobina siente la temperatura está por debajo de los 2 °C, la unidad detendrá y mostrará en la pantalla E4 para descongelar, y la velocidad del ventilador será baja.▪ Cuando la temperatura de bobina llega hasta los 8 °C , la unidad volverá a enfriarse.

Precauciones: Apague la unidad y desenchúfelo inmediatamente si ocurre algo anormal. Entonces póngase en contacto con un electricista calificado.
Con los datos arriba mencionados, el mejoramiento de productos sin previo aviso.

LG ELECTRONICS, INC.

ACONDICIONADOR DE AIRE PORTÁTIL –GARANTÍA LIMITADA – EE.UU.



Si su acondicionador de aire portátil LG llegara a tener defectos en los materiales o en la mano de obra bajo un uso normal, durante el período de garantía establecido a continuación, vigente desde la fecha original de compra del producto, LG Electronics reemplazará las piezas defectuosas. Las piezas de reemplazo tendrán las mismas características y funciones de la pieza original. Las piezas de reemplazo tienen garantía durante el tiempo restante del período de garantía original. Esta garantía limitada solamente cubre al comprador original del producto y tiene vigencia sólo cuando se lo utilice dentro de los EE.UU.

<p><u>PERÍODO DE GARANTÍA:</u></p> <p>Mano de obra: 1 años desde la fecha de compra.</p> <p>Piezas: 1 años desde la fecha de compra.</p> <p>Compresor: 5 años desde la fecha de compra.</p>	<p><u>PROCESO DE SERVICIO:</u></p> <p>Llamenos a 1-800-243-0000 y seleccione el mensaje adecuado. Asegure que tiene listo el tipo de producto(Aire Acondicionado Portátil), número de modelo, número de serie y el código postal.</p> <p>El trabajo de garantía cubre el costo del servicio a domicilio de todas las partes incluyendo el compresor.</p>
--	--

Ninguna otra garantía es aplicable a este producto. ESTA GARANTÍA REEMPLAZA CUALQUIER OTRA GARANTÍA, EXPRESA O IMPLÍCITA, INCLUYENDO, SIN LIMITACIÓN, CUALQUIER GARANTÍA DE COMERCIABILIDAD O APTITUD PARA UN OBJETIVO PARTICULAR. EN LA MEDIDA EN QUE CUALQUIER GARANTÍA IMPLÍCITA SEA REQUERIDA POR LA LEY, SE LIMITA EN DURACIÓN AL PERÍODO DE GARANTÍA EXPRESO ANTERIOR. NI EL FABRICANTE NI SU DISTRIBUIDOR EN LOS EE.UU. SERÁN RESPONSABLES DE DAÑOS INCIDENTALES, RESULTANTES, INDIRECTOS, ESPECIALES O PUNITIVOS DE CUALQUIER NATURALEZA, INCLUYENDO, SIN LIMITACIÓN, GANANCIAS O INGRESOS PERDIDOS, O CUALQUIER OTRO DAÑO EXPRESADO MEDIANTE CONTRATO, EXTRA CONTRACTUALMENTE O DE CUALQUIER OTRA FORMA. Algunos estados y/o territorios no permiten la exclusión o limitación de daños o limitaciones incidentales o resultantes sobre el tiempo de duración de una garantía, por lo tanto las limitaciones o exclusiones anteriores pueden no aplicarse en su caso. Este garantía otorga al comprador original derechos legales específicos y usted puede contar con otros derechos, que pueden variar de estado a estado o de territorio a territorio.

ESTA GARANTÍA LIMITADA NO SE APLICA A:

1. Visitas a su domicilio para entregar o retirar piezas, instalar, instruir, reemplazar fusibles domésticos, conexión de cableados o cañerías, o para corregir reparaciones no autorizadas.
2. Fallas del producto durante fallas e interrupciones de energía o servicios eléctricos inadecuados.
3. Daño provocado por transporte o manipulación.
4. Daños al producto provocados por accidentes, alimañas, rayos, viento, incendio, inundaciones, o fuerza mayor.
5. Daños provocados por tuberías de agua rotas o con pérdidas, tuberías congeladas, líneas de drenaje restringidas, o suministro de agua inadecuada o interrumpida.
6. Daños provocados por suministro de aire inadecuado.
7. Daños provocados por utilizar el producto en una atmósfera corrosiva.
8. Reparaciones cuando su producto LG no se utiliza de una manera normal en una vivienda familiar única o cuando se utiliza no respetando las instrucciones descritas en la Guía del Usuario del producto.

9. Daños provocados por accidentes, modificaciones, uso indebido, abuso, o instalación inadecuada, reparación, o mantenimiento. Las reparaciones inadecuadas incluyen el uso de piezas no aprobadas o especificadas por LG.
10. Mantenimiento normal como se describe en la Guía de Usuario, como limpieza o reemplazo de filtros, limpieza de serpentinas, etc.
11. Uso de accesorios o componentes no compatibles con este producto.
12. Productos con números de serie modificados o borrados.
13. Cambios en la apariencia del producto que no afecten el desempeño del producto.
14. Incrementos en los costos de los servicios públicos y gastos adicionales de servicios públicos.

El costo de la reparación o reemplazo bajo estas circunstancias excluidas quedará a cargo del consumidor.

PARA CONTACTAR LG ELECTRONICS POR CORREO:

LG Customer Interactive Center
P. O. Box 240007
201 James Record Road
Huntsville, Alabama 35824
ATTN: CIC

Información sobre registro de producto

Número de modelo: _____

Número de serie: _____

Puede encontrariós en la etiquetad de la parte lateral del acondicionador de aire.

Fecha de compra: _____

Nombre del vendedor: _____





LG ELECTRONICS, INC.
1000 Sylvan Ave., Englewood Cliffs, NJ 07632

LG Customer Information Center

1-800-243-0000

Register your product Online!

www.lgappliances.com