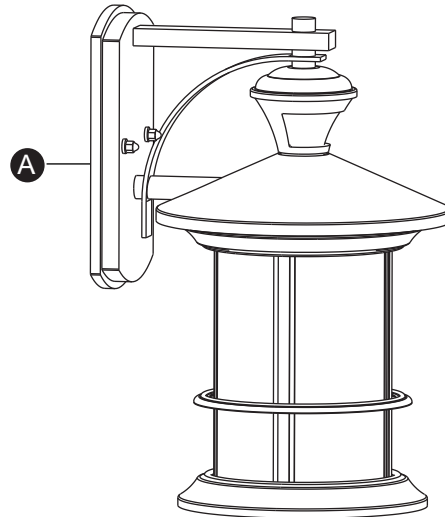




Questions, problems, missing parts?

Before returning to your retailer, call our customer service at 1-800-887-6326
Monday – Friday 9:00 a.m. – 5:00 p.m. CST

PACKAGE CONTENTS



HARDWARE CONTENTS Note: Hardware not shown actual size.



AA
Cross Bar
X1



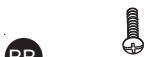
CC
Wire Connector
X3



EE
Ball Nut
X2



GG
Rubber Pad
X2



BB
Mounting Screw
X2



DD
Headless Screw
X2



FF
Lock Nut
X4

SAFETY INFORMATION

Please read and understand this entire manual before attempting to assemble, operate or install the product.

WARNING

- Turn off electricity at main fuse box (or circuit breaker box) before beginning installation by removing fuse (or switching off circuit breaker).
- Be careful not to damage or cut the wire insulation (covering) during fixture installation. Do not permit wires to contact any surface having a sharp edge. To do so may damage or cut the wire insulation, which could cause serious injury or death from electric shock.

CAUTION

- All electrical connections must be in agreement with local codes, ordinances or the national electric code (NEC). Contact your municipal building department to learn about your local codes, permits and/or inspections.
- Risk of fire – most dwellings built before 1985 have supply wire rated for 140°F/60°C. Consult a qualified electrician before installation.
- Do not connect this fixture to an electrical system that does not provide a means for equipment grounding. Never use a fixture in a two-wire system that is not grounded. If you are not sure your lighting system has a grounding means, do not attempt to install this fixture. Contact a qualified, licensed electrician for information with regards to proper grounding methods as required by the local electrical code in your area.

Maximum Wattage: 60W

Work Temperature: - 4°F~104°F

PREPARATION

Before beginning assembly, installation or operation of product, make sure all parts are present. Compare parts with package contents list and diagram on previous page. If any part is missing or damaged, do not attempt to assemble, install or operate the product. Contact customer service for replacement parts.

Tools Required for Assembly (not included): Screwdriver, Phillips Screwdriver, Pliers, Electrical Tape, Wire Cutters, Safety Glasses, Ladder.

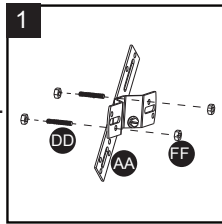
ASSEMBLY INSTRUCTIONS

Important to Know

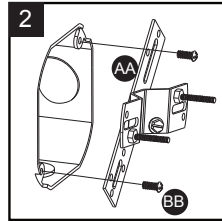
1. This fixture requires a 120 VAC, 60 Hz power source.
2. For general safety and to avoid any possible damage to the sensor, be sure the power is switched "off" before adjustment.
3. Motion sensor: turns light ON automatically when motion is detected and turns light OFF automatically when motion stops.
4. Photocell keeps the light OFF during daylight hours.
5. Compatible with LED dimmable bulb.
6. Use the dim-to-bright illumination option where you want some minimum illumination through out the night, such as at your front entrance or garage door. Use the dark-to-bright illumination option where you do not need minimum brightness, such as the backyard or back porch.

ASSEMBLY INSTRUCTIONS (continued)

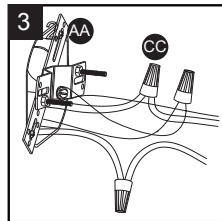
1. Thread two headless screws (DD) through the cross bar (AA), and then secure them with four lock nuts (FF) (two on each side of the cross bar(AA)). Adjust the length of the headless screws (DD) if necessary.



2. Attach cross bar (AA) to outlet box using two mounting screws (BB).

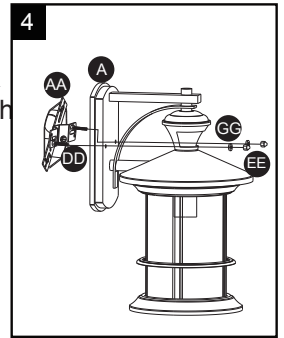


3. Pull out the source wires from the outlet box. Make wire connections using wire connectors as follows:
 - Connect the hot wire (usually black insulation) from the fixture to the black wire from the power source.
 - Connect the neutral wire (usually white insulation) from the fixture to the white wire from the power source.
 - Attach the fixture grounding wire (usually green insulation or bare wire) to the cross bar (AA) with the green grounding screw, and then connect it to the house grounding wire with the wire connector (CC).
 Carefully put all of the wires back into the outlet box.

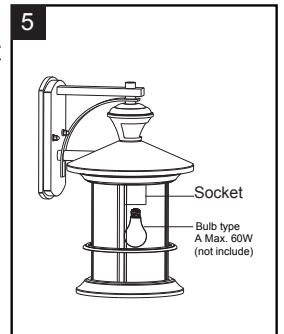


4. Attach the fixture to the cross bar (AA) by inserting headless screws (DD) into holes on back plate (A), and then secure it with two rubber pads (GG) and two ball nuts (EE).

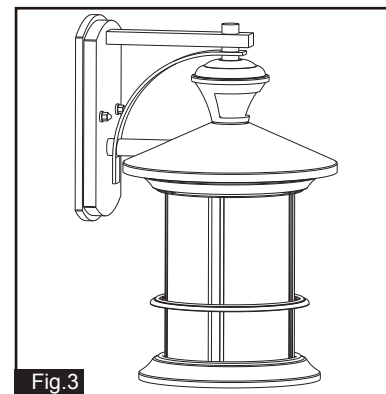
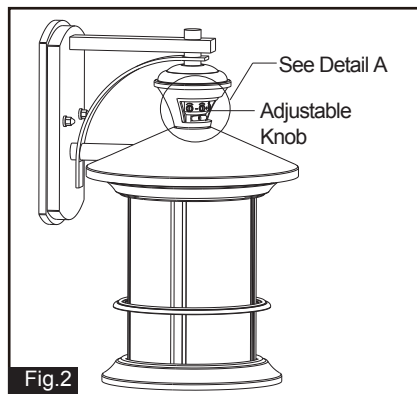
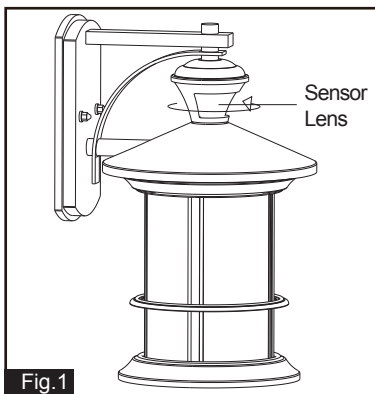
CAUTION:With silicone caulking compound, caulk completely around where the back plate meets with the wall surface to prevent water from seeping into the outlet box.



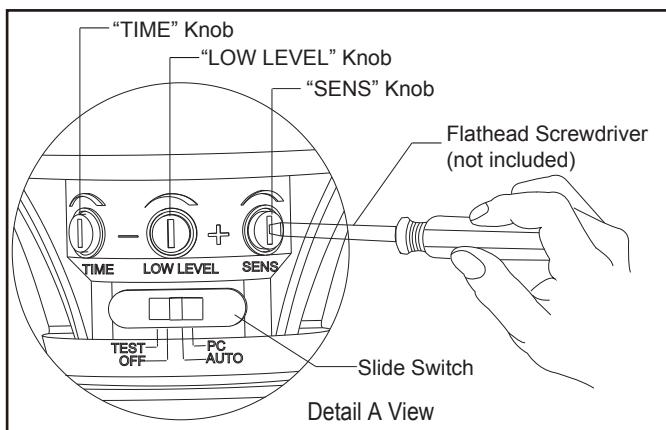
5. Install a bulb (not included). Check relamping label at socket area or packaging for maximum allowed wattage.



The Position of Adjustable Knob



ASSEMBLY INSTRUCTIONS (continued)



Step 1: Rotate the sensor lens counterclockwise to show up the adjustable knobs and slide switch. (See Fig.1)

Step 2: Use the small flathead screwdriver to adjust time, low level brightness and sensitivity. And slide the slide switch to choose desired mode. (See Fig.2 and Detail A view).

Step 3: Rotate the sensor lens clockwise to restore original position. (See Fig.3)

FUNCTION AND OPERATION

Sensitivity of Motion Sensor

The sensitivity of the motion sensor can be adjusted by using the "Sens" knob located on the right side of the panel at the back of sensor lens (See Fig.5). To increase sensitivity, turn the knob clockwise. To decrease sensitivity, turn the knob counterclockwise. The sensitivity may be adjusted from a minimum of 5 feet to a maximum of 40 feet.

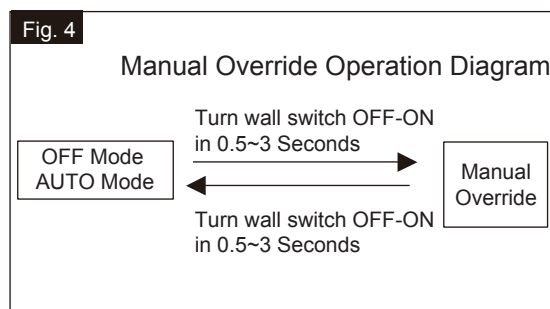
Choose a mode by sliding the switch at the back of sensor lens. When power is first applied, the light will turn on immediately. Wait for 100 seconds to allow the sensor to warm up.

1. TEST MODE (daytime and nighttime operation)
 - The light will turn to low-level brightness (0~50%). The light will turn to high-level brightness (full brightness) when motion is detected, and stay on as long as the motion continues. The light will revert to low-level brightness you set about 5 seconds after motion is no longer detected.
2. OFF MODE (nighttime operation only)
 - At dusk, the light will turn on when motion is detected, and stay on as long as the motion continues. When the motion stops, the light will remain on for the predetermined time set (5 ~ 180 seconds), then the light will turn off automatically.
3. AUTO MODE (nighttime operation only)
 - At dusk, the light will turn to low-level brightness (0~50%). The light will turn to high-level brightness (full brightness) when motion is detected, and stay on as long as the motion continues. When the motion stops, the light will remain on for the predetermined time set (5 ~ 180 seconds), and then revert to low-level brightness you set.
 - The light will turn off automatically at dawn.
4. PC MODE (nighttime operation only)
 - The light will turn to high-level brightness (full brightness) at dusk. It will turn off at dawn.
5. Manual Override MODE (nighttime operation only)
 - To shift to the manual override mode, set the switch to "OFF" or "AUTO" mode. Turn the wall switch "OFF" and then turn it "ON" within 3 seconds. The light will remain on all night long. To shift back to the "OFF" or "AUTO" mode, turn the wall switch "OFF" and then turn it "ON" within 3 seconds again. (See Fig.4)
 - The light will last only for one night and turn off automatically at dawn.

Note: 1. You can adjust the low level brightness (0~50%) by rotating "LOW LEVEL" knob at the back of sensor lens. (See Fig.5)

2. To make sure the above functions operate properly, always keep the wall switch in the "ON" position (including the daytime).

3. Please notice the warm up time is 100 seconds, any operations are invalid during this time.



FUNCTION AND OPERATION (continued)

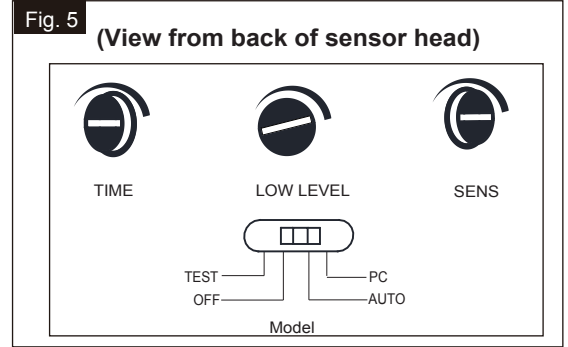
CUSTOMIZATION OPTIONS

Shut-off Delay

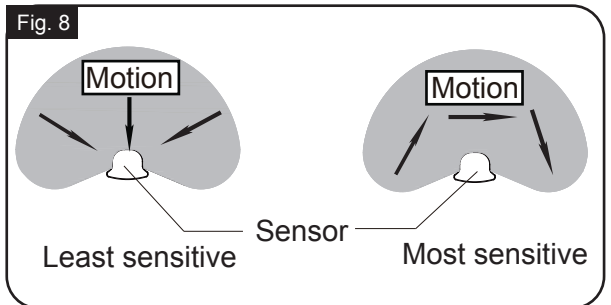
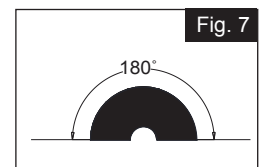
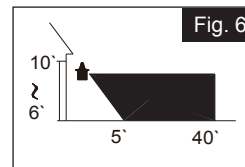
The Shut-off delay is the length of time the light will stay at high-level brightness after motion has ceased to be detected. This Shut-off delay can be set when operation is in "OFF", or "AUTO" mode by using the "TIME" knob located on the left side of the panel at the back of sensor head (See Fig.5) . To increase the shut-off delay, turn the knob clockwise. To decrease shut off delay, turn the knob counterclockwise. The delay may be adjusted from a minimum of 5 seconds to a maximum of 3 minutes. The light will stay on as long as motion is detected continuously and will automatically turn to low-level brightness when no more motion is detected after the delay time has passed.

NOTE:

1. The sensitivity of the motion sensor will increase as the environmental temperature gets cooler. For best performance, gently clean the lens with a soft cloth every 1 or 2 months to assure maximum sensitivity.
2. For best performance, install fixture at least 6 feet above the ground. At such a height, the fixture will provide a detection distance of up to 40 feet at 77 degrees Fahrenheit. (See Fig.6)
3. The sensor detects across a detection range of 180 degrees. (See Fig.7)
4. The sensor will be more sensitive to motion across its detection path than motion directly towards it. (See Fig.8)
5. To reduce possible nuisances, do not mount the fixture near a heat source like an air conditioner, vent or furnace exhaust, or in a direction facing any reflecting object or other light source.

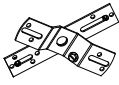









Where you install your lantern is important: Be sure the light is mounted straight on the wall; otherwise, the detection distance may be limited.



The following parts are available for re-order if damaged or missing. Call us toll-free at 1-800-887-6326.

Spare Parts List:

AA		CC		EE		GG	
	Cross Bar X1		Wire Connector X3		Ball Nut X2		Rubber Pad X2
BB		DD		FF			
	Mounting Screw X2		Headless Screw X2		Lock Nut X4		
	↑ Assembly Kit 5562MM (1 SET)				Glass Shade 9819CS		

CARE AND MAINTENANCE

Clean the glass and coated metal surfaces with a non-abrasive cleaner. Do not use any cleaners with chemicals, solvents or harsh abrasives, The motion detecting lens is coated with a specially painted finish and requires special care when cleaning. Use only a soft dry cloth to dust or wipe the lens area.

TROUBLESHOOTING

If the light does not work at all:

1. Make sure the wall switch and circuit breaker are on.
2. Make sure the wiring connection is correct.
3. Cover the sensor with dark color cloth to verify that the ambient light level is not too high.

In TEST Mode, if the light stays on over 5 seconds after motion is no longer detected:

1. Make sure the slide switch is at the TEST position.
2. Cover the sensor with a dark color cloth to verify that motion is not detected.
3. Make sure the light is not mounted near a barbecue, air conditioner or other heat source.

In OFF/AUTO Mode, if the light stays on full brightness after 3 minutes:

1. Make sure there is no motion detected by the sensor.
2. Make sure that it is not in manual override mode.
3. Make sure the light is not mounted near a barbecue, air conditioner or other heat source.

In PC / Manual override Mode, if the light stays on after dawn:

1. Whether the ambient light level is too low.

If the light blinks:

1. Make sure the light is not mounted near a barbecue, air conditioner or other heat source.

In TEST/AUTO Mode, if the light doesn't have low level brightness:

1. Make sure the bulb is dimmable, if you use LED bulb.

If unable to fix any of the above issues, please consult a certified electrician.

FIVE-YEAR LIMITED WARRANTY: If, during normal use, this PATRIOT LIGHTING® lighting fixture breaks or fails due to a defect in material workmanship within five (5) years from the date of original purchase, simply bring this lighting fixture with the original sales receipt back to your nearest MENARDS® retail store. At its discretion, PATRIOT LIGHTING® agrees to have the product or any defective part(s) repaired or replaced with the same or similar PATRIOT LIGHTING® product or part free of charge, within the stated warranty period, when returned by the original purchaser with original sales receipt. This warranty; (1) excludes expendable parts including but not limited to light bulbs; (2) does not cover damage that has resulted from abuse or misuse; and (3) does not cover any losses, labor, injuries to persons/property or costs. This warranty does give you specific legal rights and you may have other rights, which vary from state to state.

Questions, problems, missing parts?

Before returning to your retailer, call our customer service at 1-800-887-6326
Monday – Friday 9:00 a.m. – 5:00 p.m. CST