



Kenmore Elite[®]

Bottom Freezer Refrigerator

Congelador Inferior Refrigerador

Model/Modelo: 795.7431* - PreView Grab-N-Go[™]

Model/Modelo: 795.7430* - Standard Door

* = color number, número de color



MFL69497028_Rev. 00

Sears Brands Management Corporation
Hoffman Estates, IL 60179 U.S.A.
www.kenmore.com



TABLE OF CONTENTS

Warranty	3	► Freezer Section	
Important Safety Instructions	5-7	Extra Ice Bin	32
Electrical & Grounding Requirements	7	Pullout Drawer	33
Parts and Features	8-9	Durabase.....	33
Refrigerator Installation	10-16	Durabase Divider	33
Unpacking Your Refrigerator.....	10	Water Filter	34-36
Installation.....	11	Care And Cleaning	37-38
Removing/Replacing Your Refrigerator and Freezer Handles, Doors and Drawers.....	12-16	General Cleaning Tips	37
Leveling and Door Alignment	17	Exterior	37
Using Your Refrigerator	18-33	Inside Walls	37
Setting the Controls	18-20	Door Liner And Gaskets.....	37
Smart Features	21	Plastic Parts.....	37
Instructions for Smart Grid.....	22	Condenser Coils.....	37
FCC Notice	23	Light Bulb Replacement	38
In-Door Ice Bin	24	Power Interruptions	38
Automatic Icemaker	25-26	When You Go On Vacation.....	38
Food Storage Guide	27	When You Move.....	38
► Refrigerator Section		Connecting the Water Line	39-41
Water Dispenser	28	Troubleshooting Guide	42-49
Refrigerator Shelves.....	29	Diagnostics	50
Humidity Controlled Crisper.....	30	Service	Back Cover
Temperature Controlled Pantry Drawer	30		
Door Bin	30		
PreView Grab-N-Go	31		
Grab-N-Go Case.....	31		
Replacing the Air Filter	32		

WARRANTY



REFRIGERATOR WARRANTY

KENMORE ELITE LIMITED WARRANTY

WITH PROOF OF SALE, the following warranty coverage applies when this appliance is correctly installed, operated and maintained according to all supplied instructions.

One Year on Appliance

FOR ONE YEAR from the date of sale this appliance is warranted against defects in material or workmanship. A defective appliance will receive free repair. If the appliance cannot be repaired it will be replaced free of charge. This warranty coverage applies for only 90 days from the sale date if the appliance is ever used for other than private household purposes.

Five Years on Sealed Refrigerant System

FOR FIVE YEARS from the date of sale, the sealed refrigerant system of this appliance is warranted against defects in material or workmanship.* If a system part is defective within the first year, a new part will be supplied and installed at no charge. If a part is defective after the first year, a new part will be supplied but not installed at no charge. You are responsible for the labor cost of part installation after the first year from the date of sale. This warranty coverage applies for only one year from the sale date if the appliance is ever used for other than private household purposes. *Defects must be verified by a Sears authorized service representative.

Ten Years on Linear Compressor

FOR TEN YEARS from the date of sale, the linear compressor of this appliance is warranted against defects in material or workmanship.* If the compressor is defective within the first year, a new one will be supplied and installed at no charge. If the compressor is defective after the first year, a new one will be supplied but not installed at no charge. You are responsible for the labor cost of part installation after the first year from the date of sale. This warranty coverage applies for only two years from the sale date if the appliance is ever used for other than private household purposes. *Defects must be verified by a Sears authorized service representative.

Lifetime on Storage Bins

FOR AS LONG AS IT IS USED from the date of sale, a free replacement will be supplied for a defective refrigerator or freezer compartment storage bin.* If the defect appears within the first year, a new bin will be installed at no charge. If the defect appears after the first year, a new bin will be supplied but not installed at no charge. This Lifetime warranty covers only storage bins, and does not apply to any other related component or mechanism. You are responsible for the labor cost of bin installation after the first year from the date of sale. This warranty coverage applies for only 90 days from the date of sale if the appliance is ever used for other than private household purposes. *Defects must be verified by a Sears authorized service representative.

For warranty coverage details to obtain free repair or replacement, visit the web page: www.kenmore.com/warranty

This warranty covers ONLY defects in material and workmanship, and will NOT pay for:

1. Expendable items that can wear out from normal use, including but not limited to filters, belts, bags or screw-in base light bulbs.
2. A service technician to clean or maintain this appliance, or to instruct the user in correct appliance installation, operation and maintenance.
3. Service calls to correct appliance installation not performed by Sears authorized service agents, or to repair problems with house fuses, circuit breakers, house wiring, and plumbing or gas supply systems resulting from such installation.
4. Damage to or failure of this appliance resulting from installation not performed by Sears authorized service agents, including installation that was not in accord with electrical, gas or plumbing codes.
5. Damage to or failure of this appliance, including discoloration or surface rust, if it is not correctly operated and maintained according to all supplied instructions.
6. Damage to or failure of this appliance, including discoloration or surface rust, resulting from accident, alteration, abuse, misuse or use for other than its intended purpose.
7. Damage to or failure of this appliance, including discoloration or surface rust, caused by the use of detergents, cleaners, chemicals or utensils other than those recommended in all instructions supplied with the product.
8. Damage to or failure of parts or systems resulting from unauthorized modifications made to this appliance.
9. Service to an appliance if the model and serial plate is missing, altered, or cannot easily be determined to have the appropriate certification logo.

Disclaimer of implied warranties; limitation of remedies

Customer's sole and exclusive remedy under this limited warranty shall be product repair or replacement as provided herein. Implied warranties, including warranties of merchantability or fitness for a particular purpose, are limited to one year on the appliance, five years on the sealed refrigerant system, ten years on the linear compressor, and for as long as used on the storage bins, or the shortest period allowed by law. Seller shall not be liable for incidental or consequential damages. Some states do not allow the exclusion or limitation of incidental or consequential damages, or limitation on the duration of implied warranties of merchantability or fitness, so these exclusions or limitations may not apply to you.

This warranty applies only while this appliance is used in the United States.

This warranty gives you specific legal rights, and you may also have other rights which vary from state to state.

Sears Brands Management Corporation, Hoffman Estates, IL 60179

PRODUCT RECORD

In the space below, record the date of purchase, model and serial number of your product. You will find the model and serial number printed on an identification label located on the interior liner of the refrigerator compartment. Have these items of information available whenever you contact Sears concerning your product.

Model No. _____

Date of Purchase _____

Serial No. _____

Save these instructions and attach your sales receipt for future reference.

IMPORTANT SAFETY INSTRUCTIONS

BASIC SAFETY PRECAUTIONS

This guide contains many important safety messages. Always **read and obey** all safety messages.



This is the safety alert symbol. It alerts you to safety messages that inform you of hazards that can kill or hurt you or others, or cause damage to the product.

All safety messages will be preceded by the safety alert symbol and the hazard signal word DANGER, WARNING or CAUTION. These words mean:

DANGER

You **will** be killed or seriously injured if you do not follow instructions.

WARNING

You **can** be killed or seriously injured if you do not follow instructions.

CAUTION

Indicates an imminently hazardous situation which, if not avoided, **may** result in minor or moderate injury, or product damage.

All safety messages will identify the hazard, tell you how to reduce the chance of injury, and tell you what can happen if the instructions are not followed.

WARNING

To reduce the risk of fire, electric shock, or personal injury when using your product, basic safety precautions should be followed, including the following.

Read all instructions before using this appliance.

- NEVER unplug your refrigerator by pulling on the power cord. Always grip the plug firmly and pull it straight out from the outlet.
- If the supply cord is damaged, it must be replaced by the manufacturer or its service agent or a similarly qualified person in order to avoid a hazard. Do not use a cord that shows cracks or abrasion damage along its length or at either the plug or connector end.
- Do not modify or extend the power cord length. It could cause electric shock or fire.
- When moving your refrigerator away from the wall, be careful not to roll over or damage the power cord.

- DO NOT store or use gasoline or other flammable vapors and liquids in the vicinity of this or any other appliance.
- DO NOT allow children to climb, stand, or hang on the refrigerator doors or shelves in the refrigerator. They could damage the refrigerator and seriously injure themselves.
- Keep fingers out of pinch point areas; clearances between the doors and cabinets are necessarily small. Be careful closing doors when children are in the area.
- Unplug your refrigerator before cleaning or making any repairs.

NOTE: It is strongly recommended that any service be performed by a qualified technician.

SAVE THESE INSTRUCTIONS

⚠ WARNING

- Before replacing a burned-out or broken light bulb, unplug the refrigerator or turn off power at the circuit breaker or fuse box in order to avoid contact with a live wire filament. (A burned-out light bulb may break when being replaced exposing the wire filament.)

NOTE: Some models have LED interior lighting and service should be performed by a qualified technician.

WARNING: Setting either or both controls to the OFF position does not remove power to the light circuit.

- When you are finished, reconnect the refrigerator to the electrical source and reset the controls (Thermostat, Refrigerator Control, and or Freezer Control, depending on the model) to the desired setting.
- This refrigerator must be properly installed in accordance with the **Attention Installer Instructions** that were taped to the front of the refrigerator.
- After your refrigerator is in operation, do not touch the cold surfaces in the freezer compartment when hands are damp or wet. Skin may adhere to the extremely cold surfaces.
- If connected to a circuit protected by fuses, use time delay fuse.

- DO NOT touch the automatic ice making mechanism while the refrigerator is plugged in.
- DO NOT refreeze frozen foods which have thawed completely. The United States Department of Agriculture in Home and Garden Bulletin No. 69 says:

...You may safely refreeze frozen foods that have thawed if they still contain ice crystals or if they are still cold—below 39°F (4°C).

...Thawed ground meats, poultry or fish that have any off-odor or off-color should not be refrozen and should not be eaten. Thawed ice cream should be discarded. If the odor or color of any food is poor or questionable, dispose of it. The food may be dangerous to eat.

Even partial thawing and refreezing reduces the eating quality of foods, particularly fruits, vegetables and prepared foods. The eating quality of red meats is affected less than that of many other foods. Use refrozen foods as soon as possible to save as much of their quality as you can.

- This product is not to be used for special purposes such as the storage of medicine or test materials or for use on ships, etc.
- Do not strike or apply excessive force to any glass surface. Do not touch glass surfaces if they are cracked or broken.

⚠ WARNING : This product contains chemicals known to the State of California to cause cancer and birth defects or other reproductive harm. *Wash hands after handling.*

SAVE THESE INSTRUCTIONS

⚠ DANGER: RISK OF CHILD ENTRAPMENT

Junked or abandoned refrigerators are dangerous, even if they are sitting for only a few days. If you are getting rid of your old refrigerator, please follow the instructions at right to help prevent accidents (child entrapment and suffocation).



BEFORE YOU THROW AWAY YOUR OLD REFRIGERATOR OR FREEZER:

- Take off the doors.
- Leave the shelves in place so that children may not easily climb inside.

CFC/HCFC DISPOSAL

Your old refrigerator may have a cooling system that used CFCs or HCFCs (chlorofluorocarbons or hydrochlorofluorocarbons). CFCs and HCFCs are believed to harm stratospheric ozone if released to the atmosphere. Other refrigerants may also cause harm to the environment if released to the atmosphere.

If you are throwing away your old refrigerator, make sure the refrigerant is removed for proper disposal by a qualified technician. If you intentionally release refrigerant, you may be subject to fines and imprisonment under provisions of environmental legislation.

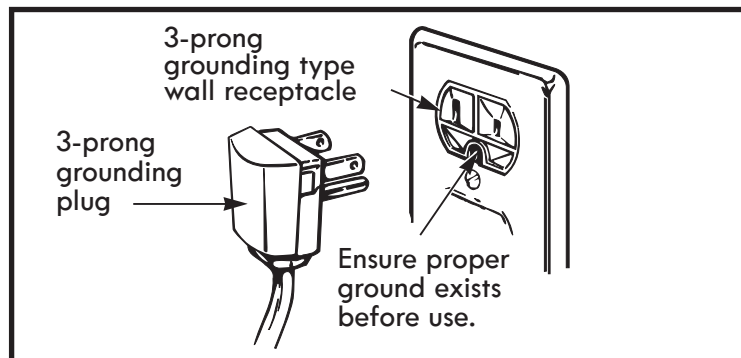
ELECTRICAL & GROUNDING REQUIREMENTS

IMPORTANT: Please read carefully.
TO CONNECT ELECTRICITY

! WARNING

Electrical Shock Hazard

FOR PERSONAL SAFETY, this appliance must be properly grounded. Have the wall outlet and the circuit checked by a qualified electrician to make sure the outlet is properly grounded.



RECOMMENDED GROUNDING METHOD

The refrigerator should always be plugged into its own individual properly grounded electrical outlet rated for 115 Volts, 60 Hz, AC only, and fused at 15 or 20 amperes. This provides the best performance and also prevents overloading house wiring circuits which could cause a fire hazard from overheated wires. It is recommended that a separate circuit serving only this appliance be provided.

Use a receptacle that cannot be turned off with a switch or pull chain. Do not use an extension cord.

Where a standard two-prong wall outlet is encountered, it is your personal responsibility and obligation to have it replaced with a properly grounded three-prong wall outlet.

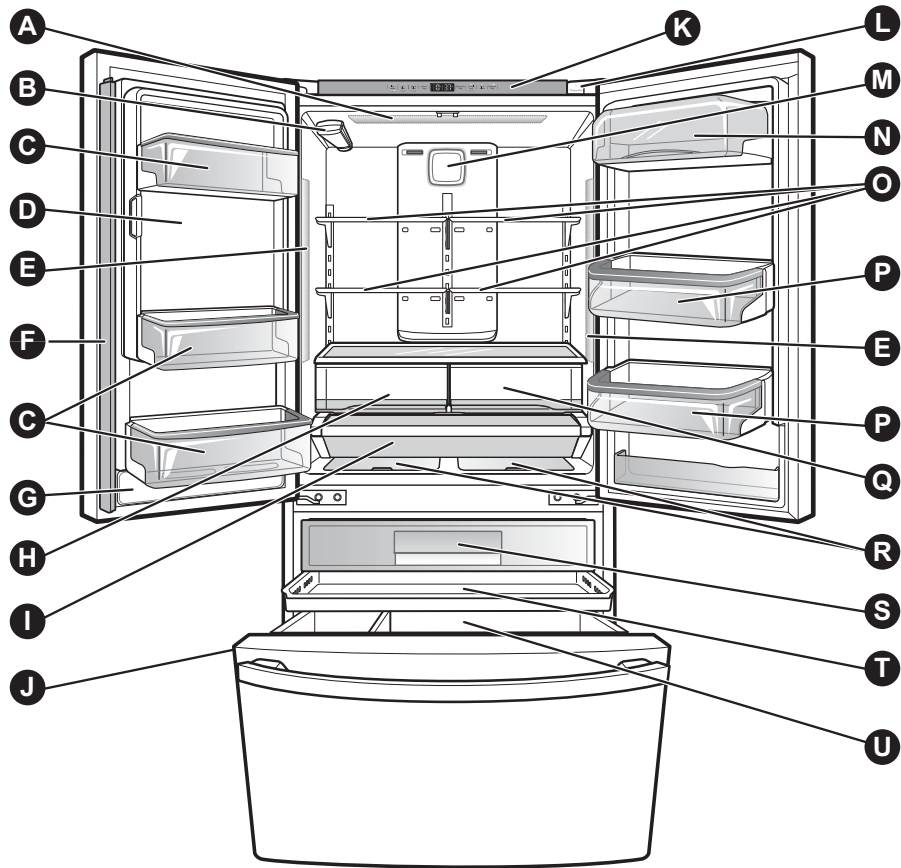
USE OF EXTENSION CORDS

Because of potential safety hazards under certain conditions, the use of an extension cord is not recommended. However, if you still elect to use an extension cord, it is absolutely necessary that it be a UL-listed (USA), 3-wire grounding type appliance extension cord having a grounding type plug and outlet, and that the electrical rating of the cord be 15 amperes (minimum) and 120 volts.

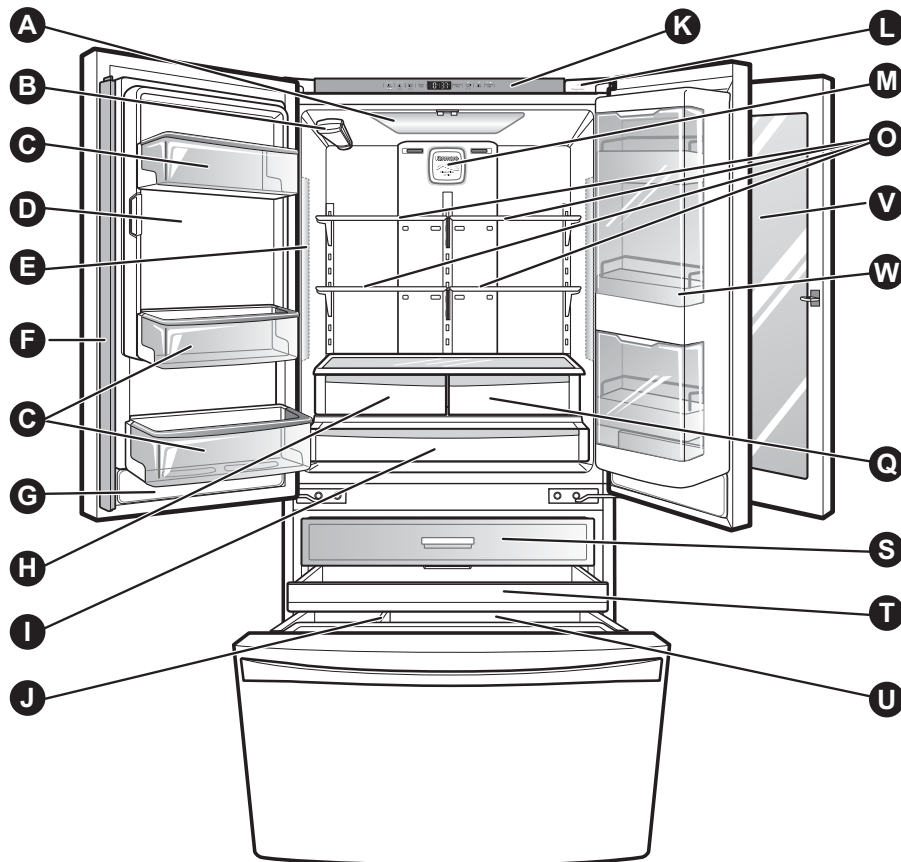
Use of an extension cord will increase the clearance needed for the back of the refrigerator.

PARTS AND FEATURES

- Standard Door



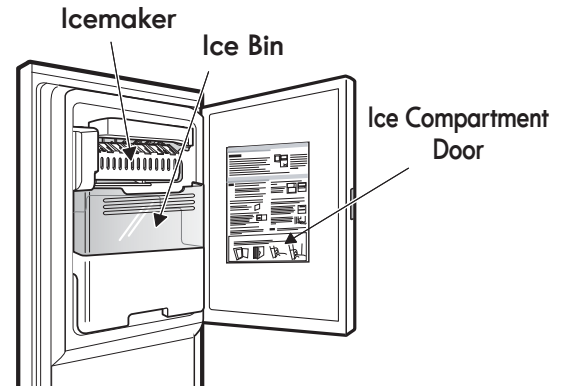
- PreView Grab-N-Go



Use this page to become more familiar with the parts and features of your refrigerator.

NOTE: This guide covers several different models. The refrigerator you have purchased may have some or all of the items listed below. The locations of the features shown below may not match your model.

- | | |
|---|--------------------------------|
| A Refrigerator Light | M Air Filter |
| B Water Filter | N Adjustable Dairy Bin |
| C Fixed Door Bins | O Refrigerator Shelves |
| D Ice Compartment (Icemaker and Ice Bin) | P Adjustable Door Bins |
| E Refrigerator Light (side) | Q Air Tight Crisper |
| F Articulating Mullion | R Convenience Bin |
| G Water Tank Cover | S Top Pullout Drawer |
| H Humidity Controlled Crisper | T Middle Pullout Drawer |
| I Temperature Controlled Pantry Drawer | U Durabase |
| J Durabase Divider | V PreView Grab-N-Go |
| K Control Panel | W Grab-N-Go Case |
| L Diagnostics Speaker | |



REFRIGERATOR INSTALLATION

WARNING

Excessive Weight Hazard:

Use two or more people to move and install the refrigerator. Failure to do so can result in back or other injury.

UNPACKING YOUR REFRIGERATOR

Remove tape and any temporary labels from your refrigerator before using. Do not remove any warning-type labels, the model and serial number label, or the Tech Sheet that is located under the front of the refrigerator.

To remove any remaining tape or glue, rub the area briskly with your thumb. Tape or glue residue can also be easily removed by rubbing a small amount of liquid dish soap over the adhesive with your fingers. Wipe with warm water and dry.

Do not use sharp instruments, rubbing alcohol, flammable fluids, or abrasive cleaners to remove tape or glue. These products can damage the surface of your refrigerator.

Refrigerator shelves are installed in the shipping position. Please reinstall shelves according to your individual storage needs.

WARNING

Excessive Weight Hazard:

Your refrigerator is heavy. When moving the refrigerator for cleaning or service, be sure to protect the floor. Always pull the refrigerator straight out when moving it. Do not wiggle or walk the refrigerator when trying to move it, as floor damage could occur.

WARNING

Explosion Hazard:

Keep flammable materials and vapors, such as gasoline, away from the refrigerator. Failure to do so can result in fire, explosion, or death.

WARNING

Connect to potable water supply only.

PRIOR TO USE

1. Clean your refrigerator thoroughly and wipe off all dust that accumulated during shipping.
2. Install accessories such as ice cube bin, drawers, shelves, etc., in their proper places. They are packed together to prevent possible damage during shipment.
3. Allow your refrigerator to run for at least two to three hours before putting food in it. Check the flow of cold air in the freezer compartment to ensure proper cooling. Your refrigerator is now ready for use.

INSTALLATION

The refrigerator should always be plugged into its own individual properly grounded electrical outlet rated for 115 Volts, 60 Hz, AC only, and fused at 15 or 20 amperes. This provides the best performance and also prevents overloading house wiring circuits which could cause a fire hazard from overheated wires. It is recommended that a separate circuit serving only this appliance be provided.

⚠ WARNING**Shock Hazard:**

To reduce the risk of electric shock, do not install the refrigerator in a wet or damp area.

INSTALLATION (continued)

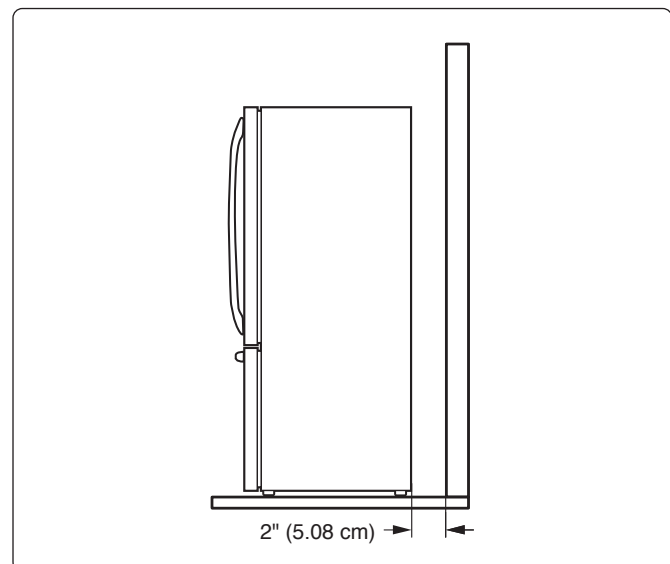
1. To avoid noise and vibration, the unit must be leveled and installed on a solidly constructed floor. If required, adjust the leveling legs to compensate for unevenness of the floor. The front should be slightly higher than the rear to aid in door closing. Leveling legs can be turned easily by tipping the cabinet slightly. Turn the leveling legs to the left to raise the unit or to the right to lower it. (See **LEVELING AND DOOR ALIGNMENT**.)

NOTE: Installing on carpeting, soft tile surfaces, a platform or weakly supported structure is not recommended.

2. Install this appliance in an area where the temperature is between 55°F (13°C) and 110°F (43°C). If the temperature around the appliance is too low or high, cooling ability may be adversely affected.
3. Select a place where a water supply can be easily connected for the automatic icemaker.

NOTE: The water pressure must be from 20-120 psi or 138-827 kPa or 1.4-8.4 kgf/cm². If the refrigerator is installed in an area with low water pressure (below 20 psi), you can install a booster pump to compensate for the low pressure.

4. Too small of a distance from adjacent items may result in lowered freezing capability and increased electricity consumption charges. Allow at least 24 inches (61 cm) in front of the refrigerator to open the doors and at least 2 inches (5.08 cm) between the back of the refrigerator and the wall.



REFRIGERATOR INSTALLATION

NOTE: Removing the doors is always recommended when it is necessary to move the refrigerator through a narrow opening. If it is necessary to remove the handles, follow the directions below.

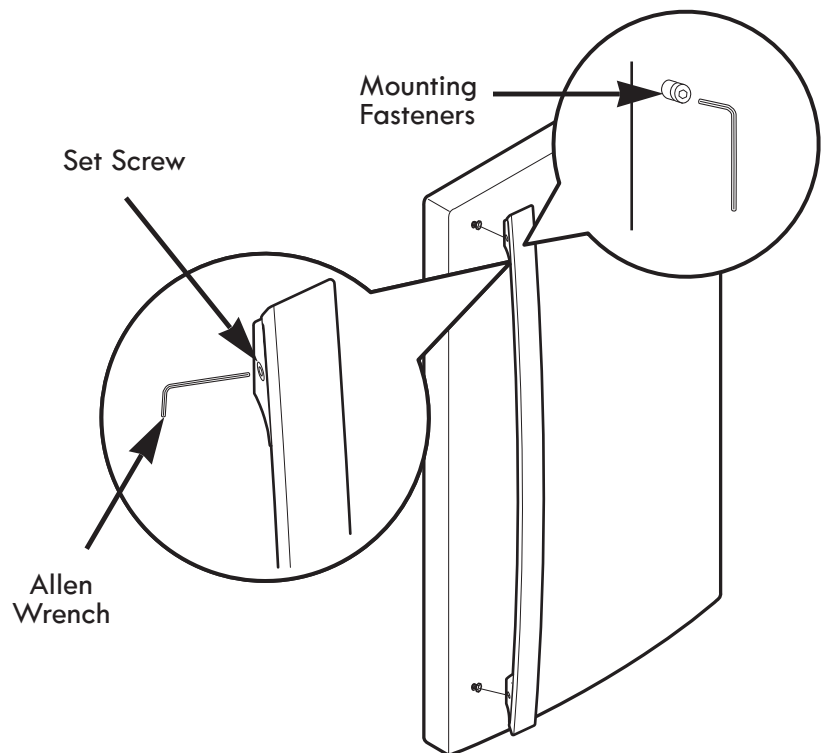
HOW TO REMOVE REFRIGERATOR DOOR HANDLE

NOTE: Handle appearance may vary from the illustrations on this page.

Removing Refrigerator Handle

Loosen the set screws with a $\frac{3}{32}$ in. Allen wrench and remove the handle.

NOTE: If the handle mounting fasteners need to be tightened or removed, use a $\frac{1}{4}$ in. Allen wrench.



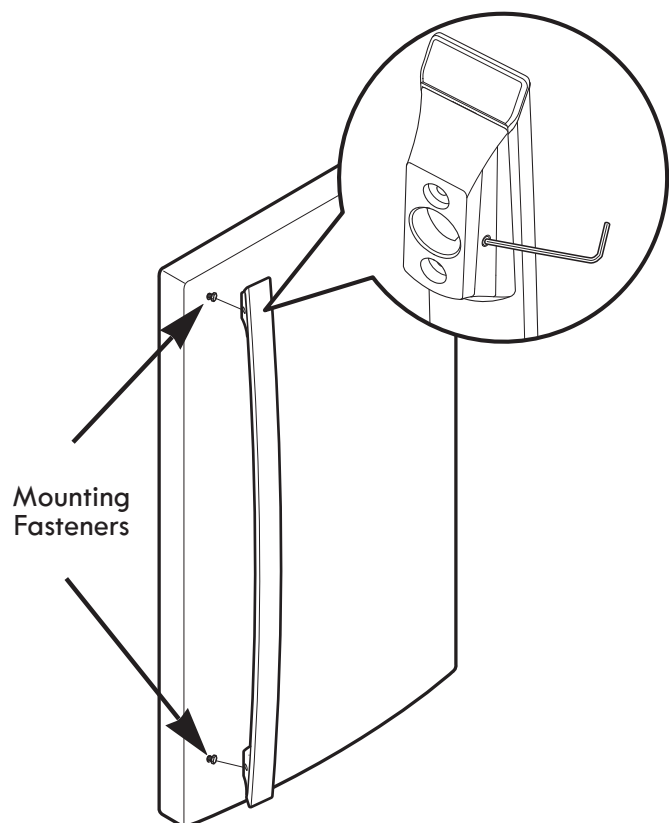
HOW TO REPLACE REFRIGERATOR DOOR HANDLE

NOTE: Handle appearance may vary from the illustrations on this page.

Replacing Refrigerator Door Handle

Place the handle on the door by fitting the handle footprints over the mounting fasteners and tightening the set screws with a $\frac{3}{32}$ in Allen wrench.

NOTE: If the handle mounting fasteners need to be tightened or removed, use a $\frac{1}{4}$ in. Allen wrench.



NOTE: Removing the doors is always recommended when it is necessary to move the refrigerator through a narrow opening. If it is necessary to remove the handles, follow the directions below.

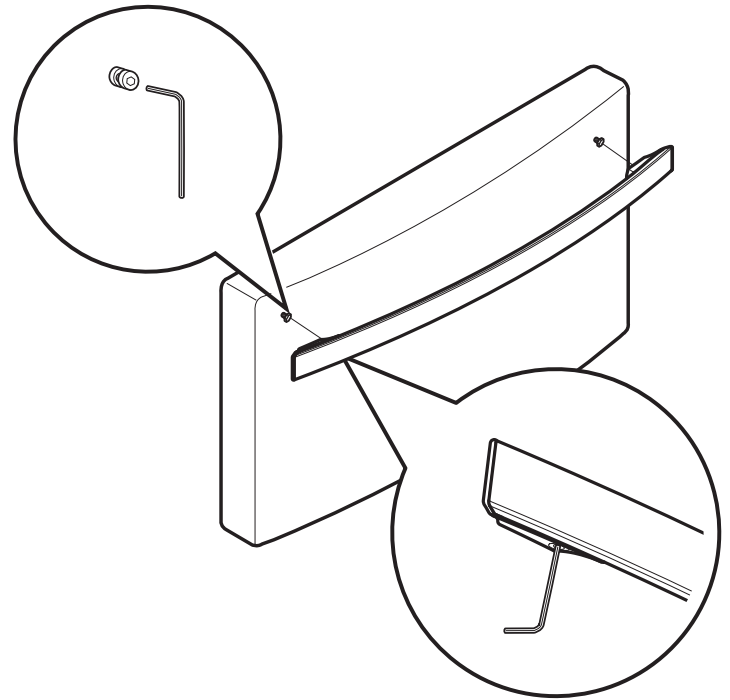
HOW TO REMOVE FREEZER DOOR HANDLE

NOTE: Handle appearance may vary from the illustrations on this page.

Removing Freezer Drawer Handle

Loosen the set screws located on the lower side of the handle with a $\frac{1}{8}$ in. Allen wrench and remove the handle.

NOTE: If the handle mounting fasteners need to be tightened or removed, use a $\frac{1}{4}$ in. Allen wrench.



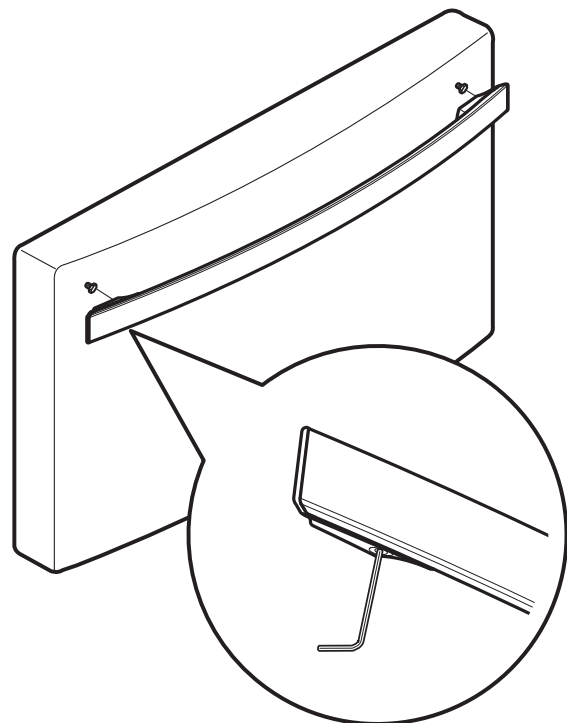
HOW TO REPLACE FREEZER DOOR HANDLE

NOTE: Handle appearance may vary from the illustrations on this page.

Replacing Freezer Drawer Handle

Place the handle on the door by fitting the handle footprints over the mounting fasteners and tightening the set screws with a $\frac{1}{8}$ in. Allen wrench.

NOTE: If the handle mounting fasteners need to be tightened or removed, use a $\frac{1}{4}$ in. Allen wrench.



⚠ WARNING

When assembling or disassembling the handles:

- Grasp the handle firmly to ensure it will not drop or cause injury.
- Prevent the handle from swinging toward nearby people or animals.
- Insert the bracket hole of the handle into the stopper bolt of the door exactly, then assemble the set screws to fix the handle in place.
- Check for any gap between the door and handle after the handle is fixed in place.

REMOVING AND REPLACING REFRIGERATOR DOORS

! WARNING

Excessive Weight Hazard:

Use two or more people to remove and install the refrigerator doors. Failure to do so can result in back or other injury.

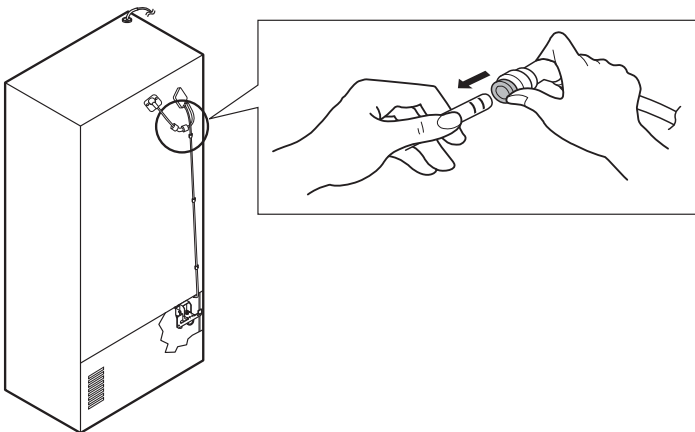
! WARNING

Electrical Shock Hazard

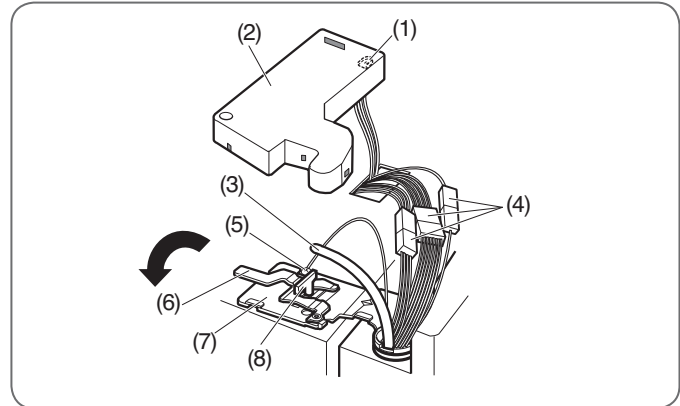
- Disconnect the electrical supply to the refrigerator before installing. Failure to do so could result in serious injury or death.
- Do not put hands, feet or other objects into the air vents or bottom of the refrigerator. You may be injured or receive an electrical shock.

To remove the left refrigerator door:

On the back of the refrigerator, pull the water tube out of the collet fitting on the connector by pressing the fitting release ring (see picture below).



! CAUTION: Before you begin, remove food and bins from the doors.

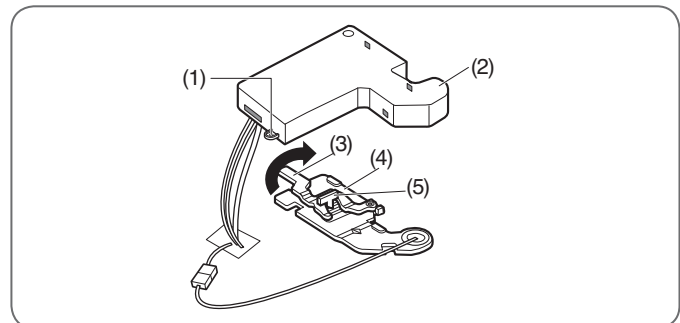


1. Open the door. Remove the top hinge cover screw (1). Lift up the cover (2).
2. Remove the cover.
3. Pull out the tube (3).
4. Disconnect all wire harnesses (4).
5. Remove the grounding screw (5).
6. Rotate hinge lever (6) counterclockwise. Lift the top hinge (7) free of the hinge lever latch (8).

! CAUTION: When lifting the hinge free of the latch, be careful that the door does not fall forward.

7. Lift the door from the middle hinge pin and remove the door.
8. Place the door, inside facing up, on a non-scratching surface.

To remove the right refrigerator door:



1. Open the door. Remove the top hinge cover screw (1). Lift up the cover (2).
2. Remove the cover. On the PreView model, disconnect all wire harnesses.
3. Rotate the hinge lever (3) clockwise. Lift the top hinge (4) free of the hinge lever latch (5).

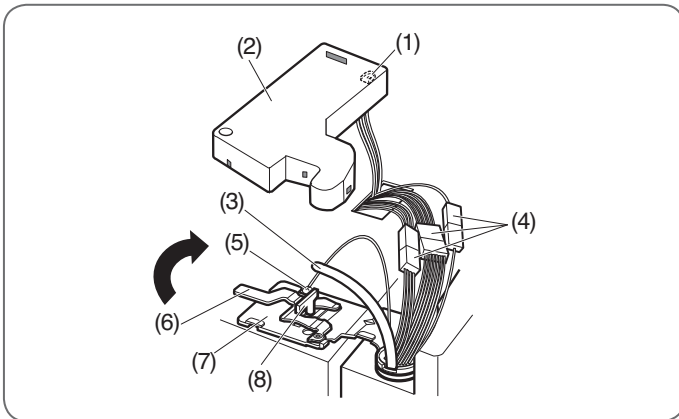
! CAUTION: When lifting the hinge free of the latch, be careful that the door does not fall forward.

4. Lift the door from the middle hinge pin and remove the door.
5. Place the door, inside facing up, on a non-scratching surface.

Reinstalling the Refrigerator Door

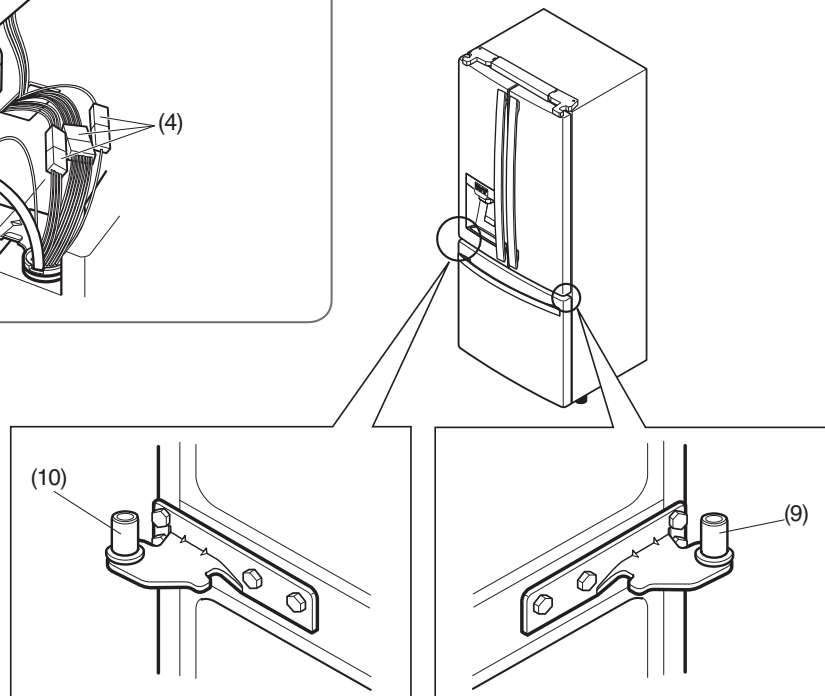
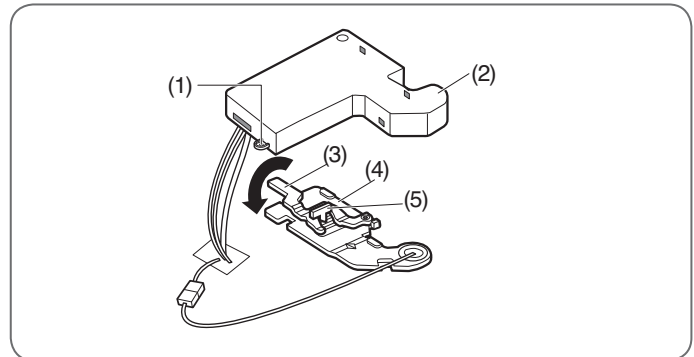
► Left Door

1. Lower the door onto the middle hinge pin (10).
2. Fit the top hinge (7) over the hinge lever latch (8) and into place. Rotate the lever (6) clockwise to secure the hinge.
3. Install the grounding screw (5) and connect the two wire harnesses (4).
4. Push the water tube (3) located at the top of the left door into the hole beside the left hinge on the top of the cabinet until it exits through the back.
5. Insert the water supply tube (3) into the connector until you see only one scale mark. Fully insert the tube over $\frac{5}{8}$ in. (15 mm).
6. Hook the tabs on the left side of the hinge cover (1) under the edge of the top hinge (7) and position the cover in place. Insert and tighten the cover screw (1).

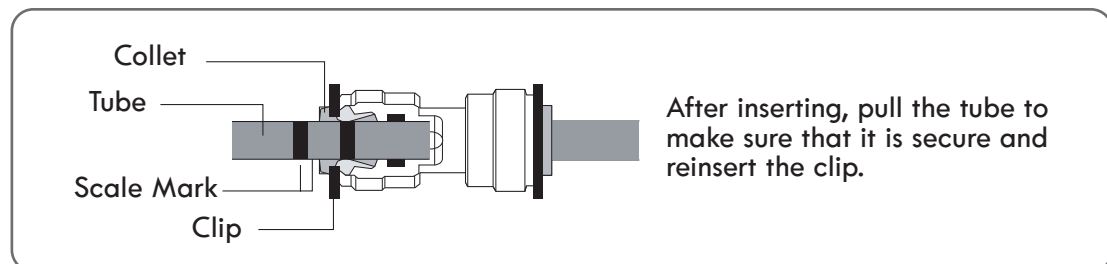


► Right Door

1. Lower the door onto the middle hinge pin (9).
2. Fit the top hinge (4) over the hinge lever latch (5) and into place. Rotate the lever (3) counterclockwise to secure the hinge.
3. Hook the tabs on the right side of hinge cover (2) under the edge of the top hinge (4) and position the cover in place. Insert and tighten the cover screw (1).



! CAUTION



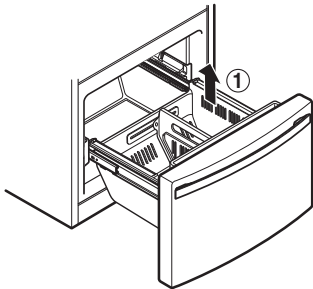
HOW TO REMOVE THE FREEZER DRAWER

⚠ WARNING: Use two or more people to remove and install the freezer drawer. Failure to do so can result in back or other injury.

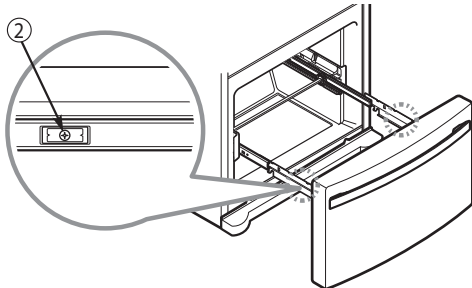
⚠ CAUTION: Do not hold the handle when removing or replacing the drawer. The handle may come off and it could cause personal injury.

NOTE: In the following figures, the Pullout Drawer located above the freezer drawer is not shown for clarity.

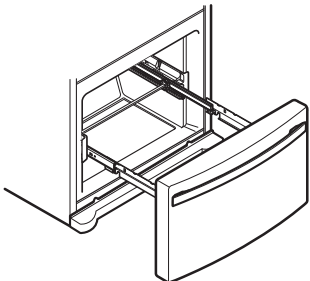
Pull the drawer open to full extension. Remove the lower basket ① by lifting the basket from the rail system.



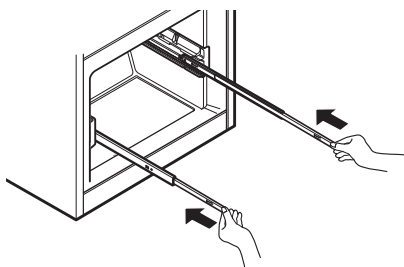
Remove the screws ② from the rail on both sides.



Grasp the drawer on each side and pull it up to separate it from the rails.

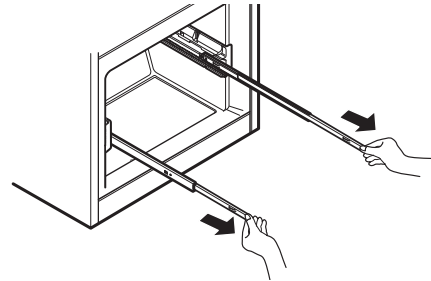


With both hands, slide each bar in simultaneously.

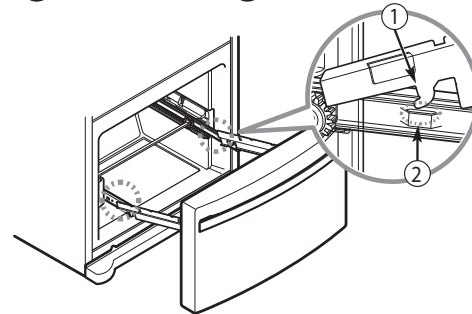


HOW TO INSTALL THE FREEZER DRAWER

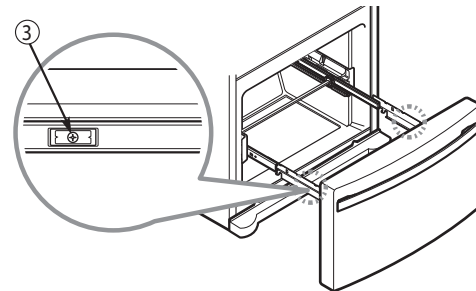
Pull out each rail to full extension.



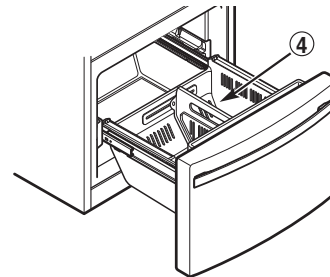
Grasp the drawer on each side and hook drawer supports ① into rail tabs ② located on both sides.



Lower the door into its final position and tighten the screws ③ located on both sides.



With the drawer pulled out to full extension, insert the lower basket ④ in the rail assembly.



⚠ WARNING: If the Durabase divider is removed, there is enough open space for children or pets to crawl inside. To prevent accidental child and pet entrapment or suffocation risk, DO NOT allow them to touch or go near the freezer drawer.

⚠ WARNING: DO NOT step or sit down on the freezer drawer.

LEVELING AND DOOR ALIGNMENT

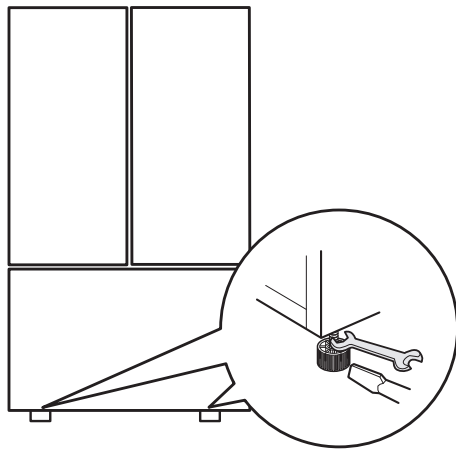
Leveling

After installing, plug the refrigerator's power cord into a 3-prong grounded outlet and push the refrigerator into the final position.

Your refrigerator has two front leveling legs—one on the right and one on the left. Adjust the legs to alter the tilt from front-to-back or side-to-side. If your refrigerator seems unsteady, or you want the doors to close more easily, adjust the refrigerator's tilt using the instructions below:

NOTE: Tools Required: $1\frac{1}{16}$ " wrench or flat blade screwdriver.

1. Turn the leveling leg to the left to raise that side of the refrigerator or to the right to lower it. It may take several turns of the leveling leg to adjust the tilt of the refrigerator.



NOTE: Having someone push backward against the top of the refrigerator takes some weight off of the leveling legs. This makes it easier to adjust the legs.

2. Open both doors again and check to make sure that they close easily. If the doors do not close easily, tilt the refrigerator slightly more to the rear by turning both leveling legs to the left. It may take several more turns, and you should turn both leveling legs the same amount.

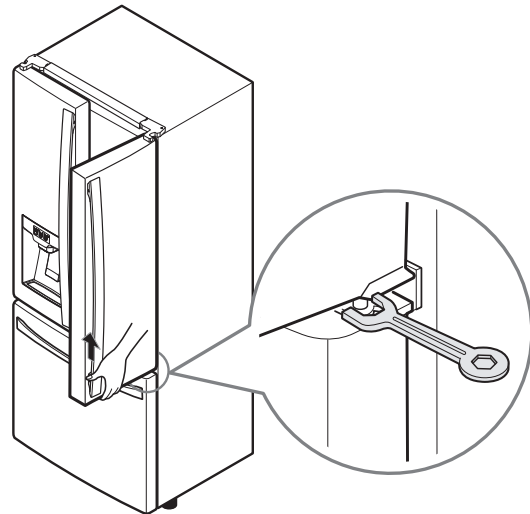
NOTE: Your refrigerator is uniquely designed with two fresh food doors. Either door can be opened or closed independently of the other. You may have to exert slight pressure on the doors to get them to close completely.

Door Alignment

Both the left and right refrigerator doors have an adjustable nut, located on the bottom hinge, to raise and lower them to align properly.

If the space between your doors is uneven, follow the instructions below to align the doors evenly:

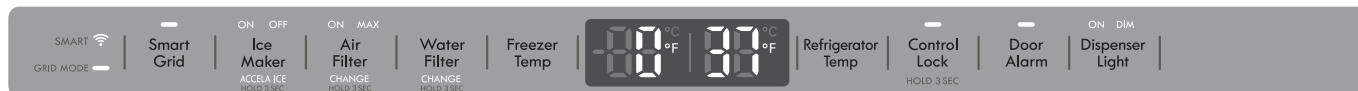
Use the wrench (included with the Use & Care Guide) to turn the nut in the door hinge to adjust the height. To the right to raise or to the left to lower the height.



USING YOUR REFRIGERATOR

SETTING THE CONTROLS

Temperature

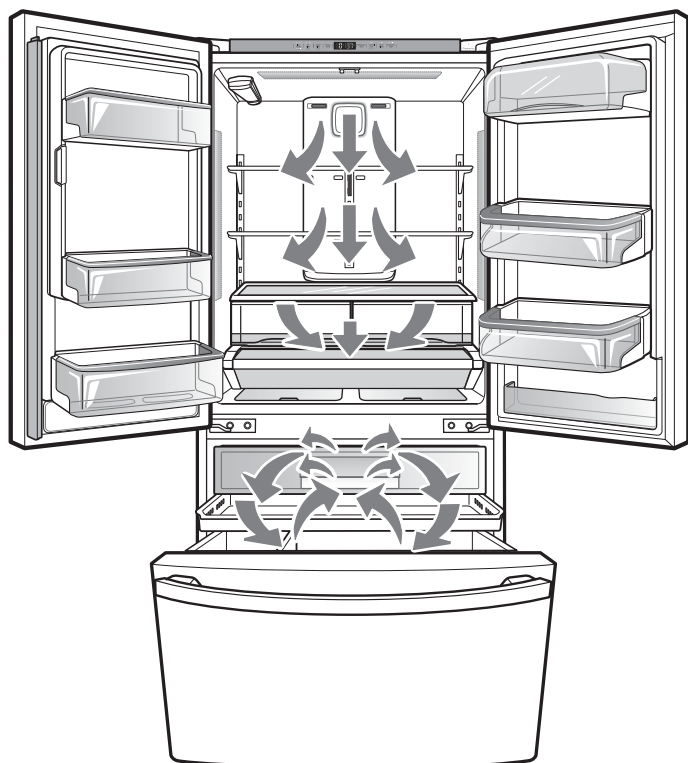


- **The Refrigerator Temp Control ranges from 33°F to 46°F (1°C to 8°C).** Press the Refrigerator Temp button to cycle through the available temperature settings one increment at a time.
- **The Freezer Temp Control range is from -6°F to 8°F (-21°C to -13°C).** Press the Freezer Temp button to cycle through the available temperature settings one increment at a time.

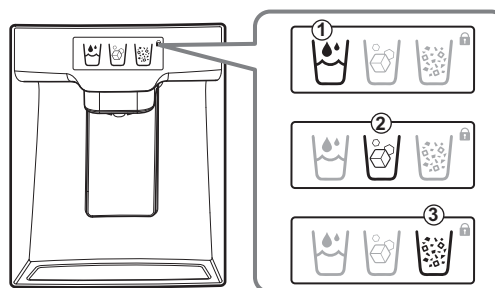
NOTE: When changing control settings, wait 24 hours before making additional adjustments. The controls are set correctly when milk or juice is as cold as you would like and when ice cream is firm. If the temperature in either compartment is too cold or too warm, change the setting one increment at a time. Wait 24 hours for the change to stabilize before adjusting again.

Airflow

Be sure not to block vents while packing your refrigerator. Doing so will restrict airflow and may cause the refrigerator temperature to become too warm or cause interior moisture buildup. (See air flow diagram below.)



Dispenser



The dispenser will dispense water, cubed ice or crushed ice. Press the appropriate icon of your choice: (1) water (2) cubed ice (3) crushed ice. When pressed the icon will illuminate.

NOTE: The dispenser will not work if any door is left open or if the control lock is engaged.

NOTE: If the Control Lock icon is illuminated, the Dispenser will not work. Disable the Control Lock to use the Dispenser again.

CAUTION: The control display is operated by touch. Excessive moisture on the display may cause a malfunction. Please keep the display clean and dry.

Air Filter



The Air Filter helps remove odors from the refrigerator. The Air Filter has two settings, Auto and MAX. In Auto mode, the Air Filter will cycle on and off in increments of ten minutes on and one hundred and ten minutes off. If set to the MAX mode, the Air Filter will stay on continuously for four hours, cycling on and off in increments of ten minutes on and five minutes off. After four hours, the Air Filter will switch to Auto mode.

- Auto mode is the default mode.
- Press the Air Filter button once for MAX mode.

Air Filter Reset



When the CHANGE icon turns on, the air filter needs to be replaced. After replacing the air filter, press and hold the Air Filter button for three seconds to turn the icon light off. It is recommended to change the air filter approximately every 6 months.

Ice Maker ON/OFF



- To switch the icemaker ON or OFF, press the Ice Maker button.

Accela Ice



- When you press and hold the Ice Maker button for three seconds, the graphic will illuminate in the display and will continue for 24 hours. The function will automatically shut off after 24 hours.

NOTE: While you are selecting the Accela Ice function, the Ice Maker icon will briefly switch to OFF, then return to ON. This is normal.

- You can stop this function manually by pressing and holding the button one more time.
- This function increases both ice making and freezing capabilities.

Water Filter Reset



When the CHANGE icon turns on, you need to change the water filter. After changing the water filter, press and hold the Water Filter button for three seconds to turn the indicator light off. You need to change the water filter approximately every six months.

Dispenser Light



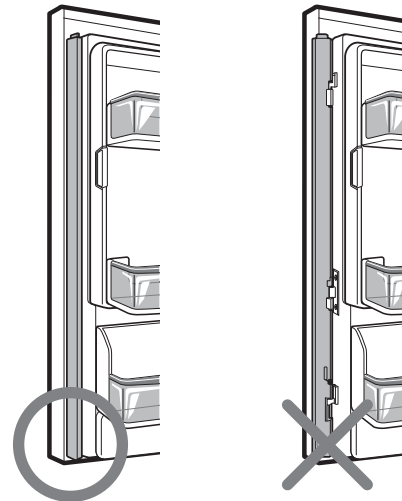
This light has three settings: On, Off and Dim. Select the Dim option at night. The light will automatically turn on at full brightness when the dispenser pad is pushed.

Articulating Mullion

This feature is a metal strip attached to the left door that articulates (rotates) 90 degrees as the door is closed, forming a mullion (base) for the left and right door gaskets to seal against.

CAUTION

To reduce the risk of scratching the door or breaking the door mullion, make sure that the refrigerator door mullion is always folded in.



USING YOUR REFRIGERATOR

Door Alarm

Door Alarm

- When power is connected to the refrigerator, the door alarm is initially set to ON. When you press the **Door Alarm** button, the display will change to OFF and the **Door Alarm** function will deactivate.
- When either the refrigerator or the freezer door is left open for more than 60 seconds, the alarm tone will sound to let you know that the door is open.
- When you close the door, the door alarm will stop.

Control Lock

Control Lock
HOLD 3 SEC

- When power is initially connected to the refrigerator, the **Lock** function is off.
- If you want to activate the **Lock** function to lock other buttons, press and hold the **Control Lock** button for three seconds or more. The **Control Lock** button will illuminate and the **Lock** function is now enabled.
- When the **Lock** function is activated, no other buttons will work. The dispenser pad is also deactivated.
- To disable the **Lock** function, press and hold the **Control Lock** button for approximately three seconds.

Temperature Mode Switch Function (°F <->°C)

If you want to convert °F to °C or vice versa, press and hold the **Freezer Temp** and **Refrigerator Temp** buttons at the same time for approximately five seconds.

Demo Mode (For Store Use Only)

The **Demo Mode** disables all cooling in the refrigerator and freezer sections to conserve energy while on display in a retail store. When activated, OFF will display on the control panel.



To deactivate:

With either refrigerator door opened, press and hold the **Refrigerator Temp** and **Ice Maker** buttons at the same time for five seconds. The control panel will beep and the temperature settings will display to confirm that **Demo Mode** is deactivated. Use the same procedure to activate the **Demo Mode**.

SMART FEATURES

OVERVIEW

Kenmore Smart connectivity transforms your relationship with your home. You can personalize the way Kenmore Smart products operate based on your schedule and daily routines, making life easier and providing greater peace of mind. It does this by letting you link with and manage your Kenmore Smart products on one app, all from trusted brands, from a smart phone, tablet or computer.

This appliance is a connected-ready appliance, allowing you to remotely monitor and control it from your smart phone via the Kenmore® Smart app.

To get started, you will need the following:

- Kenmore Elite® Smart Appliance
- WI-FI home router connected to the internet
- Smart phone
- Kenmore Smart app

For more information about your Kenmore Elite® Smart appliance, please visit www.Kenmore.com/smart. The Smart Grid function controls energy usage which helps you save energy during peak usage periods. You can override the SMART GRID function at any time (using the Smart Grid button or application).

Smart Grid responds to notification events from your utility company to run high energy-consuming tasks only during off-peak times when electrical demand is lower. These notification events are known as Demand Response (DR) signals. If the refrigerator receives a DR signal from the utility company, the refrigerator will turn on the GRID MODE LED on the refrigerator control panel and regulate power consumption according to the signal received. The refrigerator will respond to the signals received from the utility company as long as the appliance is connected to the internet and Smart Grid is enabled.

DEFINITIONS

SMART LED (white):



Notifies the user that the appliance is connected to the internet.

Smart Grid LED (white):



Notifies the user that the appliance is capable of receiving a signal, known as a Demand Response event, from a utility company's energy management system.

GRID MODE LED (red):



Notifies the user that the appliance is reducing or delaying energy use based on the signal received from a utility company energy management system. The LED will remain illuminated during critical peak pricing (CPP) and real time pricing (RTP) or during a high demand for electricity.

GETTING CONNECTED

You need the following devices and application to use the Smart Grid and other smart features on your refrigerator.

Required Devices: A wireless router, Kenmore Elite Smart Refrigerator, and a mobile device.

Required Application: Kenmore Smart App.

CONNECTING THE REFRIGERATOR

Refer to the Quick Start Guide that came with your smart appliance for detailed instructions on creating a Kenmore account and setting up the appliance for connected operation from your mobile device. For additional assistance, visit <http://www.kenmore.com/smart>

NOTE: When successfully connected to the internet, the SMART icon LED on the unit control panel will turn ON.

INSTRUCTIONS FOR SMART GRID

IMPORTANT:

You must connect your Kenmore Smart appliance to the internet and then register the appliance to your account in order to use the Smart Grid function.

Consult the Quick Start Guide supplied with the appliance for instructions on how to register your appliance using the Kenmore Smart application (app).

The Smart Grid button serves two purposes:

1) internet connection or disconnection, 2) enable or disable/override the appliance Demand Response capability.

NOTE: This appliance is a connected-ready appliance, allowing you to remotely monitor and control it from your smart phone via the Kenmore® Smart app.

To connect the refrigerator to the Internet:

Refer to the Quick Start Guide that came with your smart appliance for detailed instructions on creating a Kenmore account and setting up your appliance for connected operation from your smart phone. This Use & Care Guide contains information and instructions for operating your appliance from the appliance control panel. For additional assistance, visit <http://www.kenmore.com/smart>

NOTE: If no connection is made after five minutes the blinking SMART GRID button LED will turn off.

Smart Grid Operation:

Once connected and registered, the appliance is capable of accepting a signal from your electric company. The signal, known as a Demand Response (DR), will adjust refrigerator operation to reduce power consumption for a period of time ranging from a few minutes up to a maximum of 4 hours. Ice making will be delayed during this time. Opening the refrigerator door may cancel certain DR signals.

The Grid Mode LED (red) will be steadily lit when the signal is in effect. To disable the signal and prevent further signal acceptance, press and release the Smart Grid button. Both the Grid Mode and Smart Grid LED will turn off. Press and release the Smart Grid button again to enable DR signal acceptance capability. The Smart Grid button LED will relight. The Grid Mode LED will light when another DR signal is sent.

FCC Notice

(For transmitter module contained in this product)

This equipment has been tested and found to comply with the limits for a Class B digital device, pursuant to Part 15 of the FCC Rules. These limits are designed to provide reasonable protection against harmful interference in a residential installation. This equipment generates, uses, and can radiate radio frequency energy and, if not installed and used in accordance with the instructions, may cause harmful interference to radio communications. However, there is no guarantee that interference will not occur in a particular installation. If this equipment does cause harmful interference to radio or television reception, which can be determined by turning the equipment off and on, the user is encouraged to try to correct the interference by one or more of the following measures:

- Reorient or relocate the receiving antenna.
- Increase the separation between the equipment and the receiver.
- Connect the equipment to an outlet on a circuit different from that to which the receiver is connected.
- Consult the dealer or an experienced radio/TV technician for help.

This device complies with part 15 of the FCC Rules.

Operation is subject to the following two conditions:

- 1) this device may not cause harmful interference and
- 2) this device must accept any interference received, including interference that may cause undesired operation of the device.

Any changes or modifications in construction of this device which are not expressly approved by the party responsible for compliance could void the user's authority to operate the equipment.

Open Source Software Notice

To obtain the source code that is contained in this product under LGPL and other open source licenses, visit <http://kenmore.com/opensource>. In addition to the source code, all referred license terms, warranty disclaimers, and copyright notices are available for download.

FCC RF Radiation Exposure Statement

This equipment complies with FCC radiation exposure limits set forth for an uncontrolled environment. This transmitter must not be co-located or operating in conjunction with any other antenna or transmitter. This equipment should be installed and operated with a minimum distance of 20 cm (7.8 inches) between the antenna and your body. Users must follow the specific operating instructions for satisfying RF exposure compliance.

Wireless LAN Module Specifications	
Model	2AHU4-KMTD17
Frequency Range	2412 to 2462 MHz
Output Power (Max)	IEEE 802.11b: 18.26 dBm IEEE 802.11g: 20.10 dBm IEEE 802.11n: 20.07 dBm

USING YOUR REFRIGERATOR

IN-DOOR ICE BIN

⚠ CAUTION

Keep hands and tools out of the ice compartment door and dispenser chute. Failure to do so may result in damage or personal injury.

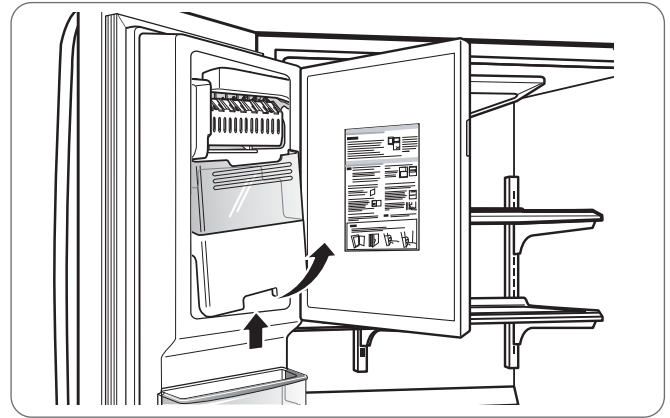
The icemaker will stop producing ice when the in-door ice bin is full. If you need more ice, empty the ice bin into the extra ice bin in the freezer compartment. During use, the ice can become uneven causing the icemaker to misread the amount of ice cubes and stop producing ice. Shaking the ice bin to level the ice within it can reduce this problem.

NOTE: Storing cans or other items in the ice bin will damage the icemaker.

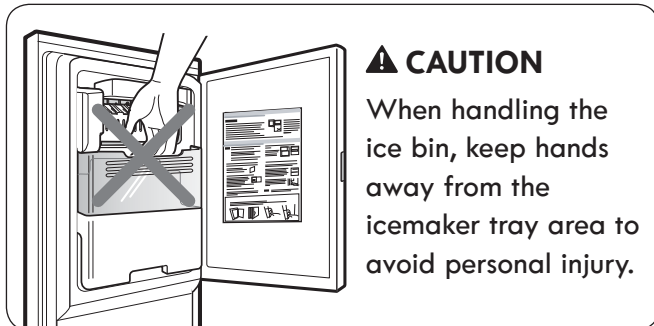
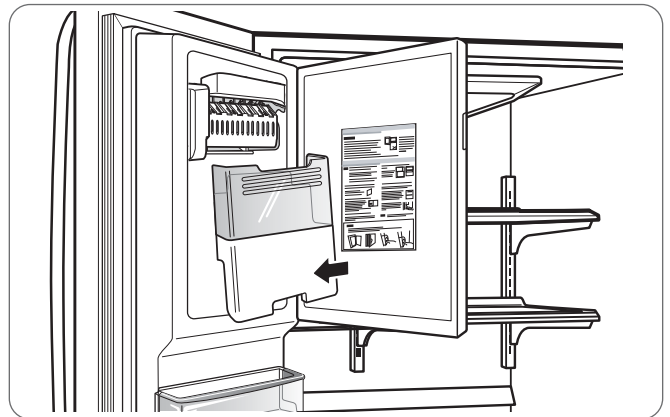
Keep the ice compartment door closed tightly. If the ice compartment door is not closed tightly, the cold air in the ice bin will freeze food in the refrigerator compartment. This could also cause the icemaker to stop producing ice.

NOTE: Emptying the ice bin is recommended if the icemaker ON/OFF button on the control panel is set to OFF for an extended period of time.

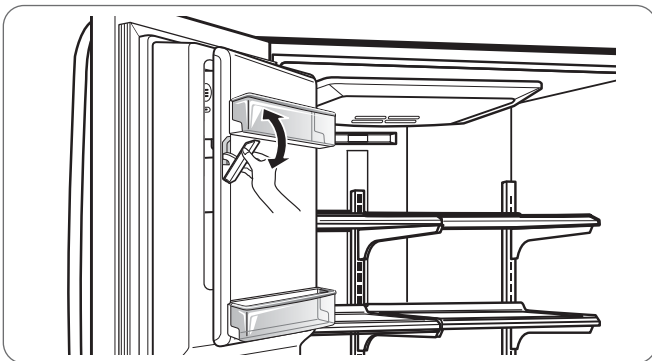
2. To remove the in-door ice bin, grip the front handle, slightly lift the lower part, and slowly pull out the bin as shown.



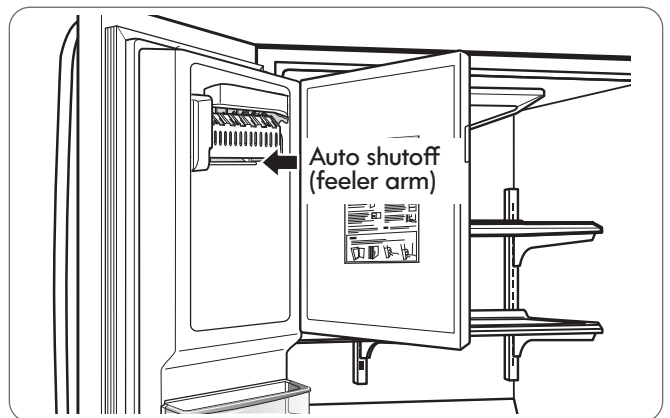
3. To reinstall the in-door ice bin, slightly slant the bin during replacement to avoid contact with the icemaker.



1. Pull or push the door handle to open or close the ice compartment.



4. Avoid touching the auto shutoff (feeler arm) when replacing the ice bin. See the label on the ice compartment door for details.



AUTOMATIC ICEMAKER

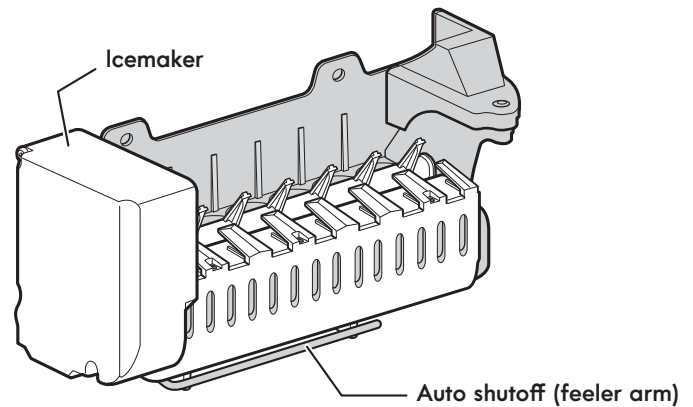
Ice is made in the automatic icemaker and sent to the dispenser. The icemaker will produce 70-182 cubes in a 24-hour period, depending on freezer compartment temperature, room temperature, number of door openings and other operating conditions.

- It takes about 12 to 24 hours for a newly installed refrigerator to begin making ice. Wait 72 hours for full ice production to occur.
- Ice making stops when the in-door ice bin is full. When full, the in-door ice bin holds approximately 6 to 8 (12-16 oz or 340-455 cc) glasses of ice.
- Foreign substances or frost on the auto shutoff (feeler arm) can interrupt ice production. Make sure the feeler arm is clean at all times for proper operation.
- To increase ice production, use the Accela Ice function. This function increases both ice making and freezing capabilities.

! WARNING

Personal Injury Hazard

DO NOT place fingers or hands on the automatic ice making mechanism while the refrigerator is plugged in.



AUTOMATIC ICEMAKER (continued)

⚠ CAUTION

- The first ice and water dispensed may include particles or odor from the water supply line or the water tank.
- Throw away the first few batches of ice. This is also necessary if the refrigerator has not been used for a long time.
- Never store beverage cans or other items in the ice bin for the purpose of rapid cooling. Doing so may damage the icemaker or the containers may burst.
- If discolored ice is dispensed, check the water filter and water supply. If the problem continues, contact a Sears or other qualified service center. Do not use the ice or water until the problem is corrected.
- Keep children away from the dispenser. Children may play with or damage the controls.
- The ice passage may become blocked with frost if only crushed ice is used. Remove the frost that accumulates by removing the ice bin and clearing the passage with a rubber spatula. Dispensing cubed ice can also help prevent frost buildup.
- Never use thin crystal glass or crockery to collect ice. Such containers may chip or break resulting in glass fragments in the ice.
- Dispense ice into a glass before filling it with water or other beverages. Splashing may occur if ice is dispensed into a glass that already contains liquid.
- Never use a glass that is exceptionally narrow or deep. Ice may jam in the ice passage and refrigerator performance may be affected.
- Keep the glass at a proper distance from the ice outlet. A glass held too close to the outlet may prevent ice from dispensing.
- To avoid personal injury, keep hands out of the ice door and passage.
- Never remove the dispenser cover.
- If ice or water dispenses unexpectedly, turn off the water supply and contact Sears Home Service at 1-844-553-6667.

WHEN TO SET ICEMAKER TO OFF

- When the water supply will be shut off for several hours.
- When the ice bin is removed for more than one or two minutes.
- When the refrigerator will not be used for several days.

NOTE: The ice bin should be emptied when the icemaker ON/OFF button is turned to the **OFF** mode.

NORMAL SOUNDS YOU MAY HEAR

- If the icemaker ON/OFF button is set to ON, the valve will buzz even if the icemaker has not yet been hooked up to water. To stop the buzzing, switch the button to OFF.
NOTE: Keeping the icemaker ON/OFF button set to ON before the water is connected can damage the icemaker.
- You will hear the sound of cubes dropping into the bin and water running in the pipes as the icemaker refills.

PREPARING FOR VACATION

Set the icemaker ON/OFF button to **OFF** and shut off the water supply to the refrigerator.

NOTE: The ice bin should be emptied any time the icemaker ON/OFF button is turned OFF.

If the ambient temperature will drop below freezing, have a qualified technician drain the water supply system to prevent serious property damage due to flooding caused by ruptured water lines or connections.

FOOD STORAGE GUIDE

Wrap or store food in the refrigerator in airtight and moisture-proof material unless otherwise noted. This prevents food odor and taste transfer throughout the refrigerator. For dated products, check date code to ensure freshness.

Items	How to
Butter or margarine	▶ Keep opened butter in a covered dish or closed compartment. When storing an extra supply, wrap in freezer packaging and freeze.
Cheese	▶ Store in the original wrapping until you are ready to use it. Once opened, rewrap tightly in plastic wrap or aluminum foil.
Milk	▶ Wipe milk cartons. For best storage, place milk on interior shelf, not on door shelf.
Eggs	▶ Store in original carton on interior shelf, not on door shelf.
Fruit	▶ Do not wash or hull the fruit until it is ready to be used. Sort and keep fruit in its original container, in a crisper, or store in a completely closed paper bag on a refrigerator shelf.
Leafy vegetables	▶ Remove store wrapping and trim or tear off bruised and discolored areas. Wash in cold water and drain. Place in plastic bag or plastic container and store in crisper.
Vegetables with skins (carrots, peppers)	▶ Place in plastic bags or plastic container and store in crisper.
Fish	▶ Store fresh fish and shellfish in the freezer section if they are not being consumed the same day of purchase. It is recommended to consume fresh fish and shellfish the same day purchased.
Leftovers	▶ Cover leftovers with plastic wrap or aluminum foil, or store in plastic containers with tight lids.

STORING FROZEN FOOD

NOTE: Check a freezer guide or a reliable cookbook for further information about preparing food for freezing or food storage times.

Freezing

Your freezer will not quick-freeze a large quantity of food. Do not put more unfrozen food into the freezer than will freeze within 24 hours (no more than 2 to 3 lbs. of food per cubic foot of freezer space). Leave enough space in the freezer for air to circulate around packages. Be careful to leave enough room at the front so the door can close tightly.

Storage times will vary according to the quality and type of food, the type of packaging or wrap used (how airtight and moisture-proof) and the storage temperature. Ice crystals inside a sealed package are normal. This simply means that moisture in the food and air inside the package have condensed, creating ice crystals.

NOTE: Allow hot foods to cool at room temperature for 30 minutes, then package and freeze. Cooling hot foods before freezing saves energy.

Packaging

Successful freezing depends on correct packaging. When you close and seal the package, it must not allow air or moisture in or out. If it does, you could have food odor and taste transfer throughout the refrigerator and could also dry out frozen food.

Packaging recommendations:

- Rigid plastic containers with tight-fitting lids
- Straight-sided canning/freezing jars
- Heavy-duty aluminum foil
- Plastic-coated paper
- Non-permeable plastic wraps
- Specified freezer-grade self-sealing plastic bags

Follow package or container instructions for proper freezing methods.

Do not use

- Bread wrappers
- Non-polyethylene plastic containers
- Containers without tight lids
- Wax paper or wax-coated freezer wrap
- Thin, semi-permeable wrap

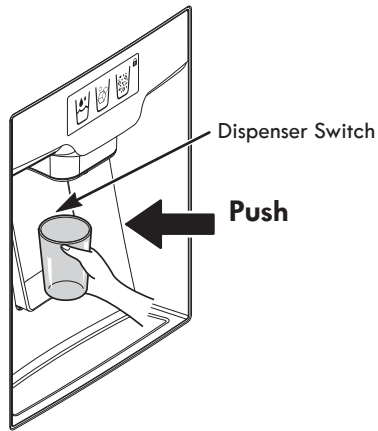
⚠ CAUTION: Do not keep beverage cans or plastic food containers in the freezer compartment. They may break or burst if they freeze.

REFRIGERATOR SECTION

WATER DISPENSER

To dispense cold water, push on the dispenser switch with a glass.

NOTE: The dispenser is equipped with a light that turns on when the dispenser pad is engaged.



⚠ WARNING: Do not put your fingers up the ice chute opening. Doing so can result in severe injury.

⚠ CAUTION: Do not dispense ice into fine china or crystal glasses. China or crystal can break.



Some dripping may occur after dispensing. Hold your cup beneath the dispenser for a few seconds after dispensing to catch all of the drops.

REFRIGERATOR SHELVES

The shelves in your refrigerator are adjustable to meet your individual storage needs. Your model may have glass or wire shelves.

Adjusting the shelves to fit different heights of items will make finding the exact item you want easier. Doing so will also reduce the amount of time the refrigerator door is open which will save energy.

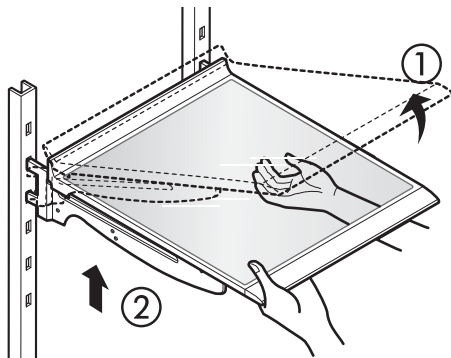
IMPORTANT: Do not clean glass shelves with warm water while they are cold. Shelves may break if exposed to sudden temperature changes or impact.

CAUTION: Glass shelves are heavy. Use special care when removing them.

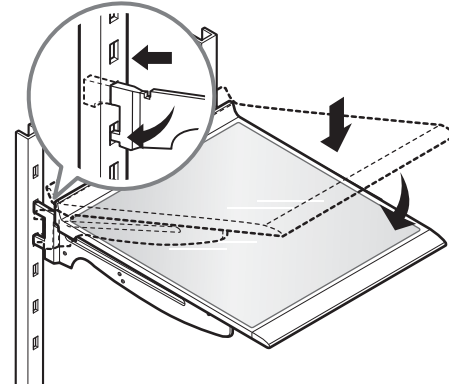
Adjusting Shelves (Cantilever)

Remove shelves from the shipping position and replace shelves in the position you want.

To remove a shelf—Tilt up the front of the shelf in the direction of ① and lift it in the direction of ②. Pull the shelf out.



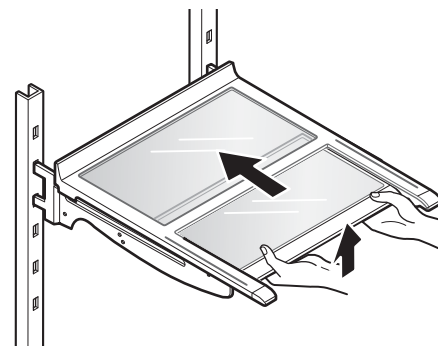
To reinstall a shelf—Tilt the front of the shelf up and guide the shelf hooks into the slots at a desired height. Then, lower the front of the shelf so that the hooks drop into the slots.



CAUTION: Make sure that shelves are level from one side to the other. Failure to do so may result in the shelf falling or spilling food.

Folding Shelf (on some models)

You can store taller items, such as a gallon container or bottles, by simply pushing the front half of the shelf underneath the back half of the shelf. Pull the front of the shelf toward you to return to a full shelf.



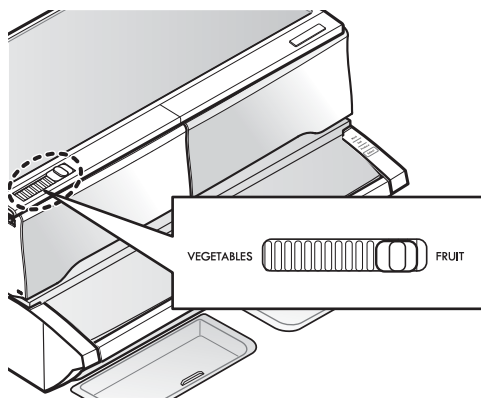
USING YOUR REFRIGERATOR

HUMIDITY CONTROLLED CRISPER

The crispers provide fresher tasting fruit and vegetables by letting you easily control humidity inside the drawer.

You can control the amount of humidity in the moisture-sealed crispers by adjusting the control to any setting between **VEGETABLES** and **FRUIT**.

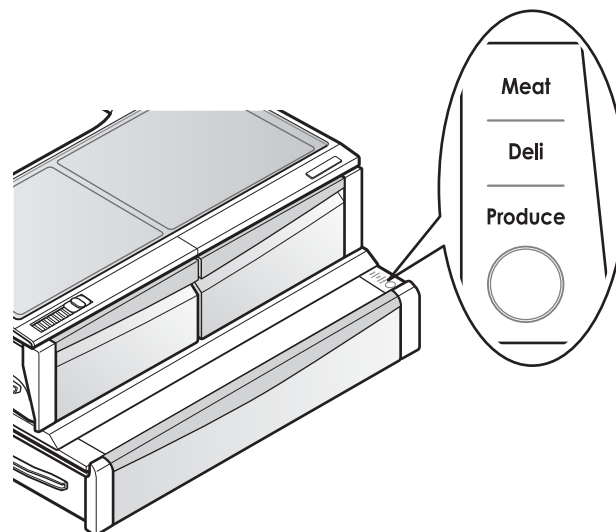
- **VEGETABLES** keeps moist air in the crisper for best storage of fresh, leafy vegetables.
- **FRUIT** lets moist air out of the crisper for best storage of fruit.



TEMPERATURE CONTROLLED PANTRY DRAWER

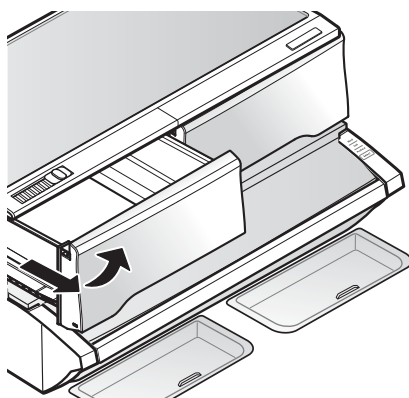
The **Temperature Controlled Pantry Drawer** provides storage space with a variable temperature control that can keep the compartment at a slightly different temperature than the refrigerator section. This drawer can be used for large party trays, deli items and beverages. (This drawer should not be used for vegetables that require high humidity.)

Press the button to choose between Meat (Coldest), Deli (Colder) and Produce (Cold).



REMOVING THE HUMIDITY CONTROLLED CRISPER

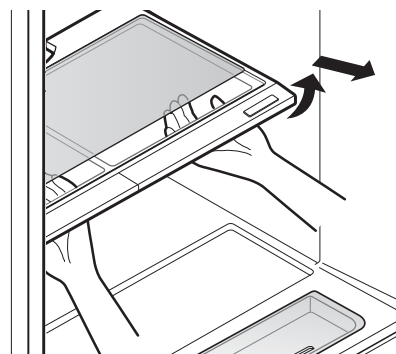
1. To remove, pull the drawer out to full extension.
2. Lift the front of the crisper up, then pull it straight out.
3. To install, slightly tilt up the front, insert the drawer into the frame and push it back into place.



To remove the glass

1. Lift up the glass under the crisper cover.
2. Pull the glass up and out.

NOTE: Pantry drawer not shown for clarity.



CAUTION: Do not store glass bottles in the pantry. If they freeze, they can break and cause personal injury.

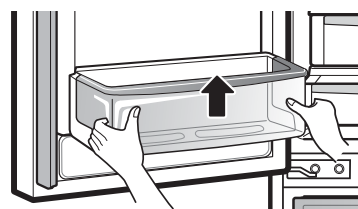
DOOR BIN

The door bins are removable for easy cleaning and adjustment.

1. To remove the bin, simply lift the bin up and pull straight out.
2. To replace the bin, slide it in above the desired support and push down until it snaps into place.

NOTE: Some bins may vary in appearance and will only fit in one location.

CAUTION: Do not overfill or pack items too tightly into door bins. Doing so may cause damage to the bin or personal injury if items are removed with excessive force.



**PREVIEW GRAB-N-GO
(On some models)**

The PreView Grab-N-Go compartment allows for easy access to commonly used food items.



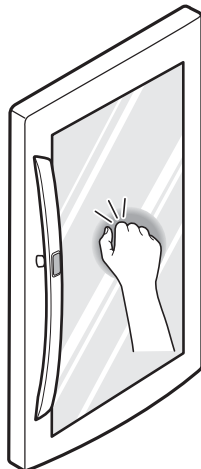
**PREVIEW GRAB-N-GO
COMPARTMENT
(On some models)**

To access the PreView Grab-N-Go compartment, lightly press the button on the right refrigerator door handle to open the door.



**PREVIEW FUNCTION
(On some models)**

The PreView function on the Grab-N-Go lets you see if you're running low on frequently used items like beverages and snacks, without opening the refrigerator door.

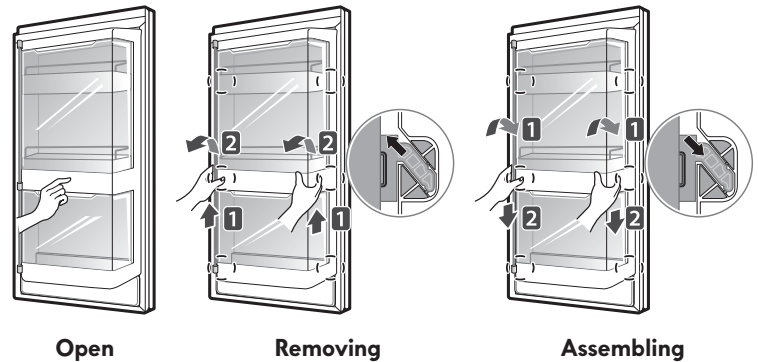


1. Knock twice on the glass to turn the LED light inside the Grab-N-Go on or off.
 2. The LED light turns off automatically after ten seconds.
- The PreView Grab-N-Go function is disabled when the right refrigerator door is open, for two seconds after closing the door, and when the ice dispenser is in use.
 - Knock near the center of the glass. Knocking near the edges of the glass may not activate the PreView Grab-N-Go function properly.
 - Knock hard enough that the knocking sound is audible.
 - The PreView Grab-N-Go function may activate if a loud noise occurs near the refrigerator.

GRAB-N-GO CASE (On some models)

To open the Grab-N-Go case, slightly push the marked area to pop it open. The Grab-N-Go Case is removable for easy cleaning and adjustment.

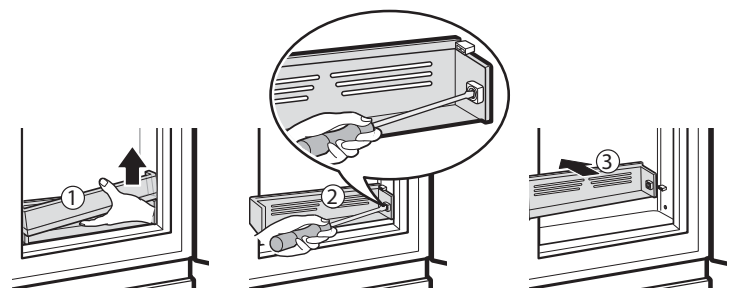
1. To remove the Grab-N-Go case, lift up and pull out.
2. To replace the Grab-N-Go case, line the tabs on the Grab-N-Go case with the slots on the door and push down until the case snaps into place.



GRAB-N-GO LOWER SHELF (On some models)

The Grab-N-Go lower shelf is removable for easy cleaning.

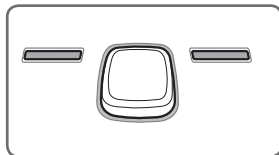
1. To remove the lower shelf, lift the shelf retainer up and out.
2. Remove the two screws from the shelf and pull it straight out.
3. Reverse procedure to replace.



REPLACING THE AIR FILTER

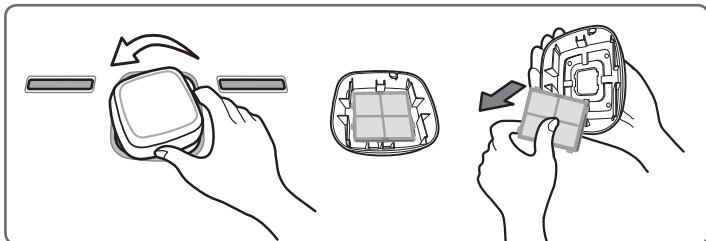
It is recommended that you replace the air filter:

- Approximately every six months.
- When the **CHANGE AIR FILTER** light turns on.



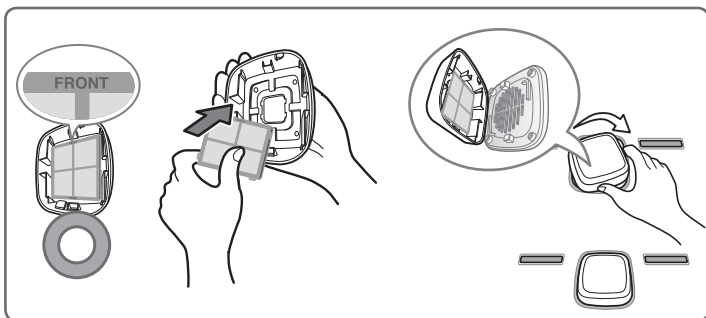
1. Remove the Old Filter

Turn the filter cover to the left to detach it from the refrigerator wall. The filter is located on the inside of the filter cover. Remove the filter from the cover and replace it with a new filter.



2. Install a New Air Filter.

Place the new filter inside of the cover with the side that says "Front" facing outward. Turn the filter cover to the right to attach it to the refrigerator wall.



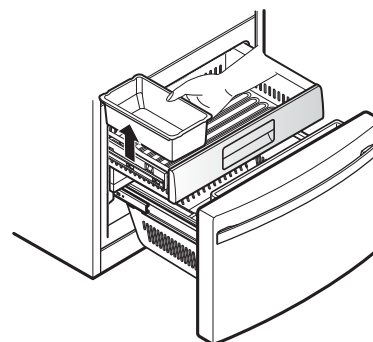
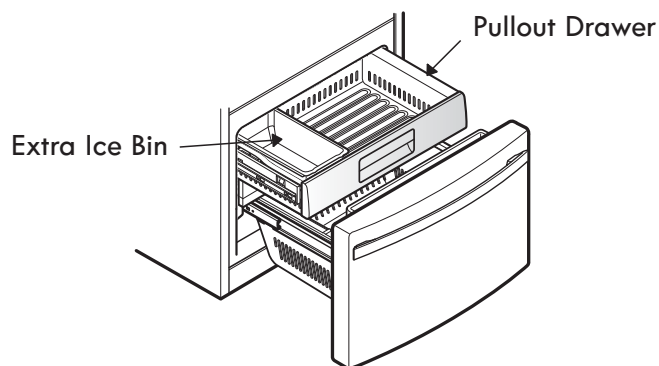
After changing the filter, push and hold the Air Filter button for three seconds to reset the filter sensor.

NOTE: To purchase a replacement air filter, visit your local Sears store, or call 1-844-553-6667. You may also purchase online at www.kenmore.com

FREEZER SECTION

EXTRA ICE BIN

1. Pull the Freezer Drawer and the top Pullout Drawer out as far as possible to remove the Extra Ice Bin.
2. Gently lift and pull out the ice bin.
3. To replace, pull both drawers out as far as possible, and set the bin in its correct position in the Pullout Drawer. Close the Pullout Drawer and then the Freezer Drawer.

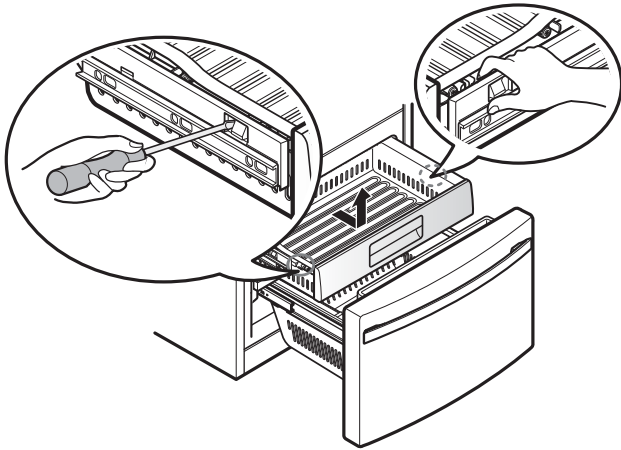


⚠ CAUTION: Pinch hazard! Keep hands and feet clear of the bottom of the freezer drawer when opening and closing.

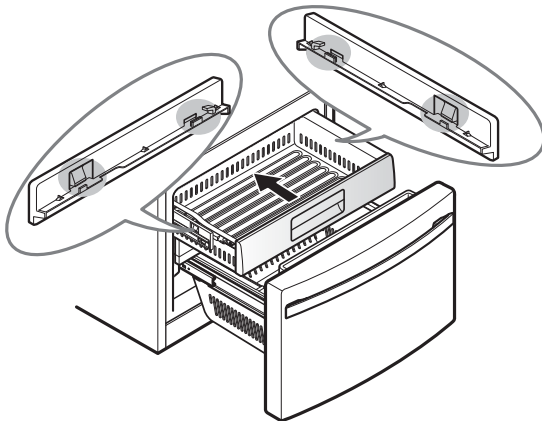
PULLOUT DRAWERS

Top Drawer

1. To remove, pull the drawer out to full extension. On the left rail, use a flat blade screwdriver to push in on the tab to release the drawer from the rail, as shown below. Once the left side is loose, push the tab on the right side with your finger to release the drawer. Lift the front of the drawer up, then pull it straight out.

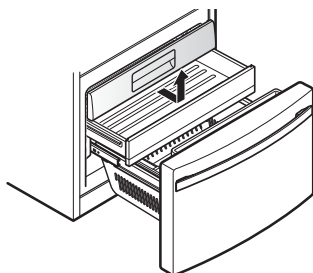


2. To replace, slightly tilt up the front of the drawer, insert the drawer into the frame, and push the drawer back into place until you hear a click.

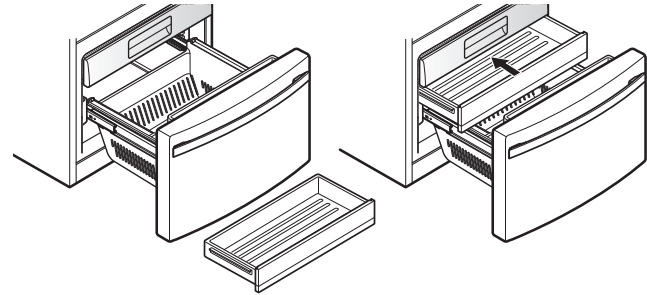


Middle Drawer

1. To remove, pull the drawer out to full extension. Lift the front of the drawer up, then pull it straight out.

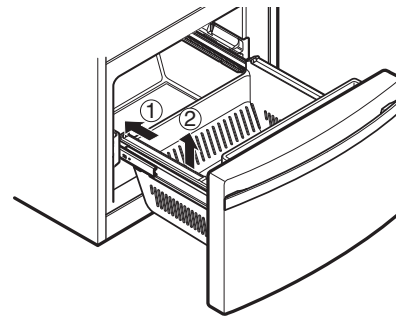


2. To replace, slightly tilt up the front of the drawer, insert the drawer into the frame, and push it back into place.



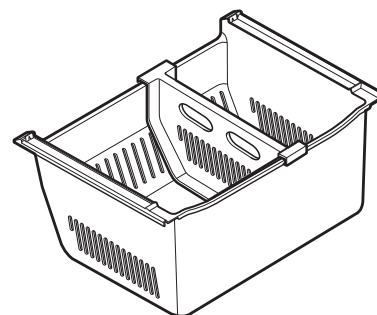
DURABASE

1. To remove the Durabase, push it to the back as much as possible. Tilt up the front of the Durabase and pull straight out.
2. To replace, insert the Durabase in the rail assembly.



DURABASE DIVIDER

The Durabase divider allows you to organize the Durabase area into sections. It can be adjusted from side to side to accommodate items of different sizes.



- ⚠ WARNING:** If the Durabase divider is removed, there is enough open space for children or pets to crawl inside. To prevent accidental child and pet entrapment or suffocation risk, DO NOT allow children or pets to touch or go near the drawer.

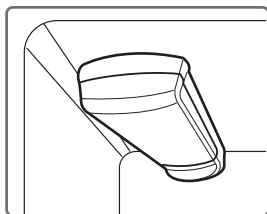
WATER FILTER

WATER FILTER

Water Filter
CHANGE
HOLD 3 SEC

It is recommended that you replace the water filter:

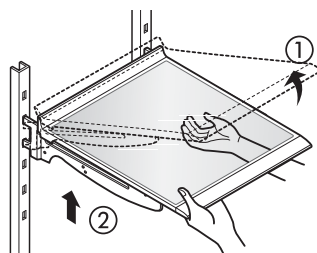
- Approximately every six months.
- When the water filter indicator turns on.
- When the water dispenser output decreases.
- When the ice cubes are smaller than normal.



Before Replacing the Water Filter:

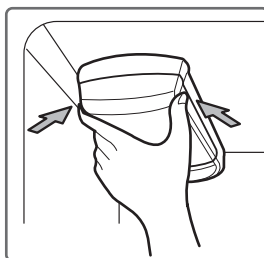
If the top shelf, located below the water filter, is in the highest position, it will need to be removed prior to replacing the water filter.

To remove any shelf—Tilt up the front of the shelf ① and lift it ②. Pull the shelf out.



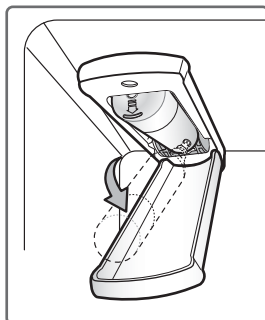
1. Remove the old water filter.

- Lower or remove the top left shelf to allow the water filter to rotate all the way down.
- Pinch the sides to open the water filter cover.



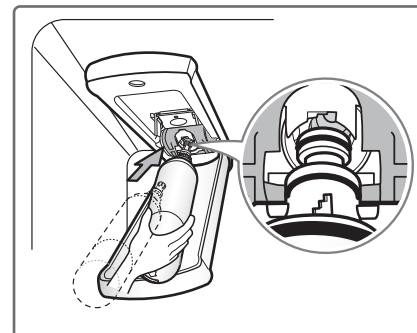
NOTE: Replacing the water filter causes a small amount of water (around 1 oz. or 25 cc) to drain. Place a cup under the front end of the water filter cover to collect any leaking water. Hold the water filter upright, once it is removed, to prevent any remaining water from spilling out of the water filter.

- Make sure to rotate the filter down completely before pulling it out of the manifold hole.
- Pull the water filter downward and turn it counterclockwise.



2. Replace with a new water filter.

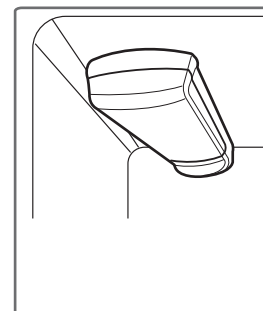
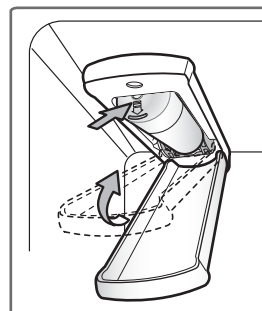
- Take the new water filter out of its packing and remove the protective cover from the o-rings.



- With the water filter tabs in the horizontal position, push the new water filter into the manifold hole and turn it clockwise.



- Rotate the water filter up into position and close the cover. The cover will click when closed correctly.



3. After the water filter is replaced, dispense 2.5 gallons of water (flush for approximately 5 minutes) to remove trapped air and contaminants from the system. Do not dispense the entire 2.5 gallon amount continuously. Depress and release the dispenser pad for cycles of 30 seconds ON and 60 seconds OFF.

NOTE: To purchase a replacement filter, visit your local Sears store, or call 1-844-553-6667. You may also purchase online at www.kenmore.com

Performance Data Sheet

Use Replacement Cartridge: MDJ64844602(9980)

The concentration of the indicated substances in water entering the system was reduced to a concentration less than or equal to the permissible limit for water leaving the system as specified in NSF/ANSI Standard 42 and Standard 53 and Standard 401.



System tested and certified by NSF International against NSF/ANSI Standard 42, Standard 53 and Standard 401. For the reduction of substances listed below.

Contaminant Reduction	Average Influent Challenge	NSF specified Challenge Concentration	Avg % Reduction	Average Product Water Concentration	Max Permissible Product Water Concentration	NSF Reduction Requirement
Chlorine Taste and Odor	2.0 µg/L	2.0 mg/L ± 10%	>97.5%	0.050 µg/L	N/A	≥ 50.00%
Nominal Particulate Class I, , ≥0.5 to < 1.0 µm	12,000,000 pts/ml	At least 10,000 particles/mL	99.80%	24,000 pts/ml	N/A	≥ 85.00%
Asbestos	180 MFL	10 ⁷ to 10 ⁸ MFL; fibers greater than 10 µm in length	>99.00%	< 1 MFL	N/A	≥ 99.00%
Atrazine	8.5 µg/L	9.0 µg/L ± 10%	>94.10%	0.500 µg/L	3.0 µg/L	N/A
Benzene	15.0 µg/L	15.0 µg/L ± 10%	>96.60%	0.510 µg/L	5.0 µg/L	N/A
Carbofuran	74.0 µg/L	80.0 µg/L ± 10%	98.30%	1.258 µg/L	40 µg/L	N/A
Lindane	1.9 µg/L	2.0 µg/L ± 10%	>99.00%	0.019 µg/L	0.2 µg/L	N/A
P-Dichlorobenzene	230.0 µg/L	225.0 µg/L ± 10%	>99.80%	0.460 µg/L	75.0 µg/L	N/A
2,4-D	210.0 µg/L	210.0 µg/L ± 10%	>99.90%	0.210 µg/L	70.0 µg/L	N/A
Lead @ pH 6.5	140.0 µg/L	150.0 µg/L ± 10%	99.60%	0.560 µg/L	10.0 µg/L	N/A
Lead @ pH 8.5	150.0 µg/L	150.0 µg/L ± 10%	>90%	<0.500 µg/L	10.0 µg/L	N/A
Mercury @ pH 6.5	5.9 µg/L	6.0 µg/L ± 10%	91.00%	0.531 µg/L	2.0 µg/L	N/A
Mercury @ pH 8.5	5.6 µg/L	6.0 µg/L ± 10%	92.50%	<0.420 µg/L	2.0 µg/L	N/A
Cyst*	100,000 cysts/L	Minimum 50,000 cysts/L	>99.99%	10	N/A	≥99.95%
Atenolol	240 ng/L	200 ± 40% ng/L	> 95.50%	10.80 ng/L	30 ng/L	NA
Carbamazepine	1600 ng/L	1400 ± 40% ng/L	98.40%	25.60 ng/L	200 ng/L	NA
DEET	1600 ng/L	1400 ± 40% ng/L	97.10%	46.40 ng/L	200 ng/L	NA
Trimethoprim	170 ng/L	140 ± 40% ng/L	>96.80%	5.44 ng/L	20 ng/L	NA
Linuron	160 ng/L	140 ± 40% ng/L	>96.60%	5.44 ng/L	20 ng/L	NA
Phenytoin	200 ng/L	200 ± 40% ng/L	>94.80%	10.40 ng/L	30 ng/L	NA
Ibuprofen	400 ng/L	400 ± 40% ng/L	>94.50%	22.00 ng/L	60 ng/L	NA
Naproxen	140 ng/L	140 ± 40% ng/L	>96.10%	5.46 ng/L	20 ng/L	NA
Estrone	120 ng/L	140 ± 40% ng/L	>96.10%	4.68 ng/L	20 ng/L	NA
Bisphenol A	2000 ng/L	2000 ± 40% ng/L	>98.90%	22.00 ng/L	300 ng/L	NA
Nonyl Phenol	1600 ng/L	1400 ± 40% ng/L	>97.10%	46.40 ng/L	200 ng/L	NA

* Based on the use of Cryptosporidium parvum oocysts

WATER FILTER

Application Guidelines/Water Supply Parameters	
Service Flow	0.5 gpm (1.9 lpm)
Water Supply	Potable Water
Water Pressure	20-120 psi (138 - 827 kPa)
Water Temperature	33°F - 100°F (0.6°C - 38°C)

It is essential that the manufacturer's recommended installation, maintenance and water filter replacement requirements be carried out for the product to perform as advertised.

NOTE: While the testing was performed under standard laboratory conditions, actual performance may vary.

NOTE: To purchase a replacement filter, visit your local Sears store, or call 1-844-553-6667. You may also purchase online at www.kenmore.com

Product distributed in the United States by Sears Brands Management Corporation, Hoffman Estates, IL 60179.

NSF is a trademark of NSF International.

WARNING

To reduce the risk associated with ingestion of contaminants: Do not use with water that is microbiologically unsafe or of unknown quality without adequate disinfection before and after the system. Systems certified for cyst reduction may be used on disinfected water that may contain filterable cysts. EPA Establishment Number 10350-MN-005

CAUTION

To reduce the risk associated with property damage due to water leakage:

- **Read and follow** the Water Filter instructions before installation and use of this system.
- Installation and use **MUST** comply with all state and local plumbing codes.
- **Do not** install if water pressure exceeds 120 psi (827 kPa). Contact a plumbing professional if you are uncertain of how to check your water pressure.
- **Do not** install where water hammer conditions may occur. If water hammer conditions exist, you must install a water hammer arrester. Contact a plumbing professional if you are uncertain of how to check for this condition.
- **Do not** install on hot water supply lines. The maximum operating water temperature of this water filter system is 100°F (38°C).
- **Protect water filter from freezing.** Do not operate refrigerator in ambient conditions below 55°F (12.7°C). Drain water filter when storing unit in temperatures below 40°F (4.4°C).
- The disposable water filter must be replaced every six months, at the rated capacity, or if a noticeable reduction in flow rate occurs.

CARE AND CLEANING

! WARNING



Explosion Hazard

Use non-flammable cleaner. Failure to do so can result in fire, explosion, or death.

Both the refrigerator and freezer sections defrost automatically; however, clean both sections about once a month to prevent odors. Wipe up spills immediately.

GENERAL CLEANING TIPS

- Unplug refrigerator or disconnect power.
- Remove all removable parts, such as shelves, crispers, etc. Refer to sections in *Using Your Refrigerator* for removal instructions.
- Use a clean sponge or soft cloth and a mild detergent in warm water. Do not use abrasive or harsh cleaners.
- Hand wash, rinse and dry all surfaces thoroughly.
- Plug in refrigerator or reconnect power.

EXTERIOR

Waxing external painted metal surfaces helps provide rust protection. Do not wax plastic parts. Wax painted metal surfaces at least twice a year using appliance wax (or auto paste wax). Apply wax with a clean, soft cloth.

For products with a stainless steel exterior, use a clean sponge or soft cloth and a mild detergent in warm water. Do not use abrasive or harsh cleaners. Dry thoroughly with a soft cloth.

INSIDE WALLS (allow freezer to warm up so the cloth will not stick)

To help remove odors, you can wash the inside of the refrigerator with a mixture of baking soda and warm water. Mix 2 tablespoons of baking soda to 1 quart of water (26 g soda to 1 liter water.) Be sure the baking soda is completely dissolved so it does not scratch the surfaces of the refrigerator.

! CAUTION: While cleaning the inside, do not spray water.

DOOR LINERS AND GASKETS

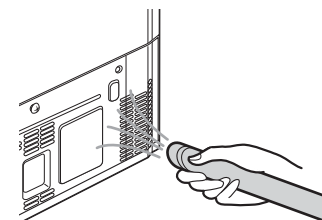
Use a clean sponge or soft cloth and a mild detergent in warm water. Do not use cleaning waxes, concentrated detergents, bleaches, or cleaners containing petroleum on plastic refrigerator parts.

PLASTIC PARTS (Covers and Panels)

Use a clean sponge or soft cloth and a mild detergent in warm water. Do not use window sprays, abrasive cleansers, or flammable fluids. These can scratch or damage the material.

CONDENSER COILS

Use a vacuum cleaner with an attachment to clean the condenser cover and vents. Do not remove the panel covering the condenser coil area.



LIGHT BULB REPLACEMENT

WARNING

Electrical Shock Hazard

Before replacing a Compartment Lamp, either unplug the refrigerator or turn off power at the circuit breaker or fuse box.

NOTE: The refrigerator and freezer compartment lights have LED interior lighting, and service should be performed by a qualified technician.

POWER INTERRUPTIONS

1. If the power will be out for 24 hours or less, keep all refrigerator doors closed to help foods stay cold and frozen.
2. If the power will be out for more than 24 hours, remove all frozen food and store it in a frozen food locker.

WHEN YOU GO ON VACATION

If you choose to leave the refrigerator on while you are away, follow these steps to prepare your refrigerator before you leave.

1. Use up any perishables and freeze other items.
2. Turn off the icemaker and empty the ice bin.

If you choose to turn the refrigerator off before you leave, follow these steps.

1. Remove all food from the refrigerator.
2. Depending on your model, set the thermostat control (refrigerator control) to OFF. See the **Setting the Controls** section.
3. Clean the refrigerator, wipe it and dry well.
4. Tape rubber or wood blocks to the tops of both doors to prop them open far enough for air to get in. This stops odor and mold from building up.

WHEN YOU MOVE

When you are moving your refrigerator to a new home, follow these steps to prepare it for the move.

1. Remove all food from the refrigerator and pack all frozen food in dry ice.
2. Unplug the refrigerator.
3. Clean, wipe and dry thoroughly.
4. Take out all removable parts, wrap them well and tape them together so they do not shift and rattle during the move. Refer to the **Using your Refrigerator** section for removable instructions.
5. Depending on the model, raise the front of the refrigerator so it rolls easier OR screw in the leveling legs all the way so they do not scrape the floor. See the **Door Closing** section.
6. Tape the doors shut and tape the power cord to the refrigerator cabinet.

When you get to your new home, put everything back and refer to the **Refrigerator Installation** section for preparation instructions.

CONNECTING THE WATER LINE

BEFORE YOU BEGIN

This water line installation is not covered by the refrigerator warranty. Follow these instructions carefully to minimize the risk of expensive water damage.

Water hammer (water banging in the pipes) in house plumbing can cause damage to refrigerator parts and can lead to water leakage or flooding. Call a qualified plumber to correct water hammer before installing the water supply line to the refrigerator.

⚠ CAUTION: To prevent burns and product damage, only connect the refrigerator water line to a cold water supply.

If you use your refrigerator before connecting the water line, make sure the icemaker is turned OFF at the control panel.

⚠ CAUTION: Do not install the icemaker tubing in areas where temperatures fall below freezing.

WATER PRESSURE

A cold water supply. The water pressure must be between 20 and 120 psi. If the refrigerator is installed in an area with low water pressure (below 20 psi), you can install a booster pump to compensate for the low pressure.

If a **reverse osmosis water filtration system** is connected to your cold water supply, this water line installation is not covered by the refrigerator warranty. Follow the following instructions carefully to minimize the risk of expensive water damage.

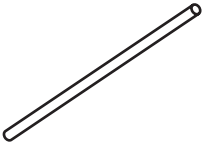
If a **reverse osmosis water filtration system** is connected to your cold water supply, the water pressure to the reverse osmosis system needs to be a minimum of 40 to 60 psi (276-414 kPa or 2.8-4.2 kgf/cm², less than 2.0-3.0 sec. to fill a cup of 7 oz or 198 cc capacity).

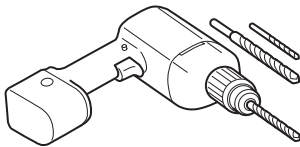
If the water pressure from the reverse osmosis system is less than 20 psi or 138 kPa or 1.4 kgf/cm² (takes more than 4.0 sec to fill a cup of 7 oz or 198 cc capacity):

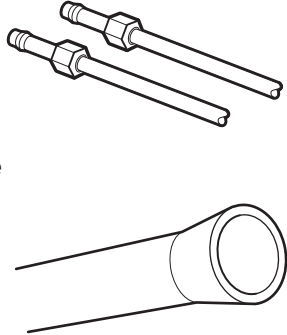
- Check to see if the sediment filter in the reverse osmosis system is blocked. Replace the filter if necessary.
- Allow the storage tank on the reverse osmosis system to refill after heavy usage.
- If the issue concerning water pressure from reverse osmosis remains, call a licensed, qualified plumber.
- All installations must be in accordance with local plumbing code requirements.

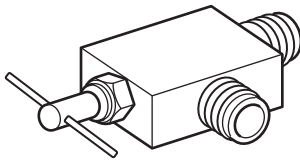
⚠ CAUTION: Wear eye protection during installation to prevent injury.

WHAT YOU WILL NEED

- **Copper Tubing**, 1/4 in. outer diameter, to connect the refrigerator to the water supply. Be sure both ends of the tubing are cut square. 
- To determine how much tubing you need: measure the distance from the water valve on the back of the refrigerator to the water supply pipe. Then, add 8 feet (2.4 m). Be sure there is sufficient extra tubing (about 8 feet [2.4 m] coiled into 3 turns of about 10 in. [25 cm] diameter) to allow the refrigerator to move out from the wall after installation.

- **Power drill.**
- **1/2 in. or adjustable wrench.**
- **Flat blade and Phillips head screwdrivers.**
- **Two 1/4 in. outer diameter compression nuts and 2 ferrules (sleeves)** to connect the copper tubing to the shutoff valve and the refrigerator water valve. 

- If your existing copper water line has a flared fitting at the end, you will need an **adapter** (available at plumbing supply stores) to connect the water line to the refrigerator OR you can cut off the flared fitting with a tube cutter and then use a compression fitting. 

- **Shutoff valve to connect to the cold water line.** The shutoff valve should have a water inlet with a minimum inside diameter of 5/32 in. at the point of connection to the COLD WATER LINE. Saddle-type shutoff valves are included in many water supply kits. Before purchasing, make sure a saddle-type valve complies with your local plumbing codes. 

NOTE: A Self Piercing Saddle Type Water Valve should not be used.

⚠ WARNING

Electrical Shock Hazard

When using any electrical device (such as a power drill) during installation, be sure the device is battery powered, double insulated or grounded in a manner that will prevent the hazard of electric shock.

CONNECTING THE WATER LINE

INSTALLATION INSTRUCTIONS

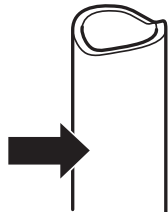
Install the shutoff valve on the nearest frequently used drinking water line.

1. SHUT OFF THE MAIN WATER SUPPLY

Turn on the nearest faucet to relieve the pressure on the line.

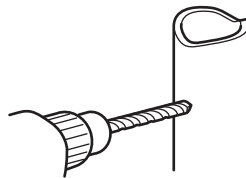
2. CHOOSE THE VALVE LOCATION

Choose a location for the valve that is easily accessible. It is best to connect into the side of a vertical water pipe. When it is necessary to connect into a horizontal water pipe, make the connection to the top or side, rather than at the bottom, to avoid drawing off any sediment from the water pipe.



3. DRILL THE HOLE FOR THE VALVE

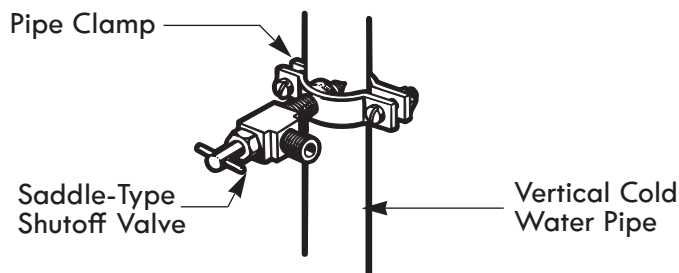
Drill a 1/4 in. hole in the water pipe using a sharp bit. Remove any burrs resulting from drilling the hole in the pipe. Be careful not to allow water to drain into the drill. Failure to drill a 1/4 in. hole may result in reduced ice production or smaller cubes.



NOTE: The hookup line cannot be white, plastic tubing. Licensed plumbers must use only copper tubing (NDA tubing #49595 or #49599) or Cross Link Polyethylene (PEX) tubing.

4. FASTEN THE SHUTOFF VALVE

Fasten the shutoff valve to the cold water pipe with the pipe clamp.

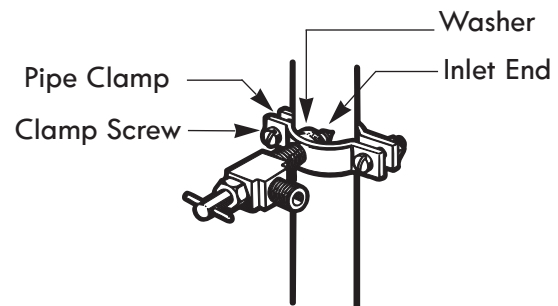


NOTE: Commonwealth of Massachusetts Plumbing Codes 248CMR shall be adhered to. Saddle valves are illegal and use is not permitted in Massachusetts. Consult with your licensed plumber.

5. TIGHTEN THE PIPE CLAMP

Tighten the clamp screws until the sealing washer begins to swell.

NOTE: Do not overtighten clamp or you may crush the tubing.



6. ROUTE THE TUBING

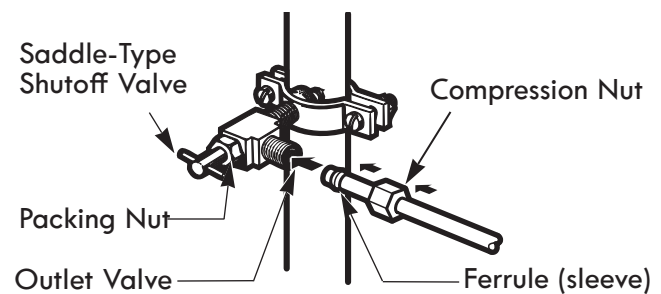
Route the tubing between the cold water line and the refrigerator.

Route the tubing through a hole drilled in the wall or floor (behind the refrigerator or adjacent base cabinet) as close to the wall as possible.

NOTE: Be sure there is sufficient extra tubing (about 8 feet coiled into 3 turns of about 10 in. diameter) to allow the refrigerator to move out from the wall after installation.

7. CONNECT THE TUBING TO THE VALVE

Place the compression nut and ferrule (sleeve) for copper tubing onto the end of the tubing and connect it to the shutoff valve. Make sure the tubing is fully inserted into the valve. Tighten the compression nut securely.

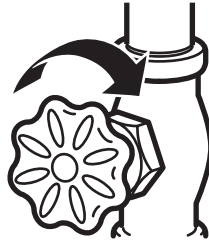


NOTE: Commonwealth of Massachusetts Plumbing Codes 248CMR shall be adhered to. Saddle valves are illegal and their use is not permitted in Massachusetts. Consult with your licensed plumber.

8. FLUSH OUT THE TUBING

Turn the main water supply on and flush out the tubing until the water is clear.

Shut the water off at the water valve after about one quart of water has been flushed through the tubing.

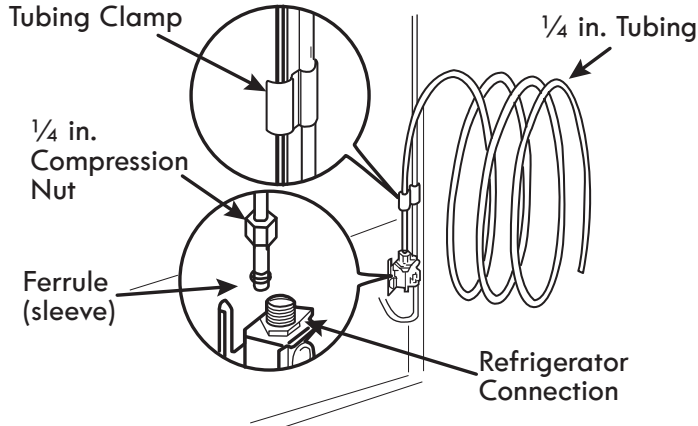


9. CONNECT THE TUBING TO THE REFRIGERATOR

! WARNING

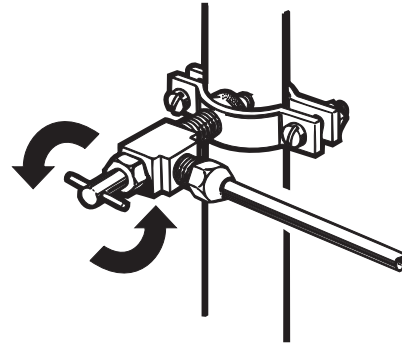
Before making the connection to the refrigerator, be sure that the refrigerator power cord is not plugged into the wall outlet.

1. Remove the plastic flexible cap from the water valve.
2. Place the compression nut and ferrule (sleeve) onto the end of the tubing as shown.
3. Insert the end of the copper tubing into the connection as far as possible. While holding the tubing, tighten the fitting.



10. TURN THE WATER ON AT THE SHUTOFF VALVE

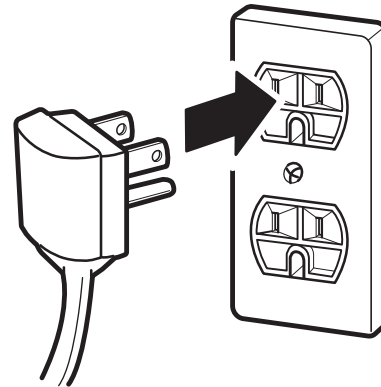
Tighten any connections that leak.



! CAUTION: Check to see if leaks occur at the water line connections.

11. PLUG IN THE REFRIGERATOR

Arrange the coil of tubing so that it does not vibrate against the back of the refrigerator or against the wall. Push the refrigerator back to the wall.



12. START THE ICEMAKER

Turn the icemaker ON at the control panel.

The icemaker will not begin to operate until it reaches its operating temperature of 15°F (-9°C) or below. It will then begin operation automatically if the icemaker button has been turned ON.

TROUBLESHOOTING GUIDE

Before conducting troubleshooting, make sure that the following basic requirements are met:

Service Flow	0.5 gpm (1.9 lpm)
Water Supply	Potable Water
Water Pressure	20-120 psi (138 - 827 kPa)
Operating Ambient Temperature Limits	55°F - 110°F
Electrical Ratings	115 Volts, 60 Hz, AC only, and fused at 15 or 20 amperes.

COOLING

Problem	Possible Causes	Solutions
Refrigerator and Freezer section are not cooling.	The refrigerator control is set to OFF (some models).	Turn the control ON. Refer to the Setting the Controls section for proper temperature settings.
	Refrigerator is set to demo mode.	Demo Mode allows the lights and control display to work normally while disabling cooling to save energy while on the showroom floor. Refer to the Setting the Controls section for instructions on how to disable Demo Mode.
	Refrigerator is in the defrost cycle.	During the defrost cycle, the temperature of each compartment may raise slightly. Wait 30 minutes and confirm the proper temperature has been restored once the defrost cycle has completed.
	Refrigerator was recently installed.	It may take up to 24 hours for each compartment to reach the desired temperature.
	Refrigerator was recently relocated.	If the refrigerator was stored for a long period of time or moved on its side, it is necessary for the refrigerator to stand upright for 24 hours before connecting it to power.
Cooling System runs too much.	Refrigerator is replacing an older model.	Modern refrigerators require more operating time but use less energy due to more efficient technology.
	Refrigerator was recently plugged in or power restored.	The refrigerator will take up to 24 hours to cool completely.
	Door opened often or a large amount of food / hot food was added.	Adding food and opening the door warms the refrigerator, requiring the compressor to run longer in order to cool the refrigerator back down. In order to conserve energy, try to get everything you need out of the refrigerator at once, keep food organized so it is easy to find, and close the door as soon as the food is removed. (Refer to the Food Storage Guide .)
	Doors are not closed completely.	Firmly push the doors shut. If they will not shut all the way, see the Doors will not close completely or pop open section in Parts & Features Troubleshooting .
	Refrigerator is installed in a hot location.	The compressor will run longer under warm conditions. At normal room temperatures (70°F) expect your compressor to run about 40% to 80% of the time. Under warmer conditions, expect it to run even more often. The refrigerator should not be operated above 110°F.
	Condenser / back cover is clogged.	Use a vacuum cleaner with an attachment to clean the condenser cover and vents. Do not remove the panel covering the condenser coil area.

COOLING

Problem	Possible Causes	Solutions
Refrigerator or Freezer section is too warm.	Refrigerator was recently installed.	It may take up to 24 hours for each compartment to reach the desired temperature.
	Air vents are blocked.	Rearrange items to allow air to flow throughout the compartment. Refer to the Airflow diagram in the Using Your Refrigerator section.
	Doors are opened often or for long periods of time.	When the doors are opened often or for long periods of time, warm, humid air enters the compartment. This raises the temperature and moisture level within the compartment. To lessen the effect, reduce the frequency and duration of door openings.
	Unit is installed in a hot location.	The refrigerator should not be operated in temperatures above 110F.
	A large amount of food or hot food was added to either compartment.	Adding food warms the compartment requiring the cooling system to run. Allowing hot food to cool to room temperature before putting it in the refrigerator will reduce this effect.
	Doors not closed correctly.	See the Doors will not close correctly or pop open section in Parts & Features Troubleshooting .
	Temperature control is not set correctly.	If the temperature is too warm, adjust the control one increment at a time and wait for the temperature to stabilize. Refer to the Setting the Controls section for more information.
	Defrost cycle has recently completed.	During the defrost cycle, the temperature of each compartment may raise slightly and condensation may form on the back wall. Wait 30 minutes and confirm the proper temperature has been restored once the defrost cycle has completed.
Interior moisture buildup.	Doors are opened often or for long periods of time.	When the doors are opened often or for long periods of time, warm, humid air enters the compartment. This raises the temperature and moisture level within the compartment. To lessen the effect, reduce the frequency and duration of door openings.
	Doors not closed correctly.	See the Doors will not close correctly section in the Troubleshooting section.
	Weather is humid.	Humid weather allows additional moisture to enter the compartments when the doors are opened leading to condensation or frost. Maintaining a reasonable level of humidity in the home will help to control the amount of moisture that can enter the compartments.
	Defrost cycle recently completed.	During the defrost cycle, the temperature of each compartment may raise slightly and condensation may form on the back wall. Wait 30 minutes and confirm that the proper temperature has been restored once the defrost cycle has completed.
	Food is not packaged correctly.	Food stored uncovered or unwrapped, and damp containers can lead to moisture accumulation within each compartment. Wipe all containers dry and store food in sealed packaging to prevent condensation and frost.

Problem	Possible Causes	Solutions
Food is freezing in the refrigerator compartment.	Food with high water content was placed near an air vent.	Rearrange items with high water content away from air vents.
	Refrigerator temperature control is set incorrectly.	If the temperature is too cold, adjust the control one increment at a time and wait for the temperature to stabilize. Refer to the Setting the Controls section for more information.
	Refrigerator is installed in a cold location.	When the refrigerator is operated in temperature below 41°F (5°C), food can freeze in the refrigerator compartment. The refrigerator should not be operated in temperature below 55°F (13°C).
Frost or ice crystals form on frozen food (outside of package).	Door is opened frequently or for long periods of time.	When the doors are opened often or for long periods of time, warm, humid air enters the compartment. This raises the temperature and moisture level within the compartment. Increased moisture will lead to frost and condensation. To lessen the effect, reduce the frequency and duration of door openings.
	Door is not closing properly.	Refer to the Doors will not close correctly or pop open section in the Troubleshooting section.
Refrigerator or Freezer section is too cold.	Incorrect temperature control settings.	If the temperature is too cold, adjust the control one increment at a time and wait for the temperature to stabilize. Refer to the Setting the Controls section for more information.
Frost or ice crystals on frozen food (inside of sealed package).	Condensation from food with a high water content has frozen inside of the food package.	This is normal for food items with a high water content.
	Food has been left in the freezer for a long period of time.	Do not store food items with high water content in the freezer for a long period of time.
Icemaker is not making enough ice.	Demand exceeds ice storage capacity.	The icemaker will produce approximately 70-182 cubes in a 24 hour period.
	House water supply is not connected, valve is not turned on fully, or valve is clogged.	Connect the refrigerator to a cold water supply with adequate pressure and turn the water shutoff valve fully open. If the problem persists, it may be necessary to contact a plumber.
	Water filter has been exhausted.	It is recommended that you replace the water filter: <ul style="list-style-type: none"> • Approximately every six months. • When the water filter indicator turns on. • When the water dispenser output decreases. • When the ice cubes are smaller than normal.
	Low house water supply pressure.	The water pressure must be between 20 and 120 psi on models without a water filter and between 40 and 120 psi on models with a water filter. If the problem persists, it may be necessary to contact a plumber or install a booster pump to compensate for the low pressure.
	Reverse Osmosis filtration system is used.	Reverse osmosis filtration systems can reduce the water pressure below the minimum amount and result in icemaker issues. (Refer to Water Pressure section.)
	Tubing connecting refrigerator to house supply valve is kinked.	The tubing can kink when the refrigerator is moved during installation or cleaning resulting in reduced water flow. Straighten or repair the water supply line and arrange it to prevent future kinks.

ICE & WATER

Problem	Possible Causes	Solutions
Icemaker is not making enough ice (continued).	Doors are opened often or for long periods of time.	If the doors of the unit are opened often, ambient air will warm the refrigerator which will prevent the unit from maintaining the set temperature. Lowering the refrigerator temperature can help, as well as not opening the doors as frequently.
	Doors are not closed completely.	If the doors are not properly closed, ice production will be affected. See the Doors will not close completely or pop open section in Parts & Features Troubleshooting for more information.
	The temperature setting for the freezer is too warm.	The recommended temperature for the freezer compartment for normal ice production is 0°F. If the freezer temperature is warmer, ice production will be affected.
Dispensing water slowly.	Water filter has been exhausted.	It is recommended that you replace the water filter: <ul style="list-style-type: none"> • Approximately every six months. • When the water filter indicator turns on. • When the water dispenser output decreases. • When the ice cubes are smaller than normal.
	Reverse osmosis filtration system is used.	Reverse osmosis filtration systems can reduce the water pressure below the minimum amount and result in icemaker issues. If the problem persists, it may be necessary to contact a plumber or install a booster pump to compensate for the low pressure.
	Low house water supply pressure.	The water pressure must be between 20 and 120 psi on models without a water filter and between 40 and 120 psi on models with a water filter. If the problem persists, it may be necessary to contact a plumber or install a booster pump to compensate for the low pressure.
Not dispensing ice.	Doors are not closed completely.	Ice will not dispense if any of the refrigerator doors are left open.
	Infrequent use of the dispenser.	Infrequent use of the ice dispenser will cause the cubes to stick together over time, which will prevent them from properly dispensing. Check the ice bin for ice cubes clumping/sticking together. If they are, break up the ice cubes to allow for proper operation.
	The delivery chute is clogged with frost or ice fragments.	Eliminate the frost or ice fragments by removing the ice bin and clearing the chute with a plastic utensil. Dispensing cubed ice can also help prevent frost or ice fragment buildup.
	The dispenser display is locked.	Press and hold the Lock button for three seconds to unlock the control panel and dispenser.
	Ice bin is empty.	It may take up to 24 hours for each compartment to reach the desired temperature and for the icemaker to begin making ice. Make sure that the shutoff (arm/sensor) is not obstructed. Once the ice supply in the bin has been completely exhausted, it may take up to 90 minutes before additional ice is available, and approximately 24 hours to completely refill the bin.

Problem	Possible Causes	Solutions
Icemaker is not making ice.	Refrigerator was recently installed or icemaker recently connected.	It may take up to 24 hours for each compartment to reach the desired temperature and for the icemaker to begin making ice.
	Icemaker not turned on.	Locate the icemaker ON/OFF button and confirm that it is turned ON.
	The refrigerator is not connected to a water supply or the supply shutoff valve is not turned on.	Connect refrigerator to the water supply and turn the water shutoff valve fully open.
	Icemaker shutoff (feeler arm) obstructed.	If your icemaker is equipped with an ice shutoff arm, make sure that the arm moves freely.
	Reverse osmosis water filtration system is connected to your cold water supply.	Reverse osmosis filtration systems can reduce the water pressure below the minimum amount and result in icemaker issues. (Refer to the Water Pressure section.)
Not dispensing water.	New installation or water line recently connected.	Dispense 2.5 gallons of water (flush for approximately 5 minutes) to remove trapped air and contaminants from the system. Do not dispense the entire 2.5 gallon amount continuously. Depress and release the dispenser pad for cycles of 30 seconds ON and 60 seconds OFF.
	The dispenser panel is locked.	Press and hold the Lock button for three seconds to unlock the control panel and dispenser.
	The dispenser is not set for water dispensing.	The dispenser can be set for ice or water. Make certain that the control panel is set for the proper operation. Press the Water button on the control panel to dispense water.
	Refrigerator or freezer doors are not closed properly.	Water will not dispense if any of the refrigerator doors are left open.
	Water filter has been recently removed or replaced.	After the water filter is replaced, dispense 2.5 gallons of water (flush for approximately 5 minutes) to remove trapped air and contaminants from the system. Do not dispense the entire 2.5 gallon amount continuously. Depress and release the dispenser pad for cycles of 30 seconds ON and 60 seconds OFF.
	Tubing connecting refrigerator to house supply valve is kinked.	The tubing can kink when the refrigerator is moved during installation or cleaning resulting in reduced water flow. Straighten or repair the water supply line and arrange it to prevent future kinks.
	The house water supply is not connected, the valve is not turned on fully, or the valve is clogged.	Connect refrigerator to the water supply and turn the water shutoff valve fully open. If the problem persists, it may be necessary to contact a plumber.

ICE & WATER

Problem	Possible Causes	Solutions
Ice has bad taste or odor.	Water supply contains minerals such as sulfur.	A water filter may need to be installed to eliminate taste and odor problems. NOTE: In some cases, a filter may not help. It may not be possible to remove all minerals / odor / taste in all water supplies.
	Icemaker was recently installed.	Discard the first few batches of ice to avoid discolored or bad tasting ice.
	Ice has been stored for too long.	Ice that has been stored for too long will shrink, become cloudy, and may develop a stale taste. Throw away old ice and make a new supply.
	The food has not been stored properly in either compartment.	Rewrap the food. Odors may migrate to the ice if food is not wrapped properly.
	The interior of the refrigerator needs to be cleaned.	See the Care and Cleaning section for more information.
	The ice storage bin needs to be cleaned.	Empty and wash the bin (discard old cubes). Make sure that the bin is completely dry before reinstalling it.
Dispensing warm water.	Refrigerator was recently installed.	Allow 24 hours after installation for the water storage tank to cool completely.
	The water dispenser has been used recently and the storage tank was exhausted.	Depending on your specific model, the water storage capacity will range from approximately 20 to 30 oz.
	Dispenser has not been used for several hours.	If the dispenser has not been used for several hours, the first glass dispensed may be warm. Discard the first 10 oz.
	Refrigerator is connected to the hot water supply.	Make sure that the refrigerator is connected to a cold water pipe. ⚠ WARNING: Connecting the refrigerator to a hot water line may damage the icemaker.
Water has bad taste or odor.	Water supply contains minerals such as sulfur.	A water filter may need to be installed to eliminate taste and odor problems.
	Water filter has been exhausted.	It is recommended that you replace the water filter: <ul style="list-style-type: none"> • Approximately every 6 months. • When the water filter indicator turns on. • When the water dispenser output decreases. • When the ice cubes are smaller than normal.
	Refrigerator was recently installed.	Dispense 2.5 gallons of water (flush for approximately 5 minutes) to remove trapped air and contaminants from the system. Do not dispense the entire 2.5 gallon amount continuously. Depress and release the dispenser pad for cycles of 30 seconds ON and 60 seconds OFF.
Icemaker is making too much ice.	Icemaker shutoff (feeler arm) is obstructed.	Empty the ice bin. If your icemaker is equipped with an ice shutoff arm, make sure that the arm moves freely. Reinstall the ice bin and wait 24 hours to confirm proper operation.

Problem	Possible Causes	Solutions
Clicking	The defrost control will click when the automatic defrost cycle begins and ends. The thermostat control (or refrigerator control on some models) will also click when cycling on and off.	Normal Operation
Rattling	Rattling noises may come from the flow of refrigerant, the water line on the back of the unit, or items stored on top of or around the refrigerator.	Normal Operation
	Refrigerator is not resting solidly on the floor.	Floor is weak or uneven or leveling legs need to be adjusted. See the Door Alignment section.
	Refrigerator with linear compressor was jarred while running.	Normal Operation
Whooshing	Evaporator fan motor is circulating air through the refrigerator and freezer compartments.	Normal Operation
	Air is being forced over the condenser by the condenser fan.	Normal Operation
Gurgling	Refrigerant flowing through the cooling system.	Normal Operation
Popping	Contraction and expansion of the inside walls due to changes in temperature.	Normal Operation
Sizzling	Water dripping on the defrost heater during a defrost cycle.	Normal Operation
Vibrating	If the side or back of the refrigerator is touching a cabinet or wall, some of the normal vibrations may make an audible sound.	To eliminate the noise, make sure that the sides and back cannot vibrate against any wall or cabinet.
Dripping	Water running into the drain pan during the defrost cycle.	Normal Operation
Pulsating or High-Pitched Sound	Your refrigerator is designed to run more efficiently to keep your food items at the desired temperature. The high efficiency compressor may cause your new refrigerator to run longer than your old one, but it is still more energy efficient than previous models. While the refrigerator is running, it is normal to hear a pulsating or high-pitched sound.	Normal Operation

PARTS & FEATURES

Problem	Possible Causes	Solutions
Doors will not close correctly or pop open.	Food packages are blocking the door open.	Rearrange food containers to clear the door and door shelves.
	Ice bin, crisper cover, pans, shelves, door bins, or baskets are out of position.	Push bins all the way in and put crisper cover, pans, shelves and baskets into their correct positions. See the Using Your Refrigerator section for more information.
	The doors were removed during product installation and not properly replaced.	Remove and replace the doors according to the Removing and Replacing Refrigerator Handles and Doors section.
	Refrigerator is not leveled properly.	See Door Alignment in the Refrigeration Installation section to level refrigerator.
Doors are difficult to open.	The gaskets are dirty or sticky.	Clean the gaskets and the surfaces that they touch. Rub a thin coat of appliance polish or kitchen wax on the gaskets after cleaning.
	Door was recently closed.	When you open the door, warmer air enters the refrigerator. As the warm air cools, it can create a vacuum. If the door is hard to open, wait one minute to allow the air pressure to equalize, then see if it opens more easily.
Refrigerator wobbles or seems unstable.	Leveling legs are not adjusted properly.	Refer to the Leveling and Door Alignment section.
	Floor is not level.	It may be necessary to add shims under the leveling legs or rollers to complete installation.
Lights do not work.	LED interior lighting failure.	The refrigerator compartment lamp is LED interior lighting, and service should be performed by a qualified technician. Refer to the Light Bulb Replacement section.
Refrigerator has an unusual odor.	The Air Filter may need to be set to the MAX setting or replaced.	Set the Air Filter to the MAX setting. If the odor does not go away within 24 hours, the filter may need to be replaced. See the Replacing the Air Filter section for replacement instructions.
The interior of the refrigerator is covered with dust or soot.	The refrigerator is located near a fire source, such as a fireplace, chimney or candle.	Make sure that the refrigerator is not located near a fire source, such as a fireplace, chimney or candle.

DIAGNOSTICS

Diagnostics (On some models)

Should you experience any problems with your refrigerator, it has the capability of transmitting data via your telephone to the Diagnostics Team. This gives you the capability of speaking directly to our trained specialists. The specialist records the data transmitted from your machine and uses it to analyze the issue, providing a fast active diagnosis.

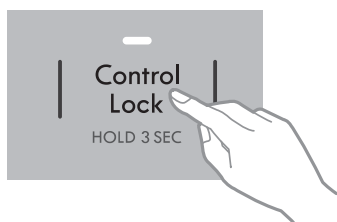
If you experience problems with your refrigerator, call 1-844-553-6667. Only use the Diagnostics feature when instructed to do so by the Diagnostics Team agent. The transmission sounds that you will hear are normal and sound similar to a fax machine.

Diagnostics cannot be activated unless your refrigerator is connected to power. If your refrigerator is unable to turn on, then troubleshooting must be done without using Diagnostics.

Using Diagnostics

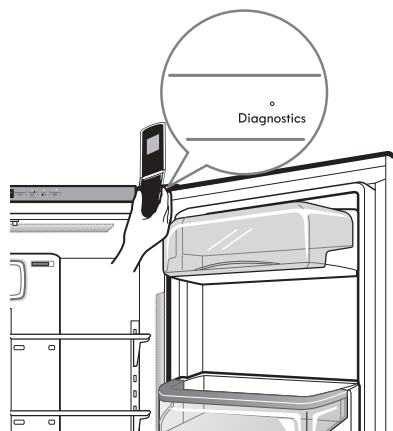
First, call 1-844-553-6667. If the number of the phone you are using is on file and is associated with your refrigerator, you will be quickly relayed to a Diagnostics team agent. Only use the Diagnostics feature when instructed to do so by the Diagnostics Team agent.

1. Lock the display. To lock the display, press and hold the Control Lock button for three seconds. (If the display has been locked for over five minutes, you must deactivate the lock and then reactivate it.)

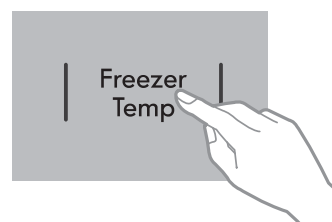


2. Open the right refrigerator door.

3. Hold the mouthpiece of your phone in front of the speaker that is located on the right hinge of the refrigerator door, when instructed to do so by the call center.



4. Press and hold the Freezer Temp button for three seconds while continuing to hold your phone to the speaker.



5. After you hear three beeps, release the Freezer Temp button.
6. Keep the phone in place until the tone transmission has finished. The display will count down the time. Once the countdown is over and the tones have stopped, resume your conversation with the specialist, who will then be able to assist you in using the information transmitted for analysis.

NOTE:

- For best results, do not move the phone while the tones are being transmitted.
- If the call center agent is not able to get an accurate recording of the data, you may be asked to try again.

ÍNDICE

Garantía	52
Instrucciones de seguridad importantes	54-56
Requisitos eléctricos y de conexión a tierra	56
Componentes y características	57-58
Instalación del refrigerador	59-66
Desembalaje del refrigerador	59
Instalación	60
Desmontaje y colocación de las manijas y puertas del congelador.....	61-65
Nivelación y alineación de las puertas	66
Uso del refrigerador	67-82
Ajuste de los controles	67-69
Funciones Inteligentes.....	70
Instrucciones de Smart Grid.....	71
Aviso de la FCC	72
Depósito de hielo del interior de la puerta.....	73
Máquina de hielo automática	74-75
Guía para el almacenamiento de alimentos	76
► Sección refrigerador	
Dispensador de agua	77
Estantes del refrigerador	78
Cajón con control de humedad.....	79
Cajón dispensero con control de temperatura	79
Bandejas de puerta	79
PreView Grab-N-Go	80
Montaje De Caja Grab-N-Go	80
Reemplazo del filtro de aire	81
► Sección congelador	
Depósito de hielo adicional	81
Cajón extraíble.....	82
Durabase	82
Divisor Durabase.....	82
Filtro de agua	83-85
Cuidado y limpieza	86-87
Sugerencias generales de limpieza	86
Exterior	86
Paredes interiores.....	86
Revestimiento de las puertas y juntas.....	86
Piezas de plástico	86
Bobinas del condensador	86
Sustitución de la bombilla	87
Interrupciones de alimentación.....	87
Cuando se va de vacaciones	87
Cuando se muda	87
Conexión de la tubería de agua	88-90
Guía para la solución de problemas	91-98
Diagnostics (Diagnósticos)	99
Servicio técnico	Contraportada



GARANTÍA DEL REFRIGERADOR

GARANTÍA LIMITADA KENMORE ELITE

Con el COMPROBANTE DE COMPRA, la siguiente cobertura de garantía aplica cuando este electrodoméstico se instala, opera y mantiene correctamente, de acuerdo con todas las instrucciones proporcionadas.

Un Año de Garantía en el Electrodoméstico

Este aparato tiene garantía por defectos en el material o mano de obra DURANTE UN AÑO a partir de la fecha de venta. Si el aparato está defectuoso, recibirá la reparación sin costo. Si el aparato no puede repararse, será reemplazado sin costo. La cobertura de garantía completa aplica solamente por 90 días a partir de la fecha de venta si el electrodoméstico se usa con fines distintos del uso doméstico.

Cinco Años de Garantía en el Sistema Refrigerante Sellado

El sistema refrigerante sellado tiene garantía por defectos en el material o mano de obra DURANTE CINCO AÑOS a partir de la fecha de venta.* Si aparecen defectos en alguna pieza del sistema dentro del primer año, se le proporcionará e instalará una nueva sin costo. Si aparece un defecto en una pieza del sistema después del primer año, se le proporcionará una pieza nueva, pero no se le instalará sin costo. Usted será responsable del costo del trabajo que implica la instalación de la pieza después del primer año a partir de la fecha de venta. La cobertura de garantía completa aplica solamente por un año a partir de la fecha de venta si el electrodoméstico se usa con fines distintos del uso doméstico. *Los defectos deben ser verificados por un representante de servicio autorizado de Sears.

Diez Años en el Compresor Lineal

dos años a partir de la fecha de venta si el electrodoméstico se usa con fines distintos del uso doméstico. El compresor lineal de este electrodoméstico tiene garantía por defectos en el material o mano de obra DURANTE DIEZ AÑOS a partir de la fecha de venta.* Si aparecen defectos en el compresor dentro del primer año, se le proporcionará e instalará uno nuevo sin costo. Si aparece un defecto en el compresor después del primer año, se le proporcionará uno nuevo, pero no se le instalará sin costo. Usted será responsable del costo del trabajo que implica la instalación de la pieza después del primer año a partir de la fecha de venta. La cobertura de garantía completa aplica solamente por dos años a partir de la fecha de venta si el electrodoméstico se usa con fines distintos del uso doméstico. *Los defectos deben ser verificados por un representante de servicio autorizado de Sears.

Garantía de por Vida en Cajones de Almacenamiento

DURANTE EL TIEMPO QUE SE USE desde la fecha de venta, se proporcionará el cambio sin costo por un cajón de almacenamiento o compartimiento defectuoso del refrigerador o congelador.* Si aparece un defecto dentro del primer año, se le instalará sin costo un nuevo contenedor para la puerta. Si aparece un defecto después del primer año, se le proporcionará un nuevo contenedor, pero no se le instalará sin costo. Esta garantía de por vida cubre los contenedores y no aplica a ningún otro componente o mecanismo relacionado. Usted será responsable del costo del trabajo que implica la instalación del contenedor después del primer año a partir de la fecha de venta. La cobertura de garantía aplica solamente por 90 días a partir de la fecha de venta si este electrodoméstico se usa con fines distintos del uso doméstico. *Los defectos deben ser verificados por un representante de servicio autorizado de Sears.

Para conocer los detalles de cobertura de la garantía y obtener reparación o cambio sin costo, visite el sitio web: www.kenmore.com/warranty

Esta garantía SOLO cubre defectos en el material y la mano de obra y NO cubrirá lo siguiente:

1. Elementos prescindibles que pueden desgastarse por el uso normal y que incluyen, entre otros, filtros, correas, bolsas o focos con base de rosca.
2. Un técnico de servicio limpiará o le dará mantenimiento al electrodoméstico, o le indicará al usuario la forma correcta de instalarlo, operarlo o darle mantenimiento.
3. Llamadas de servicio para corregir la instalación del electrodoméstico no realizada por agentes de servicio autorizados de Sears o para reparar problemas con fusibles del hogar, interruptores, cableado doméstico y sistemas de suministro de agua o gas provocados por dicha instalación.
4. Daño o falla de este electrodoméstico causado por la instalación no realizada por agentes de servicio autorizado de Sears, que incluye el hecho de que la instalación no se haya realizado según los códigos eléctricos, de gas o de plomería.
5. Daño o falla de este electrodoméstico, que incluya cambio de color o corrosión de la superficie si no se opera o se le da mantenimiento de acuerdo con todas las instrucciones proporcionadas.
6. Daño o falla de este electrodoméstico, que incluya cambio de color o corrosión de la superficie provocados por un accidente, alteración, abuso, mal uso o el uso contrario al previsto.
7. Daño o falla de este electrodoméstico, que incluya cambio de color o corrosión de la superficie causado por el uso de detergentes, limpiadores, productos químicos o utensilios distintos de los recomendados en todas las instrucciones proporcionadas con el producto.
8. Daño o falla de las partes o sistemas provocado por modificaciones no autorizadas al electrodoméstico.
9. Servicio brindado a un electrodoméstico si faltan el modelo y la placa del número de serie, están alterados o no se puede determinar fácilmente si tienen el logotipo de certificación apropiado.

Aviso de garantías implícitas, limitación de recursos

El único y exclusivo recurso del cliente según esta garantía limitada será la reparación o el cambio del producto según se establece en el presente. Las garantías implícitas, que incluyen las garantías de comerciabilidad o aptitud para un fin en particular están limitadas a un año en el electrodoméstico, cinco años en el sistema refrigerante sellado, diez años en el compresor lineal, y el tiempo que se use en los contenedores de almacenamiento, o el periodo más corto permitido por ley. Los vendedores no pueden ser responsables de daños incidentales o consecuenciales. Algunos estados no permiten la exclusión o limitación de daños incidentales o consecuenciales, o las limitaciones sobre la duración de una garantía implícita, de modo que estas exclusiones o limitaciones pueden no aplicarle a usted.

Esta garantía aplica solamente cuando el electrodoméstico se utilice en los Estados Unidos.

Esta garantía le otorga derechos legales específicos y usted también puede tener otros derechos que varían de un estado a otro.

Sears Brands Management Corporation, Hoffman Estates, IL 60179

REGISTRO DEL PRODUCTO

En el espacio siguiente, anote la fecha de la compra, el modelo y el número de serie del producto. Encontrará el modelo y el número de serie impreso en la placa de identificación situada en el revestimiento interior del compartimiento del refrigerador. Tenga esta información a mano siempre que se ponga en contacto con Sears en relación con su producto.

N.º de modelo _____

Fecha de compra _____

N.º de serie. _____

Guarde estas instrucciones y su ticket de compra para futuras consultas.

INSTRUCCIONES IMPORTANTES SOBRE SEGURIDAD

PRECAUCIONES BÁSICAS DE SEGURIDAD

Este manual contiene muchos mensajes de seguridad importantes. **Lea y cumpla** siempre todos los mensajes de seguridad.



Éste es el símbolo de alerta de seguridad. Le avisa de mensajes de seguridad que le informan de peligros de muerte o lesiones para usted o los demás, o que puedan dañar el producto.

Todos los mensajes de seguridad estarán precedidos del símbolo de alerta de seguridad y de las palabras de señal de peligro PELIGRO, ADVERTENCIA o PRECAUCIÓN. Estas palabras significan:

! PELIGRO

Si no respeta las instrucciones, **morirá o sufrirá lesiones graves.**

! ADVERTENCIA

Si no respeta las instrucciones, **podría morir o sufrir lesiones graves.**

! PRECAUCIÓN

Indica una situación de peligro inminente que, si no se evita, **podría** provocar lesiones leves o moderadas, o daños en el producto.

Todos los mensajes de seguridad le indicarán el peligro, lo que debe hacer para reducir la probabilidad de lesiones y lo que puede ocurrirle si no se siguen las instrucciones.

! ADVERTENCIA

Para reducir el riesgo de incendio, descarga eléctrica o lesiones personales al utilizar el producto, se deben respetar una serie de precauciones de seguridad básicas, entre las que se incluyen las siguientes:

Lea todas las instrucciones antes de utilizar este electrodoméstico.

- NUNCA desenchufe el refrigerador tirando del cable de corriente. Agarre siempre el enchufe firmemente y tire del mismo para retirarlo de la toma de corriente.
- Si el cable de alimentación se encuentra dañado deberá ser sustituido por el fabricante, por un servicio técnico autorizado o personal cualificado para evitar riesgos innecesarios. No use un cable con grietas o abrasiones sobre su extensión o en los extremos del enchufe o conector.
- No modifique ni alargue la longitud del cable de corriente, ya que podría causar una descarga eléctrica o provocar un incendio.
- Cuando separe el refrigerador de la pared, tenga cuidado de no torcer o dañar el cable de alimentación.

- NO guarde ni utilice gasolina ni ningún otro gas o líquido inflamable cerca de este electrodoméstico o de cualquier otro.
- NO permita que los niños escalen, se monten o se cuelguen de las puertas o estantes del refrigerador. Podrían dañar el refrigerador o sufrir lesiones graves.
- Mantenga los dedos lejos de los puntos de riesgo de pinzamiento; las distancias de separación entre las puertas y los gabinetes son necesariamente pequeños. Tenga especial cuidado al cerrar las puertas cuando haya niños cerca.
- Desenchufe el refrigerador antes de limpiar o realizar cualquier reparación.

NOTA: Se recomienda encarecidamente que cualquier reparación sea realizada por un técnico cualificado.

GUARDE ESTAS INSTRUCCIONES

! ADVERTENCIA

- Antes de sustituir una bombilla fundida o rota, desenchufe el refrigerador o corte la corriente en el disyuntor o caja de fusibles con el fin de evitar el contacto con un cable con corriente. (Una bombilla fundida puede romperse en el momento de cambiarla, por lo que queda expuesto un cable con corriente).

NOTA: Algunos modelos disponen de iluminación interior mediante LED, por lo que el mantenimiento deberá ser realizado por un técnico cualificado.

ADVERTENCIA: Poner uno o ambos controles en posición de apagado (OFF) no corta la alimentación de circuito de iluminación.

- Cuando haya terminado, vuelva a conectar el refrigerador a la red eléctrica y restablezca los controles (Termostato, Control del refrigerador y/o Control del congelador, en función del modelo) al ajuste deseado.
- Este refrigerador se debe instalar correctamente de acuerdo con las **instrucciones importantes para el instalador** incluidas en la hoja adhesiva pegada al frontal del refrigerador.
- Cuando el refrigerador esté en funcionamiento, no toque las superficies frías del compartimiento del congelador con las manos húmedas o mojadas. La piel se podría adherir a las superficies extremadamente frías.
- Si se conecta a un circuito protegido con fusibles, utilice un fusible de retardo.

- NO toque el mecanismo de fabricación automática de hielo mientras esté el refrigerador enchufado.
- NO vuelva a congelar alimentos congelados que se hayan descongelado completamente. El Departamento de Agricultura de Estados Unidos, en el boletín n.º 69 de Casa y jardín, dice:

...Se pueden volver a congelar con seguridad alimentos congelados que se hayan descongelado si aún contienen cristales de hielo o si aún siguen fríos: por debajo de los 4 °C.

...La carne picada, la carne de ave o el pescado descongelados cuyo olor o color indiquen mal estado no deberían volver a congelarse ni deberían comerse. El helado descongelado se debe desechar. Si el olor o el color de cualquier alimento ha perdido frescura o es cuestionable, deséchelo. Comer este tipo de alimentos puede ser peligroso.

Incluso si se descongela parcialmente un alimento y se vuelve a congelar, su calidad alimenticia se ve reducida, particularmente si se trata de frutas, verduras y comida preparada. La calidad alimenticia de las carnes rojas se ve menos afectada que la de la mayoría de alimentos. Utilice los alimentos recongelados lo antes posible para salvaguardar el máximo de calidad.

- No use este electrodoméstico para fines especiales, como para conservar medicamentos o materiales de ensayo, usar en barcos, etc.
- No golpee ni aplique demasiada fuerza en las superficies de vidrio. No toque las superficies de vidrio si están agrietadas o rotas.

! ADVERTENCIA : Este producto contiene químicos conocidos por el Estado de California como causantes de cáncer y defectos de nacimiento u otros daños reproductivos. *Lávese las manos después de usarlo.*

GUARDE ESTAS INSTRUCCIONES

! PELIGRO: RIESGO DE ATRAPAMIENTO DE NIÑOS

Los refrigeradores desechados o abandonados son peligrosos, incluso si sólo es por unos pocos días. Si va a deshacerse de su antiguo refrigerador, le recomendamos que siga las instrucciones que encontrará a la derecha para evitar posibles accidentes (atrapamiento de niños y asfixia).



ANTES DE DESECHAR SU ANTIGUO REFRIGERADOR O CONGELADOR:

- Desmonte las puertas.
- Deje los estantes en su sitio para que los niños no puedan trepar con facilidad al interior.

ELIMINACIÓN DE CFC

Es posible que su antiguo refrigerador tenga un sistema de refrigeración que use CFC (clorofluorocarbonos). Se cree que los CFC son perjudiciales para el ozono estratosférico.

Si va a desechar su antiguo refrigerador, asegúrese de que un técnico cualificado se encargue de retirar el refrigerante de CFC para su adecuada eliminación. Si de forma intencionada libera este refrigerante de CFC, podría estar sujeto a multas y penas de prisión según lo previsto en la legislación medioambiental.

REQUISITOS ELÉCTRICOS Y DE CONEXIÓN A TIERRA

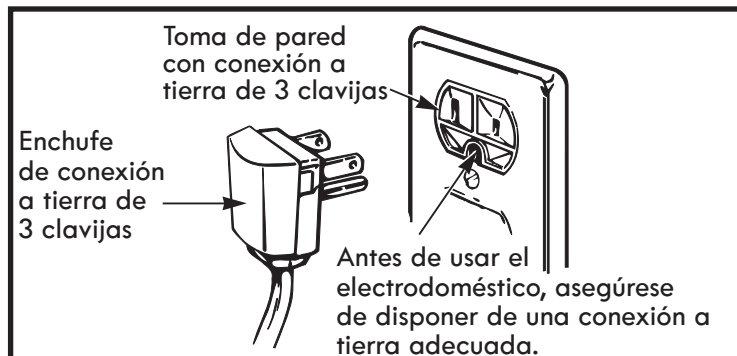
IMPORTANTE: Lea atentamente la siguiente información.

PARA CONECTAR LA ELECTRICIDAD

⚠ ADVERTENCIA

Riesgo de descargas eléctricas

POR MOTIVOS DE SEGURIDAD PERSONAL, este electrodoméstico debe estar conectado a tierra adecuadamente. Solicite a un electricista cualificado que compruebe la toma de corriente y el circuito eléctrico para asegurarse de que la toma de corriente está correctamente conectada a tierra.



MÉTODO DE CONEXIÓN A TIERRA RECOMENDADO

El refrigerador debe estar siempre enchufado a su toma de corriente individual conectada a tierra adecuadamente con una tensión nominal de 115 voltios, 60 Hz, sólo CA, y protegida mediante fusible a 15 ó 20 amperios. Esta configuración proporciona el mejor rendimiento y, al mismo tiempo, evita la sobrecarga de la instalación eléctrica de la casa que podría provocar un peligro de incendio debido a un sobrecalentamiento de los cables. Se recomienda disponer de un circuito independiente para la exclusiva alimentación de este electrodoméstico.

Use un receptáculo que no se pueda apagar con un interruptor o una cadena de tracción. No utilice un alargador de corriente.

Si únicamente se dispone de una toma de corriente de 2 clavijas, será responsabilidad y obligación suya sustituirla por otra de 3 clavijas con una conexión a tierra adecuada.

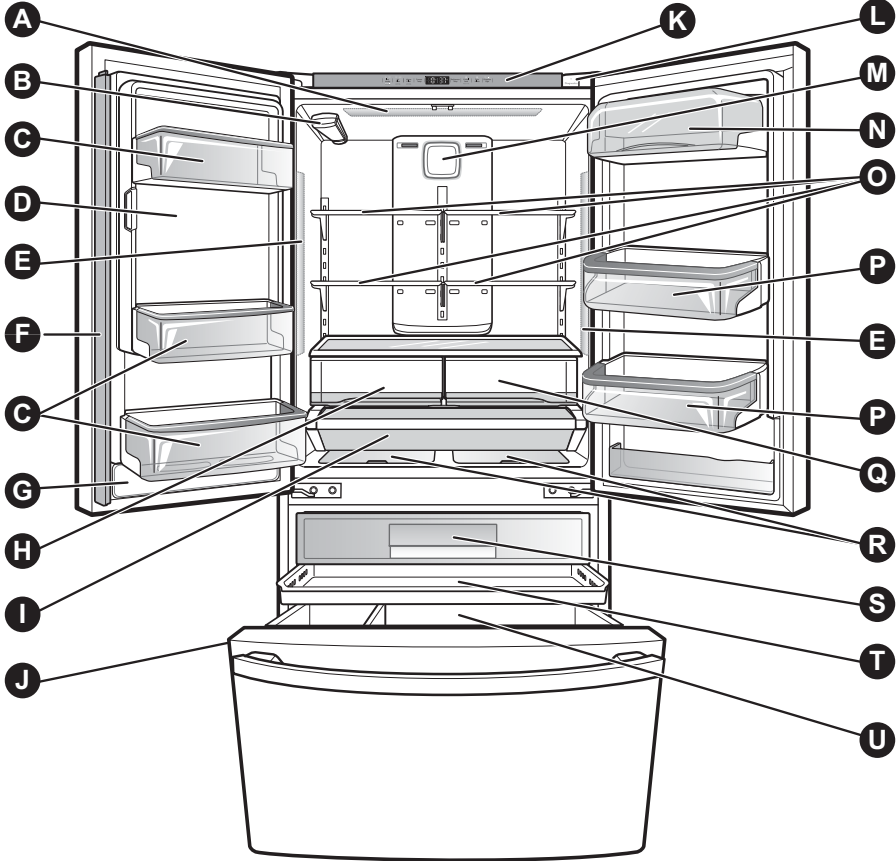
USO DE CABLES ALARGADORES

Debido a los posibles peligros de seguridad que se pueden producir bajo ciertas condiciones, no se recomienda el uso de un cable alargador. Sin embargo, si a pesar de ello elige usar un cable alargador, es absolutamente necesario que sea un cable alargador para electrodomésticos de 3 clavijas con conexión a tierra y clasificación UL (EE. UU.), que disponga de un enchufe y una toma de corriente con conexión a tierra, y que la clasificación eléctrica del cable sea de 15 amperios (mínimo) y 120 voltios.

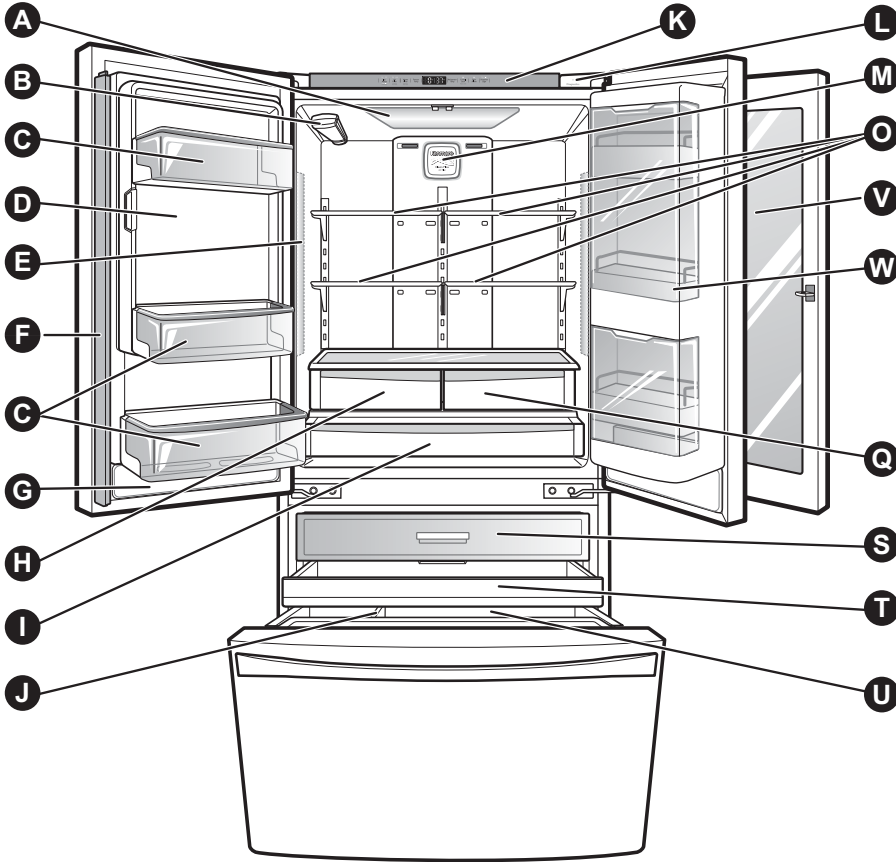
El uso de un cable alargador aumentará la separación necesaria para la parte posterior del refrigerador.

COMPONENTES Y CARACTERÍSTICAS

- Puerta estándar



- PreView Grab-N-Go

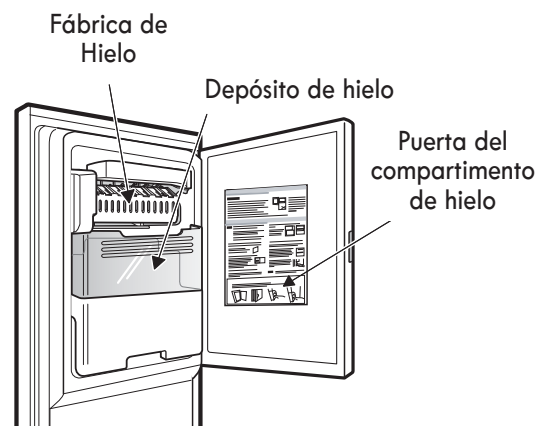


COMPONENTES Y CARACTERÍSTICAS

Use esta página para familiarizarse con los componentes y características del refrigerador. Para su comodidad, se incluyen referencias a las páginas.

NOTA: Esta guía cubre varios modelos distintos. El refrigerador que ha adquirido puede tener algunos o todos los componentes que se enumeran a continuación. Es posible que las ubicaciones de las características que se indican no coincidan con su modelo.

- A** Luz del refrigerador
- B** Filtro de agua (interior)
- C** Bandejas de puerta fijas
- D** Compartimento de hielo (Máquina de hielo y depósito de hielo)
- E** Refrigerador de luz
- F** Parteluz articulado
- G** Tapa del depósito de agua
- H** Cajón con control de humedad
- I** Cajón dispensero con control de temperatura
- J** Divisor Durabase
- K** Panel de control
- L** Altavoz de diagnósticos
- M** Filtro de aire
- N** Bandeja para lácteos
- O** Estantes del refrigerador
- P** Bandejas de puerta ajustables
- Q** Cajón hermético
- R** Cajón extraíble Top
- S** Medio cajón extraíble
- T** Durabase
- V** PreView Grab-N-Go
- W** Compartimiento Grab-N-Go



INSTALACIÓN DEL REFRIGERADOR

ADVERTENCIA

Riesgo de peso excesivo:

El desplazamiento e instalación del refrigerador deben realizarse entre dos o más personas. Si no se respeta esta advertencia, se podrán producir lesiones en la espalda o de otro tipo.

ADVERTENCIA

Riesgo de peso excesivo:

Su refrigerador es muy pesado. Al desplazarlo para su limpieza o mantenimiento, asegúrese de proteger el suelo. Siempre debe tirar del refrigerador en línea recta cuando los desplace. No menee ni zigzaguee el refrigerador al tratar de desplazarlo, ya que esto puede dañar el suelo.

DESEMBALAJE DEL REFRIGERADOR

Antes de su uso, retire la cinta adhesiva y todas las etiquetas temporales del refrigerador. No retire las etiquetas que indican advertencias, la etiqueta de modelo y número de serie ni la Hoja técnica que está ubicada debajo del frontal del refrigerador, detrás de la rejilla de la base.

Para retirar los restos de pegamento o cinta adhesiva, frote enérgicamente el área con el pulgar. Los residuos de pegamento o cinta adhesiva también se pueden retirar fácilmente frotando con los dedos una pequeña cantidad de lavavajillas líquido sobre el adhesivo. Aclare con agua templada y seque el área.

No utilice instrumentos afilados, alcohol desinfectante, líquidos inflamables ni limpiadores abrasivos para retirar la cinta adhesiva o el pegamento. Estos productos pueden dañar la superficie del refrigerador.

Los estantes del refrigerador están instalados en la posición de transporte. Vuelva a colocar los estantes de acuerdo con sus necesidades personales de almacenamiento.

ADVERTENCIA

Riesgo de explosión:

Mantenga los materiales o vapores inflamables, como la gasolina, lejos del refrigerador. Si no se respeta esta advertencia, existe peligro de explosión, incendio o muerte.

ADVERTENCIA

Conecte únicamente a un suministro de agua potable.

ANTES DE USAR

1. Limpie el refrigerador a fondo y quite todo el polvo acumulado durante el transporte.
2. Instale los accesorios como el depósito de cubito de hielo, los cajones, los estantes, etc., en su sitio. Están empaquetados juntos para evitar posibles daños durante el transporte.
3. Deje que el refrigerador esté en funcionamiento durante al menos dos o tres horas antes de almacenar comida dentro de él. Compruebe el flujo de aire frío en el compartimiento del congelador para asegurarse de que la refrigeración sea la adecuada. Su refrigerador ya está listo para su uso.

INSTALACIÓN

El refrigerador debe estar siempre enchufado a su toma de corriente individual conectada a tierra adecuadamente con una tensión nominal de 115 voltios, 60 Hz, sólo CA, y protegida mediante fusible a 15 ó 20 amperios. Esta configuración proporciona el mejor rendimiento y, al mismo tiempo, evita la sobrecarga de la instalación eléctrica de la casa que podría provocar un peligro de incendio debido a un sobrecalentamiento de los cables. Se recomienda disponer de un circuito independiente para la exclusiva alimentación de este electrodoméstico.

⚠ ADVERTENCIA

Riesgo de descarga:

Para reducir el riesgo de descarga eléctrica, no instale el refrigerador en un área húmeda ni mojada.

INSTALACIÓN (continuación)

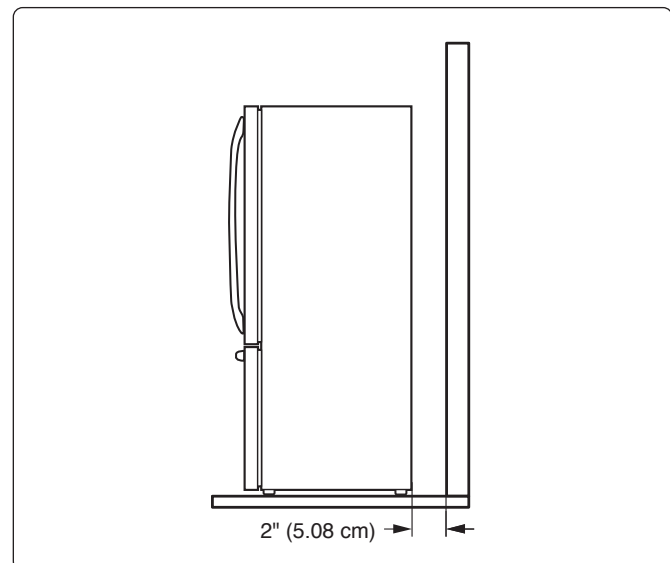
1. Para evitar el ruido y la vibración, es necesario nivelar la unidad e instalarla en un suelo sólidamente construido. Si es necesario, ajuste los pies de nivelación para compensar los desniveles del suelo. La parte delantera debe estar ligeramente más elevada que la posterior para ayudar al cierre de la puerta. Los pies de nivelación se pueden girar con facilidad inclinando ligeramente el aparato. Gire los pies de nivelación en sentido horario para elevar la unidad y en sentido antihorario para bajarla. (Consulte NIVELACIÓN Y ALINEACIÓN DE LAS PUERTAS).

NOTA: No se recomienda realizar la instalación sobre moqueta, superficies de baldosas flexibles, una plataforma o en una estructura con soporte inestable.

2. Instale este electrodoméstico en una zona donde la temperatura esté entre 13 °C (55 °F) y 43 °C (110 °F). Si la temperatura alrededor del electrodoméstico es demasiado baja o demasiado alta, la capacidad de refrigeración se verá gravemente afectada.
3. Seleccione un lugar en el que se pueda conectar fácilmente el suministro de agua para la máquina de hielo automática.

NOTA: La presión del agua debe ser 20-120 psi o 138-827 kPa o 1,4-8,4 kgf/cm². Si el refrigerador se instala en un área con baja presión de agua (menos de 20 psi) se puede instalar una bomba de carga para compensar la baja presión.

4. La distancia demasiado pequeña de superficies adyacentes puede minimizar la capacidad de congelación y aumentar los cargos de consumo eléctrico. Deje una distancia de 24 pulgadas (61 cm.) como mínimo al frente del refrigerador para poder abrir las puertas, y de al menos 2 pulgadas (5,08 cm.) entre la parte trasera del refrigerador y la pared.



NOTA: Siempre se recomienda desmontar las puertas cuando sea necesario desplazar el refrigerador a través de un espacio estrecho. Si es necesario desmontar las manijas, siga las instrucciones que se indican a continuación.

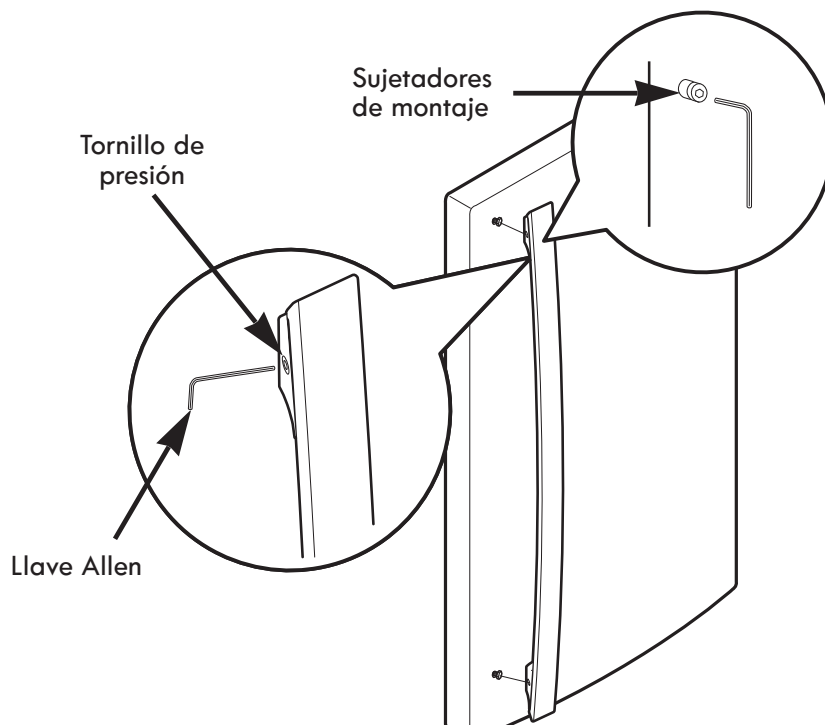
CÓMO DESMONTAR LA MANIJA DE LA PUERTA DEL REFRIGERADOR

NOTA: El aspecto de la manija puede ser distinto del que aparece en las ilustraciones de esta página.

Desmontaje de la manija del refrigerador

Afloje los tornillos de presión con una llave Allen de 2,5 mm ($3/32$ pulg.) y retire la manija.

NOTA: Si es necesario apretar o retirar los sujetadores de montaje de la manija, use una llave Allen de 6,4 mm ($1/4$ pulg.).



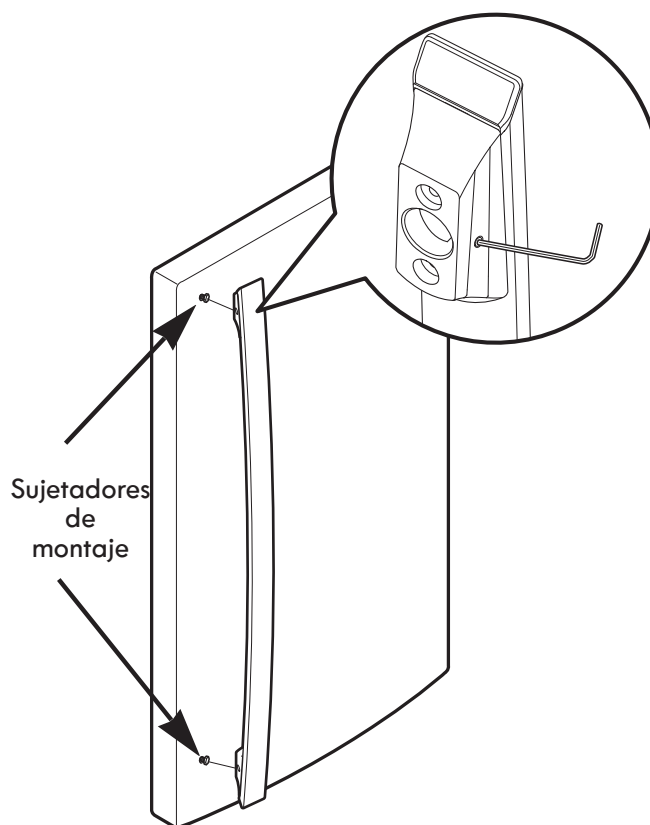
CÓMO SUSTITUIR LA MANIJA DE LA PUERTA DEL REFRIGERADOR

NOTA: El aspecto de la manija puede ser distinto del que aparece en las ilustraciones de esta página.

Sustitución de la manija de la puerta del refrigerador

Coloque la manija en la puerta ajustando las zonas de contacto de la manija coincidan sobre los sujetadores de montaje y apretando los tornillos de presión con una llave Allen de 2,5 cm ($3/32$ pulg.).

NOTA: Si es necesario apretar o retirar los sujetadores de montaje de la manija, use una llave Allen de 6,4 mm ($1/4$ pulg.).



INSTALACIÓN DEL REFRIGERADOR

NOTA: Siempre se recomienda desmontar las puertas cuando sea necesario desplazar el refrigerador a través de un espacio estrecho. Si es necesario desmontar las manijas, siga las instrucciones que se indican a continuación.

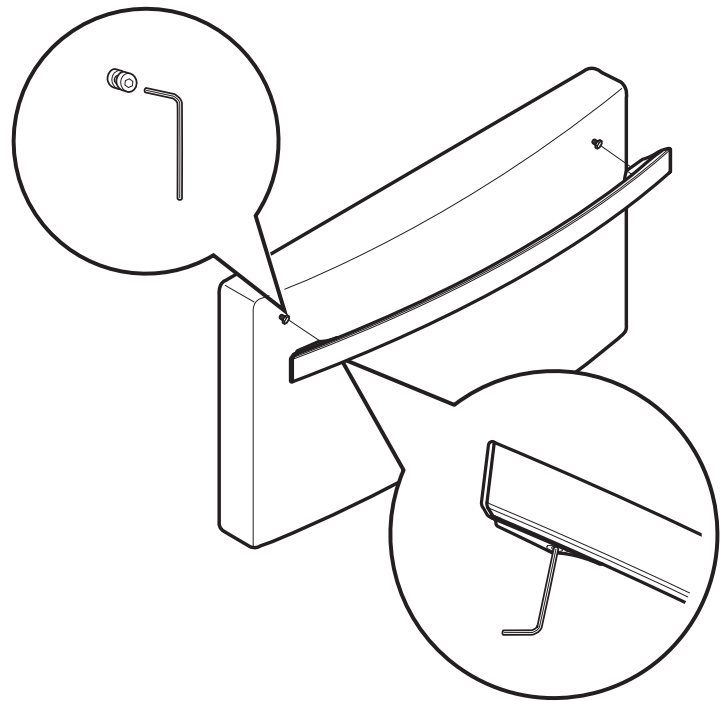
CÓMO DESMONTAR LA MANIJA DE LA PUERTA DEL CONGELADOR

NOTA: El aspecto de la manija puede ser distinto del que aparece en las ilustraciones de esta página.

Desmontaje de la manija del cajón del congelador

Afloje los tornillos de presión ubicados en la parte inferior de la manija con una llave Allen de 3,1 mm ($\frac{1}{8}$ pulg.) y retire la manija.

NOTA: Si es necesario apretar o retirar los sujetadores de montaje de la manija, use una llave Allen de 6,4 mm ($\frac{1}{4}$ pulg.).



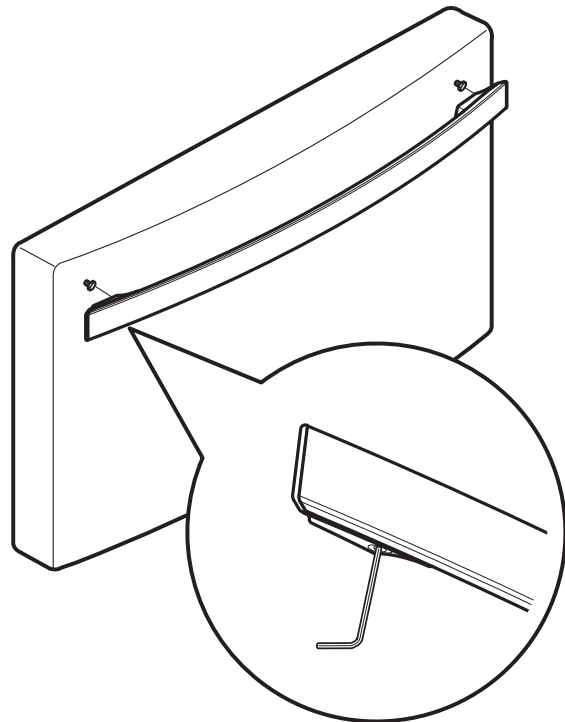
CÓMO SUSTITUIR LA MANIJA DE LA PUERTA DEL CONGELADOR

NOTA: El aspecto de la manija puede ser distinto del que aparece en las ilustraciones de esta página.

Sustitución de la manija del cajón del congelador

Coloque la manija en la puerta ajustando las zonas de contacto de la manija coincidan sobre los sujetadores de montaje y apretando los tornillos de presión con una llave Allen de 3,1 mm ($\frac{1}{8}$ pulg.).

NOTA: Si es necesario apretar o retirar los sujetadores de montaje de la manija, use una llave Allen de 6,4 mm ($\frac{1}{4}$ pulg.).



⚠ ADVERTENCIA

Para el montaje o desmontaje de los tiradores:

- Sujete el tirador con fuerza para evitar que se caiga o le cause lesiones.
- Evite que el tirador oscile cerca de personas o animales.
- Inserte el orificio de soporte del tirador en la tornillo de topoe de la puerta exactamente, y coloque los tornillos de sujeción para fijar el tirador en su posición.
- Compruebe que no haya ningún espacio entre la puerta y el tirador tras colocar éste en su posición.

DESMONTAJE Y SUSTITUCIÓN DE LAS PUERTAS DEL REFRIGERADOR

⚠️ ADVERTENCIA

Riesgo de peso excesivo:

El desplazamiento e instalación de las puertas del refrigerador deben realizarse entre dos o más personas. Si no se respeta esta advertencia, se podrán producir lesiones en la espalda o de otro tipo.

⚠️ ADVERTENCIA

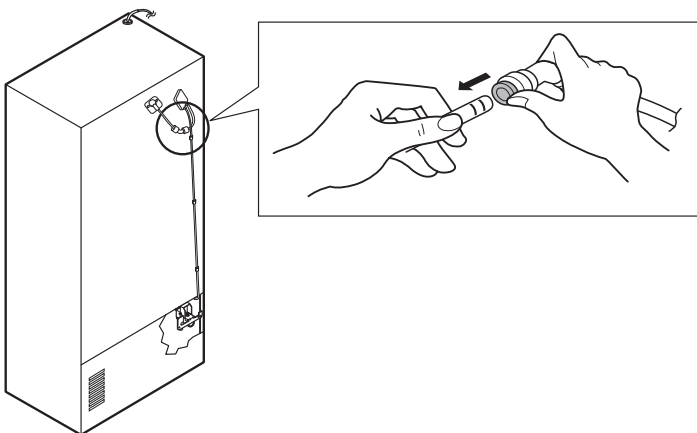
Riesgo de descargas eléctricas

- Desenchufe el suministro eléctrico al refrigerador antes de realizar la instalación. Si no se respeta esta advertencia, pueden producirse lesiones graves e incluso la muerte.
- No ponga las manos, pies ni ningún otro objeto en las rejillas de ventilación de aire, la rejilla de la base o debajo del refrigerador. Podría sufrir lesiones o recibir una descarga eléctrica.

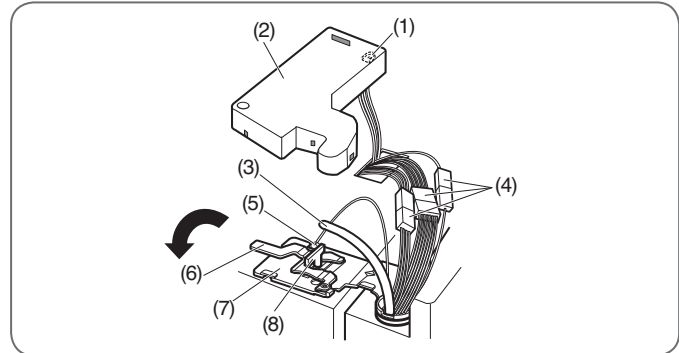
NOTA: Tenga cuidado cuando trabaje con la bisagra y la rejilla de la base. Podría sufrir alguna lesión.

Para desmontar la puerta izquierda del refrigerador:

En la parte posterior del refrigerador, saque el tubo de agua del adaptador de la virola situada en el conector presionando el anillo de liberación del adaptador (vea la imagen inferior).



⚠️ PRECAUCIÓN: Antes de comenzar, saque los alimentos y quite las bandejas de las puertas.

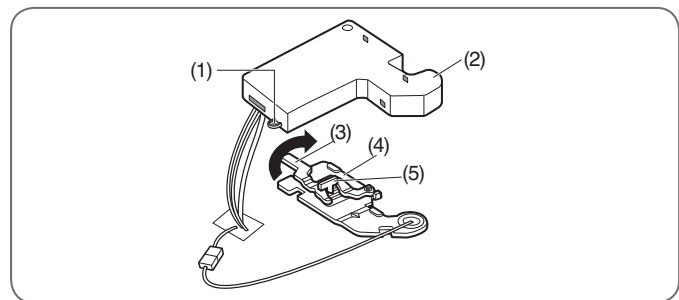


1. Abra la puerta. Retire el tornillo de la tapa de la bisagra superior (1).
2. Use un destornillador plano para hacer palanca y levantar los ganchos (no se ven en la imagen) situados en la parte inferior delantera de la tapa (2). Levante la tapa.
3. Retire la tapa. Saque el tubo (3).
4. Desconecte todos los mazos de cables (4).
5. Retire el tornillo de conexión a tierra (5).
6. Gire la palanca de la bisagra (6) en sentido antihorario. Levante la bisagra superior (7) libre del pestillo de palanca de la bisagra (8).

⚠️ PRECAUCIÓN: Cuando levante la bisagra libre del pestillo, tenga cuidado de que la puerta no se caiga hacia delante.

7. Levante la puerta del pasador de la bisagra central y retire la puerta.
8. Coloque la puerta, con el interior hacia arriba, sobre una superficie que no raye.

Para desmontar la puerta derecha del refrigerador:



1. Abra la puerta. Retire el tornillo de la tapa de la bisagra superior (1). Levante la tapa (2).
2. En el modelo PreView, desconecte todos los arneses de cables.
3. Gire la palanca de la bisagra (3) en sentido horario. Levante la bisagra superior (4) libre del pestillo de palanca de la bisagra (5).

⚠️ PRECAUCIÓN: Cuando levante la bisagra libre del pestillo, tenga cuidado de que la puerta no se caiga hacia delante.

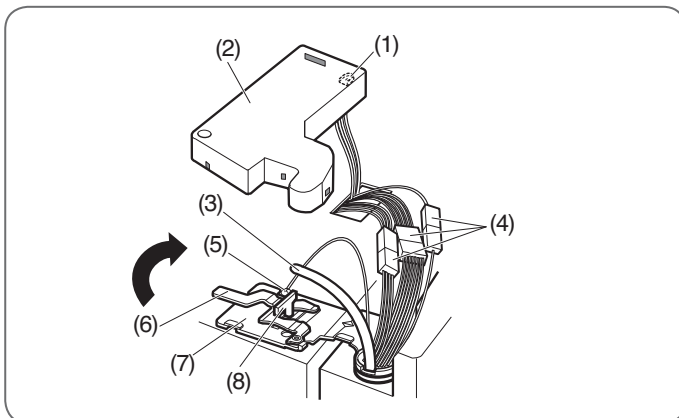
4. Levante la puerta del pasador de la bisagra central y retire la puerta.
5. Coloque la puerta, con el interior hacia arriba, sobre una superficie que no raye.

INSTALACIÓN DEL REFRIGERADOR

Reinstalación de la puerta del refrigerador

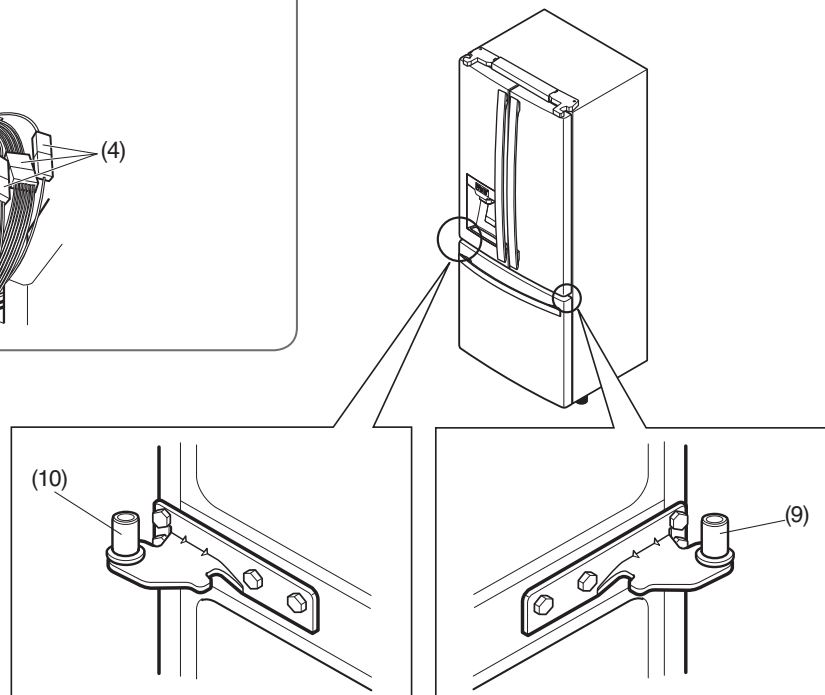
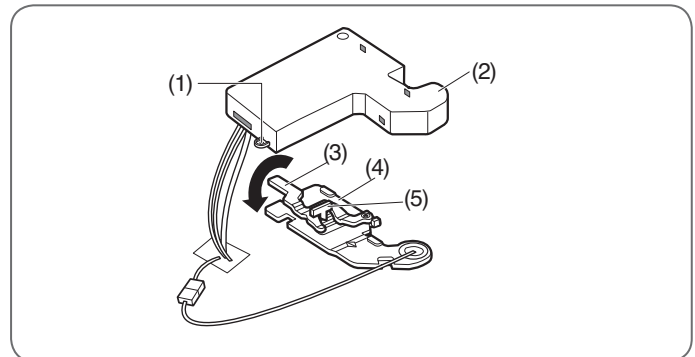
► Puerta izquierda

1. Baje la puerta hasta insertarla en el pasador de la bisagra central (10).
2. Encaje la bisagra superior (7) sobre el pestillo de palanca de la bisagra (8) y ajústela en su sitio. Gire la palanca (6) en sentido horario para bloquear la bisagra.
3. Instale el tornillo de conexión a tierra (5) y conecte los dos mazos de cables (4).
4. Empuje el tubo de agua (3) situado en la parte superior de la puerta izquierda dentro del agujero situado junto a la bisagra izquierda de la parte superior del aparato hasta que salga por la parte trasera.
5. Inserte el tubo de suministro de agua (3) dentro del conector hasta que sólo se vea un trazo de escala. Inserte completamente el tubo sobre 15 mm ($\frac{5}{8}$ pulg.).
6. Enganche las pestañas situadas en el lado izquierdo de la tapa de la bisagra (1) situada debajo del borde de la bisagra superior (7) y coloque la tapa en su sitio. Inserte y apriete el tornillo de la tapa (1).

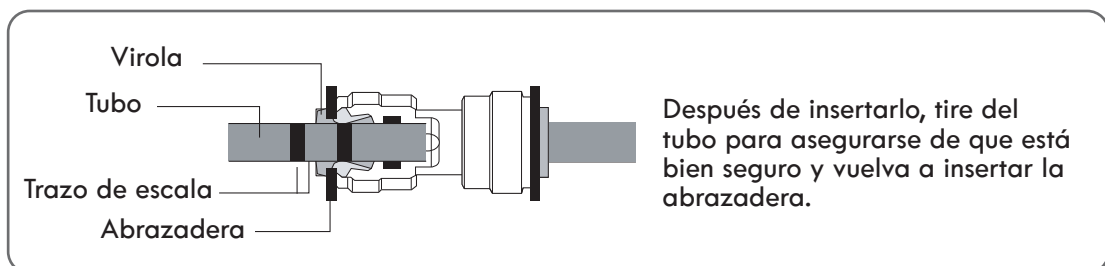


► Puerta derecha

1. Baje la puerta hasta insertarla en el pasador de la bisagra central (9).
2. Encaje la bisagra superior (4) sobre el pestillo de palanca de la bisagra (5) y ajústela en su sitio. Gire la palanca (3) en sentido antihorario para bloquear la bisagra.
3. Enganche las pestañas situadas en el lado derecho de la tapa de la bisagra (2) situada debajo del borde de la bisagra superior (4) y coloque la tapa en su sitio. Inserte y apriete el tornillo de la tapa (1).



⚠ PRECAUCIÓN



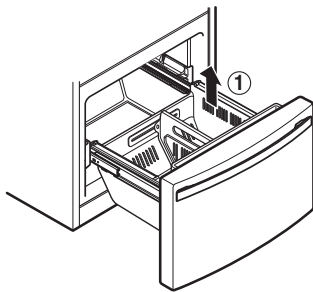
CÓMO DESMONTAR EL CAJÓN DEL CONGELADOR

⚠ ADVERTENCIA: El desplazamiento e instalación del cajón del congelador deben realizarse entre dos o más personas. Si no se respeta esta advertencia, se podrán producir lesiones en la espalda o de otro tipo.

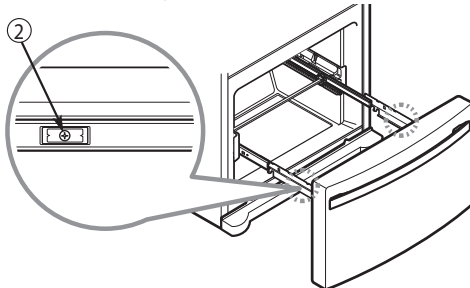
⚠ PRECAUCIÓN: No agarre la manija mientras desmonta o vuelve a colocar el cajón. La manija podría salirse y provocar lesiones personales.

NOTA: En las figuras siguientes, no se muestra el cajón extraíble situado por encima del cajón del congelador para que la imagen sea más clara.

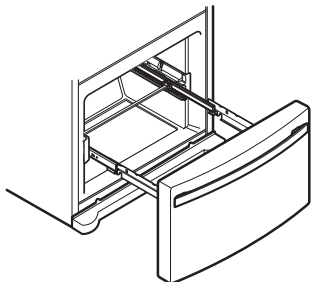
Saque el cajón todo lo posible. Retire la cesta inferior **1** levantándola del sistema de rieles.



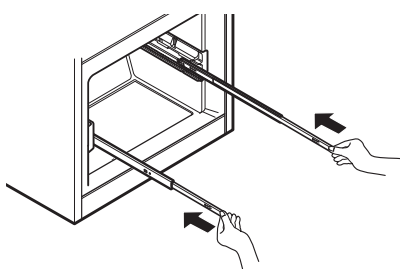
Retire los tornillos **2** del riel en ambos lados.



Sujete el cajón por cada lado y tire de él hacia arriba para separarlo de los rieles.

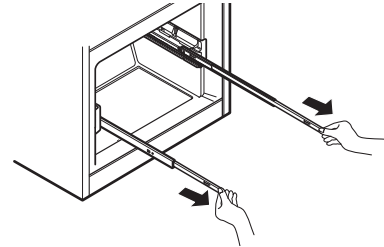


Con las dos manos, sujete la barra central y empújela hacia dentro de forma que ambos rieles se deslicen de forma simultánea.

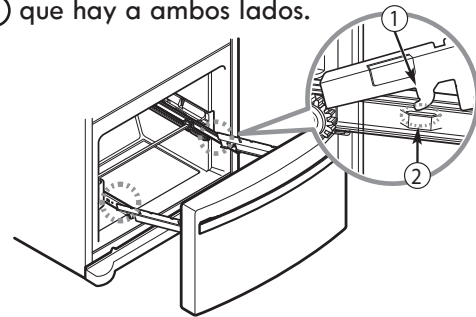


CÓMO INSTALAR EL CAJÓN DEL CONGELADOR

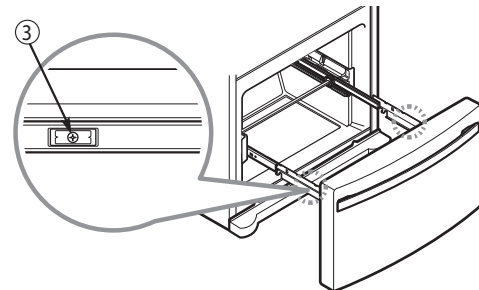
Con las dos manos, sujete la barra central y tire de ella hacia fuera hasta que ambos rieles queden completamente extendidos.



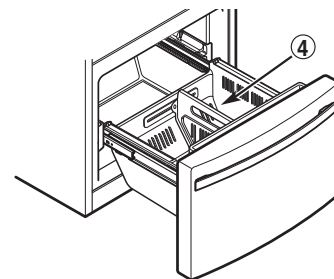
Sujete el cajón por cada lado y enganche los soportes de la puerta **1** para introducirlos en las pestañas de los rieles **2** que hay a ambos lados.



Baje la puerta hasta su posición final y apriete los tornillos **3** ubicados a ambos lados.



Con el cajón completamente sacado, inserte la cesta inferior **4** en la estructura de rieles.



⚠ ADVERTENCIA: Si se retira el divisor Durabase, habrá suficiente espacio abierto para que un niño o una mascota puedan gatear hasta el interior. Para evitar el atrapamiento accidental de un niño o una mascota, y el posible riesgo de asfixia, NO permita que niños y mascotas toquen ni se acerquen al cajón del congelador.

⚠ ADVERTENCIA: NO pise ni se siente en el cajón del congelador.

NIVELACIÓN Y ALINEACIÓN DE LAS PUERTAS

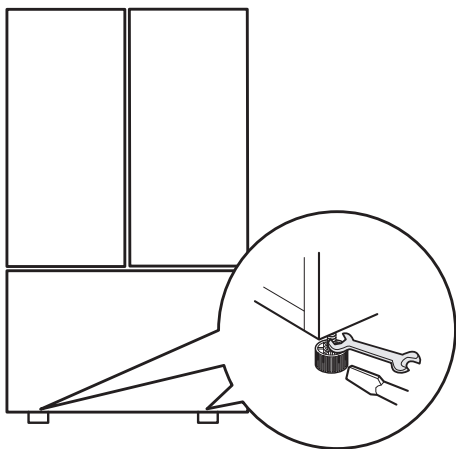
Nivelación

Tras la instalación, enchufe el cable de alimentación del refrigerador en una toma de corriente de 3 clavijas con conexión a tierra y empuje el refrigerador hasta su posición definitiva.

Su refrigerador tiene dos pies de nivelación delanteros: uno a la derecha y otro a la izquierda. Ajuste los pies para modificar la inclinación de delante hacia atrás o de lado a lado. Si el refrigerador parece inestable o si desea que las puertas se cierren más fácilmente, ajuste la inclinación del refrigerador mediante las siguientes instrucciones:

NOTA: Herramientas necesarias: Llave de 18 mm ($11/16''$) o un destornillador plano.

1. Gire los pies de nivelación en sentido antihorario para levantar esa parte del refrigerador o en sentido horario para bajarla. Puede que sean necesarios varios giros del pie de nivelación para ajustar la inclinación del refrigerador.



NOTA: Si una persona empuja hacia atrás la parte superior del refrigerador, descargará parte del peso de los pies de nivelación. Esta operación facilitará el ajuste de los pies.

3. Vuelva a abrir ambas puertas y compruebe que se cierran con facilidad. Si no es así, incline el refrigerador ligeramente hacia atrás girando ambos pies de nivelación en sentido antihorario. Puede que sean necesarios varios giros y debería girar ambos pies de nivelación el mismo número de giros.

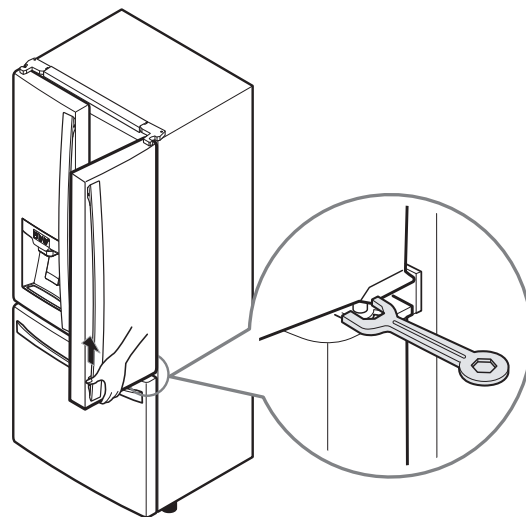
NOTA: Su refrigerador tiene un diseño exclusivo con dos puertas para alimentos frescos. Cada una de las puertas se puede abrir o cerrar de forma independiente de la otra. Puede que deba ejercer una ligera presión en las puertas para cerrarlas completamente.

Alineación de las puertas

Ambas puertas del refrigerador tienen una tuerca ajustable, ubicada en la bisagra inferior, para levantarlas y bajarlas con el fin de alinearlas correctamente.

Si el espacio entre las puertas es desigual, siga estas instrucciones para alinear las puertas de forma uniforme:

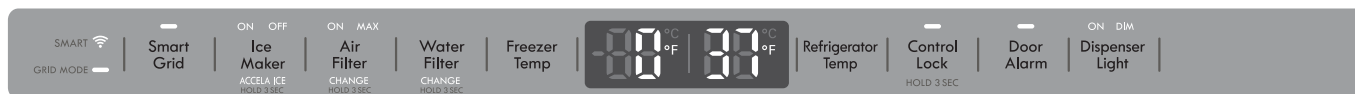
Use la llave (incluida con el Manual de Uso y Cuidado) para girar la tuerca que hay en la bisagra de la puerta para ajustar la altura. En sentido horario para levantar o en sentido antihorario para rebajar la altura.



USO DEL REFRIGERADOR

AJUSTE DE LOS CONTROLES

Temperatura

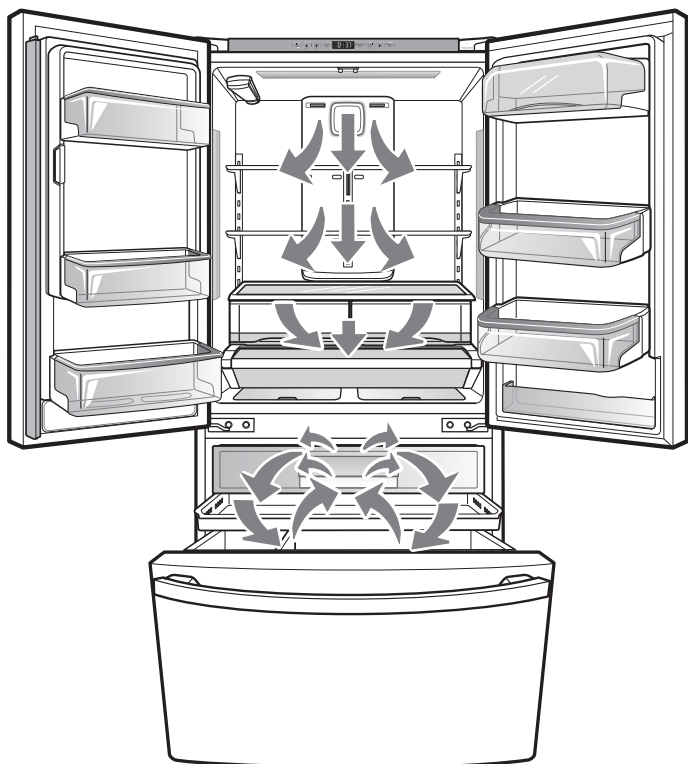


- El rango del control de temperatura del refrigerador de **1 °C a 8 °C (33°F a 46°F)**. Pulse el botón de temperatura del refrigerador para alternar entre los ajustes de temperatura disponibles con incrementos de un grado en cada pulsación.
- El rango del control de temperatura del congelador es de **-21 °C a -13 °C (-6 °F a 8 °F)**. Pulse el botón de Freezer Temp para alternar entre los ajustes de temperatura disponibles con incrementos de un grado en cada pulsación.

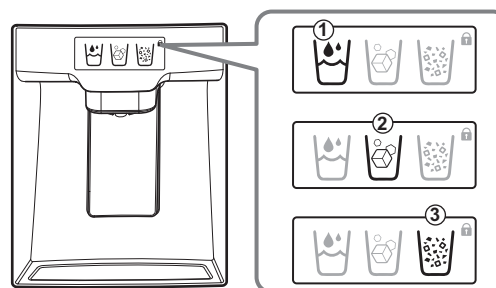
NOTA: Cada vez que cambie los ajustes de los controles, debe esperar 24 horas antes de realizar ajustes adicionales. Los controles están correctamente ajustados cuando la leche o el zumo están a la temperatura fría de su gusto y el helado está firme. Si la temperatura es demasiado fría o demasiado caliente en alguno de los compartimientos, cambie el ajuste en incrementos de un grado cada vez. Espere 24 horas a que se estabilice la temperatura antes de volver a ajustarla.

Flujo de aire

Asegúrese de no bloquear los conductos de ventilación al cargar su refrigerador. De lo contrario, restringirá el flujo de aire y puede que la temperatura del refrigerador suba demasiado o que se acumule humedad en su interior. (Consulte el siguiente diagrama de flujo de aire).



Dispensador



El dispensador servirá agua, cubitos de hielo o hielo picado. Presione el ícono de su elección: (1) agua (2) cubitos de hielo (3) hielo picado. Cuando lo pulse, se iluminará el ícono.

NOTA: El dispensador no funcionará si hay alguna puerta abierta o si está activado el bloqueo de control.

NOTA: Si se ilumina el icono de bloqueo, no se puede controlar el tipo de dispensador. Compruebe el modo ON/OFF de bloqueo de control en el panel de control.

⚠ ADVERTENCIA: La pantalla de control es táctil. Un exceso de humedad en la pantalla puede provocar una avería. Recuerde mantener la pantalla limpia y seca.

USO DEL REFRIGERADOR

Filtro de aire



El filtro de aire ayuda a eliminar olores del refrigerador. El filtro de aire tiene dos configuraciones: Auto y MAX. En el modo Auto, el filtro de aire se encenderá y apagará en un ciclo de diez minutos para el encendido y ciento diez minutos para el apagado. Si se configura en el modo MAX, el filtro de aire permanecerá encendido de forma continua durante cuatro horas, apagándose y encendiéndose en un ciclo de diez minutos para el encendido y cinco minutos para el apagado. Después de cuatro horas, el filtro de aire pasará al modo Auto.

- El modo Auto es el modo predeterminado.
- Presione el botón del filtro de aire una vez para entrar en modo MAX

Restablecimiento del filtro de aire



Cuando se enciende el ícono CHANGE, esto significa que el filtro de aire debe ser reemplazado. Luego de reemplazar el filtro de aire, mantenga pulsado el botón Air Filter durante tres segundos para apagar la luz del ícono. Se recomienda cambiar el filtro de aire aproximadamente cada 6 meses.

Máquina de hielo ENCENDIDA/APAGADA



- Para encender o apagar el sistema de fabricación de hielo, pulse el botón Ice Maker.

Accela Ice (Accela hielo)



- Cuando se mantiene pulsado el botón Ice Maker (del sistema de producción de hielo) durante tres segundos, se iluminará el gráfico en la pantalla y continuará encendido durante 24 horas. Esta función se apagará automáticamente pasadas las 24 horas.

NOTA: Cuando seleccione la función Accela Ice, el ícono de la Máquina de hielo se cambiará brevemente a APAGADO y luego volverá a ENCENDIDO. Esto es normal.

- Puede detener esta función manteniendo pulsado el botón una vez más.
- Esta función aumenta tanto las capacidades de congelación como las de fabricación de hielo.

Restablecimiento del filtro de agua



Cuando se enciende el ícono CHANGE, indica que es necesario cambiar el filtro de agua. Una vez cambiado el filtro de agua, mantenga pulsado el botón Water Filter durante tres segundos para apagar la luz del indicador. El filtro de agua se debe cambiar aproximadamente cada seis meses.

Luz del dispensador



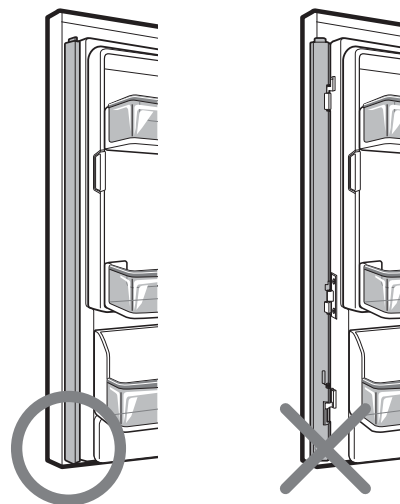
Esta luz tiene tres posiciones: Encendido, Apagado y Tenue. Seleccione la opción Tenue durante la noche. La luz se encenderá automáticamente con toda su luminosidad cuando se presione el panel del dispensador.

Parteluz articulado

Esta característica es una tira de metal situada en la puerta izquierda que se articula (gira) 90 grados al cerrarse la puerta y forma un parteluz (base) para que se sellen las juntas de las puertas izquierda y derecha.

⚠ PRECAUCIÓN

Para reducir el riesgo de rayar la puerta o romper el parteluz, asegúrese de que el parteluz de la puerta del refrigerador esté siempre plegado.



Alarma de la puerta

Door Alarm

- Cuando se conecta el refrigerador a la corriente, la alarma de la puerta está inicialmente activada. Si pulsa el botón Door Alarm, la pantalla cambiará a OFF y la función de alarma de la puerta se desactivará.
- Si la puerta del refrigerador o del congelador se deja abierta durante más de 60 segundos, sonará el tono de la alarma para avisarle de que la puerta está abierta.
- Cuando se cierre la puerta, la alarma de la puerta dejará de sonar.

Modo demostración (sólo para uso en tienda)

El modo demostración desactiva toda la refrigeración en las secciones refrigerador y congelador para ahorrar energía mientras está en exposición en una tienda. Cuando se activa, en el panel de control aparece la palabra OFF.

**Bloqueo de los controles**Control Lock
HOLD 3 SEC

- Cuando se conecta inicialmente el refrigerador a la corriente, la función de bloqueo Lock está desactivada.
- Si desea activar la función Lock para bloquear los demás botones, mantenga pulsado el botón Control Lock durante tres segundos como mínimo. Aparecerá el icono Control Lock y se activará la función Lock.
- Cuando se activa la función Lock, no funciona ningún otro botón. Los botones del dispensador también se desactivan.
- Para desactivar la función Lock, mantenga presionado el botón Control Lock durante aproximadamente tres segundos.

Para desactivar:

Con la puerta del refrigerador abierta, mantenga presionados los botones Refrigerator Temp y Ice Maker al mismo tiempo durante cinco segundos. El panel de control pitará y aparecerán los ajustes de temperatura para confirmar que se ha desactivado el modo de demostración. Use el mismo same procedimiento para activar el modo de demostración.

Función para cambiar el modo de temperatura (°F <->°C)

Si desea convertir °F a °C o viceversa, mantenga presionados los botones Freezer Temp y Refrigerator Temp al mismo tiempo durante aproximadamente cinco segundos.

FUNCIONES INTELIGENTES

DESCRIPCIÓN GENERAL

La conectividad Kenmore Smart transforma su relación con su hogar. Puede personalizar la manera en que los productos Kenmore Smart operan basándose en su horario y rutina diaria, haciendo la vida más fácil y proporcionando una mayor tranquilidad. Esto lo hace permitiéndole vincular y manejar sus productos Kenmore Smart en una aplicación, todo esto desde marcas de confianza desde un teléfono inteligente, tableta o computador.

Este es un electrodoméstico de conexión-lista, permitiéndole monitorearlo y controlarlo remotamente desde su teléfono inteligente mediante la aplicación Kenmore® Smart. Para iniciar necesitará lo siguiente:


- Electrodoméstico Kenmore Elite Smart
- Enrutador (Router) Wi-Fi de casa conectado a internet.
- Teléfono inteligente
- Aplicación Kenmore Smart

Para más información acerca de su electrodoméstico Kenmore Elite® Smart, por favor visite www.Kenmore.com/smart.

La función Smart Grid controla el uso de energía, lo que le ayudará a ahorrar energía durante períodos de uso pico. Puede suspender la función SMART GRID en cualquier momento (usando la aplicación o el botón Smart Grid).

Smart Grid responde a las notificaciones de su compañía de electricidad para ejecutar tareas de alto consumo de energía solamente fuera de los horarios picos de uso, cuando la demanda de electricidad es menor. Estas notificaciones se conocen como señales de respuesta a la demanda. Si el refrigerador recibe una señal de respuesta a la demanda de la compañía de electricidad, este encenderá el LED del MODO GRID en el panel de control y regulará el consumo de energía conforme a la señal recibida. El refrigerador responderá a las señales recibidas de la compañía de electricidad siempre que el aparato esté conectado a Internet y la función Smart Grid esté activada.

DEFINICIONES

LED inteligente (blanco): 

Notifica al usuario que el electrodoméstico está conectado al internet.



LED Smart Grid (blanco):

Notifica al usuario que el aparato es capaz de recibir una señal, conocida como evento de respuesta a la demanda, de un sistema de administración de energía de la compañía de electricidad.

LED Modo Grid (rojo): 

Notifica al usuario que el aparato está reduciendo o demorando el consumo de energía debido a la señal que recibió del sistema de administración de energía de la compañía de electricidad. El LED permanece iluminado durante períodos críticos de precios y precios en tiempo real o durante un período de alta demanda de electricidad.

LLEVANDO A CABO LA CONEXIÓN

Necesita los siguientes dispositivos y la siguiente aplicación para utilizar el Smart Grid (Red Inteligente) y otras funciones inteligentes en su refrigerador.

Dispositivos Requeridos: Router Inalámbrico, Refrigerador Kenmore Elite Smart, y un dispositivo móvil.

Aplicación Requerida: Kenmore Smart App.

CONEXIÓN DEL REFRIGERADOR

Consulte la Guía de Inicio Rápido incluida con su aparato inteligente para obtener instrucciones detalladas acerca de la creación de una cuenta Kenmore y de la configuración del aparato para la operación desde su dispositivo móvil. Para asistencia adicional, visite <http://www.kenmore.com/smart>

NOTA : Cuando se haya conectado con éxito a Internet, se encenderá el LED del ícono SMART del panel de control.

INSTRUCCIONES DE SMART GRID

IMPORTANTE:

Debe conectar su electrodoméstico Kenmore Smart al internet y luego registrarlo en su cuenta a manera de usar la función Smart Grid.

Consulte la Guía de inicio rápido suministrada con el dispositivo para obtener instrucciones sobre cómo registrar su aparato utilizando la aplicación de Kenmore Smart (app).

El botón Smart Grid sirve para dos fines:

1) conectar o desconectar de Internet, 2) activar o desactivar/ suspender la capacidad de respuesta a la demanda del aparato.

NOTA: Este es un electrodoméstico de conexión-lista, permitiéndole monitorearlo y controlarlo remotamente desde su teléfono inteligente mediante la aplicación Kenmore® Smart.

Para conectar el refrigerador a Internet:

Haga referencia a la Guía de Inicio Rápido que vino con su electrodoméstico inteligente para instrucciones detalladas sobre la creación de una cuenta Kenmore y el ajuste de su electrodoméstico para operaciones conectadas desde su teléfono inteligente.

Esta Guía de Uso y Cuidado contiene información e instrucciones para operar su electrodoméstico desde el panel de control del mismo. Para asistencia adicional, visite <http://www.kenmore.com/smart>

NOTA: Si ninguna conexión es llevada a cabo después de cinco

EFuncionamiento de Smart Grid:

Una vez conectado y registrado, el aparato es capaz de aceptar una señal de su compañía de electricidad. La señal, conocida como “respuesta a la demanda”, ajustará el funcionamiento del refrigerador para reducir el consumo de energía durante un período que puede ir desde unos pocos minutos hasta un máximo de 4 horas. La fábrica de hielo también se suspenderá durante este tiempo. Al abrirse la puerta del refrigerador se pueden cancelar ciertas señales de respuesta a la demanda.

El LED del modo Grid (rojo) quedará iluminado de forma fija cuando se esté recibiendo esta señal. Para desactivar la señal y evitar que esta se siga aceptando en el futuro, presione y suelte el botón Smart Grid. Tanto el modo Grid como el LED de Smart Grid se apagarán. Presione y suelte el botón Smart Grid de nuevo para activar la aceptación de la señal de respuesta a la demanda. El LED del botón Smart Grid se volverá a iluminar. El LED del modo Grid se iluminará cuando se envíe otra señal de respuesta a la demanda.

USO DEL REFRIGERADOR

Aviso de la FCC (para el módulo transmisor contenido en este producto)

Este equipo fue probado y se determinó que cumple con los límites para los dispositivos digitales de Clase B, en conformidad con la parte 15 de las normas de la FCC.

Estos límites están diseñados para ofrecer una protección razonable contra interferencias dañinas en una instalación residencial. Este equipo genera, usa y puede emitir energía de radiofrecuencia y, si no se instala y utiliza de acuerdo con las instrucciones, podría causar interferencias dañinas a las comunicaciones por radio. Sin embargo, no se garantiza que dicha interferencia no pueda ocurrir en instalaciones particulares. Si este equipo causa interferencia dañina a la recepción de radio o televisión, que se puede determinar encendiendo y apagando el equipo, se aconseja al usuario intentar corregir la interferencia realizando alguna de las siguientes acciones:

- Reoriente o reubique la antena receptora.
- Aumente la separación entre el equipo y el receptor.
- Conecte el equipo a una toma de corriente en un circuito diferente del utilizado por el receptor.
- Solicite ayuda a su vendedor o a un técnico especialista en radio o TV.

Este dispositivo cumple con la parte 15 de las normas de la FCC. La operación está sujeta a las dos siguientes condiciones:

- 1) este dispositivo no debe causar interferencia dañina, y
- 2) este dispositivo debe aceptar cualquier interferencia recibida, incluso aquellas que pudieran causar un funcionamiento no deseado del dispositivo.

Cualquier cambio o modificación en la construcción de este dispositivo que no cuente con la aprobación expresa de la parte responsable del cumplimiento puede anular la autorización del usuario para operar este equipo.

Aviso de Software de Fuente Abierta

Para obtener el código fuente contenido en este producto bajo LGPL y otras licencias de fuente abierta, visite <http://kenmore.com/opensource>. Adicional al código fuente, todos los términos referidos de licencia, exenciones de garantía, y avisos de derechos de autor están disponibles para descarga.

Declaración sobre exposición a la radiación de RF de la FCC

Este equipo cumple con los límites de exposición a la radiación de la FCC establecidos para entornos no controlados. Este transmisor no se debe ubicar ni opera junto con ninguna otra antena ni transmisor.

El equipo se debe instalar y operar con una distancia mínima de 20 cm (7.8 pulg.) entre la antena y su cuerpo. Los usuarios deben seguir las instrucciones de operación específicas de manera tal de cumplir con las normas de exposición a la RF.

Especificaciones módulo LAN inalámbrico	
Model	2AHU4-KMTD17
Rango de Frecuencia	2412 à 2462 MHz
Potencia de Salida (Máx)	IEEE 802.11b: 18.26 dBm IEEE 802.11g: 20.10 dBm IEEE 802.11n: 20.07 dBm

DEPÓSITO DE HIELO DEL INTERIOR DE LA PUERTA

⚠ PRECAUCIÓN

Mantenga manos y herramientas fuera del compartimiento de hielo de la puerta y del conducto del dispensador. Si no se respeta esta advertencia, podrían producirse daños o lesiones personales.

La máquina de hielo dejará de fabricar hielo cuando el depósito de hielo del interior de la puerta esté lleno. Si necesita más hielo, vacíe el depósito de hielo en el depósito de hielo adicional ubicado en el compartimiento del congelador. Durante el uso, el hielo puede caer de forma irregular lo que puede provocar una lectura errónea del nivel de cubitos de hielo y detener la elaboración de cubitos. Agitar el depósito de hielo para nivelar los cubitos que contiene puede reducir este problema.

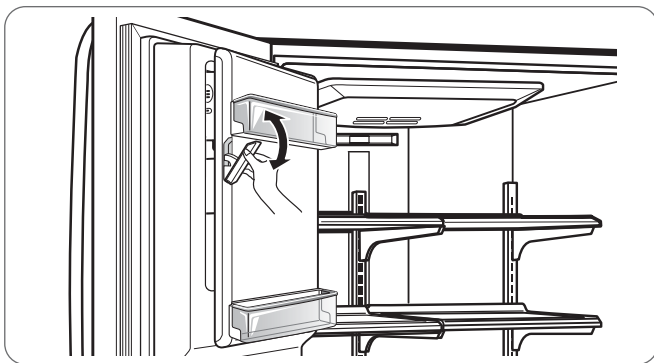
NOTA: Almacenar latas u otros elementos en el depósito de hielo podría dañar la máquina de hielo.

Mantenga la puerta del compartimiento de hielo herméticamente cerrada. Si no se cierra herméticamente, el aire frío del depósito de hielo congelará los alimentos del compartimiento del refrigerador. Esto también podría provocar que la máquina deje de fabricar hielo.

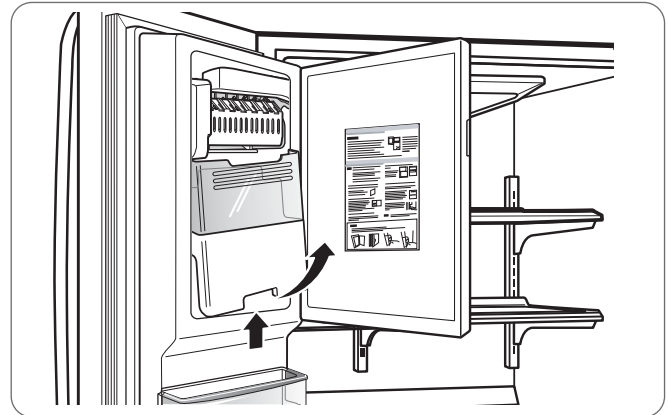
NOTA: Se recomienda vaciar el recipiente para el hielo si el botón ON/OFF de la máquina de hielo del panel de control ha permanecido en la posición OFF durante un periodo prolongado de tiempo.



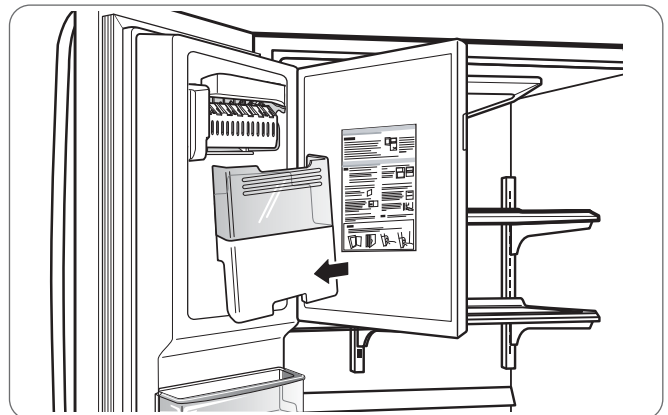
1. Tire o empuje de la manija de la puerta para abrir o cerrar el compartimiento de hielo.



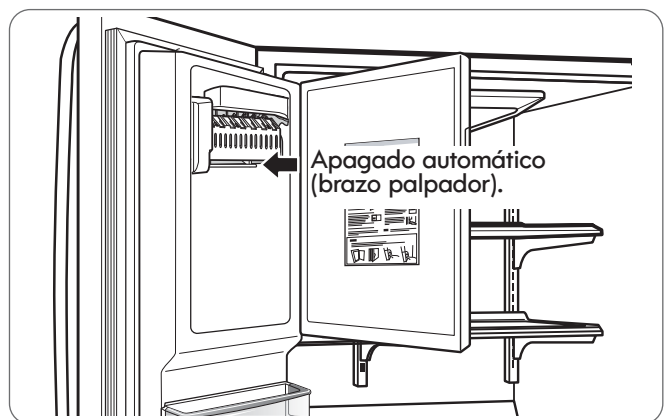
2. Para sacar el depósito de hielo del interior de la puerta, agarre la manija delantera, levante ligeramente la parte inferior y despegue el depósito tal como se muestra.



3. Para volver a instalar el depósito de hielo del interior de la puerta, incline ligeramente el depósito al volver a colocarlo en su sitio para evitar el contacto con la máquina de hielo.



4. Evite tocar el apagado automático (brazo palpador) al colocar el recipiente del hielo. Consulte la etiqueta que hay en la puerta del compartimiento de hielo para obtener información más detallada.



MÁQUINA DE HIELO AUTOMÁTICA

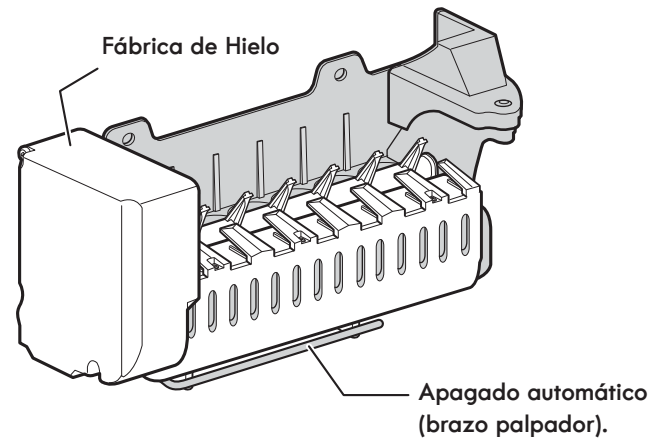
El hielo se fabrica en la máquina de hielo automática y se envía al dispensador. El dispensador de hielo producirá 70-182 cubitos en un periodo de tiempo de 24 horas, en función de la temperatura del congelador, de la temperatura ambiente, del número de puerta abiertas y otras condiciones de funcionamiento.

- Un refrigerador recién instalado tardará entre 12 y 24 horas en empezar a fabricar hielo. Espere 72 horas para que comience la fabricación de hielo.
- La fabricación de hielo se detiene cuando se llena el depósito de hielo. En ese caso, el depósito de hielo contiene aproximadamente de 6 a 8 (12-16 oz o 340-455 cc) vasos de hielo.
- Las sustancias extrañas o la escarcha el sensado automático (brazo palpador) pueden interrumpir la producción. Para un correcto funcionamiento, asegúrese de que el brazo palpador esté limpio en todo momento.
- Para aumentar la producción de hielo, utilice la función Accela Ice. Esta función aumenta la capacidad para fabricar hielo y para congelar.

! ADVERTENCIA

Riesgo de lesiones personales

NO introduzca los dedos o las manos en el mecanismo de fabricación automática de hielo con el refrigerador enchufado.



MÁQUINA DE HIELO AUTOMÁTICA (continuación)**⚠ PRECAUCIÓN**

- La primera tanda de hielo y agua dispensada podría incluir partículas y olor procedente de la tubería de suministro de agua o del depósito de agua.
- Deseche las primeras tandas de hielo. Esto también es necesario si el refrigerador no se usa durante un largo período de tiempo.
- Nunca almacene latas de bebidas u otros artículos en el depósito de hielo con el propósito de que se enfríen rápidamente. Si lo hace, podría dañar la máquina de hielo o los contenedores podrían estallar.
- Si se dispensa hielo manchado, compruebe el filtro y el suministro de agua. Si el problema persiste, póngase en contacto con Sears u otro servicio técnico cualificado. No consuma el hielo ni el agua hasta que se resuelva el problema.
- No permita que los niños utilicen el dispensador. Los niños podrían jugar con los controles y romperlos.
- Si sólo se usa hielo picado, el conducto del hielo podría quedar bloqueado con escarcha. Para retirar la escarcha acumulada, desmonte el depósito de hielo y libere el conducto con una espátula de goma. La dispensación de hielo en cubitos también ayuda a evitar la formación de escarcha.
- Nunca use vasos de cristal fino o recipientes de loza para recoger hielo. Ese tipo de contenedores podrían descascarillarse o romperse, y podrían caer fragmentos de cristal al hielo.
- Dispense hielo en el vaso antes de rellenarlo con agua u otras bebidas. Si se dispensa hielo en un vaso que ya contiene líquido, pueden producirse salpicaduras.
- Nunca use un vaso que sea excesivamente estrecho o profundo. El hielo podría atascarse en el conducto de hielo y el rendimiento del refrigerador podría verse afectado.
- Mantenga el vaso a una distancia adecuada de la salida del hielo. Si sostiene el vaso demasiado cerca de la salida, puede impedir que se dispense el hielo.
- Para evitar lesiones personales, mantenga las manos lejos de la puerta y del conducto del hielo.
- Nunca retire la tapa del dispensador.
- Si de forma inesperada se dispensa hielo o agua, corte el suministro de agua y póngase en contacto con el servicio técnico doméstico de Sears llame 1-844-553-6667.

CUÁNDO APAGAR LA MÁQUINA DE HIELO

- Cuando el suministro de agua vaya a estar interrumpido durante varias horas.
 - Cuando se retire el depósito de hielo durante más de uno o dos minutos.
 - Cuando no se vaya a usar el refrigerador durante varios días.
- NOTA:** El recipiente para el hielo deberá vaciarse siempre que se ponga en OFF el botón ON/OFF (encendido/apagado) de la máquina de hielo.

SONIDOS NORMALES QUE SE PUEDEN ESCUCHAR

- Si el botón ENCENDIDO/APAGADO de la máquina de hielo se pone en ENCENDIDO, la válvula emitirá un zumbido incluso si la máquina de hielo no está conectada al agua. Para detener el zumbido, ponga el interruptor en APAGADO.
- NOTA:** Si mantiene el botón ENCENDIDO/APAGADO de la máquina de hielo en ENCENDIDO antes de conectar el agua, la máquina podría dañarse.
- Oirá el sonido de los cubitos de hielo al caer en el depósito y el agua corriendo por las tuberías cuando se rellena la máquina de hielo.

PREPARACIÓN PARA LAS VACACIONES

Ponga el botón ON/OFF de la máquina de hielo en OFF y cierre el suministro de agua al refrigerador.

NOTA: El recipiente para el hielo deberá vaciarse siempre que se ponga en OFF el botón ON/OFF

Si la temperatura ambiente cae por debajo del punto de congelación, póngase en contacto con un técnico cualificado para que purgue el sistema de suministro de agua para evitar graves daños materiales debidos a las inundaciones provocadas por la rotura de las tuberías o conexiones de agua.

GUÍA PARA EL ALMACENAMIENTO DE ALIMENTOS

Envuelva o almacene los alimentos en el refrigerador dentro de materiales herméticos y antihumedad, a menos que se indique lo contrario. Esto evitará que el olor y sabor de los alimentos se transfiera por todo el refrigerador. Para productos con fecha de caducidad, compruebe el código de fecha para garantizar la frescura.

Elementos	Cómo
Mantequilla o margarina	► Conserve la mantequilla abierta en un plato cubierto o en un compartimiento cerrado. Cuando se almacena una cantidad extra, envuélvala en una bolsa para congelar y congélela.
Queso	► Almacene en el envoltorio original hasta que esté listo para consumirlo. Una vez abierto, vuelva a envolverlo herméticamente en un envoltorio plástico o en papel de aluminio.
Leche	► Limpie los cartones de leche. Para un mejor almacenamiento, coloque la leche en los estantes interiores y no en los estantes de la puerta.
Huevos	► Almacénelos en el cartón original en un estante interior, no en un estante de la puerta.
Fruta	► No lave ni pele la fruta hasta que ésta vaya a ser utilizada. Organice la fruta y consérvela en su contenedor original, en un cajón, o bien almacénela en una bolsa de papel completamente cerrada sobre un estante del refrigerador.
Verdura con hoja	► Retire el envoltorio comercial y corte o arranque las zonas magulladas o decoloradas. Lave en agua fría y deje escurrir. Colóquela en una bolsa o un contenedor de plástico, y almacénela en el cajón para verduras.
Vegetales con piel (zanahorias, pimientos)	► Colóquelos en una bolsa o un contenedor de plástico, y almacénelos en el cajón para verduras.
Pescado	► Almacene el pescado y los mariscos frescos en el congelador si no van a ser consumidos el mismo día en que se los adquirió. Se recomienda consumir pescados y mariscos frescos el mismo día de haberlos adquirido.
Sobras	► Cubra las sobras con un envoltorio plástico, papel de aluminio o dentro de contenedores de plástico con tapas herméticas.

ALMACENAMIENTO DE ALIMENTOS CONGELADOS

NOTA: Consulte una guía de congelación o un libro de cocina fiable para obtener más información sobre la forma de preparar los alimentos para su congelación o sobre los tiempos de almacenamiento de los alimentos congelados.

Congelación

El congelador no congelará rápidamente una gran cantidad de alimentos. No coloque más alimentos sin congelar en el congelador que los que se congelarán en 24 horas (no más de 1 o 1,5 kg de alimento por cada 30 litros de espacio en el congelador). Deje suficiente espacio en el congelador para que el aire pueda circular entre los paquetes. Tenga cuidado de dejar suficiente espacio en la parte delantera para que se pueda cerrar la puerta herméticamente.

Los tiempos de almacenamiento variarán en función de la calidad y el tipo de alimento, el tipo de envase o envoltorio utilizado (si son herméticos y antihumedad) y la temperatura de almacenamiento. La aparición de cristales de hielo dentro de un paquete sellado es normal. Esto sólo significa que la humedad del alimento y del aire del interior del paquete se ha condensado, creando cristales de hielo.

NOTA: Deje que los alimentos calientes se enfríen a temperatura ambiente durante 30 minutos y, a continuación, empaquételes y congélelos. Enfríar alimentos calientes antes de congelarlos ahorra energía.

Empaquetamiento

Una congelación correcta depende de un empaquetamiento adecuado. Cuando se cierra y sella el paquete, no debe dejar que entre ni salga aire ni humedad. Si eso sucede, es posible que el olor y el sabor de los alimentos se transfieran por todo el refrigerador y también se podrían resecar los alimentos congelados.

Recomendaciones de empaquetamiento:

- Contenedores de plástico rígido con tapas herméticas
- Tarros de congelación / enlatado con lados rectos
- Papel de aluminio grueso
- Papel con revestimiento plástico
- Envoltorios plásticos no permeables
- Bolsas de plástico con autosellado y calidad específica apta para congelador

Siga las instrucciones del contenedor o paquete para unos métodos de congelación adecuados.

No usar

- Envoltorios de pan
- Contenedores de plástico que no sean de polietileno
- Contenedores sin tapas herméticas
- Papel de cera o envoltorio para congelador revestidos de cera
- Envoltorio fino y semipermeable

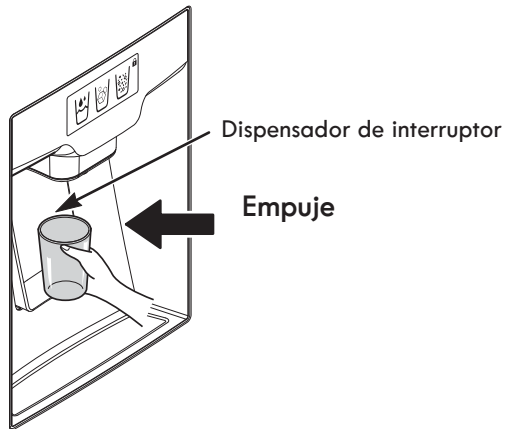
⚠ PRECAUCIÓN: No almacene latas de bebidas o contenedores de comida de plástico en el compartimiento del congelador. Podrían romperse o estallar al congelarse.

SECCIÓN REFRIGERADOR

DISPENSADOR DE AGUA

Para dispensar agua fría, empuje el interruptor del dispensador con un vaso.

NOTA: El dispensador está equipado con una luz que se enciende cuando se activan los botones del dispensador.



Es posible que tras la dispensación se produzca un goteo. Mantenga el vaso bajo el dispensador durante unos segundos tras la dispensación para recoger todas las gotas.

⚠ ADVERTENCIA: No coloque los dedos encima de la abertura del conducto de hielo, podría sufrir lesiones de gravedad.

⚠ PRECAUCIÓN: No dispense hielo en vasos de cristal o porcelana fina, ya que podrían romperse.



ESTANTES DEL REFRIGERADOR

Los estantes del refrigerador son ajustables para satisfacer sus necesidades personales de almacenamiento. En función del modelo, los estantes pueden ser de vidrio o de rejilla metálica.

Organizar los estantes para que se ajusten a las diferentes alturas de los artículos hará que le resulte más fácil encontrar lo que busca. Con ello también reducirá el tiempo que permanece la puerta del refrigerador abierta y ahorrará energía.

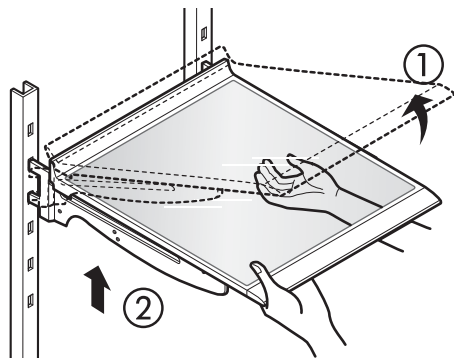
IMPORTANTE: No limpie los estantes de vidrio con agua templada mientras aún están fríos. Los estantes podrían romperse si se ven expuestos a cambios repentinos de temperatura o a impactos.

NOTA: Los estantes de vidrio son pesados. Tenga especial cuidado en el momento de retirarlos.

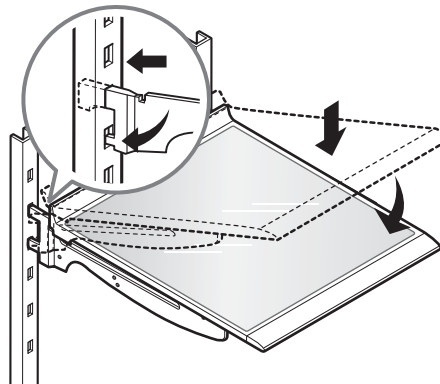
Organización de los estantes (Cantilever)

Retire los estantes de la posición de transporte y vuelva a colocar los estantes en la posición que desee.

Para retirar un estante: incline la parte delantera del estante en dirección de ① y levántelo en la dirección de ②. Saque el estante.



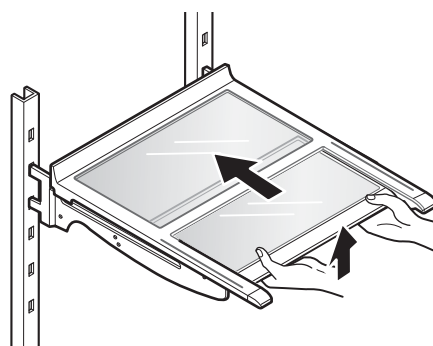
Para volver a instalar un estante: incline la parte delantera del estante hacia arriba y guíe los ganchos del estante al interior de las ranuras a la altura deseada. A continuación, baje la parte delantera del estante de manera que los ganchos caigan en las ranuras.



⚠ PRECAUCIÓN: Asegúrese de que los estantes tienen ambos lados nivelados. De lo contrario, podría caerse el estante o derramarse los alimentos.

Estante plegable

Para almacenar artículos más altos, como botellas o garrapas, empuje la mitad delantera del estante para que se deslice debajo de la mitad posterior del estante. Tire de la parte delantera del estante hacia usted para volver a tener un estante completo.

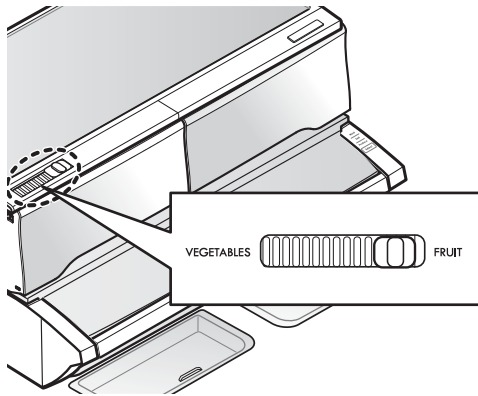


CAJÓN CON CONTROL DE HUMEDAD

Los cajones para verduras mantienen el sabor y la frescura de la fruta y la verdura al permitir controlar fácilmente la humedad dentro del cajón.

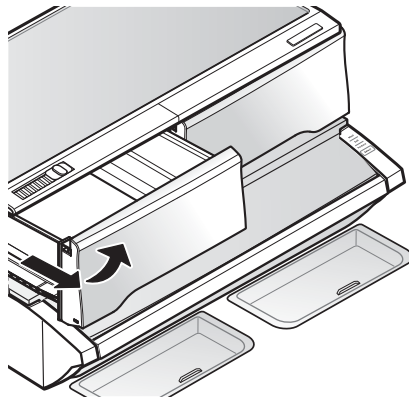
Para controlar la cantidad de humedad en los cajones para verduras con sellado antihumedad, ajuste el control en cualquier posición entre **VEGETABLES** y **FRUIT**.

- **VEGETABLES** mantiene un aire húmedo en el cajón para un mejor almacenamiento de las verduras frescas y de hoja.
- **FRUIT** mantiene el aire húmedo fuera del cajón para un mejor almacenamiento de la fruta.



DESMONTAJE DEL CAJÓN CON CONTROL DE HUMEDAD

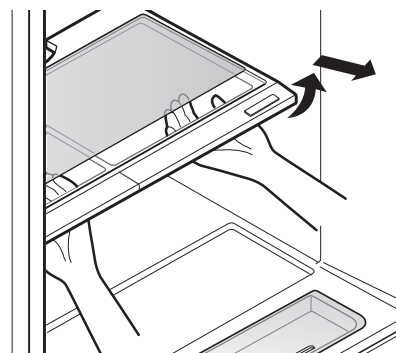
1. Para desmontarlo, saque el cajón todo lo posible.
2. Levante la parte delantera del cajón para verduras y tire de él hacia fuera.
3. Para instalarlo, incline la parte delantera ligeramente hacia arriba, inserte el cajón en el marco y empuje hasta que encaje en su sitio.



Para quitar el vidrio

1. Levante el vidrio situado bajo la tapa del cajón para verduras.
2. Tire del vidrio hacia arriba y hacia fuera.

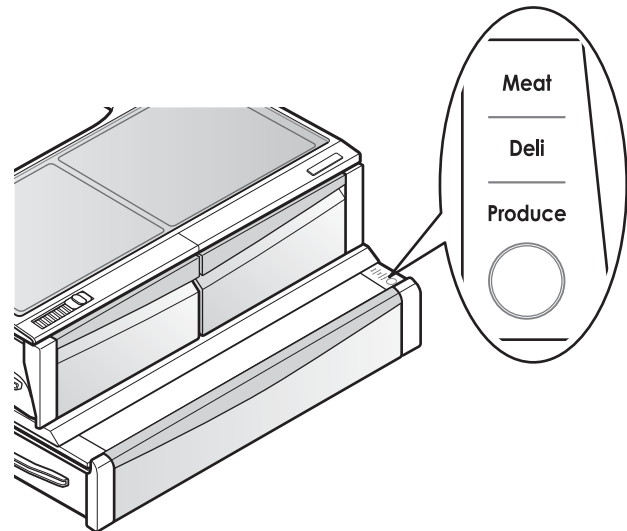
NOTA: Para mayor claridad, no se muestra el cajón.



CAJÓN DESPENSERO CON CONTROL DE TEMPERATURA

El **Cajón despensero con control de temperatura** proporciona espacio de almacenamiento con un control de temperatura variable que permite mantener el compartimiento más frío que la sección del refrigerador. Este cajón se puede usar para grandes bandejas de fiesta, artículos de charcutería y bebidas. (Este cajón no se debe usar para verduras que requieran un alto nivel de humedad).

Pulse el botón para elegir entre Meat (carne), Deli (charcutería) y Produce (Productos cocinados).



⚠ PRECAUCIÓN: No guarde botellas de vidrio en la despensa. Si se congelan, pueden romperse y causar lesiones.

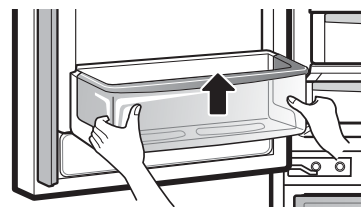
BANDEJAS DE LA PUERTA

Las bandejas de la puerta son extraíbles para facilitar su limpieza y ajuste.

1. Para desmontar la bandeja, simplemente levántela hacia arriba y tire de ella hacia fuera.
2. Para volver a colocar la bandeja, deslícela por encima del soporte deseado y empuje hacia abajo hasta que encaje en su sitio.

NOTA: Algunas bandejas tienen una apariencia diferente y sólo encajarán en una ubicación.

⚠ PRECAUCIÓN: No llene o envase en exceso los alimentos en los compartimentos de la puerta. Podría dañar el compartimento o sufrir lesiones personales al retirar los alimentos aplicando una fuerza excesiva.



PREVIEW GRAB-N-GO (en algunos modelos)

El compartimento "PreView Grab-N-Go" permite el fácil acceso a los alimentos comúnmente utilizados.



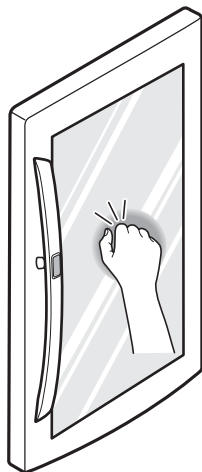
PREVIEW GRAB-N-GO COMPARTIMIENTO (en algunos modelos)

Para acceder al compartimento PreView Grab-N-Go, pulse levemente el botón en el tirador derecho de la puerta del frigorífico para abrir la puerta.



LA FUNCIÓN PREVIEW (en algunos modelos)

La función PreView en la puerta Grab-N-Go le permite ver si se está quedando sin artículos de uso frecuente como bebidas y bocadillos, sin abrir la puerta del refrigerador.

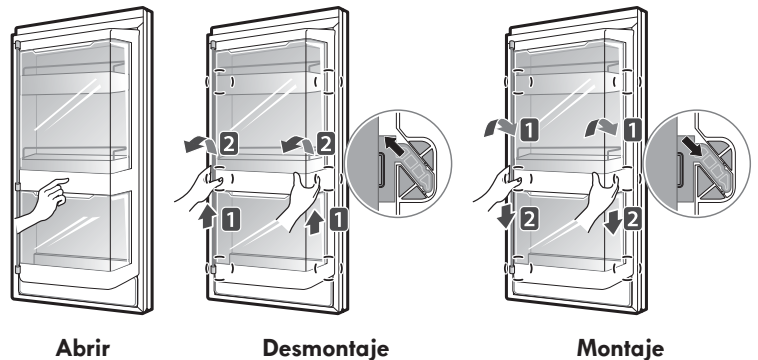


1. Toque dos veces el vidrio para encender y apagar la luz de LED dentro de la puerta LED.
 2. La luz de LED se apaga automáticamente después de diez segundos.
- La función Knock-On está deshabilitada cuando la puerta de la derecha del refrigerador está abierta, durante dos segundos después de cerrar la puerta y cuando el dispensador de hielo está en uso.
 - Toque cerca del centro del vidrio. Tocar cerca de los bordes del vidrio puede no activar la función Knock-On correctamente.
 - Toque con fuerza de manera de escuchar el sonido del golpe.
 - La función Knock-On puede activarse si hay un ruido fuerte cerca del refrigerador.

MONTAJE DE CAJA GRAB-N-GO (en algunos modelos)

El montaje de la caja Grab-N-Go se puede quitar para limpiar y ajustar fácilmente. Para abrir el compartimento "Grab-N-Go", presione suavemente el área marcada para abrirla

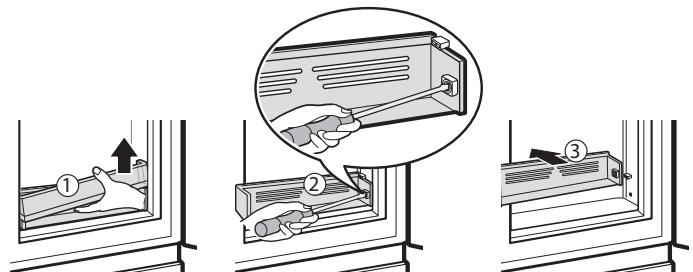
1. Para extraer el montaje de la caja Grab-N-Go, levante y tire.
2. Para reemplazar el montaje de la caja Grab-N-Go, alinee las lengüetas del montaje de la caja Grab-N-Go a las ranuras de la puerta y empuje hacia abajo hasta que se coloque en el lugar. he door and push down until it snaps into place.



CAJONES DE PUERTA GRAB-N-GO (en algunos modelos)

El estante inferior Grab-N-Go se puede quitar para limpiar fácilmente.

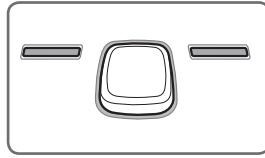
1. Para extraer el estante inferior, levante el sujetador del estante hacia arriba y para afuera.
2. Retire los dos tornillos del estante y tire en forma recta hacia afuera.
3. Para reemplazar, realice el procedimiento inverso.



REEMPLAZO DEL FILTRO DE AIRE

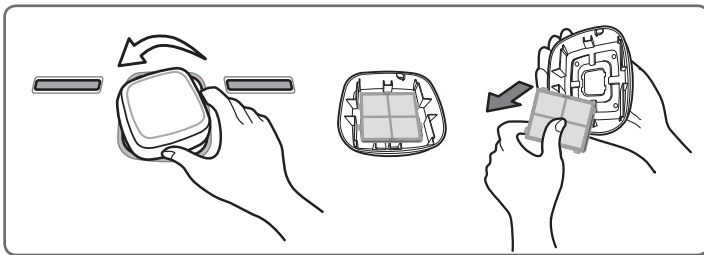
Se recomienda reemplazar el filtro de aire:

- Aproximadamente cada seis meses.
- Cuando se encienda la luz CHANGE AIR FILTER (Cambiar filtro de aire).



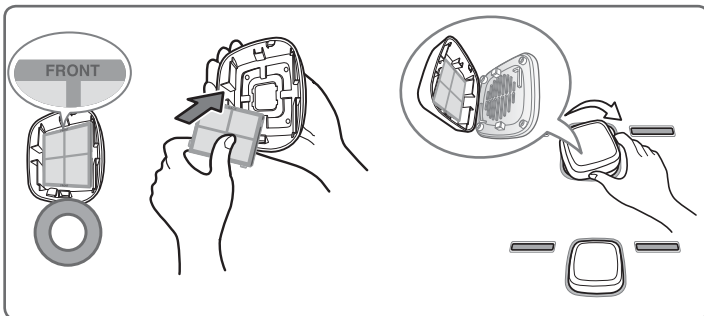
1. Extraiga el filtro viejo

Gire la tapa del filtro hacia la izquierda para separarlo de la pared del refrigerador. El filtro se ubica en la parte interior de la tapa del filtro. Quite el filtro de la tapa y reemplácelo con uno nuevo.



2. Instale un nuevo filtro de aire.

Coloque un filtro nuevo dentro de la tapa con el lateral que dice "Frente" mirando hacia afuera. Gire el filtro hacia la derecha para sujetarlo a la pared del refrigerador.



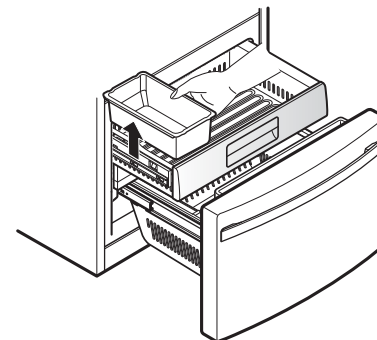
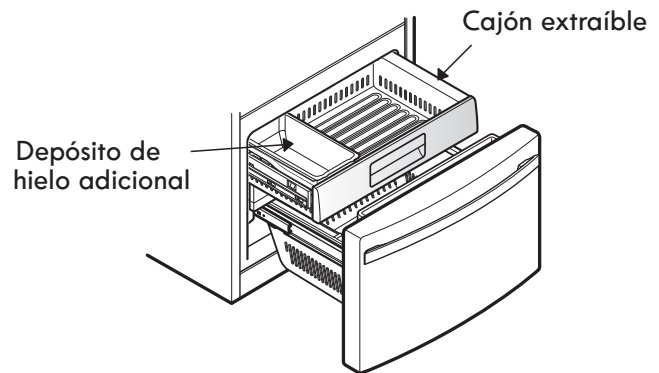
Luego de cambiar el filtro, mantenga pulsado el botón Air Filter durante tres segundos para restablecer el sensor del filtro.

NOTA: Para adquirir un filtro de aire de reemplazo, visitar su tienda local de Sears, o llame 1-844-553-6667. También puede comprar en línea en: www.kenmore.com

SECCIÓN CONGELADOR

DEPÓSITO DE HIELO ADICIONAL

1. Tire del cajón congelador y el cajón extraíble lo máximo posible para retirar el depósito de hielo adicional.
2. Con cuidado levante y saque el depósito de hielo.
3. Para volver a colocarlo, tire de los dos cajones lo máximo posible y ponga el depósito en su posición correcta en el cajón extraíble. Cierre el cajón extraíble y, después, el cajón del congelador.

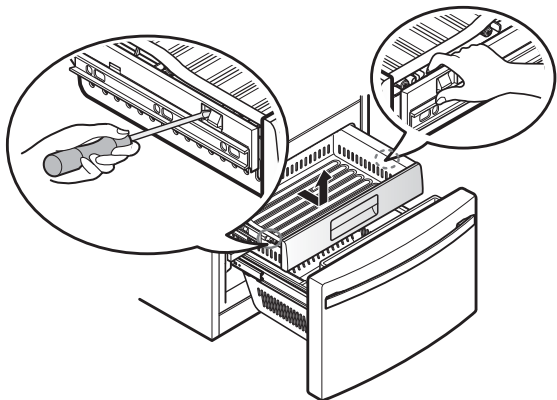


⚠ PRECAUCIÓN: Peligro de pinzamiento. Mantenga las manos y pies lejos de la parte inferior del cajón del congelador al abrir y al cerrar.

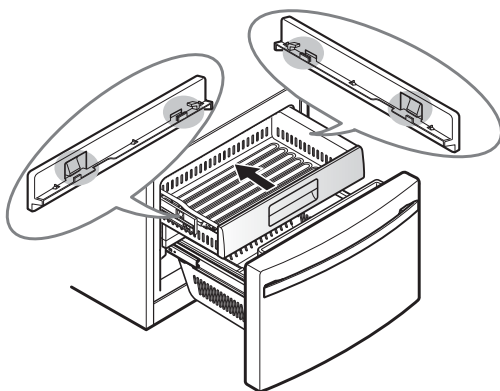
CAJÓN EXTRAÍBLE

Cajón superior

1. Para quitar el filtro, jale la gaveta en toda su extensión. En el riel izquierdo, empuje con un desarmador de punta plana la lengüeta para liberar la gaveta del riel, como se ilustra a continuación. Una vez que esté liberado el lado izquierdo, empuje la lengüeta del lado derecho con el dedo para liberar la gaveta. Levante la parte delantera de la gaveta y luego júlela hacia afuera.

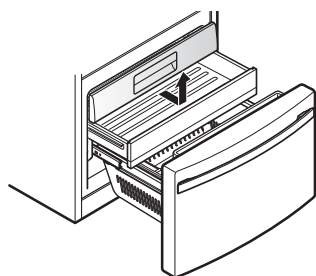


2. Para volver a colocarla, incline levemente hacia arriba la parte delantera de la gaveta, inserte la gaveta en el marco y empújela en su lugar hasta que escuche un clic.

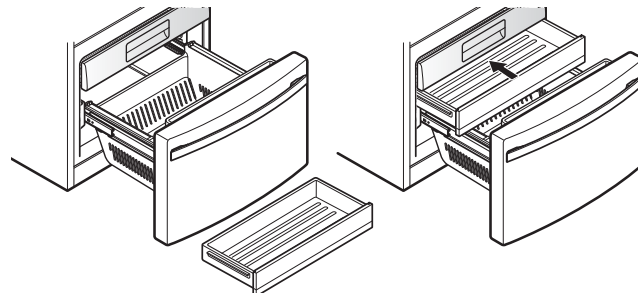


Cajón medio

1. Para extraer el cajón, tírelo completamente hacia afuera. Levante el frente del cajón, y tire del mismo directamente hacia afuera.

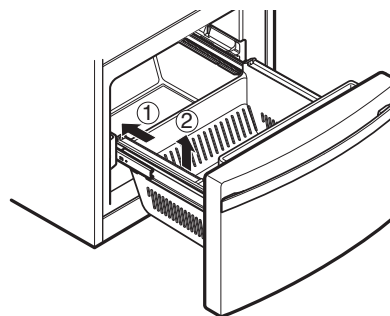


2. Para volver a colocarlo, incline la parte delantera del cajón ligeramente hacia arriba, inserte el cajón en el marco y empuje hasta que encaje en su sitio.



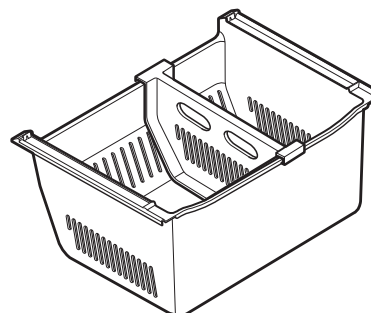
DURABASE

1. Para desmontar el Durabase, empújelo hacia atrás todo lo posible. Incline hacia arriba la parte delantera del Durabase y tire de él hacia fuera.
2. Para volver a colocarlo, inserte el Durabase en la estructura de rieles.



DIVISOR DURABASE

El divisor Durabase le permite organizar el área Durabase en secciones. Se puede ajustar de lado a lado para alojar artículos de diferentes tamaños.



- ⚠ ADVERTENCIA:** Si se retira el divisor Durabase, habrá suficiente espacio abierto para que un niño o una mascota puedan gatear hasta el interior. Para evitar el atrapamiento accidental de un niño o una mascota y el posible riesgo de asfixia, NO permita que niños y mascotas toquen ni se acerquen al cajón.

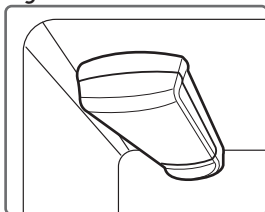
FILTRO DE AGUA

FILTRO DE AGUA

Water Filter
CHANGE HOLD 3 SEC

Se recomienda reemplazar el filtro de agua:

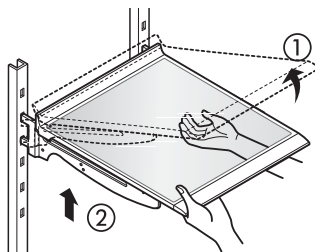
- Aproximadamente cada 6 meses.
- Cuando el indicador del filtro del agua se encienda.
- Cuando disminuya el caudal del dispensador de agua.
- Cuando los cubitos de hielo sean más pequeños de lo normal.



Antes de sustituir el filtro de agua:

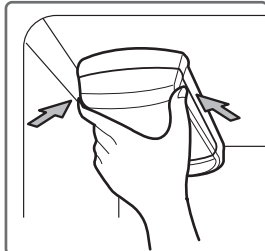
Si el estante superior, situado debajo del filtro de agua, está en la posición más alta, se necesitará retirar el mismo antes de sustituir el filtro de agua.

Para retirar cualquier estante - Levante el frente del estante ① y tire hacia arriba ②. Saque el estante.



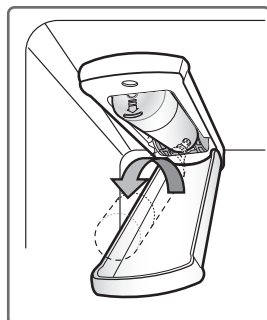
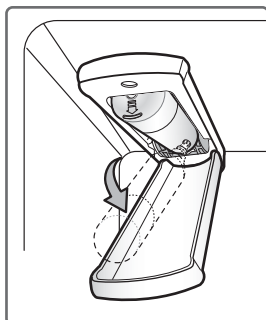
1. Quite el antiguo filtro de agua.

- Baje o desmonte el estante superior izquierdo para permitir que el filtro de agua pueda girar hacia abajo totalmente.
- Pulse el botón de presión para abrir la tapa del filtro de agua.



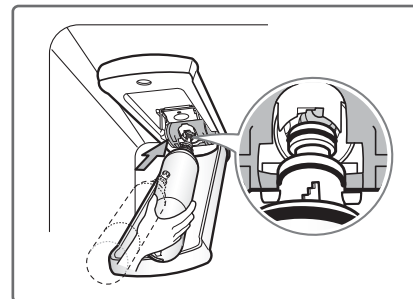
NOTA: Al reemplazar el filtro de agua se drena una pequeña cantidad de agua (unos 25 cc). Coloque un vaso debajo de la parte delantera de la tapa del filtro de agua para recoger el agua que se escape. Sostenga el filtro de agua en posición vertical, una vez retirado, para evitar que el agua residual se salga del filtro de agua.

- Asegúrese de rotar completamente el filtro hacia abajo antes de extraerlo del orificio del colector.
- Tire de filtro del agua hacia abajo y gírelo en sentido antihorario.

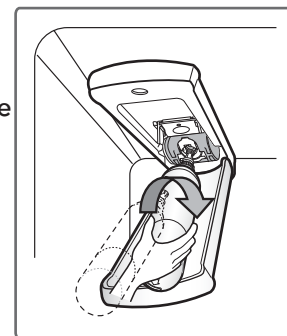


2. Reemplácelo con un filtro de agua nuevo.

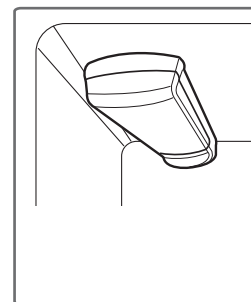
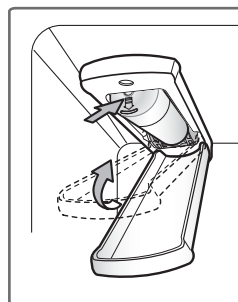
- Saque el nuevo filtro de agua de su envoltorio y retire la tapa protectora de las juntas tóricas.



- Con las pestañas del filtro de agua en posición horizontal empuje el nuevo filtro de agua en el soporte del colector y gire en sentido horario.



- Gire el filtro de agua hacia arriba hasta colocarlo en su sitio y cierre la tapa. La tapa hará "clac" cuando se cierre correctamente.



- Después de reemplazar el filtro de agua, dispense 9 litros de agua (deje correr el agua durante unos 5 minutos) para purgar el aire atrapado y los contaminantes del sistema; no dispense los 9 litros de agua de manera continua. Pulse y suelte el botón del dispensador en ciclos de 30 segundos ON y 60 segundos OFF.

⚠ PRECAUCIÓN: NO ponga en marcha el refrigerador sin tener un filtro de agua o un tapón de derivación del filtro de agua instalado.

NOTA: Para comprar un filtro de agua de repuesto, visite su tienda local de Sears, o llame 1-844-553-6667. También puede comprar en línea en: www.kenmore.com

Hoja de datos de rendimiento

Utilice un recambio de cartucho: MDJ64844602(9980)

La concentración de las sustancias indicadas en el agua que entra en el sistema se redujo a una concentración menor o igual al límite permisible para el agua de salida según las especificaciones de los estándares NSF/ANSI 42 y 53 Y 401.



Sistema probado y certificado por NSF International según los estándares NSF/ANSI 42 y 53 y 401 para la reducción de las sustancias siguientes.

Reducción de contaminantes	Influyente medio	NSF especificado Concentración objetivo	% promedio Reducción	Producto promedio Concentración de agua	Máximo permitido Concentración de producto en agua	Reducción NSF Requisito
Olor y sabor a cloro	2.0 µg/L	2.0 mg/L ± 10%	>97.5%	0.050 µg/L	N/A	≥ 50.00%
Partículas nominales I, ≥ 0,5 a < 1,0 µm	12,000,000 pts/mL	Al menos 10,000 partículas/mL	99.80%	24,000 pts/ml	N/A	≥ 85.00%
Asbesto	180 MFL	10 ⁷ a 10 ⁸ MFL; fibras mayores que 10 µg/Lin de longitud	>99.00%	< 1 MFL	N/A	≥ 99.00%
Atracina	8.5 µg/L	9.0 µg/L ± 10%	>94.10%	0.500 µg/L	3.0 µg/L	N/A
Benceno	15.0 µg/L	15.0 µg/L ± 10%	>96.60%	0.510 µg/L	5.0 µg/L	N/A
Carbofurano	74.0 µg/L	80.0 µg/L ± 10%	98.30%	1.258 µg/L	40 µg/L	N/A
Lindano	1.9 µg/L	2.0 µg/L ± 10%	>99.00%	0.019 µg/L	0.2 µg/L	N/A
P-Diclorobenceno	230.0 µg/L	225.0 µg/L ± 10%	>99.80%	0.460 µg/L	75.0 µg/L	N/A
2,4-D	210.0 µg/L	210.0 µg/L ± 10%	>99.90%	0.210 µg/L	70.0 µg/L	N/A
Plomo a pH 6,5	140.0 µg/L	150.0 µg/L ± 10%	99.60%	0.560 µg/L	10.0 µg/L	N/A
Plomo a pH 8,5	150.0 µg/L	150.0 µg/L ± 10%	>90%	<0.500 µg/L	10.0 µg/L	N/A
Mercurio a pH 6,5	5.9 µg/L	6.0 µg/L ± 10%	91.00%	0.531 µg/L	2.0 µg/L	N/A
Mercurio a pH 8,5	5.6 µg/L	6.0 µg/L ± 10%	92.50%	<0.420 µg/L	2.0 µg/L	N/A
Bacterias*	100,000 bacterias/L	Mínimo de 50,000 bacterias/L	>99.99%	10	N/A	≥99.95%
Atenolol	240 ng/L	200 ± 40% ng/L	> 95.50%	10.80 ng/L	30 ng/L	N/A
Carbamazepina	1600 ng/L	1400 ± 40% ng/L	98.40%	25.60 ng/L	200 ng/L	NA
DEET	1600 ng/L	1400 ± 40% ng/L	97.10%	46.40 ng/L	200 ng/L	NA
Trimetoprima	170 ng/L	140 ± 40% ng/L	>96.80%	5.44 ng/L	20 ng/L	NA
Linurón	160 ng/L	140 ± 40% ng/L	>96.60%	5.44 ng/L	20 ng/L	NA
Fenitoína	200 ng/L	200 ± 40% ng/L	>94.80%	10.40 ng/L	30 ng/L	NA
Ibuprofeno	400 ng/L	400 ± 40% ng/L	>94.50%	22.00 ng/L	60 ng/L	NA
Naproxeno	140 ng/L	140 ± 40% ng/L	>96.10%	5.46 ng/L	20 ng/L	NA
Estrona	120 ng/L	140 ± 40% ng/L	>96.10%	4.68 ng/L	20 ng/L	NA
Bisfenol A	2000 ng/L	2000 ± 40% ng/L	>98.90%	22.00 ng/L	300 ng/L	NA
Nonilfenol	1600 ng/L	1400 ± 40% ng/L	>97.10%	46.40 ng/L	200 ng/L	NA

* Basado en el uso de *Cryptosporidium parvum* oocysts.

Directrices de aplicación/Parámetros del suministro de agua	
Flujo de servicio	1,9 lpm (0,5 gpm)
Suministro de agua	Agua potable
Presión del agua	138 - 827 kPa (20-120 psi)
Temperatura del agua	0,6 °C - 38 °C (33 °F - 100 °F)

Es esencial respetar los requisitos recomendados por el fabricante para la instalación, mantenimiento y reemplazo del filtro de agua para que el producto se comporte de la forma indicada.

NOTA: Las pruebas se realizan en condiciones estándar de laboratorio, por lo que el rendimiento real puede variar.

NOTA: Para comprar un filtro de agua de repuesto, visitar su tienda local de Sears, 1-844-553- 6667. También puede comprar en línea en: www.kenmore.com

Producto distribuido en los Estados Unidos de América por Sears Brands Management Corporation, Hoffman Estates, IL 60179.

NSF es una marca comercial de NSF International.

! ADVERTENCIA

Para reducir el riesgo asociado a la ingestión de contaminantes: No utilice agua que no sea segura microbiológicamente o cuya calidad se desconozca sin una desinfección adecuada antes o después del sistema. Los sistemas certificados para la reducción de quistes puede utilizarse en aguas desinfectadas que puedan contener quistes filtrables. Número de establecimiento de 10350-MN-005

! PRECAUCIÓN

Para reducir el riesgo asociado con daños materiales debidos a fugas de agua:

- **Lea y cumpla** las instrucciones de uso del filtro de agua antes de la instalación y uso de este sistema.
- La instalación y uso **DEBE** cumplir con todas las normativas de fontanería estatales y locales.
- **No** instalar si la presión del agua excede los 120 psi (827 kPa). Póngase en contacto con un fontanero profesional si no está seguro de cómo comprobar la presión del agua.
- **No** instalar en sistemas donde se pueda producir el efecto de golpe de ariete. Si existe una situación de golpe de ariete en la instalación, debe instalar un amortiguador de golpe de ariete. Póngase en contacto con un fontanero profesional si no está seguro de cómo comprobar esta situación.
- **No** instalar en tuberías de suministro de agua caliente. La temperatura máxima de funcionamiento del agua de este sistema de filtrado de agua es de 38 °C (100 °F).
- **Proteja el filtro de agua de la congelación.** No use el frigorífico en condiciones ambientales por debajo de los 13 °C (55 °F). Drene el filtro de agua cuando almacene la unidad en temperaturas inferiores a los 4,4 °C (40 °F).
- El filtro de agua desechable se debe reemplazar cada seis meses, a la capacidad nominal, o si se produce una significativa reducción del flujo.

CUIDADO Y LIMPIEZA

! ADVERTENCIA



Riesgo de explosión

Use un limpiador no inflamable. Si no se respeta esta advertencia, existe peligro de explosión, incendio o muerte.

Tanto las secciones refrigerador como congelador se descongelan de forma automática; sin embargo, se recomienda limpiar ambas secciones una vez al mes para evitar la aparición de olores. Seque los derrames inmediatamente.

SUGERENCIAS GENERALES DE LIMPIEZA

- Desenchufe el refrigerador o desconecte la alimentación.
- Retire todos los componentes extraíbles, como estantes, cajones, etc. Consulte las secciones en **Uso del refrigerador** para obtener instrucciones acerca del desmontaje.
- Use una esponja limpia o un trapo suave, junto con un detergente suave en agua templada. No utilice limpiadores abrasivos o agresivos.
- Lave a mano, aclare y seque todas las superficies a fondo.
- Enchufe el refrigerador o vuelva a conectar la corriente.

EXTERIOR

El encerado de las superficies metálicas pintadas externas proporciona una protección contra el óxido. No encere las piezas de plástico. Encere las superficies metálicas pintadas al menos dos veces al año con cera para electrodomésticos (o cera en pasta para coches). Aplique la cera con un trapo suave y limpio.

Para productos con un exterior en acero inoxidable, use una esponja limpia o un trapo suave, junto con un detergente suave en agua templada. No utilice limpiadores abrasivos o agresivos. Seque a fondo con un trapo suave.

PAREDES INTERIORES (deje que el congelador se caliente para que el trapo no se quede pegado)

Para ayudarle a eliminar los olores, puede lavar el interior del refrigerador con una mezcla de bicarbonato sódico y agua templada. Mezcle 2 cucharadas soperas de bicarbonato sódico (unos 26 g) en 1 litro de agua. Asegúrese de que el bicarbonato sódico esté completamente disuelto para que no raye las superficies del refrigerador.

! PRECAUCIÓN: Cuando esté limpiando el interior, no pulverice agua.

REVESTIMIENTO DE LAS PUERTAS Y JUNTAS

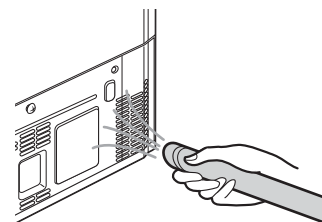
Use una esponja limpia o un trapo suave, junto con un detergente suave en agua templada. No utilice ceras de limpieza, detergentes concentrados, lejías ni limpiadores que contengan petróleo en las piezas del refrigerador que son de plástico.

PIEZAS DE PLÁSTICO (tapas y paneles)

Use una esponja limpia o un trapo suave, junto con un detergente suave en agua templada. No utilice sprays para ventanas, limpiadores abrasivos ni líquidos inflamables, ya que pueden arañar o dañar el material.

BOBINAS DEL CONDENSADOR

Use un aspirador con un accesorio para limpiar las bobinas del condensador y las rejillas de ventilación. No retire el panel que cubre el área de las bobinas del condensador.



SUSTITUCIÓN DE LA BOMBILLA

⚠ ADVERTENCIA**Riesgo de descargas eléctricas**

Antes de reemplazar la bombilla de un compartimento, desenchufe el refrigerador o corte la corriente en el disyuntor o en la caja de fusibles.

NOTA: La lámpara del compartimento del refrigerador es una iluminación interior mediante LEDs por lo que el mantenimiento deberá ser realizado por un técnico cualificado.

INTERRUPCIONES DE ALIMENTACIÓN

1. Si la interrupción de la corriente durará 24 horas o menos, mantenga todas las puertas del refrigerador cerradas para que los alimentos permanezcan fríos y congelados.
2. Si la interrupción de la corriente durará más de 24 horas, saque todos los alimentos congelados y almacénelos en un arcón congelador.

CUANDO SE VA DE VACACIONES

Si decide dejar encendido el refrigerador mientras está fuera, siga estos pasos para preparar el refrigerador antes de irse.

1. Consuma los alimentos perecederos y congele los demás.
2. Apague la máquina de hielo y vacíe el depósito de hielo.

Si decide apagar el refrigerador antes de partir, siga estos pasos.

1. Saque todos los alimentos del refrigerador.
2. En función del modelo, ajuste el control del termostato (control del refrigerador) en OFF. Consulte la sección **Ajuste de los controles**.
3. Limpie el refrigerador y séquelo a fondo.
4. Con cinta adhesiva, coloque bloques de madera o goma en la parte superior de ambas puertas para mantenerlas lo suficientemente abiertas para que pueda pasar el aire. Esto evitará la aparición de moho y malos olores.

CUANDO SE MUDA

Cuando vaya a trasladar su refrigerador a una nueva casa, siga estos pasos para prepararlo para la mudanza.

1. Saque todos los alimentos del refrigerador y empaquete todos los alimentos congelados en hielo seco.
2. Desenchufe el refrigerador.
3. Lávelo y séquelo a fondo.
4. Retire todos los componentes extraíbles, envuélvalos bien y, con cinta adhesiva, embálelos juntos para que no se muevan ni traqueteen durante la mudanza. Consulte la sección **Uso del refrigerador** para obtener instrucciones sobre componentes extraíbles.
5. En función del modelo, levante la parte delantera del refrigerador para que ruede con más facilidad O BIEN atornille los pies de nivelación para que no rayen el suelo. Consulte la sección **Cierre de las puertas**.
6. Use cinta adhesiva para mantener las puertas cerradas y para pegar el cable de alimentación al cuerpo del refrigerador.

Cuando llegue a su nueva casa, vuelva a colocar todo en su sitio y consulte la sección **Instalación del refrigerador** para obtener las instrucciones de preparación.

CONEXIÓN DE LA TUBERÍA DE AGUA

ANTES DE EMPEZAR

Esta instalación de la tubería de agua no está cubierta por la garantía del refrigerador. Siga estas instrucciones con cuidado para minimizar el riesgo de costosos daños debidos al agua.

El golpe de ariete (golpeteo del agua en las tuberías) en la fontanería de la casa podría dañar componentes del refrigerador y provocar una fuga o una inundación de agua. Llame a un fontanero cualificado para resolver el golpe de ariete antes de instalar la tubería de suministro de agua en el refrigerador.

⚠ PRECAUCIÓN: Para evitar quemaduras y daños en el producto, conecte solamente el tubo de agua del refrigerador a un suministro de agua fría.

Si utiliza el refrigerador antes de la conexión al suministro de agua, asegúrese de apagar la máquina de hielo en el panel de control.

⚠ PRECAUCIÓN: No instale la tubería de la máquina de hielo en zonas donde las temperaturas descienden por debajo del punto de congelación.

PRESIÓN DEL AGUA

Un suministro de agua fría. La presión del agua debe estar entre los 20 y los 120 psi. Si el refrigerador se instala en un área con baja presión de agua (menos de 20 psi), se puede instalar una bomba de carga para compensar la baja presión.

Si se conecta un **sistema de filtración de agua de ósmosis inversa** al suministro de agua fría, esta instalación de la tubería de agua no está cubierta por la garantía del refrigerador. Siga estas instrucciones con cuidado para minimizar el riesgo de costosos daños debidos al agua.

Si se conecta un **sistema de filtración de agua de ósmosis inversa** al suministro de agua fría, la presión de agua al sistema de ósmosis inversa debe ser como mínimo de entre 40 y 60 psi (276-414 kPa o 2,8-4,2 kgf/cm², menos de 2-3 s para llenar un vaso de 7 oz o 198 cc de capacidad).

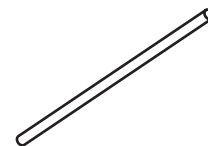
Si la presión del agua del sistema de ósmosis inversa es inferior a 20 psi o 138 kPa o 1,4 kgf/cm² (se necesitan más de 4 s para llenar un vaso de 7 oz o 198 cc de capacidad):

- Compruebe si el filtro de sedimentos del sistema de ósmosis inversa está bloqueado. Reemplace el filtro si es necesario.
- Después de un uso intensivo, déle tiempo al depósito de almacenamiento del sistema de ósmosis inversa para que se llene.
- Si el problema relacionado con la presión de agua procedente de la ósmosis inversa persiste, llame a un fontanero cualificado.
- Todas las instalaciones deben realizarse conforme a los requisitos de los códigos locales de fontanería.

⚠ PRECAUCIÓN: Use gafas protectoras durante la instalación para evitar lesiones.

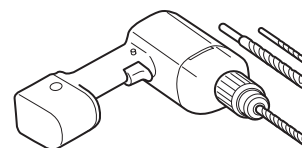
QUÉ NECESITARÁ

- **Tubería de cobre**, de 1/4 de pulgada de diámetro, para conectar el refrigerador al suministro de agua. Asegúrese de que ambos extremos de la tubería están cortados a escuadra.
- Para determinar la cantidad de tubería que necesita: mida la distancia desde la válvula de agua situada en la parte posterior del refrigerador a la tubería del suministro de agua. A continuación, súmele 2,4 metros (8 pies). Asegúrese de que haya suficiente tubería adicional (aproximadamente 2,4 metros [8 pies] enrollada en 3 vueltas de unos 25 cm [10 pulg.] de diámetro) para permitir que se pueda despegar el refrigerador de la pared después de la instalación.

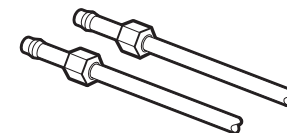


- **Taladro eléctrico.**
- **Llave de 1/2 pulg. o una llave inglesa.**
- **Destornilladores de punta plana y de estrella.**

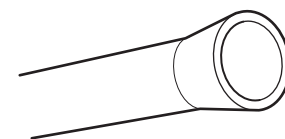
- **Dos tuercas de compresión con un diámetro exterior de 1/4 de pulg. y 2 abrazaderas** para unir el tubo de cobre a la válvula de corte y a la válvula de agua del refrigerador.



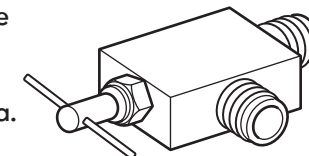
- Si la tubería de agua de cobre existente tiene una conexión abocinada en el extremo, necesitará un **adaptador** (disponible en cualquier ferretería) para conectar la tubería de agua al refrigerador o puede cortar la conexión abocinada con un cortatubos y, a continuación, usar una tuerca de unión.



- **Una válvula de corte para conectar a la tubería de agua fría.** La válvula de corte debería tener una entrada de agua con un diámetro interior mínimo de 5/32 pulg. en el punto de conexión con la TUBERÍA DE AGUA FRÍA. Las válvulas de corte de montura se incluyen en muchos kits de suministros de agua. Antes de comprarla, asegúrese de que la válvula de montura cumple con los códigos locales de fontanería.



NOTA: No se debe usar una válvula de agua de tipo de montura autoperforante.



⚠ ADVERTENCIA

Riesgo de descargas eléctricas

Si usa un dispositivo eléctrico (como un taladro) durante la instalación, asegúrese de que esté alimentado por batería y que tenga doble aislamiento o que esté correctamente conectado a tierra de manera que evite el riesgo de una descarga eléctrica.

INSTRUCCIONES DE INSTALACIÓN

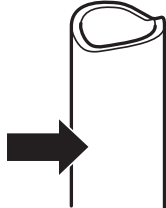
Instale la válvula de corte cerca de la tubería de agua potable que más se usa.

1. CORTE EL SUMINISTRO DE AGUA PRINCIPAL

Abra el grifo más cercano para liberar la presión de la línea.

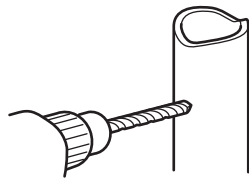
2. ELIJA LA UBICACIÓN DE LA VÁLVULA

Elija una ubicación para la válvula a la que se pueda acceder fácilmente. Es mejor conectarla en el lateral de una tubería de agua vertical. Cuando sea necesario conectarla en una tubería de agua horizontal, realice la conexión en la parte superior o lateral, en lugar de conectarla a la parte inferior, para evitar la acumulación de sedimentos de la tubería de agua.



3. TALADRE EL ORIFICIO PARA LA VÁLVULA

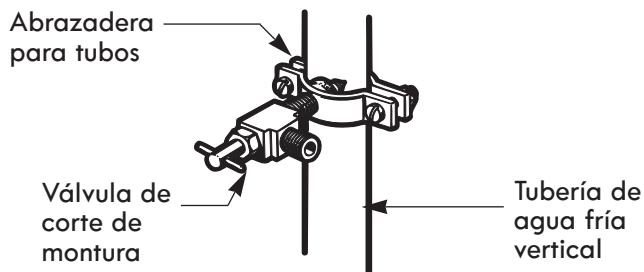
Taladre un orificio de 1/4 pulg. en la tubería de agua mediante una punta afilada. Quite todas las rebabas resultantes de taladrar el orificio en la tubería. Tenga cuidado de que no caiga agua en el taladro. Si no se taladra un orificio de 1/4 de pulg., podría verse reducida la producción de hielo y el tamaño de los cubitos.



NOTA: La tubería de conexión no puede ser una tubería blanca de plástico. Los fontaneros profesionales solo pueden utilizar tuberías de cobre (tuberías NDA #49595 o #49599) o tuberías de Polietileno Reticular (PEX).

4. FIJE LA VÁLVULA DE CORTE

Fije la válvula de corte a la tubería de agua fría con la abrazadera para tubos.

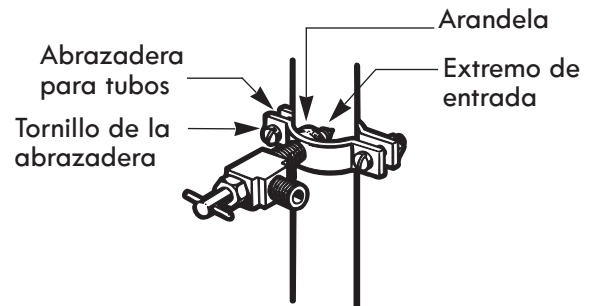


NOTA: Se deben cumplir los códigos de fontanería 248CMR del Estado de Massachusetts. Las válvulas de montura son ilegales y no se permite su uso en Massachusetts. Consulte a su fontanero autorizado.

5. APRIETE LA ABRAZADERA PARA TUBOS

Apriete los tornillos de la abrazadera hasta que la arandela de sellado comience a hincharse.

NOTA: Tenga cuidado de no sobreapretar la abrazadera, ya que podría romper la tubería.



6. ENCAMINE LA TUBERÍA

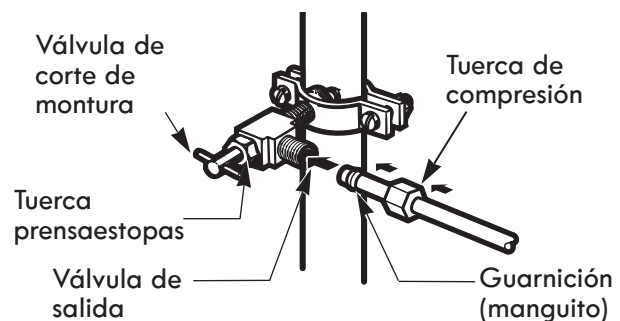
Encamine la tubería entre la tubería de agua fría y el refrigerador.

Encamine la tubería a través de un orificio taladrado en la pared o suelo (detrás del refrigerador o junto a la base del aparato) lo más cerca de la pared que sea posible.

NOTA: Asegúrese de que haya suficiente tubería adicional (aproximadamente 2,4 metros enrollada en 3 vueltas de unos 25 cm diámetro) para permitir que se pueda despegar el refrigerador de la pared después de la instalación.

7. CONECTE LA TUBERÍA A LA VÁLVULA

Coloque la tuerca de compresión y la abrazadera para la tubería de cobre en el extremo de la tubería y conéctela a la válvula de corte. Asegúrese de que la tubería está completamente insertada en la válvula. Apriete la tuerca de compresión con fuerza.



NOTA: Se deben cumplir los códigos de fontanería 248CMR del Estado de Massachusetts. Las válvulas de montura son ilegales y no se permite su uso en Massachusetts. Consulte a su fontanero autorizado.

CONEXIÓN DE LA TUBERÍA DE AGUA

8. ACLARE EL INTERIOR DE LA TUBERÍA

Active el suministro de agua principal y deje correr el agua por la tubería hasta que salga agua limpia.

Corte la válvula de agua después de que haya pasado aproximadamente un litro de agua a través de la tubería.

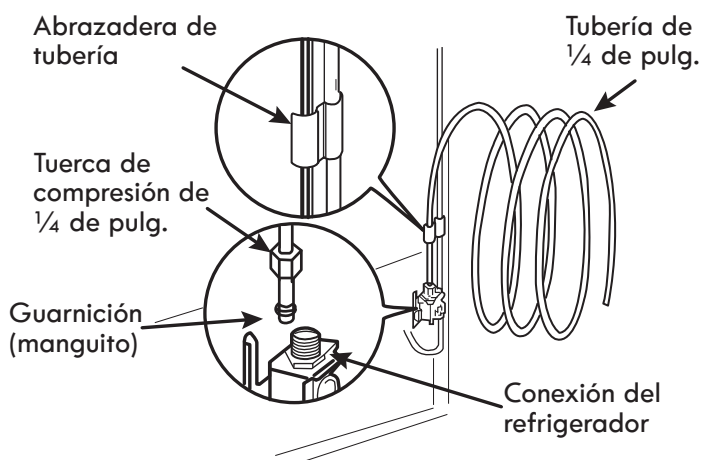


9. CONECTE LA TUBERÍA AL REFRIGERADOR

! ADVERTENCIA

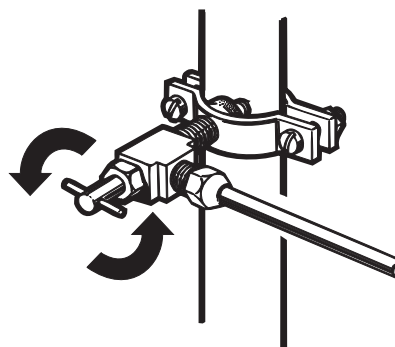
Antes de realizar la conexión al refrigerador, asegúrese de que el cable de alimentación del refrigerador no está enchufado a la toma de corriente.

1. Retire la tapa de plástico flexible de la válvula de agua.
2. Coloque la tuerca de compresión y la guarnición (manguito) en el extremo del tubo tal como se muestra en la imagen.
3. Inserte el extremo de la tubería de cobre en la conexión todo lo que pueda. Mientras sujeta la tubería, apriete el adaptador.



10. ABRA EL PASO DE AGUA EN LA VÁLVULA DE CORTE

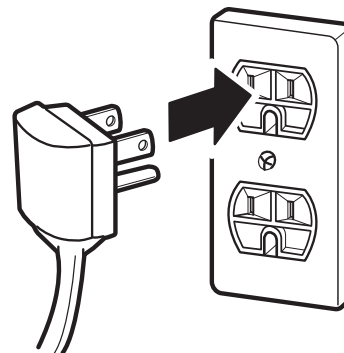
Apriete las conexiones que goteen.



- ! PRECAUCIÓN:** Compruebe si hay fugas en las conexiones de las tuberías de agua.

11. ENCHUFE EL REFRIGERADOR

Disponga la bobina de tubería de tal manera que no vibre contra la parte posterior del refrigerador ni contra la pared. Empuje el refrigerador hacia la pared.



12. ENCIENDA LA MÁQUINA DE HIELO

Encienda la máquina de hielo en el panel de control.

La máquina de hielo no comenzará a funcionar hasta que no alcance su temperatura de funcionamiento de -9°C (15°F) o menos. Se pondrá en funcionamiento automáticamente si se ha puesto en ON el botón de la máquina de hielo.

GUÍA DE SOLUCIÓN DE PROBLEMAS

Before conducting troubleshooting, make sure that the following basic requirements are met:

Flujo de servicio	1,9 lpm (0,5 gpm)
Suministro de agua	Agua potable
Presión del agua	138 - 827 kPa (20-120 psi)
Límites de temperatura ambiente para el funcionamiento	55°F - 110°F
Especificaciones eléctricas	115 voltios, 60 Hz, AC únicamente, y fusionado a 15 o 20 amperios.

ENFRIADO

Problema	Causas posibles	Solutions
Las secciones del refrigerador y del congelador no enfrían.	El control del refrigerador está en la posición OFF (en algunos modelos).	Encienda el control. Consulte la sección Ajuste de los controles para obtener información acerca de los ajustes correctos de temperatura.
	El refrigerador está en Demo Mode (Modo Demostración).	El Modo demostración permite que las luces y la pantalla de control funcionen con normalidad, si bien el sistema de refrigeración está deshabilitado para ahorrar energía, mientras el electrodoméstico está en la planta de exposición del establecimiento comercial. Consulte la sección Ajuste de los controles para obtener instrucciones sobre cómo desactivar el Modo Demostración.
	El refrigerador está en el ciclo de descongelación.	Durante el ciclo de descongelación, la temperatura de cada compartimiento puede aumentar ligeramente. Espere 30 minutos y una vez que se haya completado el ciclo de descongelación, verifique que la temperatura correcta se haya restablecido.
	El refrigerador se instaló recientemente.	Puede tomar hasta 24 horas para que cada compartimiento alcance la temperatura deseada.
	El refrigerador se trasladó recientemente.	Si el refrigerador estuvo fuera de uso por mucho tiempo, o si estuvo guardado de costado, es necesario que se lo posiciones de manera vertical por 24 horas antes de conectarlo a la energía eléctrica.
El sistema de enfriado funciona por demasiado tiempo.	El refrigerador ha reemplazado a un modelo más antiguo.	Los refrigeradores modernos requieren más tiempo de funcionamiento pero consumen menos energía gracias a una tecnología más eficiente.
	El refrigerador se acaba de enchufar o la electricidad se acaba de restablecer.	El refrigerador puede tardar hasta 24 horas en enfriarse completamente.
	La puerta se abre a menudo o se acaba de introducir una gran cantidad de alimentos/ alimentos calientes.	Cuando se introducen alimentos o se abren las puertas, aumenta la temperatura del refrigerador, lo que obliga al compresor a funcionar por más tiempo para volver a enfriar el refrigerador. Para ahorrar energía, intente sacar todo lo que necesite del refrigerador de una sola vez, mantenga los alimentos organizados para que resulte fácil encontrarlos, y cierre la puerta en cuanto saque el alimento. (Consulte la Guía para el almacenamiento de alimentos).
	Las puertas no están completamente cerradas.	Empuje firmemente para cerrar las puertas. Si éstas no se cierran por completo, consulte el apartado "Las puertas no se cierran completamente o quedan abiertas en la sección Componentes y Características de la Guía de resolución de problemas.
	El refrigerador está instalado en un lugar caluroso.	El compresor funcionará por más tiempo en condiciones calurosas. A temperaturas ambiente normales (21 °C), el compresor debería funcionar entre el 40% y el 80% del tiempo. En condiciones más calurosas, sería esperable que funcionara incluso más a menudo. No se debería usar el refrigerador si la temperatura supera los 43°C.
	La tapa posterior/ el condensador está obstruida/o.	Use un aspirador con un accesorio para limpiar las bobinas del condensador y las rejillas de ventilación. No retire el panel que cubre el área de las bobinas del condensador.

ENFRIADO

Problema	Causas posibles	Solutions
La sección del REFRIGERADOR o del CONGELADOR está demasiado caliente.	El refrigerador se instaló recientemente.	Puede tomar hasta 24 horas para que cada compartimiento alcance la temperatura deseada.
	Los conductos de ventilación del aire están bloqueados.	Reorganice los artículos dentro del electrodoméstico para permitir que el aire fluya a través del compartimiento. Consulte el diagrama de Flujo de aire en la sección Uso del refrigerador.
	Las puertas se abren a menudo o por largos períodos de tiempo.	Cada vez que las puertas se abren a menudo o por largos períodos de tiempo, ingresa aire caliente y húmedo al compartimiento. Esto aumenta la temperatura y el nivel de humedad dentro de compartimiento. Para disminuir el efecto, reduzca la frecuencia y duración de apertura de la puerta.
	La unidad está instalada en un lugar caluroso.	No se debería usar el refrigerador si la temperatura supera los 43°C (110°F).
	Se agregó una gran cantidad de alimentos o alimentos calientes al alguno de los compartimientos.	Agregar alimentos calientes el compartimiento, con lo cual se necesita que el sistema de enfriado comience a funcionar. Dejar que la comida caliente se enfríe a temperatura ambiente antes de ponerla en el refrigerador reducirá dicho efecto.
	Las puertas no cierran correctamente.	Consulte el apartado “Las puertas no se cierran completamente o quedan abiertas” en la sección Componentes y Características de la Guía de resolución de problemas.
	El control de temperatura no es el adecuado.	Si la temperatura no está lo suficientemente fría, ajuste el control de a un punto a la vez y espere a que la temperatura se estabilice. Consulte la sección Ajuste de los controles para obtener mayor información.
	El ciclo de descongelación se ha completado recientemente.	Durante el ciclo de descongelación, la temperatura de cada compartimiento puede aumentar ligeramente y se puede formar condensación en la pared trasera. Espere 30 minutos y una vez que se haya completado el ciclo de descongelación, verifique que la temperatura correcta se haya restablecido.
Acumulación de humedad en el interior	Las puertas se abren seguido o por largos períodos de tiempo.	Cada vez que las puertas se abren seguido o por largos períodos de tiempo, ingresa aire caliente y húmedo al compartimiento. Esto aumenta la temperatura y el nivel de humedad dentro de compartimiento. Para disminuir el efecto, reduzca la frecuencia y duración de apertura de la puerta.
	Las puertas no cierran correctamente.	Consulte el apartado “Las puertas no se cierran correctamente” en la sección Guía para la solución de problemas.
	El clima es húmedo.	El clima húmedo hace que más humedad ingrese a los compartimientos cuando se abren las puertas, provocando condensación o congelación. Mantener un nivel razonable de humedad en el hogar ayudará a controlar la cantidad de humedad que ingresa en los compartimientos.
	El ciclo de descongelación se acaba de completar.	Durante el ciclo de descongelación, la temperatura de cada compartimiento puede aumentar ligeramente y se puede formar condensación en la pared trasera. Espere 30 minutos y una vez que se haya completado el ciclo de descongelación, verifique que la temperatura correcta se haya restablecido.
	Los alimentos no están empaquetados correctamente.	Los alimentos destapados o desenvueltos y los envases húmedos pueden provocar la acumulación de humedad dentro de cada compartimiento. Limpie y seque todos los envases, y almacene los alimentos en empaques sellados para prevenir la condensación y la congelación.

ENFRIADO/ HIELO Y AGUA

Problema	Causas posibles	Solutions
Los alimentos se congelan en el compartimiento del refrigerador.	Alimentos con alto contenido de agua fueron colocados cerca de la ventilación de aire.	Reubique los alimentos con alto contenido de agua lejos de las ventilaciones de aire.
	El control de temperatura del refrigerador está incorrectamente ajustado.	Si la temperatura está demasiado fría, ajuste el control de a un punto a la vez y espere a que la temperatura se estabilice. Consulte la sección Ajuste de los controles para obtener mayor información.
	El refrigerador está instalado en un lugar frío.	Cuando el refrigerador funciona a una temperatura menor a los 5°C (41°F), los alimentos pueden congelarse en el compartimiento del refrigerador. No se debería usar el refrigerador si la temperatura es inferior a los 13°C (55°F).
Se forman cristales de hielo o escarcha en los alimentos congelados (fuera de los paquetes).	La puerta se abre seguido o por largos períodos de tiempo.	Cada vez que las puertas se abren a menudo o por largos períodos de tiempo, ingresa aire caliente y húmedo al compartimiento. Esto aumenta la temperatura y el nivel de humedad dentro de compartimiento. La humedad produce congelación y condensación. Para disminuir el efecto, reduzca la frecuencia y duración de apertura de la puerta.
	La puerta no se cierra correctamente.	Consulte el apartado "Las puertas no se cierran completamente o quedan abiertas" en la sección de la Guía de resolución de problemas.
La sección del REFRIGERADOR o del CONGELADOR está demasiado fría.	Los ajustes de control de temperatura son incorrectos.	Si la temperatura está demasiado fría, ajuste el control de a un punto a la vez y espere a que la temperatura se estabilice. Consulte la sección Ajuste de los controles para obtener mayor información.
Se forman cristales de hielo o escarcha en los alimentos congelados (dentro de paquetes sellados).	La condensación proveniente de los alimentos con alto contenido de agua provoca la congelación en el interior del paquete del alimento.	Esto es normal en alimentos con alto contenido de agua.
	Los alimentos se han dejado en el congelador por un largo tiempo.	No almacene alimentos con alto contenido de agua en el congelador durante mucho tiempo.
La máquina de hielo no hace suficiente hielo.	La necesidad de hielo excede la capacidad de almacenamiento de hielo.	La máquina de hielo fabricará aproximadamente 70-182 cubitos en un período de 24 horas.
	El suministro de agua del hogar no está conectado, la válvula no está completamente encendida, o la válvula está obstruida.	Conecte el refrigerador al suministro de agua fría con adecuada presión y abra completamente la válvula de corte de agua. Si el problema persiste, puede ser necesario contactar a un plomero.
	El filtro de agua está agotado.	Se recomienda reemplazar el filtro de agua: <ul style="list-style-type: none"> • Aproximadamente cada seis meses. • Cuando se encienda el indicador del filtro del agua. • Cuando disminuya el caudal del dispensador de agua. • Cuando los cubitos de hielo sean más pequeños de lo normal.
	Baja presión de suministro de agua en el hogar.	La presión del agua debe estar entre los 20 y los 120 psi en modelos sin filtro de agua, y entre los 40 y 120 psi en modelos con filtro de agua. Si el problema continúa, puede ser necesaria la ayuda de un fontanero o la instalación de una bomba de carga para compensar la baja presión del agua.
	Se utilizar un sistema de filtración de agua de ósmosis inversa.	Los sistemas de filtración de agua de ósmosis inversa pueden reducir la presión de agua por debajo del mínimo y provocar problemas en la máquina de hielo. (Consulte la sección Presión del agua).
	La tubería que conecta el refrigerador al suministro del hogar está retorcida.	La tubería se puede retorcer cuando el refrigerador se mueve durante la instalación o limpieza, lo que provoca un flujo de agua reducido. Enderece o repare el conducto de suministro del agua y arréglole a fin de prevenir futuras torceduras.

HIELO Y AGUA

Problema	Causas posibles	Solutions
La máquina de hielo no hace suficiente hielo (continuación).	Las puertas se abren seguido o por largos períodos de tiempo.	Si las puertas de la unidad se abren a menudo, el aire ambiental calentará el refrigerador e impedirá que la unidad pueda mantener la temperatura establecida. Para ayudar a resolver este problema puede bajar la temperatura del refrigerador, además de no abrir la puerta con tanta frecuencia.
	Las puertas no están completamente cerradas.	Si las puertas no se cierran correctamente, la fabricación de hielo se verá afectada. Para obtener mayor información, consulte el apartado "Las puertas no se cierran completamente o quedan abiertas" en la sección Componentes y Características de la Guía de resolución de problemas.
	El ajuste de temperatura del congelador es demasiado cálido.	La temperatura recomendada para el compartimento del congelador para una fabricación normal de hielo es de -18°C (0°F). Si la temperatura del congelador es superior, la fabricación de hielo se verá afectada.
Se dispensa agua lentamente.	El filtro de agua está agotado.	Se recomienda reemplazar el filtro de agua: <ul style="list-style-type: none"> • Aproximadamente cada seis meses. • Cuando se encienda el indicador del filtro del agua. • Cuando disminuya el caudal del dispensador de agua. • Cuando los cubitos de hielo sean más pequeños de lo normal.
	Se utiliza un sistema de filtración de agua de ósmosis inversa.	Los sistemas de filtración de agua de ósmosis inversa pueden reducir la presión de agua por debajo del mínimo y provocar problemas en la máquina de hielo. Si el problema continúa, puede ser necesaria la ayuda de un fontanero o la instalación de una bomba de carga para compensar la baja presión del agua.
	Baja presión de suministro de agua en el hogar.	La presión del agua debe estar entre los 20 y los 120 psi en modelos sin filtro de agua, y entre los 40 y 120 psi en modelos con filtro de agua. Si el problema continúa, puede ser necesaria la ayuda de un fontanero o la instalación de una bomba de carga para compensar la baja presión del agua.
No se dispensa hielo.	Las puertas no están completamente cerradas.	El hielo no se dispensará si hay alguna puerta del refrigerador abierta.
	Uso poco frecuente del dispensador.	Si el dispensador de hielo se usa con poca frecuencia, con el tiempo los cubitos de hielo se pegan unos a otros, lo que impide que se dispensen correctamente. Compruebe el depósito de hielo en busca de cubitos agrupados o pegados entre sí. Si los hubiera, sepárelos para que el dispensador funcione correctamente.
	El conducto de dispensación está obstruido con escarcha o fragmentos de hielo.	Para eliminar la escarcha o los fragmentos de hielo, desmonte el depósito de hielo y libere el conducto con un utensilio de plástico. La dispensación de hielo en cubitos también ayuda a evitar la formación de escarcha y fragmentos de hielo.
	La pantalla del dispensador está bloqueada.	Mantenga presionado el botón Lock durante tres segundos para desbloquear el panel de control y el dispensador.
	El depósito de hielo está vacío.	Puede tomar hasta 24 horas para que cada compartimento alcance la temperatura deseada y para que la máquina de hielo comience a fabricar hielo. Asegúrese de que el corte (brazo/sensor) no esté obstruido. Una vez que se haya ventilado el suministro de hielo en el depósito de hielo, puede tomar hasta 90 minutos para que esté disponible más hielo, y aproximadamente 24 horas para poder rellenar el depósito por completo.

HIELO Y AGUA

Problema	Causas posibles	Solutions
La máquina de hielo no hace hielo.	El refrigerador se instaló recientemente o la máquina de hielo se conectó recientemente.	Puede tomar hasta 24 horas para que cada compartimento alcance la temperatura deseada y para que la máquina de hielo comience a fabricar hielo.
	La máquina de hielo no está encendida.	Localice el interruptor ON/OFF (encendido/apagado) de la máquina de hielo y confirme que está en la posición ON.
	El refrigerador no está conectado a un suministro de agua o la válvula de corte del suministro no está abierta.	Conecte el refrigerador al suministro de agua y abra completamente la válvula de corte de agua.
	Apagado de la máquina de hielo (brazo palpador) obstruido.	Si su máquina de hielo viene equipada con un brazo de corte de hielo, asegúrese de que el brazo se mueva libremente.
	Tiene conectado un sistema de filtración de agua de ósmosis inversa al suministro de agua fría.	Los sistemas de filtración de agua de ósmosis inversa pueden reducir la presión de agua por debajo del mínimo y provocar problemas en la máquina de hielo. (Consulte la sección Presión del agua).
No se dispensa agua.	Nueva instalación o conducto de agua recientemente conectado.	Dispense 9 litros de agua (deje correr el agua durante unos 5 minutos) para purgar el aire atrapado y los contaminantes del sistema. No dispense los 9 litros de agua de manera continua. Pulse y suelte el botón del dispensador en ciclos de 30 segundos ON (encendido) y 60 segundos OFF (apagado).
	El panel del dispensador está bloqueado.	Mantenga presionado el botón Lock durante tres segundos para desbloquear el panel de control y el dispensador.
	El dispensador no está ajustado para dispensar agua.	El dispensador se puede ajustar para que dispense hielo o agua. Compruebe que el panel de control está ajustado para el funcionamiento deseado. Presione el botón Water (agua) en el panel de control para dispensar agua.
	Las puertas del refrigerador o del congelador no están cerradas correctamente.	El agua no se dispensará si hay alguna puerta del refrigerador abierta.
	El filtro de agua se sacó o se cambió recientemente.	Después de reemplazar el filtro de agua, dispense 9 litros de agua (deje correr el agua durante unos 5 minutos) para purgar el aire atrapado y los contaminantes del sistema; No dispense los 9 litros de agua de manera continua. Pulse y suelte el botón del dispensador por ciclos de 30 segundos ON (encendido) y 60 segundos OFF (apagado).
	La tubería que conecta el refrigerador al suministro del hogar está retorcida.	La tubería se puede retorcer cuando el refrigerador se mueve durante la instalación o limpieza, lo que provoca un flujo de agua reducido. Enderece o repare el conducto de suministro del agua y arréglole a fin de prevenir futuras torceduras.
El suministro de agua del hogar no está conectado, la válvula no está completamente encendida, o la válvula está obstruida.	Conecte el refrigerador al suministro de agua y abra completamente la válvula de corte de agua. Si el problema persiste, puede ser necesario contactar a un plomero.	

HIELO Y AGUA

Problema	Causas posibles	Solutions
El hielo huele o sabe mal.	El suministro de agua contiene minerales tales como el azufre.	Es posible que deba reemplazar el filtro de agua para eliminar los problemas de olor y sabor. NOTA: En algunos casos, un filtro podría no ser de ayuda. Puede no resultar posible quitar todo mineral/ olor/sabor en todos los suministros de agua.
	La máquina de hielo se instaló hace poco tiempo.	Deseche las primeras tandas de hielo para evitar hielo manchado o con mal sabor.
	El hielo ha estado almacenado por demasiado tiempo.	El hielo almacenado por demasiado tiempo se achicará, se volverá turbio, y puede desarrollar un sabor rancio. Deseche el hielo antiguo y fabrique un nuevo suministro.
	Los alimentos no se han almacenado correctamente en los compartimentos.	Vuelva a envolver los alimentos. Vuelva a envolver los alimentos ya que, si no están correctamente envueltos, los olores podrían migrar hasta el hielo.
	El interior del refrigerador necesita una limpieza.	Consulte la sección Cuidado y limpieza para obtener más información.
	El depósito de hielo necesita una limpieza.	Vacíe y limpie el depósito (deseche los cubitos de hielo viejos). Asegúrese de que el depósito está completamente seco antes de reinstalarlo.
El agua del dispensador está caliente.	El refrigerador se ha instalado recientemente.	Espere 24 horas tras la instalación a que el depósito de almacenamiento del agua se enfríe completamente.
	El dispensador de agua se ha utilizado recientemente y el depósito estaba vacío.	Dependiendo de su modelo específico, la capacidad de almacenamiento de agua será de aproximadamente 20 a 30 oz.
	No se ha utilizado el dispensador durante varias horas.	Si el dispensador no se utilizó por varias horas, el primer vaso dispensado puede no estar lo suficientemente frío. Deseche las primeras 10 onzas.
	El refrigerador está conectado al suministro de agua caliente.	Asegúrese de que el refrigerador está conectado a una tubería de agua fría. ⚠ ADVERTENCIA: Conectar el refrigerador a un conducto de agua caliente puede dañar la máquina de hielo.
El agua huele o sabe mal.	El suministro de agua contiene minerales, por ejemplo, azufre.	Es posible que deba reemplazar el filtro de agua para eliminar los problemas de olor y sabor.
	El filtro de agua está agotado.	Se recomienda reemplazar el filtro de agua: <ul style="list-style-type: none"> • Aproximadamente cada 6 meses. • Cuando se encienda el indicador del filtro del agua. • Cuando disminuya el caudal del dispensador de agua. • Cuando los cubitos de hielo sean más pequeños de lo normal.
	El refrigerador se ha instalado recientemente.	Dispense 9 litros de agua (deje correr el agua durante unos 5 minutos) para purgar el aire atrapado y los contaminantes del sistema. No dispense los 9 litros de agua de manera continua. Pulse y suelte el botón del dispensador en ciclos de 30 segundos ON (encendido) y 60 segundos OFF (apagado).
La máquina de hielo hace demasiado hielo.	Apagado de la máquina de hielo (brazo palpador) obstruido.	Vacíe el recipiente de hielo. Si la máquina de hielo incorpora un brazo de apagado, asegúrese de que se mueva libremente. Vuelva a instalar el recipiente de hielo y espere 24 horas para comprobar su correcto funcionamiento.

RUIDO

Problema	Causas posibles	Solutions
Clics	El control de descongelación emitirá un “clic” al comenzar y al finalizar el ciclo de descongelación. El control del termostato (o control del refrigerador en algunos modelos) también emitirá un “clic” al iniciar o finalizar un ciclo.	Funcionamiento normal.
Traqueteo	Los ruidos de traqueteos pueden proceder del flujo del refrigerante, de la tubería de agua en la parte posterior de la unidad, o de artículos almacenados encima o alrededor del refrigerador.	Funcionamiento normal.
	El refrigerador no está sólidamente apoyado en el suelo.	El suelo es poco sólido o irregular, o es necesario ajustar los pies de nivelación. Consulte la sección Alineación de las puertas.
	El refrigerador con compresor lineal se sacudió mientras estaba funcionando.	Funcionamiento normal.
Ruido de aspas	El motor del ventilador del evaporador está moviendo el aire a través de los compartimentos del refrigerador y del congelador.	Funcionamiento normal.
	El ventilador del condensador está forzando el paso de aire a través del condensador.	Funcionamiento normal.
Borboteo	Refrigerante está fluyendo a través del sistema de enfriamiento.	Funcionamiento normal.
Crujido	Se produjo la contracción y expansión de las paredes internas debido a cambios en la temperatura.	Funcionamiento normal.
Crepitación	El agua cayendo en el calentador de descongelación durante un ciclo de descongelación.	Funcionamiento normal.
Vibración	Si el lateral o la parte posterior del refrigerador están en contacto con un mueble o una pared, algunas de las vibraciones normales pueden producir un sonido audible.	Para eliminar el ruido, asegúrese de que los laterales y la parte posterior no puedan vibrar contra las paredes o los muebles.
Goteo	El agua cayendo en la batea de drenaje durante el ciclo de descongelación.	Funcionamiento normal.
Sonido de pulsación o agudo	Su refrigerador está diseñado para funcionar de forma más eficiente para conservar los alimentos a la temperatura deseada. El compresor de alta eficiencia puede hacer que su nuevo refrigerador funcione durante más tiempo que su antiguo refrigerador, y aun así será más eficiente energéticamente que los modelos anteriores. Mientras el refrigerador está en funcionamiento, es normal escuchar un sonido de pulsación o agudo.	Funcionamiento normal.

COMPONENTES Y CARACTERÍSTICAS

Problema	Causas posibles	Solutions
Las puertas no se cierran completamente o quedan abiertas.	Hay paquetes de alimentos bloqueando la puerta que impiden que se cierre.	Reorganice los envases de alimentos para liberar la puerta y los estantes de la puerta.
	El depósito de hielo, la tapa del cajón para verduras, las bateas, los estantes, las bandejas de las puertas o las cestas no están en su sitio.	Coloque correctamente las bandejas, la tapa del cajón para verduras, las bateas, los estantes y las cestas. Consulte la sección Uso del refrigerador.
	Las puertas se desmontaron durante la instalación del producto y no se volvieron a colocar correctamente.	Desmunte y vuelva a colocar las puertas siguiendo las instrucciones de la sección Desmontaje y sustitución de las manijas y puertas del refrigerador.
	La puerta no está correctamente nivelada.	Consulte el apartado Alineación de las puertas en la sección Instalación del refrigerador para nivelar el refrigerador.
Las puertas se abren con gran dificultad.	Las juntas están sucias o pegajosas.	Limpie las juntas y las superficies de contacto. Aplique una fina capa de cera para electrodomésticos o cera de cocina en las juntas después de limpiarlas.
	La puerta se acaba de cerrar.	Cuando abre la puerta, aire más caliente entra al refrigerador. Al enfriarse, crea el vacío. Si le cuesta abrir la puerta, espere un minuto para permitir que la presión del aire se equalice y, a continuación, compruebe si se abre con más facilidad.
El refrigerador se bambolea o parece inestable.	Las patas niveladoras no están correctamente ajustadas.	Consulte la sección Nivelación y alineación de las puertas.
	El piso no está nivelado.	Puede ser necesario agregar calibradores debajo de las patas o rodillos de nivelación o para completar el proceso de instalación.
Las luces no funcionan.	Falla de iluminación interior LED.	La lámpara del compartimiento del refrigerador es una iluminación interior mediante LED, por lo que el mantenimiento deberá ser realizado por un técnico cualificado. Consulte la sección Sustitución de la bombilla.
Le refrigerador tiene un olor inusual.	El filtro de aire puede necesitar ser ajustado a MAX (máximo) o ser reemplazado.	Ajuste el filtro de aire a MAX. Si no desaparece el olor dentro de las 24 horas, el filtro puede necesitar ser cambiado. Consulte la sección Sustitución del filtro de aire para obtener instrucciones acerca del reemplazo.
El interior del frigorífico está cubierto de polvo u hollín.	El frigorífico se encuentra cerca de un fuego, por ejemplo, una chimenea o similar.	Asegúrese de que el frigorífico no se encuentre cerca de un fuego, por ejemplo, una chimenea o similar.

DIAGNOSTICS (DIAGNÓSTICOS)

Diagnósticos (En algunos modelos)

Si experimenta algún problema en el refrigerador, puede transmitir datos a través de su teléfono al equipo Diagnósticos. Esto le da la posibilidad de hablar directamente con nuestros especialistas cualificados. El especialista graba los datos transmitidos por su máquina y los utiliza para analizar el problema, suministrando un diagnóstico rápido y efectivo.

Si experimenta problemas con su refrigerador, llame en 1-844-553-6667. Utilice la función Diagnósticos solo cuando así se lo indique el agente del equipo Diagnósticos. Los sonidos de transmisión que oirá son normales y suenan como un fax.

Diagnósticos no se puede activar si su refrigerador no está conectado a la alimentación eléctrica.

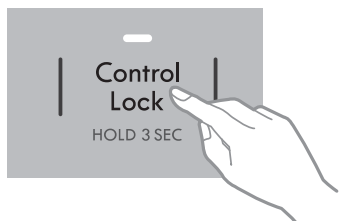
Si su refrigerador no se enciende, la localización y resolución de problemas debe hacerse sin utilizar Diagnósticos.

Uso de Diagnósticos

En primer lugar, llame en 1-844-553-6667. Si el número de teléfono que está usando ya está registrado y asociado con su refrigerador, podrá contactar rápidamente con un agente del equipo Diagnósticos.

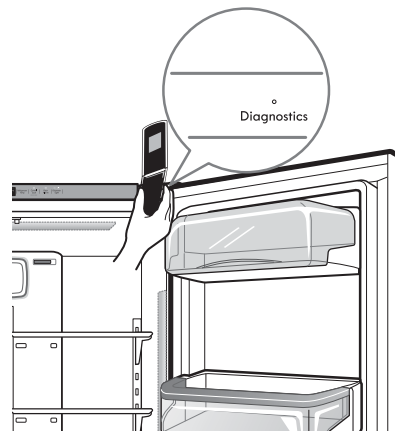
Utilice la función Diagnósticos solo cuando así se lo indique el agente del equipo Diagnósticos.

1. Bloquee la pantalla. Para bloquear la pantalla, mantenga pulsado el botón de bloqueo Control Lock durante tres segundos (Si la pantalla está bloqueada, reactivéla)

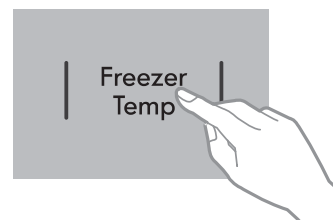


2. Abra la puerta derecha del refrigerador.

3. Sujete el auricular del teléfono delante del altavoz situado sobre la bisagra derecha de la puerta del refrigerador, cuando así se lo indique el centro de atención.



4. Mantenga pulsado el botón de temperatura del congelador Freezer Temp durante tres segundos con el teléfono junto al altavoz.



5. Tras oír tres pitidos, suelte el botón de temperatura del congelador Freezer Temp.
6. Mantenga el teléfono en posición hasta que finalice el tono de transmisión. La pantalla mostrará el tiempo transcurrido. Al finalizar la cuenta atrás y detenerse los tonos, reanude su conversación con el especialista, quien estará entonces en medida de asistirle utilizando la información transmitida para su análisis.

NOTA:

- Para lograr los mejores resultados, no mueva el teléfono mientras se transmiten los tonos.
- Si el agente del servicio telefónico de atención al cliente no puede grabar los datos con precisión, se le pedirá volver a intentarlo.

Kenmore®

Customer Care Hotline

To schedule in-home repair service
or order replacement parts

Para pedir servicio de reparación
a domicilio, y ordenar piezas

1-844-553-6667

www.kenmore.com

