

DRAPER[®]

D20
MULTI-TOOL BATTERY SYSTEM

GB

40V

GRASS TRIMMER

98504



UK
CA CE

These instructions accompanying the product are the original instructions. This document is part of the product, keep it for the life of the product passing it on to any subsequent holder of the product. Read all these instructions before assembling, operating or maintaining this product.

This manual has been compiled by Draper Tools describing the purpose for which the product has been designed, and contains all the necessary information to ensure its correct and safe use. By following all the general safety instructions contained in this manual, it will ensure both product and operator safety, together with longer life of the product itself.

All photographs and drawings in this manual are supplied by Draper Tools to help illustrate the operation of the product.

Whilst every effort has been made to ensure the accuracy of information contained in this manual, the Draper Tools policy of continuous improvement determines the right to make modifications without prior warning.

1. TITLE PAGE

1.1 INTRODUCTION:

USER MANUAL FOR: 40V Grass Trimmer

Stock No: 98504

Part No: D20G/GT40

1.2 REVISIONS:

Date first published September 2020.

Revision August 2021.

As our user manuals are continually updated, users should make sure that they use the very latest version.

Downloads are available from: <http://drapertools.com/manuals>

Draper Tools Limited
Hursley Road
Chandler's Ford
Eastleigh
Hampshire
SO53 1YF
UK

Website: drapertools.com

Product Help Line: +44 (0) 23 8049 4344

General Fax: +44 (0) 23 8026 0784

1.3 UNDERSTANDING THIS MANUALS SAFETY CONTENT:

Warning! – Information that draws attention to the risk of injury or death.

Important – Information that draws attention to the risk of damage to the product or surroundings.

1.4 COPYRIGHT © NOTICE:

Copyright © Draper Tools Limited.

Permission is granted to reproduce this publication for personal and educational use only.

Commercial copying, redistribution, hiring or lending is prohibited.

No part of this publication may be stored in a retrieval system or transmitted in any other form or means without written permission from Draper Tools Limited.

In all cases this copyright notice must remain intact.

2. CONTENTS

2.1 TABLE OF CONTENTS

1. TITLE PAGE

1.1 INTRODUCTION:.....	2
1.2 REVISIONS:.....	2
1.3 UNDERSTANDING THIS MANUALS SAFETY CONTENT:.....	2
1.4 COPYRIGHT © NOTICE:.....	2

2. CONTENTS

2.1 TABLE OF CONTENTS	3
-----------------------------	---

3. WARRANTY

3.1 WARRANTY	4
--------------------	---

4. INTRODUCTION

4.1 SCOPE.....	5
4.2 SPECIFICATION.....	5
4.3 HANDLING AND STORAGE.....	5

5. HEALTH AND SAFETY INFORMATION

5.1 GENERAL SAFETY INSTRUCTIONS FOR POWER TOOL USE	6
5.2 ADDITIONAL SAFETY INSTRUCTIONS FOR CORDLESS HEDGE TRIMMERS	7
5.3 RESIDUAL RISK.....	8

6. TECHNICAL DESCRIPTION

6.1 IDENTIFICATION.....	9
-------------------------	---

7. UNPACKING AND CHECKING

7.1 PACKAGING	10
7.2 D20 MULTI-TOOL INTERCHANGEABLE BATTERY SYSTEM.....	10
7.3 WHAT'S IN THE BOX	10

8. ASSEMBLY

8.1 ATTACH THE AUXILIARY HANDLE	11
8.2 ATTACH THE SAFETY GUARD	11

9. PREPARING THE GRASS TRIMMER

9.1 BATTERY PACK CHARGING	12
9.2 BATTERY PACK PROTECTION FEATURES.....	13
9.3 BATTERY PACK CHARGE STATUS	13
9.4 BATTERY LIFE EFFICIENCY AND CHARGING ADVICE	13

9. PREPARING THE GRASS TRIMMER

10. OPERATION

10.1 TOOL CONNECTOR	14
10.2 AUXILIARY HANDLE ADJUSTMENT	14
10.3 HEAD ANGLE ADJUSTMENT	14
10.4 EDGE GUARD.....	14
10.5 AUTOMATIC CUTTING LINE FEED.....	15
10.6 MANUAL CUTTING LINE FEED.....	15
10.7 SWITCHING ON	16

11. MAINTENANCE AND TROUBLESHOOTING

11.1 REPLACING THE TRIMMING LINES.....	17
--	----

12. EXPLANATION OF SYMBOLS

12.1 EXPLANATION OF SYMBOLS.....	18
----------------------------------	----

3. WARRANTY

3.1 WARRANTY

Draper tools have been carefully tested and inspected before shipment and are guaranteed to be free from defective materials and workmanship.

Should the tool develop a fault, please return the complete tool to your nearest distributor or contact:

Draper Tools Limited, Chandler's Ford, Eastleigh, Hampshire, SO53 1YF. England.

Telephone Sales Desk: +44 (0) 8049 4333 or Product Help Line +44 (0) 23 8049 4344.

A proof of purchase **must** be provided with the tool.

If upon inspection it is found that the fault occurring is due to defective materials or workmanship, repairs will be carried out free of charge. This warranty period covering labour is 12 months from the date of purchase except where tools are hired out when the warranty period is 90 days from the date of purchase. The warranty is extended to 24 months for parts only. This warranty does not apply to any consumable parts, any type of battery or normal wear and tear, nor does it cover any damage caused by misuse, careless or unsafe handling, alterations, accidents, or repairs attempted or made by any personnel other than the authorised Draper warranty repair agent.

Note: If the tool is found not to be within the terms of warranty, repairs and carriage charges will be quoted and made accordingly.

This warranty applies in lieu of any other warranty expressed or implied and variations of its terms are not authorised.

Your Draper warranty is not effective unless you can produce upon request a dated receipt or invoice to verify your proof of purchase within the warranty period.

Please note that this warranty is an additional benefit and does not affect your statutory rights.

Draper Tools Limited.

4. INTRODUCTION

4.1 SCOPE

This manual is intended to give the user an overview of the function and controls of this product to aid its safe and effective use. Any application other than that it was intended for, is considered misuse.

4.2 SPECIFICATION

Stock No.	98504
Part No.	D20G/GT40
Revolutions per minute (no load).....	9000r/min
Cutting diameter Ø	290mm
Nylon line:	
Spool.....	Double line
Length.....	4M
Diameter Ø.....	1.5mm
Sound pressure level (LpA).....	86.0dB(A)
Sound power level (LWA)	93.0dB(A)
Uncertainty (K)	3dB(A)
Vibration level†:.....	7.8m/s ²
Uncertainty (K)	1.5m/s ²
Weight (machine only).....	2.17kg

4.3 HANDLING AND STORAGE

- Care must be taken when handling this product.
 - Dropping this power tool could have an effect on its accuracy and could also result in personal injury. This product is not a toy and must be respected.
- Environmental conditions can have a detrimental effect on this product if neglected.
 - Exposure to damp air can gradually corrode components. If the product is unprotected from dust and debris, components will become clogged.
 - If not cleaned and maintained correctly or regularly, the machine will not perform at its best.

5. HEALTH AND SAFETY INFORMATION

5.1 GENERAL SAFETY INSTRUCTIONS FOR POWER TOOL USE

When using any type of power tool there are steps that should be taken to make sure that you, as the user, remain safe.

Common sense and a respect for the tool will help reduce the risk of injury.

Read the instruction manual fully. Do not attempt any operation until you have read and understood this manual.

Most important you must know how to safely start and stop this machine, especially in an emergency.

Keep the work area tidy and clean. Attempting to clear clutter from around the machine during use will reduce your concentration. Mess on the floor creates a trip hazard. Any liquid spilt on the floor could result in you slipping.

Find a suitable location. If the machine is bench mounted, the location should provide good natural light or artificial lighting as a replacement. Avoid damp and dust locations as it will have a negative effect on the machine's performance. If the machine is portable do not expose the tool to rain. In all cases do not operate power tools near any flammable materials.

Keep bystanders away. Children, onlookers and passers by must be restricted from entering the work area for their own protection. The barrier must extend a suitable distance from the tool user.

Unplug and house all power tools that are not in use. A power tool should never be left unattended while connected to the power supply. They must be housed in a suitable location, away locked up and from children. This includes battery chargers.

Do not overload or misuse the tool. All tools are designed for a purpose and are limited to what they are capable of doing. Do not attempt to use a power tool (or adapt it in any way) for an application it is not designed for. Select a tool appropriate for the size of the job. Overloading a tool will result in tool failure and user injury. This covers the use of accessories.

Dress properly. Loose clothing, long hair and jewellery are all dangerous because they can become entangled in moving machinery. This can also result in parts of body being pulled into the machine. Clothing should be close fitted, with any long hair tied back and jewellery and neck ties removed. Footwear must be fully enclosed and have a non-slip sole.

Wear personal protective equipment (PPE). Dust, noise, vibration and swarf can all be dangerous if not suitably protected against. If the work involving the power tool creates dust or fumes wear a dust mask. Vibration to the hand, caused by operating some tools for longer periods must be protected against. Wear vibration reducing gloves and allow long breaks between uses. Protect against dust and swarf by wearing approved safety goggles or a face shield. These are some of the more common hazards and preventions, however, always find out what hazards are associated with the machine/work process and wear the most suitable protective equipment available.

Do not breathe contaminated air. If the work creates dust or fumes connect the machine (if possible) to an extraction system either locally or remotely. Working outdoors can also help if possible.

Move the machine as instructed. If the machine is hand held, do not carry it by the power supply cable. If the product is heavy, employ a second or third person to help move it safely or use a mechanical device. Always refer to the instructions for the correct method.

Do not overreach. Extending your body too far can result in a loss of balance and you falling. This could be from a height or onto a machine and will result in injury.

Maintain your tools correctly. A well maintained tool will do the job safely. Replace any damaged or missing parts immediately with original parts from the manufacturer. As applicable, keep blades sharp, moving parts clean, oiled or greased, handles clean, and emergency devices working.

Wait for the machine to stop. Unless the machine is fitted with a safety brake, some parts may continue to move due to momentum. Wait for all parts to stop, then unplug it from the power supply

5. HEALTH AND SAFETY INFORMATION

before making any adjustments, carrying out maintenance operations or just finishing using the tool.

Remove and check setting tools. Some machinery requires the use of additional tools or keys to set, load or adjust the power tool. Before starting the power tool always check to make certain they have been removed and are safely away from the machine.

Prevent unintentional starting. Before plugging any machine in to the power supply, make sure the switch is in the OFF position. If the machine is portable, do not hold the machine near the switch and take care when putting the machine down, that nothing can operate the switch.

Carefully select an extension lead. Some machines are not suitable for use with extension leads. If the tool is designed for use outdoors, use an extension lead also suitable for that environment. When using an extended lead, select one capable of handling the current (amps) drawn by the machine in use. Fully extend the lead regardless of the distance between the power supply and the tool. Excess current (amps) and a coiled extension lead will both cause the cable to heat up and can result in fire.

Concentrate and stay alert. Distractions are likely to cause an accident. Never operate a power tool if you are under the influence of drugs (prescription or otherwise), including alcohol or if you are feeling tired. Being disorientated will result in an accident.

Have this tool repaired by a qualified person. This tool is designed to conform to the relevant international and local standards and as such should be maintained and repaired by someone qualified, using only original parts supplied by the manufacturer. This will ensure the tool remains safe to use.

5.2 ADDITIONAL SAFETY INSTRUCTIONS FOR CORDLESS HEDGE TRIMMERS

Warning! When using the machine the safety rules must be followed. For your own safety and that of bystanders please read these instructions before operating the machine. Please keep the instructions safe for later use.

Personal Safety

- Wear protective glasses or goggles.
- Never allow children or people unfamiliar with the instructions to use the machine.
- Stop using the machine while people, especially children, or pets are nearby.
- Only use the machine in daylight or good artificial light.
- Before using the machine and after any impact, check for signs of wear or damage and repair as necessary.
- Never operate the machine with damaged guards or without the guards in place.
- Keep hands and feet away from the cutting means at all times and especially on the motor.
- Take care against injury from any device fitted for trimming the filament line length. After extending new cutter line always return the machine to its normal operating position before switching on.
- Never fit metal cutting elements.
- Never use replacement parts or accessories not provided or recommended by the manufacturer.
- Always ensure that ventilation openings are kept clear of debris.

Service

- When not in use store the machine out of reach of children.
- Use only manufacturer's recommended replacement parts and accessories.
- Read the instructions carefully.
- Be familiar with the controls and proper use of equipment.
- **Warning!** Cutting elements continue to rotate after the motor is switched off.

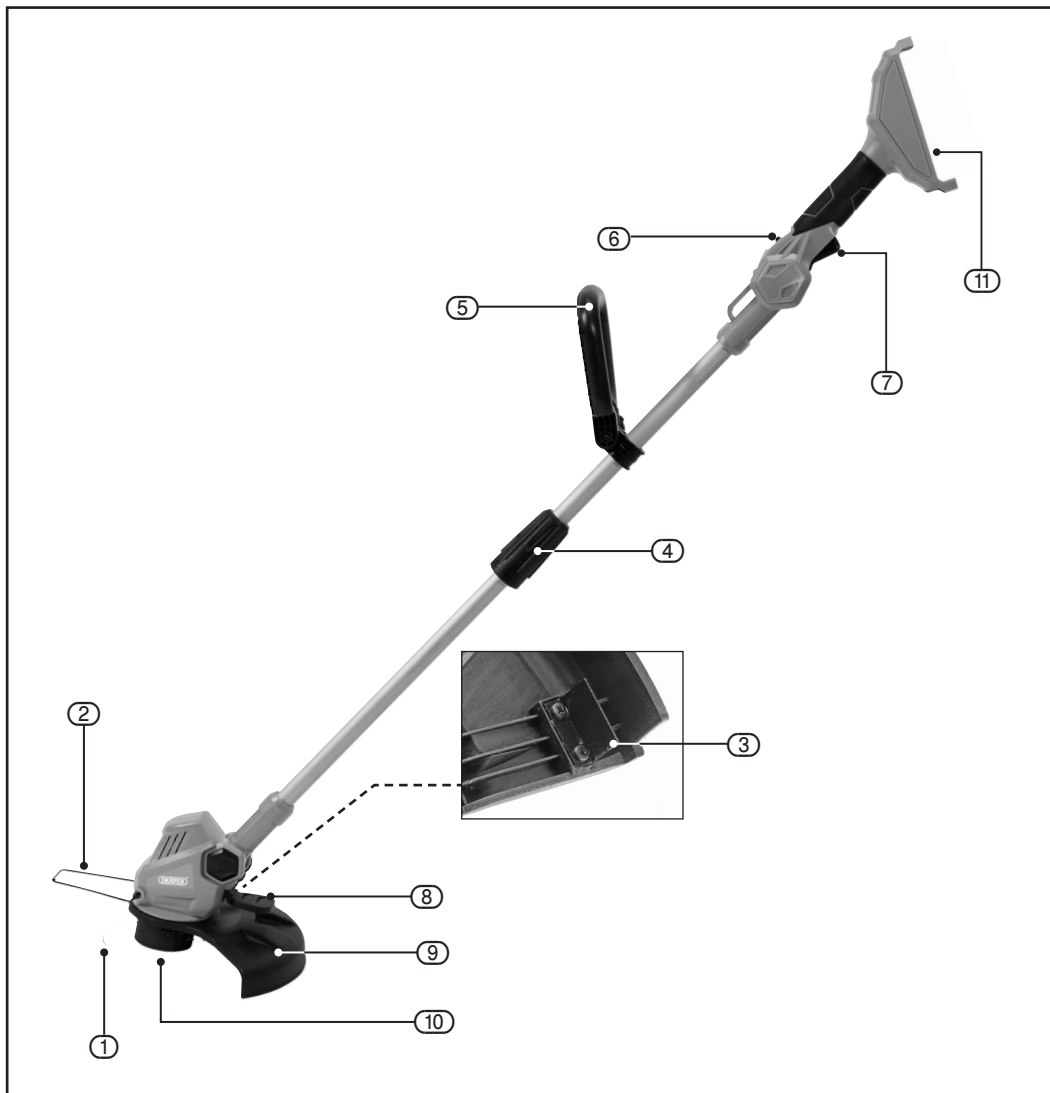
5. HEALTH AND SAFETY INFORMATION

5.3 RESIDUAL RISK

Important: Although the safety instructions and operating manuals for our tools contain extensive instructions of safe working with power tools, every power tool involves a certain residual risk which can not be completely excluded by safety mechanisms. Power tools must therefore always be operated with caution!

6. TECHNICAL DESCRIPTION

6.1 IDENTIFICATION



① Double line spool.

② Edge guard.

③ Line length trimming blade.

④ Tool connector.

⑤ Auxiliary handle.

⑥ Trigger safety lock.

⑦ ON/OFF trigger switch.

⑧ Cutting head angle adjustment lever.

⑨ Guard.

⑩ Spool housing.

⑪ Battery compartment.

7. UNPACKING AND CHECKING

7.1 PACKAGING

Carefully remove the product from the packaging and examine it for any sign of damage that may have happened during shipping. Lay the contents out and check them against the parts shown below. If any part is damaged or missing, please contact the Draper Help Line (the telephone number appears on the Title page) and do not attempt to use the product.

The packaging material should be retained at least during the warranty period, in case the machine needs to be returned for repair.

Warning!

- Some of the packaging materials used may be harmful to children. Do not leave any of these materials in the reach of children.
- If any of the packaging is to be thrown away, make sure they are disposed of correctly, according to local regulations.

7.2 D20 MULTI-TOOL INTERCHANGEABLE BATTERY SYSTEM

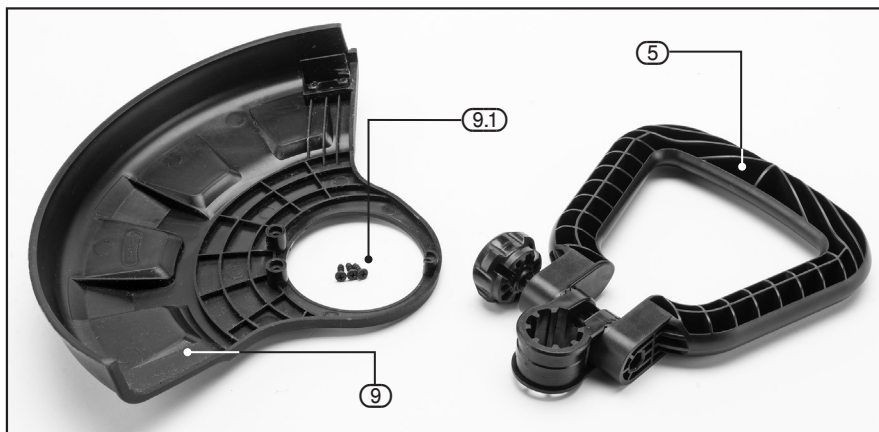
The D20 range of tools are a range of tools **suited** for enthusiasts and tradespersons alike, featuring a wide array of machines all running from the same range of batteries. Many different capacity batteries are available making sure you can balance tool weight with longevity and find a battery that meets your needs.

For details of our full range of accessories and consumables, please visit drapertools.com



7.3 WHAT'S IN THE BOX

As well as the main product, there are several parts not fitted or attached to it.



- ⑤ Auxiliary handle.
- ⑨ Guard.
- ⑨.1 Guard screw fittings.

8. ASSEMBLY

8.1 ATTACH THE AUXILIARY HANDLE – FIGS.1 – 2

- Align the auxiliary handle (5) with the bracket (5.1) mounted on the handle shaft.
- Thread the auxiliary handle locking bolt (5.2) into the hole in the auxiliary handle and tighten.

8.2 ATTACH THE SAFETY GUARD – FIGS.3 – 4

- Locate the safety guard (9) with the cutting head so that the three holes on the guard (A), align with the three holes on the cutting head (B).
- With an appropriate cross-slot screwdriver, tighten the two sections together using the supplied screws (9.1).

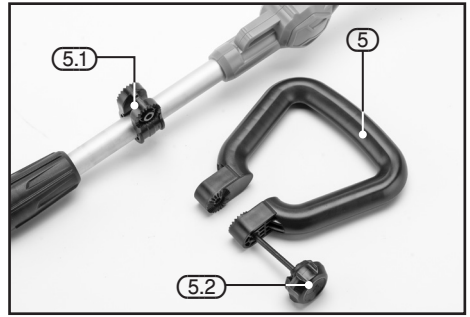


FIG.1



FIG.2

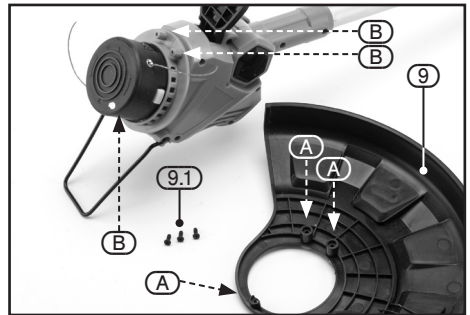


FIG.3

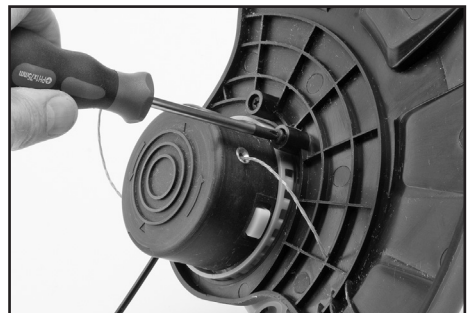


FIG.4

9. PREPARING THE GRASS TRIMMER

9.1 BATTERY PACK CHARGING – FIGS. 5 – 7

This power product is supplied “bare”, without battery packs or charger. For compatible batteries, chargers and accessories please visit www.drapertools.com.

Important: Only Draper D20 designated battery packs and chargers can be used in conjunction with this product. Use of any other third party battery packs/chargers with this product is considered misuse and will invalidate the product’s warranty.

Once connected to the mains supply, recharging of the battery can be left generally unsupervised, requiring minimal attention. Complex circuit construction monitors the battery condition, adjusting the recharge current to suit. When the recharge cycle is complete, to maintain the full capacity, a low output current will continue as required.

Warning! Check the condition of the charger and battery prior to each charge. If there is any sign of damage then do not commence charging, seek advice from Draper Tools.

The battery pack is supplied uncharged and must be charged before initial use.

Figs. 1 – 2 and the procedures set out below, illustrate an example of 2 × D20 4.0Ah battery packs (Draper stock No.55898) (12) used in conjunction with the D20 fast battery charger (Draper stock No.55913) (13). For further information on your particular battery pack and charger combination, consult the instruction documentation supplied with the products.

To charge the battery pack (13), it must first be removed from the tool.

- Plug the battery charger (13) unit into a 230V/ AC 13amp three pin supply socket.
- The red LED (13.1) will illuminate to show the charger has power.
- Slide the battery into the charger (the battery is shaped to fit into the charger one way only).
- After a few seconds delay, the red LED (13.1) will flash to show that charging has begun, then illuminate solid red.
- Whilst the battery is charging, the green LED (13.2) will flash, (the red LED will go from flashing to constant red).
- When the battery is fully charged when the green LED (13.2) stops flashing and remains a constant green. The red LED will extinguish.

Caution: Do not pull the plug out of the power supply by pulling on the cord. Make sure to grasp the plug when removing from power supply to avoid damaging the cord.



FIG.5



FIG.6



FIG.7

9. PREPARING THE GRASS TRIMMER

To remove the battery from the battery charger:

- Supporting the battery charger with hand, pull out the battery from the battery charger.

Caution: If the battery charger has been in continuous use it will be hot. Once the charging has been completed, leave the charger 15 minutes to cool until next use.

9.2 BATTERY PACK PROTECTION FEATURES

Overcharging protection: This feature that ensures that the battery pack can never be overcharged. When the battery pack reaches full charge capacity, the transformer/charger will automatically shut off, protecting the internal components from being damaged.

Over-discharging protection: This feature will stop the battery pack from discharging beyond the recommended lowest safety voltage.

Overheating protection: The battery pack contains an internal thermistor cut-off sensor which shuts off the battery pack should it become too hot during operation. This can happen if the tool is overloaded or being used for extended periods. Up to 30 minutes cooling time may be required, depending on ambient temperature.

Current protection: Should the battery be overloaded and the maximum current draw be exceeded, the battery will shut off to protect the internal components. The battery pack will resume working once excessive current draw has returned to normal, safe level.

Short circuit protection: If, for any reason, the battery pack was to short circuit, the short circuit protection would immediately stop the battery pack from operating.

9.3 BATTERY PACK CHARGE STATUS – FIG.8

To display the amount of charge left in the battery pack, press the charge level indicator button (10.1).

9.4 BATTERY LIFE EFFICIENCY AND CHARGING ADVICE

- Avoid recharging at high temperatures. A rechargeable battery will be hot immediately after use. If such a battery is recharged immediately after use, its internal chemical substance will deteriorate, and the battery life will be shortened. Leave the battery and recharge it after it has cooled for a while.
- The battery should only be used and/or charged when battery temperature is between 5°C and 30°C.
- The battery needs to be warmed-up or cooled down in order to prevent damage to the batteries internal components,

Note: If battery is too hot or too cold, allow it to 'normalise' before use or charging.

Note: Failure to warm up or cool down a battery could result in serious damage to the battery, charger and user.






Charge level indicator	Amount of charge remaining
	0 – 10%
	10 – 25%
	25 – 50%
	50 – 75%
	75 – 100%

FIG.8

10. OPERATION

10.1 TOOL CONNECTOR – FIG.9

- Ensure the tool connector (4) is locked in place prior to using the machine.

10.2 AUXILIARY HANDLE ADJUSTMENT – FIG.12

- Unscrew the auxiliary locking (5.2) bolt.
- Adjust the auxiliary handle (5) to the most comfortable working position.
- Re-tighten the auxiliary locking bolt.

10.3 HEAD ANGLE ADJUSTMENT – FIG.13

The cutting head can be adjusted to four different angles for ease of cutting.

- Whilst holding the shaft, push and hold the cutting head angle adjustment lever (8).
- Rotate the head to the desired angle and release the button. The head will lock at the closest of the four set angles.

10.4 EDGE GUARD – FIG.14

The trimmer is fitted with an edge guard (2) that can be raised or lowered, as required .

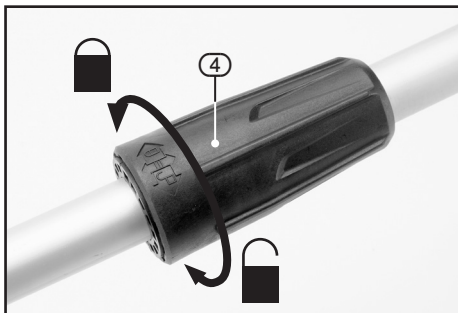


FIG.9

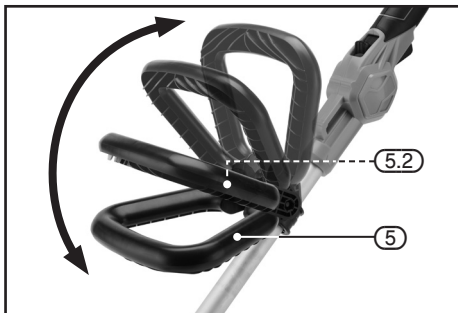


FIG.10

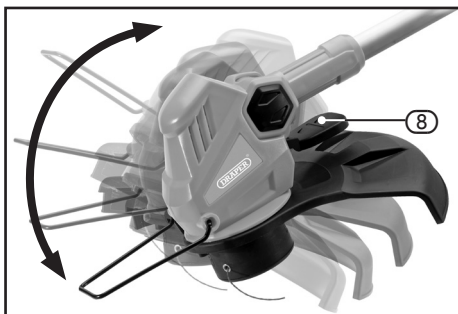


FIG.11



FIG.12

10. OPERATION

10.5 AUTOMATIC CUTTING LINE FEED – FIG.15

The grass trimmer is equipped with an automatic line-feed system. On switching on a length of cutting line is fed out accordingly.

A noticeable noise will be heard when the rotating twin lines make contact with the cutting blade (3) situated on the underside of the guard. The noise will cease after several seconds when the cutting lines are trimmed automatically to the correct length and the motor reaches operating speed.

If more line is needed it will be necessary to allow the trimmer to completely stop, then restart to allow more cutting line to be fed out.

Note: Do not repeat the above procedure more than six times.

10.6 MANUAL CUTTING LINE FEED – FIGS. 16 – 17

The cutting line can also be fed out manually:

- Press in the spool feed button (10.1) whilst gently pulling out the cutting lines until they reach the cutting blade (3).
- Pull the cutting line (8) one stage.
- Repeat this for the second line.

If too much line is fed out:

- Press in the two locking tabs (10.2).
- Remove the spool cap (10.3) and wind in the spool until the line is at the desired length.

If the line has disappeared inside the spool:

- Press in the two locking tabs (10.2).
- Remove the spool cap (10.3) and wind out the spool until the line is at the desired length.

Take care if the reel contains any residual nylon line as it will have a tendency to uncoil rapidly. This will lead to the line becoming tangled causing feed problems.

- Pass the end of the line through the spool apertures and position the reel over the spring.
- While holding the reel down and preventing it from spinning, relocate the cover ensuring the tabs lock on both sides.
- Clean the line length trimming blade of grass to ensure a satisfactory cut is maintained.
- After adjusting the trimming line length exercise caution as you turn on the machine as the line will be automatically cut to length to remove any excess line. This can result in debris being ejected from the cutting head area as the excess line is removed by the line length trimming blade.

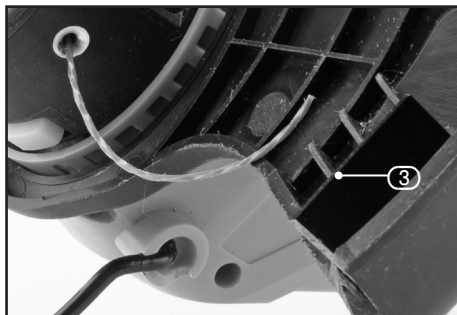


FIG.13

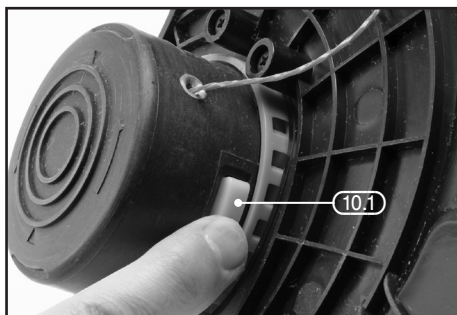


FIG.14

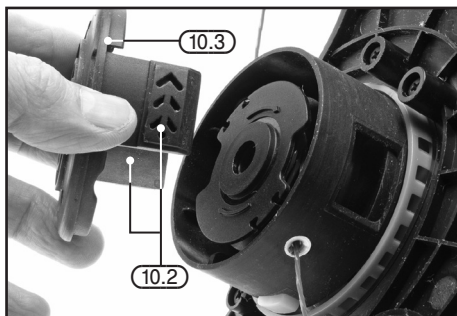


FIG.15

10. OPERATION

10.7 SWITCHING ON – FIG.18

Note: Ensure the cutting head is off the ground before switching on.

- For your safety this grass trimmer is designed with a safety starting switch (6).
- The safety starting switch is a button that must be applied before the ON/OFF trigger (7) can be operated.
- To switch the trimmer off, release the ON/OFF trigger.

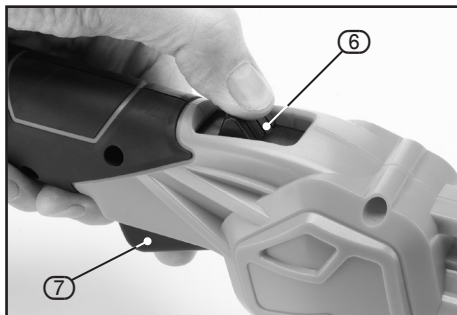


FIG.16



Warning! Use of this product can pose a danger to wildlife. Before attempting to use this product, check the surrounding area, particularly long grass and under bushes, for signs of life and relocate if necessary.

Note: Not all animals will be deterred by the noise of the product alone.

Warning! Beware of sharp cutting lines – these will continue to rotate after the motor is switched off.

Note: Remove the battery packs before carrying out any adjustments, servicing or maintenance.

11. MAINTENANCE AND TROUBLESHOOTING

11.1 REPLACING THE TRIMMING LINES

- Remove the spool cap
- Remove the old spool.
- Place a new spool into the cutting head
- Release one line from the cleat and feed the end through the eyelet. Repeat for the second cutting line.
- Re-fit the spool cap.

For details of our full range of accessories and consumables, please visit drapertools.com

12. EXPLANATION OF SYMBOLS

12.1 EXPLANATION OF SYMBOLS



Read the instruction manual.



Wear suitable face protection.



Wear suitable ear protection.



Wear suitable protective clothing.



Wear suitable protective footwear.



Warning!



Warning! Keep bystanders away.



Warning! Keep bystanders away.



Warning! Keep out of the reach of children.



Warning! Danger to wildlife.



Warning! Danger of flying debris.



Warning! Danger of foot injury.



Protect from rain.



WEEE –
Waste Electrical & Electronic Equipment.
Do not dispose of Waste Electrical & Electronic
Equipment in with domestic rubbish.



Continuous A-Weighted Sound
Pressure Level.

CONTACTS

Draper Tools Limited, Hursley Road,
Chandler's Ford, Eastleigh, Hampshire. SO53 1YF. U.K.

Help Line: (023) 8049 4344

Sales Desk: (023) 8049 4333

Internet: drapertools.com

E-mail: sales@drapertools.com

General Enquiries: (023) 8026 6355

Service/Warranty Repair Agent:

For aftersales servicing or warranty repairs, please contact the Draper Tools Help Line for details of an agent in your local area.

YOUR DRAPER STOCKIST

TACH0920

©Published by Draper Tools Limited.

No part of this publication may be reproduced, stored in a retrieval system or transmitted in any form or by any means, electronic, mechanical photocopying, recording or otherwise without prior permission in writing from Draper Tools Ltd.