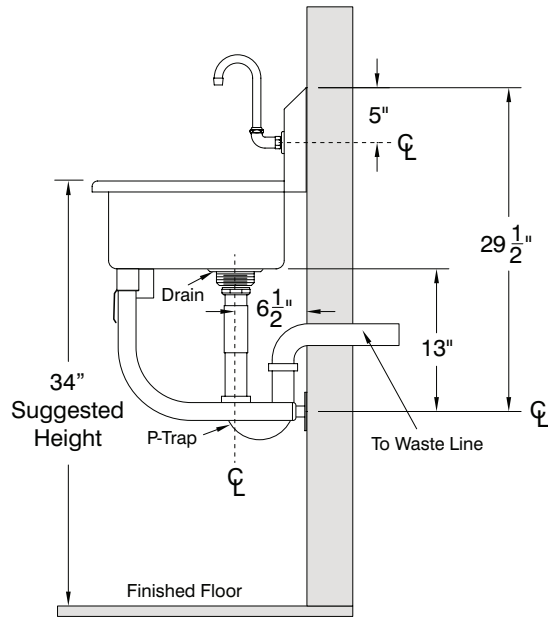


Suggested Rough-In Plumbing Dimensions



STEP 5

Adjust the tubular wall support brackets and flanges to proper alignment. Loosen or tighten each flange to sit snug against the wall and secure to wall using screws (Not Included) (Figure 4). Be sure to go back and hand tighten the set screws at this time.

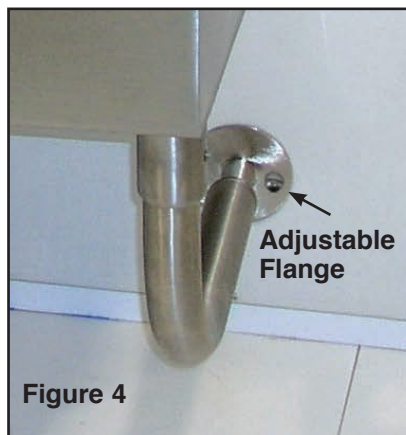


Figure 4

INSTALLING KNEE VALVES FOR KV SERIES

Knee Valves can be installed before or after sink is mounted to the wall. Attach each Knee Valve onto the sink by fitting into existing stud welded screws found underneath the unit.

Use supplied nuts to secure valve(s) to sink. Tighten with 7/16" open end wrench (Figure 5).

Connect supply lines to knee valve(s) and supply line(s) from knee Valve(s) to Faucet(s). Connect drain(s).

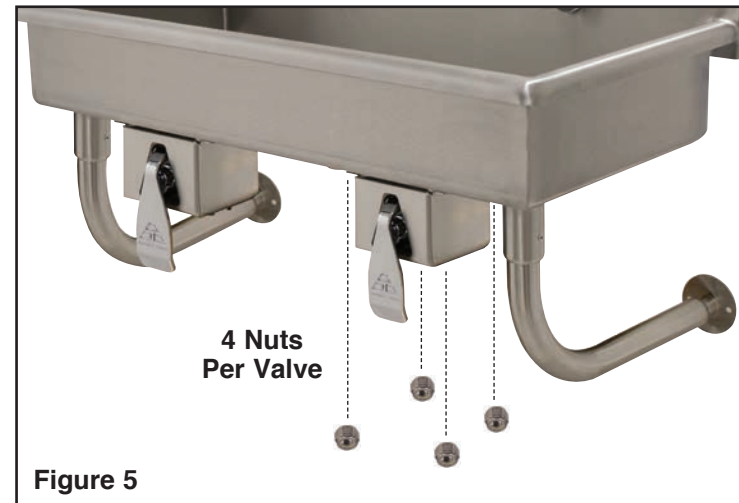


Figure 5

For Further Assistance
Contact Customer Service at:
800-645-3166

or

customer@advancetabco.com



Installation Instructions for WALL MOUNTED FS-WM/FC-WM SERIES SINKS

MANUAL FAUCET OPERATED	ELECTRONIC OPERATED	KNEE OPERATED
Model #	Model #	Model #
FS-WM-1-ADA/FC-WM-1-ADA	FS-WM-1-ADAEF/FC-WM-1-ADAEF	N/A
FS-WM-2219/FC-WM-2219	FS-WM-2219EF/FC-WM-2219EF	FS-WM-2219KV/FC-WM-2219KV
FS-WM-2721/FC-WM-2721	FS-WM-2721EF/FC-WM-2721EF	FS-WM-2721KV/FC-WM-2721KV
FS-WM-40/FS-WM-40-ADA/ FC-WM-40/FC-WM-40-ADA	FS-WM-40EF/FS-WM-40EFADA/ FC-WM-40EF/FC-WM-40EFADA	FS-WM-40KV/FS-WM-40KV
FS-WM-60/FS-WM-60-ADA/ FC-WM-60/FC-WM-60-ADA	FS-WM-60EF/FS-WM-60EFADA/ FC-WM-60EF/FC-WM-60EFADA	FS-WM-60KV/FC-WM-60KV
FS-WM-80/FS-WM-80-ADA/ FC-WM-80/FC-WM-80-ADA	FS-WM-80EF/FS-WM-80EFADA/ FC-WM-80EF/FC-WM-80EFADA	FS-WM-80KV/FC-WM-80KV
FS-WM-100/FS-WM-100-ADA/ FC-WM-100/FC-WM-100-ADA	FS-WM-100EF/FS-WM-100EFADA/ FC-WM-100EF/FC-WM-100EFADA	FS-WM-100KV/FC-WM-100KV
FS-WM-120/FS-WM-120-ADA/ FC-WM-120/FC-WM-120-ADA	FS-WM-120EF/FS-WM-120EFADA/ FC-WM-120EF/FC-WM-120EFADA	FS-WM-120KV/FC-WM-120KV



Manual Operated
(Faucet Not Included)

Knee Operated

Electronic Operated

**CHECK FOR CONCEALED DAMAGE
FILE CLAIM WITH DELIVERING FREIGHT CARRIER**

Sinks manufactured by **ADVANCE TABCO**® are designed and constructed for the use of liquid containment. Suggested applications include Food Preparation, Manufacturing, Cooking, Laboratory and Service and the like. **ADVANCE TABCO**® does not recommend product use for activities employing harsh and active chemicals. Please consult factory regarding unusual applications.

CARTON CONTENTS:

- (1) Sink
- (2) "Z" Wall Brackets
- Tubular Wall Supports*
- Faucet(s)*
- Drain(s)*

*See Below For Proper Quantities Supplied Per # Of Stations:

MANUAL OPERATED SERIES

# of Stations	# of Drains Included	# of Faucets Included	# of Supports Included
1	1	Not Included	2 Support Brackets
2	1	Not Included	2 Support Brackets
3	1	Not Included	2 Support Brackets
4	1	Not Included	2 Support Brackets
5	2	Not Included	4 Support Brackets
6	2	Not Included	4 Support Brackets

ELECTRONIC FAUCET OPERATED SERIES (EF Series)

# of Stations	# of Drains Included	# of Faucets Included	# of Supports Included
1	1	1	2 Support Brackets
2	1	2	2 Support Brackets
3	1	3	2 Support Brackets
4	1	4	2 Support Brackets
5	2	5	4 Support Brackets
6	2	6	4 Support Brackets

KNEE OPERATED SERIES (KV Series)

# of Stations	# of Drains Included	# of Faucets Included	# of Knee Valves Included	# of Supports Included
1	1	1	1	2 Support Brackets
2	1	2	2	2 Support Brackets
3	1	3	3	2 Support Brackets
4	1	4	4	2 Support Brackets
5	2	5	5	4 Support Brackets
6	2	6	6	4 Support Brackets

TOOLS NEEDED (Not Included):

- 5/32" Allen Wrench
- 7/16" Open End Wrench

STEP 1

Carefully remove contents of carton/crate. Position sink upside down on a protected surface so you can access the underside of the sink. Install tubular wall supports into Sink gussets (**Figure 1**).



Figure 1

STEP 2

Lightly tighten each Set Screw using 5/32" Allen Wrench. Do not over-tighten at this time (**Figure 2**).

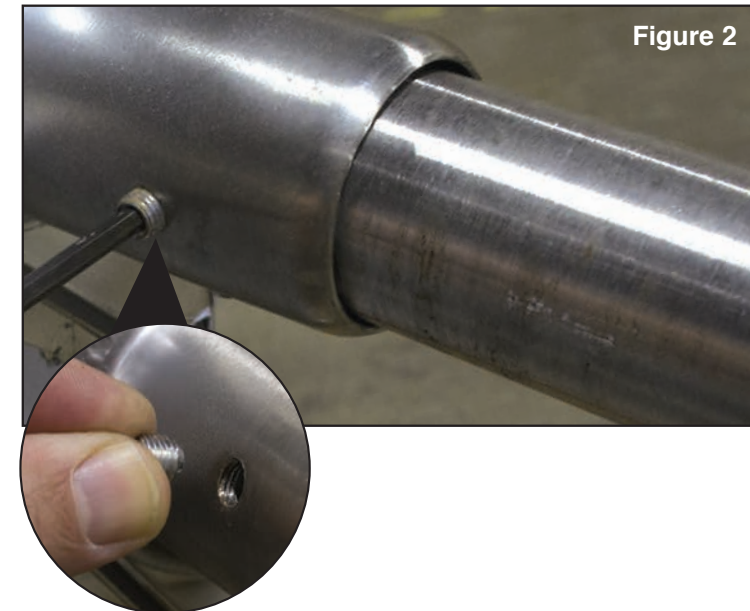
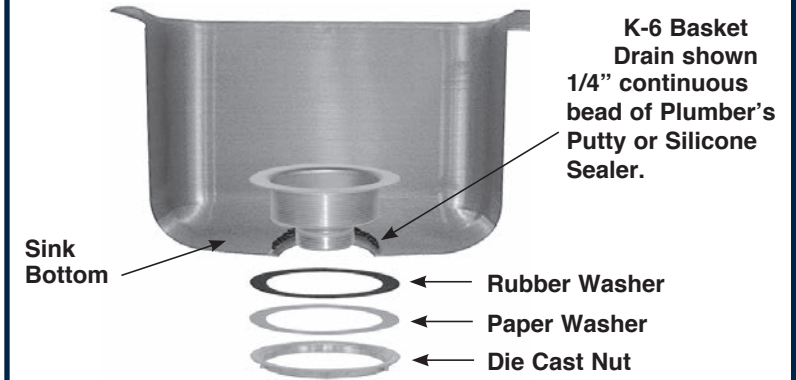


Figure 2

PLEASE NOTE: Some models may require Set Screws to be inserted into the Set Screw Holes.

STEP 3

Place Sink upright and install drain(s) and faucet(s) at this time. Your plumbing contractor is responsible for local code requirements.



STEP 4

Mount the provided wall "Z" brackets to wood studs or cement walls for strong support. Mount the brackets at recommended height of 42" from the finished floor to the top of the bracket (**Figure 3**). **When installing A.D.A. sink models, be sure to review A.D.A. codes for proper install heights.** See suggested rough-in dimensions on next page.

Slide the sink onto the wall brackets and be sure the sink sits securely on them.

Figure 3

