

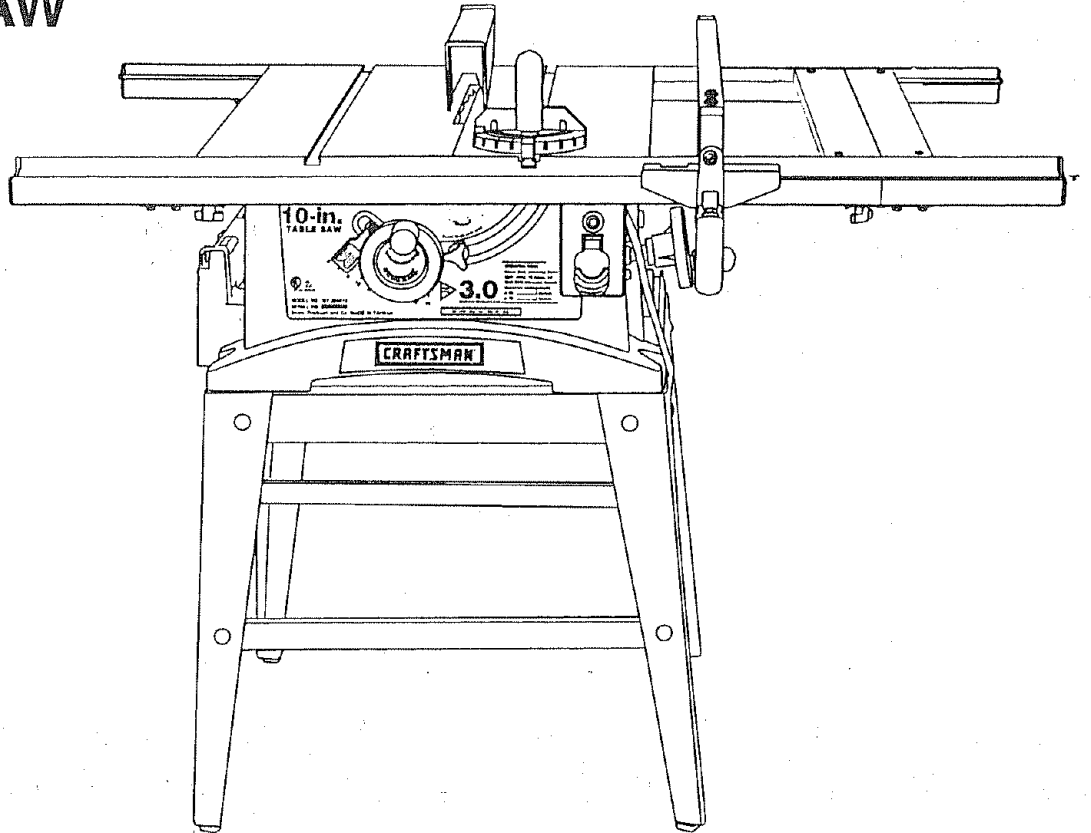
Owner's Manual

CRAFTSMAN®

3 HP (Maximum Developed)
10" Inch Blade
4000 R.P.M.

TABLE SAW

Model No.
137.228010



CAUTION:

Before using this Table Saw, read this manual and follow all its Safety Rules and Operating Instructions.

- Safety Instructions
- Installation
- Operation
- Maintenance
- Parts List

Customer Help Line
1-800-843-1682

Sears, Roebuck and Co., Hoffman Estates, IL 60179 USA
Part No. 137228010001

TABLE OF CONTENTS

SECTION	PAGE
Warranty	2
Product Specifications	2
Safety Instructions	3
Accessories and Attachments	6
Tools needed for assembly	6
Carton Contents	6
Know Your Table Saw	8
Assembly and Adjustments	9
Operation	16
Maintenance	20
Troubleshooting guide	21
Parts	22
Making a push stick	33

WARRANTY

FULL ONE YEAR WARRANTY

If this product fails due to a defect in material or workmanship within one year from the date of purchase, Sears will repair it free of charge.

Contact a Sears Service Center for repair.

If this product is used for commercial or rental purposes, this warranty applies only for 90 days from the date of purchase.

This warranty gives you specific legal rights, and you may also have other rights which vary from state to state.

Sears, Roebuck and Co., Dept. 817 WA, Hoffman Estates, IL 60179

PRODUCT SPECIFICATIONS

MOTOR

Maximum developed HP	3.0
Type	Universal
Volts	120
Amperes	15
Hertz	60
RPM (no load)	4000
Overload protection	Yes

SAW

Table	25-3/16" x 21-1/4"
Extension rails	2 (Right & Left)
Extension rip capacity	24-1/2" (Right)
Blade	10"
Rip scale	Yes
Rip fence	Yes
Miter gauge	Yes
Leg set	Yes
Maximum cutting depth at 90°	3"
Maximum cutting depth at 45°	2"
Maximum width of dado	13/16"
Weight	75 Lb.

⚠ WARNING

To avoid electrical hazards, fire hazards, or damage to the tool, use proper circuit protection.

Your table saw is wired at the factory for 120V operation. Connect to a 120V, 15 AMP branch circuit and use a 15 AMP time delay fuse or circuit breaker. To avoid shock or fire, replace power cord immediately if it is worn, cut or damaged in any way.

SAFETY

GENERAL SAFETY INSTRUCTIONS

BEFORE USING THE TABLE SAW

Safety is a combination of common sense, staying alert and knowing how to use your table saw.

⚠ WARNING

To avoid mistakes that could cause serious injury, do not plug the table saw in until you have read and understood the following:

- 1. READ** and become familiar with this entire instruction manual. LEARN the tool's applications, limitations, and possible hazards.
- KEEP GUARDS IN PLACE** and in working order.
- REMOVE ADJUSTING KEYS AND WRENCHES.** Form the habit of checking to see that keys and adjusting wrenches are removed from the tool before turning ON.
- KEEP WORK AREA CLEAN.** Cluttered areas and benches invite accidents.
- DON'T USE IN A DANGEROUS ENVIRONMENT.** Don't use power tools in damp or wet locations, or expose them to rain. Keep work area well lighted.
- KEEP CHILDREN AWAY.** All visitors should be kept at a safe distance from the work area.
- MAKE WORKSHOP KID PROOF** with padlocks, master switches, or by removing starter keys.
- DON'T FORCE THE TOOL.** It will do the job better and safer at the rate for which it was designed.
- USE THE RIGHT TOOL.** Don't force tool or the attachment to do a job for which it was not designed.
- USE PROPER EXTENSION CORD.** Make sure your extension cord is in good condition. When using an extension cord, be sure to use one heavy enough to carry the current your product will draw. An undersized cord will cause a drop in line voltage resulting in loss of power and overheating. The table on page 5 shows the correct size to use depending on cord length and nameplate ampere rating. If in doubt, use the next heavier gauge. The smaller the gauge number, the heavier the cord.
- WEAR PROPER APPAREL.** DO NOT wear loose clothing, gloves, neckties, rings, bracelets, or other jewelry which may get caught in moving parts. Nonslip footwear is recommended. Wear protective hair covering to contain long hair.
- WEAR YOUR SAFETY GOGGLES.** FORESIGHT IS BETTER THAN NO SIGHT.
- ALWAYS WEAR EYE PROTECTION.** Any table saw can throw foreign objects into the eyes which could cause permanent eye damage. ALWAYS wear Safety Goggles (not glasses) that comply with ANSI safety standard Z87.1. Everyday eyeglasses have only impact-resistant lenses. They ARE NOT safety glasses. Safety Goggles are available at Sears. **NOTE:** Glasses or goggles not in compliance with ANSI Z87.1 could seriously hurt you when they break.
- WEAR A FACE MASK OR DUST MASK.** Sawing operation produces dust.
- SECURE WORK.** Use clamps or a vise to hold work when practical. It's safer than using your hand and it frees both hands to operate tool.
- DISCONNECT TOOLS** before servicing, and when changing accessories, such as blades, bits, cutters, and the like.
- REDUCE THE RISK OF UNINTENTIONAL STARTING.** Make sure the switch is in OFF position before plugging in.
- USE RECOMMENDED ACCESSORIES.** Consult the owner's manual for the recommended accessories. The use of improper accessories may cause risk of injury to persons.
- NEVER STAND ON TOOL.** Serious injury could occur if the tool is tipped or if the cutting tool is unintentionally contacted.
- CHECK FOR DAMAGED PARTS.** Before further use of the tool, a guard or other part that is damaged should be carefully checked to determine that it will operate properly and perform its intended function. Check for alignment of moving parts, binding of moving parts, breakage of parts, mounting, and any other conditions that may affect its operation. A guard or other part that is damaged should be properly repaired or replaced.
- NEVER LEAVE TOOL RUNNING UNATTENDED. TURN THE POWER OFF.** Don't leave the tool until it comes to a complete stop.
- DON'T OVERREACH.** Keep proper footing and balance at all times.
- MAINTAIN TOOLS WITH CARE.** Keep tools sharp and clean for best and safest performance. Follow instructions for lubricating and changing accessories.
- DIRECTION OF FEED.** Feed work into a blade or cutter against the direction of rotation of the blade or cutter only.

SAVE THESE INSTRUCTIONS

24. **WARNING:** Dust generated from certain materials can be injurious to your health. Always operate saw in well ventilated areas and provide for proper dust removal.

SPECIFIC SAFETY INSTRUCTIONS FOR THE TABLE SAW

- ALWAYS USE SAW BLADE GUARD** spreader and anti-kickback pawls for every operation for which they can be used, including through-sawing. Through-sawing operations are those in which the blade cuts completely through the workpiece when ripping or cross-cutting.
- ALWAYS HOLD THE WORK FIRMLY** against the miter gauge or rip fence.
- USE A PUSH STICK** when required. Always use a push stick for ripping narrow stock. Refer to ripping applications in the instruction manual where the push stick is covered in detail. See the push stick pattern included in this Owner's Manual.
- NEVER PERFORM ANY OPERATION "FREE HAND"**, which means using your hands only to support or guide the workpiece. Always use either the fence or the miter gauge to position and guide the work.
- NEVER STAND** or have any part of your body in line with the path of the saw blade. Keep your hands out of the line of the saw blade.
- NEVER REACH** behind or over the cutting tool for any reason.
- REMOVE** the rip fence when cross-cutting.
- DO NOT USE** molding head set with this saw.
- FEED WORK INTO THE BLADE** against the direction of rotation only.
- NEVER** use the fence as a cut-off gauge when cross-cutting.
- NEVER ATTEMPT TO FREE A STALLED SAW BLADE** without first turning the saw OFF. Turn power switch OFF immediately to prevent motor damage.
- PROVIDE ADEQUATE SUPPORT** to the rear and sides of the saw table for wide or long workpieces.
- AVOID KICKBACKS** (work thrown back towards you) by keeping the blade sharp, keeping the rip fence parallel to the saw blade, and by keeping the spreader, anti-kickback pawls, and guard in place and functioning. Do not release work before it is pushed all the way past the saw blade. Do not rip work that is twisted, warped, or does not have a straight edge to guide along the fence.

- AVOID AWKWARD OPERATIONS** and hand positions where a sudden slip could cause your hand to move into the cutting tool.
- NEVER USE SOLVENTS** to clean plastic parts. Solvents could possibly dissolve or otherwise damage the material. Only a soft damp cloth should be used to clean plastic parts.
- MOUNT** your table saw before performing any cutting operations. Refer to installation instructions.
- NEVER CUT METALS** or materials which may make hazardous dust.
- ALWAYS USE IN A WELL VENTILATED AREA.** Remove sawdust frequently. Clean out sawdust from the interior of the saw to prevent a potential fire hazard. Attach a vacuum to the dust chute for additional sawdust removal.
- NEVER LEAVE THE TOOL** running unattended. Don't leave the tool until it comes to a complete stop.
- For proper operation follow the instructions of this owner's manual titled "SAW MOUNTED TO WORK SURFACES." Failure to provide sawdust fall-through and removal hole will allow sawdust to build up in the motor area, which may result in a fire hazard or cause motor damage.
- ALWAYS USE THE TABLE EXTENSION** for extra support when cutting a long workpiece. Never use another person or any unstable surface to hold long workpiece.
- ALWAYS LOCK THE TABLE EXTENSION** securely in place before cutting workpiece.

ELECTRICAL REQUIREMENTS

POWER SUPPLY AND MOTOR SPECIFICATIONS

⚠ WARNING

To avoid electrical hazards, fire hazards, or damage to the tool, use proper circuit protection. Use a separate electrical circuit for your tools. Your saw is wired at the factory for 120V operation. Connect to a 120V, 15 Amp circuit and use a 15 Amp time delay fuse or circuit breaker. To avoid shock or fire, if power cord is worn or cut, or damaged in any way, have it replaced immediately.

GROUNDING INSTRUCTIONS

IN THE EVENT OF A MALFUNCTION OR BREAKDOWN, grounding provides a path of least resistance for electric current and reduces the risk of electric shock. This tool is equipped with an electric cord that has an equipment grounding conductor and a grounding plug. The plug **MUST** be plugged into a matching receptacle that is properly installed and grounded in accordance with ALL local codes and ordinances.

DO NOT MODIFY THE PLUG PROVIDED. If it will not fit the receptacle, have the proper receptacle installed by a qualified electrician.

IMPROPER CONNECTION of the equipment grounding conductor can result in risk of electric shock. The conductor with the green insulation (with or without yellow stripes) is the equipment grounding conductor. If repair or replacement of the electric cord or plug is necessary, **DO NOT** connect the equipment grounding conductor to a live terminal.

CHECK with a qualified electrician or service person if you do not completely understand the grounding instructions, or if you are not sure the tool is properly grounded.

USE A SEPARATE ELECTRICAL CIRCUIT for your tools. This circuit must not be less than #12 wire and should be protected with a 15 Amp time delay fuse. Before connecting the motor to the power line, make sure the switch is in the OFF position and the electric current is rated the same as the current stamped on the motor nameplate. Running at a lower voltage will damage the motor.

This tool is intended for use on a circuit that has a receptacle like the one illustrated in FIGURE A. FIGURE A shows a 3-prong electrical plug and receptacle that has a grounding conductor. If a properly grounded receptacle is not available, an adapter (FIGURE B) can be used to temporarily connect this plug to a 2-contact ungrounded receptacle. The temporary adapter should be used only until a properly grounded receptacle can be installed by a qualified technician. The adapter (FIGURE B) has a rigid lug extending from it that **MUST** be connected to a permanent earth ground, such as a properly grounded receptacle box. The Canadian Electrical Code prohibits the use of adapters.

CAUTION: In all cases, make certain the receptacle is properly grounded. If you are not sure have a qualified electrician check the receptacle.

⚠ WARNING

This table saw is for indoor use only. Do not expose to rain or use in damp locations.

Fig. A

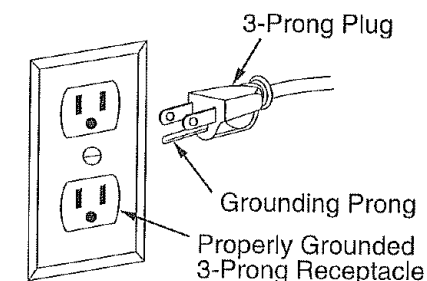
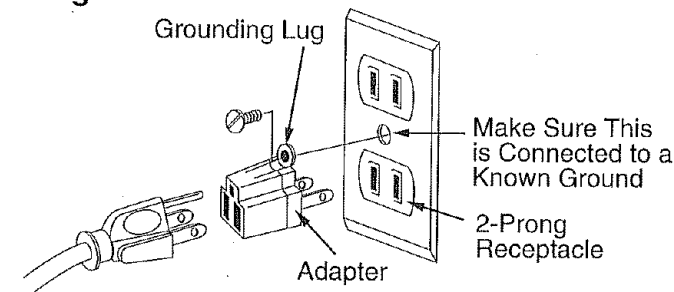


Fig. B



GUIDELINES FOR EXTENSION CORDS

USE ONLY 3-wire extension cords that have 3-prong grounding plugs and 3-pole receptacles that accept the tool's plug. Repair or replace damaged or worn cord immediately.

USE PROPER EXTENSION CORD. Make sure your extension cord is in good condition. When using an extension cord, be sure to use one heavy enough to carry the current your product will draw. An undersized cord will result in a drop in line voltage and in loss of power which will cause the tool to overheat. The table below shows the correct size to use depending on cord length and nameplate ampere rating. If in doubt, use the next heavier gauge. The smaller the gauge number, the heavier the cord.

Be sure your extension cord is properly wired and in good condition. Always replace a damaged extension cord or have it repaired by a qualified person before using it. Protect your extension cords from sharp objects, excessive heat and damp or wet areas.

⚠ WARNING

This tool must be grounded while in use to protect the operator from electrical shock.

MINIMUM GAUGE FOR EXTENSION CORDS (AWG)					
(when using 120 volts only)					
Ampere Rating		Total length of cord in feet			
more than	not more than	25'	50'	100'	150'
0	6	18	16	16	14
6	10	18	16	14	12
10	12	16	16	14	12
12	16	14	12	Not Recommended	

SAVE THESE INSTRUCTIONS

SAVE THESE INSTRUCTIONS

ACCESSORIES AND ATTACHMENTS

RECOMMENDED ACCESSORIES

Visit your Sears Hardware Department or see the Craftsman Power and Hand Tools Catalog to purchase recommended accessories for this power tool.

▲ WARNING

To avoid the risk of personal injury:

- Do not use adjustable (wobble) type dadoes or carbide tipped dado blades, maximum dado width is 13/16".
- Do not use a dado with a diameter larger than 6".
- Do not use molding head set with this saw.
- Do not modify this power tool or use accessories not recommended by Sears.

CARTON CONTENTS

UNPACKING AND CHECKING CONTENTS

Separate all parts from packing material. Check each one with the illustration and the list of loose parts to make certain all items are accounted for, before discarding any packing material.

▲ WARNING

To avoid personal injury:

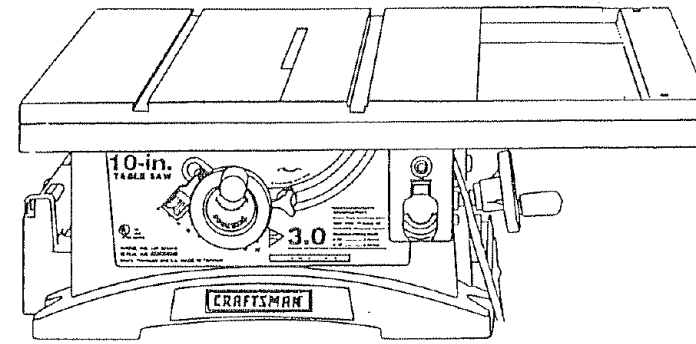
- If any parts are missing, do not attempt to assemble the table saw, plug in the power cord, or turn the switch on until the missing parts are obtained and are installed correctly.
- This tool is heavy. Get help whenever you have to lift the saw.

TABLE OF LOOSE PARTS

ITEM	DESCRIPTION	QUANTITY
SAW		
A.	Table saw	1
B.	2-1/2" Adapter	1
C.	Blade guard assembly	1
D.	Rip fence handle	1
E.	Rip fence	1
F.	Dado table insert	1
G.	Front extension rail assembly	2
H.	Rear extension rail assembly	2
I.	Table extension wings	2
J.	Mitre gauge assembly	1
K.	Blade wrenches	2
L.	Angled wrench	1
M.	Scale	2
N.	Hex head bolts	2
O.	Copper washers	4
P.	Steel washers	2
Q.	Flat head bolts	4
STAND		
R.	Top bracket (short)	2
S.	Top bracket (long)	2
T.	Bottom bracket (short)	2
U.	Bottom bracket (long)	2
V.	Legs	4
W.	Bag of bolts, nuts, foot pads	1

NOTE: To make assembly easier, keep contents of box together. Apply a coat of automobile wax to the table. This will reduce friction when pushing the workpiece. Wipe all parts thoroughly with a clean dry cloth.

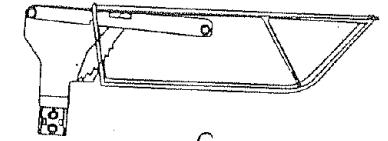
UNPACKING YOUR TABLE SAW:



A.



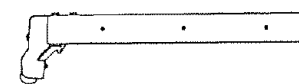
B.



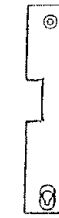
C.



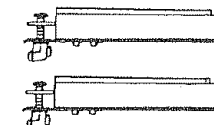
D.



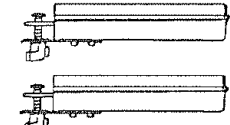
E.



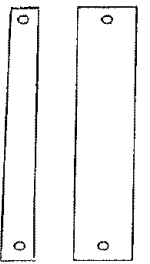
F.



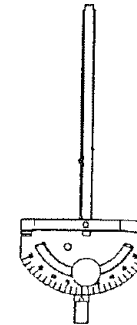
G.



H.



I.



J.



K.



L.



M.



N.



O.



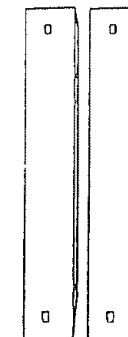
P.



Q.



R.



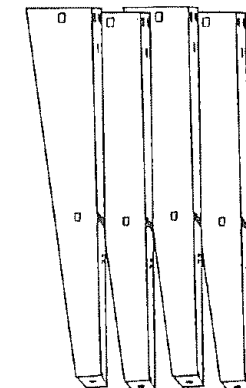
S.



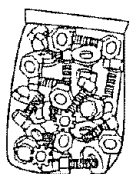
T.



U.



V.



W.

TOOLS NEEDED FOR ASSEMBLY

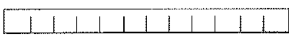
TOOLS NEEDED



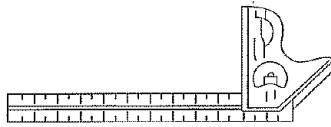
#2 Phillips screwdriver



Adjustable wrench

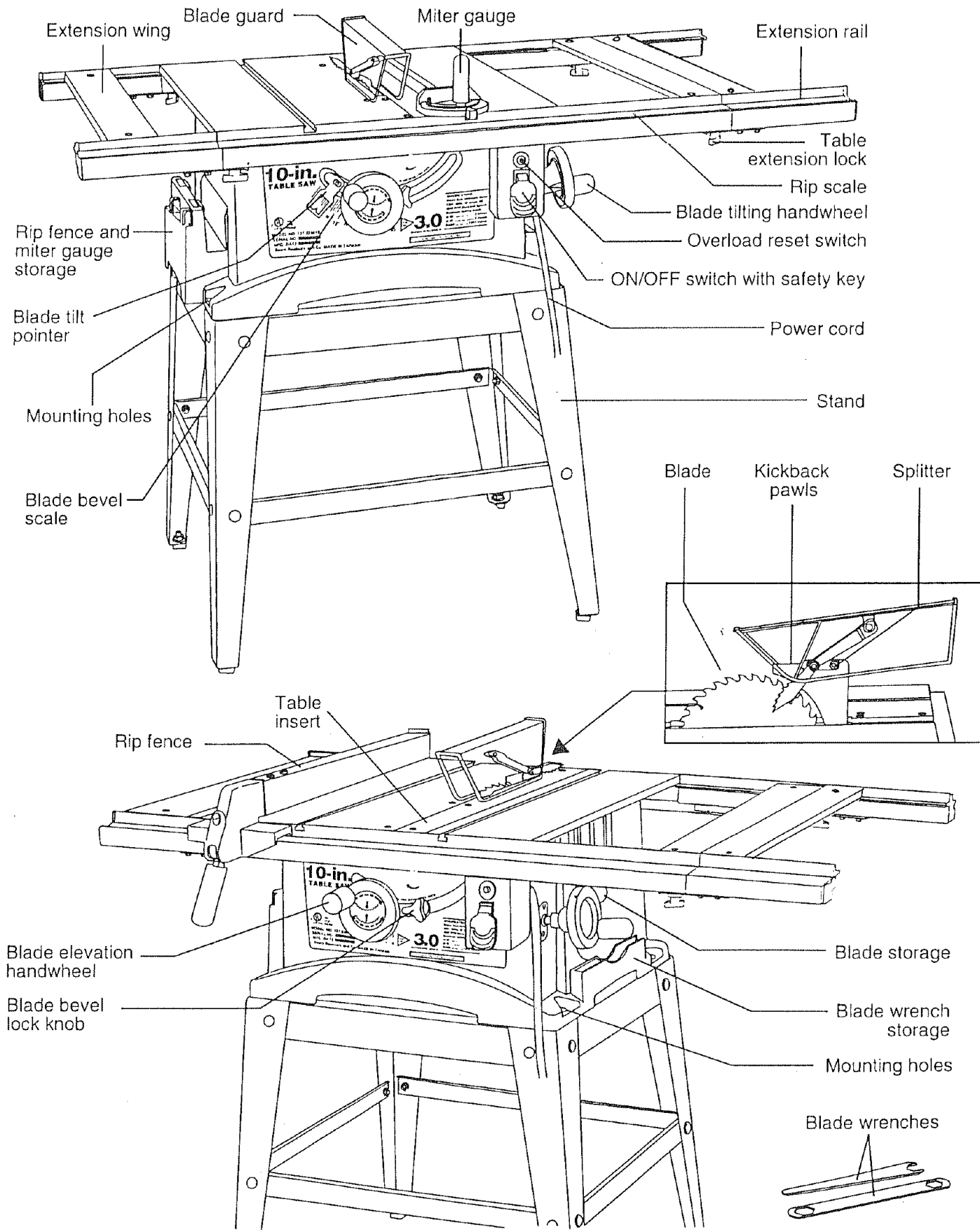


Straight edge



Combination square

KNOW YOUR TABLE SAW



8

ASSEMBLY AND ADJUSTMENTS

ASSEMBLY INSTRUCTIONS

⚠ WARNING

For your own safety, never connect plug to power source outlet until all assembly steps are complete, and you have read and understood the safety and operating instructions.

NOTE: If the leg set will not be used, the saw must be properly secured to a workbench with a sawdust fall-through hole and access to the blade adjustment rods. The dust chute must be installed before attaching the table saw to the workbench.

LEG SET (FIG. B)

1. Separate all parts and group by size and style.

NOTE: Finger tighten bolts and nuts when joining parts.

2. Use bolts (1), washers (2), and nuts (3) to assemble the leg set parts.
3. Attach a leg (4) to the long top bracket (5). Attach the next leg to the opposite end of the top bracket.
4. Repeat this assembly for the opposite side of the leg set.
5. Attach the completed leg set assemblies to the short top brackets (6). Repeat on the opposite side.
6. Insert bolt (7) into the recessed hole of the foot pad (8).
7. Insert into the leg flange hole and tighten, using washer (9) and nut (10). Repeat for the three other legs.
8. Attach the bottom brackets (11) between each leg.
9. Place the leg set on a level surface and tighten all nuts and bolts.

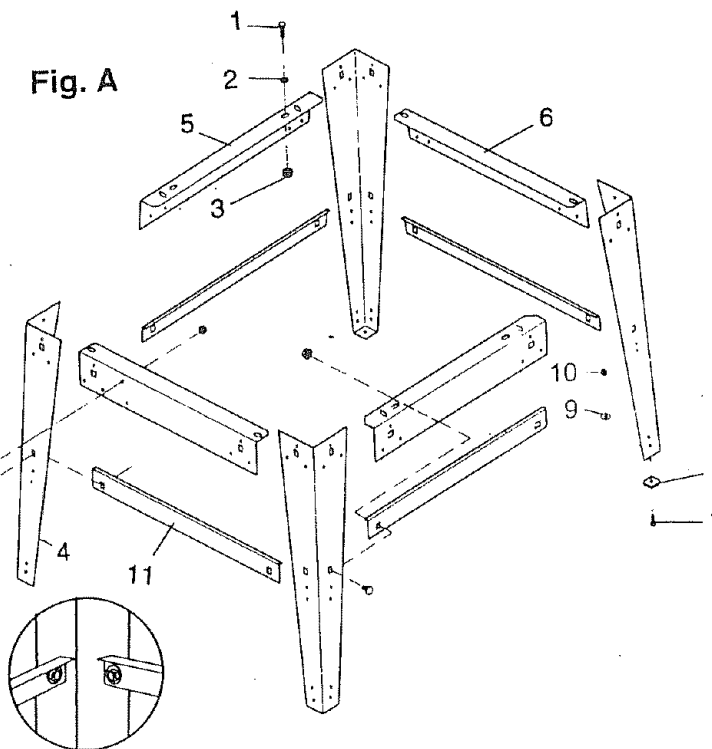
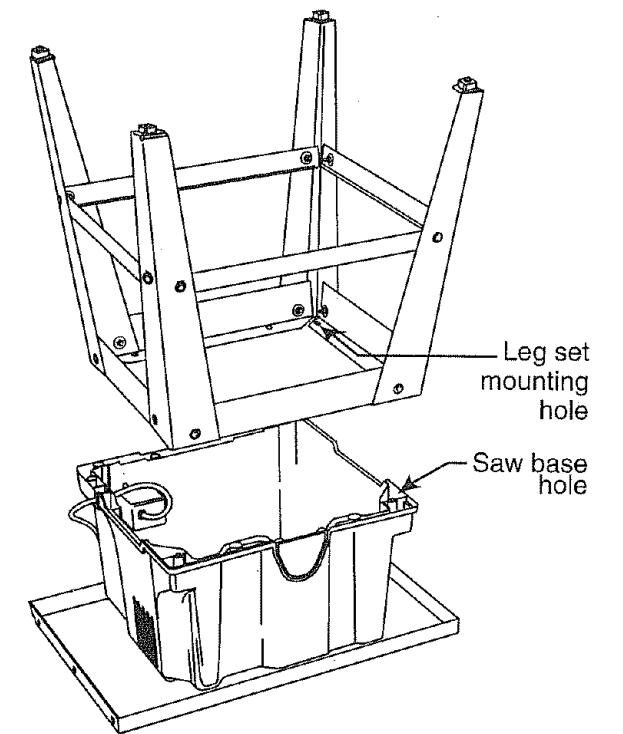


Fig. A

SAW TO LEG SET (FIG. C)

1. Before mounting the blade guard, the rip fence and miter gauge to the saw top, invert the saw table so that it is facing the floor.
2. Position the leg set upside down on the saw base.
3. Match the holes of the stand to the holes on the bottom flange of the saw base.
4. Secure the leg set to the saw base using bolts, washers, and nuts.
5. When all bolts and nuts are tightened, carefully set the saw in its upright position.
6. Position the saw on a clean, level surface.

Fig. B



9

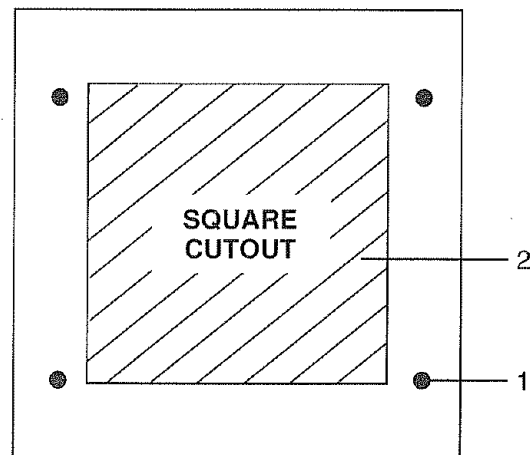
SAW MOUNTED TO OTHER WORK SURFACES (FIG. C)

▲ WARNING

To avoid fire hazard and possible injury:

- The choice of work surface should provide access to the area under the saw housing. The blade regulating rods need to be adjusted and maintained, and sawdust accumulation prevented.
 - Attach a vacuum hose to the dust chute to facilitate sawdust removal.
1. If the leg set will not be used the saw must be properly secured to a sturdy workbench using the four mounting holes at the base of the saw.
 2. The surface of the table where the saw is to be mounted must have a hole large enough to facilitate sawdust fall-through and removal.
 3. Square the saw on the mounting surface and mark the location of the four 3/8" mounting holes (1).
 4. Drill 3/8" holes into the mounting surface.
 5. Mark a 12" to 14" square (2) centered between the four mounting holes (1).
 6. Cut out and remove the square.
 7. This opening will allow sawdust to fall through the saw base.
 8. Place the saw on the work surface, and align the mounting holes of the saw with those drilled through the surface.
 9. Fasten the saw to the work surface.

Fig. C



EXTENSION WINGS AND RAILS (FIG. D, E)

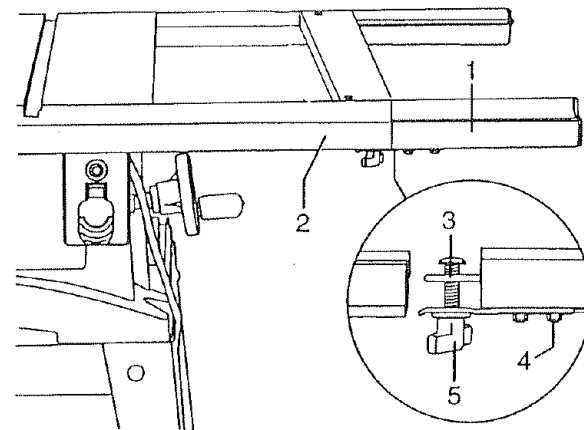
NOTE: There are two extension support rails shaped to match the front table rail and two extension support rails shaped to match the rear table rail.

Install the support rails (FIG. D)

1. Match the extension rail (1) shape to the front and rear table rails (2).
2. Push the bracket assemblies (3) firmly into the ends of the table rails, sliding the flats of the bracket and the bolts into the rail slots.

3. Place a combination square ruler across a table rail and one extension support rail.
4. If the rail is not level with the table rail, adjust the bolts (4) and rails. When the rail is level and snug, tighten the lock knob (5).
5. Repeat this procedure for all extension support rails.

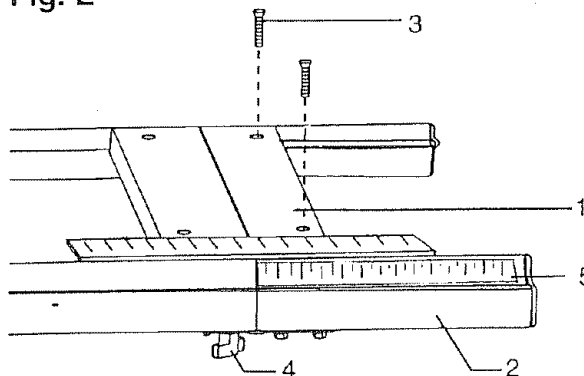
Fig. D



Install the extension wing (FIG. E)

1. Place the extension wing (1) on the rails, aligning with the holes in each rail (2).
2. Thread screws (3) into each hole and tighten.
3. Place a straight ruler on the extension wing and table and measure the alignment, front and rear. It should be parallel to the edge of the table top, and flat.
4. If the alignment of the wing to the table is not correct, loosen the screws and adjust its position. Tighten the screws and check the alignment again.
5. Stick the scale (5) on the front extension rail, right and left.

Fig. E



Installing or removing the table extensions (FIG. E)

NOTE: When the extension wing assemblies are complete, they may be removed or installed quickly and easily.

To remove, loosen the two lock knobs (4), front and rear. Pull the entire wing assembly out of the table rails.

To install, push the wing assembly support rails into the table rails firmly. Tighten both lock knobs.

BLADE GUARD ASSEMBLY (FIG. F, G, H)

▲ WARNING

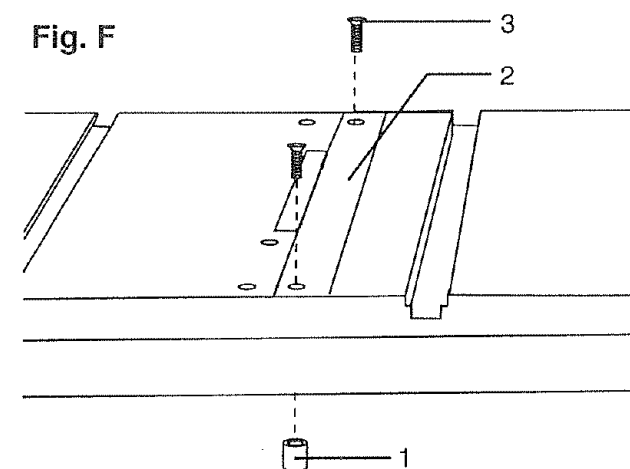
To avoid injury:

- From an accidental start, make sure the switch is in the OFF position and the plug is not connected to the power source outlet.
- When changing any blade or installing the blade guard, cover the blade teeth with folded cardboard.
- From a thrown workpiece, thrown blade parts, or blade contact, never operate the saw without the proper table insert in place. Always use the blade insert when sawing and the dado insert when using a dado.

Remove the table insert (FIG. F)

1. Loosen and remove the front and rear thumb-nuts (1) from under the table insert (2).
2. Unscrew the two screws (3) from the top and remove the table insert.

Fig. F



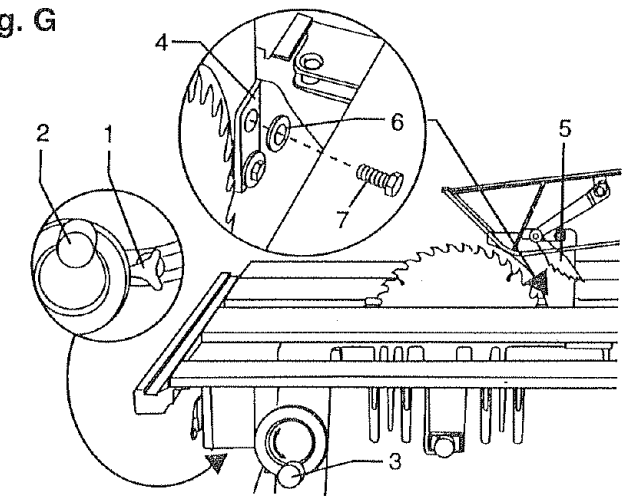
▲ WARNING

To avoid injury from an accidental start, make sure the switch is in the OFF position and the plug is not connected to the power source outlet.

Installing the blade guard assembly (FIG. G)

1. Remove table insert.
2. Unlock the blade bevel lock knob (1).
3. With the blade elevation handwheel (2), raise the blade to the maximum height.
4. Using the blade tilting handwheel (3), tilt the blade to 45° on the bevel scale.
5. Lock the blade tilt locking knob.
6. Locate the splitter assembly mounting bracket (4) in back of the blade.
7. Cover the blade teeth with a folded cardboard or position the plastic blade guard over the blade to protect your hands.
8. Place the two kickback pawls (5) toward the rear of the table, and align the splitter mounting holes to the holes in the bracket.
9. Place the steel flat washers (6) on the two bolts (7) and thread the bolts into the holes.
10. Tighten the bolts with the angled wrench.

Fig. G



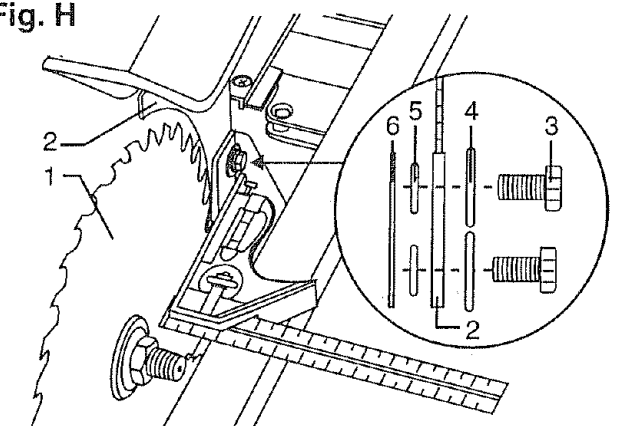
Aligning the blade guard splitter (FIG. H)

NOTE: The splitter must always be correctly aligned with the blade so the cut workpiece will pass on either side without binding or twisting.

Peel off the paper on the copper washer (5) before placing it to the side of splitter (2). Stick it to the splitter (2) if the alignment is needed.

1. Remove table insert.
2. Lift the blade guard and position toward the rear of the table.
3. Raise the blade to the 90° vertical position by unlocking the blade tilt lock and turning the tilting handwheel. Lock the tilt lock.
4. To see if the blade (1) and splitter (2) are correctly aligned, lay a combination square along the side of and against the blade and splitter.
5. Tilt the blade to the 45° position and check the alignment again.
6. If the blade and splitter are not correctly aligned, loosen and remove the two bolts (3) and two washers (4) from the mounting bracket.
7. Reassemble, placing a copper washer (5) on the bolts on the side of the splitter bracket before assembling to the mounting bracket (6). The additional washer will be between the two brackets, changing the alignment.
8. To tilt the splitter to the left, place the washer on the bottom bolt. To tilt the splitter right, place the copper washer on the top bolt.
9. Tighten the bolts and check the splitter and blade alignment again.
10. Add or remove washers until the alignment is correct.
11. Replace the table insert.

Fig. H



CHANGING THE BLADE (FIG. I)

⚠ WARNING

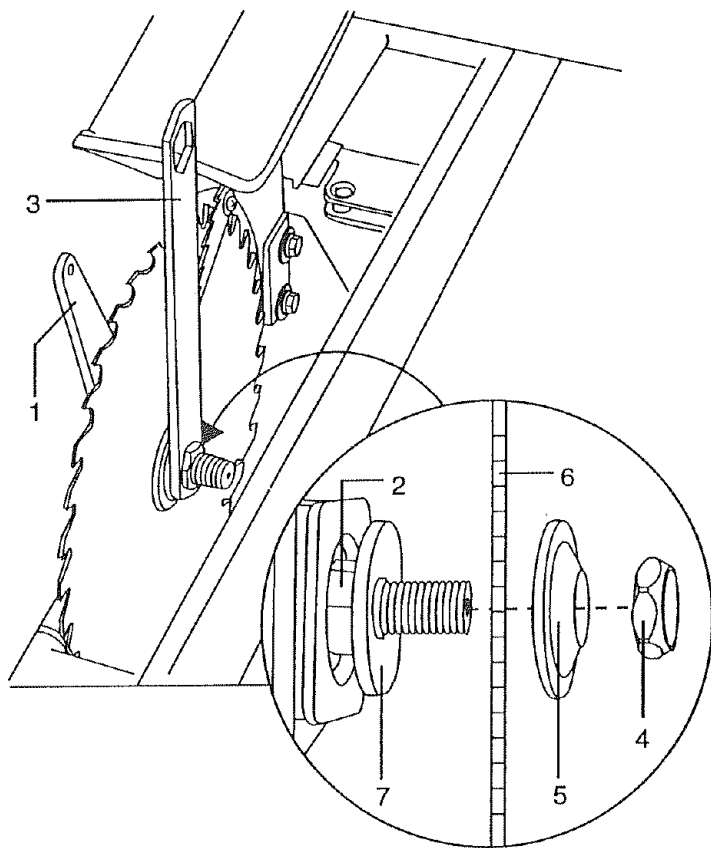
To avoid injury:

- From an accidental start, make sure the switch is in the OFF position and the power cord is not plugged into the power source.
- From a thrown workpiece, thrown blade parts, or blade contact, never operate the saw without the proper table insert in place. Always use the blade insert when sawing and the dado insert when using a dado.
- When changing any blade, cover the blade teeth with folded cardboard or a heavy cloth to protect your hands.

Remove the old blade (FIG. I)

1. Remove table insert.
2. Unlock the blade bevel lock and adjust the blade to the 90° position by turning the blade tilting handwheel.
3. Raise the blade to the maximum height by turning the blade elevation handwheel counterclockwise.
4. Place the open-end blade wrench (1) on the blade arbor, aligning the flats of the wrench with the flats (2) of the arbor, to keep the arbor from turning.
5. Place the box-end blade wrench (3) on the arbor nut (4).
6. Loosen and remove the arbor nut and the flange (5).
7. Remove the old blade (6). Clean but do not remove the inner blade flange (7).

Fig. I



Install the new blade (FIG. I)

1. Place the new blade onto the arbor with the blade teeth pointing forward to the front of the saw.
2. Make sure the blade fits flush against the inner flange.
3. Clean the outer blade flange and install it onto the arbor and against the blade.
4. Thread the arbor nut onto the arbor. Hand-tighten the nut as much as possible.
5. Place the flats of the open-end wrench on the flats of the arbor.
6. Place the box-end wrench on the arbor nut and turn clockwise (toward the rear of the saw table).
7. Replace the table insert.

⚠ WARNING

To avoid injury from a thrown workpiece, thrown blade parts, or blade contact, never operate the saw without the proper insert in place. Always use the blade insert when sawing and the dado insert when using a dado.

RIP FENCE ADJUSTMENT (FIG. K)

1. Always position the fence on the right side of the blade, parallel with a miter gauge groove.
2. Place the back clamp (1) of the fence on the back rail of the table, and lower the front handle end over the front rail (2). Push down the handle (3) to lock.
3. To change the position of the fence, lift up on the handle to unlock, and slide the fence to the desired position. Push the handle down to lock.
4. To check the rip fence adjustment, place the fence along one edge of the miter gauge groove, and lock the handle. It should be parallel to the miter groove to provide accurate cuts.

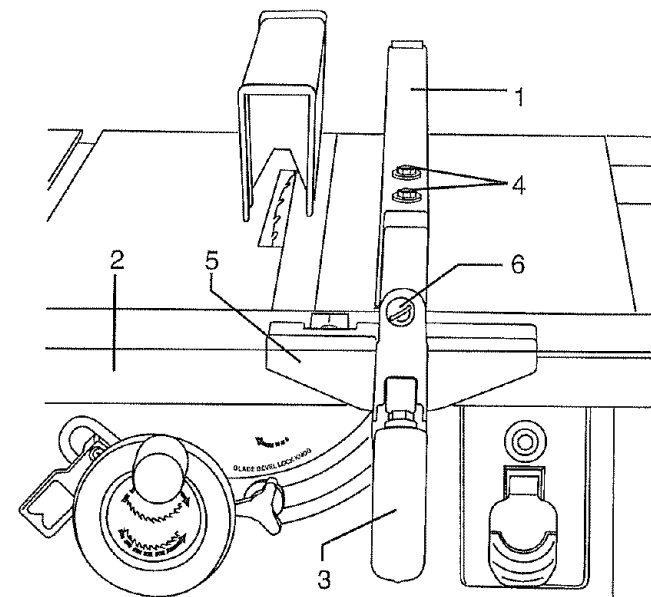
If adjustment is needed to make it parallel:

1. Loosen the two screws (4) on the top of the rip fence, and lift up on the handle (3).
2. Hold the fence bracket (5) firmly against the front of the saw table, next to a miter gauge groove, and move the far end of the fence until the fence is parallel with the groove.
3. Tighten both screws and push the handle down to lock.

If the fence is loose when the handle is in the locked position:

1. Move the handle upward to the unlocked position. Turn the adjusting screw (6) clockwise until the rear clamp is snug.
2. DO NOT turn the adjusting screw more than 1/4 turn at a time.
3. Over-tightening the screws will cause the rip fence to come out of alignment.

Fig. K



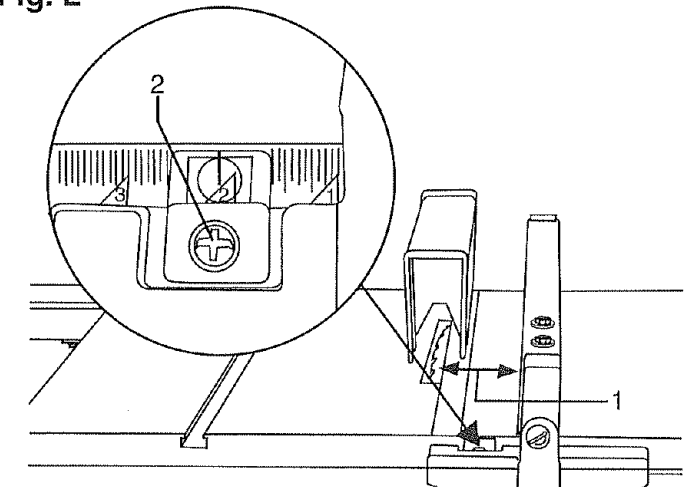
RIP FENCE INDICATOR (FIG. L)

NOTE: The rip fence indicator points to the scale on the front of the table saw.

Measurement shown by the indicator will never match the actual distance to the hairline. The measurement shown is the distance from the blade to the side of the fence nearest the blade.

1. To check the accuracy, measure the actual distance (1) to the side of the rip fence. If there is a difference between the measurement and the indicator, adjust the indicator.
2. Loosen the indicator screw (2). Slide the indicator to the correct measurement position on the scale. Tighten the screw and remeasure.

Fig. L



BLADE ALIGNMENT (FIG. P)

The proper blade alignment is set at the factory, but should be rechecked and adjusted if necessary. Recheck the splitter alignment to the blade if the blade has been aligned. Measure for exactness before making any critical cuts in a workpiece.

⚠ WARNING

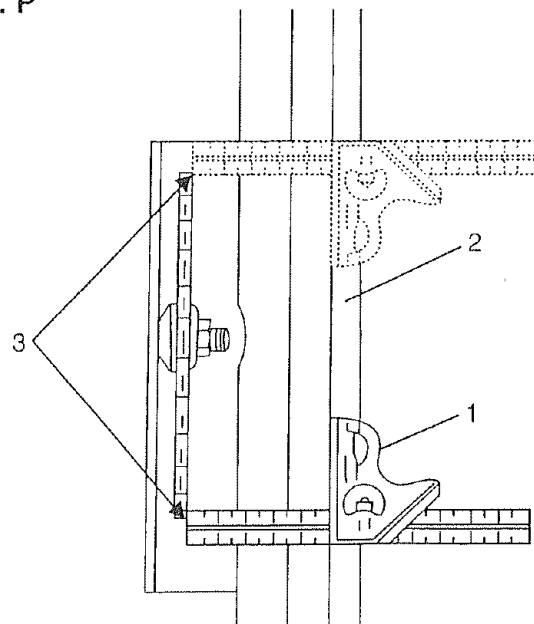
To prevent personal injury:

- Always disconnect the plug from the power source before making any adjustments.
- Make sure the blade and splitter alignments are correct. Kickback and damaged workpieces could result from incorrect alignment.

Checking the alignment (FIG. P)

1. Remove the safety switch key and unplug the saw from the power source.
2. Move the blade guard to the rear of the blade.
3. Loosen the blade tilt lock and place the blade in the 0° vertical position.
4. Raise the blade to its highest elevation and lock the blade tilt lock.
5. Select a blade tooth with a right set, that is bent to the right, and mark with a felt tip marker.
6. Turn the blade so the marked tooth is at the table surface.
7. Place a combination square (1) in the right miter groove (2).
8. Adjust the square's rule so it touches the marked blade tooth (3), and lock the rule's position.
9. Slide the rule in the miter groove to the rear of the blade.
10. Turn the blade to the rear so the marked tooth is at the rear surface of the table.
11. The rule should touch the marked tooth in both the front and rear position.
12. If the marked tooth is not touched in both positions, then the alignment needs adjusting.

Fig. P

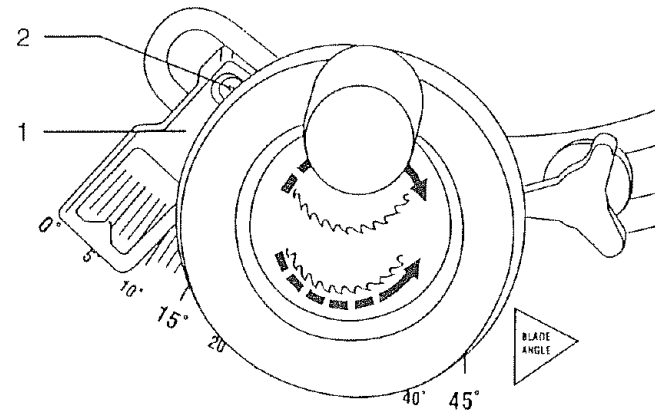


BLADE TILT POINTER (FIG. Q)

The blade tilt pointer (1) should indicate 0° on the scale. If not, loosen the holding screw (2). Position the pointer over 0° and tighten the screw.

NOTE: Make a trial cut and measure for exactness before making any critical cuts in your workpiece.

Fig. Q

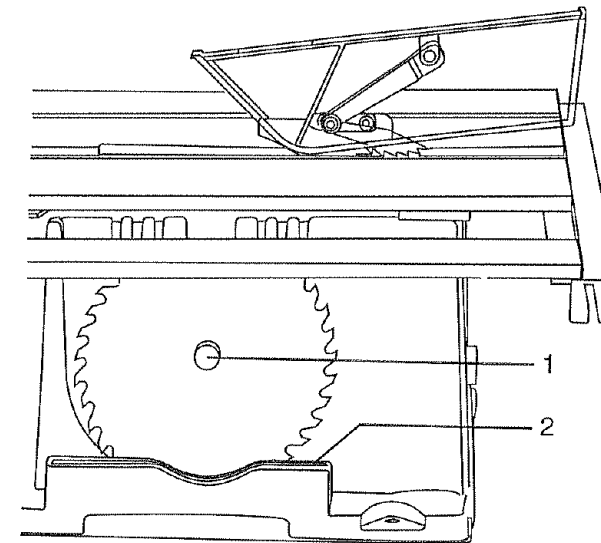


STORAGE (FIG. R, S)

Blades (FIG. R)

1. Loosen and remove the knob (1) on the right side of the saw housing.
2. Place extra blades onto the arbor. Replace the knob and tighten.

Fig. R



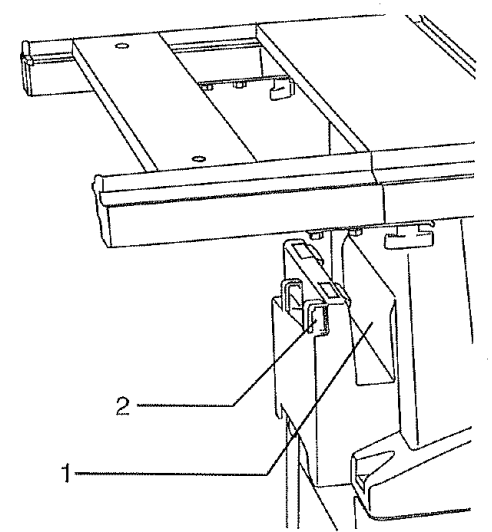
Wrenches (FIG. R)

Below the blade storage are slots (2) for convenient wrench storage.

Rip fence and miter gauge (FIG. S)

Storage brackets for the rip fence (1) and miter gauge (2) are located on the left side of the saw housing.

Fig. S

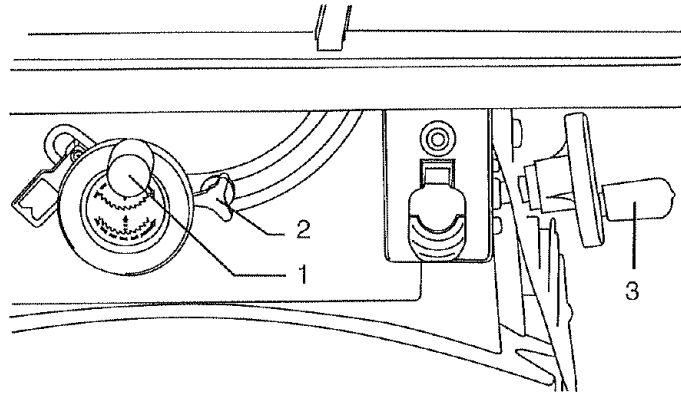


OPERATION

RAISING THE BLADE (FIG. T)

To raise or lower the blade, turn the blade elevation handwheel (1) to the desired blade height. Tighten lock handle (2) to maintain the desired blade angle.

Fig. T



TILTING THE BLADE (FIG. T)

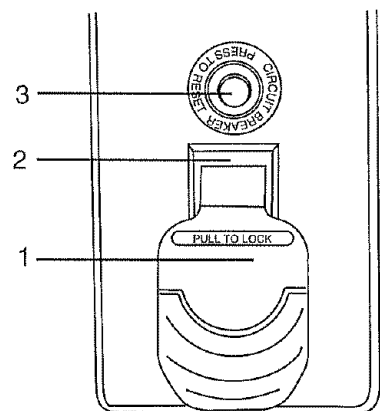
To tilt the saw blade for bevel cutting, loosen the lock handle (2) and turn the tilting handwheel (3). Tighten the lock handle to secure.

ON / OFF SWITCH (FIG. U)

The ON / OFF switch has a removable key. With the key removed from the switch, unauthorized and hazardous use by children and others is minimized.

1. To turn the saw ON, insert key (1) into the slot in the switch (2). Move the switch upward to the ON position.
2. To turn the saw OFF, move the switch downward.
3. To lock the switch in the OFF position, grasp the sides (or yellow part) of the switch toggle (1), and pull it out.
4. With the switch key removed, the switch will not operate.
5. If the switch key is removed while the saw is running, it can be turned OFF but cannot be restarted without inserting the switch key (1).

Fig. U



OVERLOAD PROTECTION (FIG. U)

This saw has a reset overload relay button (3) that will restart the motor after it shuts off due to overloading or low voltage. If the motor stops during operation, turn the ON/OFF switch to the OFF position. Unplug the saw from its power source. Wait about five minutes for the motor to cool down. Push in on the reset button (3) and turn the switch to the ON position.

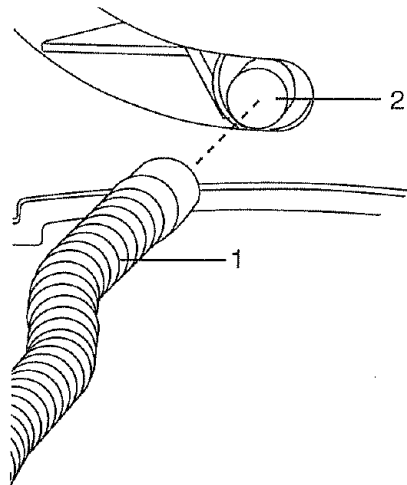
USING THE DUST CHUTE (FIG. V)

▲ WARNING

To prevent fire hazard, follow work surface mounting instructions, clean and remove sawdust from under the saw frequently.

To prevent sawdust buildup inside the saw housing, attach a vacuum hose (1) to the dust chute (2) at the rear of the table saw. DO NOT operate the saw with the hose in place unless the vacuum is turned on.

Fig. V



▲ WARNING

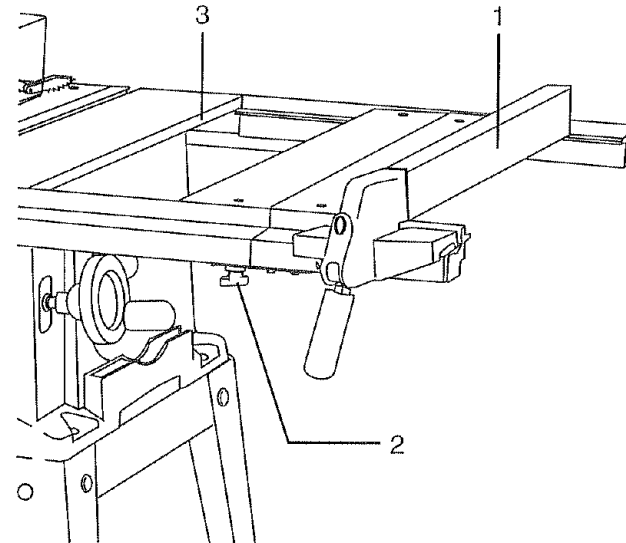
- To prevent serious injury:
- Do not allow familiarity gained from the frequent use of the table saw to cause careless mistakes.
 - A careless fraction of a second is enough to cause a serious injury.
 - Keep both hands away from the blade and the blade path.
 - The workpiece must have a straight edge against a fence.
 - Do not try to saw warped, twisted, or bowed workpieces.
 - Do not try to saw a workpiece too long for the table.
 - Do not use another person or surface to support a workpiece that is too long for the table.

USING THE TABLE EXTENSIONS (FIG. W)

The table extension length allows a maximum 24-1/2" rip capacity to the right of the blade, with the rip fence (1) placed at the end of the extension.

After placing the rip fence at the distance desired, measure from the nearest table top edge (3) to make sure the rip fence is exactly parallel. Before sawing, make sure all extension lock knobs (2) are tightened.

Fig. W



CUTTING OPERATIONS

There are two basic types of cuts: ripping and crosscutting. Ripping is cutting along the length and the grain of the workpiece. Crosscutting is cutting either across the width or across the grain of the workpiece. Neither ripping nor crosscutting may be done safely freehand. Ripping requires the use of the rip fence, and crosscutting requires the miter gauge.

▲ WARNING

Before you use the saw each and every time, check the following:

1. Blade is tight on the arbor.
2. Bevel angle lock knob is tight.
3. If ripping, fence knob is tight and fence is parallel to the miter gauge grooves.
4. Blade guard is in place and working properly.
5. You are wearing safety glasses.

The failure to adhere to these common safety rules, and those printed in the front of this manual, can greatly increase the likelihood of injury.

RIPPING (FIG. X, Y)

▲ WARNING

To prevent serious injury:

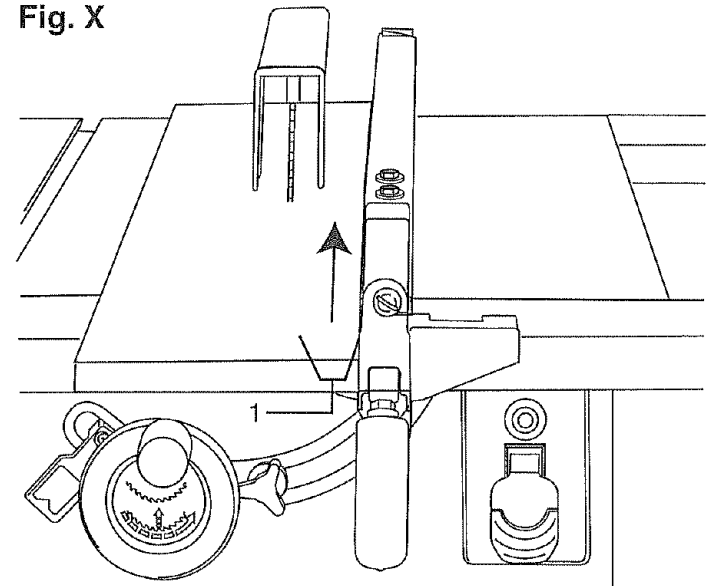
- Do not allow familiarity gained from the frequent use of your table saw to cause careless mistakes. Remember that even a careless fraction of a second is enough to cause a severe injury.
- Keep both hands away from the blade and path of the blade.
- The workpiece must have a straight edge against the fence and must not be warped, twisted, or bowed.

1. Remove the miter gauge. Secure the rip fence to the table.
2. Raise the blade so it is about 1/8" higher than the top of the workpiece.
3. Place the workpiece flat on the table and against the fence. Keep the workpiece about 1" away from the blade.
4. Turn the saw ON and wait for the blade to come up to speed.
5. Slowly feed the workpiece into the blade by pushing forward only on the workpiece section (1) that will pass between the blade and the fence. (FIG. X)

▲ WARNING

AVOID KICKBACK by pushing forward only on that section of the workpiece that will pass between the blade and the fence.

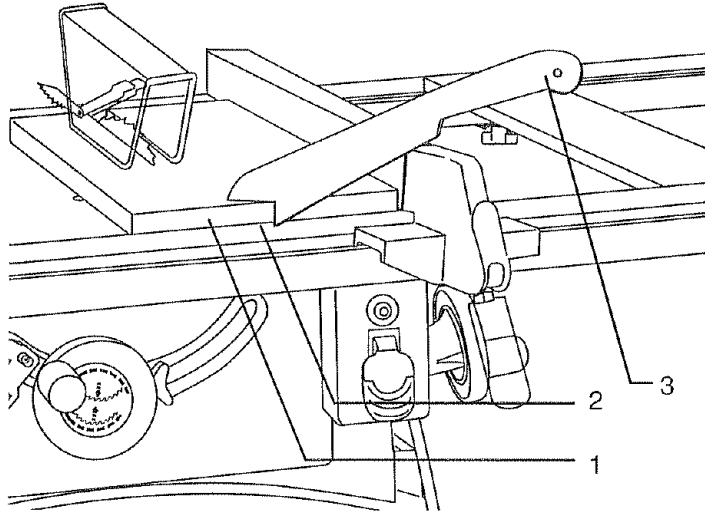
Fig. X



6. (Fig. Y) Keep your thumbs off the table top. When both of your thumbs touch the front edge of the table (2), finish the cut with a push stick (3). Make a push stick using the pattern on page 33.
7. The push stick should always be used when the ripped workpiece is 2" or narrower (1). (FIG. X)
8. Continue pushing the workpiece with the push stick (3) until it passes the blade guard and clears the rear of the table.

- Never pull the workpiece back when the blade is turning. Turn the switch OFF. When the blade completely stops raise the kickback pawls on each side of the splitter and slide the workpiece out.

Fig. Y



BEVEL RIPPING

This cut is the same as ripping except the blade bevel angle is set to an angle other than 0°.

▲ WARNING

Cut only with the workpiece and the fence on the right side of the blade.

RIPPING SMALL PIECES

▲ WARNING

Avoid injury from blade contact. Never make through-saw cuts narrower than 1/2" wide.

- It is unsafe to rip small pieces. Instead, rip a larger piece to obtain the size of the desired piece.
- When a small width is to be ripped and your hand cannot be safely put between the blade and the rip fence, use one or more push sticks to move the workpiece.

CROSSCUTTING (FIG. Z)

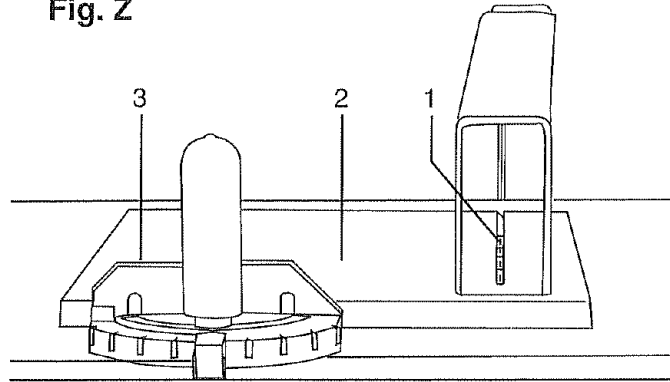
▲ WARNING

To prevent serious injury:

- Do not allow familiarity gained from the frequent use of your table saw to cause careless mistakes. Remember that even a careless fraction of a second is enough to cause a severe injury.
 - Keep both hands away from the blade and path of the blade.
- Remove the rip fence and place the miter gauge in the left side groove.
 - Adjust the blade height so it is 1/8" higher than the top of the workpiece.

- Hold the workpiece firmly against the miter gauge with the blade path in line with the desired cut location. Move the workpiece to one inch distance from the blade.
- Start the saw and wait for the blade (1) to come up to full speed.
- Keep the workpiece (2) against the face of the miter gauge (3) and flat against the table. Then slowly push the workpiece through the blade (FIG. Y).
- Do not try to pull the workpiece back with the blade turning. Turn the switch OFF, and carefully slide the workpiece out when the blade is completely stopped.

Fig. Z

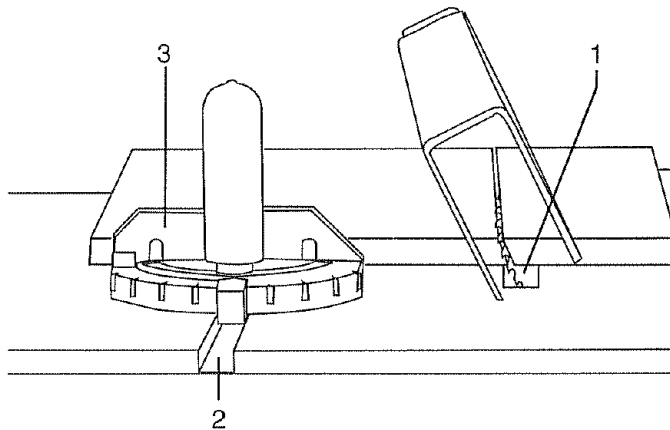


BEVEL CROSSCUTTING (FIG. AA)

This cutting operation is the same as crosscutting except the blade is at bevel angle other than 0°.

- Adjust the blade (1) to the desired angle, and tighten the blade bevel lock knob.
- Always work to the left side of the blade when crosscutting. The miter gauge (3) must be in the left side groove (2).

Fig. AA

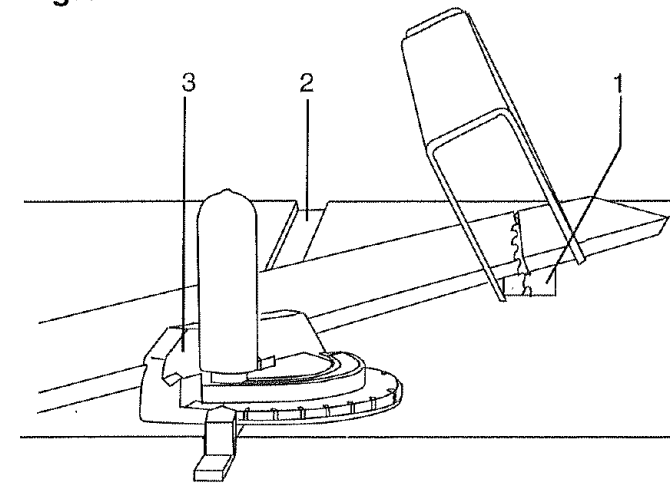


COMPOUND MITER CROSSCUTTING (FIG. BB)

This sawing operation combines a miter angle with a bevel angle.

- Set the miter gauge (3) to the desired angle. Use only the left side groove (2).
- Set the blade (1) bevel to the desired angle.
- Carefully push the miter gauge to begin the cutting operation.

Fig. BB

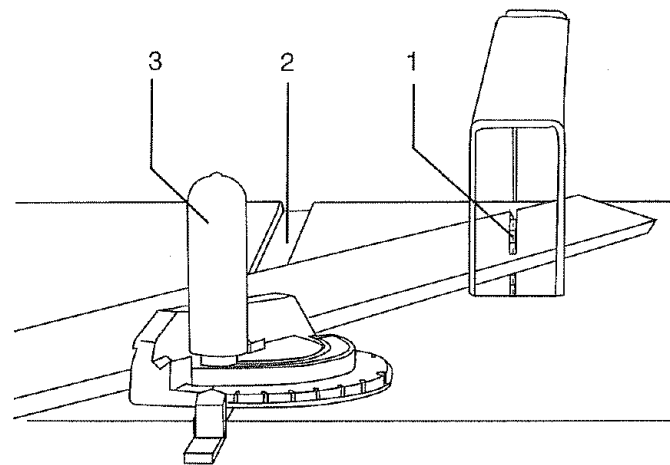


MITERING (FIG. CC)

This sawing operation is the same as crosscutting except the miter gauge is locked at an angle other than 90°.

- Set the miter gauge (3) to the desired angle and place in the left side groove (2).
- Hold the workpiece firmly against the miter gauge.
- Feed the workpiece slowly into the blade (1) to prevent the workpiece from moving.

Fig. CC

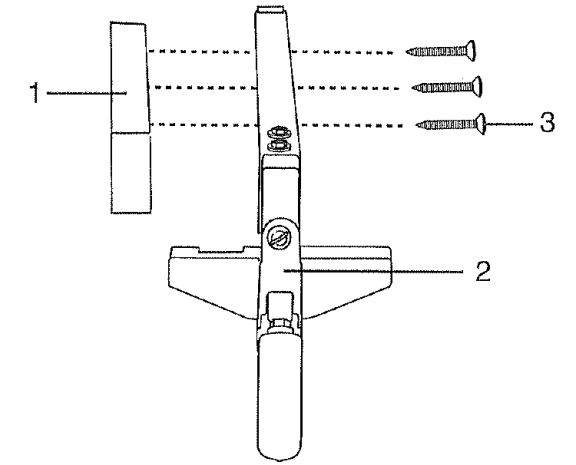


USING WOOD FACING ON THE RIP FENCE (FIG. DD)

When performing some special cutting operations, add a wood facing (1) to either side of the rip fence (2).

- Use a smooth straight 3/4" thick wood board (1) that is as long as the rip fence.
- Attach the wood facing to the fence with wood screws (3) through the holes in the fence. A wood fence should be used when ripping material such as thin paneling to prevent the material from catching between the bottom of the fence and the table.

Fig. DD



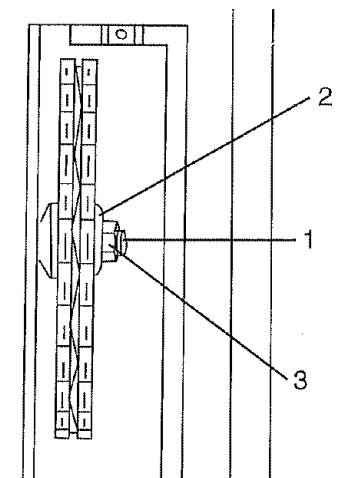
DADO CUTS (FIG. EE)

- The dado table insert is included with this saw. Remove the saw blade, the blade guard, and the table insert. Install the dado and dado table insert.
- Instructions for operating the dado are packed with the separately purchased dado set.
- The arbor (1) on this saw restricts the maximum width of the cut to 13/16".
- It is not necessary to install the outside blade flange (2) before screwing on the arbor nut (3). Make sure that the arbor nut is tight, and that at least one thread of the arbor sticks out past the nut.
- Use only the 6" dado set and keep the width 13/16" or less. It is necessary to remove the blade guard and splitter when using a dado. Use caution when the dado is operating.
- Use only the correct number of round outside blades and inside chippers as shown in the dado set's instruction manual. The blade or chipper must not exceed 13/16".
- Make sure the dado will not strike the housing, insert, or motor when in operation.

▲ WARNING

For your own safety, always replace the blade, blade guard assembly, and blade insert when you are finished with the dado operation.

Fig. EE



MAINTENANCE

MAINTAINING YOUR TABLE SAW

GENERAL MAINTENANCE

⚠ WARNING

For your own safety, turn the switch OFF and remove the switch key. Remove the plug from the power source outlet before maintaining or lubricating your saw.

1. Clean out all sawdust that has accumulated inside the saw cabinet and the motor.
2. Polish the saw table with an automotive wax to keep it clean and to make it easier to slide the workpiece.
3. Clean cutting blades with pitch and gum remover.
4. A worn, cut, or damaged power cord should be replaced immediately.

⚠ WARNING

All electrical or mechanical repairs should be attempted only by a trained repair technician. Contact the nearest Sears Service Center for service. Use only identical replacement parts. Any other parts may create a hazard.

5. Use liquid dish washing detergent and water to clean all plastic parts.

NOTE: Certain cleaning chemicals can damage plastic parts.

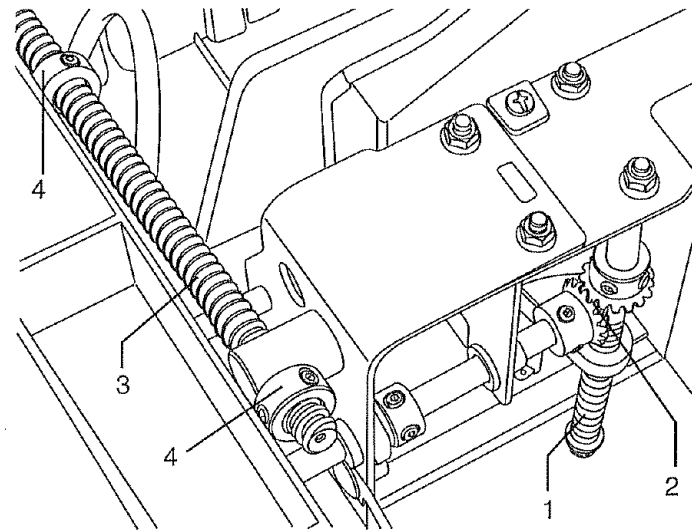
6. Avoid use of the following cleaning chemicals or solvents: gasoline, carbon tetrachloride, chlorinated solvents, ammonia and household detergents containing ammonia.

BLADE RAISING AND TILTING MECHANISM (FIG. FF)

After each five hours of operation, the blade raising mechanism and tilting mechanism should be checked for looseness, binding, or other abnormalities.

1. With the saw disconnected from the power source, turn the saw upside down and alternately pull upward and downward on the motor unit.
2. Observe any movement of the motor mounting mechanism. Looseness or play in the blade raising screw rod (1) should be limited to 4mm or less.
3. If excessive looseness is observed in any other part of the blade raising mechanism or tilting mechanism, take the complete unit to a Sears Service Center.

Fig. FF



LUBRICATION

All motor bearings are permanently lubricated at the factory and require no additional lubrication.

- On all mechanical parts of your table saw where a pivot or threaded rod are present, lubricate using graphite or silicone. These dry lubricants will not hold sawdust as would oil or grease.
- Place a small amount of lubricant such as grease on the beveled gears (2) of the blade raising mechanism.
- Do not grease or oil the threads of the screw rods (1, 3). For smooth operation, the height and tilt regulating screw rods must be kept clean and free of sawdust, gum, pitch, and other contaminants.
- Use a small amount of dry lubricant such as graphite or silicon on the adjusting collars (4).

TROUBLESHOOTING

TROUBLESHOOTING GUIDE

⚠ WARNING

To avoid injury from an accidental start, turn the switch OFF and always remove the plug from the power source before making any adjustments.

- Consult your local Sears Service Center if for any reason the motor will not run.

SYMPTOM	POSSIBLE CAUSES	CORRECTIVE ACTION
Saw will not start.	<ol style="list-style-type: none"> 1. Saw not plugged in. 2. Fuse blown or circuit breaker tripped. 3. Cord damaged. 	<ol style="list-style-type: none"> 1. Plug in saw. 2. Replace fuse or reset circuit breaker. 3. Have cord replaced by a Sears Service Center.
Does not make accurate 45° and 90° rip cuts.	<ol style="list-style-type: none"> 1. Positive stop not adjusted correctly. 2. Blade tilt pointer not set accurately. 	<ol style="list-style-type: none"> 1. Check blade with square and adjust positive stop. 2. Check blade with square and adjust pointer to zero.
Material pinches blade when ripping.	<ol style="list-style-type: none"> 1. Rip fence not aligned with blade. 2. Warped wood, edge against fence is not straight. 	<ol style="list-style-type: none"> 1. Check and adjust rip fence. 2. Select another piece of wood.
Material binds on splitter.	<ol style="list-style-type: none"> 1. Splitter not aligned correctly with blade. 	<ol style="list-style-type: none"> 1. Check and align splitter with blade.
Saw makes unsatisfactory cuts.	<ol style="list-style-type: none"> 1. Dull blade. 2. Blade mounted backwards. 3. Gum or pitch on blade. 4. Incorrect blade for work being done. 5. Gum or pitch on table causing erratic feed. 	<ol style="list-style-type: none"> 1. Replace blade. 2. Turn blade around. 3. Remove blade and clean with turpentine and coarse steel wool. 4. Change the blade. 5. Clean table with turpentine and steel wool.
Material kicked back from blade.	<ol style="list-style-type: none"> 1. Rip fence out of alignment. 2. Splitter not aligned with blade. 3. Feeding stock without rip fence. 4. Splitter not in place. 5. Dull blade. 6. The operator letting go of material before it is past saw blade. 7. Miter angle lock knob is not tight. 	<ol style="list-style-type: none"> 1. Align rip fence with miter gauge slot. 2. Align splitter with blade. 3. Install and use rip fence. 4. Install and use splitter (with guard). 5. Replace blade. 6. Push material all the way past saw blade before releasing work. 7. Tighten knob.
Blade does not raise or tilt freely.	<ol style="list-style-type: none"> 1. Sawdust and dirt in raising and tilting mechanisms. 	<ol style="list-style-type: none"> 1. Brush or blow out loose dust and dirt.
Blade does not come up to speed.	<ol style="list-style-type: none"> 1. Extension cord too light or too long. 2. Low house voltage. 	<ol style="list-style-type: none"> 1. Replace with adequate size cord. 2. Contact your electric company.
Machine vibrates excessively.	<ol style="list-style-type: none"> 1. Saw not mounted securely to workbench. 2. Bench on uneven floor. 3. Damaged saw blade. 	<ol style="list-style-type: none"> 1. Tighten all mounting hardware. 2. Reposition on flat level surface. Fasten to floor if necessary. 3. Replace blade.
Does not make accurate 45° and 90° cross cuts.	<ol style="list-style-type: none"> 1. Miter gauge out of adjustment. 	<ol style="list-style-type: none"> 1. Adjust miter gauge.

PARTS

CRAFTSMAN 10" TABLE SAW

MODEL NO. 137.228010

WARNING

When servicing use only CRAFTSMAN replacement parts. Use of any other parts may create a HAZARD or cause product damage. Any attempt to repair or replace electrical parts on this Table Saw may create a HAZARD unless repair is done by a qualified service technician. Repair service is available at your nearest Sears Service Center.

Always order by PART NUMBER, not by key number

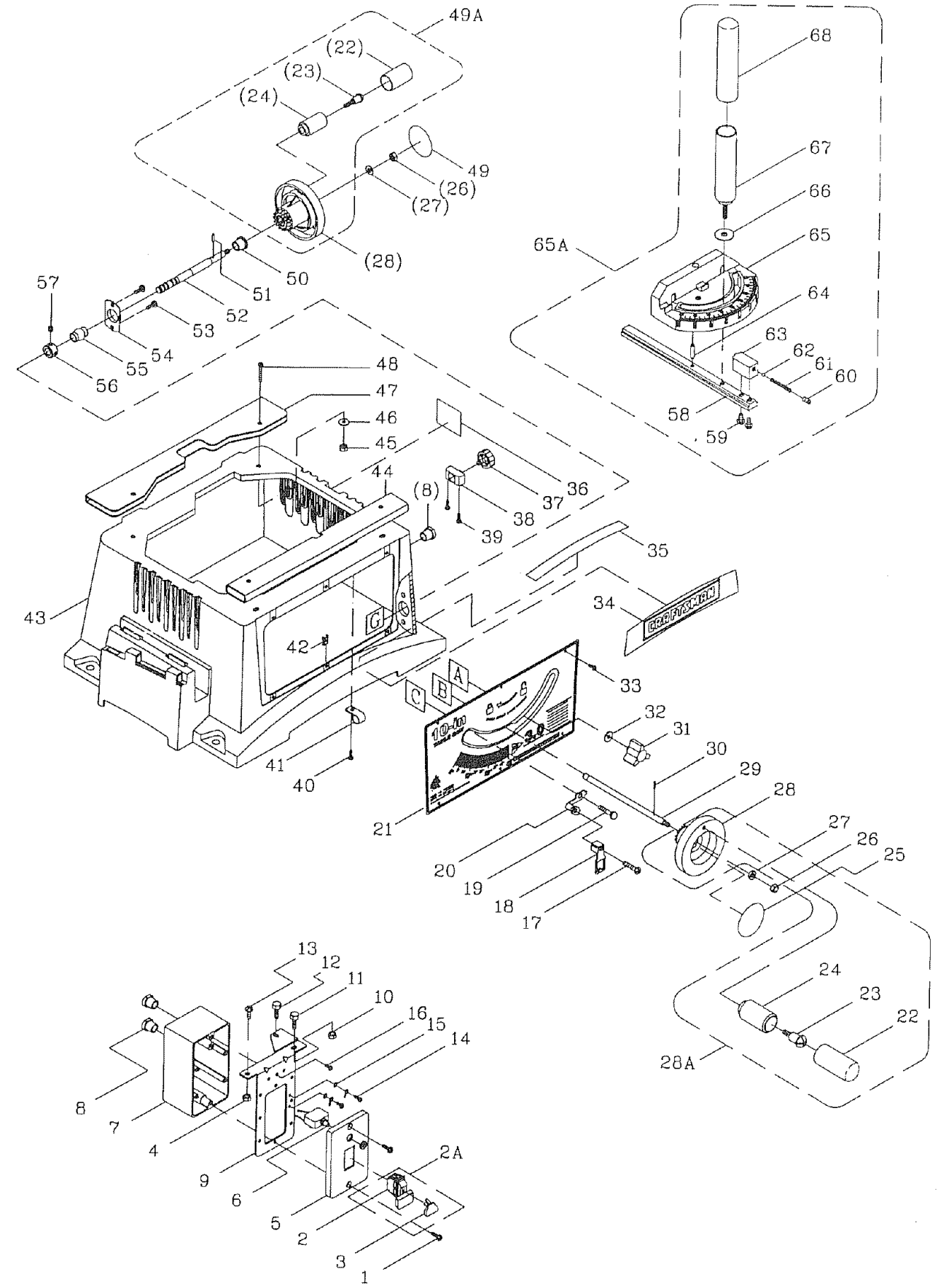
PARTS LIST FOR SCHEMATIC A

Key Part Number	Description	Size	Qty	Key Part Number	Description	Size	Qty
1	Cr. re. pan head tapping screw	M5x12-25	2	34	Name plate label		1
2A	Rocker switch		1	35	Warning label		1
2	2851D55G06		1	36	Sticker		1
3	28605BH101		1	37	Knob		1
4	2709FZDA02	M6x1.0	1	38	Location seat		1
5	13600503		1	39	Cr.re.pan head screw	M5x0.8-12	2
6	2853D55502		1	40	Cr.re. pan head tapping screw	M5x12-10	2
7	13600902		1	41	Cable clamp		2
8	2801DBHA04		3	42	U-type nut		6
9	13601101		1	43	Body shell		1
10	2709FZDA02	M6x1.0	1	44	Stiffener		1
11	2601BZDA40	M6x1.0-16	1	45	Hex nut & flat washer	M6x1.0	4
12	2601BZDA39	M6x1.0-12	1	46	Flat washer	1/4x3/4-1/16	4
13	2672BBDA38	M6x1.0-16	1	47	Stiffener		1
14	2634BZDA08	M4x0.7-10	2	48	Cap head square neck bolt	M6x1.0-35	4
15	2504MZC004		2	49	Label		1
16	2661MBDE17		2	50	Collar		1
17	2668BBDA28		1	51	Spring pin		1
18	13601901		1	52	Screw bar		1
19	2672BBDA54		1	53	Cr.re.pan head screw & washer	M6x1.0-16	1
20	14901502		1	54	Bearing seat		1
21	13602302		1	55	Shaft		1
22	14909001		2	56	Parrie ring		2
23	13607101		2	57	Hex socket set screw	M6x1.0-6	4
24	14900703		2	58	Sheet bar		1
25	13602801		2	59	Hex socket truss head screw	M5x0.8-12	2
26	2705FBD108		2	60	Hex socket set screw	M6x1.0-10	1
27	2501MBDN08	M8x1.25 T=8	2	61	Compression spring		1
28A	18602901A1	8x16-2.5	2	62	Steel ball		1
28	18602901		2	63	Angle pointer	L=20	1
29	13603202		1	64	Miter gauge		1
30	2536MBE604		1	65	Flat washer	1/4x3/4-1/16	1
31	15100801		1	66	Clamp handle		1
32	2501MZDN27		1	67	Grip		1
33	2661MBDE12		1	68			1

CRAFTSMAN 10" TABLE SAW

MODEL NO. 137.228010

SCHEMATIC A



PARTS

CRAFTSMAN 10" TABLE SAW

MODEL NO. 137.228010

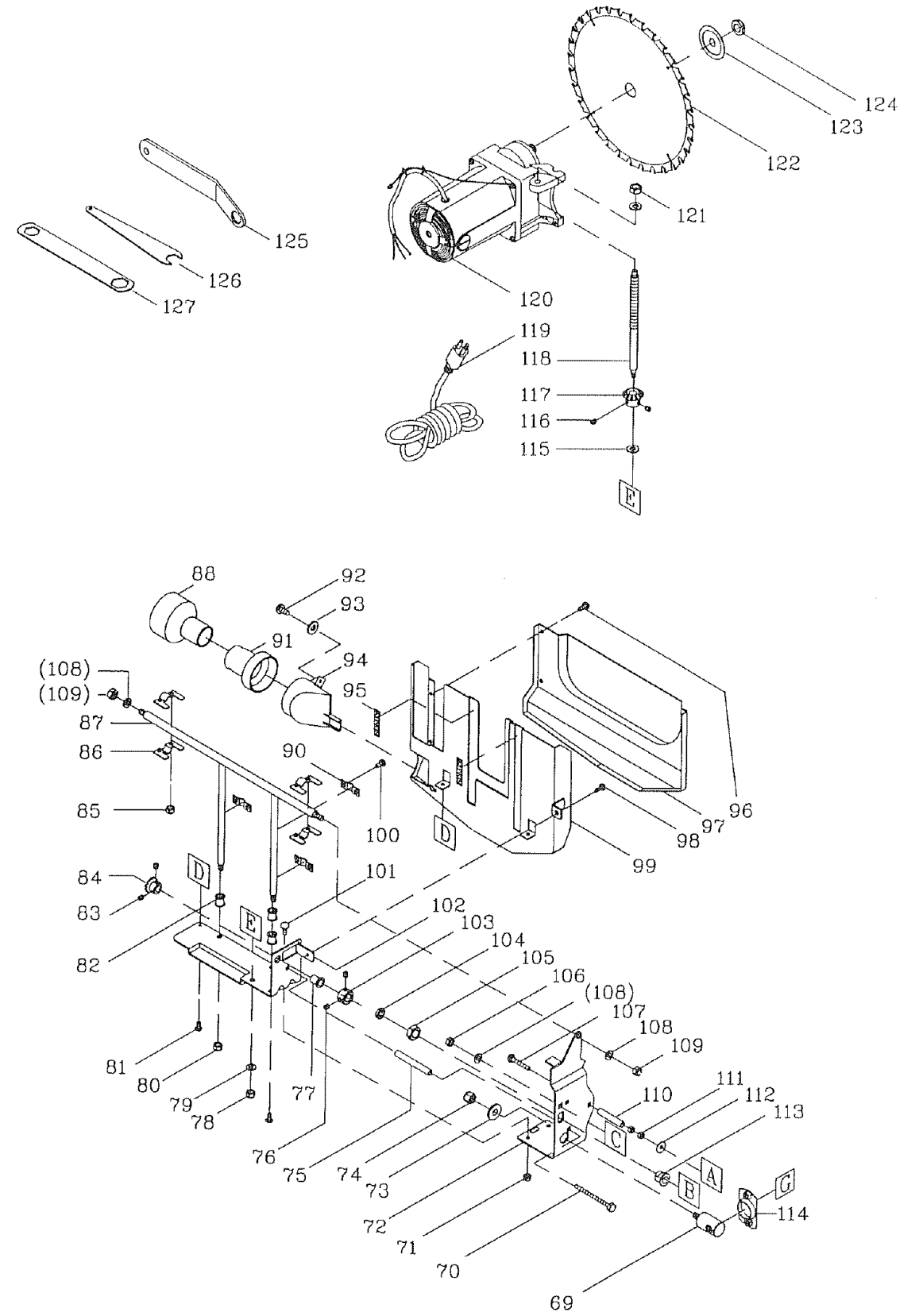
PARTS LIST FOR SCHEMATIC B

Key Part Number	Description	Size	Qty
69	Special nut		1
70	Hex head bolt	M6x1.0-70	1
71	Serrated toothed flange nut	M6x1.0 T=6	1
72	Bracket		1
73	Flat washer	M8x1.25 T=8	1
74	Nut chuck		1
75	Spacer		1
76	Hex socket set screw	M5x0.8-8	2
77	Bush		1
78	Nut chuck	M6x1.0 T=6	1
79	Flat washer	1/4x1/2-3/32	1
80	Serrated toothed hex flange nut	M6x1.0 T=6	2
81	Cr.re.round washer head screw	M5x0.8-8	2
82	Bush		3
83	Hex socket set screw	M6x1.0-6	2
84	Bevel gear		1
85	Serrated toothed flange nut	M6x1.0 T=6	4
86	Strap		4
87	Angle rod		1
88	2-1/2" Adapter		1
89	N/A		
90	Strap		3
91	Elbow		1
92	Cr.re.pan head tapping screw	10#x32-3/8"	1
93	Flat washer	10#x1/2-1/16	1
94	Dust collector chute		1
95	Sponge		2
96	Cr.re.pan head tapping screw	10#x32-3/8"	4
97	Front cover		1
98	Cr.re.round washer head screw	M5x0.8-8	1
99	Body		1
100	Cr.re.round washer head screw	M6x1.0-12	6
101	Cap head square neck bolt	M6x1.0-16	2
102	Angle rod bracket		1
103	Anchor block		1
104	Flat washer	3/8x3/4-5/64	1
105	Hex nut	9/16x18UNF T=8	1
106	Hex nut	M8x1.25 T=6.5	1
107	Cap head square neck bolt	M6x1.0-60	1
108	Flat washer	8x16-2.5	3
109	Nut chuck	M8x1.25 T=8	2
110	Spacer		1
111	Hex nut	M6x1.0 T=5	2
112	Flat washer	6x25-4	1
113	Arbor collar		1
114	Bearing seat		1
115	Flat washer	8x16-2.5	2
116	Hex socket set screw	M6x1.0-6	2
117	Bevel gear		1
118	Screw bar		1
119	Power cable		1
120	Motor		1
121	Nut chuck		1
122	Blade		1
123	Arbor collar		1
124	Set nut		1
125	Angle hex wrench		1
126	Blade wrench		1
127	Blade hex wrench		1

CRAFTSMAN 10" TABLE SAW

MODEL NO. 137.228010

SCHEMATIC B



PARTS

CRAFTSMAN 10" TABLE SAW

MODEL NO. 137.228010

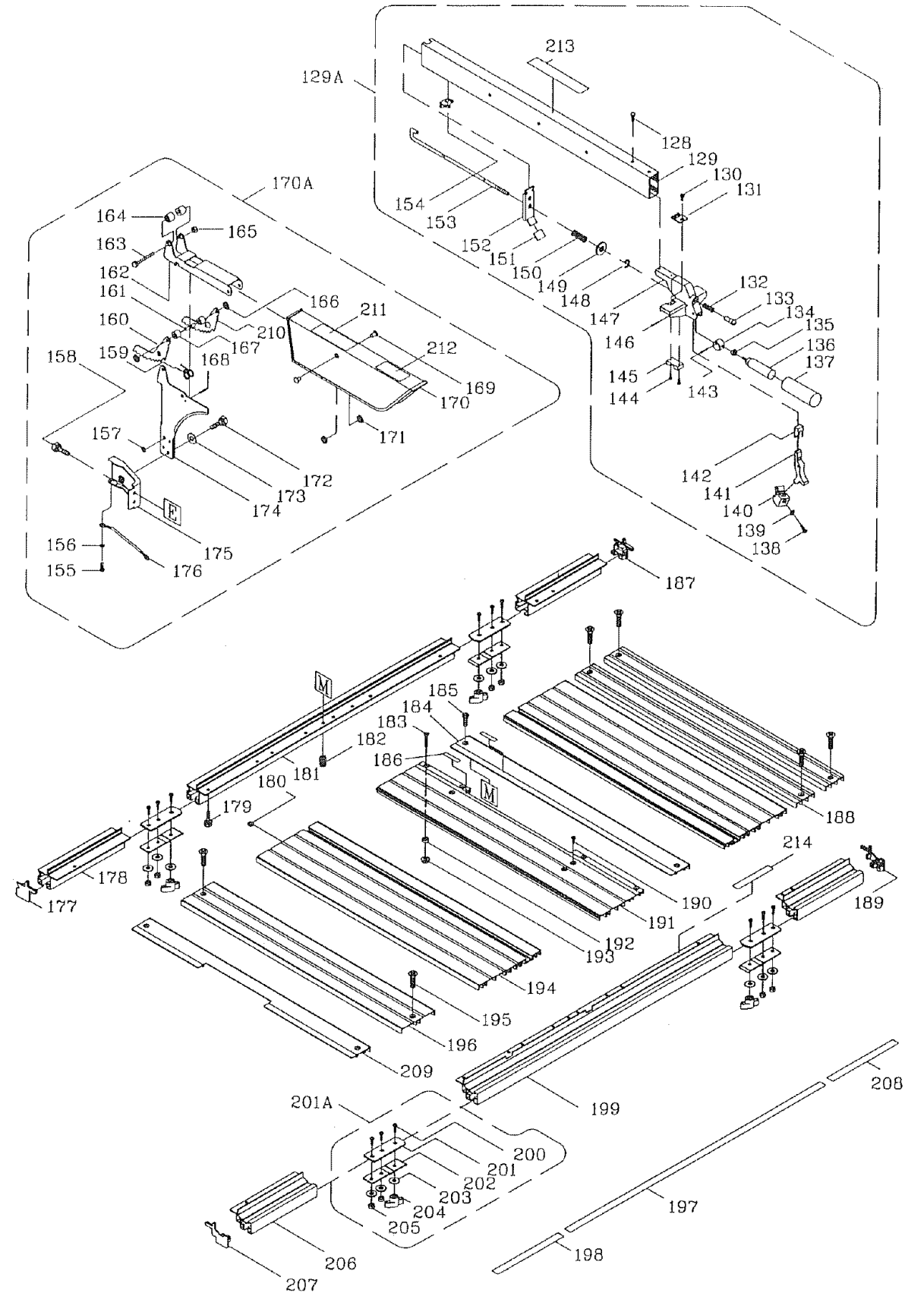
PARTS LIST FOR SCHEMATIC C

Key Part Number	Part Number	Description	Size	Qty
128	2615BZDD21	Hex head screw & washer	M6x1.0-16	2
129A	13616501A1	Parallel bracket assembly		1
129	13616501	Parallel bracket		1
130	2641BZDA22	Cr.re.round washer head screw	M5x0.8-6	1
131	13616301	Pointer		1
132	18611101	Compression spring		1
133	13620101	Cap screw		1
134	13620001	Eccentric		1
135	2701FBD113	Hex nut	M8x1.25 T=6.5	1
136	14211203	Bolt clamp		1
137	14916901	Grip		1
138	2668BDDA25	Cr.re.pan head screw	M5x0.8-16	1
139	2501MBDN05	Flat washer	5x10-1	1
140	13619201	Plastic sleeve		1
141	13619101	Link		1
142	14915302	Clamp		1
143	2536MBE607	Spring pin	4-22	1
144	2660PBCK11	Cr.re.pan head tapping screw	M4x18-12	4
145	13616101	Slider	6-30	2
146	2536MBE627	Spring pin		2
147	13616202	Width body		1
148	2570BBN206	E-ring	E-6	1
149	2501MBDN34	Flat washer	8.2x18-1.5	1
150	14922202	Compression spring		1
151	13617001	Spacer		1
152	13617101	Rear clamp		1
153	13617201	Locking rod		1
154	13617301	Slider		1
155	2668BZDA23	Cr.re.pan head screw	M5x0.8-8	2
156	2504MZC005	External tooth lock washer	5	2
157	2501MNB36	Flat washer	6x13-0.3	4
158	2615B8DC21	Hex head screw & washer	M6x1.0-16	2
159	14913401	Torsion spring		1
160	13620901	Kick back pawl		1
161	14913301	Roll pin		1
162	13620802	Arm		1
163	2601BZDA45	Hex head bolt	M6x1.0-40	1
164	18627601	Bush		2
165	2705FZD106	Nut chuck	M6x1.0 T=6	1
166	2570DBN606	Self-locking ring		2
167	14913201	Bush		1
168	2536MBE607	Spring pin	4-22	1
169	2690MZD418	Rivet	6-9	2
170A	14912206A1	Blade guard assembly		1
170	14912206	Blade guard		1
171	2570DBN606	Self-locking ring		1
172	13612001A1	Clamp assembly		1
173	13612001	Clamp		4
174	13611901	Clamp		4
175	2501NZN16	Flat washer	1/4x3/4-1/16	12
176	13611702	Clamp handle		4
177	2709FZDA02	Hex nut & flat washer	M6x1.0	8
178	13611503	Extension rail		2
179	13611302	Side cover		1
180	13608704	Scale		1
181	13615506	Scale		1
182	13624301	Dodo insert		1
183	14994501	Kick back pawl		1
184	14994103	Warning label		1
185	14915401	Caution label		1
186	13624401	Caution label		1
187	13727220001	Warning label		1
188	13727220001	Owner's manual		1
189	*	Not shown		1
190	*	Not shown		1
191	13613803	Table		1
192	14325601	Collar		2
193	2709FZDA02	Hex nut & flat washer	M6x1.0	2
194	13613502	Table		2
195	2636BZDA40	Cr.re.count head screw	M6x1.0-16	6
196	13613402	Extension wing		1
197	13608604	Scale		1
198	13608504	Scale		1
199	13612203	Rail		1
200	2672BZDA43	Cap head square neck bolt	M6x1.0-30	12
201A	13612001A1	Clamp assembly		4
201	13612001	Clamp		4
202	13611901	Clamp		4
203	2501NZN16	Flat washer	1/4x3/4-1/16	12
204	13611702	Clamp handle		4
205	2709FZDA02	Hex nut & flat washer	M6x1.0	8
206	13611503	Extension rail		2
207	13611302	Side cover		1
208	13608704	Scale		1
209	13615506	Scale		1
210	13624301	Dodo insert		1
211	14994501	Kick back pawl		1
212	14994103	Warning label		1
213	14915401	Caution label		1
214	13624401	Caution label		1
*	13727220001	Warning label		1
*	13727220001	Owner's manual		1

CRAFTSMAN 10" TABLE SAW

MODEL NO. 137.228010

SCHEMATIC C



PARTS

MOTOR

MODEL NO. 137.228010

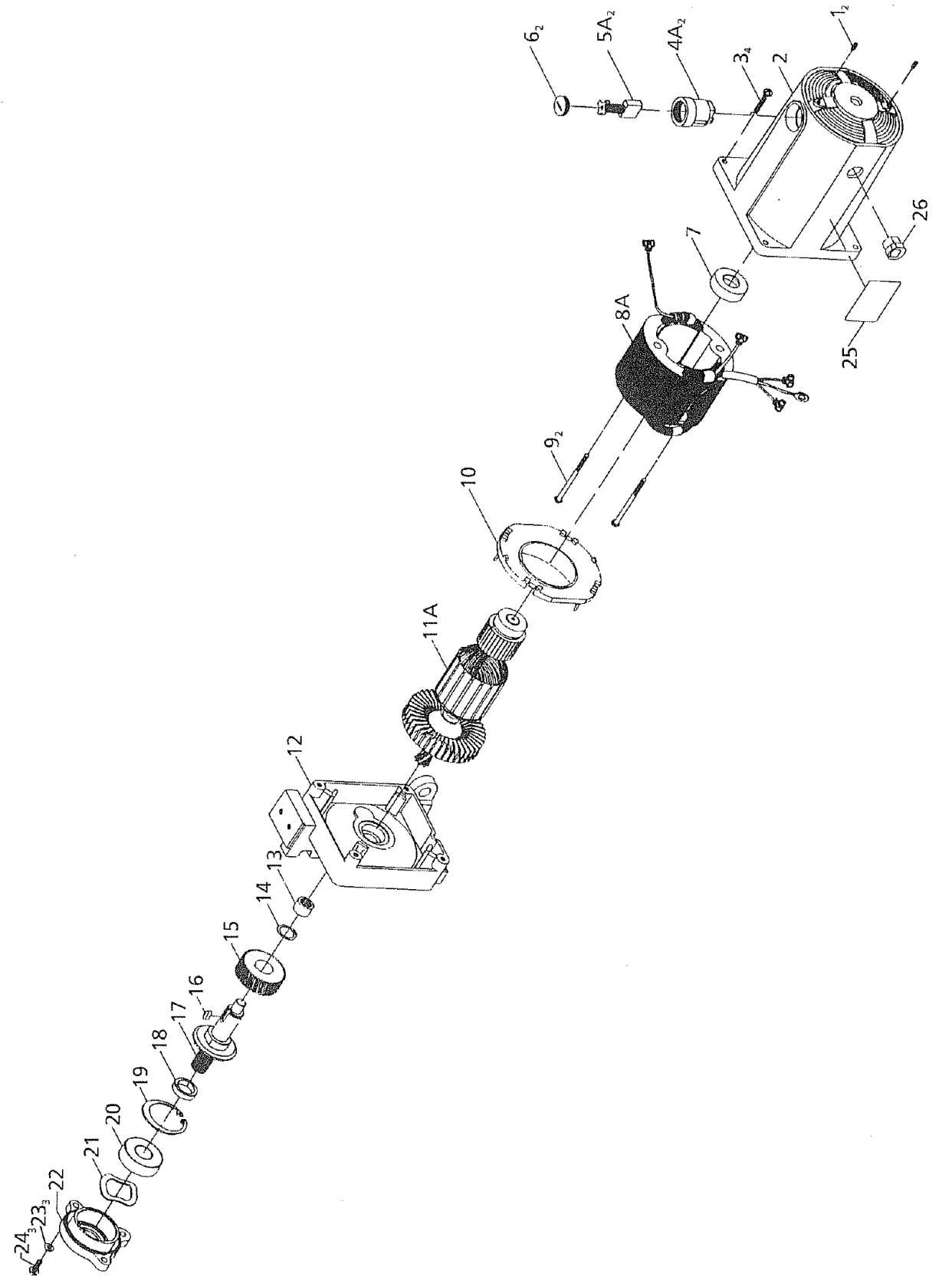
PARTS LIST FOR SCHEMATIC D

Key	Part Number	Description	Size	Qty
1	2603BBLA23	Hex socket set screw	M5x0.8-8	2
2	87840021	Motor housing		1
3	2620BBDB26	Cr.re. pan head screw & washer	M5x0.8-30	4
4A	83962491A1	Brush holder assembly		2
5A	83990291A1	Brush assembly		2
6	83990301	Brush cover		2
7	87840081	Bearing bushing		1
8	83887081A1	Field assembly		1
9	2668MZDE60	Cr.re.pan head tapping screw & washer	M5x12-60	2
10	87840131	Baffle		1
11	83887111A1	Armature assembly		1
12	83887121	Bracket		1
13	2001AH1010	Needle bearing	HK1010	1
14	2570BBN117	C-ring	A-17	1
15	83887151	Helix gear		1
16	2571MNC305	Parallel key		1
17	83887171A1	Arbor shaft		1
18	83887181	Collar		1
19	2570ABN140	C-ring	B-40	1
20	2001ZZ6203	Ball bearing	6203ZZ	1
21	2506MBN663	Wave washer	BWVW6203	1
22	83770021	Bearing retainer		1
23	2502ABC408	Spring washer	5	3
24	2668BBD424	Cr.re.pan head screw	M5x0.8-12	3
25	83887251	Motor nameplate		1
26	2801UBHA07	Strain relief bushing		1

MOTOR

MODEL NO. 137.228010

SCHEMATIC D



PARTS

CRAFTSMAN 10" TABLE SAW LEG STAND

MODEL NO. 137.228010

PARTS LIST FOR SCHEMATIC E

Key	Part Number	Description	Size	Quantity
1	17050106	Bracket (leg)		4
2	2672BBDA54	Cap head square neck bolt	M8x1.25-16	16
3	17050408	Bottom support bracket (long)	L=616	2
4	2601BBDA69	Hex head bolt	M10x1.5-20	4
5	14000304	Spacer (Foot pads)		4
6	2501MBDN11	Flat washer	10x20-2	4
7	2701FBD109	Hex nut	M10x1.5 T=8	4
8	2708FBD112	Serrated toothed hex flanged nut	M8x1.25 T=7.5	20
9	17050308	Upper support (short)	L=491	2
10	2601BBDA57	Hex head bolt	M8x1.5-30	4
11	2501MBDN08	Flat washer	8x16-2.5	4
12	17050210	Upper support (long)	L=554	2
13	17050506	Bottom support bracket (short)	L=553	2

LEG STAND

MODEL NO. 137.228010

SCHEMATIC E

