

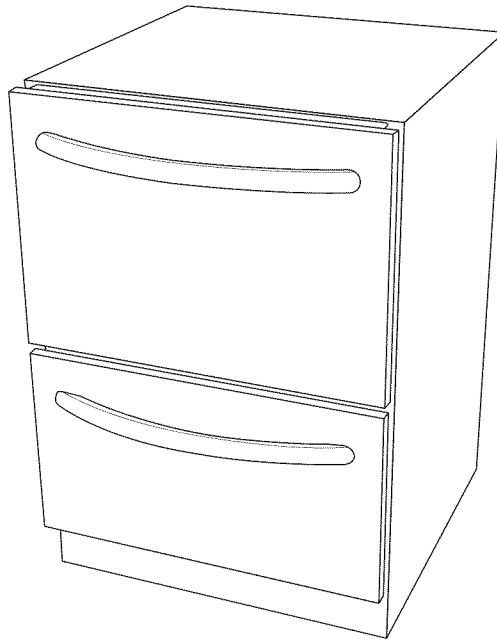
KitchenAid®

INSTALLATION INSTRUCTIONS DRAWER DISHWASHER

INSTRUCCIONES DE INSTALACIÓN DE LA LAVAVAJILLAS DE CAJÓN

INSTRUCTIONS D'INSTALLATION LAVE-VAISSELLE À DOUBLE TIROIR

Table of Contents/Índice/Table des matières..... 2



IMPORTANT:

Save for local electrical inspector's use.

Installer: Leave installation instructions with the homeowner.

Homeowner: Keep installation instructions for future reference.

IMPORTANTE:

Guarde para tenerlas a disposición del inspector de electricidad local.

Instalador: Deje las instrucciones de instalación con el propietario.

Propietario: Conserve las instrucciones de instalación para referencia futura.

IMPORTANT :

Conserver pour consultation par l'inspecteur local des installations électriques.

Installateur : Remettre les instructions d'installation au propriétaire.

Propriétaire : Conserver les instructions d'installation pour référence ultérieure.

W10216167A

TABLE OF CONTENTS

DISHWASHER SAFETY	3	Connect Water Supply Line and Drain Hoses	10
INSTALLATION REQUIREMENTS	4	Make Electrical Connection.....	12
Electrical Requirements	6	Install Trim Pieces and Level Dishwasher.....	13
Drain Requirements	6	Secure the Dish Drawers.....	14
INSTALLATION INSTRUCTIONS	7	Complete Installation.....	15
Unpack Dish Drawer.....	7	CUSTOM PANEL INSTALLATION INSTRUCTIONS	16
Prepare Cabinet Opening.....	7	Preparing Custom Panels.....	16
PREPARE DISHWASHER	8	Install Panel Fasteners.....	17
Route Electrical Wiring.....	9	Mount the Custom Panel.....	17
Route Water Supply Line and Drain Hose.....	9		

ÍNDICE

SEGURIDAD DE LA LAVAVAJILLAS	18	Conecte la línea de suministro de agua y las mangueras de desagüe.....	26
REQUISITOS DE INSTALACIÓN	19	Conexión del suministro eléctrico.....	27
Requisitos del suministro de agua.....	20	Instale las piezas del marco y nivele la lavavajillas.....	28
Requisitos eléctricos.....	21	Cómo asegurar los cajones de lavado.....	30
Requisitos de desagüe.....	22	Complete la instalación.....	31
INSTRUCCIONES DE INSTALACIÓN	22	INSTRUCCIONES DE INSTALACIÓN DE LOS PANELES A LA MEDIDA	32
Desempaque el cajón para platos.....	22	Paneles de los cajones a la medida.....	32
Prepare la abertura del armario.....	22	Preparación de los paneles a la medida.....	32
PREPARE LA LAVAVAJILLAS	23	Cómo instalar los sujetadores del panel.....	33
Dirija el cableado eléctrico.....	24	Cómo montar el panel a la medida.....	33
Dirija la línea de suministro de agua y la manguera de desagüe.....	25		

TABLE DES MATÈRES

SÉCURITÉ DU LAVE-VAISSELLE	34	Raccordement du conduit d'alimentation en eau et des tuyaux de vidange.....	42
EXIGENCES D'INSTALLATION	35	Raccordement électrique.....	43
Exigences d'emplacement.....	36	Installation des garnitures et réglage de l'aplomb du lave-vaisselle.....	44
Spécifications de l'alimentation en eau.....	36	Fixation des tiroirs à lave-vaisselle.....	46
Spécifications électriques.....	37	Achever l'installation.....	47
Spécifications de la vidange.....	37	INSTRUCTIONS D'INSTALLATION DU PANNEAU PERSONNALISÉS	47
INSTRUCTIONS D'INSTALLATION	38	Préparation des panneaux personnalisés.....	48
Déballer le tiroir à vaisselle.....	38	Installation des dispositifs de fixation de panneau.....	48
Aménagement de la cavité d'encastrement du placard.....	38	Montage du panneau personnalisé.....	48
PRÉPARATION DU LAVE-VAISSELLE	39		
Acheminement du câblage électrique.....	40		
Acheminement du conduit d'alimentation en eau et du tuyau de vidange.....	41		

DISHWASHER SAFETY

Your safety and the safety of others are very important.

We have provided many important safety messages in this manual and on your appliance. Always read and obey all safety messages.



This is the safety alert symbol.

This symbol alerts you to potential hazards that can kill or hurt you and others.

All safety messages will follow the safety alert symbol and either the word "DANGER" or "WARNING." These words mean:

⚠ DANGER

You can be killed or seriously injured if you don't immediately follow instructions.

⚠ WARNING

You can be killed or seriously injured if you don't follow instructions.

All safety messages will tell you what the potential hazard is, tell you how to reduce the chance of injury, and tell you what can happen if the instructions are not followed.

IMPORTANT SAFETY INSTRUCTIONS

WARNING: When using the dishwasher, follow basic precautions, including the following:

- Read all instructions before using the dishwasher.
- Use the dishwasher only for its intended function.
- Use only detergents or rinse agents recommended for use in a dishwasher, and keep them out of the reach of children.
- When loading items to be washed:
 - 1) Locate sharp items so that they are not likely to damage the door seal; and
 - 2) Load sharp knives with the handles up to reduce the risk of cut-type injuries.
- Do not wash plastic items unless they are marked "dishwasher safe" or the equivalent. For plastic items not so marked, check the manufacturer's recommendations.
- Do not touch the heating element during or immediately after use.
- Do not operate the dishwasher unless all enclosure panels are properly in place.
- Do not tamper with controls.
- Do not abuse, sit on, or stand on the door, lid, or dish racks of the dishwasher.
- To reduce the risk of injury, do not allow children to play in or on the dishwasher.
- Under certain conditions, hydrogen gas may be produced in a hot water system that has not been used for two weeks or more. **HYDROGEN GAS IS EXPLOSIVE.** If the hot water system has not been used for such a period, before using the dishwasher turn on all hot water faucets and let the water flow from each for several minutes. This will release any accumulated hydrogen gas. As the gas is flammable, do not smoke or use an open flame during this time.
- Remove the door or lid to the washing compartment when removing an old dishwasher from service or discarding it.

SAVE THESE INSTRUCTIONS



⚠ WARNING

Tip Over Hazard

**Do not open dishwasher drawer until inside cabinet opening.
Doing so can result in death or serious injury.**

You need to:

- Slowly open dishwasher drawer while someone grasps the rear of the dishwasher. Remove shipping materials. Close dishwasher drawer. Latch the dishwasher drawer shut.
- Observe all governing codes and ordinances.
- Install this dishwasher as specified in these instructions.
- Have everything you need to properly install dishwasher.
- Contact a qualified installer to ensure that dishwasher is installed to meet all electrical and plumbing national and local codes and ordinances.

INSTALLATION REQUIREMENTS

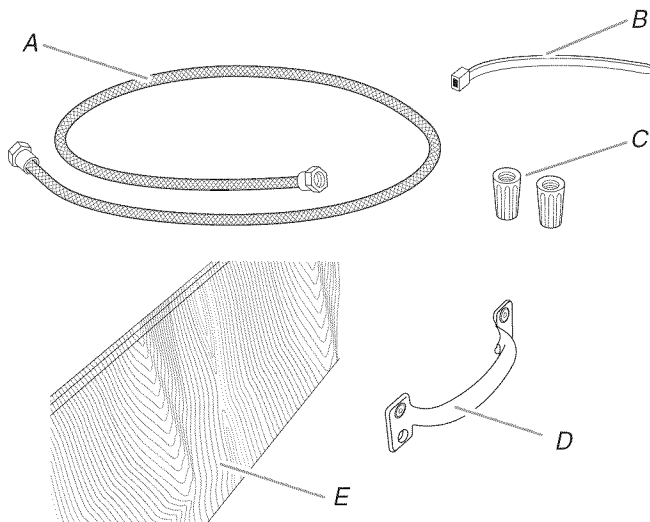
Tools and Parts

Gather the required tools and parts before starting installation. Read and follow the instructions provided with any tools listed here.

Tools needed

- Pliers
- Phillips screwdriver
- Flat-blade screwdriver
- 3/16" and 1/4" nut drivers or hex sockets
- Measuring tape or ruler
- 1 1/2" hole saw bit
- 10" adjustable wrench
- Utility knife
- Level
- Electric drill
- 1/8" drill bit
- Security T-20 TORX^{®†} driver (if installing custom front panels)

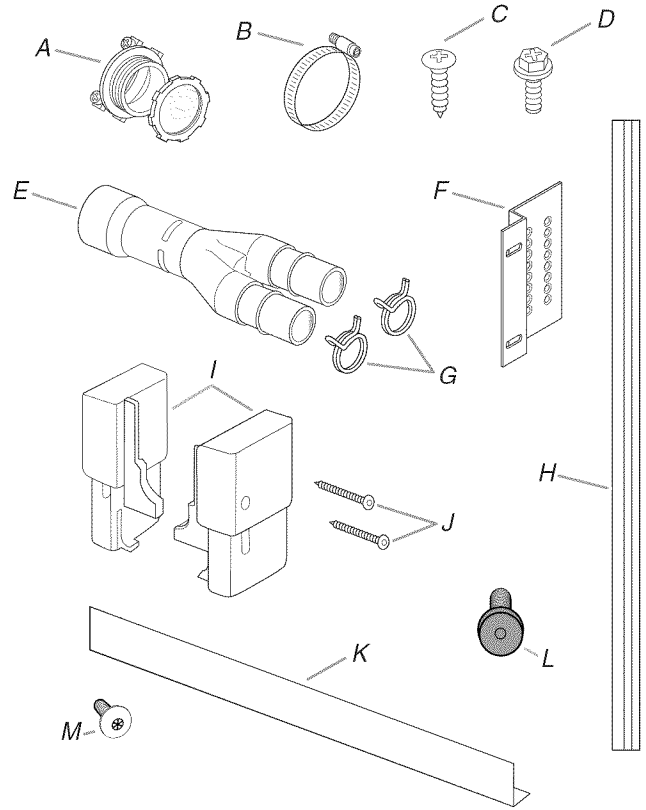
Parts needed



- A. 72" (182.9 cm) flexible water supply line
- B. Zip tie
- C. Appropriate sized UL listed wire connectors (2)
- D. Handle (if installing custom front panels)
- E. Custom panel (if installing custom front panels)

Parts Supplied

Check that all parts are included.



- A. 3/4" UL listed strain relief
- B. 1.25" hose clamp
- C. Mounting bracket screws (8)
- D. Unit mounting screws (4)
- E. Y drain connector
- F. Mounting brackets (4)
- G. Drain connector spring clamps (2)
- H. Trim strips (2)
- I. Toe kick brackets (2)
- J. Toe kick bracket screws (2)
- K. Toe kick trim
- L. Panel fasteners (on some models [2])
- M. TORX^{®†} screws (on some models [10])

†TORX is a registered trademark of Acument Intellectual Properties, LLC

Location Requirements

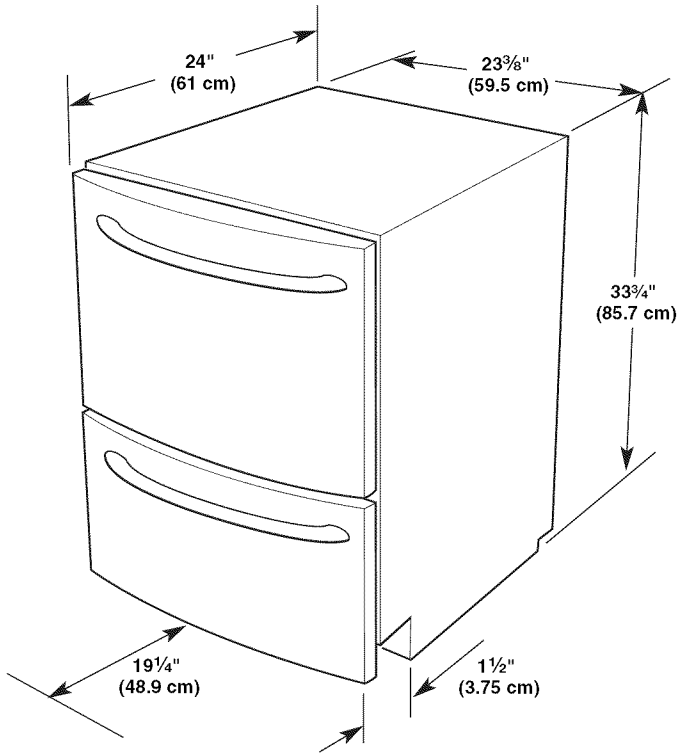
IMPORTANT: Observe all governing codes and ordinances. Failure to meet codes and ordinances could lead to fire or electrical shock.

Proper installation is your responsibility.

- Contact a qualified installer to ensure that the dishwasher is installed to meet all electrical and plumbing national and local codes and ordinances.
- Install the dishwasher as specified in these instructions.

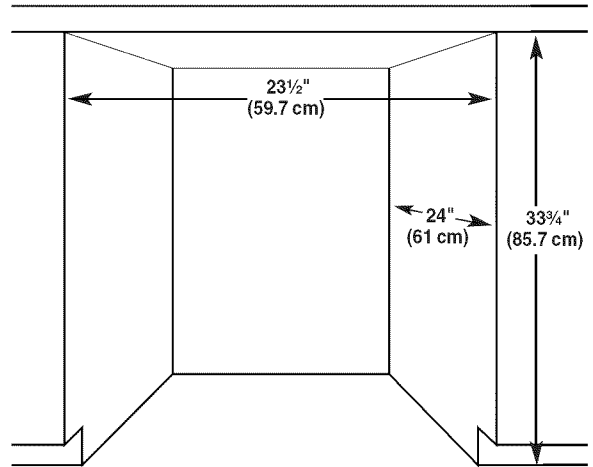
- Have everything you need to properly install dishwasher.
- Keep the dishwasher and water lines leading to dishwasher from freezing. Damage from freezing is not covered by the warranty.
- This dishwasher is manufactured for indoor use only.
- Install and level dishwasher on a floor that will hold the weight, and in an area suitable for its size and use.

Product Dimensions

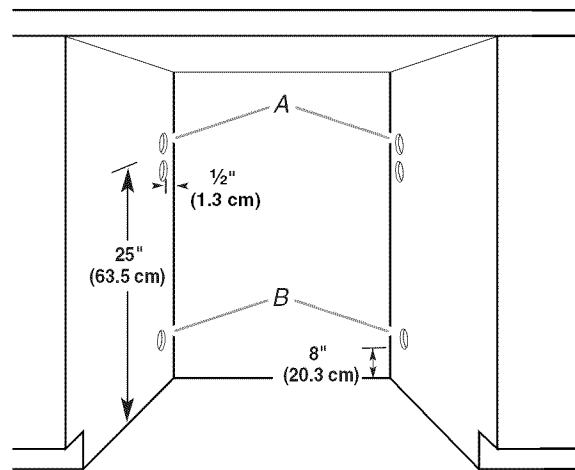


Installation Clearances

Cutout dimensions



Preferred utility area



- A. Choose left-hand or right-hand drain and water connection route.
B. Choose left-hand or right-hand electric connection route.

NOTE: All holes should be drilled at 1¹/₂" (3.8 cm) diameter.

Water Supply Requirements

- A hot water line with 20-120 psi (138-862 kPa) water pressure.
- 120°F (49°C) water temperature at dishwasher.
- Flexible stainless steel braided fill line (1/2" minimum plastic tubing is not recommended).

Electrical Requirements

⚠ WARNING



Electrical Shock Hazard

Plug into a grounded 3 prong outlet.

Do not remove ground prong.

Do not use an adapter.

Do not use an extension cord.

Failure to follow these instructions can result in death, fire, or electrical shock.

GROUNDING INSTRUCTIONS

■ For a grounded, cord-connected dishwasher:

The dishwasher must be grounded. In the event of a malfunction or breakdown, grounding will reduce the risk of electric shock by providing a path of least resistance for electric current. The dishwasher is equipped with a cord having an equipment-grounding conductor and a grounding plug. The plug must be plugged into an appropriate outlet that is installed and grounded in accordance with all local codes and ordinances.

WARNING: Improper connection of the equipment-grounding conductor can result in a risk of electric shock. Check with a qualified electrician or service representative if you are in doubt whether the dishwasher is properly grounded. Do not modify the plug provided with the dishwasher; if it will not fit the outlet, have a proper outlet installed by a qualified electrician.

■ For a permanently connected dishwasher:

The dishwasher must be connected to a grounded metal, permanent wiring system, or an equipment-grounding conductor must be run with the circuit conductors and connected to the equipment-grounding terminal or lead on the dishwasher.

SAVE THESE INSTRUCTIONS

Contact a qualified electrician.

Ensure that the electrical installation is adequate and in conformance with all national and local codes and ordinances.

You must have:

- 120-volt, 60 Hz, AC-only, 15 or 20 amp fused electrical supply.
- Copper wire only.

We recommend:

- A time-delay fuse or circuit breaker.
- A separate circuit.

If direct wiring dishwasher:

- Use flexible, armored or nonmetallic sheathed, copper wire with grounding wire that meets the wiring requirements for your home and local codes and ordinances.
- Use strain relief method provided with house wiring junction box or install a UL-listed/CSA-certified clamp connector to the house wiring junction box. If using conduit, use a UL-listed/CSA-certified conduit connector.

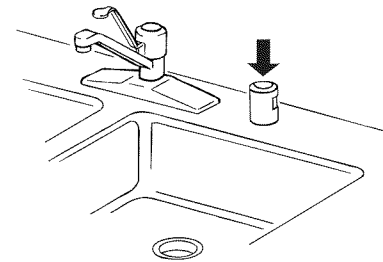
If connecting dishwasher with a power supply cord:

- Use Power Supply Cord Kit (Part Number 4317824) marked for use with dishwashers. Kit contents include:
 - Voltex, Inc., UL listed 16 gauge 3 wire power supply cord with 3 prong grounded plug.
 - Neer C-500 7/8" strain relief.
 - 3 wire connectors.
 - Part No. 302797 grommet.Follow the kit instructions for installing the power supply cord.
- Power supply cord must plug into a mating three prong, grounded outlet, located in the cabinet next to the dishwasher opening. Outlet must meet all local codes and ordinances.

IMPORTANT: If you plan to install a garbage disposer, an additional separate 120-volt, 60 Hz, AC-only, 15 or 20 amp fused electrical supply is required.

Drain Requirements

- Use the new drain hose supplied with your dishwasher. If this is not long enough, use a new drain hose with maximum length of 12 ft (3.7 m) that meets all current AHAM/IAPMO test standards, is resistant to heat and detergent, and fits the 1" (2.5 cm) drain connector of the dishwasher.
- Connect drain hose to waste tee or disposer inlet above drain trap in house plumbing and 20" (50.8 cm) minimum above the floor. It is recommended that the drain hose either be looped up and securely fastened to the underside of the counter, or be connected to an air gap.



- Use a drain air gap if the drain hose is connected to house plumbing lower than 20" (50.8 cm) above the subfloor or floor.
- Use 1/2" (1.3 cm) minimum I.D. drain line fittings.

INSTALLATION INSTRUCTIONS

⚠ WARNING



Electrical Shock Hazard

Disconnect electrical power at the fuse box or circuit breaker box before installing dishwasher.

Failure to do so can result in death or electrical shock.

1. Disconnect power.
2. Turn off water supply.

Unpack Dish Drawer

⚠ WARNING

Excessive Weight Hazard

Use two or more people to move and install dishwasher.

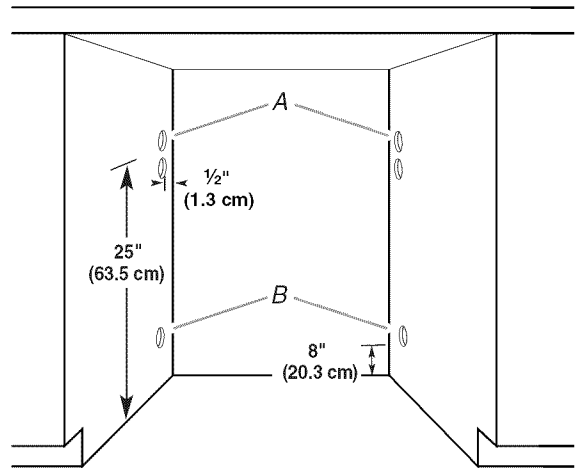
Failure to do so can result in back or other injury.

1. Read valuable information on exterior of shipping box before opening.
2. Remove shipping materials, tape and film from the dishwasher. Remove parts package from inside the dishwasher.

Prepare Cabinet Opening

1. To ensure minimum clearance dimensions exist:
 - Measure the distance from the cabinet countertop to the floor and ensure 33 $\frac{3}{4}$ " (85.7 cm) minimum height.
 - Measure the distance from the front of the cabinet to the back wall and ensure 24" (61 cm) minimum depth.
 - Measure the distance from the left-hand side to the right-hand side of opening and ensure 23 $\frac{1}{2}$ " (59.7 cm) minimum width.

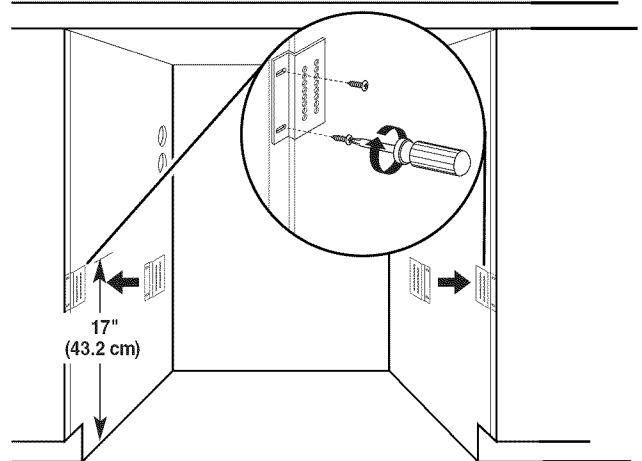
2. Drill 1 $\frac{1}{2}$ " (3.8 cm) diameter holes for drain and water hoses and electrical wiring as shown. Holes should be placed 1 $\frac{1}{2}$ " (1.3 cm) from back wall.



A. Choose left-hand or right-hand drain and water hose route.

B. Choose left-hand or right-hand electric wire route.

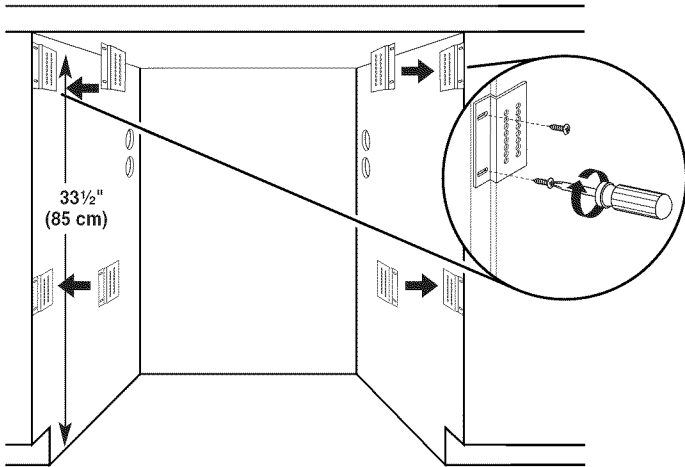
3. Install mounting brackets 17" (43.2 cm) from floor using screws provided. If needed, drill 1/8" pilot holes in cabinet.



4. Decide which dishwasher-to-counter attachment method will be used.

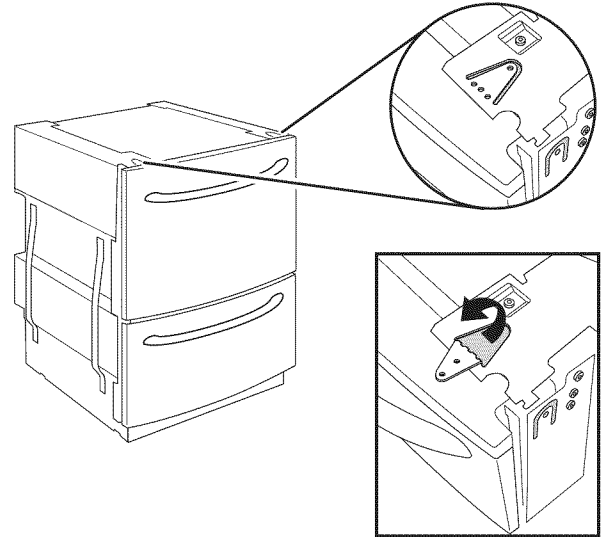
Option 1: Solid surface countertop installation

- Install second set of mounting brackets 33½" (85 cm) from floor. If needed, drill ⅛" pilot holes in cabinet.



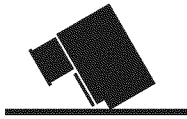
Option 2: Wood countertop installation

- Prepare dishwasher by folding over tabs located on the top front as shown.



PREPARE DISHWASHER

⚠ WARNING



Tip Over Hazard

Do not open dishwasher drawer until inside cabinet opening.

Doing so can result in death or serious injury.

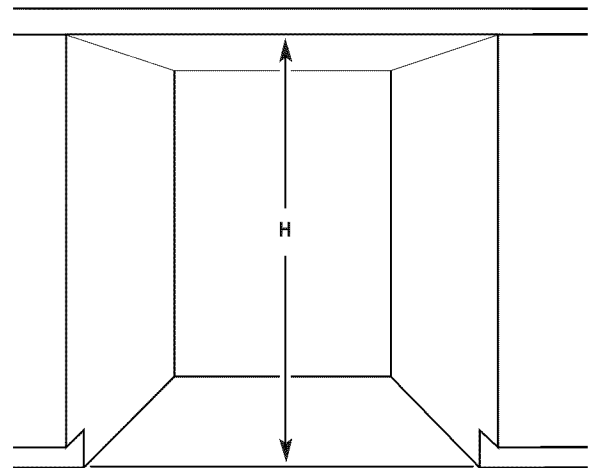
⚠ WARNING

Excessive Weight Hazard

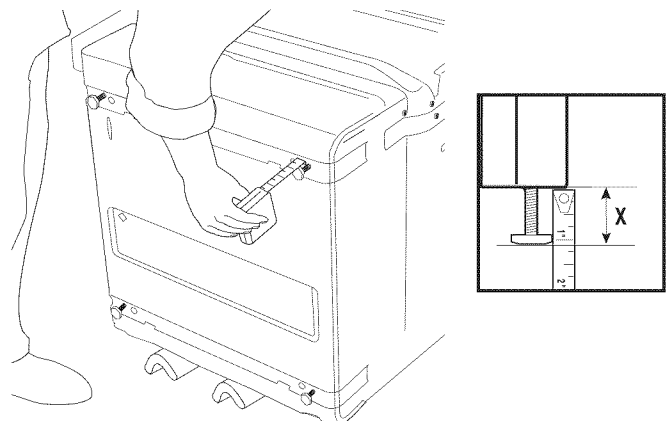
Use two or more people to move and install dishwasher.

Failure to do so can result in back or other injury.

1. Measure cabinet opening height from floor to bottom of countertop.



2. Place corner packaging on the floor and place dishwasher on its back.
3. Adjust leveling legs based on the cabinet opening measurement and the chart below.



H	: X	H	: X
33 3/4" (85.7 cm)	: 0"	34 1/2" (87.6 cm)	: 5/8" (1.6 cm)
34" (86.3 cm)	: 1/8" (0.3 cm)	34 5/8" (87.9 cm)	: 3/4" (1.9 cm)
34 1/8" (86.7 cm)	: 1/4" (0.6 cm)	34 3/4" (88.3 cm)	: 7/8" (2.2 cm)
34 1/4" (87 cm)	: 3/8" (1 cm)	34 7/8" (88.6 cm)	: 1" (2.5 cm)
34 3/8" (87.3 cm)	: 1/2" (1.3 cm)	35" (88.9 cm)	: 1 1/8" (2.9 cm)

4. Place dishwasher in upright position.

Route Electrical Wiring

⚠ WARNING



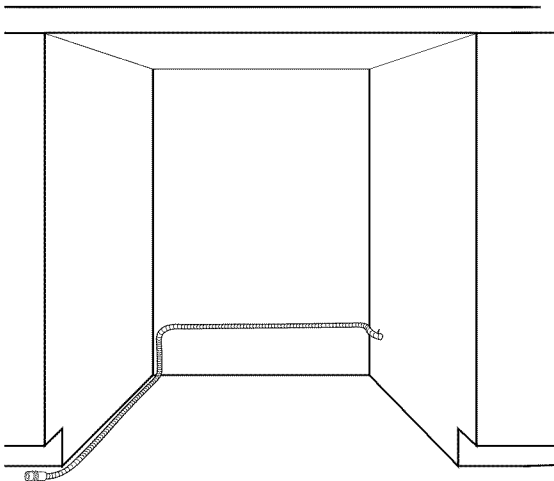
Electrical Shock Hazard

Disconnect electrical power at the fuse box or circuit breaker box before installing dishwasher.

Failure to do so can result in death or electrical shock.

Follow all national and local codes and ordinances for completing electrical supply to cabinet.

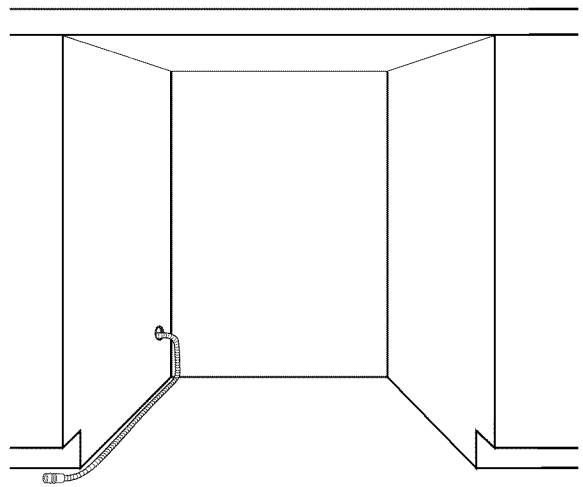
Option 1: Right-hand side utility route



Route wire through 1 1/2" (3.81 cm) hole located 8" (20.32 cm) above the floor.

After routing the electrical wire through the right-hand hole, attach the wire to back left-hand side of cabinet wall 8" (20.32 cm) above the floor. Then continue routing the wire along the left-hand side of cabinet opening to the front of the opening.

Option 2: Left-hand side utility route

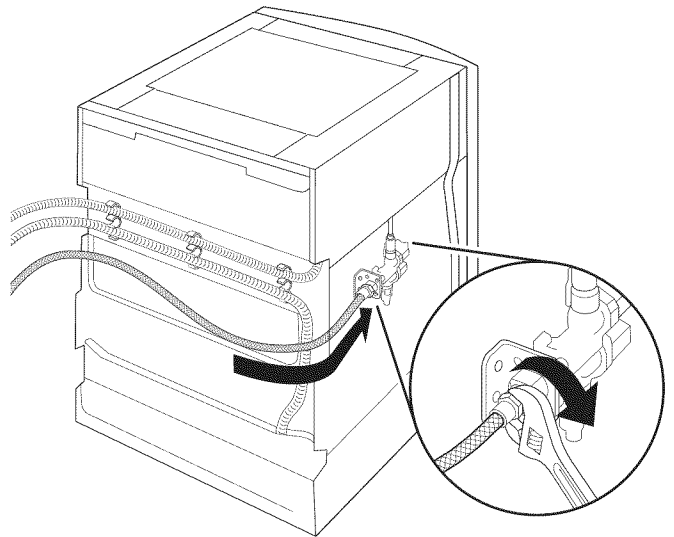


Route wire through 1 1/2" (3.81 cm) hole located 8" (20.32 cm) above the floor.

After routing the electrical wire through the left-hand hole, continue routing the wire along the left-hand side of cabinet to the front of the opening.

Route Water Supply Line and Drain Hose

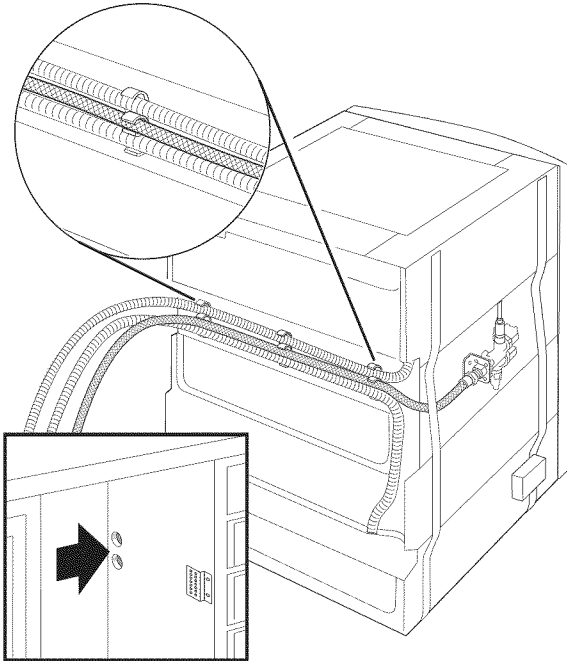
1. Connect water supply line to water valve on dishwasher.



2. Route water supply line and drain hoses based on your cabinet requirements.

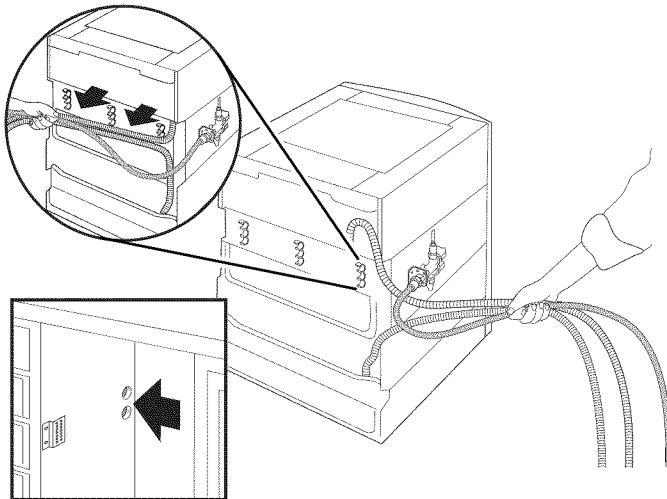
Option 1: Right-hand side utility access

- For right-hand routing, drain hoses are shipped in the correct position. Place the water supply line in the clip as shown.

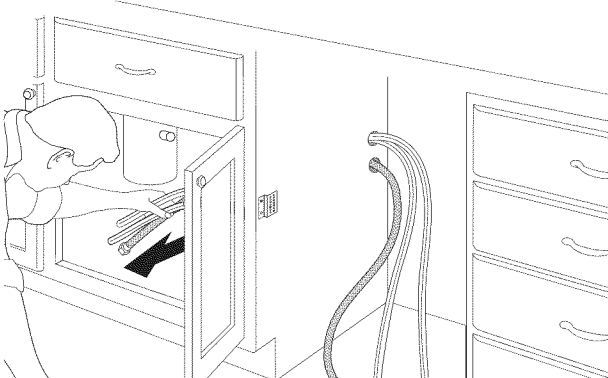


Option 2: Left-hand side utility access

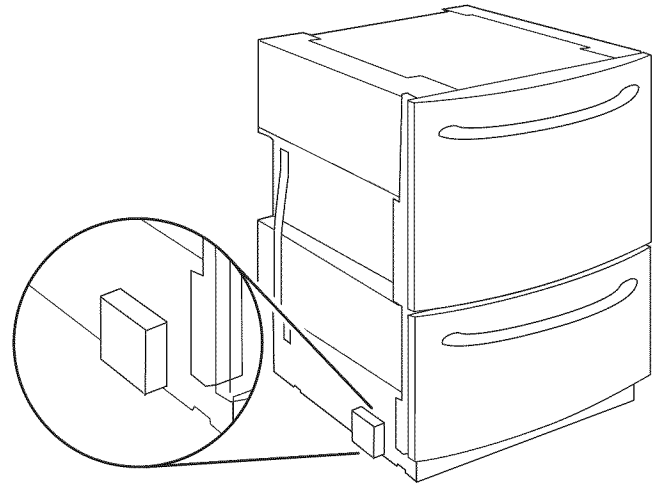
- For left-hand routing, remove drain hoses from the clips in the rear bracket as shown.



- Route water supply line and drain hoses into the cabinet.

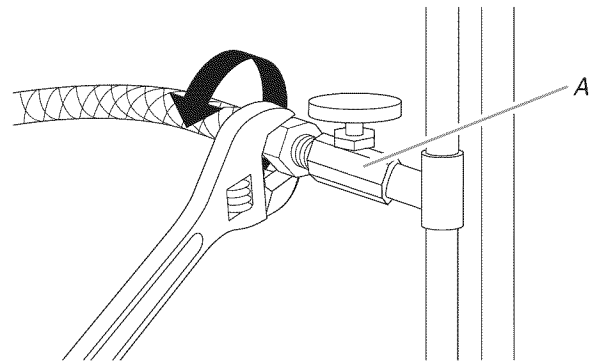


- Slide dishwasher partway into the cabinet opening. Allow for access to the electrical terminal box.



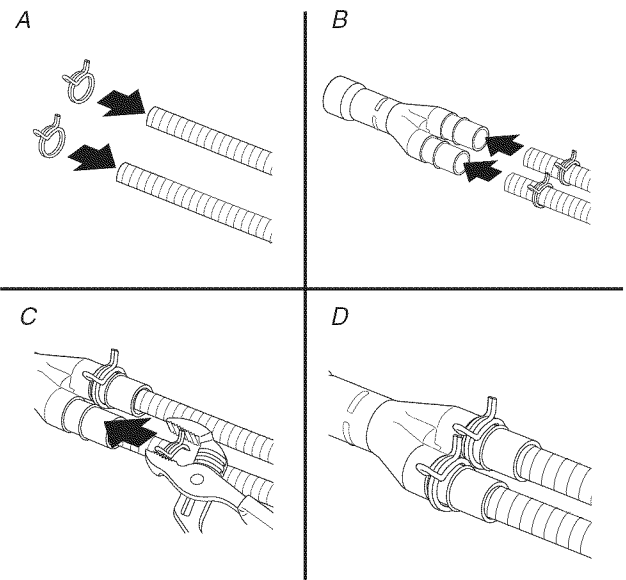
Connect Water Supply Line and Drain Hoses

- Connect water supply line to the water valve under the sink.



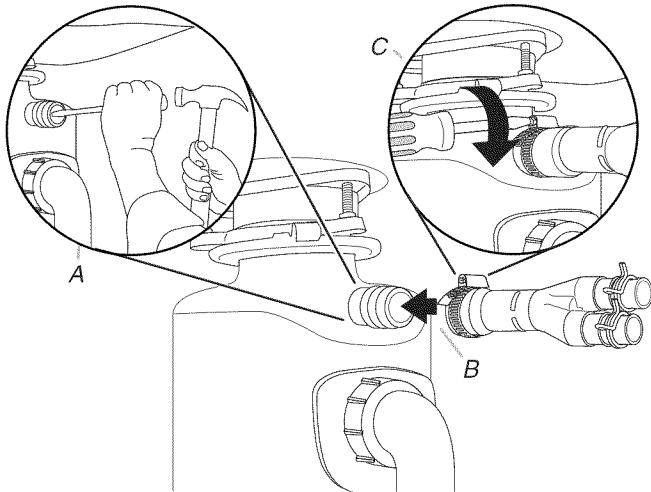
A. Hot water supply

- Slide clamps onto drain hoses (Figure A). Do not cut drain hoses.
- Push hoses into Y drain connector until fully seated (Figure B). Several "clicks" will be heard.
- Slide clamps into position (figures C and D).



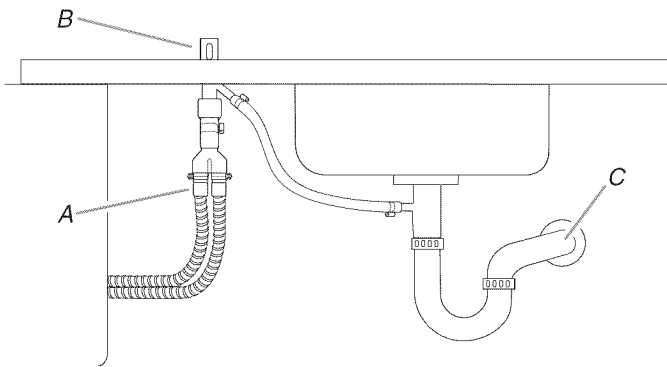
5. Connect the drain hose using one of the following options:

Option 1: Waste disposer no drain air gap



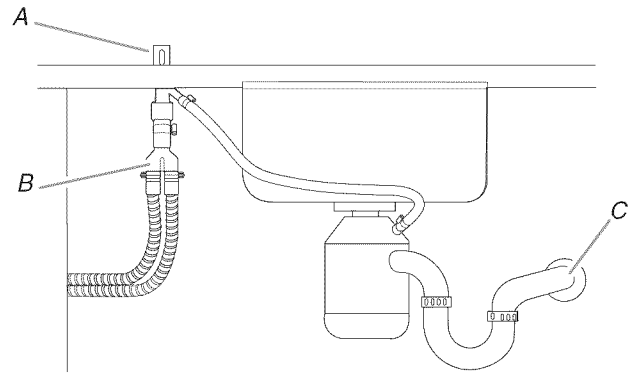
- A. For new construction, remove disposer plug.
- B. Connect drain connector to waste disposer.
- C. Tighten clamp.

Option 2: No waste disposer and drain air gap



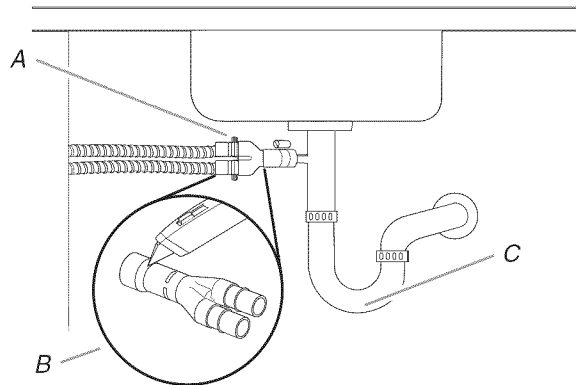
- A. Drain hose connector
- B. Drain air gap
- C. Waste

Option 3: Waste disposer and drain air gap



- A. Drain hose connector
- B. Drain air gap
- C. Waste

Option 4: No waste disposer, no drain air gap



- A. Drain hose connector
- B. Cut drain connector
- C. Waste

NOTE: Attach the drain hose connector to the water waste line using the supplied hose clamp.

6. Turn on water and check for leaks.



Make Electrical Connection

⚠️ WARNING

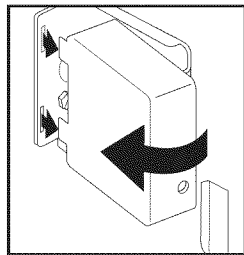
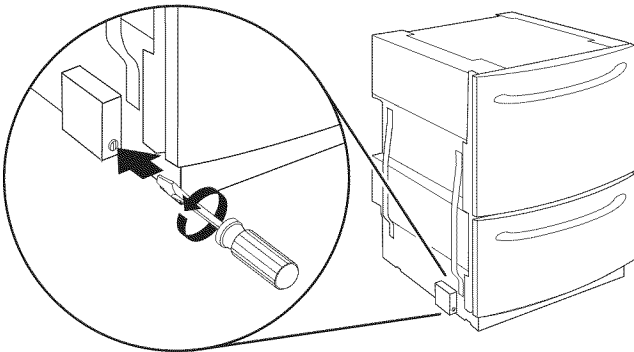


Electrical Shock Hazard

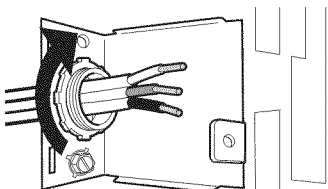
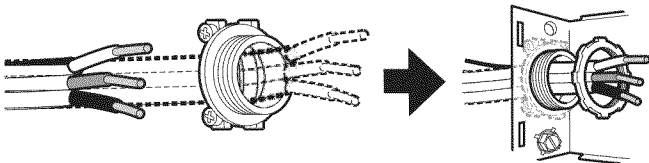
Disconnect electrical power at the fuse box or circuit breaker box before installing dishwasher.

Failure to do so can result in death or electrical shock.

1. Remove screw securing the electrical box cover. Remove cover.



2. Route electrical wires through strain relief and secure to electrical plate.



⚠️ WARNING



Electrical Shock Hazard

Electrically ground dishwasher.

Connect ground wire to green ground connector in terminal box.

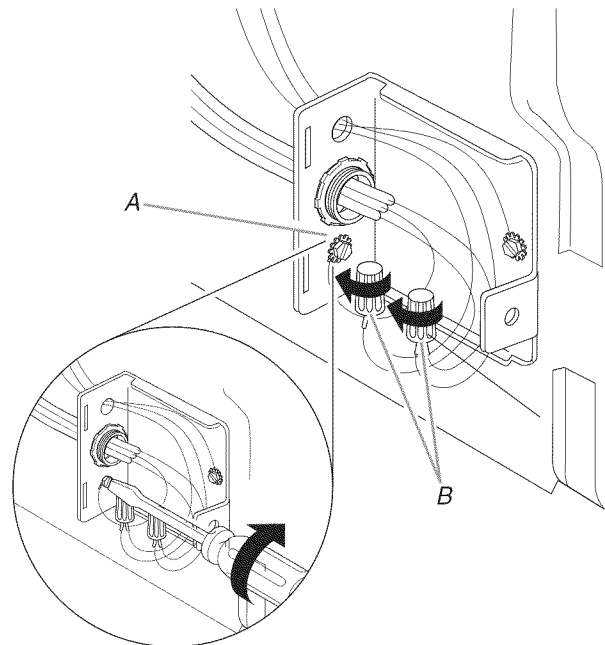
Do not use an extension cord.

Failure to follow these instructions can result in death, fire, or electrical shock.

3. Connect wires as follows using twist-on connectors sized to connect direct wire to 16 gauge dishwasher wire.

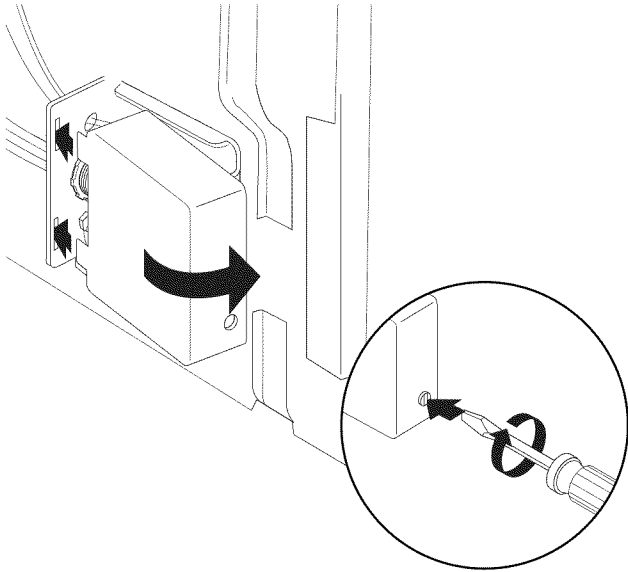
Power supply wire:		Terminal box wire:
white	↔	white
black	↔	black
ground wire	↔	ground connector

4. Attach ground wire to the green ground screw.

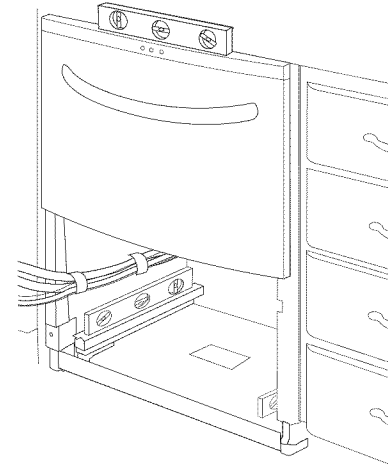


A. Attach ground wire to green screw.
B. Attach white and black wires.

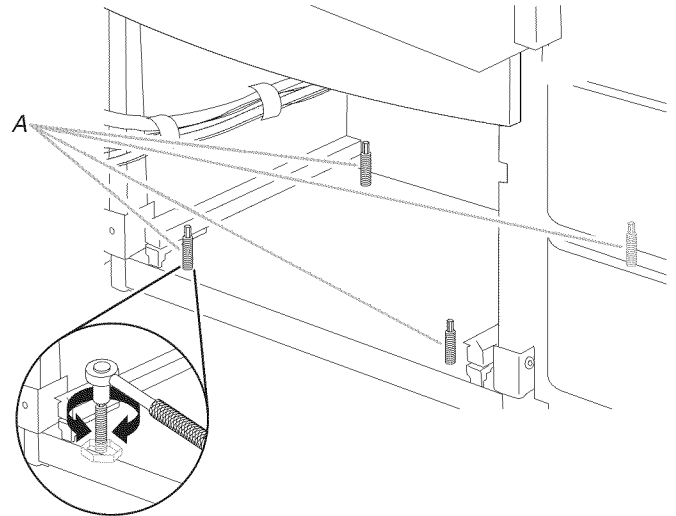
- Reinstall electric box cover with all wires contained inside the terminal box.



- Check left to right level by placing the level on the top of the drawer. Check front to back level by placing level on the slide rails.



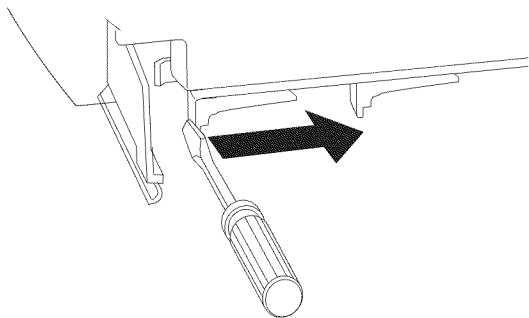
- Adjust legs with a $\frac{3}{16}$ " socket wrench to level the dishwasher.



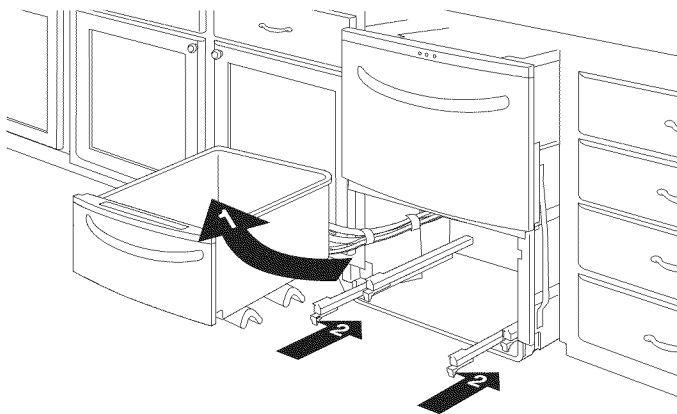
A. Adjust legs.

Install Trim Pieces and Level Dishwasher

- Open bottom drawer.
- Push in clips and slide rails back 5" (12.7 cm).

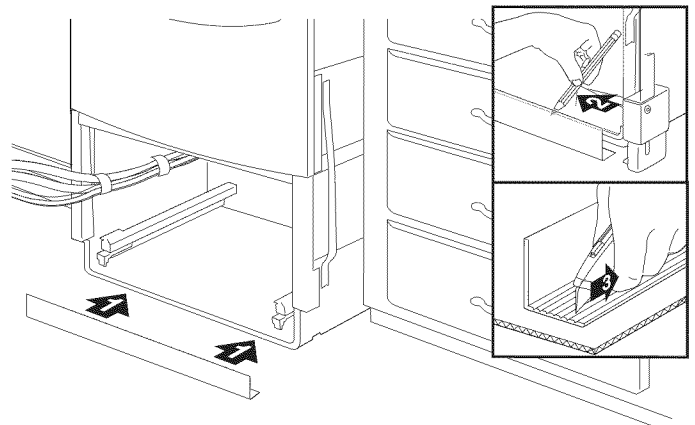


- Lift drawer off slide rails. Place drawer off to the left on covering. Slide rails into dishwasher.

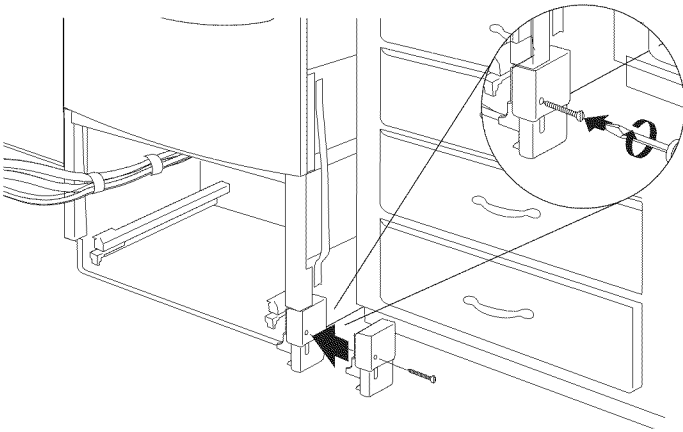


- Slide the dishwasher into position in the cabinet opening. Check to ensure that the drain hose and electrical wiring are not kinked.

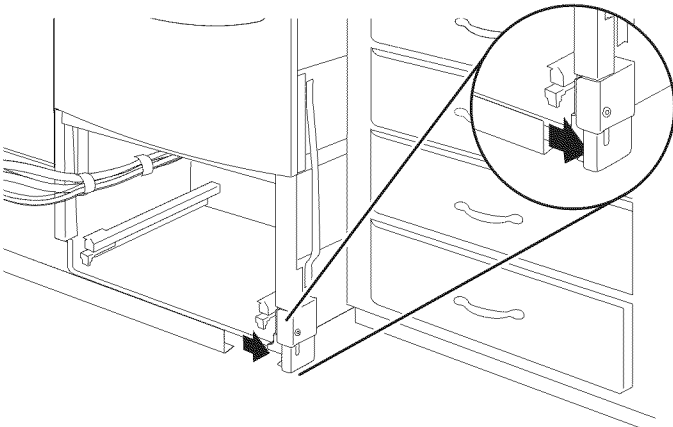
- Rest trim strip on floor and mark trim at the top of the frame flange height. Pick the closest groove to the mark. If the mark is between two grooves, choose the groove that makes the trim strip the shortest. On a covered surface, cut the trim strip at the selected groove. Pull dishwasher back out of cabinet opening about 6" (15.24 cm).



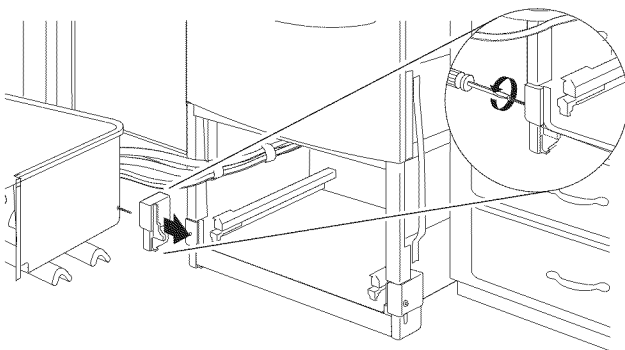
8. Attach the toe kick bracket to the frame.



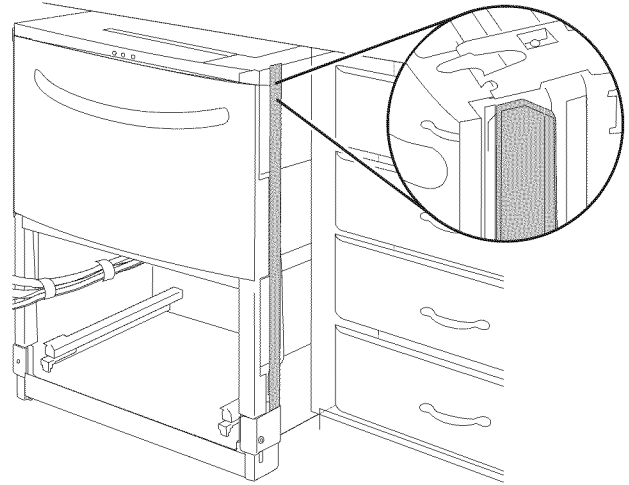
9. Place trim strip into toe kick bracket.



10. Attach toe kick bracket on the opposite side.



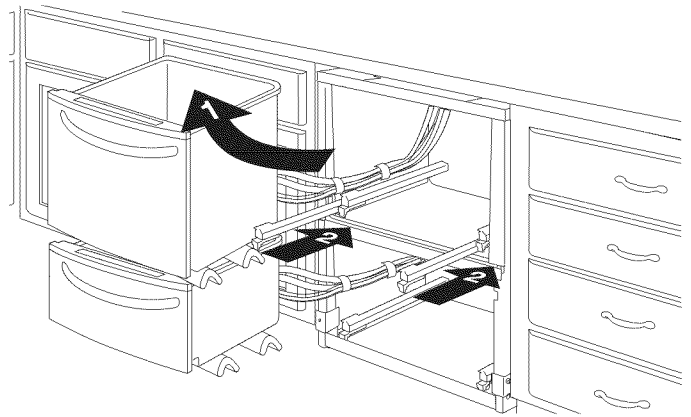
11. Place flexible side trim strips on both sides as shown.



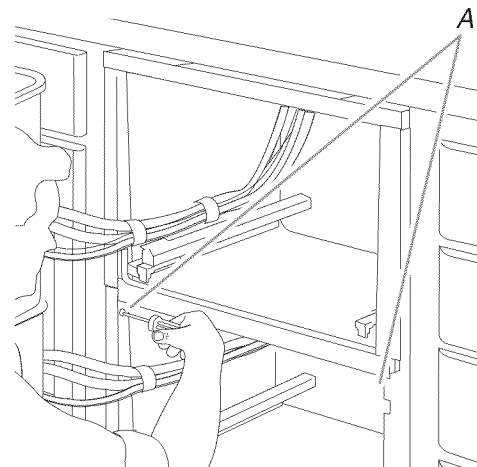
12. Slide the dishwasher back into position in the cabinet opening. Check to ensure that the drain hose and electrical wiring are not kinked.

Secure the Dish Drawers

1. Remove top drawer (same procedure as followed to remove bottom drawer) and set drawer on bottom drawer separated with corner packaging.



2. Attach dishwasher to the lower cabinet mounting bracket (installed earlier).

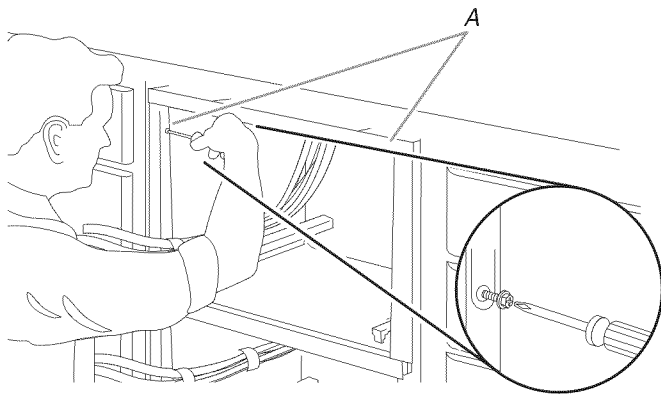


A. Attach dishwasher to lower cabinet mounting bracket.

3. Attach dishwasher to upper cabinet mounting brackets.

Option 1: Solid surface countertop

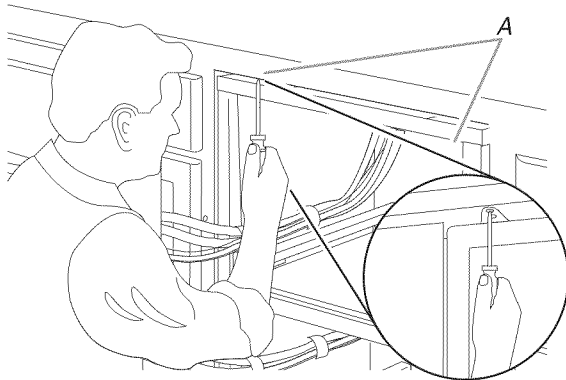
- Attach dishwasher to the side cabinet mounting brackets (installed earlier).



A. Attach dishwasher to side cabinet mounting brackets.

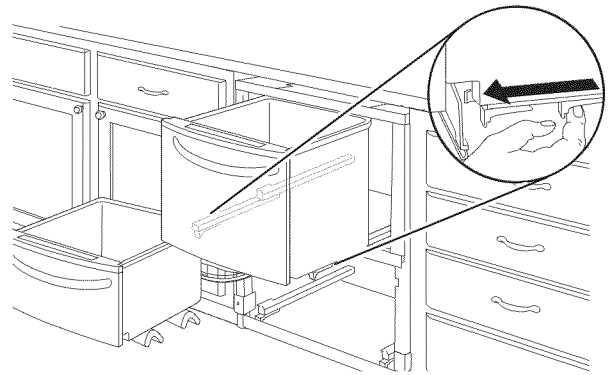
Option 2: Wood countertop

- Attach the dishwasher to the countertop using the folded over mounting tabs located on the top of the dishwasher.

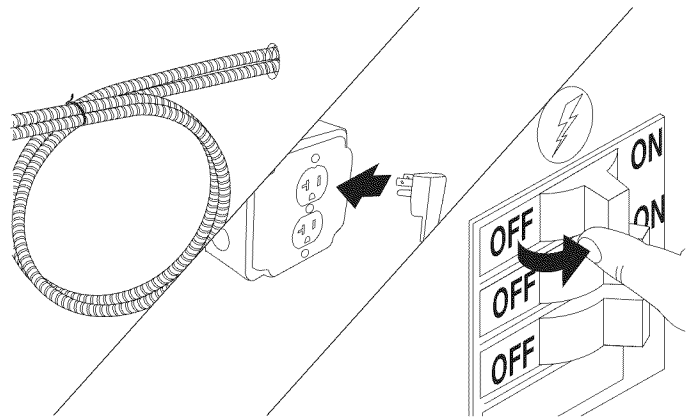


A. Attach dishwasher to countertop using folded over mounting tabs.

2. Pull slide rails forward until they snap into position.



3. Push top drawer in and repeat above steps for bottom drawer.
4. In the cabinet under the sink, coil excess drain hose and wrap with a zip tie. Plug in dishwasher or reconnect the power.



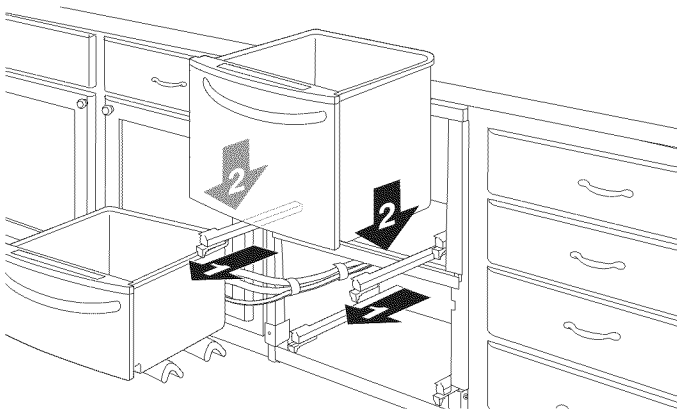
5. Select the Rinse Only cycle and press START/RESUME. Allow the dishwasher to fill, rinse and drain. Check for leaks. If leaks are found, secure the connection and repeat this step.

If you need Assistance or Service:

Please reference the "Assistance or Service" section of the User Instructions or contact the dealer from whom you purchased your dishwasher.

Complete Installation

1. Pull top drawer slide rails out and set top drawer on slide rails.



CUSTOM PANEL INSTALLATION INSTRUCTIONS

Custom Drawer Panels

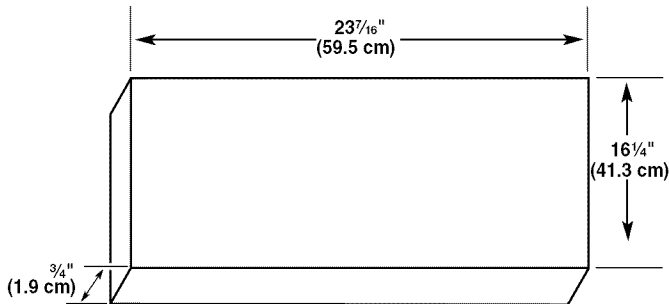
If you plan to install a custom wood panels, you will need to create the panels yourself or consult a qualified cabinetmaker or carpenter. See dimension drawings for panel specifications.

IMPORTANT:

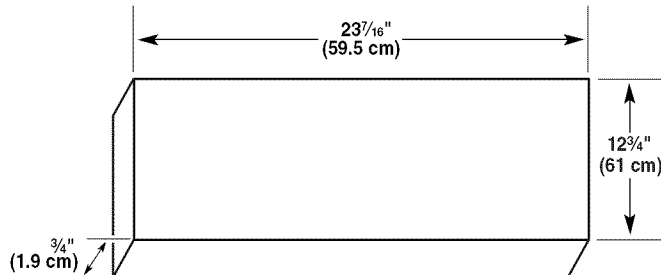
- The thickness of the custom panel must be $\frac{1}{2}$ " (12.7 mm) to $\frac{3}{4}$ " (19.05 mm).
- Do not exceed the height dimension for the custom panel(s). Panel(s) that exceed the height dimension may damage the drawer dishwasher, cabinets or countertop.
- The width of the custom panel(s) may vary according to the width of the cabinet opening.

Custom Panel Dimensions

Upper drawer panel



Lower drawer panel

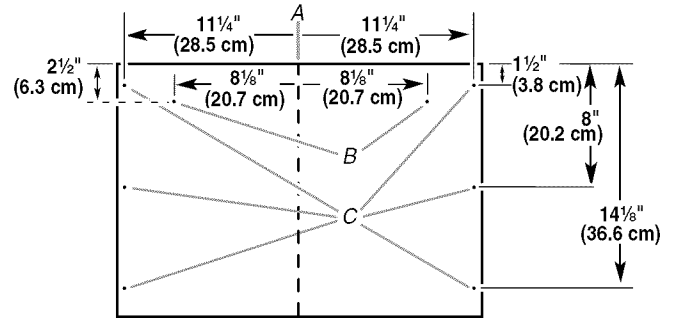


Hardware Installation

Center the hardware (left to right) onto the custom panel. When installing the hardware, be sure that the mounting screws are flush with the back of the custom panel(s).

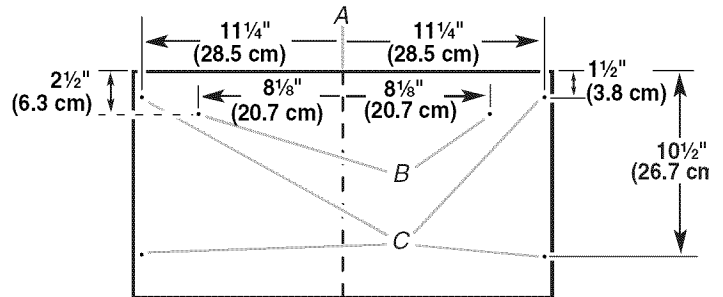
Preparing Custom Panels

1. Lay the custom panels (top and bottom) face down on a clean, soft work surface.
2. Using a pencil, mark the centerpoints for the 2 panel fastener pilot holes and 6 pilot holes needed for the upper panel.



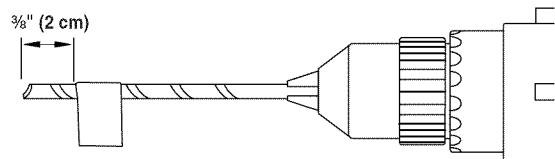
- A. Center line
- B. Panel fastener pilot holes (2)
- C. Pilot holes (6)

3. Mark the centerpoints for the 2 panel fastener pilot holes and 4 pilot holes need for the lower panel.



- A. Center line
- B. Panel fastener pilot holes (2)
- C. Pilot holes (4)

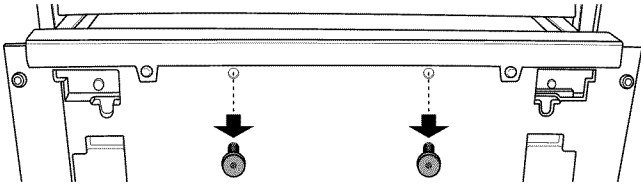
4. Using a $\frac{1}{8}$ " drill, drill each hole $\frac{3}{8}$ " (1 cm) deep.



IMPORTANT: To avoid drilling through to the front of the custom panel, do not drill deeper than $\frac{3}{8}$ " (1 cm).

Install Panel Fasteners

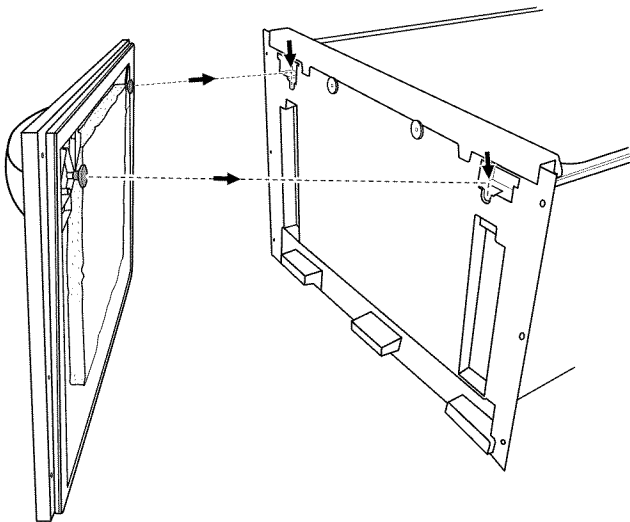
1. Remove the two panel fasteners from the face of the inner door of the upper drawer.



2. Screw the two panel fasteners into the panel fastener pilot holes of the custom panel.
3. Repeat steps 1 and 2 for the lower drawer.

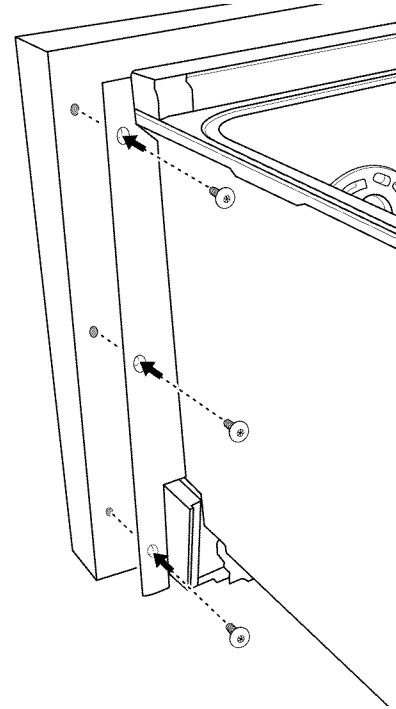
Mount the Custom Panel

1. Mount the upper custom panel to the drawer by aligning the panel fasteners to the two keyhole slots and insert the panel.



2. To secure the custom panel onto the drawer, push the custom panel down until the top of the custom panel is flush with the top of the control panel.

3. Using the screws provided, secure the custom panel to the inner door by screwing through the inner door and into the 1/8" (3.175 mm) pilot holes.



4. Repeat steps 1 to 3 for the lower drawer.

NOTE: There will only be 4 pilot holes (2 on the left and 2 on the right) for the lower drawer.

SEGURIDAD DE LA LAVAVAJILLAS

Su seguridad y la seguridad de los demás es muy importante.

Hemos incluido muchos mensajes importantes de seguridad en este manual y en su electrodoméstico. Lea y obedezca siempre todos los mensajes de seguridad.



Este es el símbolo de advertencia de seguridad.

Este símbolo le llama la atención sobre peligros potenciales que pueden ocasionar la muerte o una lesión a usted y a los demás.

Todos los mensajes de seguridad irán a continuación del símbolo de advertencia de seguridad y de la palabra "PELIGRO" o "ADVERTENCIA". Estas palabras significan:

 **PELIGRO**

Si no sigue las instrucciones de inmediato, usted puede morir o sufrir una lesión grave.

 **ADVERTENCIA**

Si no sigue las instrucciones, usted puede morir o sufrir una lesión grave.

Todos los mensajes de seguridad le dirán el peligro potencial, le dirán cómo reducir las posibilidades de sufrir una lesión y lo que puede suceder si no se siguen las instrucciones.

INSTRUCCIONES IMPORTANTES DE SEGURIDAD

ADVERTENCIA: Cuando use la lavavajillas siga precauciones básicas, incluyendo las siguientes:

- Lea todas las instrucciones antes de usar la lavavajillas.
- Use la lavavajillas únicamente para las funciones que fue diseñada.
- Use únicamente detergentes o agentes de enjuague recomendados para ser usados en las lavavajillas y manténgalos fuera del alcance de los niños.
- Al introducir los artículos para lavar:
 - 1) Coloque los artículos puntiagudos de manera que no dañen el sello de la puerta
 - 2) Introduzca los cuchillos filosos con los mangos hacia arriba para reducir el riesgo de cortaduras.
- No lave artículos de plástico que no lleven la indicación "lavables en la lavavajillas" u otra similar. Lea las recomendaciones del fabricante para los artículos de plástico que no lleven tal indicación.
- No toque el elemento de calefacción durante o inmediatamente después de usar la lavavajillas.
- No haga funcionar la lavavajillas a menos que todos los paneles estén colocados debidamente en su lugar.
- No juegue con los controles.
- No abuse, ni se siente ni se pare sobre la puerta, la tapa o sobre las canastas de la lavavajillas.
- Para reducir el riesgo de lesión, no permita que los niños jueguen dentro ni sobre la lavavajillas.
- Bajo ciertas condiciones, un sistema de agua caliente que no ha sido usado por dos semanas o más puede producir gas hidrógeno. **EL GAS HIDRÓGENO ES EXPLOSIVO.** Si el sistema de agua caliente no ha sido usado por ese período, abra todas las llaves de agua caliente y deje que corra el agua por varios minutos antes de usar la lavavajillas. Esto permitirá que los gases acumulados escapen. Debido a que el gas es inflamable, no fume ni encienda ninguna llama abierta durante este tiempo.
- Quite la puerta o la tapa del compartimento de lavado cuando remueva o deje de usar para siempre una vieja lavavajillas.

GUARDE ESTAS INSTRUCCIONES

 **ADVERTENCIA**

Peligro de Vuelco

No abra el cajón de la lavavajillas hasta que la misma esté dentro de la abertura del armario.

No seguir estas instrucciones puede ocasionar la muerte o heridas serias.



Usted necesita:

- Abrir despacio el cajón de la lavavajillas mientras otra persona agarra la parte posterior de la lavavajillas. Quite el material de transporte. Cierre el cajón de la lavavajillas. Cierre y asegure el cajón de la lavavajillas.
- Observar todos los códigos y reglamentos aplicables.
- Instalar esta lavavajillas como se especifica en estas instrucciones.
- Tener todo lo necesario para instalar la lavavajillas adecuadamente.
- Ponerse en contacto con un instalador calificado para asegurarse de que la lavavajillas haya sido instalada de manera que cumpla con todos los códigos y ordenanzas eléctricos y de plomería nacionales y locales.

REQUISITOS DE INSTALACIÓN

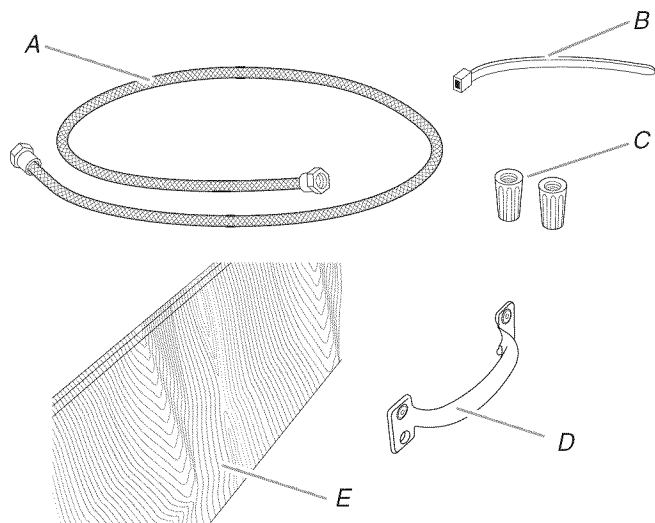
Piezas y herramientas

Reúna las herramientas y piezas necesarias antes de comenzar la instalación. Lea y siga las instrucciones provistas con cualquiera de las herramientas enlistadas aquí.

Herramientas necesarias

- Pinzas
- Destornillador Phillips
- Destornillador de hoja plana
- Llave de tuercas o llave de tubo hexagonal de 3/16" y 1/4".
- Cinta de medir o regla
- Sierra perforadora de 1 1/2"
- Llave de tuercas ajustable de 10"
- Cuchillo para uso general
- Nivel
- Taladro eléctrico
- Broca de 1/8"
- Destornillador de seguridad T-20 TORX®† (si va a instalar paneles frontales a la medida)

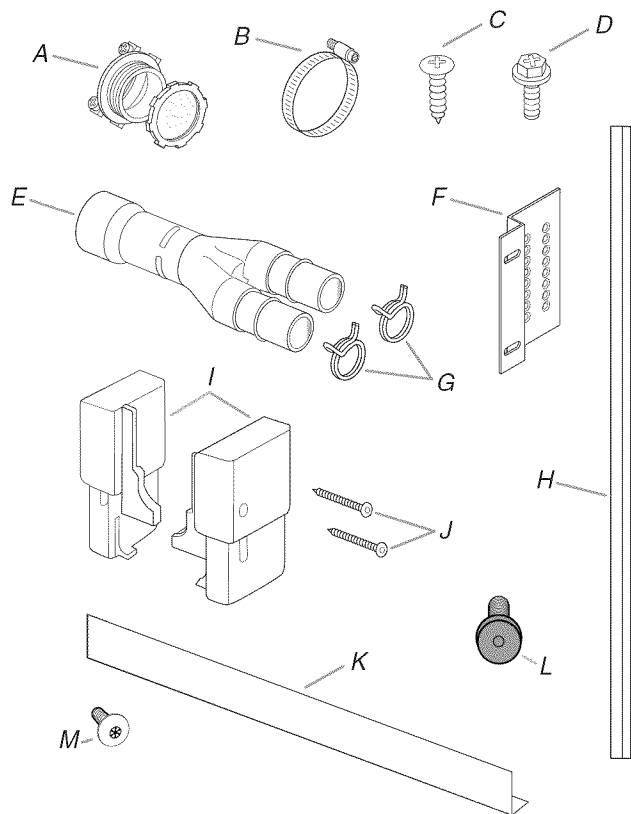
Piezas necesarias



- A. Línea de suministro de agua flexible de 72" (182,9 cm)
- B. Atadura
- C. Conectores de tamaño apropiado para cables que se encuentren en la lista de UL (2)
- D. Herrajes (si va a instalar paneles frontales a la medida)
- E. Panel a la medida (si va a instalar paneles frontales a la medida)

Piezas suministradas

Verifique que estén todas las piezas.



- A. Protector de cables de 3/4" que esté en la lista de UL
- B. Abrazadera para manguera de 1,25"
- C. Tornillos para los soportes de montaje (8)
- D. Tornillos de montaje para la unidad (4)
- E. Conector de desagüe en forma de "Y"
- F. Soportes de montaje (4)
- G. Abrazaderas tipo resorte para el conector del desagüe
- H. Tiras de adorno (2)
- I. Soportes para la cubierta protectora
- J. Tornillos para el soporte de la cubierta protectora (2)
- K. Adorno para la cubierta protectora (2)
- L. Sujetadores para panel (en algunos modelos [2])
- M. Tornillos TORX®† (en algunos modelos [2])

†®TORX es una marca registrada de Textron Innovations Inc.

Requisitos de ubicación

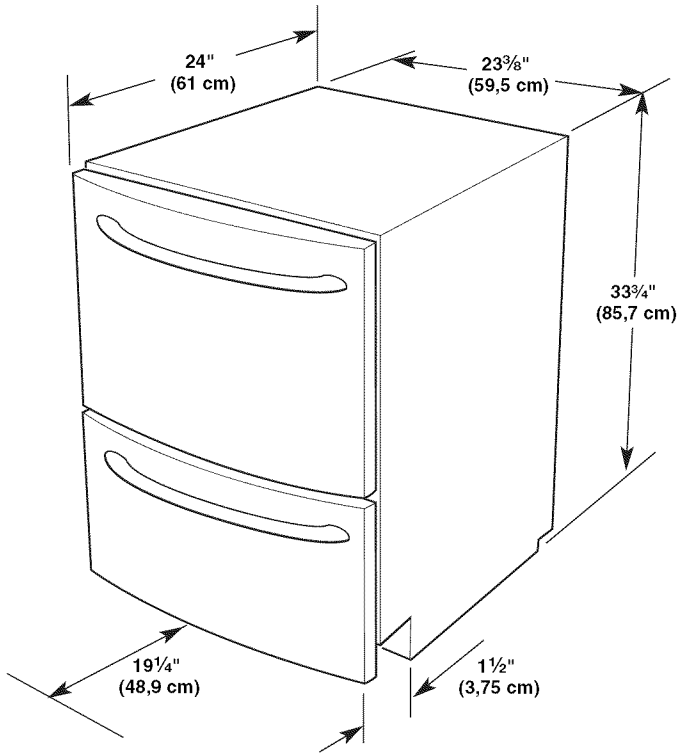
IMPORTANTE: Observe todos los códigos y reglamentos aplicables. Si no se siguen los códigos y ordenanzas, esto podría hacer que se produzca un incendio o choque eléctrico.

La instalación correcta es su responsabilidad.

- Póngase en contacto con un instalador calificado para asegurarse que la lavavajillas haya sido instalada de manera que cumpla con todos los códigos y ordenanzas eléctricos y de plomería nacionales y locales.
- Instale la lavavajillas como se especifica en estas instrucciones.

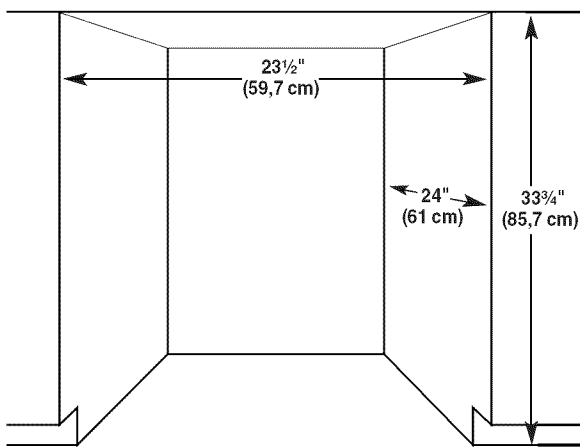
- Tenga todo lo necesario para instalar la lavavajillas adecuadamente.
- Guarde las líneas de lavavajillas y de agua que conducen al lavavajillas de congelar. El daños de congelar no es cubierta por la garantía.
- Esta lavavajillas fue fabricada únicamente para uso interior.
- Instale y nivele la lavavajillas en un piso que pueda soportar su peso y en un área adecuada para su tamaño y uso.

Medidas del producto

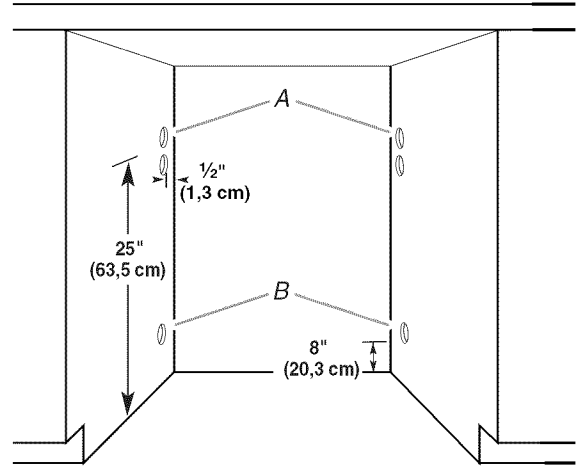


Espacios libres para la instalación

Dimensiones de corte



Área de servicio preferida



A. Elija una ruta hacia la derecha o hacia la izquierda para la conexión del desagüe y del agua.

B. Elija una ruta hacia la derecha o hacia la izquierda para la conexión eléctrica.

NOTA: Todos los orificios deben ser taladrados con un diámetro de 1¹/₂" (3,8 cm).

Requisitos del suministro de agua

- Una tubería de agua caliente con presión de agua de 20-120 lb/pulg² (138-862 kPa).
- Temperatura del agua en la lavavajillas de 120°F (49°C).
- Línea de llenado de acero inoxidable flexible trenzado (no se recomienda una tubería de plástico de un mínimo de 1/2" [1,3 cm]).

Requisitos eléctricos

⚠ ADVERTENCIA



Peligro de Choque Eléctrico

Conecte a un contacto de pared de conexión a tierra de 3 terminales.

No quite la terminal de conexión a tierra.

No use un adaptador.

No use un cable eléctrico de extensión.

No seguir estas instrucciones puede ocasionar la muerte, incendio o choque eléctrico.

INSTRUCCIONES DE CONEXIÓN A TIERRA

■ Para una lavavajillas con cable eléctrico y conexión a tierra:

La lavavajillas debe estar conectada a tierra. En caso de funcionamiento defectuoso o avería, la conexión a tierra reduce el riesgo de choque eléctrico al establecer una ruta de menor resistencia para la corriente eléctrica. La lavavajillas viene equipada con un cable eléctrico que tiene un conductor para conexión a tierra y un enchufe con conexión a tierra. El enchufe debe ser conectado a un contacto apropiado que esté instalado y conectado a tierra de acuerdo con todos los códigos y ordenanzas locales.

ADVERTENCIA: La conexión inadecuada del conductor de conexión a tierra puede resultar en riesgo de choque eléctrico. Pregunte a un electricista calificado o a un agente de servicio si no está seguro si la lavavajillas está adecuadamente conectada a tierra. No modifique el enchufe que viene con la lavavajillas. Si no cabe en el contacto, pida que un electricista calificado instale un contacto apropiado.

■ Para lavavajillas con conexión permanente:

La lavavajillas deberá estar conectada a un sistema permanente de cableado eléctrico con conexión a tierra de metal, o se debe instalar un alambre de tierra junto con los alambres del circuito y conectarse a la terminal o al alambre de tierra del equipo en la lavavajillas.

GUARDE ESTAS INSTRUCCIONES

Póngase en contacto con un electricista calificado.

Asegúrese que la conexión eléctrica sea adecuada y de conformidad con todos los códigos y ordenanzas locales y nacionales.

Usted debe tener:

- Un suministro eléctrico de 120 voltios, 60 hertzios, CA solamente, de 15 ó 20 amperios y protegido con fusible.
- Solamente alambre de cobre.

Recomendamos:

- Un fusible retardador o un cortacircuitos.
- Un circuito separado.

Si va a hacer un cableado directo para la la lavavajillas:

- Use alambre de cobre blindado flexible o forrado no metálico con el alambre de puesta a tierra, el cual cumpla con los requisitos de cableado para su casa y con los códigos y ordenanzas locales.
- Use el método de protector de cables provisto con la caja de empalmes del cableado de la casa, o instale un conector tipo abrazadera que esté en la lista de UL y certificado por CSA, a la caja de empalmes del cableado de la casa. Si va a usar un conducto, utilice un conector de conducto que esté en la lista de UL y sea certificado por CSA.

Si va a conectar la lavavajillas con un cable de suministro eléctrico:

- Use el juego del cable de suministro eléctrico (pieza N° 4317824), que esté marcado para usarse con lavavajillas. El juego incluye:
 - Cable de suministro eléctrico de 3 hilos, calibre 16, en la lista de UL, marca Voltex, Inc. con un enchufe con conexión a tierra de 3 hilos.
 - Protector de cables marca Neer C-500 de 3/8"
 - Conectores para 3 hilos.
 - Aro de refuerzo pieza N° 302797

Para la instalación del cable de suministro eléctrico, siga las instrucciones del juego.

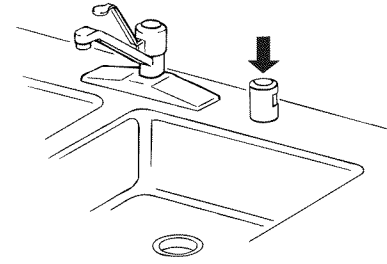
- El cable de suministro eléctrico debe conectarse a un contacto apropiado de pared de 3 terminales, con conexión a tierra, ubicado en el armario que se encuentra al lado de la abertura de la lavavajillas. El contacto debe cumplir con todos los códigos y ordenanzas locales.

IMPORTANTE: Si planea instalar un recipiente de desechos, se requiere tener un suministro eléctrico separado adicional, de 120 voltios, 60 Hz, CA solamente, de 15 ó 20 amperios, con fusible.

Requisitos de desagüe

- Use la manguera nueva de desagüe provista con su lavavajillas. Si no es lo suficientemente larga, use una manguera de desagüe nueva con una longitud máxima de 12 pies (3,7 m), que cumpla con todos los estándares actuales de AHAM/IAPMO (por sus siglas en inglés, los Fabricantes Estadounidenses de Electrodomésticos para Uso Doméstico y la Asociación Internacional de Funcionarios de Fontanería y Mecánica), que sea resistente al calor y al detergente y encaje en el conector de desagüe de 1" (2,5 cm) de la lavavajillas.
- Conecte la manguera de desagüe al tubo de desperdicios en "T" o a la entrada del recipiente de desechos que se encuentra arriba del sifón de desagüe en la tubería de la casa, y a un mínimo de 20" (50,8 cm) del piso. Se recomienda que la manguera de desagüe se enlace y quede asegurada

firmemente a la parte inferior del mostrador, o que se conecte a una purga de aire.



- Use una purga de aire del desagüe si la manguera de desagüe está conectada a la tubería de la casa a una altura menor a las 20" (50,8 cm) sobre el contrapiso o el piso.
- Use accesorios para la línea de desagüe con un diámetro interior de 1/2" (1,3 cm) como mínimo.

INSTRUCCIONES DE INSTALACIÓN

⚠ ADVERTENCIA



Peligro de Choque Eléctrico

Desconecte el suministro de energía en la caja de fusibles o cortacircuitos antes de instalar la lavavajillas.

No seguir esta instrucción puede ocasionar la muerte o choque eléctrico.

1. Desconecte el suministro de energía.
2. Cierre el suministro de agua.

Desempaque el cajón para platos

⚠ ADVERTENCIA

Peligro de Peso Excesivo

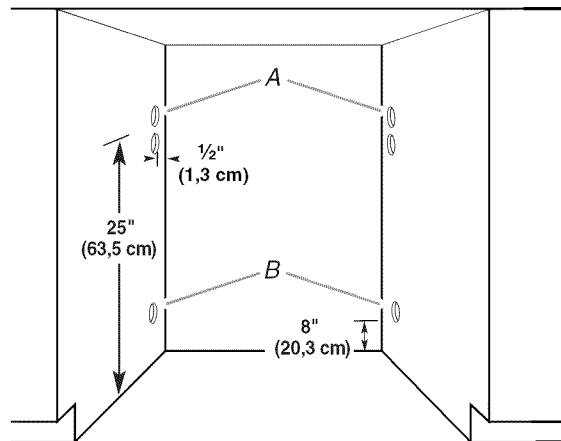
Use dos o más personas para mover e instalar la lavavajillas.

No seguir esta instrucción puede ocasionar una lesión en la espalda u otro tipo de lesiones.

1. Antes de abrirlo, lea la información importante que se encuentra en el exterior de la caja de embalaje.
2. Quite los materiales de envío, la cinta adhesiva y la película protectora de la lavavajillas. Retire el paquete de piezas del interior de la lavavajillas.

Prepare la abertura del armario

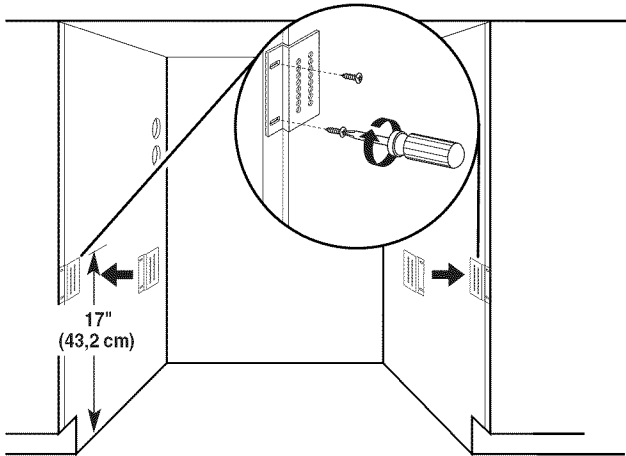
1. Para asegurarse de que tenga los espacios libres mínimos:
 - Mida la distancia del mostrador del armario al piso, y asegúrese de tener un mínimo de 33 3/4" (85,7 cm) de altura.
 - Mida la distancia del frente del armario a la pared posterior y asegúrese de tener un mínimo de 24" (61 cm) de profundidad.
 - Mida la distancia del lado izquierdo al derecho de la abertura y asegúrese de tener un mínimo de 23 1/2" (59,7 cm) de ancho.
2. Taladre orificios de 1 1/2" (3,8 cm) de diámetro para las mangueras de agua y desagüe, y para el cableado eléctrico, como se muestra. Los orificios se deben hacer a una distancia de 1/2" (1,3 cm) de la pared posterior.



A. Elija una ruta hacia la derecha o izquierda para las mangueras de desagüe y de agua.

B. Elija una ruta hacia la derecha o izquierda para el cableado eléctrico.

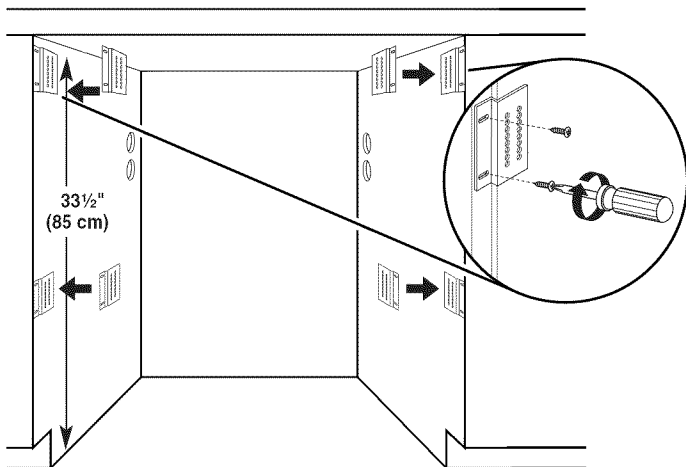
3. Instale los soportes de montaje a una distancia de 17" (43,2 cm) del piso, usando los tornillos provistos. De ser necesario, taladre orificios piloto de 1/8" en el armario.



4. Decida qué método de sujeción usará para asegurar la lavavajillas al mostrador.

Opción 1: Instalación para un mostrador de superficie sólida

- Instale el segundo juego de soportes de montaje a una distancia de 33 1/2" (85 cm) del piso. De ser necesario, taladre orificios piloto de 1/8" en el armario.



⚠ ADVERTENCIA



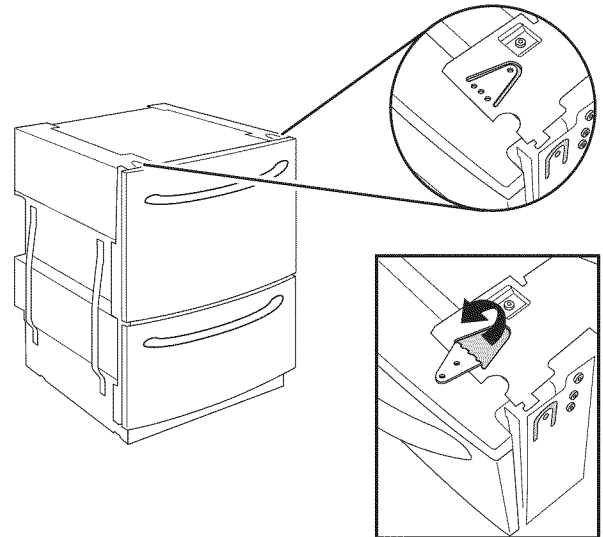
Peligro de Vuelco

No abra el cajón de la lavavajillas hasta que la misma esté dentro de la abertura del armario.

No seguir estas instrucciones puede ocasionar la muerte o heridas serias.

Opción 2: Instalación para un mostrador de madera

- Prepare la lavavajillas doblando las lengüetas ubicadas en la parte frontal superior, como se muestra.



PREPARE LA LAVAVAJILLAS

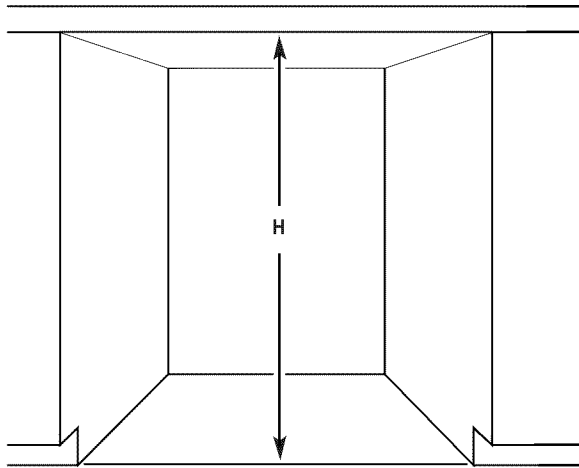
⚠ ADVERTENCIA

Peligro de Peso Excesivo

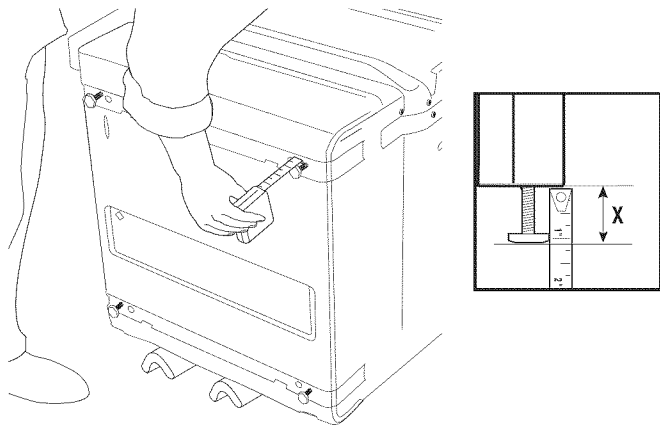
Use dos o más personas para mover e instalar la lavavajillas.

No seguir esta instrucción puede ocasionar una lesión en la espalda u otro tipo de lesiones.

1. Mida la altura de la abertura del armario del piso a la parte inferior del mostrador.



- Coloque los esquineros en el piso y apoye la lavavajillas sobre su lado posterior.
- Ajuste las patas niveladoras según la medida de la abertura del armario y la tabla a continuación.



H	: X	H	: X
33 3/4" (85,7 cm)	: 0"	34 1/2" (87,6 cm)	: 5/8" (1,6 cm)
34" (86,3 cm)	: 1/8" (0,3 cm)	34 5/8" (87,9 cm)	: 3/4" (1,9 cm)
34 1/8" (86,7 cm)	: 1/4" (0,6 cm)	34 3/4" (88,3 cm)	: 7/8" (2,2 cm)
34 1/4" (87 cm)	: 3/8" (1 cm)	34 7/8" (88,6 cm)	: 1" (2,5 cm)
34 3/8" (87,3 cm)	: 1/2" (1,3 cm)	35" (88,9 cm)	: 1 1/8" (2,9 cm)

- Coloque la lavavajillas en posición vertical.

Dirija el cableado eléctrico

⚠ ADVERTENCIA



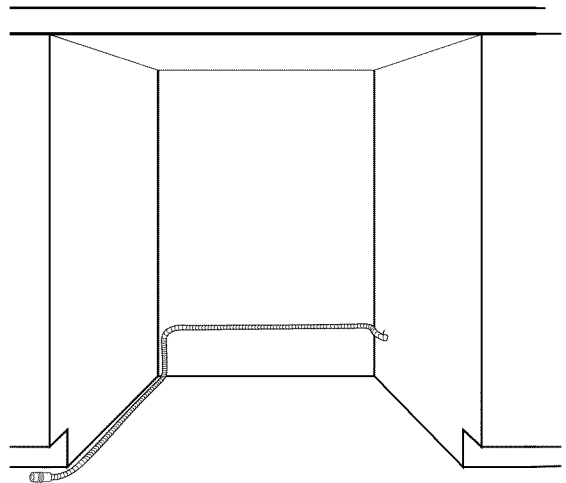
Peligro de Choque Eléctrico

Desconecte el suministro de energía en la caja de fusibles o cortacircuitos antes de instalar la lavavajillas.

No seguir esta instrucción puede ocasionar la muerte o choque eléctrico.

Siga todos los códigos y ordenanzas locales y nacionales para completar el suministro eléctrico a la carcasa.

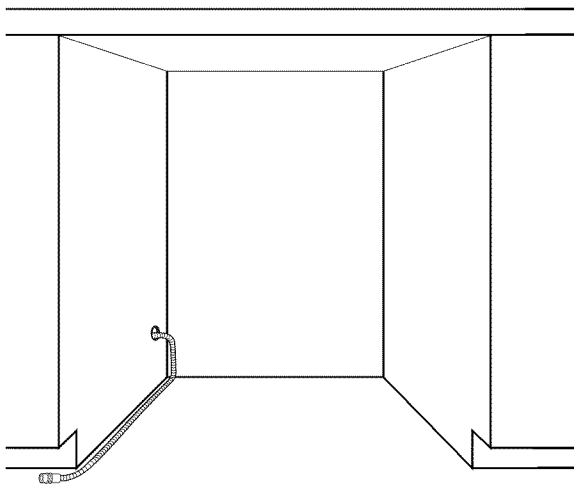
Opción 1: Ruta de servicio del lado derecho



Dirija el cable a través del orificio de 1 1/2" (3,81 cm), ubicado a 8" (20,32 cm) por encima del piso.

Después de dirigir el cable eléctrico a través del orificio en el lado derecho, sujete el cable al lado posterior izquierdo de la pared del armario a 8" (20,32 cm) por encima del piso. Luego continúe dirigiendo el cable a lo largo del lado izquierdo de la abertura del armario hacia el frente de la misma.

Opción 2: Ruta de servicio del lado izquierdo

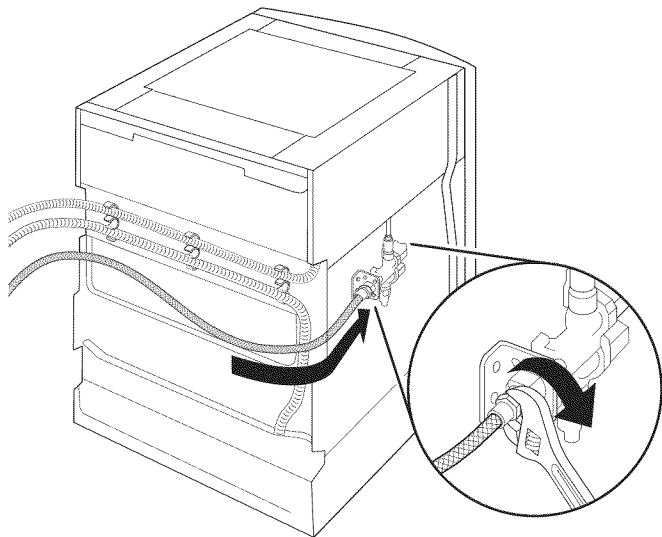


Dirija el cable a través del orificio de 1½" (3,81 cm), ubicado a 8" (20,32 cm) por encima del piso.

Después de dirigir el cable eléctrico a través del orificio en el lado izquierdo, continúe dirigiendo el cable a lo largo del lado izquierdo del armario hacia el frente de la abertura.

Dirija la línea de suministro de agua y la manguera de desagüe

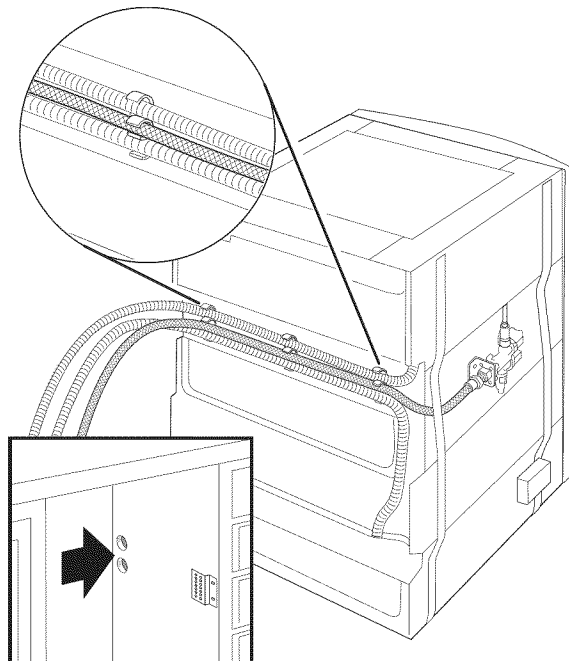
1. Conecte la línea de suministro de agua a la válvula de agua de la lavavajillas.



2. Dirija la línea de suministro de agua y las mangueras de desagüe según los requisitos de su armario.

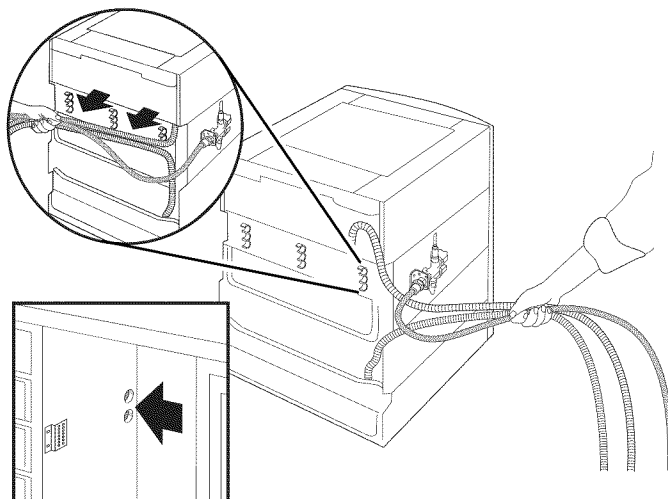
Opción 1: Acceso de servicio por el lado derecho

- Para dirigir por el lado derecho, las mangueras de desagüe vienen enviadas en la posición correcta. Coloque la línea del suministro de agua en el sujetador, como se muestra.

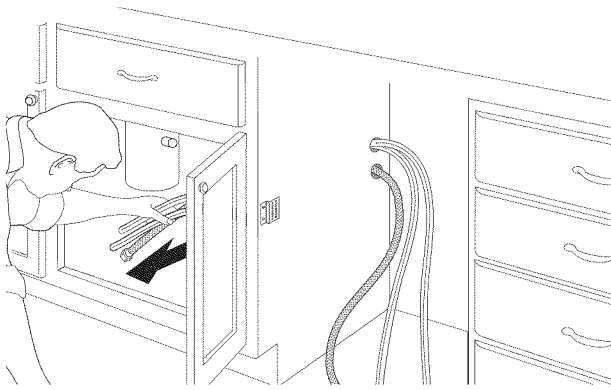


Opción 2: Acceso de servicio por el lado izquierdo

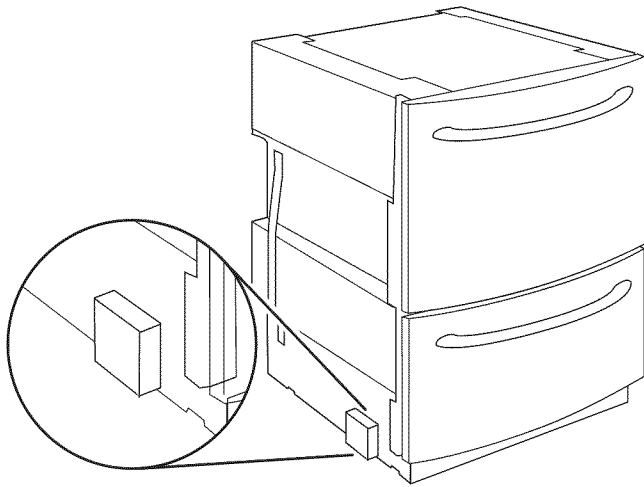
- Para dirigir por el lado izquierdo, saque las mangueras de desagüe de los sujetadores en los soportes posteriores, como se muestra.



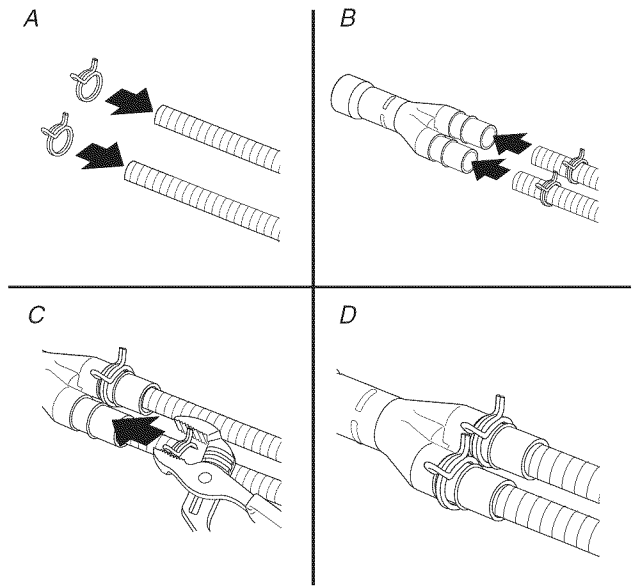
- Dirija la línea del suministro de agua y las mangueras de desagüe hacia el interior del armario.



- Deslice la lavavajillas dentro de la abertura del armario parcialmente. Deje espacio para tener acceso a la caja de terminales eléctricas.

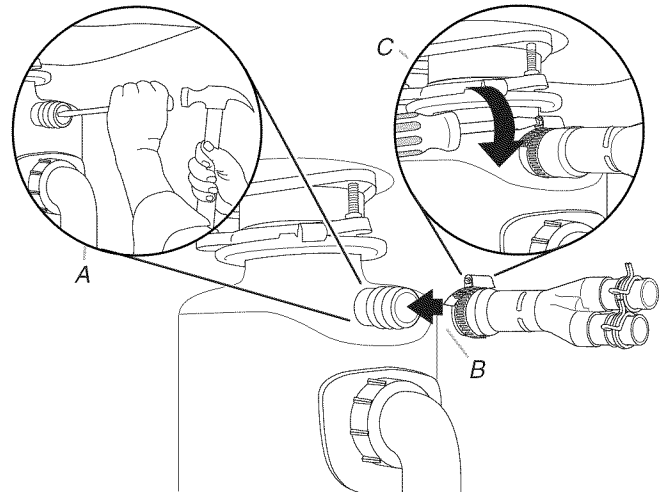


- 4. Deslice las abrazaderas a su posición (figuras C y D).



- 5. Conecte la manguera de desagüe siguiendo una de las opciones a continuación:

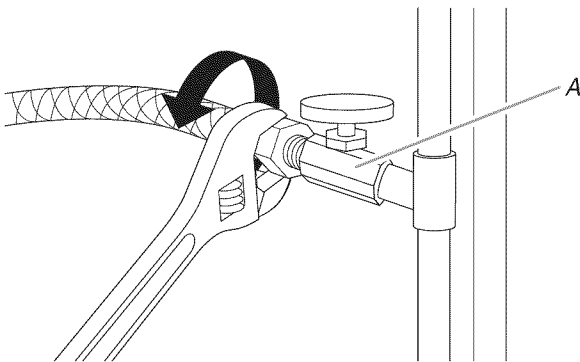
Opción 1: Recipiente de desechos sin purga de aire de desagüe



- A. Para una obra de construcción nueva, remueva el tapón del recipiente de desechos.
- B. Una el conector del desagüe al recipiente de desechos.
- C. Apriete la abrazadera

Conecte la línea de suministro de agua y las mangueras de desagüe

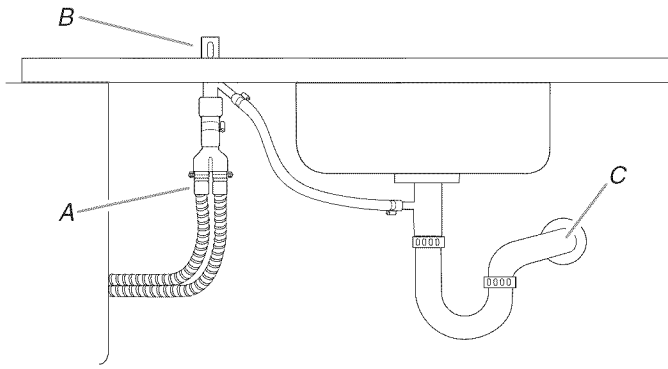
- 1. Conecte la línea del suministro de agua a la válvula de agua que se encuentra debajo del fregadero.



A. Suministro de agua caliente

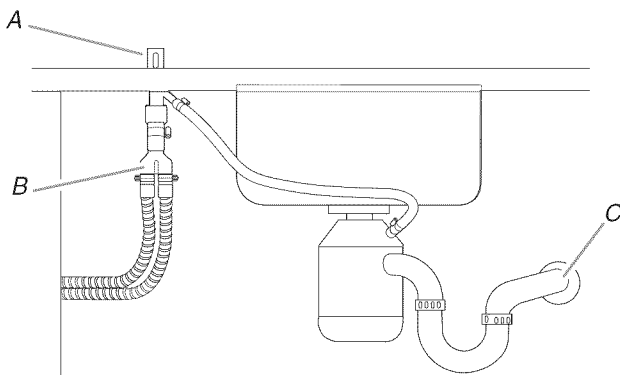
- 2. Deslice las abrazaderas en las mangueras de desagüe (figura A). No corte las mangueras de desagüe.
- 3. Conecte las mangueras al conector de desagüe en forma de "Y" hasta que encajen por completo (figura B). Se escucharán varios sonidos de "clic".

Opción 2: Sin recipiente de desechos pero con purga de aire de desagüe



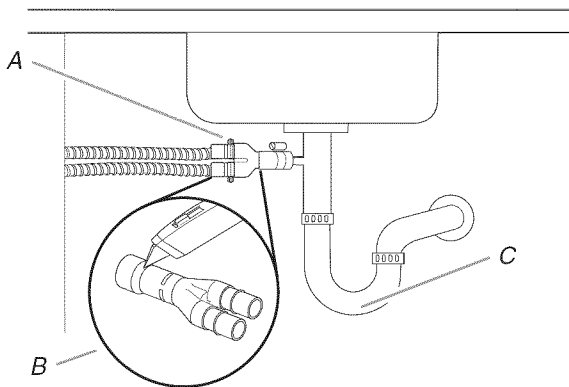
A. Conector de la manguera de desagüe
B. Purga de aire del desagüe
C. Tubo de desechos

Opción 3: Recipiente de desechos y purga de aire de desagüe



A. Conector de la manguera de desagüe
B. Purga de aire del desagüe
C. Tubo de desechos

Opción 4: Sin recipiente de desechos ni purga de aire de desagüe



A. Conector de la manguera de desagüe
B. Corte el conector del desagüe
C. Tubo de desechos

NOTA: Sujete el conector de la manguera de desagüe a la línea de desechos del agua usando la abrazadera para manguera provista.

6. Abra la llave del agua y revise si hay fugas.

Conexión del suministro eléctrico

⚠ ADVERTENCIA

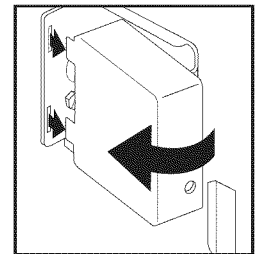
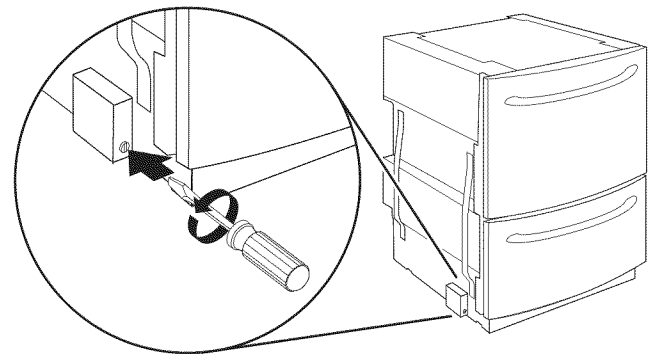


Peligro de Choque Eléctrico

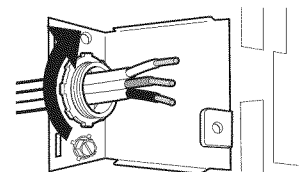
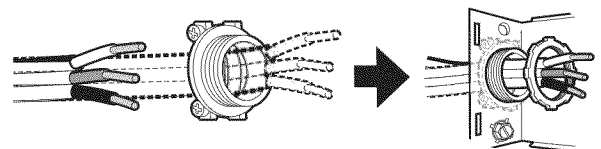
Desconecte el suministro de energía en la caja de fusibles o cortacircuitos antes de instalar la lavavajillas.

No seguir esta instrucción puede ocasionar la muerte o choque eléctrico.

1. Quite el tornillo que sujeta la tapa de la caja eléctrica. Quite la tapa.



2. Dirija los cables eléctricos a través del protector de cables y sujételos a la placa eléctrica.



⚠ ADVERTENCIA



Peligro de Choque Eléctrico

Conecte a tierra la lavavajillas.

Conecte el alambre de conexión a tierra al conector verde de conexión a tierra en la caja de conexiones.

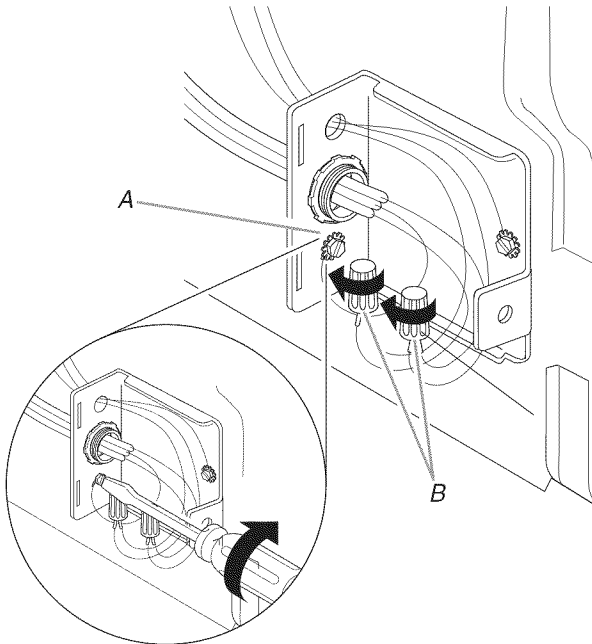
No use extensiones eléctricas.

No seguir estas instrucciones puede ocasionar la muerte, incendio o choque eléctrico.

3. Conecte los cables como se describe a continuación, usando ataduras en los conectores del tamaño adecuado para conectar el cable directo al cable de la lavavajillas de calibre 16.

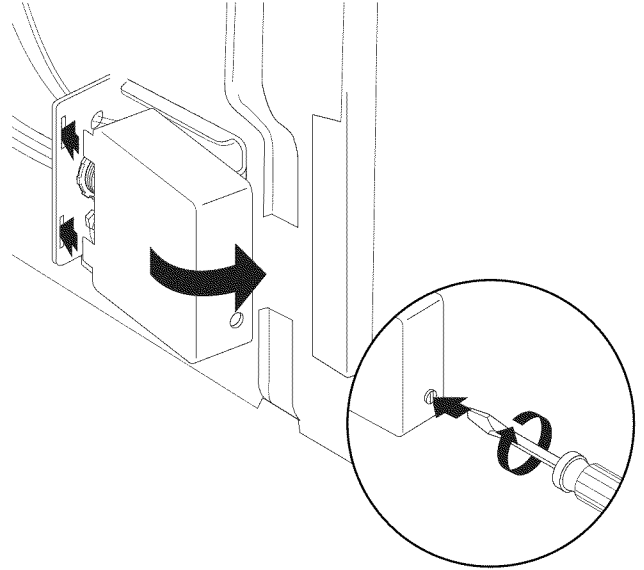
Cable de suministro eléctrico:		Cable de la caja de terminales:
blanco	↔	blanco
negro	↔	negro
hilo de puesta a tierra	↔	conector de puesta a tierra

4. Conecte el alambre de conexión a tierra al tornillo verde de conexión a tierra.



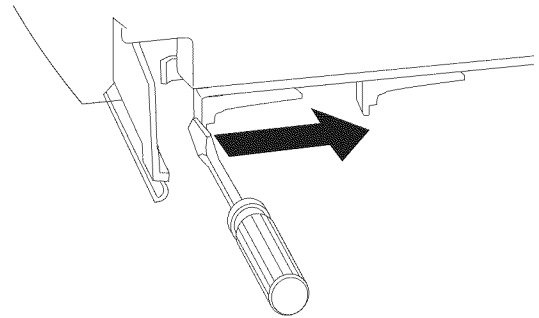
A. Sujete el alambre de conexión a tierra al tornillo verde.
B. Conecte el alambre blanco y el negro.

5. Vuelva a colocar la tapa de la caja eléctrica con todos los alambres dentro de la caja de terminales.

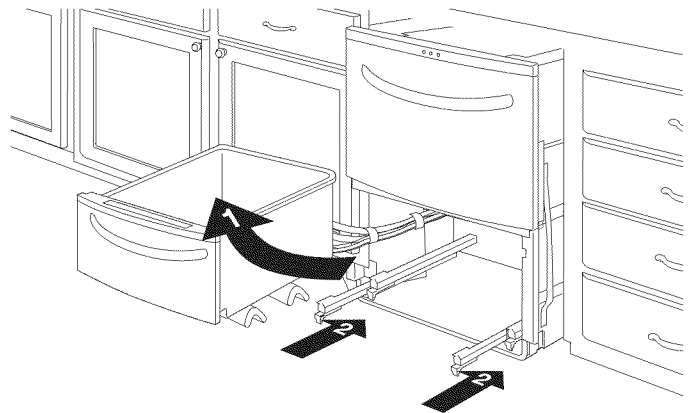


Instale las piezas del marco y nivele la lavavajillas

1. Abra el cajón inferior.
2. Empuje hacia dentro los sujetadores y deslice los rieles 5" (12,7 cm) hacia dentro.

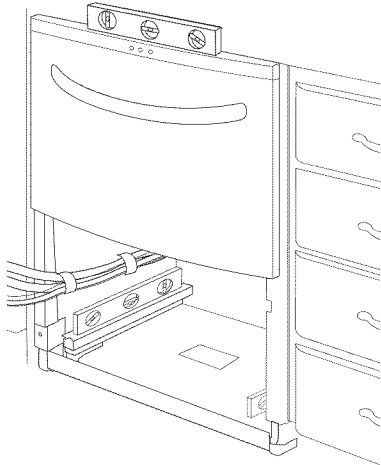


3. Levante y quite el cajón de los rieles deslizables. Coloque el cajón a la izquierda, sobre una cubierta. Deslice los rieles dentro de la lavavajillas.

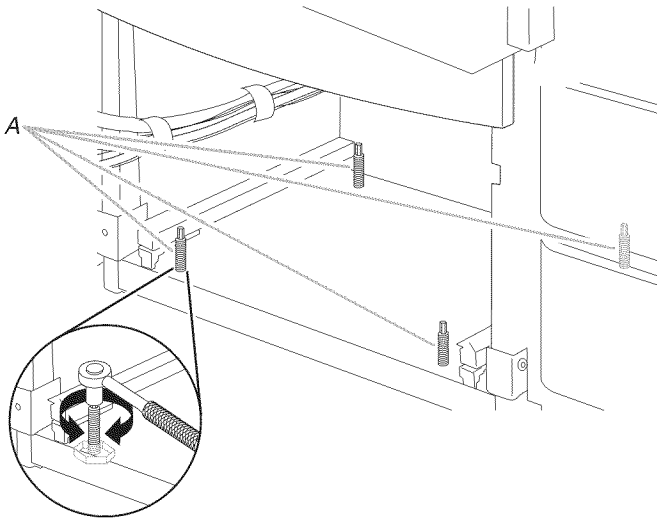


4. Deslice la lavavajillas a su posición en la abertura del armario. Revise que la manguera de desagüe y el cableado eléctrico no estén retorcidos.

5. Revise la nivelación de izquierda a derecha colocando el nivel encima del cajón. Revise la nivelación de atrás hacia adelante colocando el nivel sobre los rieles deslizables.

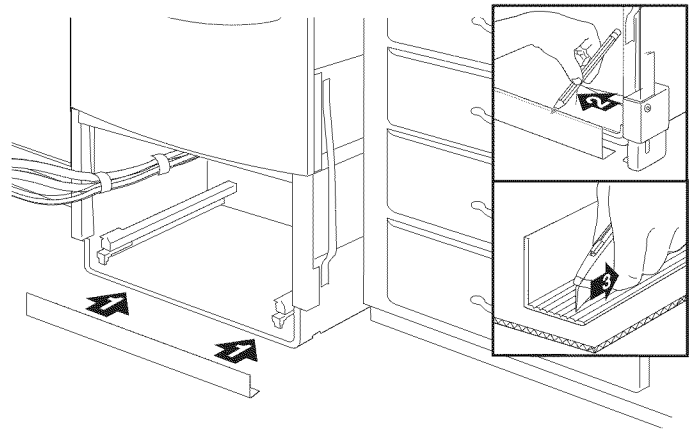


6. Para nivelar la lavavajillas, ajuste las patas con una llave de tubo de $\frac{3}{16}$ ".

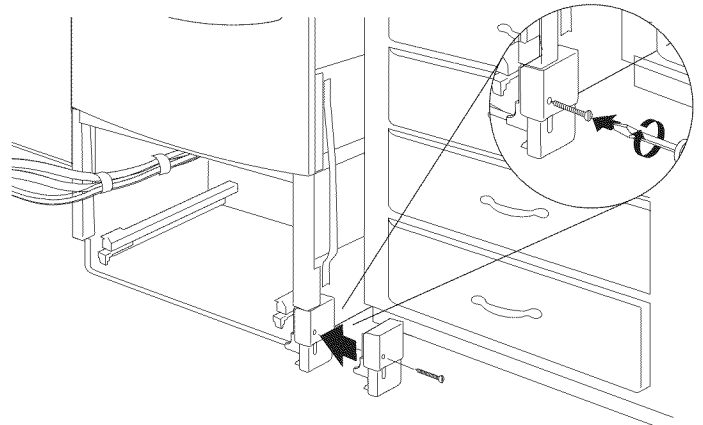


A. Regule las patas.

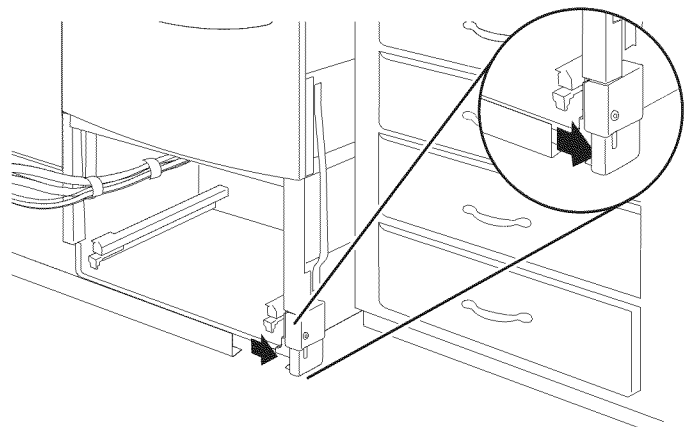
7. Coloque la tira de adorno en el piso y haga una marca en el mismo, en la parte superior del largo del reborde del marco. Elija la ranura más cercana a la marca. Si la marca se encuentra entre dos ranuras, elija la ranura que hace la tira de adorno más corta. Sobre una superficie cubierta, corte la tira de adorno a la altura de la ranura elegida. Jale la lavavajillas hacia atrás y fuera del armario aproximadamente 6" (15,24 cm).



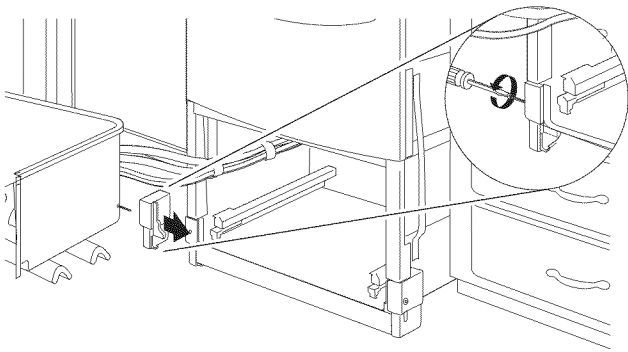
8. Sujete el soporte de la cubierta protectora al marco.



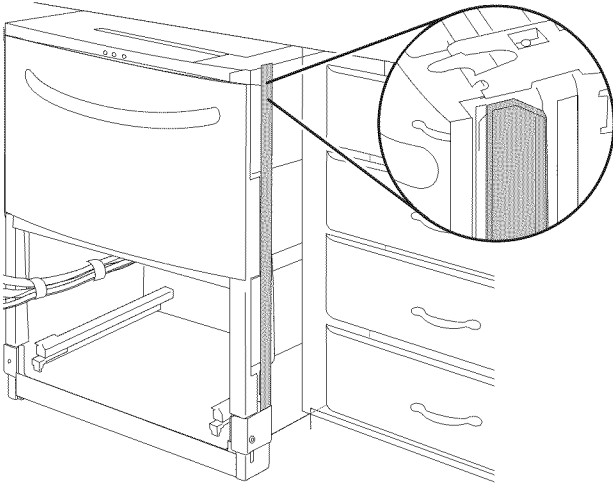
9. Coloque la tira de adorno en el soporte de la cubierta protectora.



10. Sujete el soporte de la cubierta protectora al lado contrario.



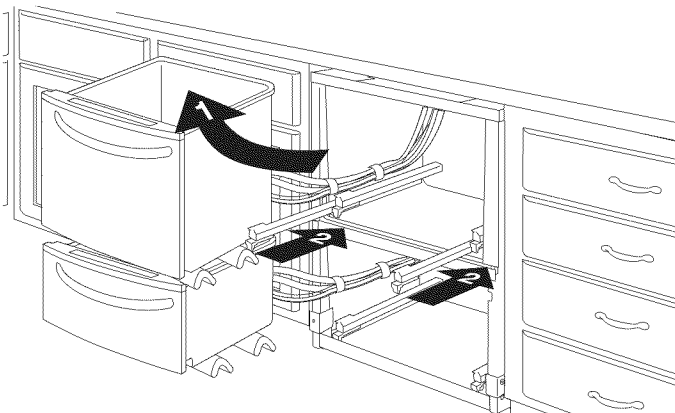
11. Coloque las tiras de adorno flexibles en ambos lados, como se muestra.



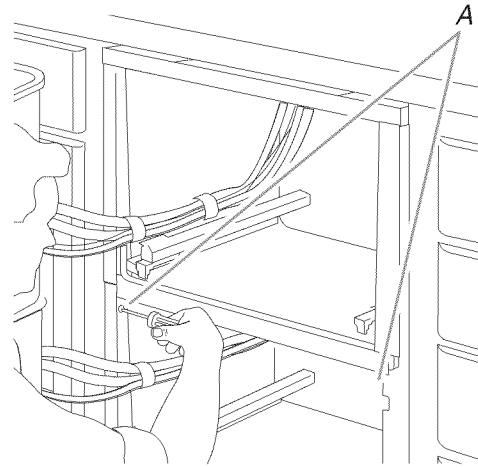
12. Deslice la lavavajillas nuevamente a su posición en la abertura del armario. Revise que la manguera de desagüe y el cableado eléctrico no estén retorcidos.

Cómo asegurar los cajones de lavado

1. Quite el cajón superior (se sigue el mismo procedimiento para quitar el cajón inferior), y colóquelo sobre el cajón inferior, separándolos con los esquineros del embalaje.



2. Sujete la lavavajillas al soporte de montaje inferior de la carcasa (el cual se instaló anteriormente).

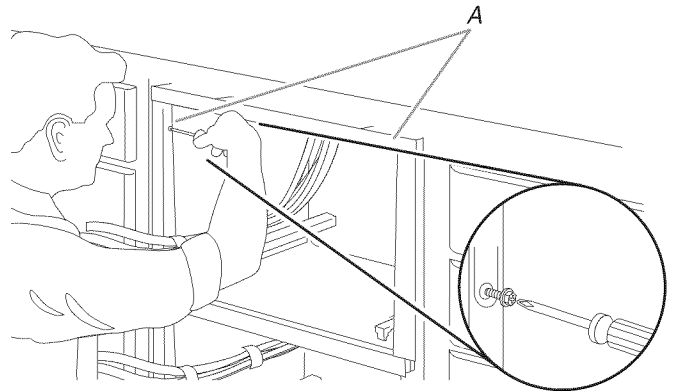


A. Sujete la lavavajillas al soporte de montaje inferior de la carcasa.

3. Sujete la lavavajillas a los soportes de montaje superiores de la carcasa.

Opción 1: Mostrador de superficie sólida

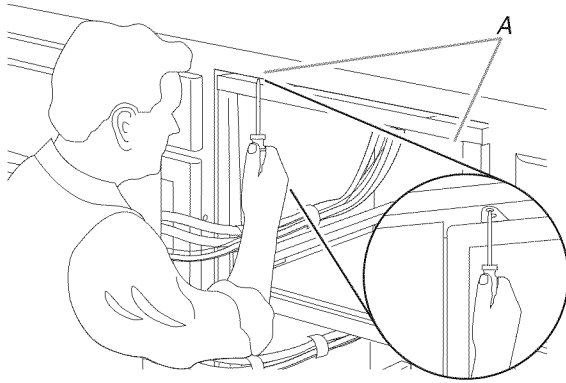
■ Sujete la lavavajillas a los soportes de montaje lateral de la carcasa (el cual se instaló anteriormente).



A. Sujete la lavavajillas a los soportes de montaje laterales de la carcasa.

Opción 2: Mostrador de madera

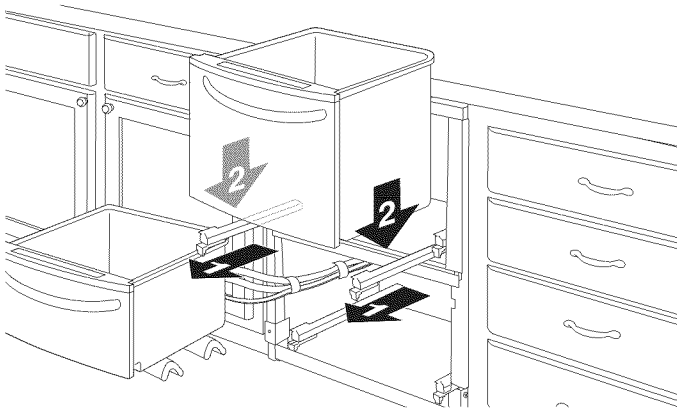
- Sujete la lavavajillas al mostrador usando las lengüetas de montaje dobladas, ubicadas en la parte superior de la lavavajillas.



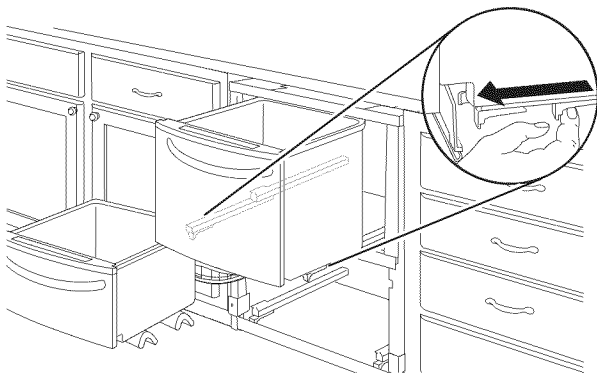
A. Sujete la lavavajillas al mostrador usando las lengüetas de montaje dobladas.

Complete la instalación

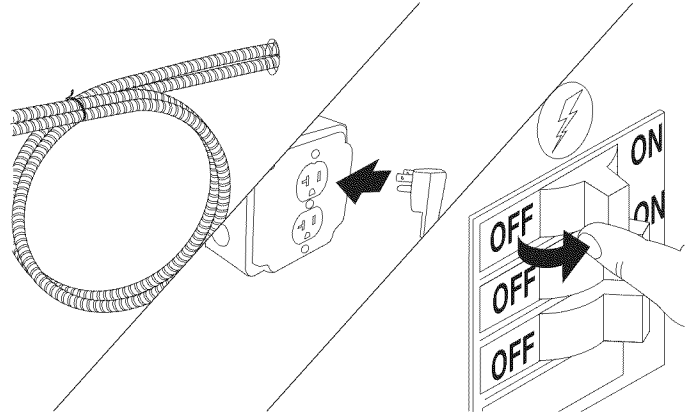
1. Jale hacia afuera los rieles deslizables del cajón superior y coloque el cajón superior en los mismos.



2. Jale hacia adelante los rieles deslizables hasta que encajen en su posición.



3. Empuje el cajón superior hacia adentro y repita los pasos anteriores con el cajón inferior.
4. En la carcasa que se encuentra debajo del fregadero, enrosque la manguera de desagüe que sobre y amárrela con una atadura. Enchufe la lavavajillas o reconecte el suministro de energía.



6. Seleccione el ciclo Rinse Only (Sólo enjuague) y presione START/RESUME (Inicio/Reanudar). Espere a que la lavavajillas se llene y lleve a cabo el enjuague y el desagüe. Revise si hay fugas. Si encuentra fugas, asegure la conexión y repita este paso.

Si necesita ayuda o servicio técnico:

Sírvase consultar la sección "Ayuda o servicio técnico" de las Instrucciones para el usuario o póngase en contacto con el distribuidor en donde usted compró la lavavajillas.

INSTRUCCIONES DE INSTALACIÓN DE LOS PANELES A LA MEDIDA

Paneles de los cajones a la medida

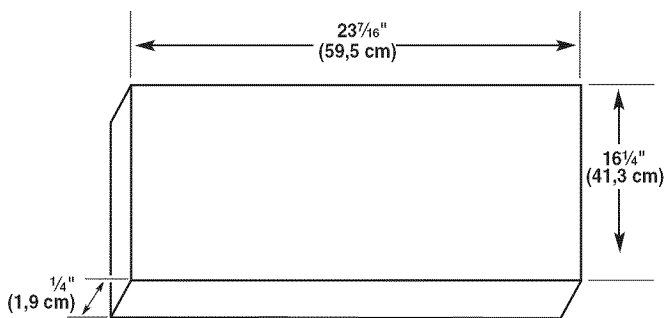
Si va a instalar paneles de madera a la medida, deberá hacerlos usted mismo o consultar un carpintero o fabricante de armarios calificado. Para obtener información acerca de las especificaciones de los paneles, vea los gráficos dimensionales.

IMPORTANTE:

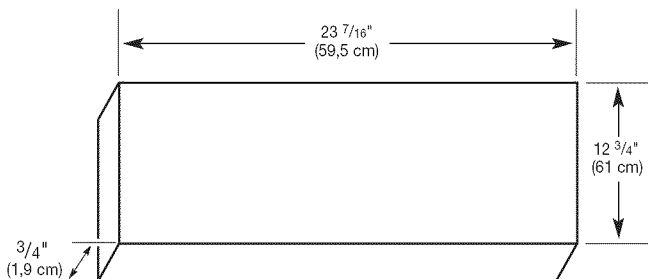
- El grosor del panel a la medida debe ser de $\frac{1}{2}$ " (12,7 mm) a $\frac{3}{4}$ " (19,05 mm).
- No sobrepase la medida de altura establecida para el(los) panel(es) a la medida(s). El(Los) panel(es) que sobrepasa(n) la medida de altura puede(n) dañar la lavavajillas de cajón, los armarios o el mostrador.
- El ancho del panel o los paneles a la medida puede variar de acuerdo con el ancho de la abertura del armario.

Dimensiones del panel a la medida

Panel del cajón superior



Panel del cajón inferior

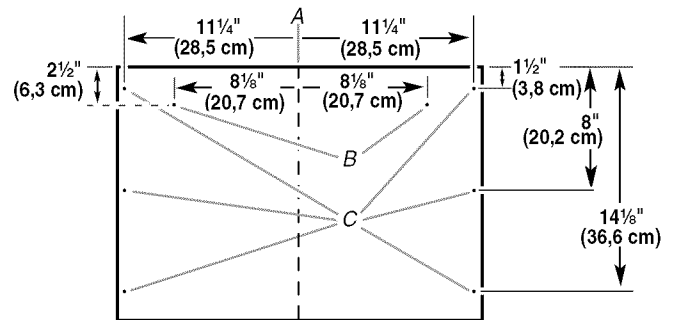


Instalación de los herrajes

Centre los herrajes (de izquierda a derecha) sobre el panel a la medida. Asegúrese al instalar los herrajes que los tornillos de montaje estén al ras con la parte trasera del panel o los paneles a la medida.

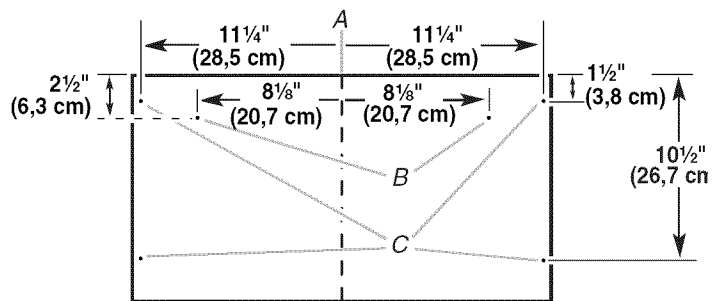
Preparación de los paneles a la medida

1. Coloque los paneles a la medida (superior e inferior) boca abajo en una superficie limpia y blanda.
2. Con un lápiz, marque los puntos centrales para los 2 orificios guía de los sujetadores de los paneles y los 6 orificios guía del panel superior.



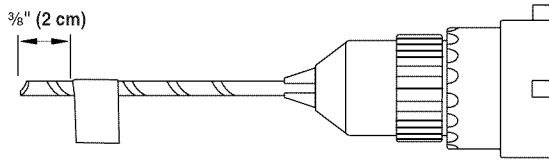
- A. Línea central
- B. Orificios guía para el sujetador del panel (2)
- C. Orificios guía (6)

3. Marque los puntos centrales para los orificios guía de los 2 sujetadores de los paneles y los 4 orificios guía necesarios para el panel inferior.



- A. Línea central
- B. Orificios guía para el sujetador del panel (2)
- C. Orificios guía (4)

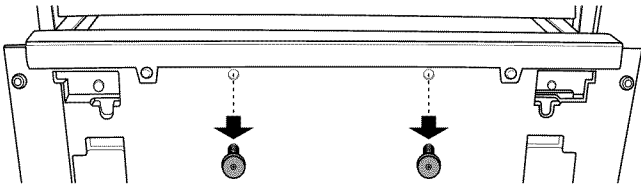
- Con un taladro de $\frac{1}{8}$ " , haga cada orificio de una profundidad de $\frac{3}{8}$ " (1 cm).



IMPORTANTE: No taladre más de $\frac{3}{8}$ " (1 cm) de profundidad, o podría taladrar hasta atravesar el frente del panel.

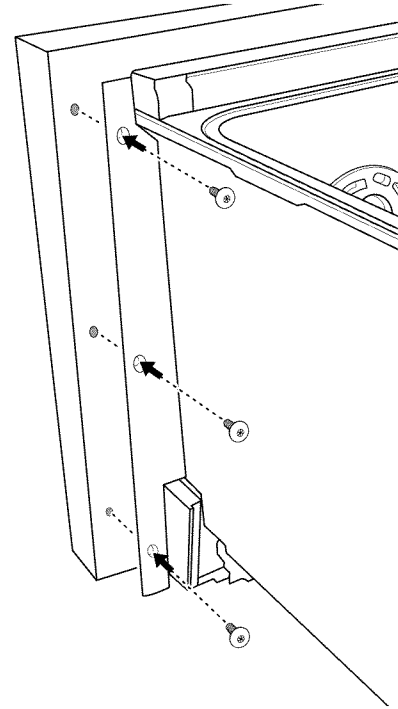
Cómo instalar los sujetadores del panel

- Quite los dos sujetadores de los paneles de la puerta interior del cajón superior.



- Atornille los 2 sujetadores del panel en los orificios guía para los sujetadores del panel a la medida.
- Repita los pasos 1 y 2 para el cajón inferior.

- Usando los tornillos provistos, asegure el panel a la medida a la puerta interior atornillando a través de la misma, hasta los orificios guía de $\frac{1}{8}$ " (3,175 mm).

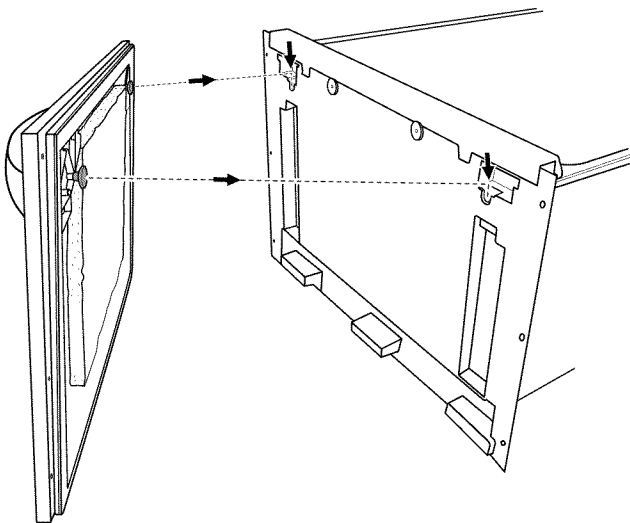


- Repita los pasos 1 a 3 para el cajón inferior.

NOTA: Solo habrán 4 orificios guía (2 en la izquierda y 2 en la derecha), para el cajón inferior.

Cómo montar el panel a la medida

- Para colocar el panel a la medida superior en el cajón, alinee los sujetadores del panel a las 2 ranuras de cerradura e inserte el panel.



- Para asegurar el panel a la medida al cajón, ponga presión sobre el panel hasta que la parte superior del panel a la medida esté alineada con la parte superior del panel de control.

SÉCURITÉ DU LAVE-VAISSELLE

Votre sécurité et celle des autres est très importante.

Nous donnons de nombreux messages de sécurité importants dans ce manuel et sur votre appareil ménager. Assurez-vous de toujours lire tous les messages de sécurité et de vous y conformer.



Voici le symbole d'alerte de sécurité.

Ce symbole d'alerte de sécurité vous signale les dangers potentiels de décès et de blessures graves à vous et à d'autres.

Tous les messages de sécurité suivront le symbole d'alerte de sécurité et le mot "DANGER" ou "AVERTISSEMENT". Ces mots signifient :

⚠ DANGER

Risque possible de décès ou de blessure grave si vous ne suivez pas immédiatement les instructions.

⚠ AVERTISSEMENT

Risque possible de décès ou de blessure grave si vous ne suivez pas les instructions.

Tous les messages de sécurité vous diront quel est le danger potentiel et vous disent comment réduire le risque de blessure et ce qui peut se produire en cas de non-respect des instructions.

IMPORTANTES INSTRUCTIONS DE SÉCURITÉ

AVERTISSEMENT : Lors de l'utilisation du lave-vaisselle, suivre les précautions élémentaires dont les suivantes :

- Lire la totalité des instructions avant d'utiliser le lave-vaisselle.
- N'utiliser le lave-vaisselle que pour laver la vaisselle.
- Utiliser les détergents ou agents de rinçage recommandés pour lave-vaisselle et les garder hors de la portée des enfants.
- Lorsque vous chargez le lave-vaisselle :
 - 1) Placer les objets coupants de façon qu'ils ne puissent endommager le joint de la porte; et
 - 2) Placer les couteaux le manche vers le haut de façon à ne pas vous couper.
- Ne pas laver d'articles en plastique à moins qu'ils ne soient marqués "Peut aller au lave-vaisselle" ou l'équivalent. Si l'article ne porte aucune indication, vérifier auprès du fabricant.
- Ne pas toucher l'élément chauffant pendant le fonctionnement ou immédiatement après.
- Ne pas faire fonctionner le lave-vaisselle si tous les panneaux de l'enceinte ne sont pas en place.
- Ne pas jouer avec les commandes.
- Ne pas abuser, vous asseoir ni monter sur la porte, le couvercle ou les paniers du lave-vaisselle.
- Pour éviter tout risque d'accident, ne pas laisser les enfants jouer dans ou sur le lave-vaisselle.
- Sous certaines conditions, de l'hydrogène peut se former dans un réseau d'eau chaude inutilisé depuis deux semaines ou plus. L'HYDROGÈNE EST UN GAZ EXPLOSIBLE. Si le système d'eau chaude n'a pas été utilisé depuis un certain temps, laisser couler l'eau chaude des robinets pendant quelques minutes avant de faire fonctionner le lave-vaisselle. Cette mesure permettra à l'hydrogène de s'évaporer. Ce gaz étant inflammable, ne pas fumer ni utiliser de flamme nue pendant cette période.
- Enlever la porte ou le couvercle du compartiment de lavage lorsque vous remplacez ou mettez au rebut un vieux lave-vaisselle.

CONSERVEZ CES INSTRUCTIONS

⚠ AVERTISSEMENT



Risque de basculement

Ne pas ouvrir le tiroir du lave-vaisselle jusqu'à ce qu'il soit placé à l'intérieur de l'ouverture du placard.

Le non-respect de ces instructions peut causer un décès ou des blessures graves.

Opérations à exécuter :

- Ouvrir lentement le tiroir du lave-vaisselle tandis qu'une autre personne saisit/retient l'arrière du lave-vaisselle. Retirer les matériaux d'emballage. Fermer le tiroir du lave-vaisselle. Verrouiller le tiroir du lave-vaisselle.
- Respecter les prescriptions de tous les codes et règlements en vigueur.
- Installer le lave-vaisselle conformément aux présentes instructions.
- Veiller à disposer de tout ce qui est nécessaire pour l'installation correcte du lave-vaisselle.
- Contacter un installateur qualifié pour garantir que l'installation du lave-vaisselle soit exécutée conformément aux prescriptions de tous les codes et règlements nationaux et locaux régissant les installations électriques et de plomberie en vigueur.

EXIGENCES D'INSTALLATION

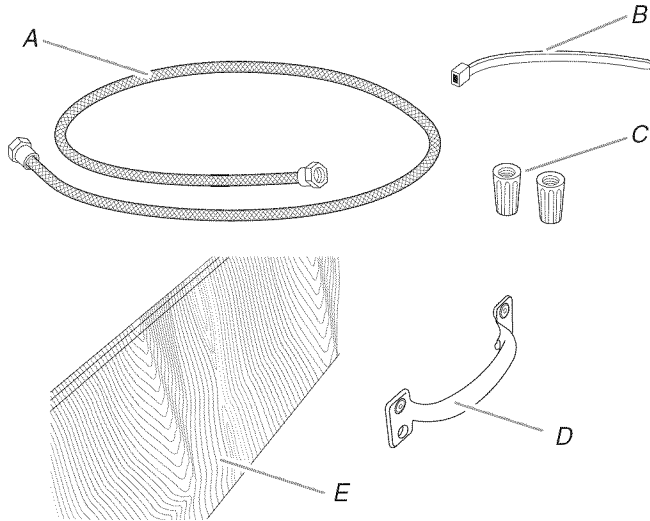
Outillage et composants

Rassembler les outils et pièces nécessaires avant de commencer l'installation. Lire et suivre les instructions fournies avec les outils indiqués ici.

Outillage nécessaire

- Pince
- Tournevis Philips
- Tournevis à lame plate
- Douilles hexagonales/ tourne-écrou - 3/16" et 1/4"
- Mètre ruban ou règle
- Scie à trou - 1 1/2"
- Clé à molette - 10"
- Couteau utilitaire
- Niveau
- Perceuse électrique
- Foret de - 1/8"
- Tournevis TORX®† T-20 (pour l'installation de panneaux de façade personnalisés)

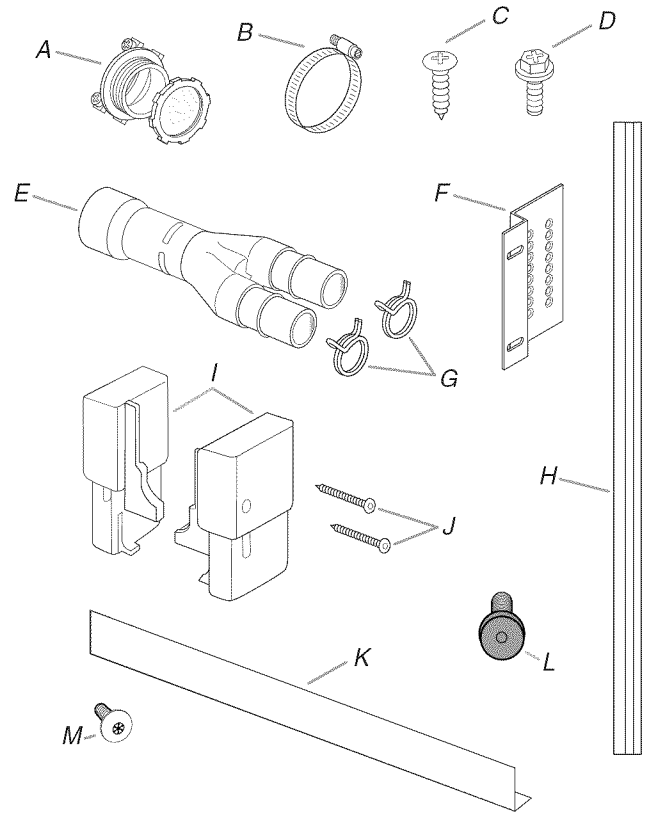
Composants nécessaires



- A. Tuyau d'arrivée d'eau flexible 72" (182.9 cm)
- B. Attache en plastique
- C. Connecteurs de fils de taille appropriée - homologation UL (2)
- D. Pièces de quincaillerie (pour l'installation de panneaux de façade personnalisés)
- E. Panneau personnalisé (pour l'installation de panneaux de façade personnalisés)

Pièces fournies

Vérifier la présence de toutes les pièces.



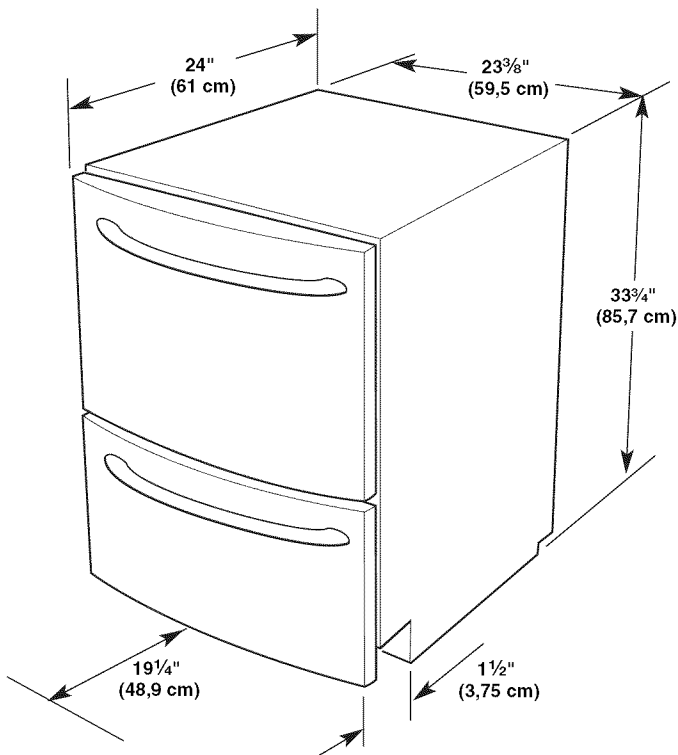
- A. Serre-câble 3/4" - homologation UL
- B. Bride de tuyau 1,25"
- C. Vis de montage des brides (8)
- D. Vis de fixation de l'appareil (4)
- E. Raccord Y pour tuyau d'évacuation
- F. Brides de montage (4)
- G. Brides de tuyau pour tuyau d'évacuation
- H. Cornières de garniture (2)
- I. Brides pour cornière de plinthe
- J. Vis - fixation des brides de la cornière de plinthe (2)
- K. Cornière de plinthe (2)
- L. Vis de fixation de panneau (certains modèles [2])
- M. Vis TORX®† (certains modèles [2])

Exigences d'emplacement

IMPORTANT : Observer les dispositions de tous les codes et règlements en vigueur. Le non-respect de ces codes et règlements pourrait entraîner un incendie ou un choc électrique. C'est à l'utilisateur du produit qu'incombe la responsabilité de réaliser une installation correcte.

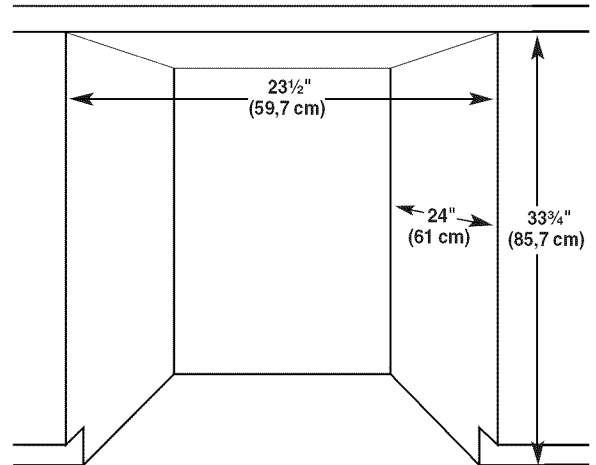
- Contacter un installateur qualifié pour garantir que l'installation du lave-vaisselle soit exécutée conformément aux prescriptions de tous les codes locaux et nationaux en vigueur régissant les installations d'électricité et de plomberie.
- Réaliser l'installation du lave-vaisselle tel que spécifié dans ces instructions.
- Veiller à disposer de tous les outils et composants nécessaires pour l'installation du lave-vaisselle.
- Gardez les lignes de lave-vaisselle et de flottaison menant au lave-vaisselle à partir de la congélation. Des dommages de la congélation ne sont pas couverts par la garantie.
- Ce lave-vaisselle est conçu et fabriqué uniquement pour une utilisation à l'intérieur.
- Installer le lave-vaisselle d'aplomb en un endroit approprié sur un sol capable d'en soutenir le poids compte tenu de sa taille et de son utilisation.

Dimensions du produit

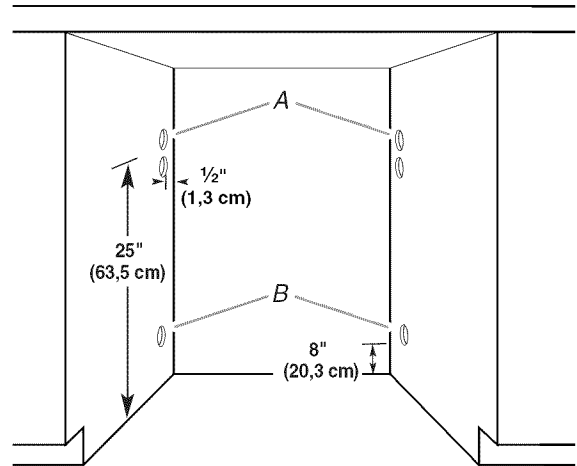


Distances de dégagement à respecter

Dimensions de l'espace d'installation



Emplacements préférentiels pour le passage des tuyaux et du câble



A. Choisir la position d'installation des tuyaux d'arrivée d'eau et d'évacuation - à gauche ou à droite.

B. Choisir la position d'installation du câblage électrique - à gauche ou à droite.

REMARQUE : Diamètre de 1¹/₂" (3,8 cm) pour tous les trous.

Spécifications de l'alimentation en eau

- Canalisation d'eau chaude avec pression de 20-120 lb/po² (138-862 kPa).
- Admission dans le lave-vaisselle d'eau à température de 120°F (49°C).
- Conduit flexible tressé avec repères de remplissage (l'usage d'un tube de plastique d'un minimum de 1/2" est déconseillé).

Spécifications électriques

⚠ AVERTISSEMENT



Risque de choc électrique

Brancher sur une prise à 3 alvéoles reliée à la terre.

Ne pas enlever la broche de liaison à la terre.

Ne pas utiliser un adaptateur.

Ne pas utiliser un câble de rallonge.

Le non-respect de ces instructions peut causer un décès, un incendie ou un choc électrique.

INSTRUCTIONS DE MISE À LA TERRE

■ Pour un lave-vaisselle relié à la terre, branché avec un cordon :

Le lave-vaisselle doit être relié à la terre. En cas d'un mauvais fonctionnement ou d'une panne, la mise à terre réduira le risque d'un choc électrique en fournissant le moins de résistance pour le courant électrique. Le lave-vaisselle est équipé d'un cordon avec un conducteur pour relier les appareils à la terre. La fiche doit être branchée sur une prise appropriée, installée et reliée à la terre conformément aux codes et règlements locaux.

AVERTISSEMENT : La connexion incorrecte du conducteur pour relier les appareils à la terre peut causer le risque de choc électrique. Vérifier avec un électricien compétent ou un représentant de service si vous avez des doutes si le lave-vaisselle est correctement relié à la terre. Ne pas modifier la fiche fournie avec le lave-vaisselle; si elle n'entre pas dans la prise, faire installer une prise appropriée par un électricien compétent.

■ Pour un lave-vaisselle branché en permanence :

Le lave-vaisselle doit être branché à un système d'installation électrique permanent en métal relié à la terre, ou un conducteur pour relier les appareils à la terre doit être relié avec les conducteurs du circuit et branché à une borne pour relier les appareils à la terre ou au cordon d'alimentation électrique avec le lave-vaisselle.

CONSERVEZ CES INSTRUCTIONS

Contactez un électricien qualifié.

Vérifier que le circuit d'alimentation disponible est adéquat et conforme aux prescriptions de tous les codes et règlements nationaux et locaux en vigueur.

Caractéristiques de la source d'électricité nécessaire :

- 120 V, 60 Hz, CA, fusible de 15 ou 20 A.
- Conducteurs de cuivre seulement.

Nous recommandons :

- Fusible temporisé ou disjoncteur.
- Alimentation par un circuit distinct.

Raccordement direct du lave-vaisselle :

- Utiliser un câble flexible à conducteurs de cuivre, avec gaine métallique ou non métallique et conducteur de raccordement à la terre, qui satisfait aux exigences des codes et règlements locaux en vigueur.
- Utiliser le serre-câble fourni pour le raccordement le boîtier de raccordement de la maison, ou installer un serre-câble (homologation UL/CSA) sur le boîtier de raccordement de la maison. Dans le cas de l'utilisation de conduit, utiliser un connecteur de conduit (homologation UL/CSA).

Branchement de l'appareil à l'aide d'un cordon d'alimentation :

- Utiliser le cordon d'alimentation (pièce n° 4317824) conçu pour l'utilisation avec un lave-vaisselle; cet ensemble comporte :
 - Cordon d'alimentation à 3 conducteurs de calibre 16, avec fiche de branchement à 3 broches, pour liaison à la terre - homologation UL (Votex, Inc.).
 - Serre-câble de 7/8" (Neer, C-500).
 - 3 connecteurs de fils
 - Passe-fil (pièce n° 302797).

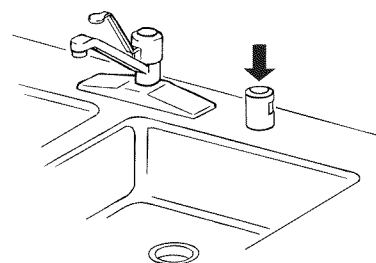
Pour l'installation du cordon d'alimentation, exécuter les instructions fournies avec l'ensemble.

- La fiche du cordon d'alimentation doit être branchée sur une prise de courant de même configuration, à 3 alvéoles, reliée à la terre, installée dans le placard à côté de l'espace d'installation du lave-vaisselle. La prise de courant doit satisfaire les prescriptions de tous les codes et règlements locaux en vigueur.

IMPORTANT : Si on envisage l'installation d'un broyeur à déchets, un circuit électrique additionnel est également nécessaire - 120 V, 60 H, CA seulement, fusible de 15 ou 20 A seulement.

Spécifications de la vidange

- Utiliser le tuyau d'évacuation neuf fourni avec l'appareil. Si la longueur de ce tuyau n'est pas suffisante, utiliser un autre tuyau d'évacuation avec longueur maximale de 12 pi (3,7 m), conforme aux prescriptions de la norme AHAM/IAPMO, résistant à la chaleur et au détergent, et compatible avec le raccord de connexion de 1" (2,5 cm) du lave-vaisselle.
- Connecter le tuyau d'évacuation sur un raccord T ou à l'entrée du broyeur à déchets au-dessus du siphon du circuit d'évacuation de la maison et à au moins 20" (50,8 cm) au-dessus du plancher. On recommande de former une boucle avec le tuyau d'évacuation (arrimage avec une attache de plastique sous le plan de travail), ou de connecter le tuyau d'évacuation à un brise-vide.



- Si le tuyau d'évacuation doit être raccordé au circuit d'évacuation de la maison à moins de 20" (50,8 cm) au-dessus du sous-sol ou du sol, utiliser un brise-vide.
- Utiliser des raccords de diamètre interne de 1/2" (1,3 cm) ou plus.

INSTRUCTIONS D'INSTALLATION

⚠ AVERTISSEMENT



Risque de choc électrique

Interrompre l'alimentation électrique avant d'installer le lave-vaisselle (au niveau du tableau de distribution - fusible ou disjoncteur)

Le non-respect de cette instruction peut causer un décès ou un choc électrique.

1. Déconnecter la source de courant électrique.
2. Fermer l'alimentation en eau.

Déballer le tiroir à vaisselle

⚠ AVERTISSEMENT

Risque du poids excessif

Utiliser deux personnes ou plus pour déplacer et installer le lave-vaisselle.

Le non-respect de cette instruction peut causer une blessure au dos ou d'autre blessure.

1. Lire les informations importantes sur la surface extérieure de la boîte d'emballage avant d'ouvrir.
2. Ôter les matériaux d'emballage, le ruban adhésif et la pellicule protectrice du lave-vaisselle. Retirer le sachet de pièces de l'intérieur du lave-vaisselle.

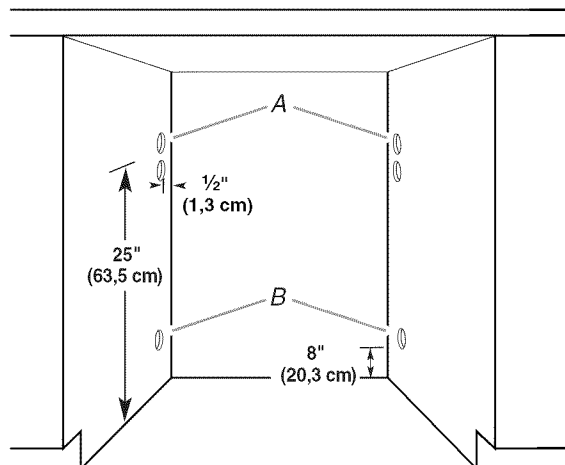
Aménagement de la cavité d'encastrement du placard

1. Pour s'assurer que les distances minimales de dégagement sont respectées :
 - Mesurer la distance entre le plan de travail du placard et le sol et veiller à ce que la hauteur minimale soit de $33\frac{3}{4}$ " (85,7 cm).
 - Mesurer la distance entre la surface avant du placard et le mur arrière et veiller à ce que la profondeur minimale soit de 24" (61 cm).
 - Mesurer la distance entre le côté gauche et le côté droit de la cavité d'encastrement et veiller à ce que la largeur minimale soit de $23\frac{1}{2}$ " (59,7 cm).

Option 1 : Installation du plan de travail en matériau robuste

- Fixer le second lot de brides de montage à $33\frac{1}{2}$ " (85 cm) du sol. Si nécessaire, percer des avant-trous de $\frac{1}{8}$ " dans le

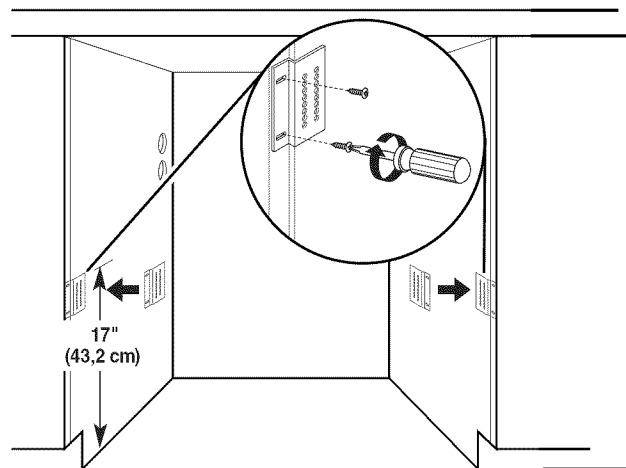
2. Percer des trous de $1\frac{1}{2}$ " (3,8 cm) de diamètre pour les tuyaux d'arrivée d'eau et d'évacuation, et pour le câblage électrique tel qu'illustré. Les trous doivent se trouver à $\frac{1}{2}$ " (1,3 cm) du mur arrière.



A. Choisir entre un acheminement des tuyaux de vidange et d'arrivée d'eau par la gauche ou par la droite.

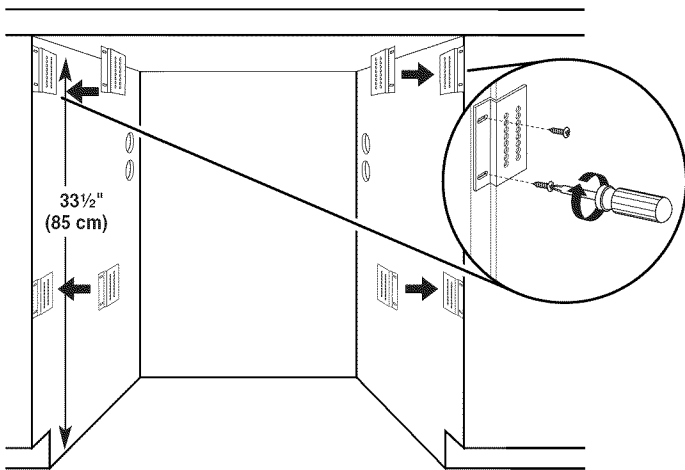
B. Choisir entre un acheminement du câblage électrique par la gauche ou par la droite.

3. Fixer les brides de montage à 17" (43,2 cm) du sol à l'aide des vis fournies. Si nécessaire, percer des avant-trous de $\frac{1}{8}$ " dans le placard.



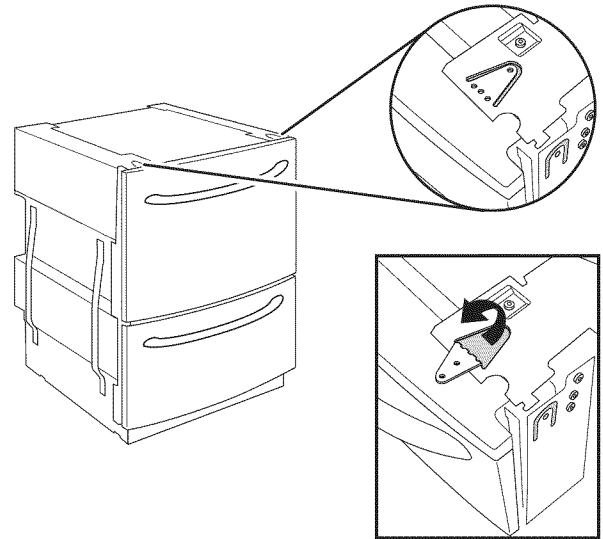
4. Déterminer la méthode de fixation à utiliser pour fixer le lave-vaisselle au comptoir.

placard.



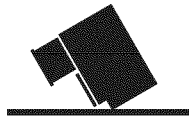
Option 2 : Installation du plan de travail en bois

- Préparer le lave-vaisselle en repliant les languettes situées sur la partie supérieure tel qu'illustré.



PRÉPARATION DU LAVE-VAISSELLE

⚠ WARNING



Tip Over Hazard

Do not open dishwasher drawer until inside cabinet opening.

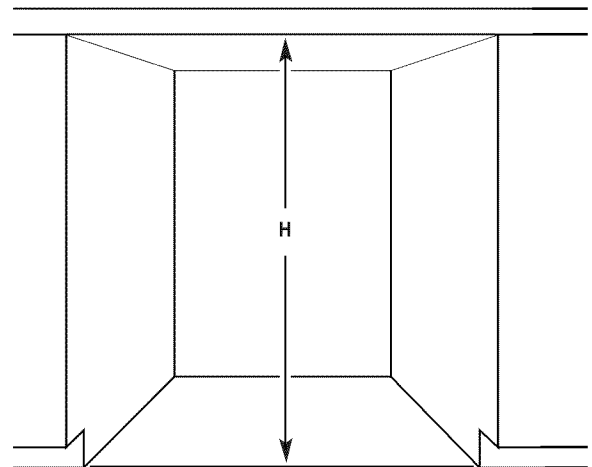
Doing so can result in death or serious injury.

⚠ WARNING

Excessive Weight Hazard

Use two or more people to move and install dishwasher.

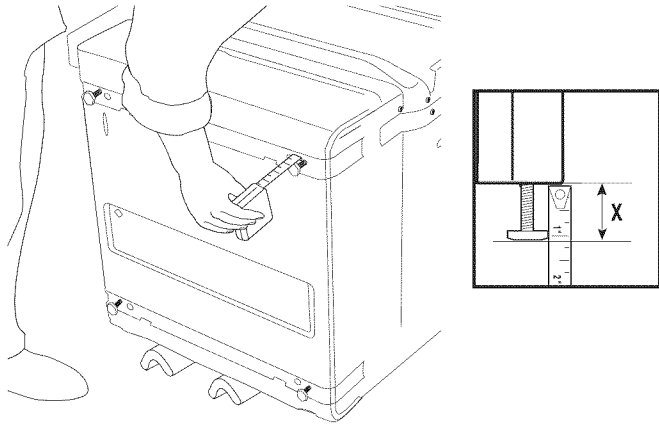
Failure to do so can result in back or other injury.



2. Placer l'emballage des coins du lave-vaisselle sur le sol et coucher le lave-vaisselle sur le 2.

1. Mesurer la hauteur de la cavité d'encastrement du placard, du sol au-dessous du plan de travail.

3. Régler les pieds de nivellement en fonction des mesures de la cavité du placard et du tableau ci-dessous.



H	: X	H	: X
33 $\frac{3}{4}$ " (85,7 cm)	: 0"	34 $\frac{1}{2}$ " (87,6 cm)	: $\frac{5}{8}$ " (1,6 cm)
34" (86,3 cm)	: $\frac{1}{8}$ " (0,3 cm)	34 $\frac{5}{8}$ " (87,9 cm)	: $\frac{3}{4}$ " (1,9 cm)
34 $\frac{1}{8}$ " (86,7 cm)	: $\frac{1}{4}$ " (0,6 cm)	34 $\frac{3}{4}$ " (88,3 cm)	: $\frac{7}{8}$ " (2,2 cm)
34 $\frac{1}{4}$ " (87 cm)	: $\frac{3}{8}$ " (1 cm)	34 $\frac{7}{8}$ " (88,6 cm)	: 1" (2,5 cm)
34 $\frac{3}{8}$ " (87,3 cm)	: $\frac{1}{2}$ " (1,3 cm)	35" (88,9 cm)	: 1 $\frac{1}{8}$ " (2,9 cm)

4. Mettre le lave-vaisselle en position verticale.

Acheminement du câblage électrique

⚠ AVERTISSEMENT



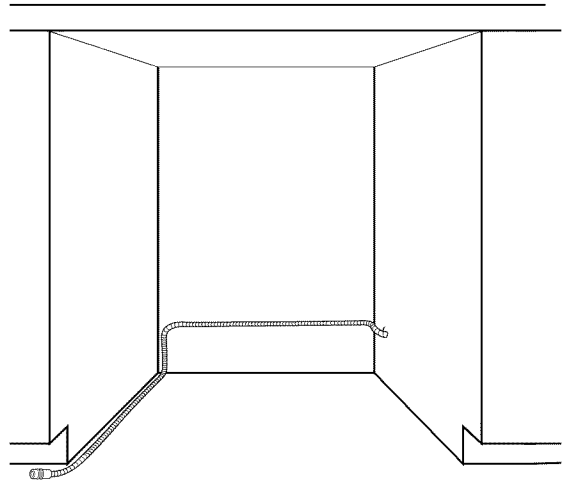
Risque de choc électrique

Interrompre l'alimentation électrique avant d'installer le lave-vaisselle (au niveau du tableau de distribution - fusible ou disjoncteur)

Le non-respect de cette instruction peut causer un décès ou un choc électrique.

Installer l'alimentation électrique du placard en respectant tous les codes et règlements nationaux et locaux en vigueur.

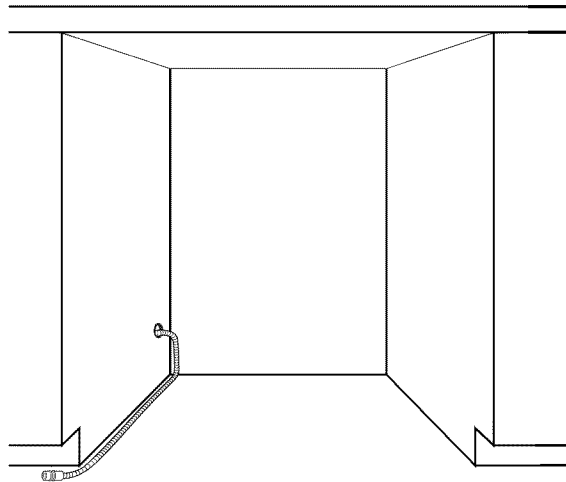
Option 1 : Acheminement du système électrique par la droite



Faire passer le câblage à travers un trou de 1 $\frac{1}{2}$ " (3,81 cm) placé à 8" (20,32 cm) au-dessus du sol.

Après avoir fait passer le câblage électrique à travers le trou droit, fixer le câblage au côté arrière-gauche de la paroi du placard à 8" (20,32 cm) au dessus du sol. Acheminer ensuite le câblage le long de la paroi gauche de la cavité d'encastrement du placard, jusque devant la cavité d'encastrement.

Option 2 : Acheminement du système électrique par la gauche

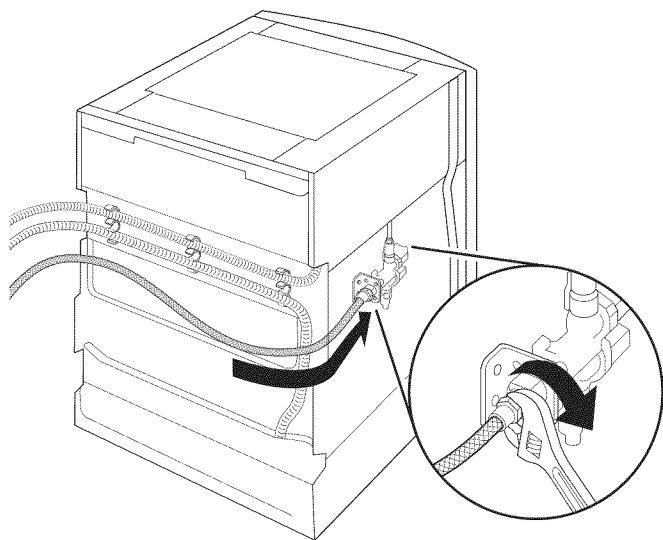


Faire passer le câblage à travers un trou de 1 $\frac{1}{2}$ " (3,81 cm) placé à 8" (20,32 cm) au-dessus du sol.

Après avoir acheminé le câblage électrique à travers le trou gauche, poursuivre l'acheminement du câblage le long de la paroi gauche du placard, jusque devant la cavité d'encastrement.

Acheminement du conduit d'alimentation en eau et du tuyau de vidange

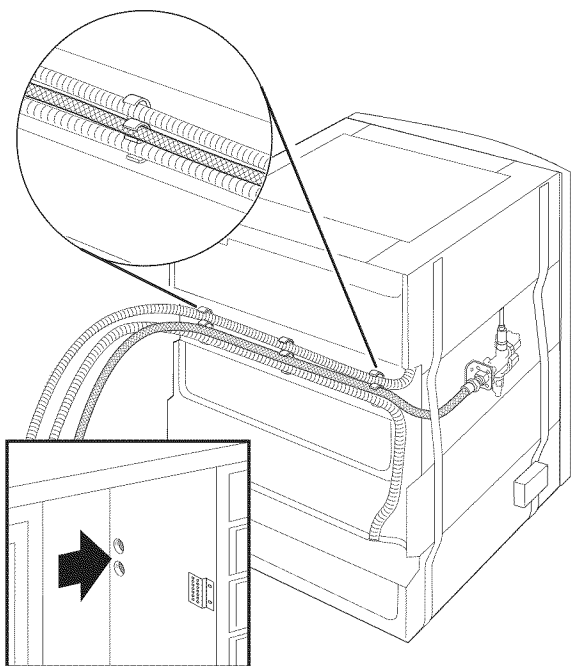
1. Raccorder le conduit d'alimentation en eau au robinet d'arrivée d'eau sur le lave-vaisselle.



2. Acheminer le conduit d'alimentation en eau et les tuyaux de vidange en fonction des spécificités de votre placard.

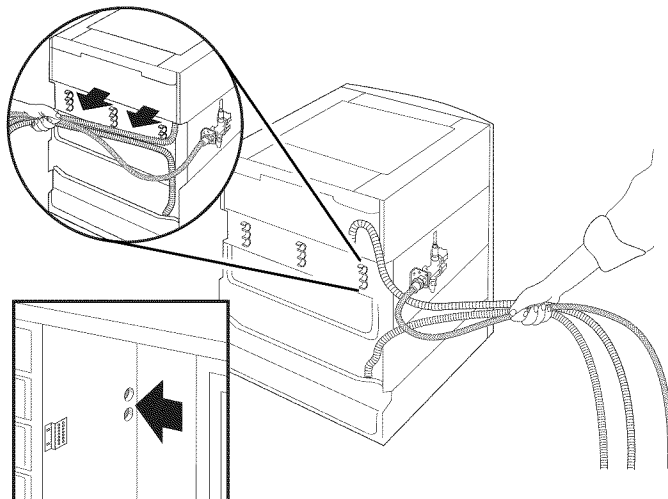
Option 1 : Accès au système électrique par la droite

- Pour un acheminement par la droite, les tuyaux de vidange sont livrés en position correcte. Placer le conduit d'alimentation en eau dans l'attache tel qu'illustré.

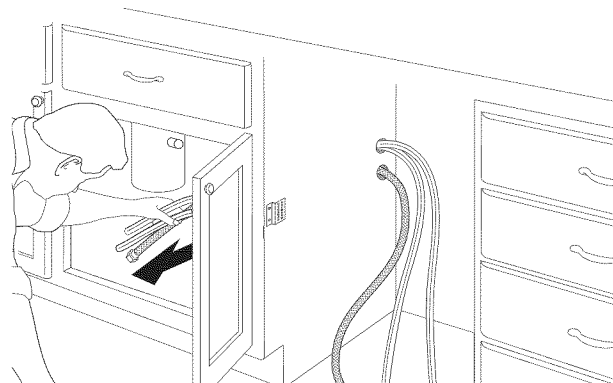


Option 2 : Accès au système électrique par la gauche

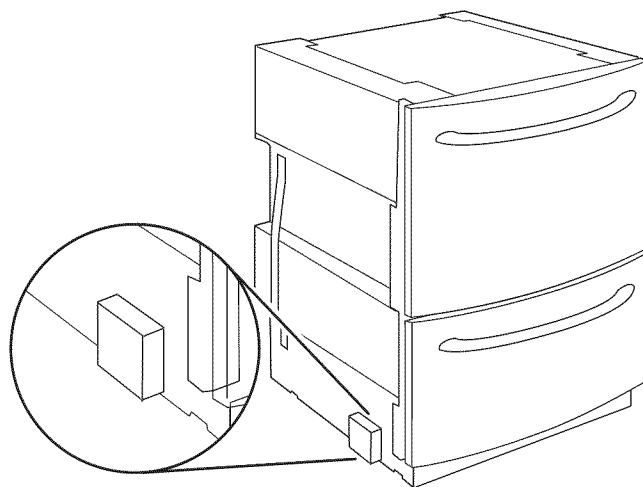
- Pour un acheminement par la gauche, retirer les tuyaux de vidange des attaches situées dans la bride arrière, tel qu'illustré.



- Acheminer le conduit d'alimentation en eau et les tuyaux de vidange jusqu'à l'intérieur du placard.

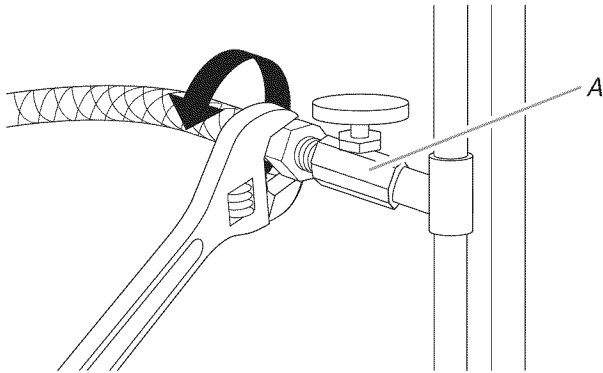


- Faire glisser le lave-vaisselle jusqu'à mi-chemin dans la cavité d'encastrement. L'accès au boîtier de connexion doit être laissé libre.



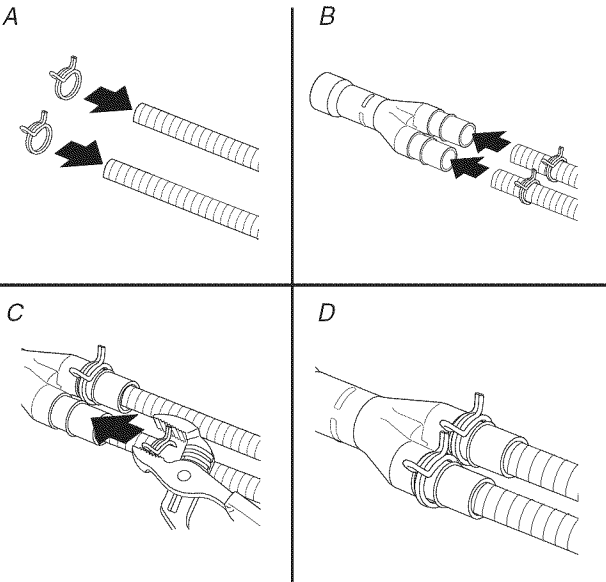
Raccordement du conduit d'alimentation en eau et des tuyaux de vidange

1. Raccorder le conduit d'alimentation en eau au robinet d'arrivée d'eau sous l'évier.



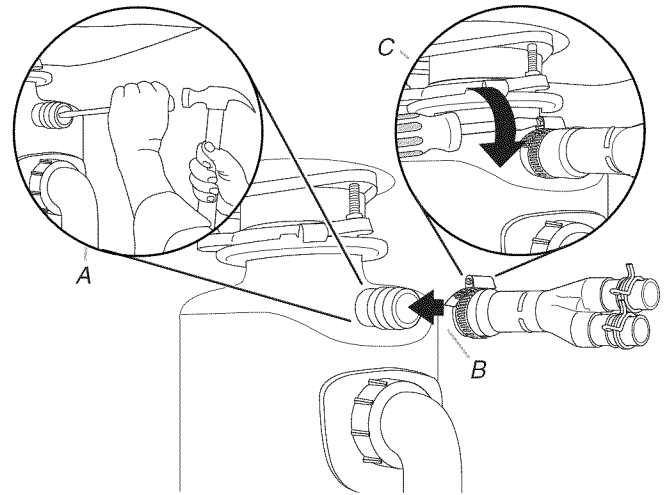
A. Robinet d'arrivée d'eau chaude

2. Enfiler les brides de serrage sur les tuyaux de vidange (figure A). Ne pas couper les tuyaux de vidange.
3. Enfoncer les tuyaux dans le raccord de vidange Y jusqu'à insertion complète (figure B). Plusieurs "clics" se feront entendre.
4. Faire glisser les brides de serrage jusqu'à leur position finale (figures C et D).



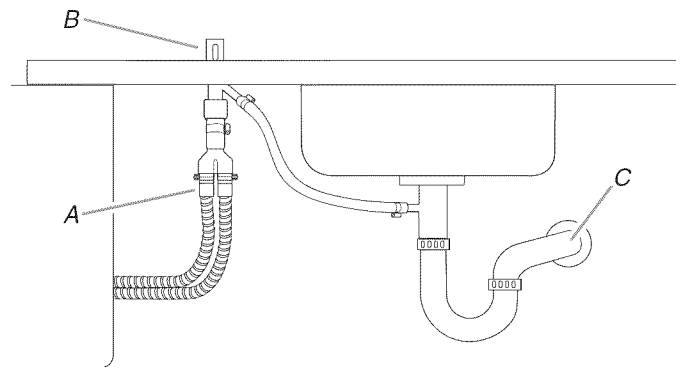
5. Raccorder le tuyau de vidange au moyen d'une des options suivantes :

Option 1 : Broyeur de déchets sans dispositif anti-refoulement



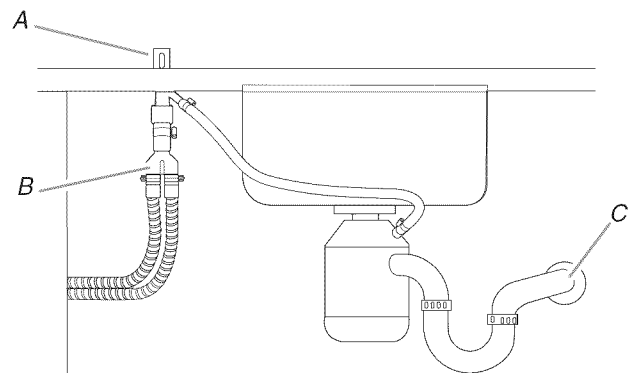
A. Pour une construction récente, retirer la prise du broyeur.
B. Raccorder le raccord de vidange au broyeur de déchets.
C. Serrer la bride de serrage.

Option 2 : Sans broyeur de déchets avec dispositif anti-refoulement



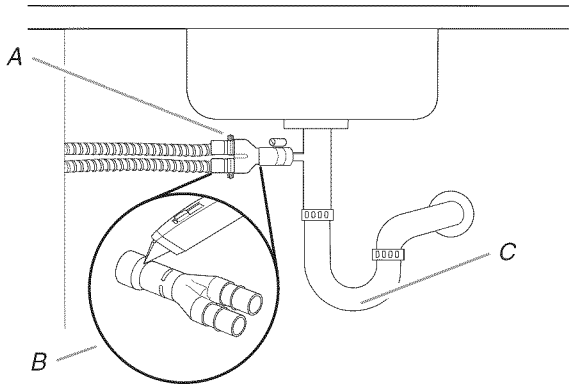
A. Raccord du tuyau de vidange
B. Dispositif anti-refoulement
C. Déchets

Option 3 : Broyeur de déchets avec dispositif anti-refoulement



A. Raccord du tuyau de vidange
B. Dispositif anti-refoulement
C. Déchets

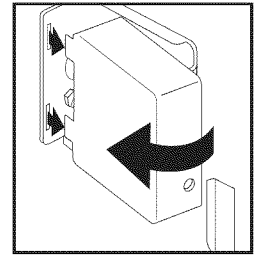
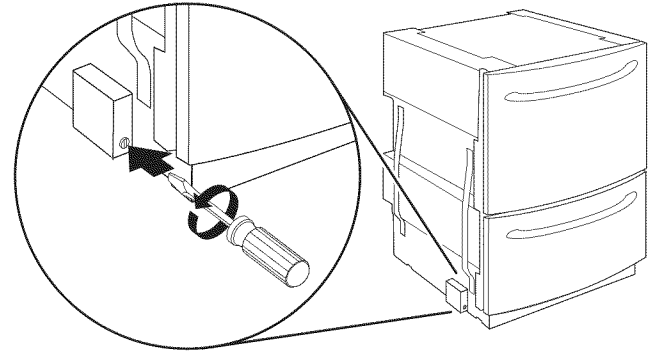
Option 4 : Sans broyeur de déchets ni dispositif anti-refoulement



A. Raccord du tuyau de vidange
B. Couper le raccord de vidange
C. Déchets

REMARQUE : Raccorder le tuyau de vidange au conduit d'évacuation des déchets; utiliser la bride de tuyau fournie.

6. Ouvrir le robinet d'eau et inspecter pour rechercher la présence éventuelle de fuites.



2. Faire passer le câblage à travers le serre-câble et le fixer à la plaque électrique.

Raccordement électrique

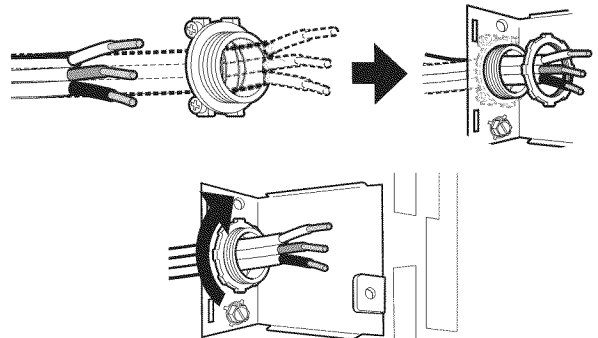
⚠ AVERTISSEMENT



Risque de choc électrique

Interrompre l'alimentation électrique avant d'installer le lave-vaisselle (au niveau du tableau de distribution - fusible ou disjoncteur)

Le non-respect de cette instruction peut causer un décès ou un choc électrique.



1. Ôter la vis fixant le couvercle du boîtier de raccordement. Ôter le couvercle.

⚠ AVERTISSEMENT



Risque de choc électrique

Relier le lave-vaisselle à la terre d'une méthode électrique.

Brancher le fil relié à la terre au connecteur vert relié à la terre dans la boîte de la borne.

Ne pas utiliser un câble de rallonge.

Le non-respect de ces instructions peut causer un décès, un incendie ou un choc électrique.

3. Raccorder le câblage comme suit - utiliser un connecteur de fils calibré pour le raccordement d'une prise directe à un conducteur pour lave-vaisselle de calibre 16.

Câblage d'alimentation électrique :

Blanc



Câblage du boîtier de connexion :

Blanc

Noir



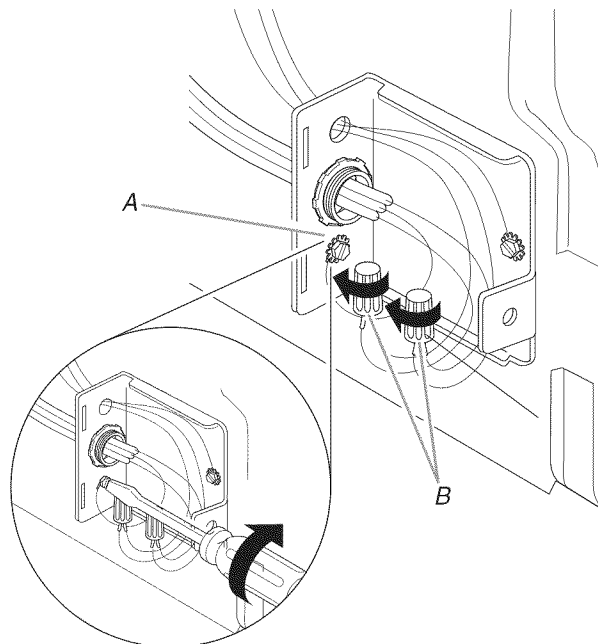
Noir

Conducteur de liaison à la terre



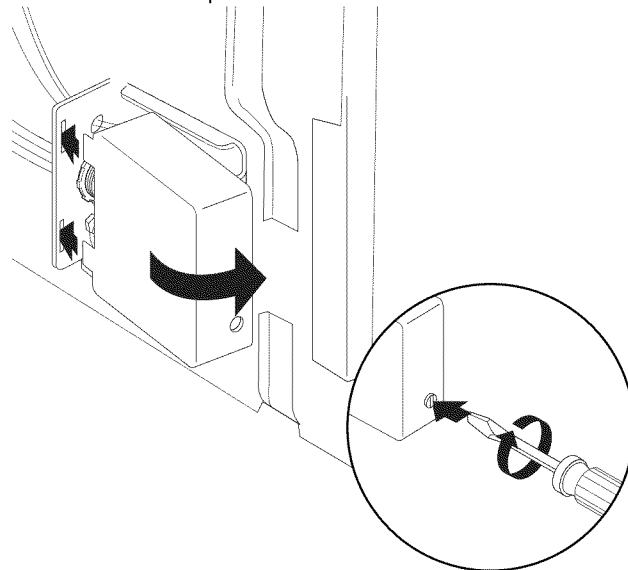
Raccord de liaison à la terre

4. Fixer le conducteur de liaison à la terre à la vis verte de liaison à la terre.



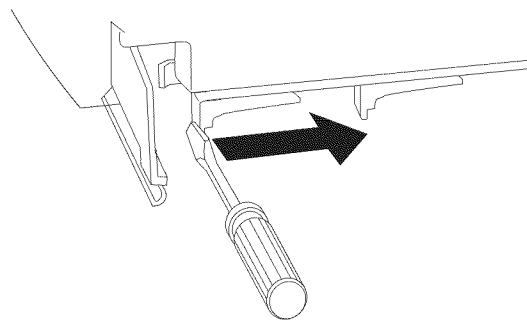
A. Fixer le conducteur de liaison à la terre à la vis verte.
B. Fixer les conducteurs blancs et noirs.

5. Réinstaller le couvercle du boîtier de connexion avec tous les conducteurs bien placés à l'intérieur de la boîte de connexion.

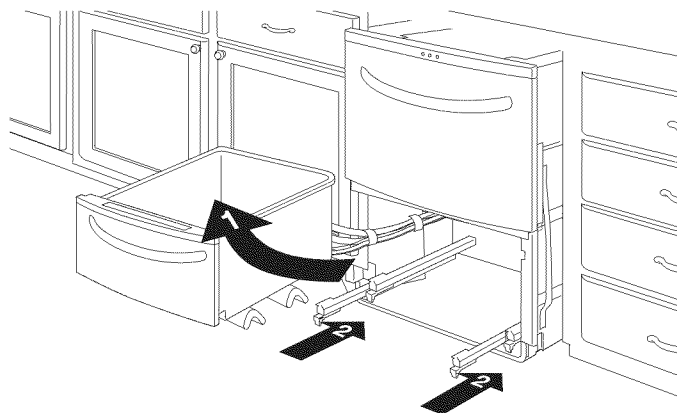


Installation des garnitures et réglage de l'aplomb du lave-vaisselle

1. Ouvrir le tiroir inférieur.
2. Enfoncer les attaches et réinsérer les glissières de 5" (12,7 cm).

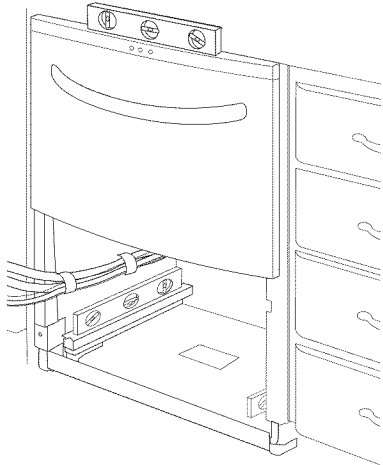


3. Retirer le tiroir des glissières en le soulevant. Placer le tiroir plus loin sur la gauche sur un matériau de protection. Insérer les glissières dans le lave-vaisselle.

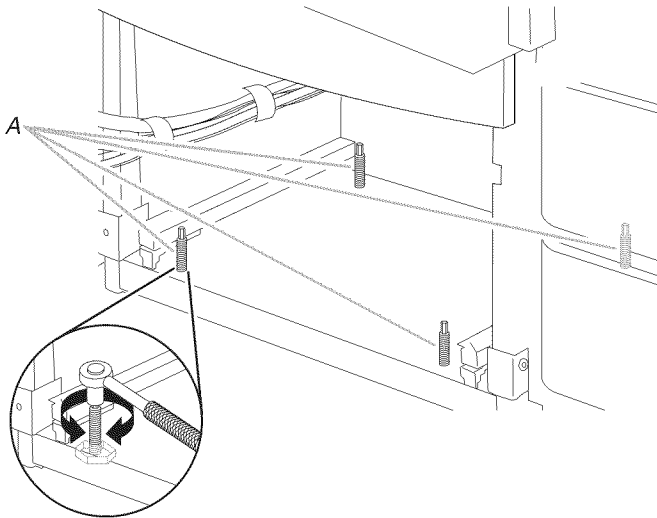


4. Faire glisser le lave-vaisselle dans la cavité d'encastrement jusqu'à sa position finale. Inspecter le tuyau de vidange et le câblage électrique pour vérifier qu'ils ne sont pas déformés.

5. Contrôler l'aplomb gauche-droite de l'appareil en plaçant le niveau sur le dessus du tiroir. Contrôler l'aplomb avant-arrière de l'appareil en plaçant le niveau sur les glissières.

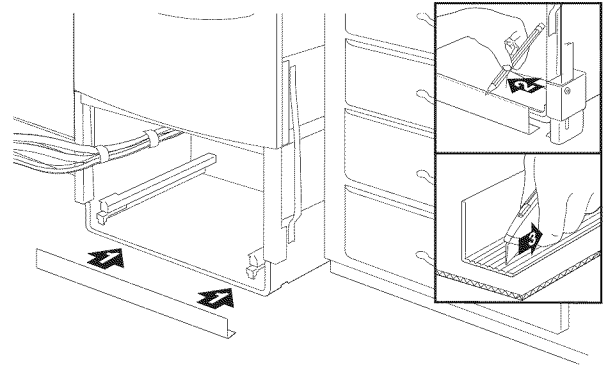


6. Régler les pieds de nivellement avec une clé à douille de $\frac{3}{16}$ " pour mettre le lave-vaisselle d'aplomb.

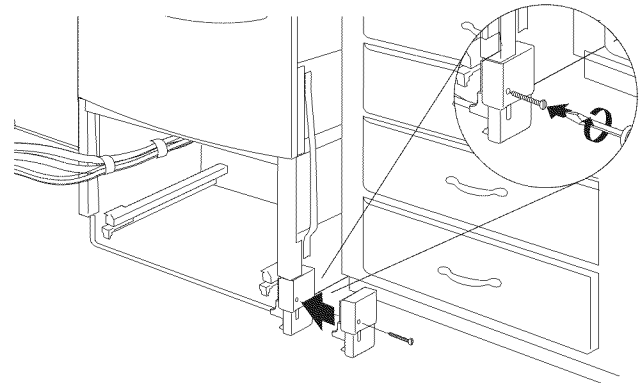


A. Réglage des pieds de nivellement.

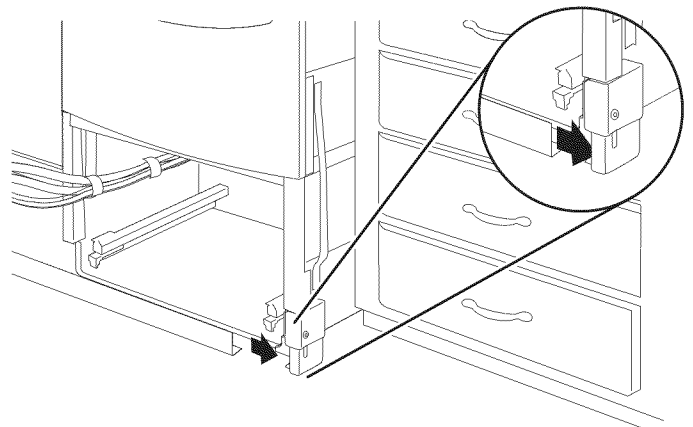
7. Placer les bandes de garniture sur le sol et marquer l'emplacement de la garniture au-dessus du rebord du châssis. Choisissez la rainure la plus proche du marquage. Si le marquage se trouve entre 2 rainures, choisissez la rainure nécessitant la bande de garniture la plus courte. Sur une surface de protection, couper la bande de garniture au niveau de la rainure choisie. Retirer le lave-vaisselle de la cavité d'encastrement d'environ 6" (15,24 cm).



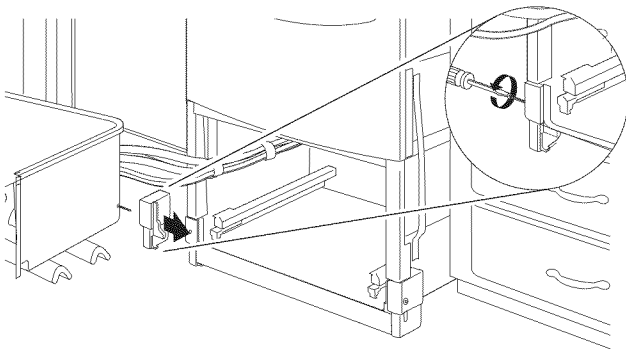
8. Fixer la bride pour cornière au châssis.



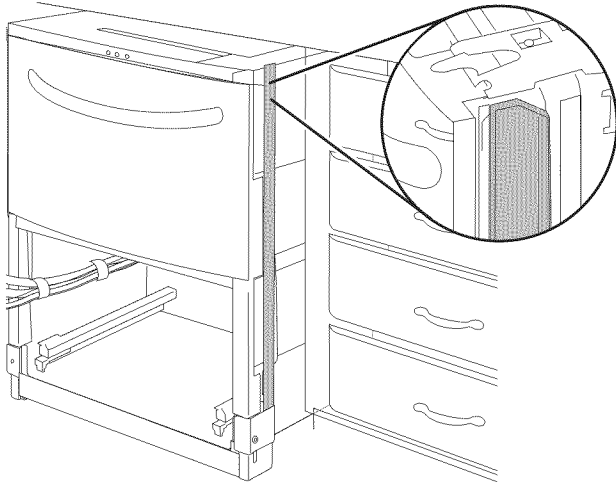
9. Placer la bande de garniture dans la bride pour cornière.



10. Fixer la bride pour cornière du côté opposé.



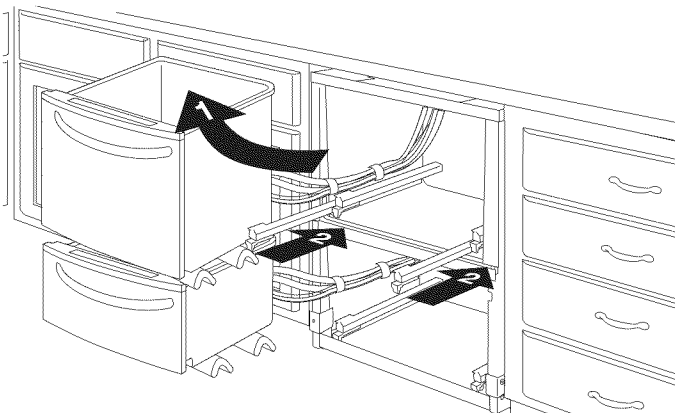
11. Placer les bandes de garniture latérales des 2 côtés tel qu'illustré.



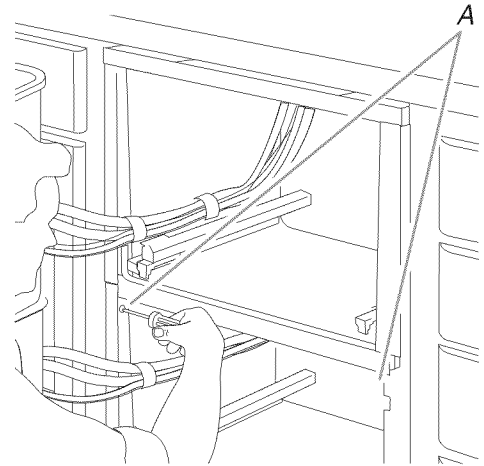
12. Faire glisser le lave-vaisselle dans la cavité d'encastrement jusqu'à sa position finale. Inspecter le tuyau de vidange et le câblage électrique pour vérifier qu'ils ne sont pas déformés.

Fixation des tiroirs à lave-vaisselle

1. Ôter le tiroir supérieur (même procédé que celui utilisé pour ôter le tiroir inférieur) et placer le tiroir sur le tiroir inférieur mis de côté avec l'emballage des coins.



2. Fixer le lave-vaisselle à la bride de montage du placard inférieur (fixée précédemment).

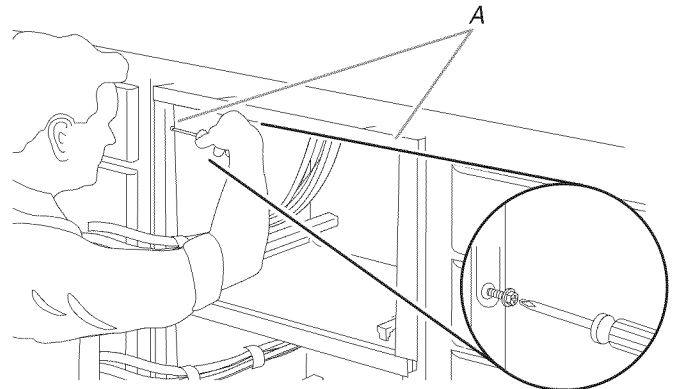


A. Fixer le lave-vaisselle à la bride de montage du placard inférieur.

3. Fixer le lave-vaisselle aux brides de montage du placard supérieur.

Option 1 : Plan de travail en matériau robuste

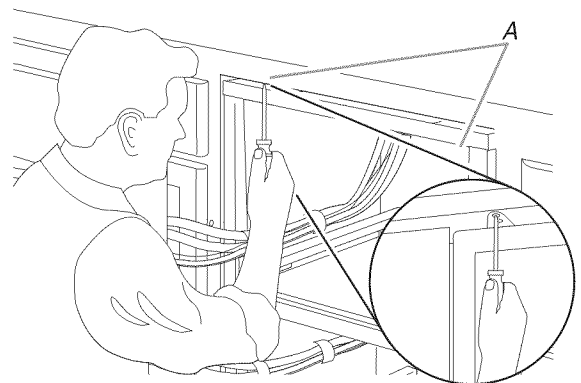
■ Fixer le lave-vaisselle aux brides de montage du placard latéral (fixées précédemment).



A. Fixer le lave-vaisselle aux brides de montage du placard latéral.

Option 2 : Plan de travail en bois

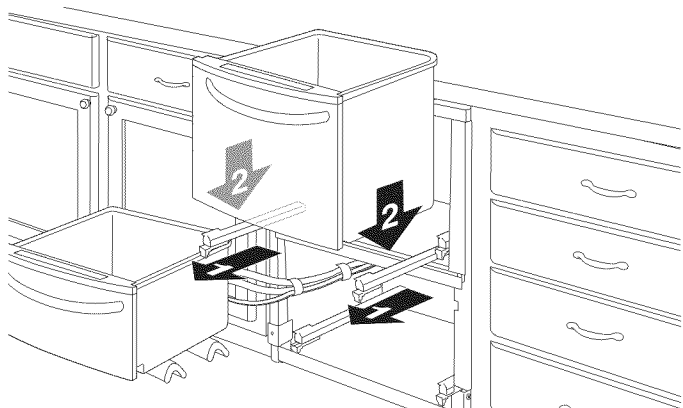
■ Fixer le lave-vaisselle au plan de travail à l'aide des pattes de montage repliées situées sur le dessus du lave-vaisselle.



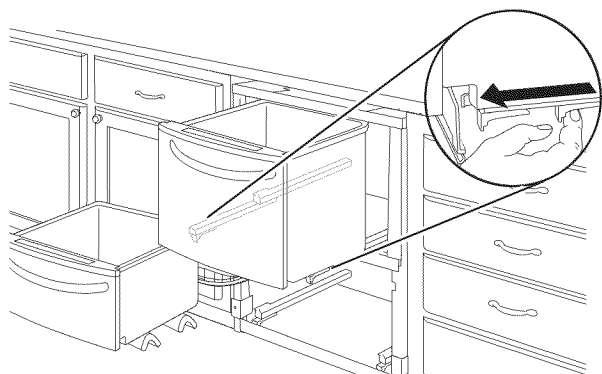
A. Fixer le lave-vaisselle au plan de travail à l'aide des pattes de montage repliées.

Achever l'installation

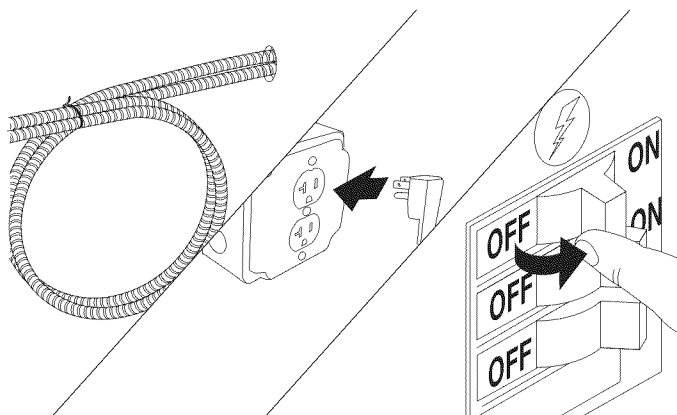
1. Déployer les glissières du tiroir supérieur; installer le tiroir supérieur sur les glissières.



2. Déployer les glissières jusqu'à la position d'emboîtement.



3. Pousser complètement le tiroir dans son logement; répéter le processus ci-dessus pour le tiroir inférieur.
4. Dans le placard sous l'évier, former une boucle avec l'excès de longueur du tuyau d'évacuation. Utiliser l'attache pour former et immobiliser la boucle. Brancher le lave-vaisselle ou reconnecter la source de courant électrique.



5. Sélectionner le programme Rinse Only (rinçage seulement) et appuyer sur le bouton START/RESUME. Laisser le lave-vaisselle effectuer le processus de remplissage, rinçage et vidange de l'eau. Inspecter l'appareil pour identifier toute fuite. Si des fuites sont détectées, resserrer les connexions concernées et répéter cette étape.

Si vous avez besoin d'assistance ou de service :

Consulter la section "Assistance ou service" des Instructions d'utilisation ou contacter le marchand chez qui vous avez acheté votre lave-vaisselle.

INSTRUCTIONS D'INSTALLATION DU PANNEAU PERSONNALISÉS

Panneaux de tiroirs personnalisés

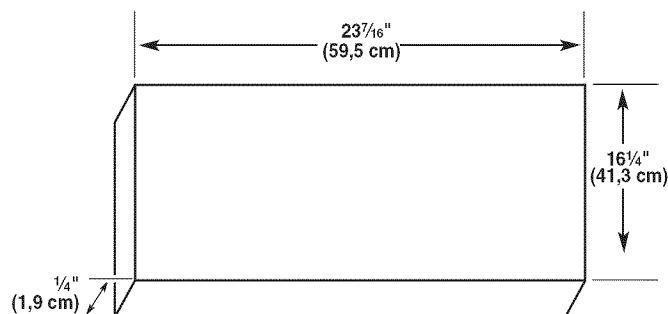
Si vous envisagez d'installer des panneaux personnalisés en bois, vous devrez les créer vous-même ou consulter un ébéniste ou un menuisier qualifié. Voir le dessin des dimensions pour les spécifications du panneau.

IMPORTANT :

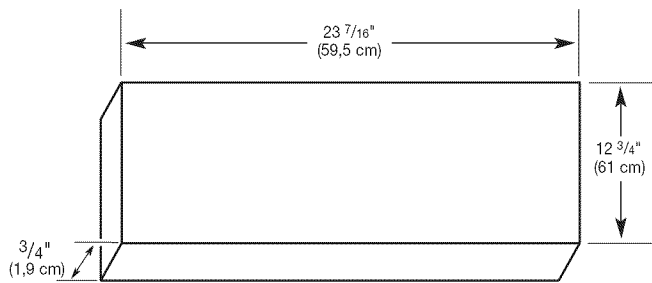
- L'épaisseur du panneau personnalisé doit être comprise entre $\frac{1}{2}$ " (12,7 mm) et $\frac{3}{4}$ " (19,05 mm).
- Respecter les dimensions indiquées pour la hauteur des panneaux personnalisés. Si la hauteur est supérieure à la valeur recommandée, le tiroir du lave-vaisselle, les placards ou le plan de travail risquent d'être endommagés.
- La largeur des panneaux personnalisés peut varier en fonction de la largeur de l'espace d'installation de la caisse.

Dimensions du panneau personnalisé

Panneau du tiroir supérieur



Panneau du tiroir inférieur

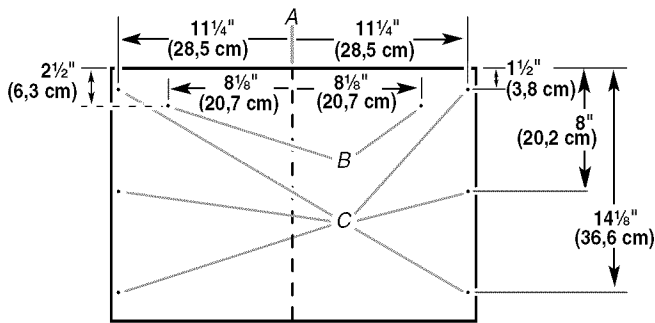


Installation des pièces de quincaillerie

Centrer les pièces de quincaillerie (de gauche à droite) sur le panneau personnalisé. Lors de l'installation des pièces de quincaillerie, veiller à ce que les vis de fixation soient en affleurement avec l'arrière des panneaux personnalisés.

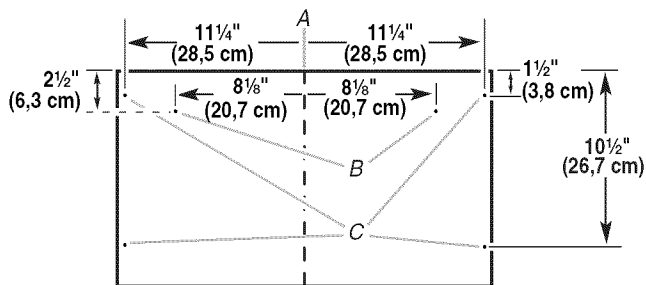
Préparation des panneaux personnalisés

1. Placer les panneaux personnalisés (haut et bas) face vers le bas sur une surface propre et souple.
2. À l'aide d'un crayon, noter les points centraux pour les 2 avant-trous du dispositif de fixation des panneaux et les 6 avant-trous nécessaires pour le panneau supérieur.



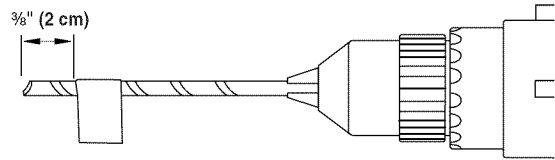
- A. Ligne centrale
- B. Avant-trous pour le dispositif de fixation du panneau (2)
- C. Avant-trous (6)

3. Marquer les points centraux pour les 2 avant-trous du dispositif de fixation du panneau et les 4 avant-trous nécessaires pour le panneau inférieur.



- A. Ligne centrale
- B. Avant-trous pour le dispositif de fixation du panneau (2)
- C. Avant-trous (4)

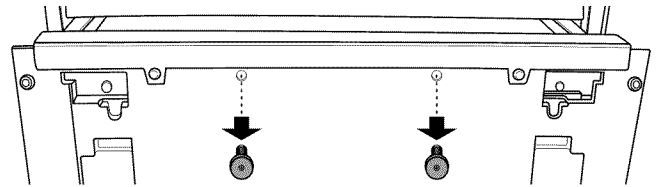
4. À l'aide d'un foret de 3/8", percer chaque trou à 3/8" (1 cm) de profondeur.



IMPORTANT : Ne pas percer à plus de 3/8" (1 cm) de profondeur ou vous risqueriez de percer à travers la face avant du panneau.

Installation des dispositifs de fixation de panneau

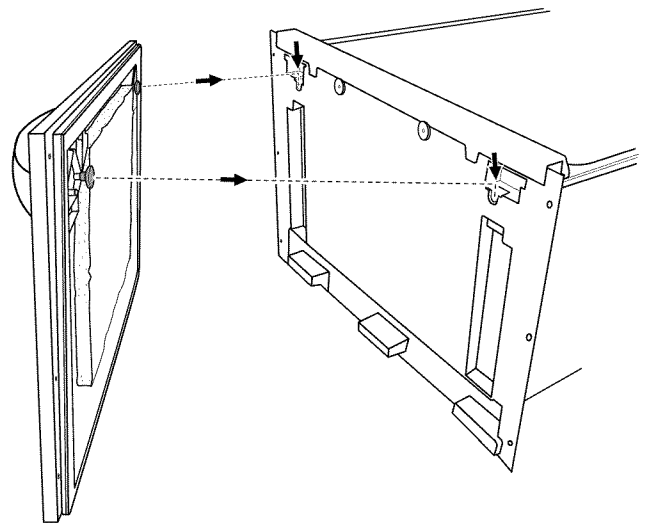
1. Ôter les 2 dispositifs de fixation de panneau de la face de la porte interne du tiroir supérieur.



2. Visser les 2 dispositifs de fixation de panneau dans les avant-trous percés à cet effet dans le panneau personnalisé.
3. Répéter les étapes 1 et 2 pour le tiroir inférieur.

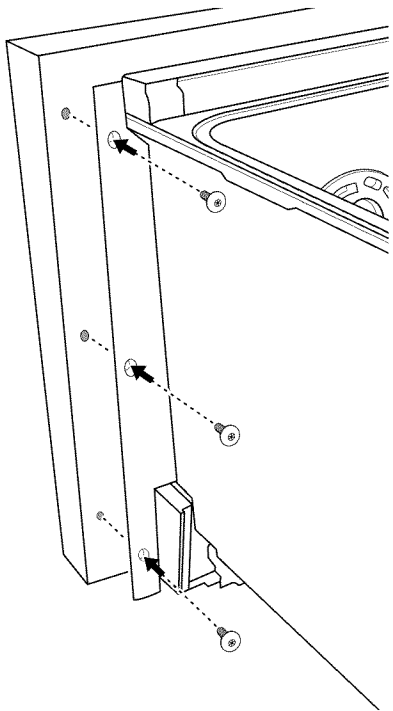
Montage du panneau personnalisé

1. Monter le panneau personnalisé supérieur sur le tiroir en alignant les dispositifs de fixation de panneau avec les 2 encoches en trou de serrure et insérer le panneau.



2. Pour fixer le panneau personnalisé sur le tiroir, pousser le panneau personnalisé vers le bas jusqu'à ce que la partie supérieure du panneau personnalisé soit en affleurement avec la partie supérieure du panneau de commande.

3. À l'aide des vis fournies, fixer le panneau personnalisé sur la porte interne en vissant à travers la porte interne et dans les avant-trous de $\frac{1}{8}$ " (3,175 mm).



4. Répéter les étapes 1 à 3 pour le tiroir inférieur.

REMARQUE : Il y aura uniquement 4 avant-trous (2 à gauche et 2 à droite) pour le tiroir inférieur.

W10216167A

© 2008. All rights reserved.

Todos los derechos reservados.

Tous droits réservés.

® Registered Trademark/TM Trademark of KitchenAid, U.S.A., KitchenAid Canada licensee in Canada

® Marca registrada/TM Marca de comercio de KitchenAid, U.S.A., usada en Canadá bajo licencia de KitchenAid Canada

® Marque déposée/TM Marque de commerce de KitchenAid, U.S.A., Emploi sous licence par KitchenAid Canada au Canada

10/08

Printed in U.S.A.

Impreso en EE.UU.

Imprimé aux É.-U.

