

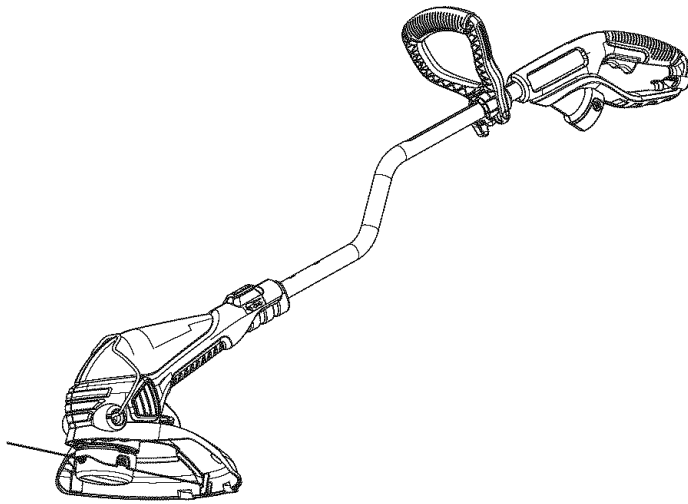
Operator's Manual



TRIMMER/EDGER

U.S.A. Model 900.74547

Canada Model C935.51850



⚠ CAUTION:

Before using this product, read this manual and follow all its Safety Rules and Operating Instructions.

- Safety
- Operation
- Maintenance
- Español, 12
- Français, 21

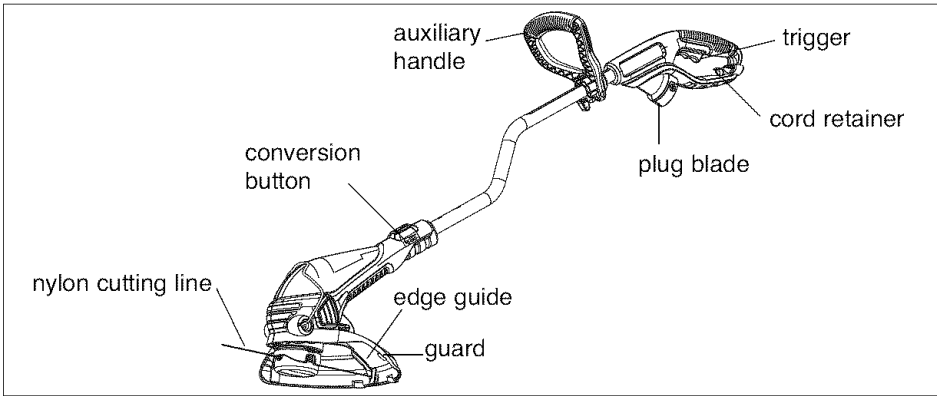
Sears, Roebuck and Co., Hoffman Estates, IL 60179 USA
www.sears.com/craftsman

Form No. 90529772

DEC. '07

Printed in China

TRIMMER DIAGRAM



SEARS WARRANTY

CRAFTSMAN ONE YEAR FULL WARRANTY

If this Craftsman product fails due to a defect in material or workmanship within one year from the date of purchase, return it to any Sears store or other Craftsman outlet in the United States for free replacement.

This warranty does not include the cutting line, which is an expendable part.

This warranty applies for only 90 days from the date of purchase if this product is ever used for commercial or rental purposes.

This warranty gives you specific legal rights, and you may also have other rights which vary from state to state.

Sears, Roebuck and Co., Hoffman Estates, IL 60179

⚠ WARNING: IMPORTANT SAFETY WARNINGS AND INSTRUCTIONS

TO REDUCE RISK OF INJURY:

- Before any use, be sure everyone using this tool reads and understands all safety instructions and other information contained in this manual.
- Save these instructions and review frequently prior to use and in instructing others.

⚠ WARNING: When using electric gardening appliances, basic safety precautions should always be followed to reduce risk of fire, electric shock, and personal injury, including the following:

READ ALL INSTRUCTIONS.

⚠ GENERAL SAFETY WARNINGS AND INSTRUCTIONS FOR ALL TOOLS

- **ALWAYS WEAR EYE PROTECTION** – Wear safety spectacles or goggles at all times when this tool is plugged in.
- **GUARD** – Do not use this tool without guard attached.
- **DRESS PROPERLY** – Do not wear loose clothing or jewelry. They can be caught in moving parts. Rubber gloves and substantial rubber soled footwear are recommended when working outdoors. Don't operate the tool when barefoot or wearing open sandals. Wear long pants to protect your legs. Wear protective hair covering to contain long hair.

- **NYLON LINE** – Keep face, hands and feet clear of rotating nylon line at all times.
- **THE ROTATING LINE PERFORMS A CUTTING FUNCTION** – Use care when trimming around screens and desirable plantings.
- **KEEP ALL BYSTANDERS AWAY** – at a safe distance from work area, especially children.
- **IMPORTANT WARNING** – When being used as an Edger, stones, pieces of metal and other objects can be thrown out at high speed by the line. The tool and guard are designed to reduce the danger. However, the following special precautions should be taken:
 - **MAKE SURE** that other persons and pets are at least 100 feet (30m) away.
 - **TO REDUCE THE RISK** of rebound (ricochet) injury, work going away from any nearby solid object such as wall, steps, large stone, tree, etc. Use great care when working close to solid objects and where necessary, do edging or trimming by hand.
 - **AVOID ACCIDENTALLY STARTING** – Don't carry plugged-in tool with finger on trigger.
 - **DO NOT FORCE THE TOOL** – at a rate faster than the rate at which it is able to cut effectively.
 - **USE THE RIGHT TOOL** – Do not use this tool for any job except that for which it is intended.
 - **DON'T OVERREACH** – Keep proper footing and balance at all times.
 - **DON'T ABUSE CORD** – Don't yank cord from power supply. Keep cord from heat, oil, and sharp edges.
 - **DAMAGE TO UNIT** – If you strike or become entangled with a foreign object, stop tool immediately, unplug, check for damage and have any damage repaired before further operation is attempted. Do not operate with a broken hub or spool.
 - **DAMAGE TO CORD** – Keep power cord away from rotating line. If you damage the cord, unplug it from the power supply before moving the tool or examining the damage. A damaged cord must be replaced before further use.
 - **DISCONNECT TOOL** – when not in use, when replacing line, or prior to cleaning.
 - **AVOID DANGEROUS ENVIRONMENTAL CONDITIONS** – Do not use electric tools in damp or wet locations. Follow all instructions in this Instruction Manual for proper operation of your tool. Don't use the tool in the rain.
 - **DO NOT OPERATE** portable electric tools in gaseous or explosive atmospheres. Motors in these tools normally spark, and the sparks might ignite fumes.
- **STORE IDLE TOOLS INDOORS** – When not in use, tools should be stored indoors in a dry, locked-up place out of reach of children.
- **GROUND FAULT CIRCUIT INTERRUPTER (GFCI)** protection should be provided on the circuits or outlets to be used for the gardening appliance. Receptacles are available having built in GFCI protection and may be used for this measure of protection.
- **SECURE EXTENSION CORD** using the cord retainer shown in **Figure 7**.
- **STAY ALERT** – Watch what you are doing. Use common sense. Do not operate tool when you are tired.
- **MAINTAIN APPLIANCES WITH CARE** – Follow instructions in maintenance section. Inspect extension cords periodically and replace if damaged. Keep handles dry, clean and free from oil and grease.
- **CHECK DAMAGED PARTS** – Before further use of the appliance, a guard or other part that is damaged should be carefully checked to determine that it will operate properly and perform its intended function. Check for alignment of moving parts, binding of moving parts, breakage of parts, mounting, and any other condition that may affect its operation. A guard or other part that is damaged should be properly repaired or replaced by an authorized service center unless otherwise indicated elsewhere in this manual.
- ▲ **WARNING:** When servicing double insulated tools, **USE ONLY IDENTICAL REPLACEMENT PARTS**. Replace or repair damaged cords.
- ▲ **WARNING:** To prevent electrical shock hazard, use only with an extension cord suitable for outdoor use. Always connect extension cords to a fused line or one protected by a circuit breaker.
- ▲ **WARNING:** To reduce the risk of electric shock use only with an extension cord intended for outdoor use, such as SW-A, SOW-A, STW-A, STOW-A, SJW-A, SJOW-A, SJTW-A or SJTOW-A.
- **EXTENSION CORD.** Make sure your extension cord is in good condition. When using an extension cord be sure it is heavy enough to carry the current your product will draw. An undersized extension cord will cause a drop in line voltage resulting in loss of power and overheating. The following table shows

the correct size to use depending on cord length and nameplate ampere rating. If in doubt, use the next heavier gage. The smaller the gage number, the heavier the cord.

Minimum Gage for Extension Cords (AWG) 120				
VAC Tools				
Total Cord Length	0-25	26-50	51-100	105-150
Amp Rating	AWG	AWG	AWG	AWG
More than 0	18	16	16	14
Not More than 6				
More than 6	18	16	14	12
Not More than 10				
More than 10	16	16	14	12
Not more than 12				
More than 12	14	12	Not	
Not more than 16			Recommended	

▲ ADDITIONAL WARNINGS FOR STRING TRIMMERS

1. DO NOT immerse tool in water or squirt it with a hose. DO NOT allow any liquid to get inside it.
2. Do not store the tool on or adjacent to fertilizers or chemicals.
3. DO NOT clean with a pressure washer.

▲ SAFETY WARNINGS: DOUBLE INSULATION

Double insulated tools are constructed throughout with two separate layers of electrical insulation or one double thickness of insulation between you and the tool's electrical system. Tools built with this insulation system are not intended to be grounded. As a result, your tool is equipped with a two prong plug which permits you to use extension cords without concern for maintaining a ground connection.

NOTE: Double insulation does not take the place of normal safety precautions when operating this tool. The insulation system is for added protection against injury resulting from a possible electrical insulation failure within the tool.

Replacement parts: When servicing all tools, USE IDENTICAL REPLACEMENT PARTS. Repair or replace damaged cords.

▲ SAFETY WARNINGS AND INSTRUCTIONS: POLARIZED PLUGS

To reduce the risk of electric shock, this equipment has a polarized plug (one blade is wider than the other). This equipment must be used with a suitable polarized 2 wire or 3 wire extension cord. Polarized connections will fit together only one way. Make sure that the receptacle end of the extension cord has large and small blade slot widths. If the

plug does not fit fully into the extension cord, reverse the plug. If it still does not fit, obtain a suitable extension cord. If the extension cord does not fit fully into the outlet, contact a qualified electrician to install the proper outlet. Do not change the tool plug or extension cord in any way.

SPECIFIC SAFETY WARNING

▲ WARNING: Some dust created when using lawn and garden power tools contains chemicals known to cause cancer, birth defects and other reproductive harm.

Some examples of these chemicals are:

- crystalline silica from sand, bricks and other masonry dust
- arsenic and chromium from chemically treated lumber (CCA)
- compounds in fertilizers
- compounds in insecticides, herbicides and pesticides

environment in which you are working and how often you do this type of work. To reduce your exposure to these chemicals, follow product label instructions to apply chemicals such as fertilizers, insecticides, herbicides or pesticides. When using these tools, wear safety equipment such as gloves and dust masks which are especially designed to filter out microscopic particles.

SAVE THESE INSTRUCTIONS FOR FUTURE USE.

Health risk from these chemical exposures varies, depending on the

ASSEMBLY INSTRUCTIONS

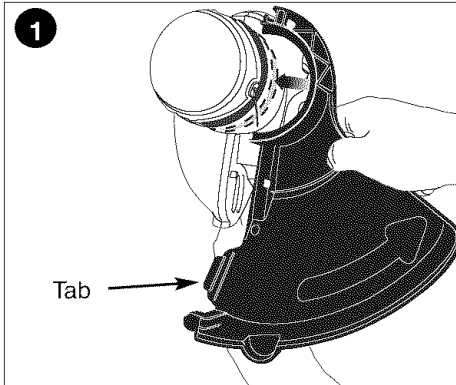
ASSEMBLY TOOLS REQUIRED (NOT SUPPLIED):

- Phillips Screwdriver

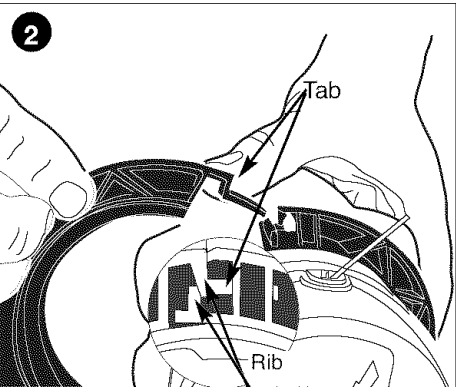
ATTACHING THE TWO PIECE GUARD

⚠ WARNING: UNPLUG THE TOOL BEFORE ATTEMPTING TO ATTACH THE GUARD. NEVER OPERATE TOOL WITHOUT GUARD FIRMLY IN PLACE. THE GUARD MUST ALWAYS BE ON THE TOOL TO PROTECT THE USER.

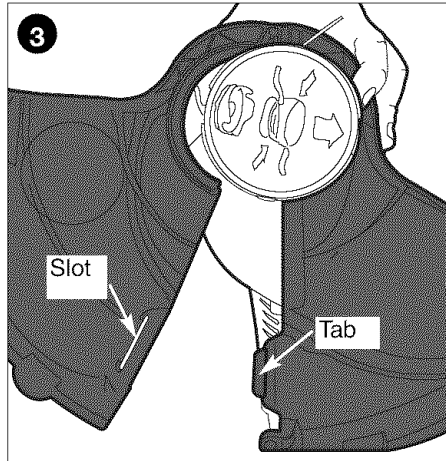
- Remove the two guard sections from the carton.
- Attach the first guard section with **side tab** into the groove around the housing as shown in **figure 1**. Align the hole in the guard with the post on the trimmer housing.



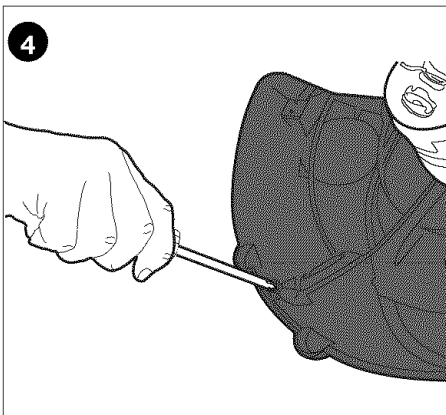
- Remove the screw from the second guard section.
- Insert the **top tab** from the second guard section into the first guard section as shown in **figure 2**. **NOTE: The rib behind the tab should be hooked over the rib of the first guard section.** (See inset figure 2).



- Insert the **side tab** from the first guard section into the slot of the second guard section until you hear them "snap" together (**figure 3**).



- Insert the $\frac{3}{4}$ inch (19mm) screw as shown in **figure 4** to complete the guard assembly.

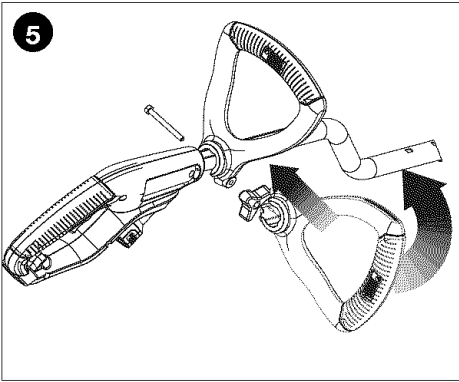


- Once the guard is installed, remove the covering from the line cut-off blade, located on the edge of the second guard section.

ATTACHING THE AUXILIARY HANDLE

- Attach the handle to the metal shaft of the trimmer by pushing it onto the shaft from the side. Once it is pushed onto the metal shaft, the handle can be turned into the correct orientation.
- Insert the 2-1/2 inch (63.5mm) bolt

through the holes in the handle and thread on the plastic knob as shown in **figure 5**.

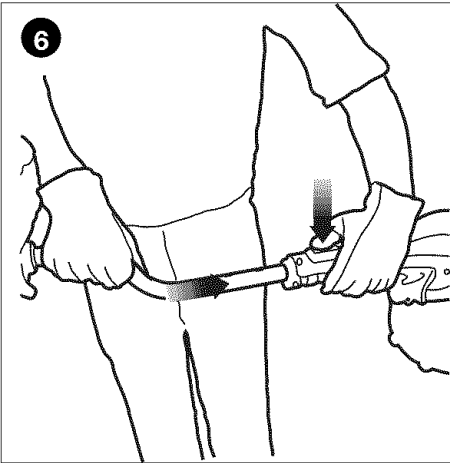


- For maximum comfort and control, adjust the auxiliary handle to suit your height. Shorter users adjust handle to a lower position (away from you) and taller users, adjust handle to an upper position (towards you). The handle should be adjusted so that your front arm is straight when the trimmer is in the working position.

HEIGHT ADJUSTMENT

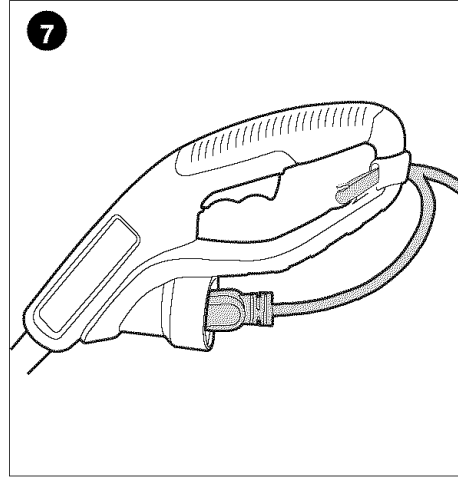
- The overall height of the trimmer can be adjusted by pressing the conversion button shown in **figure 6** and moving the metal tube up or down into one of the three rectangular recesses in the tube until you hear it “snap” into place.

▲ CAUTION: Confirm that the tube is locked in place by releasing the button and pushing down on the tube.



ATTACHING EXTENSION CORD

- An extension cord retainer (**figure 7**) is built into the switch handle that prevents the cord from coming unplugged. To use this feature, simply double the extension cord about 8 inches (203mm) from the end, and insert it into the slot in the bottom of the handle area. Hook the loop formed by doubling the cord over the tab. Gently tug on the cord to insure that it is firmly retained in the trimmer's handle. Plug the receptacle end of the extension cord into the plug blades in the trimmer.



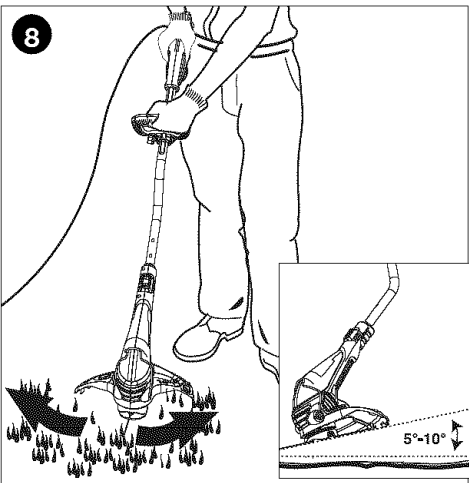
OPERATING INSTRUCTIONS

▲ WARNING: Always use proper eye protection that conforms to ANSI Z87.1 (CAN/CSA Z94.3) while operating this power tool.

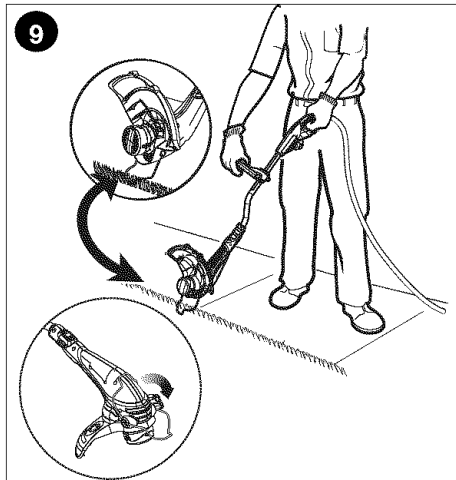
▲ CAUTION: Inspect area to be trimmed and remove any wire, cord, or string-like objects which could become entangled in the rotating line or spool. Be particularly careful to avoid any wire which might be bent outwardly into the path of the tool, such as barbs at the base of a chain link fence.

SWITCHING ON AND OFF

- To switch the tool on, squeeze the trigger lever.
- To switch the tool off, release the trigger lever.
- With the unit on, angle unit and slowly swing the trimmer side to side as shown in **figure 8**.

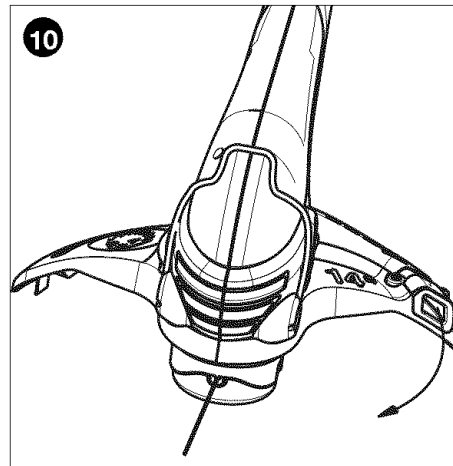


- To operate as a maintenance edger, unplug the unit from the power source. Push the conversion button and rotate the tube 180° as shown in **figure 6**. The tool will lock in position. Gently pull the wire edge guide down into place as shown in **figure 9** and position the trimmer above the surface as shown in **figure 9**.
- Return to the trimming position by unplugging the unit from the power source, pushing the conversion button and rotating the tube back 180°. The tool will lock in the trimmer position. When using the tool return the wire edge guide to the original position, out of the way.



BLOWER FUNCTION (FIGURE 10)

The air flow created by the motor funnels up through the guard to provide a built-in blower. This feature can be used to blow grass clippings off of sidewalks and other hard surface areas.



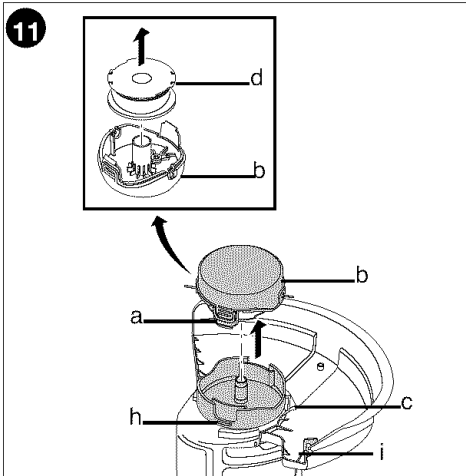
CUTTING LINE / LINE FEEDING

Your trimmer uses .065 inch (1.65 mm) diameter, **ROUND** nylon line. During use, the tips of the nylon lines will become frayed and worn and the special self feeding line hub will automatically feed and trim a fresh length of line. Cutting line will wear faster and require more feeding if the cutting or edging is done along sidewalks or other abrasive surfaces or heavier weeds are being cut. The

advanced automatic line feeding mechanism senses when more cutting line is needed and feeds and trims the correct length of line whenever it's required. **DO NOT BUMP** unit on ground in attempt to feed line or for any other purposes.

FITTING A NEW SPOOL OF AFS CUTTING LINE (FIGURES 11 & 12)

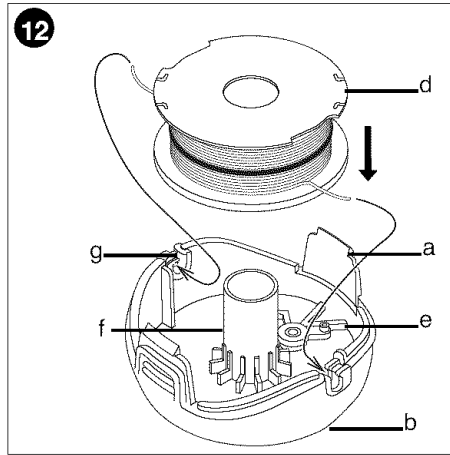
- Unplug the tool.
- Depress the tabs (a) and remove the cassette (b) from the cassette housing (c) in the trimmer head (figure 11).



- Grasp empty spool (d) with one hand and cassette with other hand and pull spool out from cassette. If lever (e) in base of cassette becomes dislodged, replace in correct position before inserting new spool into cassette.
- Remove any dirt and grass from the cassette and housing.
- Take the new spool and push it onto the boss (f) (figure 12) in the cassette. Rotate the spool slightly until it is seated.
- Unfasten the end of one of the cutting lines and guide the line into one of the eyelets (g) (figure 12). The line should protrude approximately 4-3/8 inches (111mm) from the cassette.
- Unfasten the end of the other cutting line and guide the line into the other eyelet. The line should protrude approximately 4-3/8 inches (111mm) from the cassette.
- Align the cassette tabs (a) with the slots (h) in the housing (figure 11).
- Push the cassette onto the housing until it snaps securely into place.

CAUTION: To avoid tool damage, If the cutting lines protrude beyond the

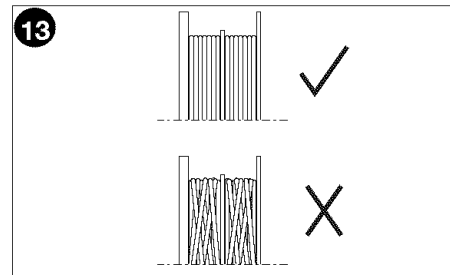
trimming blade (i), cut them off so that they just reach the blade (figure 11).



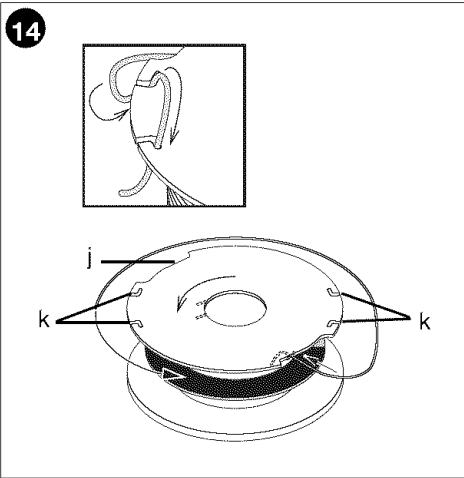
WINDING NEW LINE ONTO AN EMPTY SPOOL (FIGURES 13 & 14)

You may wind new cutting line onto an empty spool. Replacement packs of .065 inch (1.65 mm) cutting line are available from your Sears store.

- Remove the empty spool from the tool as described in "FITTING A NEW SPOOL OF AFS CUTTING LINE".
- Remove any remaining cutting line from the spool.
- First wind new line onto the uppermost part of the spool.
 - Feed 3/4 inch (19mm) of cutting line into one of the line anchoring slots.
 - Wind the cutting line onto the spool in the direction of the arrow on the spool. Make sure to wind the line neatly and in layers. Do not crisscross (figure 13).



- When the wound cutting line reaches the recesses (j), cut the line. (figure 14).
- Temporarily park the line in the holding slots (k) on one side of the spool as shown in the inset in figure 14.



- Repeat the above procedure for the second cutting line on the lower section of the spool.
- Fit the spool onto the tool as described in "FITTING A NEW SPOOL OF CUTTING LINE".

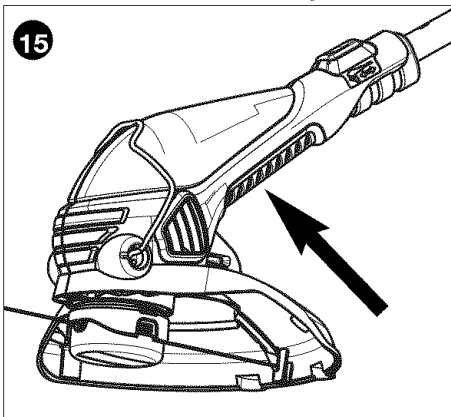
▲ CAUTION: Before you begin trimming, only use the appropriate type of cutting line. Ensure that cutting line is present in both sections of the spool (figure 12).

MAINTENANCE

IMPORTANT: To assure product SAFETY and RELIABILITY, repairs, maintenance and adjustment should be performed by a Sears or other qualified service dealer, always using identical replacement parts.

▲ WARNING: To avoid serious injury, switch off and unplug the tool before performing any maintenance.

1. Keep the air intake slots (figure 15) clean to avoid overheating.



2. Your trimmer line can dry out over time. To keep your line in top condition, store spare pre-wound spools or bulk line in a plastic, sealable bag with a tablespoon of water.
3. Plastic parts may be cleaned by using a mild soap and a damp rag.
4. The line cutter on the edge of the guard can dull over time. It is recommended you periodically touch-up the sharpness of the blade with a file.

ACCESSORIES

Use Craftsman replacement spool Model No. 85942.

Reload nylon line (either bulk or prewound replacement spool) as described in this manual.

- USE ONLY .065 inch (1.65 mm) DIAMETER NYLON MONOFILAMENT LINE. Do not use serrated or heavier gauge line, as they will overload the motor and cause overheating. The unit only functions properly with .065 inch (1.65 mm) diameter nylon monofilament line. This line is available at your local Sears store or other Craftsman outlet.

▲ WARNING: The use of any accessory not recommended by Sears for use with this tool could be hazardous.

TROUBLESHOOTING

▲ WARNING: To avoid serious injury, switch off and unplug the tool before performing any maintenance.

Tool runs slowly

- Check that the cassette housing can rotate freely. Carefully clean it if necessary.
- Check that the cutting line does not protrude more than approximately 4-3/8 inches (111mm) from the cassette. If it does, cut it off so that it just reaches the line trimming blade.

Automatic line feed does not work

- Keep the tabs depressed and remove the cassette from the cassette housing in the trimmer head.
- Pull the cutting line until it protrudes approximately 4-3/8 inches (111mm) from the cassette. If insufficient cutting line is left on the spool, install a new spool of cutting line.
- Align the tabs on the cassette with the cut outs in the housing.
- Push the cassette onto the housing until it snaps securely into place.
- If the cutting line protrudes beyond the trimming blade, cut it off so that it just reaches the blade.

If the automatic line feed still does not work or the spool is jammed, try the following suggestions:

- Carefully clean the cassette and housing.
- Remove the spool and check if the lever in the cassette can move freely.
- Remove the spool and unwind the cutting line, then wind it on neatly again. Replace the spool into the cassette.

NEED MORE HELP?

You'll find the answer and more on managemyhome.com – for free!

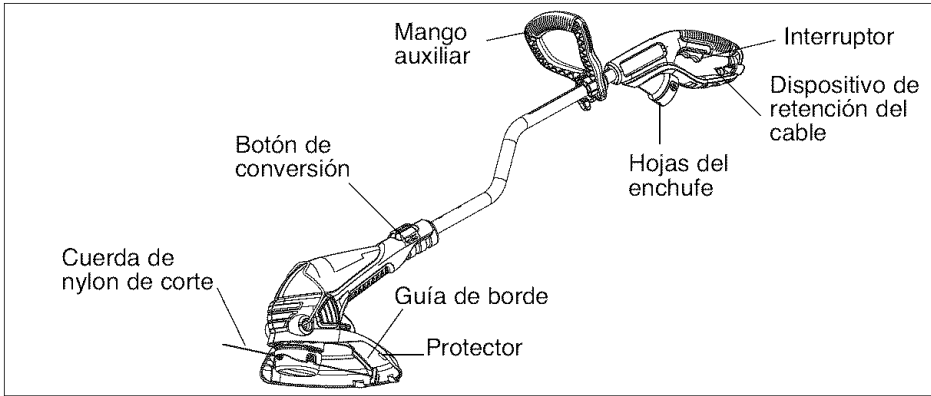
- Find this and all your other product manuals online.
- Get answers from our team of home experts.
- Get a personalized maintenance plan for your home.
- Find information and tools to help with home projects.

manage  home

brought to you by Sears



DIAGRAMA DEL CORTACERCO



GARANTIA SEARS

UN AÑO DE GARANTÍA COMPLETA PARA LAS HERRAMIENTAS CRAFTSMAN

Si esta herramienta Craftsman falla debido a defectos en el material o en la fabricación dentro del año desde la fecha de compra, devuélvala a cualquier tienda Sears u otro punto de venta de productos Craftsman en Estados Unidos para recibir gratis una herramienta de reemplazo.

Esta garantía no cubre la cuerda de corte, que es una pieza consumible.

Esta garantía tiene vigencia durante 90 días desde la fecha de compra, si este producto se utiliza con fines comerciales o de alquiler.

Esta garantía le concede derechos legales específicos; pueden existir otros derechos que varían según el estado.

Sears, Roebuck and Co., Hoffman Estates, IL 60179

⚠ ADVERTENCIA: ADVERTENCIAS E INSTRUCCIONES IMPORTANTES DE SEGURIDAD

PARA REDUCIR EL RIESGO DE LESIONES:

- Antes de cualquier uso, asegúrese que cualquier persona que vaya a utilizar esta herramienta lea y comprenda todas las instrucciones de seguridad y la información contenida en este manual.
- Conserve estas instrucciones y repáselas con frecuencia antes de usar la herramienta e instruir a otras personas.

⚠ **ADVERTENCIA:** Siempre que utilice herramientas eléctricas de jardín debe seguir ciertas precauciones básicas de seguridad, a fin de reducir los riesgos de incendio, choque eléctrico y lesiones personales, entre las que se encuentran las siguientes.

LEA TODAS LAS INSTRUCCIONES

⚠ ADVERTENCIAS E INSTRUCCIONES DE SEGURIDAD PARA TODAS LAS HERRAMIENTAS

- **SIEMPRE UTILICE PROTECCION PARA LOS OJOS:** utilice gafas o anteojos de seguridad en todo momento que esta herramienta esté enchufada.
- **PROTECTOR:** nunca utilice esta herramienta sin el protector.
- **UTILICE LA VESTIMENTA ADECUADA:** no utilice ropa holgada ni joyas. Pueden atascarse en las piezas móviles. Se recomienda utilizar guantes de goma y calzado con una suela de goma considerable al trabajar al aire libre. No opere la herramienta descalzo ni con sandalias abiertas. Utilice pantalones largos para protegerse las piernas. Recójase y cubra el cabello largo.
- **CUERDA DE NYLON:** mantenga la cara, las manos y los pies lejos de la cuerda de nylon giratoria en todo momento.
- **LA CUERDA GIRATORIA REALIZA UNA FUNCIÓN DE CORTE:** tenga precaución al podar alrededor de pantallas y plantas que desea.
- **MANTENGA ALEJADOS A TODOS LOS ESPECTADORES:** a una distancia segura, especialmente a los niños.

- **ADVERTENCIA IMPORTANTE:** al utilizar la herramienta como Bordeadora, las piedras, las piezas de metal y otros objetos pueden ser arrojados a alta velocidad por la acción de la cuerda. La herramienta y el protector están diseñados para reducir el peligro. No obstante, se deben tener en cuenta las siguientes precauciones especiales:
- **ASEGÚRESE** de que las demás personas y mascotas estén a no menos de 30 m (100 pies) de distancia.
- **PARA REDUCIR EL RIESGO** de lesiones por repercusión (rebote), trabaje lejos de cualquier objeto sólido cercano, como pared, escalones, piedras grandes, árboles, etc. Tenga suma precaución al trabajar cerca de objetos sólidos y, cuando sea necesario, pade o recorte los bordes en forma manual.
- **EVITE EL ARRANQUE ACCIDENTAL:** nunca transporte la herramienta enchufada con el dedo en el interruptor.
- **NO FUERCE LA HERRAMIENTA:** a una velocidad más rápida de la velocidad para la que fue diseñada para cortar en forma eficaz.
- **UTILICE LA HERRAMIENTA ADECUADA:** no utilice esta herramienta para un trabajo diferente a aquéllos para los que fue diseñada.
- **NO SE ESTIRE:** conserve el equilibrio adecuado y manténgase parado correctamente en todo momento.
- **NO TIRE DEL CABLE:** no jale el cable de la fuente de energía. Mantenga el cable alejado del calor, el aceite y los bordes afilados.
- **DANO A LA UNIDAD:** si golpea la herramienta o ésta se atasca con un objeto extraño, deténgala de inmediato, desenchúfela, verifique que no se haya dañado y repare cualquier daño antes de seguir utilizándola. No opere la herramienta si la bobina o el carrete están dañados.
- **DANOS DEL CABLE:** mantenga el cable de alimentación lejos de la cuerda giratoria. Si daña el cable, desenchúfelo de la fuente de alimentación antes de mover la herramienta o examinar el cable. Un cable dañado debe reemplazarse antes de utilizarlo.
- **DESCONECTE LA HERRAMIENTA:** cuando no la utilice, al reemplazar la cuerda o antes de limpiarla.
- **EVITE LAS CONDICIONES AMBIENTALES PELIGROSAS:** no utilice herramientas eléctricas en lugares húmedos o mojados. Siga todas las instrucciones incluidas en este Manual de instrucciones para una operación adecuada de la herramienta. No utilice la herramienta bajo la lluvia.
- **NO OPERE** herramientas eléctricas portátiles en atmósferas gaseosas o explosivas. Los motores de estas herramientas normalmente chispean, y las chispas pueden encender los vapores.
- **GUARDE LAS HERRAMIENTAS QUE NO SE UTILICEN EN EL INTERIOR:** cuando no las utilice, las herramientas deben guardarse en un lugar seco, alto o bajo llave, fuera del alcance de los niños.
- La protección del **INTERRUPTOR DE CORTE POR FALLA A TIERRA (GFCI)** debe aplicarse a los circuitos o los tomacorrientes que se utilizarán en electrodomésticos para jardín. Hay tomacorrientes con protección GFCI incorporada y pueden utilizarse para tomar esta medida de protección.
- **FIJE EL CABLE DE PROLONGACIÓN** utilizando el dispositivo de retención del cable que se muestra en la **Figura 7**.
- **ESTÉ ALERTA:** fíjese en lo que está haciendo. Use el sentido común. No opere la herramienta si está cansado.
- **CONSERVE LAS HERRAMIENTAS ADECUADAMENTE:** siga las instrucciones en la sección de mantenimiento. Inspeccione los cables prolongadores periódicamente y reemplácelos si están dañados. Mantenga los mangos secos, limpios y libres de aceite y grasas.
- **VERIFIQUE LAS PIEZAS AVERIADAS:** antes de volver a utilizar la herramienta, se debe controlar cualquier protección u otra pieza que esté averiada para determinar si funcionará correctamente y realizará la función para la que fue diseñada. Verifique la alineación y la sujeción de las piezas móviles, la rotura de piezas, el montaje y cualquier otra condición que pueda afectar el funcionamiento. Cualquier protección u otra pieza que esté dañada debe ser reparada correctamente o reemplazada por un centro de mantenimiento autorizado, a menos que este manual indique otra cosa.
- ▲ **ADVERTENCIA:** Al realizar el mantenimiento de las herramientas con doble aislamiento, **UTILICE SÓLO PIEZAS DE REPUESTO IDÉNTICAS.** Repare o reemplace los cables dañados.
- ▲ **ADVERTENCIA:** Para evitar el riesgo de descargas eléctricas, sólo utilice con un cable de prolongación adecuado para uso en exteriores. Siempre conecte los cables prolongadores a una línea con fusible o a una protegida por un interruptor de circuitos.

⚠ ADVERTENCIA: Para reducir el riesgo de choque eléctrico, utilícese solamente con cables de extensión para intemperie, como los siguientes: SW-A, SOW-A, STW-A, STOW-A, SJW-A, SJOW-A, SJTW-A o SJTOW-A.

• CORDONES DE EXTENSION.

Asegúrese que su extensión esté en buenas condiciones. Cuando utilice una extensión, asegúrese que tenga el calibre suficiente para conducir la corriente que su herramienta necesita. extensión con calibre menor al necesario causará una caída en el voltaje de la línea, resultando en pérdida de potencia y sobrecalentamiento. La tabla siguiente muestra el calibre correcto para usarse, de acuerdo con la longitud de la extensión y el amperaje en la placa de identificación. Si tiene dudas, utilice el calibre siguiente. Mientras menor sea el número del calibre, mayor será la capacidad del cable.

Calibre mínimo para cordones de extensión (AWG) 120 V ca herramientas				
Longitud total en metros	0-7.62	-15.24	-30.48	-45.72
AMPERAJE	AWG	AWG	AWG	AWG
Más de 0	18	16	16	14
No más de 6				
Más de 6	18	16	14	12
No más de 10				
Más de 10	16	16	14	12
No más de 12				
Más de 12	14	12	No	
No más de 16			Recomendado	

⚠ ADVERTENCIA ADICIONALES PARA PODADORES DE CADENA

1. NO sumerja la herramienta en agua ni la salpique con una manguera. NO permita que ningún líquido entre en ella.
2. No guarde la herramienta sobre o cerca de fertilizantes o productos químicos.
3. NO limpie con una lavadora a presión.

⚠ ADVERTENCIAS E INSTRUCCIONES DE SEGURIDAD: DOBLE AISLAMIENTO

Las herramientas con doble aislamiento están construidas con dos capas separadas de aislamiento eléctrico o una capa de espesor doble entre usted y el sistema eléctrico de la herramienta. Las herramientas con doble aislamiento no necesitan conectarse a tierra. Como resultado, su herramienta está equipada con una clavija de dos patas que le permite utilizar extensiones sin preocuparse por tener una conexión a tierra.

NOTA: El doble aislamiento no reemplaza las precauciones normales de seguridad cuando se opere la herramienta. El sistema de aislamiento le proporciona protección añadida contra las lesiones resultantes de posibles fallas en el aislamiento eléctrico de la herramienta.

Partes de repuesto: Solamente emplee refacciones idénticas cuando haga servicio. Repare o reemplace los cordones eléctricos dañados.

⚠ ADVERTENCIAS E INSTRUCCIONES DE SEGURIDAD: CLAVIJAS POLARIZADAS

Este equipo cuenta con una clavija polarizada (con una pata más ancha que la otra) para reducir el riesgo de choque eléctrico. El equipo debe utilizarse con una extensión adecuada de 2 o 3 cables. Las conexiones polarizadas solamente ajustan de una manera. Asegúrese que la conexión hembra de la extensión tenga una ranura grande y una más pequeña. Si la clavija no se ajusta completamente a la extensión, inviértala. Si aún así no ajusta, consiga una extensión adecuada. Si la extensión no

se ajusta por completo a la toma de corriente comuníquese con un electricista calificado para que le instale la toma de corriente adecuada. Por ningún motivo cambie la clavija en la herramienta o en la extensión de ninguna manera.



⚠ ADVERTENCIA DE SEGURIDAD ESPECIFICA

⚠ ADVERTENCIA: El polvo creado al usar herramientas eléctricas para césped y jardín contiene sustancias químicas que se sabe producen cáncer, defectos de nacimiento y otros defectos del sistema reproductor.

Algunos ejemplos de estas sustancias químicas son:

- la sílice cristalina de la arena, ladrillos y otros polvos de albañilería
- el arsénico y el cromo de la madera tratada químicamente (CCA)
- compuestos en los fertilizantes
- compuestos en insecticidas, herbicidas y pesticidas

Los riesgos que se corren a causa del contacto con esos productos varían, dependiendo del ambiente en que usted trabaja y la frecuencia con que usted realice este tipo de trabajo. Para reducir la exposición a estas sustancias químicas, siga las instrucciones para aplicar productos químicos tales como fertilizantes, insecticidas, herbicidas o pesticidas. Al utilizar herramientas eléctricas, use equipo de seguridad como guantes así como mascarillas contra el polvo especialmente diseñadas para filtrar partículas microscópicas.

CONSERVE ESTE MANUAL PARA FUTURAS CONSULTAS.

INSTRUCCIONES PARA EL ENSAMBLAJE

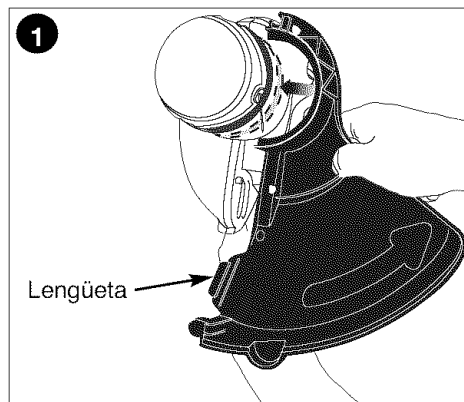
HERRAMIENTAS NECESARIAS PARA EL MONTAJE (NO INCLUIDAS):

- Destornillador Phillips

COLOCACIÓN DEL PROTECTOR DE DOS PIEZAS

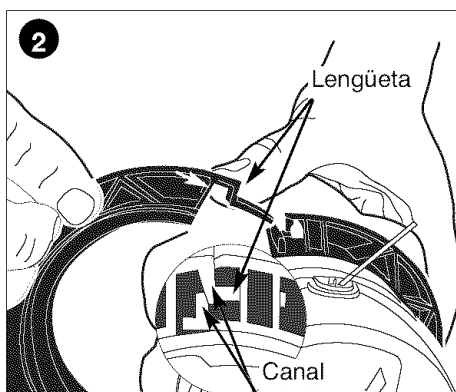
⚠ ADVERTENCIA: DESENCHUFE LA HERRAMIENTA ANTES DE INSTALAR EL PROTECTOR. NUNCA OPERE LA HERRAMIENTA SIN EL PROTECTOR ADECUADAMENTE INSTALADO. EL PROTECTOR SIEMPRE DEBE ESTAR INSTALADO EN LA HERRAMIENTA PARA PROTEGER AL USUARIO.

- Retire de la caja las dos secciones del protector.
- Coloque la **primera** sección del protector. Para ello, inserte la lengüeta lateral dentro de la ranura alrededor de la cubierta, como se muestra en la **figura 1**. Alinee el orificio del protector con el poste de la cubierta de la podadora.

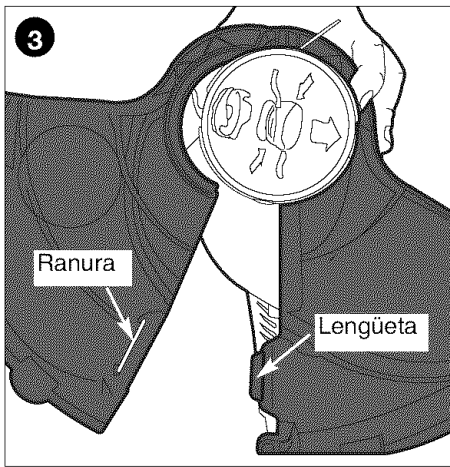


- Retire el tornillo de la segunda sección del protector.
- Inserte la **lengüeta superior** de la segunda sección del protector en la primera sección del protector, como se muestra en la **figura 2**.

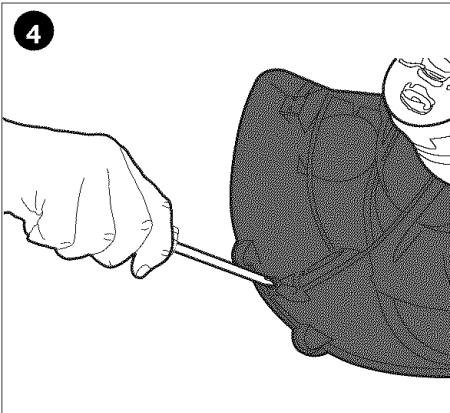
NOTA: El canal detrás de la lengüeta debe engancharse por encima del canal de la primera sección del protector. (Consulte el recuadro en la figura 2).



- Inserte la lengüeta lateral de la primera sección del protector en la ranura de la segunda sección del protector hasta que escuche que encajen (**figura 3**).



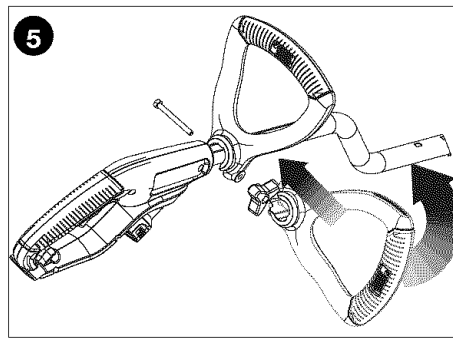
- Para completar el ensamblado del protector, ajuste el tornillo de 19 mm (3/4 pulg.), como se muestra en la **figura 4**.



- Una vez instalado, retire la cubierta de la hoja de corte de la cuerda, ubicada en el extremo de la segunda sección del protector.

COLOCACIÓN DEL MANGO AUXILIAR

- Para colocar el mango en el eje metálico de la podadora, empujelo sobre el eje desde el lateral. Después de haberlo empujado sobre el eje metálico, orientelo en la dirección correcta.
- Inserte el perno de 64 mm (2-1/2 pulg.) a través de los orificios del mango y enrosque la perilla plástica, como se muestra en la **figura 5**.

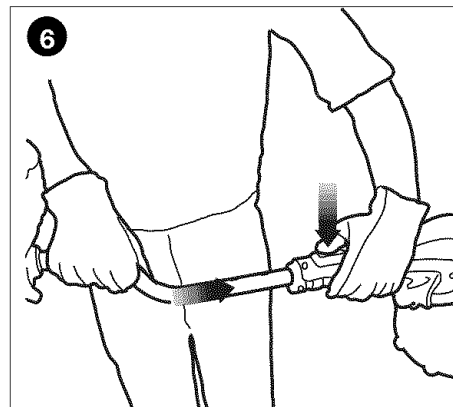


- Para mayor comodidad y control, ajuste el mango auxiliar de acuerdo con su altura. Los usuarios de menor estatura deben ajustarlo a una posición más baja (más lejos del cuerpo) y aquellos de mayor estatura, a una posición más alta (más cerca del cuerpo). El mango se debe ajustar de manera que el brazo delantero esté recto cuando la podadora esté en posición de trabajo.

AJUSTE DE ALTURA

- Para ajustar la altura general de la podadora, puede presionar el botón de conversión que se muestra en la **figura 6** y mover el tubo de metal hacia arriba o hacia abajo hasta que encaje en una de las tres ranuras rectangulares del tubo.

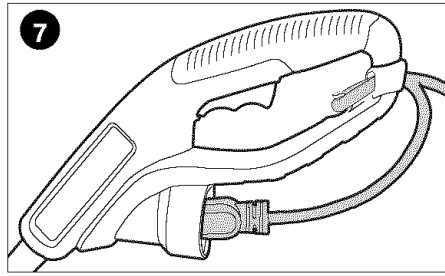
⚠ PRECAUCIÓN: Suelte el botón y empuje el tubo hacia abajo, para asegurarse de que este último esté trabado en su lugar.



COLOCACIÓN DEL CABLE PROLONGADOR

- El mango del interruptor tiene incorporado un dispositivo de retención del cable prolongador (**figura 7**) que evita que el cable se desenchufe. Para utilizarlo, simplemente doble aproximadamente 203 mm (8 pulg.) del cable prolongador desde el extremo y colóquelo en la ranura que está en la parte inferior del área del mango. Para enganchar el bucle que se forma, doble el cable sobre la lengüeta. Jale suavemente del cable para asegurarse de que quede

firmemente retenido en el mango de la podadora. Enchufe el extremo del receptáculo del cable prolongador en las hojas del enchufe de la podadora.



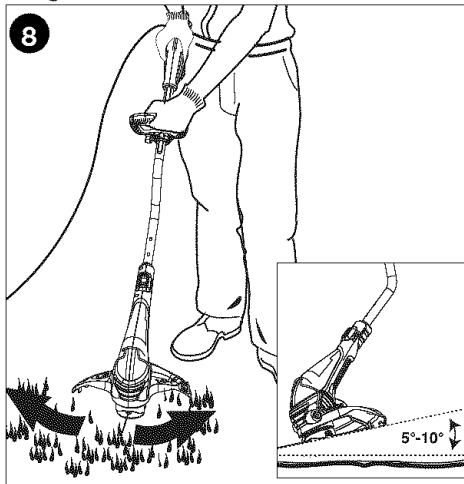
INSTRUCCIONES DE OPERACIÓN

⚠ ADVERTENCIA: *Utilice siempre la protección para los ojos adecuada que cumple con la norma ANSI Z87.1 (CAN/CSA Z94.3) mientras opera esta herramienta.*

⚠ PRECAUCIÓN: Inspeccione el área que desea podar y retire cualquier cable, alambre u objeto similar a un cordón que pueda atascarse en la cuerda o el carrete giratorio. Tenga especial precaución a fin de evitar cables que estén doblados hacia afuera del trayecto de la herramienta, como las púas en la base de un alambre de púas.

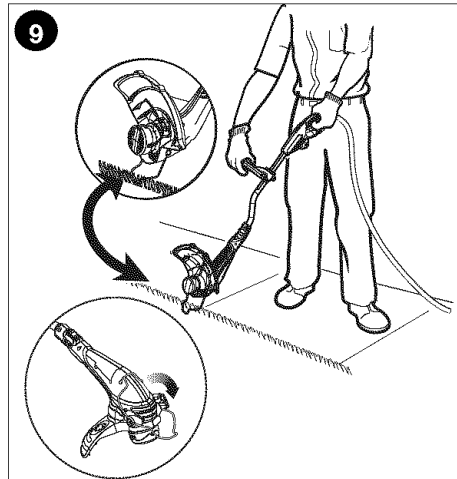
ENCENDIDO Y APAGADO

- Para encender la herramienta, presione la palanca del interruptor.
- Para apagar la herramienta, suelte la palanca del interruptor.
- Con la unidad encendida, gire lentamente la podadora en ángulos de lado a lado, como se muestra en la **figura 8**.



- Para usarla como bordeadora de mantenimiento, desenchufe la podadora de la fuente de alimentación. Presione el botón de conversión y gire el tubo 180°, como se muestra en la **figura 6**. La herramienta se bloqueará en posición. Jale suavemente la guía del borde del cable hacia abajo en el lugar y ubique la podadora sobre la superficie, como se muestra en la **figura 9**.

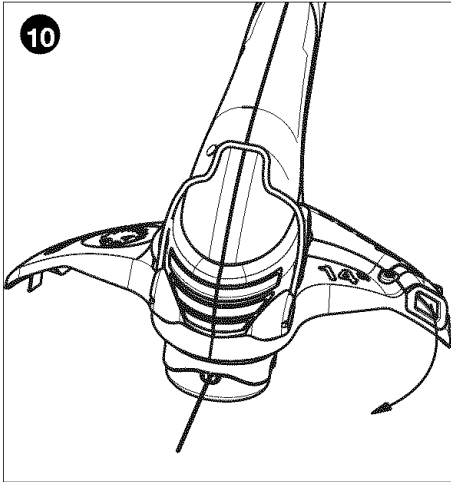
- Para volver a la posición de podadora, desenchufe la unidad de la fuente de alimentación, presione el botón de conversión y gire el tubo 180° nuevamente. La herramienta se bloqueará en la posición de podadora. Al utilizar la herramienta, coloque la guía del borde del cable en la posición original, fuera del trayecto.



FUNCIÓN DE SOPLADORA (FIGURA 10)

El flujo de aire creado por el motor atraviesa el protector y proporciona la función de sopladora incorporada.

Esta función se puede utilizar para soplar recortes de césped de aceras y otras áreas de superficie dura.



CUERDA DE CORTE/ ALIMENTACIÓN DE LA CUERDA

Su podadora utiliza una cuerda de nylon **REDONDA** de 1,7 mm (0,065 pulg.) de diámetro. Durante el uso, las puntas de las cuerdas de nylon se deshilarán y desgastarán, y la bobina de la cuerda de alimentación automática especial se autoalimentará y recortará la cuerda para proporcionar una punta nueva. La cuerda de corte se desgastará más rápido y necesitará más alimentación si el corte o el borde se realiza cerca de aceras u otras superficies abrasivas, o si se cortan malezas más espesas. El mecanismo avanzado de alimentación automática de la cuerda detecta cuándo se necesita más cuerda de corte y alimenta y corta la longitud correcta de cuerda según sea necesario. No deje caer la unidad al intentar alimentar una cuerda ni por algún otro motivo.

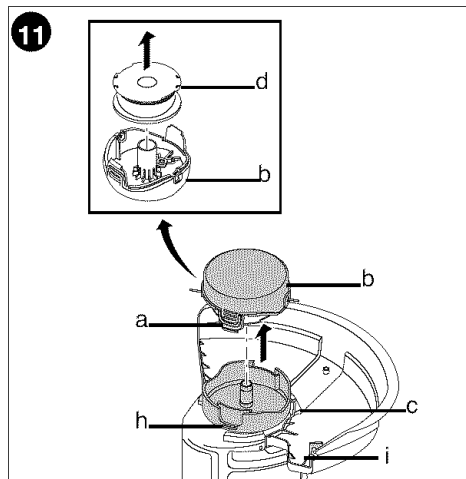
COLOCACIÓN DE UN CARRETE NUEVO AFS (BOBINA DE ALIMENTACIÓN AUTOMÁTICA) DE CUERDA DE CORTE (FIGURAS 11 Y 12)

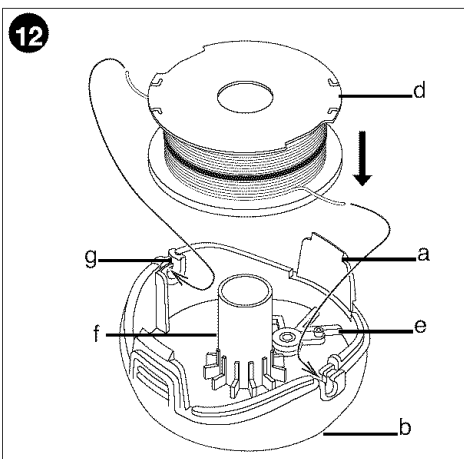
- Desenchufe la herramienta.
- Suelte las lengüetas (a) y retire el cassette (b) de la cubierta del cassette

(c) que está en el cabezal de corte (figura 11).

- Tome el carrete vacío (d) con una mano y el cassette con la otra, y retire el carrete del cassette. Si la palanca (e) de la base del cassette se desprende, vuélvala a poner en la posición correcta antes de insertar el nuevo carrete en el cassette.
- Limpie cualquier resto de suciedad o césped en el cassette y la cubierta.
- Tome el carrete nuevo y empújelo sobre la saliente (f) (figura 12) del cassette. Gire ligeramente el carrete hasta que esté bien colocado.
- Afloje el extremo de una de las cuerdas de corte y ponga la cuerda dentro de uno de los orificios (g). **Figura 12.** La cuerda debe sobresalir aproximadamente 111 mm (4-3/8 pulg.) por afuera del cassette.
- Afloje el extremo de la otra cuerda de corte y ponga la cuerda dentro del otro orificio. La cuerda debe sobresalir aproximadamente 111 mm (4-3/8 pulg.) por afuera del cassette.
- Alinee las lengüetas del cassette (a) con las ranuras (h) de la cubierta (figura 11).
- Empuje el cassette dentro de la cubierta hasta que encaje firmemente en su lugar.

PRECAUCIÓN: Para evitar que la herramienta se dañe, si las cuerdas de corte sobresalen más allá de la hoja de corte (i), córtelas de manera que sólo lleguen hasta la hoja (figura 11).

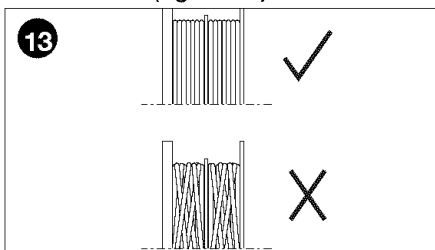




CÓMO ENROLLAR UNA NUEVA CUERDA EN UN CARRETE VACÍO (FIGURAS 13 Y 14)

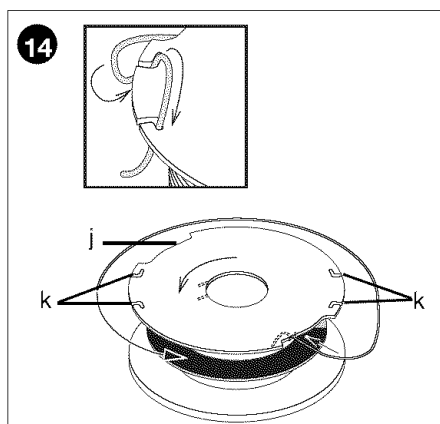
Puede enrollar una cuerda de corte nueva en un carrete vacío. Puede solicitar paquetes de repuesto de cuerda de corte de 1,7 mm (0,065 pulg.) a su tienda Sears.

- Retire el carrete vacío de la herramienta como se indica en "COLOCACIÓN DE UN CARRETE NUEVO AFS (BOBINA DE ALIMENTACIÓN AUTOMÁTICA) DE CUERDA DE CORTE".
 - Retire cualquier resto de cuerda de corte del carrete.
 - Primero, enrolle la nueva cuerda en la parte más elevada del carrete.
 - Introduzca 19 mm (3/4 pulg.) de cuerda de corte en una de las ranuras de anclaje de la cuerda.
 - Enrolle la cuerda de corte en el carrete en la dirección de la flecha que está en el carrete.
- Asegúrese de enrollar la cuerda prolijamente y en capas. No la entrecruce (figura 13).



- Cuando la cuerda de corte enrollada llegue a las ranuras (j), corte la cuerda. (Figura 14).
- Detenga temporalmente la cuerda en las ranuras de retención (k) en uno de los costados del carrete, como se muestra en el recuadro de la figura 14.

- Repita el procedimiento para la segunda cuerda de corte en la sección inferior del carrete.



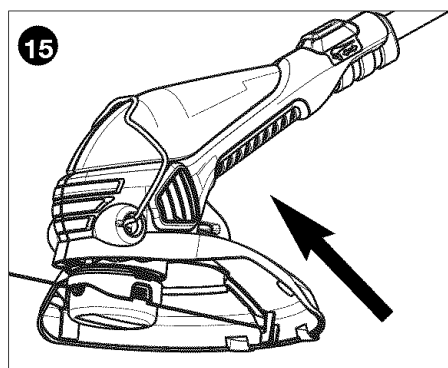
- Instale el carrete en la herramienta como se indica en "COLOCACIÓN DE UN CARRETE NUEVO DE CUERDA DE CORTE".
- ▲ **PRECAUCIÓN:** Antes de comenzar a podar, asegúrese de usar sólo el tipo apropiado de cuerda de corte y de que la cuerda de corte esté presente en ambas secciones del carrete (figura 12).

MANTENIMIENTO

IMPORTANTE: Para garantizar la SEGURIDAD y la CONFIABILIDAD del producto, las reparaciones, el mantenimiento y los ajustes se deben realizar en un centro de mantenimiento Sears u otro centro de mantenimiento calificado, utilizando siempre piezas de repuesto idénticas.

▲ **ADVERTENCIA:** Para evitar lesiones graves, apague y desenchufe la herramienta antes de realizar cualquier tipo de mantenimiento.

1. Mantenga limpias las ranuras de admisión de aire (Figura 15) para evitar el sobrecalentamiento.



2. La cuerda de la podadora puede secarse con el tiempo. Para conservar la cuerda en óptimas condiciones, guarde los carretes pre-enrollados de repuesto o la cuerda en paquete en una bolsa sellada de plástico con una cucharada de agua.
3. Las piezas de plástico pueden limpiarse utilizando jabón suave y un paño húmedo.
4. La cortadora de cuerda en el extremo del protector puede perder filo con el tiempo. Se recomienda mantener periódicamente el filo de la hoja con una lima.

ACCESORIOS

Utilice el carrete de repuesto de Craftsman modelo n.º 85942. Vuelva a cargar la cuerda de nylon (de paquete o el carrete de repuesto pre-enrollado) como se describe en este manual.

- UTILICE SOLAMENTE CUERDA DE MONOFILAMENTO DE 1,7 mm (0,065 pulg.) DE DIÁMETRO. No utilice cuerdas dentadas o de mayor calibre ya que sobrecargarán el motor y provocarán sobrecalentamiento. La unidad sólo funciona correctamente con cuerdas de monofilamento de nylon de 1,7 mm (0,065 pulg.) de diámetro. Puede conseguir esta cuerda en su tienda Sears local o en otros locales de venta de productos Craftsman.

⚠ **ADVERTENCIA:** El uso de accesorios no recomendados por Sears para esta

DETECCIÓN DE PROBLEMAS

herramienta puede ser peligroso.

⚠ **ADVERTENCIA:** Para evitar lesiones graves, apague y desenchufe la

herramienta antes de realizar cualquier tipo de mantenimiento.

La herramienta funciona lentamente

- Verifique que la cubierta del cassette pueda girar libremente. Si es necesario, límpiela cuidadosamente.
- Verifique que la cuerda de corte no sobresalga más de 111 mm (4-3/8 pulg.) del cassette aproximadamente. Si sobresale más, corte el excedente de manera que esté a la altura de la cuerda de la hoja de corte.

La alimentación automática de la cuerda no funciona

- Mantenga las lengüetas presionadas y retire el cassette de la cubierta en el cabezal de corte.
- Tire de la cuerda de corte hasta que sobresalga 111 mm (4-3/8 pulg.) del cassette. Si la cuerda de corte que queda en el carrete es insuficiente, instale un nuevo carrete de cuerda de corte.
- Alinee las lengüetas en el cassette con las muescas de la cubierta.
- Empuje el cassette dentro de la cubierta hasta que encaje firmemente en su lugar.
- Si la cuerda de corte sobresale más allá de la hoja de corte, corte el excedente de manera que esté a la altura de la hoja.

Si la alimentación automática de la cuerda aún no funciona o el carrete está atascado, haga lo siguiente:

- Limpie cuidadosamente el cassette y la cubierta.
- Retire el carrete y verifique si la palanca en el cassette se puede mover libremente.
- Retire el carrete y desenrolle la cuerda de corte, para luego volver a enrollarla prolijamente. Vuelva a poner el carrete dentro del cassette.

¿NECESITA MÁS AYUDA?

Encontrará respuestas y más en managemyhome.com en forma gratuita.

- Encuentre éste y todos los otros manuales de productos en línea.
- Obtenga respuestas de nuestro equipo de expertos en el hogar.
- Reciba un plan de mantenimiento personalizado para su hogar.
- Encuentre información y herramientas útiles para sus proyectos domésticos.

manage my home

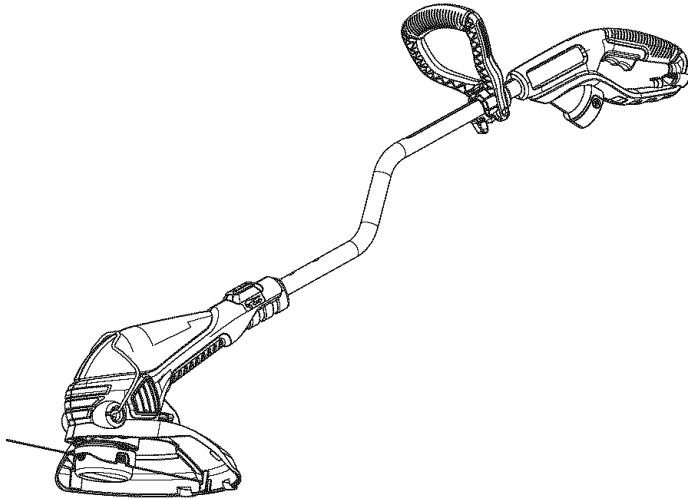
Auspiciado por Sears

LE MANUEL DE L'OPÉRATEUR



TAILLE-BORDURE/COUPE BORDURE

No de catalogue C935.51850



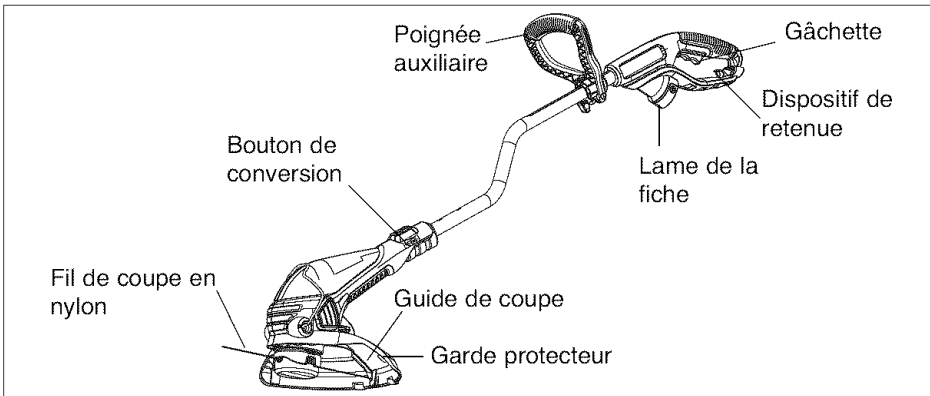
⚠ MISE EN GARDE :

S'assurer d'avoir bien lu et compris toutes les directives contenues dans le présent guide, y compris les consignes de sécurité et les modes d'emploi énumérés ci-dessous, avant d'utiliser l'outil.

- Sécurité
- Fonctionnement
- Entretien

Sears Canada Inc., Toronto, Ontario, M5B 2B8
www.sears.ca

DIAGRAMME DU TAILLE-BORDURE/COUPE BORDURE



GARANTIE SEARS

GARANTIE CRAFTSMAN COMPLÈTE D'UN AN

Si cet outil Craftsman ne fonctionne pas en raison de défauts de matériel ou de fabrication, en deçà d'un an à compter de la date d'achat, le retourner à un magasin Sears ou à tout autre revendeur Craftsman aux Canada pour un remplacement sans frais.

La présente garantie ne couvre pas le fil de coupe qui est une pièce non récupérable. À partir de la date d'achat, la présente garantie n'est valide que pour une période de 90 jours si ce produit n'est jamais utilisé à des fins commerciales ou de location.

Sears Canada Inc., Toronto, Ontario, M5B 2B8

⚠ AVERTISSEMENT : AVERTISSEMENTS DE SÉCURITÉ ET DIRECTIVES DE PREMIÈRE IMPORTANCE

RÉDUCTION DES RISQUES DE BLESSURES :

- Avant tout usage, s'assurer que tout utilisateur de cet outil lise et comprenne toutes les directives de sécurité ainsi que l'information comprise dans le présent manuel.
- Conserver ces directives et les examiner fréquemment avant d'utiliser l'appareil ou de donner des directives aux autres.

⚠ AVERTISSEMENT : Si des outils de jardinage sont utilisés, des précautions de base en matière de sécurité doivent être suivies afin de réduire le risque d'incendie, de choc électrique et de blessure corporelle, notamment les suivantes :

LIRE TOUTES LES DIRECTIVES

⚠ AVERTISSEMENTS ET DIRECTIVES DE SÉCURITÉ GÉNÉRALES POUR TOUS LES OUTILS

- **TOUJOURS PORTER UNE PROTECTION OCULAIRE** - Porter des lunettes ou des lunettes protectrices en tout temps lorsque cet outil est branché.
- **DISPOSITIF DE PROTECTION** - Ne pas utiliser cet outil sans les dispositifs de protection en place.
- **S'HABILLER DE MANIÈRE APPROPRIÉE** - Ne pas porter de vêtements amples ni de bijoux. Ils

peuvent s'enchevêtrer dans les pièces mobiles. Des gants en caoutchouc et des chaussures adéquates à semelles en caoutchouc sont recommandés lors de travaux à l'extérieur. Ne pas utiliser l'outil avec les pieds nus ou des sandales ouvertes. Porter des pantalons longs pour protéger vos jambes. Se couvrir les cheveux s'ils sont longs.

- **FIL EN NYLON** - Tenir le visage, les mains et pieds loin du fil de nylon rotatif en tout temps.
- **LE FIL EN ROTATION EXÉCUTE UNE COUPE** - Être attentif lors de taillage autour de grillages et de plates-bandes.
- **TENIR ÉLOIGNÉ TOUS LES SPECTATEURS** - À une distance sécuritaire de l'aire de travail, particulièrement les enfants.
- **AVERTISSEMENT IMPORTANT :** lorsque l'outil est utilisé comme coupe bordure, des pierres, morceaux de métal et autres objets peuvent être projetés à haute vitesse par le fil. L'outil et le dispositif de protection sont conçus pour réduire le risque. Toutefois, les précautions spéciales suivantes doivent être prises :
 - **S'ASSURER** que toute personne et animaux sont éloignés d'au moins 30 m (100 pi).
 - **POUR RÉDUIRE LE RISQUE** de blessures par ricochet, travaillez en vous éloignant de tout objet solide tel un mur, des marches, de grosses pierres, d'arbres, etc. Soyez très prudent lors de travaux près d'objets solides et, le cas échéant, taillez ou coupez manuellement.
 - **ÉVITER LES DÉMARRAGES ACCIDENTELS** - Ne pas transporter d'outil branché avec le doigt sur la détente.
 - **NE PAS FORCER L'OUTIL** - à tourner à une vitesse plus rapide que celle pour laquelle il est capable de couper efficacement.
 - **UTILISER LE BON OUTIL** - Ne pas utiliser cet outil pour tout autre type de travail sauf pour celui pour lequel il est prévu.
 - **NE PAS TROP TENDRE LES BRAS** - Conserver son équilibre en tout temps.
 - **NE PAS UTILISER LE CORDON DE FAÇON ABUSIVE** - Ne pas tirer sur le cordon d'alimentation pour le débrancher. Tenir le cordon éloigné de la chaleur, de l'huile et des bords tranchants.
 - **OUTIL ENDOMMAGÉ** - Si vous frappez ou devenez enchevêtré dans un objet, arrêtez immédiatement l'outil, débranchez-le puis inspectez pour toute trace de dommages qui devront être réparés avant une autre utilisation. Ne pas utiliser avec un moyeu ou une bobine brisés.
 - **CORDON D'ALIMENTATION ENDOMMAGÉ** - Tenir éloigné le cordon d'alimentation du fil rotatif. En cas de dommages au cordon d'alimentation, débranchez-le de la prise avant de déplacer l'outil ou d'inspecter le dommage. Un cordon endommagé doit être remplacé avant sa prochaine utilisation.
 - **DÉBRANCHER L'OUTIL** – Lorsque inactif, lors de remplacement de fil ou avant un nettoyage.
 - **ÉVITER LES CONDITIONS ENVIRONNEMENTALES DANGEREUSES** - Ne pas utiliser d'outils électriques dans des lieux humides ou mouillés. Suivre toutes les directives de ce mode d'emploi pour une utilisation adéquate de votre outil. Ne pas utiliser l'outil sous la pluie.
 - **NE PAS UTILISER** d'outils électriques portatifs dans un milieu gazeux ou déflagrant. Les moteurs de ces outils produisent normalement des étincelles qui pourraient enflammer des vapeurs.
 - **RANGER LES OUTILS INUTILISÉS À L'INTÉRIEUR** – Lorsqu'ils ne sont pas utilisés, les outils doivent être rangés à l'intérieur, dans un endroit sec et verrouillé, hors de portée des enfants.
 - **UN DISJONCTEUR DE FUITE DE TERRE** doit être installé pour protéger les circuits ou prises utilisés pour cet appareil électrique de jardin. Des prises avec fonction de disjoncteur de fuite de terre intégrées sont aussi disponibles et peuvent être utilisées comme mesures de protection.
 - **FIXER LE CORDON D'ALIMENTATION** à l'aide du dispositif de retenue de celui-ci tel qu'illustré à la **figure 7**.
 - **ÊTRE VIGILANT** – Surveiller le travail effectué. Faire preuve de jugement. Ne pas utiliser l'outil en cas de fatigue.
 - **PRENDRE SOIN DES OUTILS ÉLECTRIQUES** – Suivre les directives figurant à la section Entretien. Inspecter régulièrement les rallonges électriques et remplacer si endommagées. Maintenir les poignées sèches, propres et exemptes d'huile et de graisse.
 - **VÉRIFIER LES PIÈCES ENDOMMAGÉES** – Avant toute utilisation ultérieure de l'appareil électrique, un dispositif de protection endommagé, ou toute autre pièce endommagée, doit être examiné soigneusement afin d'assurer un fonctionnement adéquat selon sa fonction prévue. Vérifier l'alignement des pièces mobiles, la présence de grippage des pièces mobiles, de rupture de pièces, la fixation et tout autre problème pouvant nuire au fonctionnement de l'outil. Un dispositif de protection endommagé, ou toute autre pièce endommagée, doit être réparé ou remplacé adéquatement par

un centre de réparation autorisé à moins d'un avis contraire indiqué dans le présent mode d'emploi.

⚠ AVERTISSEMENT : Pour réparer tout outil à double isolation, VEUILLEZ UTILISER DES PIÈCES DE RECHANGE IDENTIQUES. Remplacer ou réparer les cordons endommagés.

⚠ AVERTISSEMENT : Pour prévenir un choc électrique ou une électrocution, se servir uniquement d'une rallonge convenant à une utilisation à l'extérieur. Toujours brancher les rallonges à une prise avec fusible ou protégée par un disjoncteur.

⚠ AVERTISSEMENT : Afin de prévenir les risques de secousses électriques, utiliser seulement un cordon de rallonge prévu pour l'extérieur (SW-A, SOW-A, STW-A, STOW-A, SJW-A, SJOW-A, SJTW-A ou SJTOW-A).

• **CORDON DE RALLONGE** - S'assurer que le cordon de rallonge est en bon état. Lorsqu'on se sert d'un cordon de rallonge, s'assurer qu'il est de calibre approprié pour la tension nécessaire au fonctionnement de l'outil. L'utilisation d'un cordon de calibre inférieur occasionne une baisse de tension entraînant une perte de puissance et la surchauffe. Le tableau de la page

suivante indique le calibre approprié selon la longueur du cordon et les mentions de la plaque signalétique de l'outil. En cas de doute, utiliser un cordon de calibre supérieur. Le chiffre indiquant le calibre est inversement proportionnel au calibre du cordon.

Calibres minimaux					
Tension	Longueur totale du cordon en pieds				
120 V	0 à 25	26 à 50	51 à 100	101 à 150	
240 V	0 à 50	51 à 100	101 à 200	201 à 300	
INTENSITÉ (AMPÈRES)					
PLUS PAS					
DE	PLUS	DE	Calibre moyen de fil (AWG)		
0	-	6	18	16	14
6	-	10	18	16	14
10	-	12	16	16	14
12	-	16	14	12	Non recommandé

⚠ AVERTISSEMENTS SUPPLÉMENTAIRES POUR MINITONDEUSES À FIL ROTATIF

1. NE PAS immerger l'outil dans l'eau ou l'arroser au boyau. ÉVITER la pénétration de tout liquide dans l'outil.
2. Ne pas ranger l'outil sur des engrais ou des produits chimiques ou près de ceux-ci.
3. NE PAS nettoyer avec un nettoyeur à pression.

⚠ MESURES DE SÉCURITÉ : DOUBLE ISOLATION

Les outils à double isolation comportent deux couches distinctes d'isolant électrique ou une double épaisseur d'isolant qui protègent l'utilisateur contre les risques de blessures provenant du système électrique de l'outil. Ce système de double isolation élimine le besoin de mettre les outils à la terre. En effet, l'outil est muni d'une fiche à deux broches, ce qui permet d'utiliser une rallonge ordinaire sans avoir à se soucier d'assurer la mise à la terre.

La double isolation ne dispense pas des mesures de sécurité normales lors de l'utilisation de l'outil. Elle vise à procurer une protection supplémentaire contre les blessures que peut entraîner une défectuosité de l'isolant électrique à l'intérieur de l'outil.

PIÈCES DE RECHANGE : Lors de l'entretien, N'UTILISER QUE DES PIÈCES DE RECHANGE IDENTIQUES. Réparer ou remplacer les cordons endommagés.

⚠ MESURES DE SÉCURITÉ : FICHE POLARISÉE

Afin de minimiser les risques de secousses électriques, le produit comporte une fiche polarisée (une lame plus large que l'autre). Il faut utiliser une rallonge polarisée appropriée, bifilaire ou trifilaire, avec ce produit. Ce genre de fiche n'entre que d'une façon dans une prise polarisée. S'assurer que la prise de la rallonge comporte des fentes de dimensions appropriées. Lorsqu'on ne peut insérer la fiche à fond dans la

prise de la rallonge, il faut tenter de le faire après avoir inversé les lames de côté. Si la fiche n'entre toujours pas dans la prise, il faut se procurer une rallonge appropriée. Lorsqu'on ne peut insérer la fiche de la rallonge à fond dans la prise, il faut communiquer avec un électricien certifié. Il ne faut pas neutraliser la fiche de l'outil ni celle de la rallonge.

CONSIGNE DE SÉCURITÉ PARTICULIÈRE

⚠ AVERTISSEMENT : Certains outils électriques utilisés pour traiter la pelouse et le jardin peuvent produire de la poussière contenant des produits chimiques susceptibles d'entraîner le cancer, des malformations congénitales ou pouvant être nocifs pour le système reproductif.

Parmi ces produits chimiques, on retrouve :

- la silice cristalline dans le sable, les briques et autres poussières de maçonnerie,
- l'arsenic et le chrome dans le bois de sciage ayant subi un traitement chimique (comme l'arséniate de cuivre et de chrome),
- les engrais et leurs composés,
- les insecticides, herbicides et pesticides et leurs composés.

Le risque associé à de telles expositions varie selon le milieu et la fréquence avec laquelle on effectue ces travaux. Pour réduire l'exposition à de tels produits, il faut suivre à la lettre les directives inscrites sur l'étiquette des produits chimiques comme les engrais, les insecticides, les herbicides ou les pesticides. Lorsqu'on utilise de tels outils, on doit porter le matériel de sécurité approprié, tel des gants ou un masque anti-poussières, spécialement conçu pour filtrer les particules microscopiques.

CONSERVER LES PRÉSENTES DIRECTIVES À TITRE DE RÉFÉRENCE

DIRECTIVES DE MONTAGE

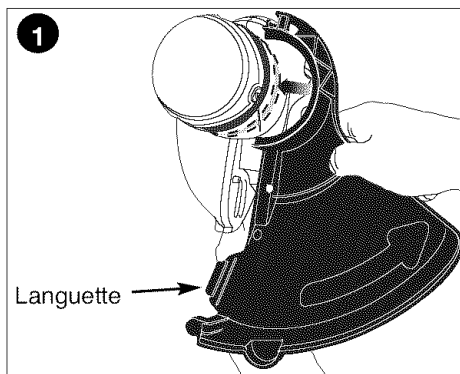
OUTILS NÉCESSAIRES POUR L'ASSEMBLAGE (NON COMPRIS) :

- tournevis cruciforme

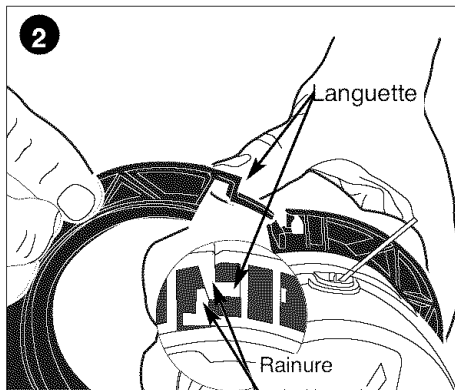
FIXATION DU DISPOSITIF DE PROTECTION À DEUX PIÈCES

⚠ AVERTISSEMENT : DÉBRANCHER L'OUTIL AVANT D'INSTALLER LE DISPOSITIF DE PROTECTION. NE JAMAIS UTILISER L'OUTIL SANS LE DISPOSITIF DE PROTECTION SOLIDEMENT ATTACHÉ. LE DISPOSITIF DE PROTECTION DOIT TOUJOURS ÊTRE EN PLACE SUR L'OUTIL POUR PROTÉGER L'OPÉRATEUR.

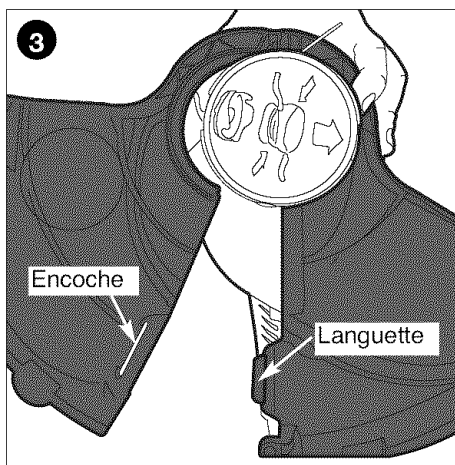
- Retirer les deux pièces qui composent le dispositif, de l'emballage.
- Fixer la **première** section du protège-lame en insérant d'abord l'onglet latéral dans la rainure autour du boîtier comme indiqué à la **figure 1**. Aligner le trou du protège-lame et le gougeon du boîtier du taille-bordure.



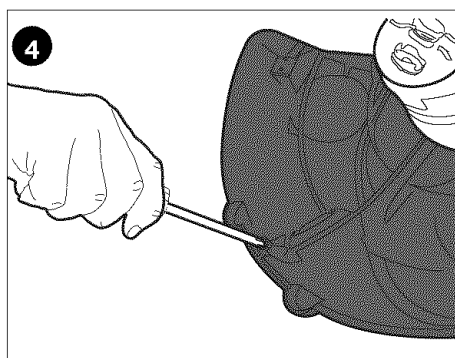
- Retirer la vis de la deuxième section du protège-lame.
- Insérer l'onglet **supérieur** de la deuxième section dans la première section comme indiqué à la **figure 2**. **REMARQUE :** engager la rainure derrière l'onglet au-dessus de la rainure de la première section du dispositif de protection. (consulter l'encadré de la figure 2).



- Insérer l'onglet **latéral** de la première section dans l'encoche de la deuxième section. Un « dé clic » se fait entendre lorsque les deux pièces sont bien engagées (**figure 3**).



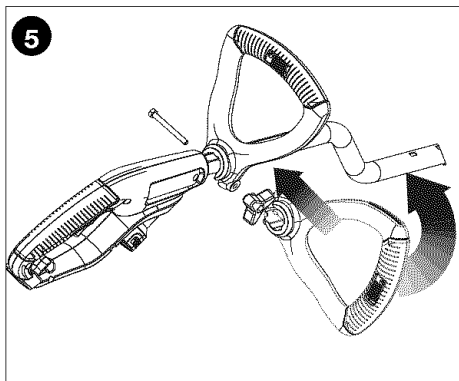
- Insérer la vis de 19 mm (3/4 po) pour terminer l'assemblage du protège-lame comme indiqué à la **figure 4**.



- Une fois le dispositif de protection en place, retirer l'enveloppe de la lame, pour la coupe du fil, située sur le bord de la deuxième section du dispositif de protection.

FIXATION DE LA POIGNÉE AUXILIAIRE

- Fixer la poignée à la tige métallique du taille-bordure en l'insérant sur la tige par le côté. Une fois insérée sur la tige, faire pivoter la poignée pour la fixer dans la bonne position.
- Insérer un boulon de 63,5 mm (2 1/2 po) dans les trous de la poignée et visser le bouton de plastique comme indiqué à la **figure 5**.

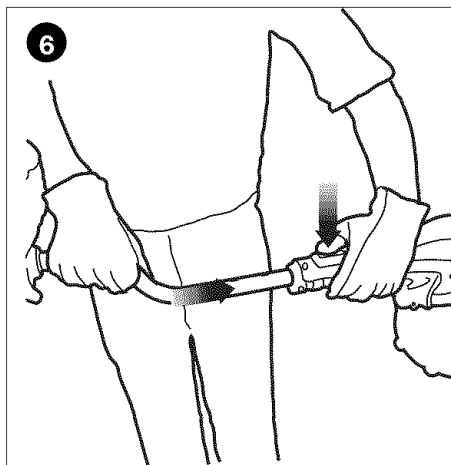


- Pour un maximum de confort et de maîtrise, régler la poignée auxiliaire à votre hauteur de travail. Les utilisateurs plus petits peuvent abaisser la poignée (l'éloigner de l'utilisateur) et ceux plus grands peuvent élever la position de la poignée (la rapprocher de l'utilisateur). Ajuster la poignée de sorte que le bras avant soit complètement droit lorsque le taille-bordure est en position de fonctionnement.

RÉGLABLE DE LA HAUTEUR

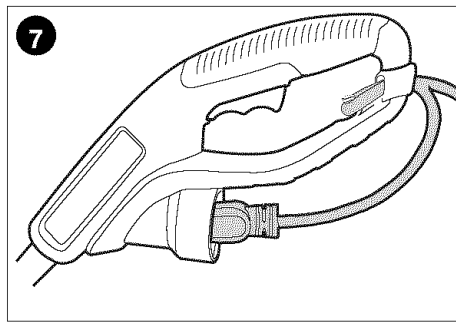
- Il est possible de régler la hauteur totale du taille-bordure. Pour ce faire, appuyer sur le bouton de conversion comme indiqué à la **figure 6**, déplacer le tube métallique vers le bas ou le haut dans l'une des trois encoches rectangulaires du tube jusqu'à ce qu'il s'engage avec un « déclic ».

▲ MISE EN GARDE : vérifier si le tube est bien engagé. Relâcher le bouton et tirer vers le bas sur le tube.



FIXATION DE LA RALLONGE

- Un dispositif de retenue (**figure 7**) est intégré dans la poignée de la gâchette pour empêcher le débranchement de la rallonge. Pour utiliser ce dispositif, replier simplement la rallonge en deux à environ 203 mm (8 po) de l'extrémité puis l'insérer dans l'encoche logée sous la poignée. Fixer la boucle ainsi formée en repliant la rallonge sur l'onglet. Tirer délicatement sur la rallonge afin de s'assurer que celle-ci est fermement retenue par la poignée du taille-haie. Insérer les lames du réceptacle du taille-bordure dans la fiche de la rallonge.



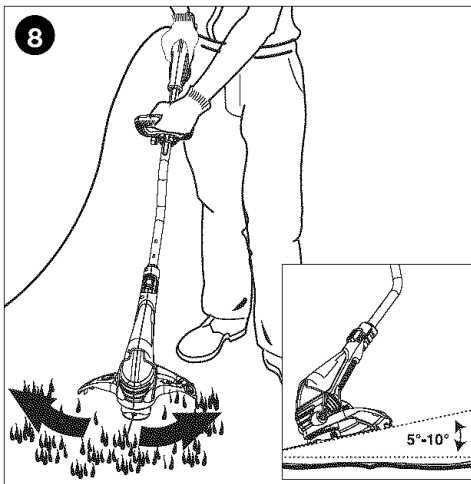
DIRECTIVES D'UTILISATION

▲ AVERTISSEMENT : *oujours utiliser une protection oculaire appropriée conforme à la norme ANSI Z87.1 (CAN/CSA Z94.3) lors de l'utilisation de cet outil électrique.*

▲ MISE EN GARDE : inspecter la zone qui sera taillée et retirer tout morceau de fil, de corde ou d'objets similaires qui pourraient s'enchevêtrer dans le fil rotatif ou avec la bobine. Être spécialement attentif et éviter, sur le parcours de l'outil, tout fil courbé vers l'extérieur comme les fils métalliques au pied d'une clôture à mailles losangées.

MISE EN MARCHÉ ET ARRÊT

- Pour mettre l'outil en marche, appuyer sur le levier de déclenchement.
- Pour éteindre l'outil, relâcher le levier de déclenchement.
- Avec le moteur en marche, incliner l'appareil et balancer lentement le taille-bordure d'un côté à l'autre tel qu'indiqué à la **figure 8**.

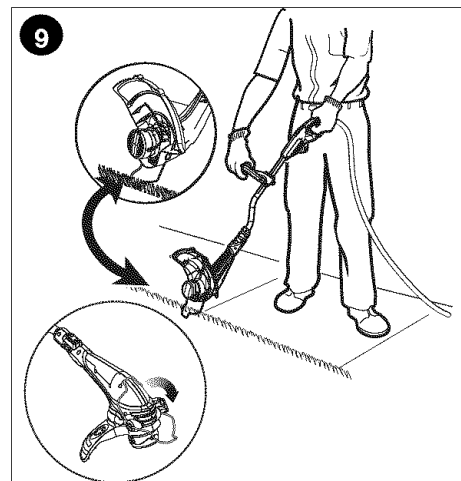


- Pour l'utilisation en tant que coupe-bordure d'entretien, débrancher l'appareil de la source d'alimentation.

Enfoncer le bouton de conversion et faire pivoter le tube d'un demi-tour (180°) comme indiqué à la **figure 6**.

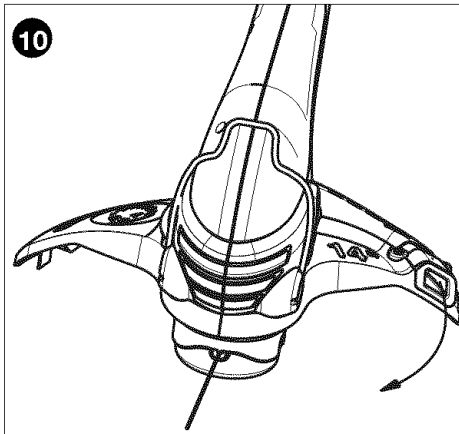
L'outil se bloquera en position. Tirer doucement sur le guide de coupe de bordure pour le mettre en place et positionner le taille-bordure comme indiqué à la **figure 9**.

- Pour revenir à la position de taille-bordure, débrancher l'appareil de la prise puis appuyer sur le bouton de conversion et retourner le tube de 180°. L'outil se verrouillera en position de taille-bordure. Lors de l'utilisation de l'outil, mettre le guide de coupe de bordure dans sa position d'origine, hors du parcours.



FNCTION DE SOUFFLEUR (FIGURE 10)

Le débit d'air produit par les entonnoirs du moteur tourbillonne sous le garde protecteur et souffle les débris vers l'extérieur. Cette fonction permet de souffler les brins d'herbe coupés hors des trottoirs et autres surfaces dures.

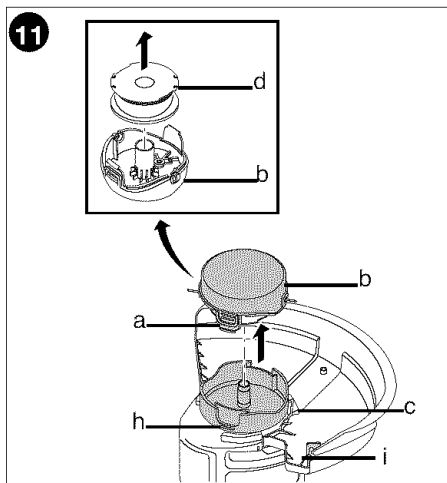


FIL TRANCHANT / AVANCE DU FIL

Votre taille-bordure utilise un fil de nylon **ROND** de 1,65 mm (0,065 po) de diamètre. En cours d'utilisation, les extrémités des fils de nylon s'effilocheront et s'useront. Le moyeu d'alimentation automatisé de fil fournira et coupera automatiquement une nouvelle longueur de fil. Le fil tranchant s'usera plus rapidement et exigera une quantité plus élevée de fil si la coupe ou le taillage s'effectue le long de trottoirs ou autres surfaces abrasives ou si des broussailles plus épaisses sont coupées. Le mécanisme évolué d'alimentation automatisée du fil perçoit la demande accrue de fil et fournit et coupe la bonne longueur de fil dès qu'elle est nécessaire. **NE PAS FRAPPER** l'appareil sur le sol pour alimenter l'appareil ou pour toute autre raison.

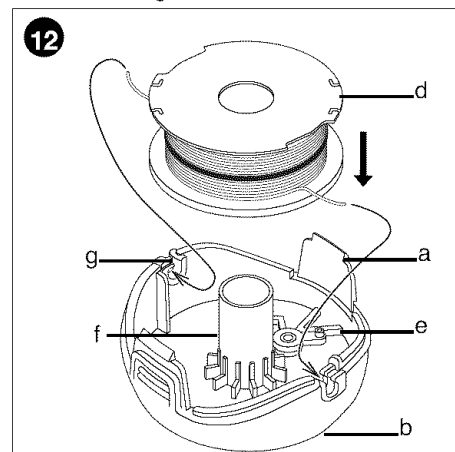
INSERTION D'UNE BOBINE AFS DE FIL NEUVE (FIGURES 11 ET 12)

- Débrancher l'outil.
- Enfoncer les languettes (a) et retirer la cassette (b) de son logement (c) dans la tête du taille-bordure (figure 11).
- En tenant la bobine vide (d) d'une main et la cassette de l'autre, tirer sur la bobine afin de la sortir de la cassette. Si le levier (e) situé à la base de la cassette se détache, le replacer en position correcte avant d'insérer la nouvelle bobine dans la cassette.



- Retirer l'herbe et les saletés présentes dans la cassette et son logement.
- Prendre la bobine neuve et l'enfoncer sur la saillie (f) (figure 12) de la cassette. Faire pivoter légèrement la bobine jusqu'à ce qu'elle soit bien installée.
- Détacher l'extrémité de l'un des fils de coupe et la faire passer par l'un des oeillets (g), figure 12. Faire sortir environ 111 mm (4 3/8 po) de fil de la cassette.
- Détacher l'extrémité de l'autre fil de coupe et la faire passer dans l'autre oeillet. Faire sortir environ 111 mm (4 3/8 po) de fil de la cassette.
- Aligner les languettes de la cassette (a) avec les encoches (h) du logement (figure 11).
- Placer la cassette dans son logement et appuyer jusqu'à ce qu'elle s'enclenche.

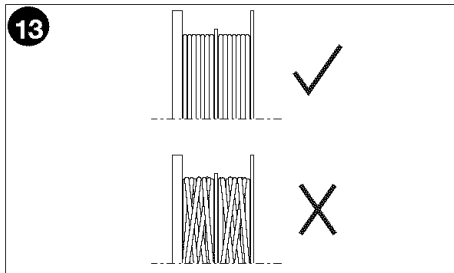
▲ MISE EN GARDE : si les fils dépassent la lame du taille-bordure (i), les couper de sorte qu'elles atteignent à peine la lame (figure 11) pour éviter d'endommager l'outil.



REBOBINAGE DE FIL NEUF SUR UNE BOBINE VIDE (FIGURES 13 ET 14)

Il est possible d'enrouler du fil de rechange sur une bobine vide. Les magasins Sears offrent des emballages de fil de coupe de rechange neuf de 1,65 mm (0,065 po).

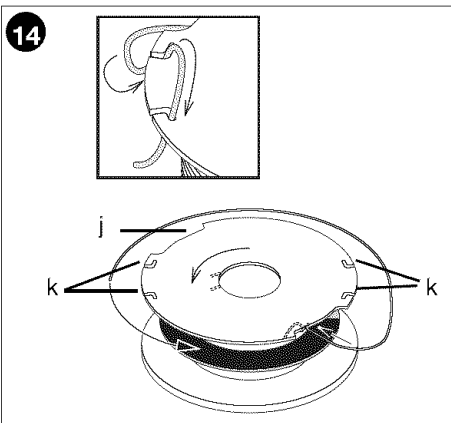
- Retirer la bobine vide de l'outil comme décrit sous la rubrique « **INSERTION D'UNE BOBINE AFS DE FIL NEUVE** ».
- Retirer tout reste de fil de coupe de la bobine.
- Enrouler le fil de rechange en commençant par la partie supérieure de la bobine.
 - Insérer 19 mm (3/4 po) de fil dans l'une des encoches d'ancrage.
 - Enrouler le fil de coupe sur la bobine dans la direction indiquée par la flèche sur la bobine. Prendre soin d'enrouler le fil de façon nette et ordonnée par couches successives. Ne pas croiser le fil (**figure 13**).



- Couper le fil enroulé lorsqu'il atteint les encoches (j) (**figure 14**).

- Placer temporairement le fil dans l'une des encoches de retenue (k) sur l'un des côtés de la bobine, comme indiqué sur l'encadré de la **figure 14**.

- Répéter la procédure ci-dessus pour le second fil de coupe sur la partie



- inférieure de la bobine.
- Mettre en place la bobine sur l'outil comme décrit sous la rubrique « Insertion d'une bobine de fil neuve ».

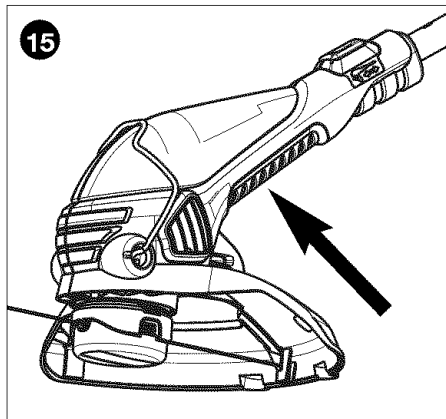
▲ MISE EN GARDE : avant de commencer à travailler avec le taille-bordure, s'assurer que le fil employé est le type de fil adéquat. Vérifier que le fil de coupe est présent dans les deux parties de la bobine (**figure 12**).

MAINTENANCE

IMPORTANT : pour assurer la **SÉCURITÉ** et la **FIABILITÉ** du produit, confier toute réparation et tout entretien ou réglage à un magasin Sears ou à un autre détaillant autorisé à faire des réparations. Toujours utiliser des pièces de rechange identiques.

▲ AVERTISSEMENT : pour éviter des blessures graves, éteindre et débrancher l'outil avant d'effectuer toute opération de maintenance.

1. Tenir les orifices de ventilation (**figure 15**) dégagés pour éviter la surchauffe.



2. Votre fil rotatif peut sécher avec le temps. Pour tenir votre fil en excellente condition, entreposer les bobines de rechange de fil pré-enroulé ou le fil en vrac dans un sac en plastique scellé contenant une cuillère d'eau.
3. Les pièces en plastique se nettoient avec un savon doux et un chiffon humide.
4. Le coupe fil sur le bord du dispositif de protection peut s'émousser avec le temps. Il est recommandé de s'assurer régulièrement que la lame est bien tranchante en utilisant une lime.

ACCESSOIRES

Utiliser la bobine de rechange Craftsman de modèle n° 51899.

Recharger le fil de nylon (en vrac ou préenroulé sur la bobine de rechange) selon les directives de ce mode d'emploi.

- UTILISER UNIQUEMENT DU FIL DE NYLON (MONOFILAMENT) DE 1,65 mm (0 065 po) DE DIAMÈTRE. Ne pas utiliser de fil dentelé ou de plus gros calibre, car ces fils surchargeront le moteur et provoqueront une surchauffe. L'appareil fonctionne correctement uniquement avec du fil de nylon (monofilament) de 1,65 mm (0 065 po) de diamètre. Ce fil est disponible auprès de votre détaillant local ou centre de réparation autorisé.

⚠ AVERTISSEMENT : l'utilisation de tout accessoire non recommandé par Sears, avec cet outil, pourrait s'avérer dangereuse.

DÉPANNAGE

⚠ AVERTISSEMENT : pour éviter des blessures graves, éteindre et débrancher l'outil avant d'effectuer toute opération de maintenance.

L'outil fonctionne lentement

- Vérifier que le logement de la cassette peut tourner librement. Le nettoyer avec précaution si nécessaire.
- S'assurer que le fil sort d'au plus 111

mm (4 3/8 po) de la cassette. Le cas échéant, le couper afin que sa longueur atteigne juste la lame de coupe.

L'alimentation automatique (AFS) ne fonctionne pas

- Maintenir les languettes enfoncées et retirer la cassette de son logement dans la tête du taille-bordure.
- Tirer environ 111 mm (4 3/8 po) de fil de coupe hors de la cassette. Si la longueur de fil restant sur la cassette est insuffisante, installer une nouvelle bobine de fil.
- Aligner les languettes de la cassette avec les fentes pratiquées dans le logement.
- Placer la cassette dans son logement et appuyer jusqu'à ce qu'elle s'enclenche.
- Si le fil dépasse au-delà de la lame de coupe, le couper de façon à ce qu'il atteigne juste la lame.

Si l'alimentation automatique de fil ne fonctionne toujours pas ou si la bobine se bloque, procéder comme suit :

- Nettoyer avec précaution la cassette et son logement.
- Retirer la bobine et vérifier que le levier dans la cassette peut se déplacer librement.
- Retirer la bobine et dérouler le fil de coupe, puis l'enrouler à nouveau de façon ordonnée. Replacer la bobine dans la cassette.

Besoin d'aide?

Il est possible de trouver les réponses et plus encore sur le site managemyhome.com – gratuitement!

- Consulter ce mode d'emploi et les modes d'emploi d'autres produits en ligne.
- L'équipe de spécialistes répond à toutes les questions.
- Il est possible d'obtenir un calendrier d'entretien personnalisé pour la maison.
- Trouver les informations et les outils nécessaires à tous les projets.

manage my home
est offerte par Sears



Get it fixed, at your home or ours!

Your Home

For expert troubleshooting and home solutions advice:

manage my home

www.managemyhome.com

For repair – **in your home** – of **all** major brand appliances, lawn and garden equipment, or heating and cooling systems, **no matter who made it, no matter who sold it!**

For the replacement parts, accessories and owner's manuals that you need to do-it-yourself.

For Sears professional installation of home appliances and items like garage door openers and water heaters.

1-800-4-MY-HOME®

(1-800-469-4663)

www.sears.com

Call anytime, day or night

(U.S.A. and Canada)

www.sears.ca

Our Home

For repair of carry-in items like vacuums, lawn equipment, and electronics, call anytime for the location of the nearest

Sears Parts & Repair Service Center

1-800-488-1222 (U.S.A.)

www.sears.com

1-800-469-4663 (Canada)

www.sears.ca

To purchase a protection agreement on a product serviced by Sears:

1-800-827-6655 (U.S.A.)

1-800-361-6665 (Canada)

Para pedir servicio de reparación a domicilio, y para ordenar piezas:

1-888-SU-HOGAR®

(1-888-784-6427)

Au Canada pour service en français:

1-800-LE-FOYER^{MC}

(1-800-533-6937)

www.sears.ca



© Sears Brands, LLC

® Registered Trademark / TM Trademark / SM Service Mark of Sears Brands, LLC

® Marca Registrada / TM Marca de Fábrica / SM Marca de Servicio de Sears Brands, LLC

^{MC} Marque de commerce / ^{MD} Marque déposée de Sears Brands, LLC