



Models/Modelos :795.7410#

# Kenmore Elite<sup>®</sup>

## Bottom Freezer Refrigerator

## Congelador Inferior Refrigerador

# = color number, número de color



MFL68680490  
Rev.00\_042318

Sears Brands Management Corporation  
Hoffman Estates, IL 60179 U.S.A.  
[www.kenmore.com](http://www.kenmore.com)



# TABLE OF CONTENTS

<b>Warranty</b> .....	3
<b>Product Record</b> .....	4
<b>Important Safety Instructions</b> .....	5-7
<b>Electrical &amp; Grounding Requirements</b> .....	7
<b>Parts and Features</b> .....	8
<b>Refrigerator Installation</b> .....	9-18
Unpacking Your Refrigerator .....	9
Installation .....	10
Removing/Replacing Handles, Doors, and Drawers.....	11-17
Leveling and Door Alignment .....	18
<b>Using Your Refrigerator</b> .....	19-33
Setting the Controls .....	19-20
Smart Features .....	21
Instructions for Smart Grid .....	22-23
Automatic Icemaker .....	24
Food Storage Guide .....	25
Refrigerator Shelves .....	26
Humidity Controlled Crisper .....	27
Temperature Controlled Pantry Drawer.....	27
Door Bin .....	27
Air Filter .....	28

<b>► Freezer Section</b>	
Extra Ice Bin .....	28
Durabase .....	29
Durabase Divider.....	29
Pullout Drawers .....	29
<b>Water Filter</b> .....	30-33
<b>Care and Cleaning</b> .....	33-34
General Cleaning Tips .....	33
Exterior .....	33
Inside Walls .....	33
Door Liner and Gaskets .....	33
Plastic Parts .....	33
Condenser Coils .....	33
Light Bulb Replacement .....	34
Power Interruptions .....	34
When You Go On Vacation .....	34
When You Move .....	34
<b>Connecting the Water Line</b> .....	35-37
<b>Troubleshooting Guide</b> .....	38-43
<b>Diagnostics</b> .....	44

# WARRANTY



## REFRIGERATOR WARRANTY

### KENMORE ELITE LIMITED WARRANTY

WITH PROOF OF SALE, the following warranty coverage applies when this appliance is correctly installed, operated and maintained according to all supplied instructions.

#### **One Year on Appliance**

FOR ONE YEAR from the date of sale this appliance is warranted against defects in material or workmanship. A defective appliance will receive free repair. If the appliance cannot be repaired it will be replaced free of charge. This warranty coverage applies for only 90 days from the sale date if the appliance is ever used for other than private household purposes.

#### **Five Years on Sealed Refrigerant System**

FOR FIVE YEARS from the date of sale, the sealed refrigerant system of this appliance is warranted against defects in material or workmanship.\* If a system part is defective within the first year, a new part will be supplied and installed at no charge. If a system part is defective after the first year, a new part will be supplied but not installed at no charge. You are responsible for the labor cost of part installation after the first year from the date of sale. This warranty coverage applies for only one year from the sale date if the appliance is ever used for other than private household purposes.

\*Defects must be verified by a Sears authorized service representative.

#### **Ten Years on Linear Compressor**

FOR TEN YEARS from the date of sale, the linear compressor of this appliance is warranted against defects in material or workmanship.\* If the compressor is defective within the first year, a new one will be supplied and installed at no charge. If the compressor is defective after the first year, a new one will be supplied but not installed at no charge. You are responsible for the labor cost of part installation after the first year from the date of sale. This warranty coverage applies for only two years from the sale date if the appliance is ever used for other than private household purposes.

\*Defects must be verified by a Sears authorized service representative.

#### **Lifetime on Storage Bins**

FOR AS LONG AS IT IS USED from the date of sale, a free replacement will be supplied for a defective refrigerator or freezer compartment storage bin.\* If the defect appears within the first year, a new bin will be installed at no charge. If the defect appears after the first year, a new bin will be supplied but not installed at no charge. This Lifetime warranty covers only storage bins, and does not apply to any other related component or mechanism. You are responsible for the labor cost of bin installation after the first year from the date of sale. This warranty coverage applies for only 90 days from the date of sale if the appliance is ever used for other than private household purposes. \*Warranty coverage applies to door bins, drawer bins and basket bins. Defects must be verified by a Sears authorized service representative.

For warranty coverage details to obtain free repair or replacement, visit the web page: [www.kenmore.com/warranty](http://www.kenmore.com/warranty)

This warranty covers ONLY defects in material and workmanship, and will NOT pay for:

1. Expendable items that can wear out from normal use, including but not limited to filters, belts, bags or screw-in base light bulbs.
2. A service technician to clean or maintain this appliance, or to instruct the user in correct appliance installation, operation and maintenance.
3. Service calls to correct appliance installation not performed by Sears authorized service agents, or to repair problems with house fuses, circuit breakers, house wiring, and plumbing or gas supply systems resulting from such installation.
4. Damage to or failure of this appliance resulting from installation not performed by Sears authorized service agents, including installation that was not in accord with electrical, gas or plumbing codes.
5. Damage to or failure of this appliance, including discoloration or surface rust, if it is not correctly operated and maintained according to all supplied instructions.
6. Damage to or failure of this appliance, including discoloration or surface rust, resulting from accident, alteration, abuse, misuse or use for other than its intended purpose.
7. Damage to or failure of this appliance, including discoloration or surface rust, caused by the use of detergents, cleaners, chemicals or utensils other than those recommended in all instructions supplied with the product.
8. Damage to or failure of parts or systems resulting from unauthorized modifications made to this appliance.
9. Service to an appliance if the model and serial plate is missing, altered, or cannot easily be determined to have the appropriate certification logo.

#### **Disclaimer of implied warranties; limitation of remedies**

Customer's sole and exclusive remedy under this limited warranty shall be product repair or replacement as provided herein. Implied warranties, including warranties of merchantability or fitness for a particular purpose, are limited to one year on the appliance, five years on the sealed refrigerant system, ten years on the linear compressor, and for as long as used on the storage bins, or the shortest period allowed by law. Seller shall not be liable for incidental or consequential damages. Some states do not allow the exclusion or limitation of incidental or consequential damages, or limitation on the duration of implied warranties of merchantability or fitness, so these exclusions or limitations may not apply to you.

This warranty applies only while this appliance is used in the United States.

This warranty gives you specific legal rights, and you may also have other rights which vary from state to state.

**Sears Brands Management Corporation, Hoffman Estates, IL 60179**

## PRODUCT RECORD

In the space below, record the date of purchase, model and serial number of your product. You will find the model and serial number printed on an identification label located on the interior liner of the refrigerator compartment. Have these items of information available whenever you contact Sears concerning your product.

Model No. \_\_\_\_\_

Date of Purchase \_\_\_\_\_

Serial No. \_\_\_\_\_

Save these instructions and attach your sales receipt for future reference.

# IMPORTANT SAFETY INSTRUCTIONS

## BASIC SAFETY PRECAUTIONS

This guide contains many important safety messages. Always **read and obey** all safety messages.



This is the safety alert symbol. It alerts you to safety messages that inform you of hazards that can kill or hurt you or others, or cause damage to the product.

All safety messages will be preceded by the safety alert symbol and the hazard signal word DANGER, WARNING or CAUTION. These words mean:

**! DANGER**

You will be killed or seriously injured if you do not follow instructions.

**! WARNING**

You can be killed or seriously injured if you do not follow instructions.

**! CAUTION**

Indicates an imminently hazardous situation which, if not avoided, may result in minor or moderate injury, or product damage.

All safety messages will identify the hazard, tell you how to reduce the chance of injury, and tell you what can happen if the instructions are not followed.

## **! WARNING**

**To reduce the risk of fire, electric shock, or personal injury when using your product, basic safety precautions should be followed, including the following.**

**Read all instructions before using this appliance.**

- NEVER unplug your refrigerator by pulling on the power cord. Always grip the plug firmly and pull it straight out from the outlet.
- If the supply cord is damaged, it must be replaced by the manufacturer or its service agent or a similarly qualified person in order to avoid a hazard. Do not use a cord that shows cracks or abrasion damage along its length or at either the plug or connector end.
- Do not modify or extend the power cord length. It could cause electric shock or fire.
- When moving your refrigerator away from the wall, be careful not to roll over or damage the power cord.
- DO NOT store or use gasoline or other flammable vapors and liquids in the vicinity of this or any other appliance.
- If connected to a circuit protected by fuses, use time delay fuse.

- DO NOT allow children to climb, stand, or hang on the refrigerator doors or shelves in the refrigerator. They could damage the refrigerator and seriously injure themselves.
- Keep fingers out of pinch point areas; clearances between the doors and cabinets are necessarily small. Be careful closing doors when children are in the area.
- Unplug your refrigerator before cleaning or making any repairs.
- This appliance is not intended for use by persons (including children) with reduced physical, sensory or mental capabilities, or lack of experience and knowledge, unless they have been given supervision or instruction concerning the use of the appliance by a person responsible for their safety.

**NOTE:** It is strongly recommended that any service be performed by a qualified technician.

## SAVE THESE INSTRUCTIONS

## ! WARNING

- Before replacing a burned-out or broken light bulb, unplug the refrigerator or turn off power at the circuit breaker or fuse box in order to avoid contact with a live wire filament. (A burned-out light bulb may break when being replaced exposing the wire filament.)

**NOTE:** Some models have LED interior lighting and service should be performed by a qualified technician.

**WARNING:** Setting either or both controls to the OFF position does not remove power to the light circuit.

- When you are finished, reconnect the refrigerator to the electrical source and reset the controls (Thermostat, Refrigerator Control, and or Freezer Control, depending on the model) to the desired setting.
- This refrigerator must be properly installed in accordance with the **Attention Installer Instructions** that were taped to the front of the refrigerator.
- After your refrigerator is in operation, do not touch the cold surfaces in the freezer compartment when hands are damp or wet. Skin may adhere to the extremely cold surfaces.

- DO NOT touch the automatic ice making mechanism while the refrigerator is plugged in.
- DO NOT refreeze frozen foods which have thawed completely. The United States Department of Agriculture in Home and Garden Bulletin No. 69 says:

...You may safely refreeze frozen foods that have thawed if they still contain ice crystals or if they are still cold—below 39°F (4°C).

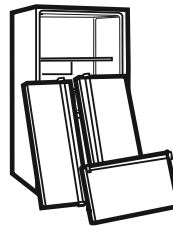
...Thawed ground meats, poultry or fish that have any off-odor or off-color should not be refrozen and should not be eaten. Thawed ice cream should be discarded. If the odor or color of any food is poor or questionable, dispose of it. The food may be dangerous to eat.

Even partial thawing and refreezing reduces the eating quality of foods, particularly fruits, vegetables and prepared foods. The eating quality of red meats is affected less than that of many other foods. Use refrozen foods as soon as possible to save as much of their quality as you can.

## SAVE THESE INSTRUCTIONS

## ! DANGER: RISK OF CHILD ENTRAPMENT

Junked or abandoned refrigerators are dangerous, even if they are sitting for only a few days. If you are getting rid of your old refrigerator, please follow the instructions at right to help prevent accidents (child entrapment and suffocation).



### BEFORE YOU THROW AWAY YOUR OLD REFRIGERATOR OR FREEZER:

- Take off the doors.
- Leave the shelves in place so that children may not easily climb inside.

## CFC/HCFC DISPOSAL

Your old refrigerator may have a cooling system that used CFCs or HCFCs (chlorofluorocarbons or hydrochlorofluorocarbons). CFCs and HCFCs are believed to harm stratospheric ozone if released to the atmosphere. Other refrigerants may also cause harm to the environment if released to the atmosphere.

If you are throwing away your old refrigerator, make sure the refrigerant is removed for proper disposal by a qualified technician. If you intentionally release refrigerant, you may be subject to fines and imprisonment under provisions of environmental legislation.

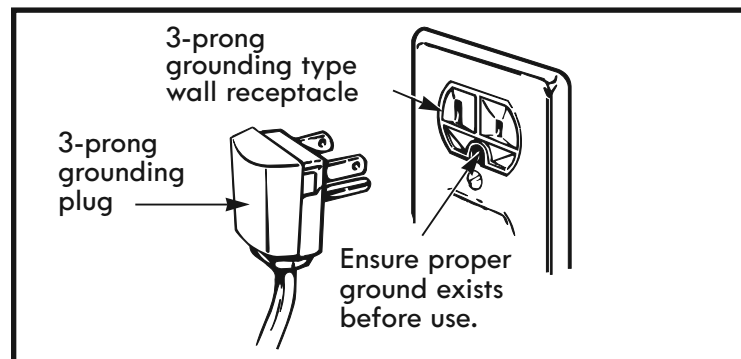
## ELECTRICAL & GROUNDING REQUIREMENTS

**IMPORTANT:** Please read carefully.  
**TO CONNECT ELECTRICITY**

### **⚠ WARNING**

#### **Electrical Shock Hazard**

**FOR PERSONAL SAFETY**, this appliance must be properly grounded. Have the wall outlet and the circuit checked by a qualified electrician to make sure the outlet is properly grounded.



### **RECOMMENDED GROUNDING METHOD**

The refrigerator should always be plugged into its own individual properly grounded electrical outlet rated for 115 Volts, 60 Hz, AC only, and fused at 15 or 20 amperes. This provides the best performance and also prevents overloading house wiring circuits which could cause a fire hazard from overheated wires. It is recommended that a separate circuit serving only this appliance be provided.

Use a receptacle that cannot be turned off with a switch or pull chain. Do not use an extension cord.

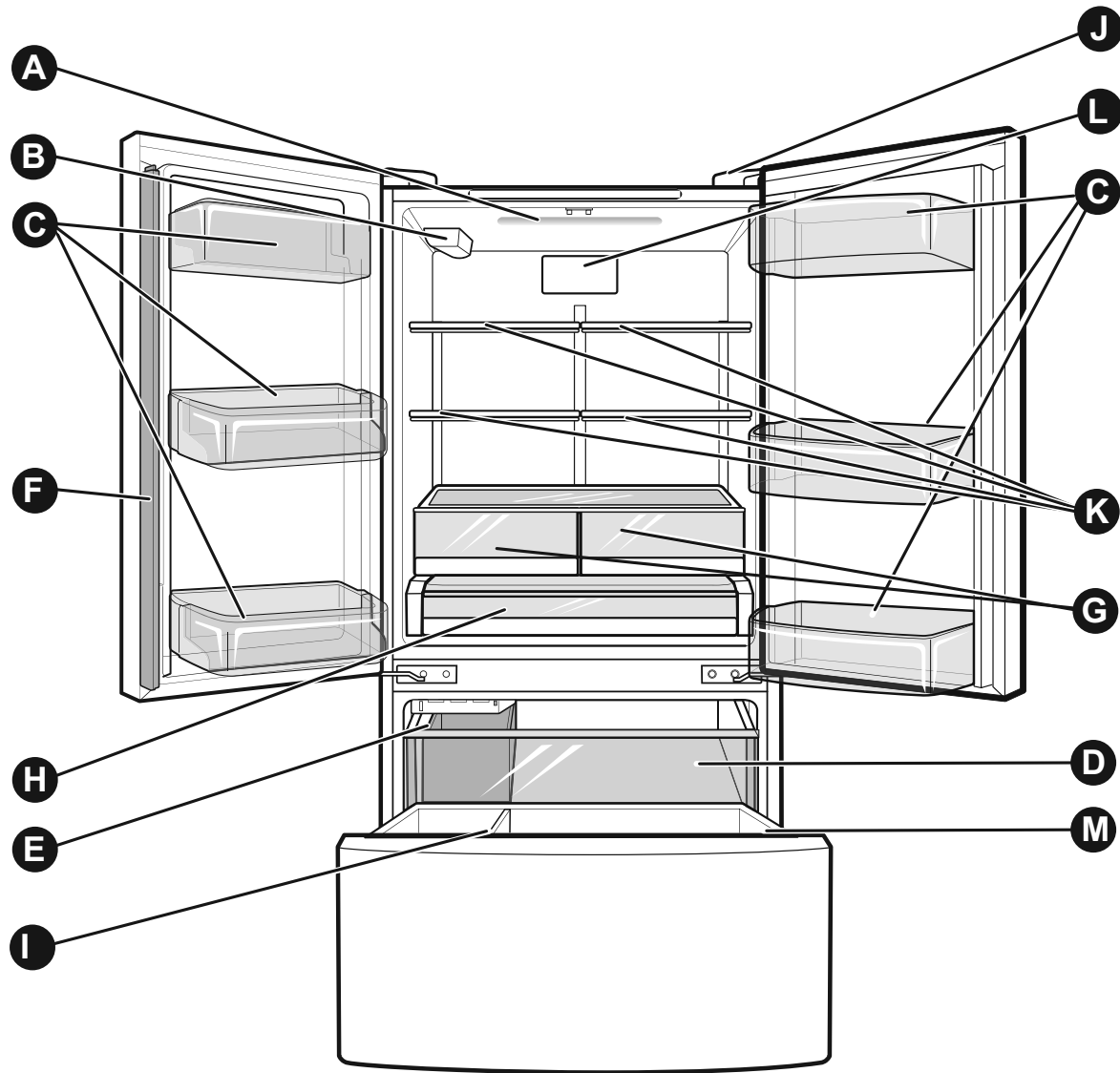
Where a standard two-prong wall outlet is encountered, it is your personal responsibility and obligation to have it replaced with a properly grounded three-prong wall outlet.

### **USE OF EXTENSION CORDS**

**Because of potential safety hazards under certain conditions, the use of an extension cord is not recommended.** However, if you still elect to use an extension cord, it is absolutely necessary that it be a UL-listed (USA), 3-wire grounding type appliance extension cord having a grounding type plug and outlet, and that the electrical rating of the cord be 15 amperes (minimum) and 120 volts.

Use of an extension cord will increase the clearance needed for the back of the refrigerator.

## PARTS AND FEATURES



Use this page to become more familiar with the parts and features of your refrigerator.

**NOTE:** This guide covers several different models. The refrigerator you have purchased may have some or all of the items listed below. The locations of the features shown below may not match your model.

- |  |  |
|--|--|
| <ul style="list-style-type: none"> <li>Ⓐ Refrigerator Light</li> <li>Ⓑ Water Filter</li> <li>Ⓒ Door Bins</li> <li>Ⓓ Pullout Drawer</li> <li>Ⓔ Icemaker / Ice Bin</li> <li>Ⓕ Articulating Mullion</li> <li>Ⓖ Crisper</li> </ul> | <ul style="list-style-type: none"> <li>Ⓗ Pantry Drawer</li> <li>Ⓘ Durabase Divider</li> <li>⓵ Diagnostics Speaker</li> <li>Ⓚ Refrigerator Shelves</li> <li>Ⓛ Air Filter</li> <li>Ⓜ Durabase</li> </ul> |
|--|--|

## REFRIGERATOR INSTALLATION

### **WARNING**

#### **Excessive Weight Hazard:**

Use two or more people to move and install the refrigerator. Failure to do so can result in back or other injury.

### **UNPACKING YOUR REFRIGERATOR**

Remove tape and any temporary labels from your refrigerator before using. Do not remove any warning-type labels, the model and serial number label, or the Tech Sheet that is located under the front of the refrigerator.

To remove any remaining tape or glue, rub the area briskly with your thumb. Tape or glue residue can also be easily removed by rubbing a small amount of liquid dish soap over the adhesive with your fingers. Rinse with warm water and dry.

Do not use sharp instruments, rubbing alcohol, flammable fluids, or abrasive cleaners to remove tape or glue. These products can damage the surface of your refrigerator.

Refrigerator shelves are installed in the shipping position. Please reinstall shelves according to your individual storage needs.

### **WARNING**

#### **Excessive Weight Hazard:**

Your refrigerator is heavy. When moving the refrigerator for cleaning or service, be sure to protect the floor. Always pull the refrigerator straight out when moving it. Do not wiggle or walk the refrigerator when trying to move it, as floor damage could occur.

### **WARNING**

#### **Explosion Hazard:**

Keep flammable materials and vapors, such as gasoline, away from the refrigerator. Failure to do so can result in fire, explosion, or death.

### INSTALLATION

The refrigerator should always be plugged into its own individual properly grounded electrical outlet rated for 115 Volts, 60 Hz, AC only, and fused at 15 or 20 amperes. This provides the best performance and also prevents overloading house wiring circuits which could cause a fire hazard from overheated wires. It is recommended that a separate circuit serving only this appliance be provided.

This appliance is intended to be used in household and similar applications such as staff kitchen areas in shops, offices and other working environments; farm houses and by clients in hotels, motels and other residential type environments; bed and breakfast type environments; catering and similar non-retail applications.

### **⚠ WARNING**

#### **Shock Hazard:**

To reduce the risk of electric shock, do not install the refrigerator in a wet or damp area.

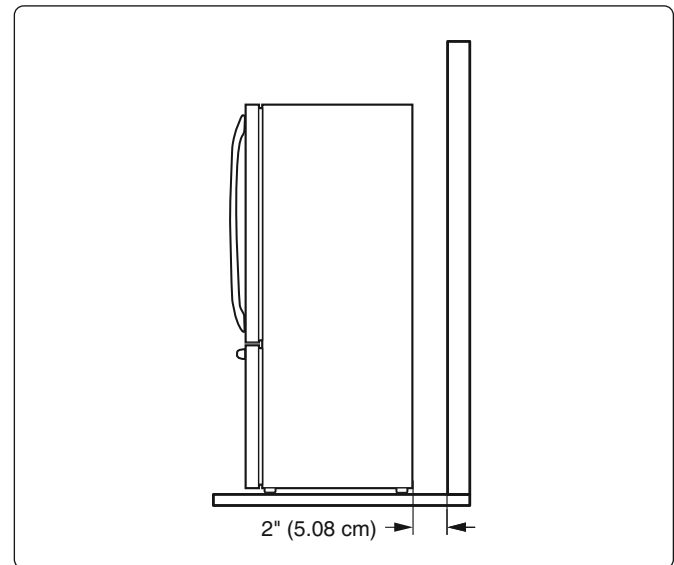
1. To avoid noise and vibration, the unit must be leveled and installed on a solidly constructed floor. If required, adjust the leveling legs to compensate for unevenness of the floor. The front should be slightly higher than the rear to aid in door closing. Leveling legs can be turned easily by tipping the cabinet slightly. Turn the leveling legs to the left to raise the unit or to the right to lower it. (See LEVELING AND DOOR ALIGNMENT.)

NOTE: Installing on carpeting, soft tile surfaces, a platform or weakly supported structure is not recommended.

2. Install this appliance in an area where the temperature is between 55°F (13°C) and 110°F (43°C). If the temperature around the appliance is too low or high, cooling ability may be adversely affected.
3. Select a place where a water supply can be easily connected for the automatic icemaker.

NOTE: The water pressure must be from 20-120 psi or 138-827 kPa or 1.4-8.4 kgf/cm<sup>2</sup>. If the refrigerator is installed in an area with low water pressure (below 20 psi), you can install a booster pump to compensate for the low pressure.

4. Too small of a distance from adjacent items may result in lowered freezing capability and increased electricity consumption charges. Allow at least 24 inches (61 cm) in front of the refrigerator to open the doors and at least 2 inches (5.08 cm) between the back of the refrigerator and the wall.



### PRIOR TO USE

1. Clean your refrigerator thoroughly and wipe off all dust that accumulated during shipping.
2. Install accessories such as ice cube bin, drawers, shelves, etc., in their proper places. They are packed together to prevent possible damage during shipment.
3. Allow your refrigerator to run for at least two to three hours before putting food in it. Check the flow of cold air in the freezer compartment to ensure proper cooling. Your refrigerator is now ready for use.

**NOTE:** Removing the doors is always recommended when it is necessary to move the refrigerator through a narrow opening. If it is necessary to remove the handles, follow the directions below.

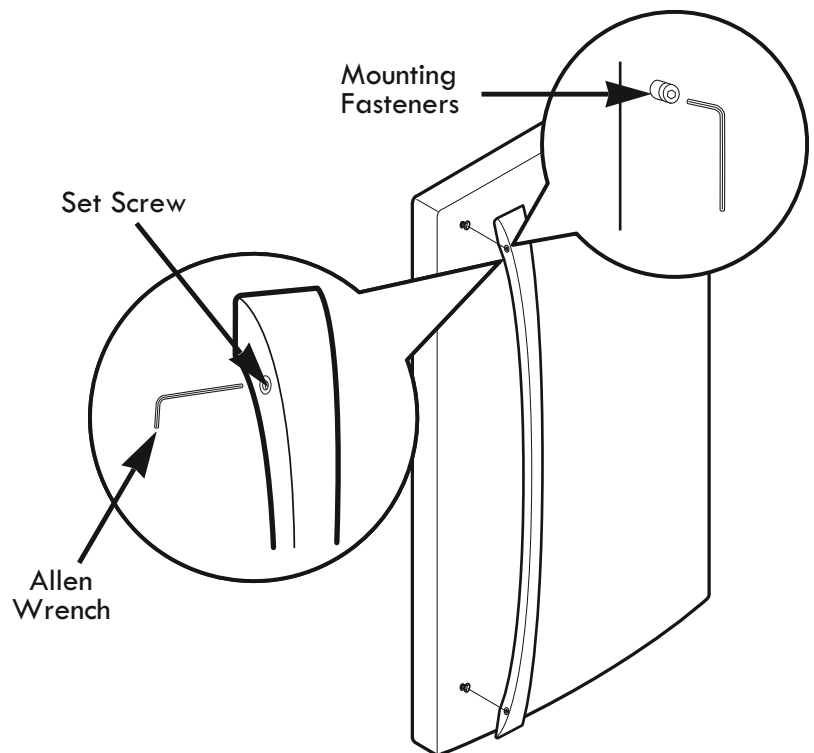
## REMOVING AND REPLACING HANDLES

**NOTE:** Handle appearance may vary from the illustrations on this page.

### Removing Refrigerator Handle

Loosen the set screws with a  $\frac{3}{32}$  in. Allen wrench and remove the handle.

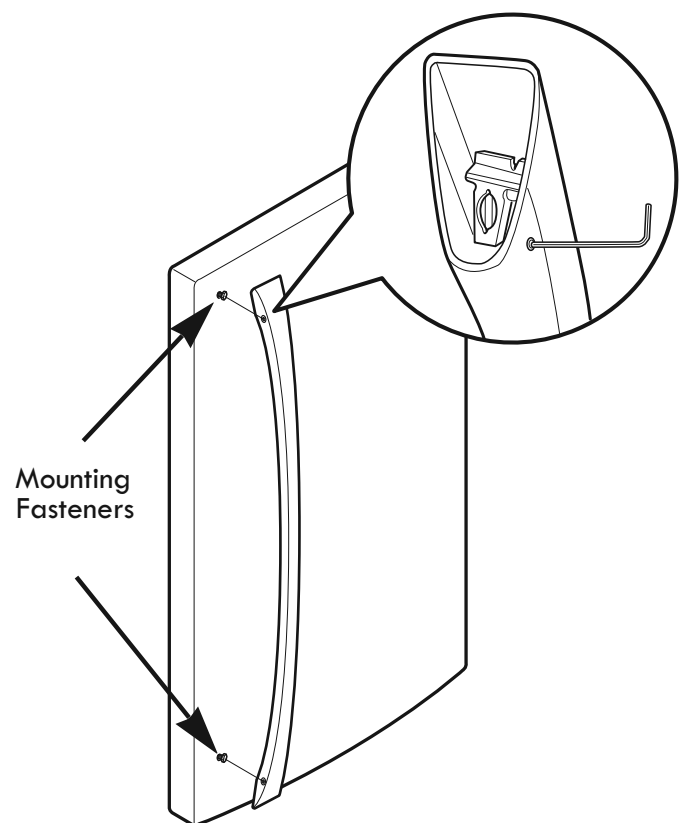
**NOTE:** If the handle mounting fasteners need to be tightened or removed, use a  $\frac{1}{4}$  in. Allen wrench.



### Replacing Refrigerator Handle

Place the handle on the door by fitting the handle footprints over the mounting fasteners and tightening the set screws with a  $\frac{3}{32}$  in Allen wrench.

**NOTE:** If the handle mounting fasteners need to be tightened or removed, use a  $\frac{1}{4}$  in. Allen wrench.



## REFRIGERATOR INSTALLATION

**NOTE:** Removing the doors is always recommended when it is necessary to move the refrigerator through a narrow opening. If it is necessary to remove the handles, follow the directions below.

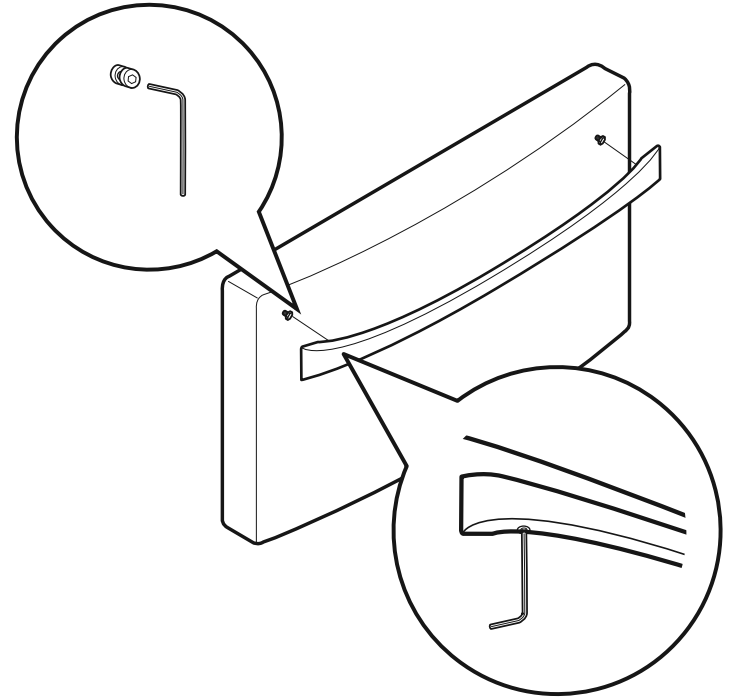
### REMOVING AND REPLACING HANDLES (CONTINUED)

**NOTE:** Handle appearance may vary from the illustrations on this page.

#### Removing Freezer Drawer Handle

Loosen the set screws located on the lower side of the handle with a  $\frac{1}{8}$  in. Allen wrench and remove the handle.

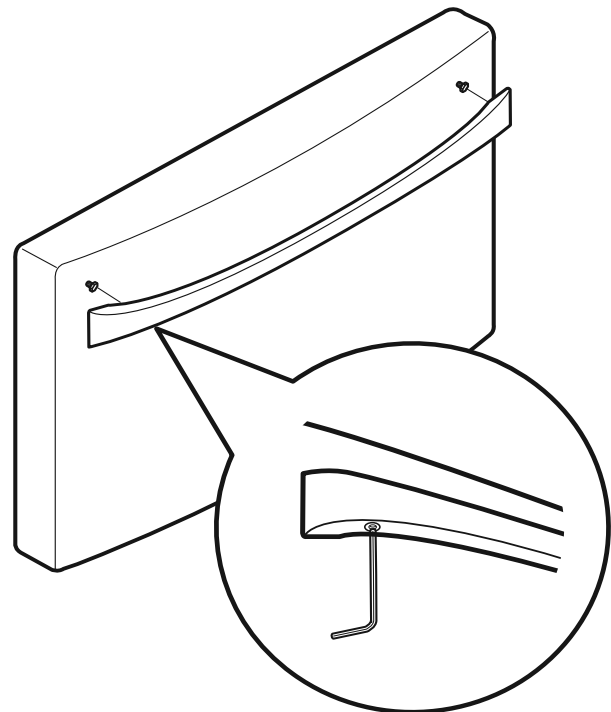
**NOTE:** If the handle mounting fasteners need to be tightened or removed, use a  $\frac{1}{4}$  in. Allen wrench.



#### Replacing Freezer Drawer Handle

Place the handle on the door by fitting the handle footprints over the mounting fasteners and tightening the set screws with a  $\frac{1}{8}$  in. Allen wrench.

**NOTE:** If the handle mounting fasteners need to be tightened or removed, use a  $\frac{1}{4}$  in. Allen wrench.



### **⚠ WARNING**

When assembling or disassembling the handles:

- Grasp the handle firmly to ensure it will not drop or cause injury.
- Prevent the handle from swinging toward nearby people or animals.
- Insert the bracket hole of the handle into the stopper bolt of the door exactly, then assemble the set screws to fix the handle in place.
- Check for any gap between the door and handle after the handle is fixed in place.

## REMOVING AND REPLACING REFRIGERATOR DOORS

### ! WARNING

#### Excessive Weight Hazard:

Use two or more people to remove and install the refrigerator doors. Failure to do so can result in back or other injury.

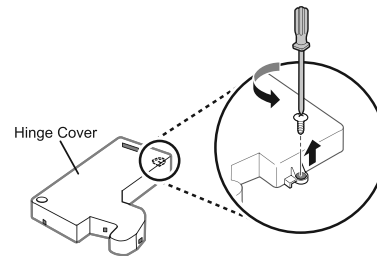
### ! WARNING

#### Electrical Shock Hazard

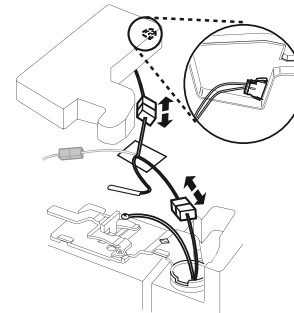
- Disconnect the electrical supply to the refrigerator before installing. Failure to do so could result in serious injury or death.
- Do not put hands, feet or other objects into the air vents or bottom of the refrigerator. You may be injured or receive an electrical shock.

### Removing the Left Door

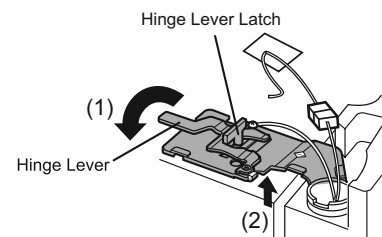
- 1 Open the door. Remove the top hinge cover screw and the hinge cover.



- 2 Disconnect all the wire harnesses.



- 3 Rotate the hinge lever counterclockwise (1). Lift the top hinge (2) free of the hinge lever latch.

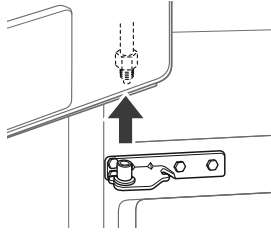


### ! CAUTION

- When lifting the hinge free of the latch, be careful that the door does not fall forward.

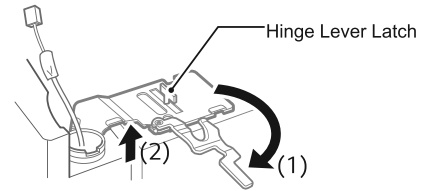
## REFRIGERATOR INSTALLATION

- 4 Lift the door from the middle hinge pin and remove the door.



**NOTE:** Place the door, inside facing up, on a nonscratching surface.

- 3 Rotate the hinge lever (1) clockwise. Lift the top hinge (2) free of the hinge lever latch.

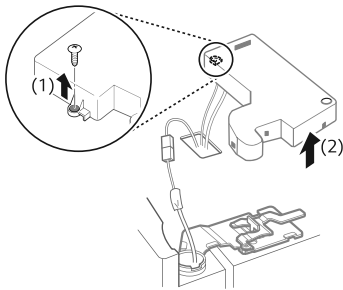


### **CAUTION**

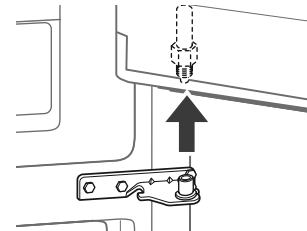
- When lifting the hinge free of the latch, be careful that the door does not fall forward.

### Removing the Right Door

- 1 Remove the top hinge cover screw (1). Lift the hook (not visible), located at the bottom of the front side of the cover (2), with a flat-head screwdriver.

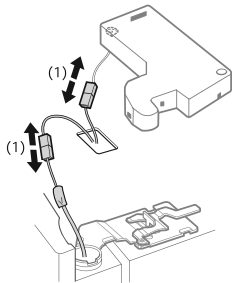


- 4 Lift the door from the middle hinge pin and remove the door.



**NOTE:** Place the door, inside facing up, on a nonscratching surface.

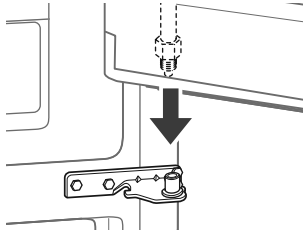
- 2 Detach the wire harness (1).



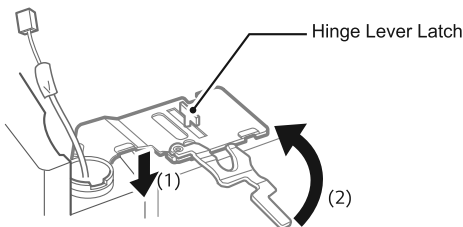
### Replacing the Right Door

Install the right-side door first.

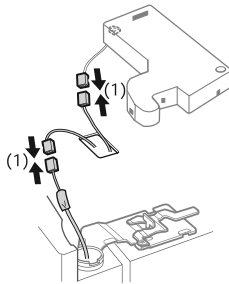
- 1 Make sure that the plastic sleeve is inserted in the bottom of the door. Lower the door onto the middle hinge pin as shown in the figure.



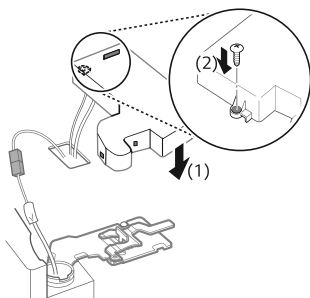
- 2 Fit the hinge (1) over the hinge lever latch and slot it into place. Rotate the lever (2) counterclockwise to secure the hinge.



- 3 Connect the wire harness (1).



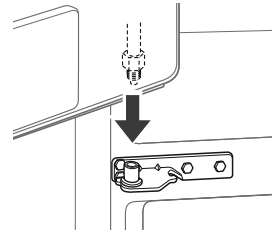
- 4 Place the cover (1) in its place. Insert and tighten the cover screw (2).



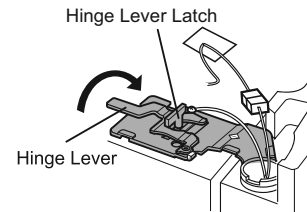
### Replacing the Left Door

Install the left refrigerator door after the right door is installed.

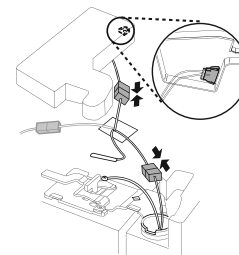
- 1 Make sure that the plastic sleeve is inserted in the bottom of the door. Install the refrigerator door onto the middle hinge.



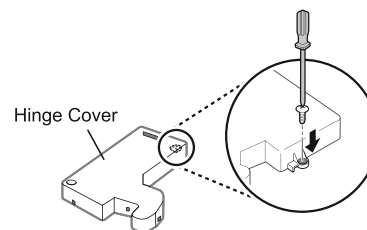
- 2 Rotate the hinge lever clockwise. Lift the top hinge free of the hinge lever latch.



- 3 Connect all the wire harnesses.



- 4 Place the cover in place. Insert and tighten the cover screw.



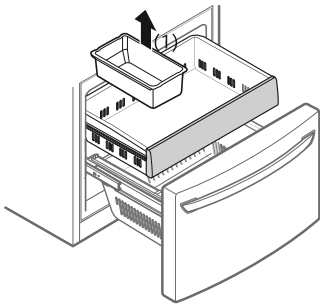
### REMOVING FREEZER DRAWERS

**⚠ WARNING:** Use two or more people to remove and install the freezer drawer. Failure to do so can result in back or other injury.

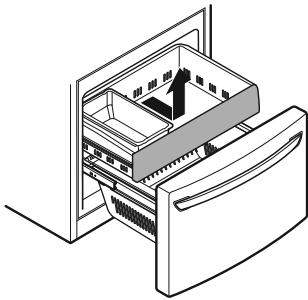
**NOTE:** In the following images, the Pullout Drawer located above the freezer drawer is not shown for clarity.

#### Removing The Freezer Drawer

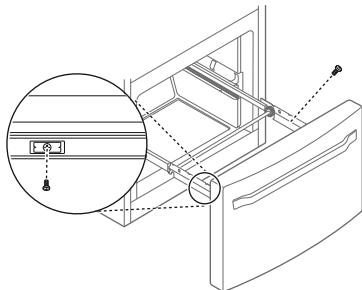
Pull the drawer open to full extension.  
Gently lift and pull out the ice bin.



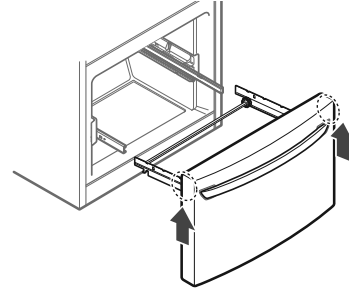
Lift the front of the drawer up, then pull it straight out.



Remove the Durabase basket from the rails.  
Remove the screws from the rails at both ends.



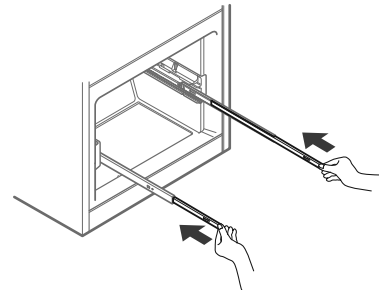
Grip both sides of the drawer and pull it up to remove it from the rails.



#### ⚠ CAUTION:

When you remove the freezer drawer, do not hold the handle. The handle may come off and it could cause personal injury.

Hold both rails and push them in simultaneously.



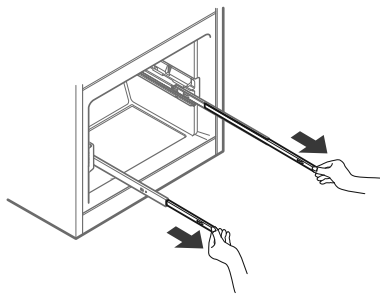
## REPLACING FREEZER DRAWERS

**⚠ WARNING:** Use two or more people to remove and install the freezer drawer. Failure to do so can result in back or other injury.

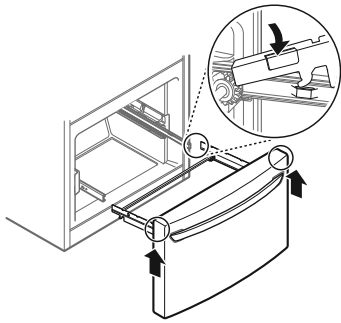
**NOTE:** In the following images, the Pullout Drawer located above the freezer drawer is not shown for clarity.

### Replacing The Freezer Drawer

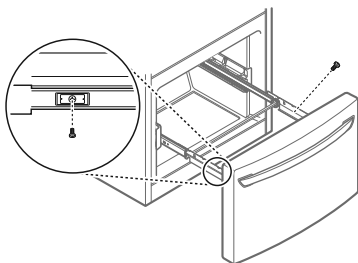
Pull out both rails simultaneously, until they are fully extended.



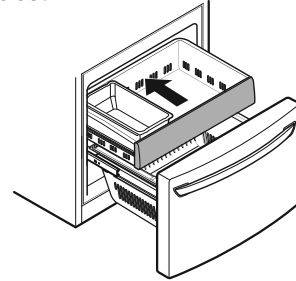
Grasp the drawer on each side and hook the drawer supports into the rail tabs located on both sides.



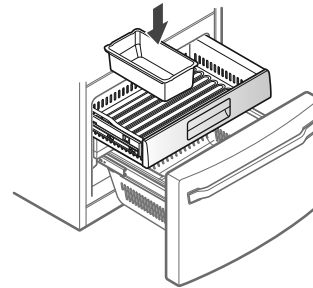
Lower the door into its final position and tighten the screws located on both sides.



Insert the drawer and push it back until it clicks into place.



Replace the ice bin in the drawer. Insert the Durabase basket in the rail assembly.



### ⚠ WARNING

- If the Durabase divider is removed, there is enough open space for children or pets to crawl inside. To prevent accidental child and pet entrapment or suffocation risk, DO NOT allow them to touch or go near the freezer drawer.
- DO NOT step or sit down on the freezer drawer.

## LEVELING AND DOOR ALIGNMENT

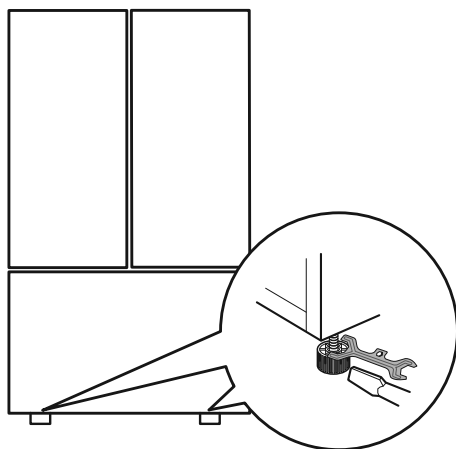
### Leveling

After installing, plug the refrigerator's power cord into a 3-prong grounded outlet and push the refrigerator into the final position.

Your refrigerator has two front leveling legs—one on the right and one on the left. Adjust the legs to alter the tilt from front-to-back or side-to-side. If your refrigerator seems unsteady, or you want the doors to close more easily, adjust the refrigerator's tilt using the instructions below:

**NOTE:** Tools Required:  $1\frac{1}{16}$ " wrench or flat blade screwdriver.

1. Turn the leveling leg to the left to raise that side of the refrigerator or to the right to lower it. It may take several turns of the leveling leg to adjust the tilt of the refrigerator.



**NOTE:** Having someone push backward against the top of the refrigerator takes some weight off of the leveling legs. This makes it easier to adjust the legs.

2. Open both doors again and check to make sure that they close easily. If the doors do not close easily, tilt the refrigerator slightly more to the rear by turning both leveling legs to the left. It may take several more turns, and you should turn both leveling legs the same amount.

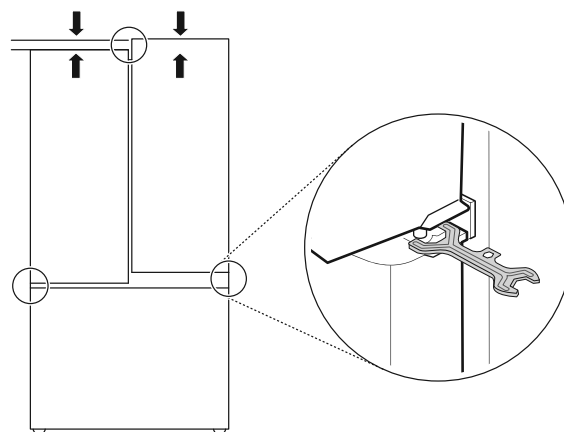
**NOTE:** Your refrigerator is uniquely designed with two fresh food doors. Either door can be opened or closed independently of the other. You may have to exert slight pressure on the doors to get them to close completely.

### Door Alignment

Both the left and right refrigerator doors have an adjustable nut, located on the bottom hinge, to raise and lower them to align properly.

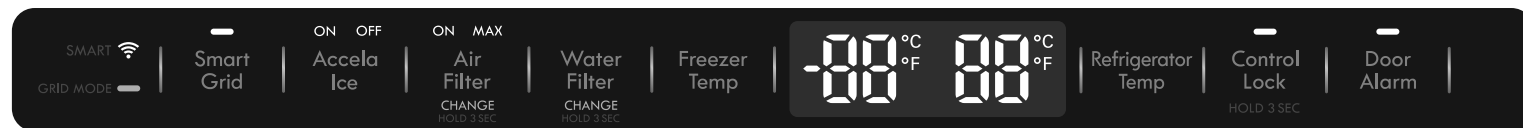
If the space between the doors is uneven, follow the instructions below to align the doors evenly:

Use the wrench (included with the owner's manual) to turn the nut in the door hinge to adjust the height. Turn the nut to the right to raise the door or to the left to lower it.



# USING YOUR REFRIGERATOR

## SETTING THE CONTROLS



### Temperature

- The Refrigerator Control is preset at 37°F (3°C) and the freezer control is preset at 0°F (-18°C). These are the recommended temperature settings for normal use and conditions. Wait 24 hours for the refrigerator and freezer to reach these temperatures.
- The Refrigerator Temp Control range is from 33°F to 46°F (1°C to 8°C). The lower the setting, the colder the refrigerator compartment will become.
- The Freezer Temp Control range is from -6°F to 8°F (-21°C to -13°C). The lower the setting, the colder the freezer compartment will become.

**NOTE:** When changing control settings, wait 24 hours before making additional adjustments. The controls are set correctly when milk or juice is as cold as you would like and when ice cream is firm. If the temperature in either compartment is too cold or too warm, change the setting one increment at a time. Wait 24 hours for the change to stabilize before adjusting again.

### Accela Ice



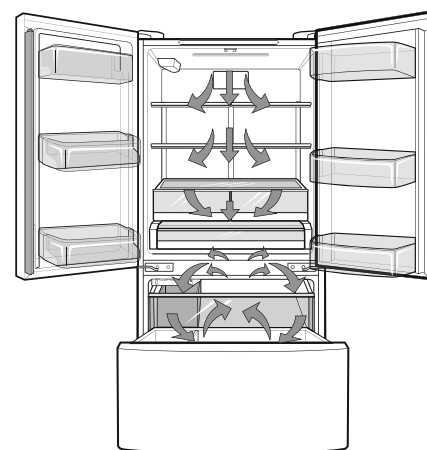
- When you press the Accela Ice button, the LED will light up and will remain on for 24 hours.

The function will automatically shut off after 24 hours.

- You can stop this function manually by pressing the button one more time.
- This function increases both ice making and freezing capabilities.


### Airflow

Be sure not to block vents while loading food into the refrigerator. Doing so will restrict airflow and may cause the refrigerator temperature to become too warm or cause interior moisture buildup. (See airflow diagram below.)



### Water Filter Reset



When the "Change" text lights up, change the water filter. After changing the water filter, press and hold  button for three seconds to turn the indicator light off. You need to change the water filter approximately every six months.

## USING YOUR REFRIGERATOR

### Air Filter



The Air Filter helps remove odors from the refrigerator. The Air Filter has two settings, Auto and MAX. In Auto mode, the Air Filter will cycle on and off in increments of ten minutes on and 110 minutes off. If set to the MAX mode, the Air Filter will stay on continuously for four hours, cycling on and off in increments of ten minutes on and five minutes off. After four hours, the Air Filter will switch to Auto mode.

- Auto mode is the default mode. (Max LED off)
- Press the Air Filter button once for Max mode. (Max LED on)

### Air Filter Reset



When the “CHANGE” icon turns on, the air filter needs to be replaced. After replacing the air filter, press and hold the Air Filter button for three seconds to turn the icon light off. Change the air filter approximately every 6 months.

### Control Lock



- When power is initially connected to the refrigerator, the Lock function is off.
- To lock the controls, press and hold the Control Lock button for three seconds until the LED illuminates and the function is enabled.
- When the Lock function is activated, no other buttons will work.
- To disable the Lock function, press and hold the Control Lock button for approximately three seconds.

### Door Alarm



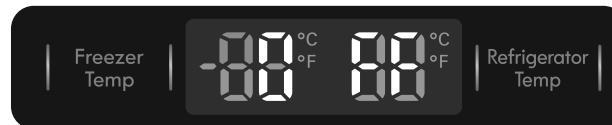
- When power is connected to the refrigerator, the door alarm is initially set to ON. To deactivate the Door Alarm function, press the Door Alarm button. (The LED turns off.)

When either the refrigerator or the freezer door is left open for more than 60 seconds, the alarm tone will sound to let you know that the door is open.

Close the doors to stop the alarm.

### Demo Mode (For Store Use Only)

The Demo Mode disables all cooling in the refrigerator and freezer sections to conserve energy while on display in a retail store. When activated, OFF will display on the control panel.



### To Deactivate Demo Mode:

With either refrigerator door opened, press and hold the Refrigerator Temp and Accela Ice buttons at the same time for five seconds. The control panel will beep and the temperature settings will display to confirm that Demo Mode is deactivated. Use the same procedure to activate the Demo Mode.

### Temperature Mode Switch Function (°F <-> °C)

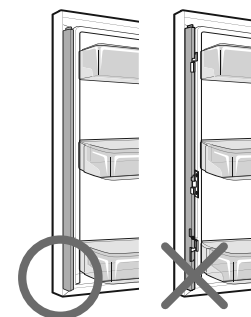
To convert °F to °C or vice versa, press and hold the Freezer Temp and Refrigerator Temp buttons at the same time for approximately five seconds.

### Articulating Mullion

This feature is a metal strip attached to the left door that articulates (rotates) 90 degrees as the door is closed, forming a mullion (base) for the left and right door gaskets to seal against.

### ⚠ CAUTION

To reduce the risk of scratching the door or breaking the door mullion, make sure that the refrigerator door mullion is always folded in.



## SMART FEATURES

### OVERVIEW

Kenmore Smart connectivity transforms your relationship with your home. You can personalize the way Kenmore Smart products operate based on your schedule and daily routines, making life easier and providing greater peace of mind.

This appliance is a connected-ready appliance, allowing you to remotely monitor and control it from your smart phone via the Kenmore Smart™ app.

To get started, you will need the following:

- Kenmore Smart™ Appliance
- Wi-Fi home router connected to the internet
- Smart phone
- Kenmore Smart™ app

For more information about your Kenmore Smart™ appliance, please visit [www.Kenmore.com/smart](http://www.Kenmore.com/smart).

The Smart Grid function controls energy usage, which helps you save energy during peak usage periods. You can override the SMART GRID function at any time (using the Smart Grid button or application).

Smart Grid responds to notification events from your utility company to run high energy-consuming tasks only during off-peak times when electrical demand is lower. These notification events are known as Demand Response (DR) signals. If the refrigerator receives a DR signal from the utility company, the refrigerator will turn on the GRID MODE LED on the refrigerator control panel and regulate power consumption according to the signal received. The refrigerator will respond to the signals received from the utility company as long as the appliance is connected to the internet and Smart Grid is enabled.

### DEFINITIONS

SMART LED (white):



Notifies the user that the appliance is connected to the internet.

Smart Grid LED (white):



Notifies the user that the appliance is capable of receiving a signal, known as a Demand Response event, from a utility company's energy management system.

GRID MODE LED (red):



Notifies the user that the appliance is reducing or delaying energy use based on the signal received from a utility company energy management system. The LED will remain illuminated during critical peak pricing (CPP) and real time pricing (RTP) or during a high demand for electricity.

### GETTING CONNECTED

You need the following devices and application to use the Smart Grid and other smart features on your refrigerator.

Required Devices: A wireless router, Kenmore Smart Refrigerator, and a mobile device.

Required Application: Kenmore Smart App.

### CONNECTING THE REFRIGERATOR

Refer to the Quick Start Guide that came with your smart appliance for detailed instructions on creating a Kenmore account and setting up the appliance for connected operation from your mobile device. For additional assistance, visit <http://www.kenmore.com/smart>

**NOTE:** When successfully connected to the internet, the SMART icon LED on the unit control panel will turn ON.

### INSTRUCTIONS FOR SMART GRID

#### IMPORTANT:

You must connect your Kenmore Smart appliance to the internet and then register the appliance to your account in order to use the Smart Grid function.

Consult the Quick Start Guide supplied with the appliance for instructions on how to register your appliance using the Kenmore Smart™ application (app).

The Smart Grid Button serves two purposes:

1) internet connection or disconnection, 2) enable or disable/override the appliance Demand Response capability.

**NOTE:** This appliance is a connected-ready appliance, allowing you to remotely monitor and control it from your smart phone via the Kenmore Smart™ app.

To connect the refrigerator to the Internet:

Refer to the Quick Start Guide that came with your smart appliance for detailed instructions on creating a Kenmore account and setting up your appliance for connected operation from your smart phone. This Use & Care Guide contains information and instructions for operating your appliance from the appliance control panel. For additional assistance, visit <http://www.kenmore.com/smart>

**NOTE:** If no connection is made after five minutes the blinking SMART GRID button LED will turn off.

Smart Grid Operation:

Once connected and registered, the appliance is capable of accepting a signal from your electrical company. The signal, known as a Demand Response (DR) signal, will adjust refrigerator operation to reduce power consumption for a period of time ranging from a few minutes up to a maximum of 4 hours. Ice making will be delayed during this time. Opening the refrigerator door may cancel certain DR signals.

The Grid Mode LED (red) will be steadily lit when the signal is in effect. To disable the signal and prevent further signal acceptance, press and release the Smart Grid button. Both the Grid Mode and Smart Grid LED will turn off. Press and release the Smart Grid button again to enable DR signal acceptance capability. The Smart Grid button LED will relight. The Grid Mode LED will light when another DR signal is sent.

**FCC Notice**

(For transmitter module contained in this product)

This equipment has been tested and found to comply with the limits for a Class B digital device, pursuant to Part 15 of the FCC Rules. These limits are designed to provide reasonable protection against harmful interference in a residential installation. This equipment generates, uses, and can radiate radio frequency energy and, if not installed and used in accordance with the instructions, may cause harmful interference to radio communications. However, there is no guarantee that interference will not occur in a particular installation. If this equipment does cause harmful interference to radio or television reception, which can be determined by turning the equipment off and on, the user is encouraged to try to correct the interference by one or more of the following measures:

- Reorient or relocate the receiving antenna.
- Increase the separation between the equipment and the receiver.
- Connect the equipment to an outlet on a circuit different from that to which the receiver is connected.
- Consult the dealer or an experienced radio/TV technician for help.

This device complies with part 15 of the FCC Rules.

Operation is subject to the following two conditions:

- 1) this device may not cause harmful interference and
- 2) this device must accept any interference received, including interference that may cause undesired operation of the device.

Any changes or modifications in construction of this device which are not expressly approved by the party responsible for compliance could void the user's authority to operate the equipment.

**Open Source Software Notice**

To obtain the source code that is contained in this product under LGPL and other open source licenses, visit <http://kenmore.com/opensource>. In addition to the source code, all referred license terms, warranty disclaimers, and copyright notices are available for download.

**FCC RF Radiation Exposure Statement**

This equipment complies with FCC radiation exposure limits set forth for an uncontrolled environment. This transmitter must not be co-located or operating in conjunction with any other antenna or transmitter.

This equipment should be installed and operated with a minimum distance of 20 cm (7.8 inches) between the antenna and your body. Users must follow the specific operating instructions for satisfying RF exposure compliance.

<b>Wireless LAN Module Specifications</b>	
<b>Model</b>	2AHU4-KMTD17
<b>Frequency Range</b>	2412 to 2462 MHz
<b>Output Power (Max)</b>	IEEE 802.11 b : 18.26 dBm IEEE 802.11 g : 20.10 dBm IEEE 802.11 n : 20.07 dBm

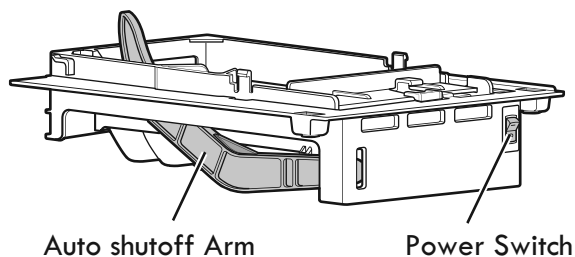
### **⚠ WARNING**

#### **Personal Injury Hazard**

DO NOT place fingers or hands on the automatic ice making mechanism while the refrigerator is plugged in.

#### **Operation Instructions**

A newly-installed refrigerator may take 12 to 24 hours to begin making ice.



**NOTE:** The water pressure must be between 20 and 120 psi (138 and 827 kPa) on models without a water filter and between 40 and 120 psi (276 and 827 kPa) on models with a water filter.

The icemaker will produce 12 cubes per cycle—approximately 100 cubes in a 24 hour period, depending on freezer compartment temperature, room temperature, number of door openings and other operating conditions.

If the refrigerator is used before the water connection is made to the icemaker, set the power switch to **Off (O)**.

When the refrigerator has been connected to the water supply, set the power switch to **On (I)**.

The icemaker will fill with water when it cools to freezing. A newly-installed refrigerator may take 12 to 24 hours to begin making ice cubes.

Discard the first few batches of ice to allow the water line to clear.

Be sure nothing interferes with the sweep of the automatic shutoff arm.

When the bin fills to the level of the automatic shutoff arm, the icemaker will stop producing ice.

It is normal for several cubes to be stuck together.

If ice is not used frequently, old ice cubes will become cloudy, taste stale, and shrink.

#### **When you should set the icemaker power switch to off (O)**

- When the water supply will be shut off for several hours.
- When the ice storage bin is removed for more than a minute or two.
- When the refrigerator will not be used for several days.

#### **Turning the Automatic Icemaker On or Off**

To turn off the automatic icemaker, set the icemaker switch to **OFF (O)**. To turn on the automatic icemaker, set the switch to **ON (I)**.

#### **Normal Sounds You May Hear**

- Keeping the power turned on to the icemaker before the water line is connected can damage the icemaker.
- The icemaker water valve will buzz as the icemaker fills with water. If the power switch is in the **ON (I)** position, it will buzz even if it has not yet been hooked up to water. To stop the buzzing, move the power switch to **OFF (O)**.
- You will hear the sound of cubes dropping into the bin and water running in the pipes as the icemaker refills.

#### **Preparing for Vacation**

Set the icemaker power switch to **OFF (O)** and shut off the water supply to the refrigerator.

#### **NOTE**

- The ice bin should be emptied any time the icemaker on/off switch is turned to the **OFF (O)** position.

If the ambient temperature will drop below freezing, have a qualified technician drain the water supply system to prevent serious property damage due to flooding caused by ruptured water lines or connections.

**FOOD STORAGE GUIDE**

Wrap or store food in the refrigerator in airtight and moisture-proof material unless otherwise noted. This prevents food odor and taste transfer throughout the refrigerator. For dated products, check date code to ensure freshness.

Items	How to
<b>Butter or margarine</b>	▶ Keep opened butter in a covered dish or closed compartment. When storing an extra supply, wrap in freezer packaging and freeze.
<b>Cheese</b>	▶ Store in the original wrapping until you are ready to use it. Once opened, rewrap tightly in plastic wrap or aluminum foil.
<b>Milk</b>	▶ Wipe milk cartons. For best storage, place milk on interior shelf, not on door shelf.
<b>Eggs</b>	▶ Store in original carton on interior shelf, not on door shelf.
<b>Fruit</b>	▶ Do not wash or hull the fruit until it is ready to be used. Sort and keep fruit in its original container, in a crisper, or store in a completely closed paper bag on a refrigerator shelf.
<b>Leafy vegetables</b>	▶ Remove store wrapping and trim or tear off bruised and discolored areas. Wash in cold water and drain. Place in plastic bag or plastic container and store in crisper.
<b>Vegetables with skins (carrots, peppers)</b>	▶ Place in plastic bags or plastic container and store in crisper.
<b>Fish</b>	▶ Store fresh fish and shellfish in the freezer section if they are not being consumed the same day of purchase. It is recommended to consume fresh fish and shellfish the same day purchased.
<b>Leftovers</b>	▶ Cover leftovers with plastic wrap or aluminum foil, or store in plastic containers with tight lids.

**STORING FROZEN FOOD**

**NOTE:** Check a freezer guide or a reliable cookbook for further information about preparing food for freezing or food storage times.

**Freezing**

Your freezer will not quick-freeze a large quantity of food. Do not put more unfrozen food into the freezer than will freeze within 24 hours (no more than 2 to 3 lbs. of food per cubic foot of freezer space). Leave enough space in the freezer for air to circulate around packages. Be careful to leave enough room at the front so the door can close tightly.

Storage times will vary according to the quality and type of food, the type of packaging or wrap used (how airtight and moisture-proof) and the storage temperature. Ice crystals inside a sealed package are normal. This simply means that moisture in the food and air inside the package have condensed, creating ice crystals.

**NOTE:** Allow hot foods to cool at room temperature for 30 minutes, then package and freeze. Cooling hot foods before freezing saves energy.

**Packaging**

Successful freezing depends on correct packaging. When you close and seal the package, it must not allow air or moisture in or out. If it does, you could have food odor and taste transfer throughout the refrigerator and could also dry out frozen food.

**Packaging recommendations:**

- Rigid plastic containers with tight-fitting lids
- Straight-sided canning/freezing jars
- Heavy-duty aluminum foil
- Plastic-coated paper
- Non-permeable plastic wraps
- Specified freezer-grade self-sealing plastic bags

Follow package or container instructions for proper freezing methods.

**Do not use**

- Bread wrappers
- Non-polyethylene plastic containers
- Containers without tight lids
- Wax paper or wax-coated freezer wrap
- Thin, semi-permeable wrap

**⚠ CAUTION:** Do not keep beverage cans or plastic food containers in the freezer compartment. They may break or burst if they freeze.

### REFRIGERATOR SHELVES

The shelves in your refrigerator are adjustable to meet your individual storage needs. Your model may have glass or wire shelves.

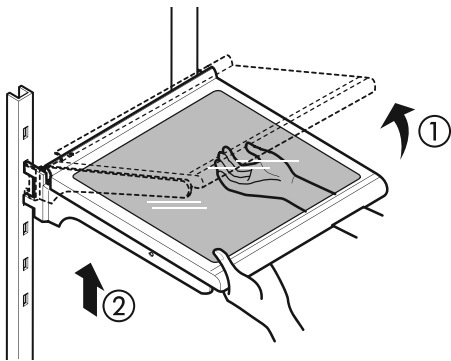
Adjusting the shelves to fit items of different heights will make finding the exact item you want easier. Doing so will also reduce the amount of time the refrigerator door is open which will save energy.

**IMPORTANT:** Do not clean glass shelves with warm water while they are cold. Shelves may break if exposed to sudden temperature changes or impact.

**CAUTION:** Glass shelves are heavy. Use special care when removing them.

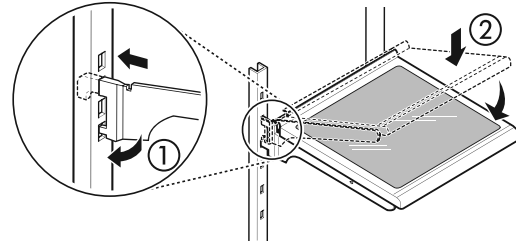
#### Detaching the Shelf (Half Shelf Type)

- 1 Tilt up the front of the shelf and then lift the shelf straight up.
- 2 Pull the shelf out.



#### Assembling the Shelf (Half Shelf Type)

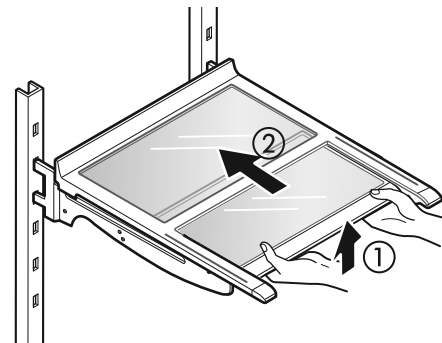
- 1 Tilt the front of the shelf up and guide the shelf hooks into the slots at a desired height.
- 2 Lower the front of the shelf so that the hooks drop into the slots.



**CAUTION:** Make sure that shelves are level from one side to the other. Failure to do so may result in the shelf falling or food spilling.

#### Folding Shelf (on some models)

You can store taller items, such as a gallon container or bottles, by simply pushing the front half of the shelf underneath the back half of the shelf. Pull the front of the shelf toward you to return to a full shelf.



## HUMIDITY CONTROLLED CRISPER

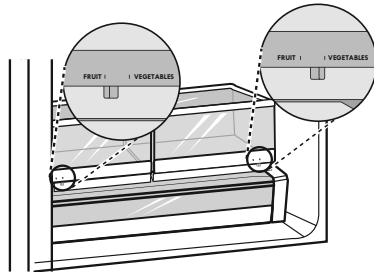
The crispers provide fresher tasting fruit and vegetables by letting you easily control humidity inside the drawer.

You can control the amount of humidity in the moisture-sealed crispers by adjusting the control to any setting between **VEGETABLES** and **FRUIT**.

- **VEGETABLES**

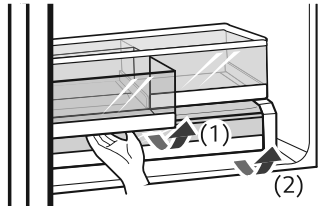
keeps moist air in the crisper for best storage of fresh, leafy vegetables.

- **FRUIT** lets moist air out of the crisper for best storage of fruit.

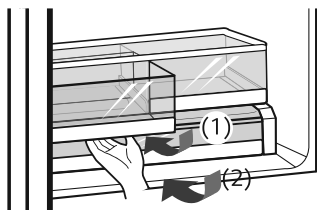


## REMOVING THE CRISPER OR PANTRY DRAWER

- 1 To remove, pull out the crisper (1) or drawer (2) to full extension, lift the front up, and pull straight out.

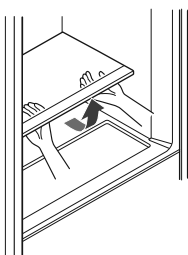


- 2 To install, slightly tilt up the front, insert the crisper or drawer into the frame and push it back into place.



### Crisper Cover

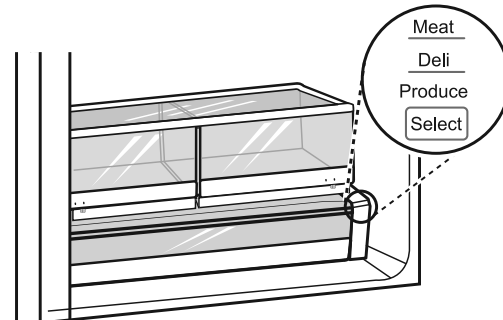
To remove, lift the front of the cover up until it detaches from the back wall of the cabinet, then pull it out.



## TEMPERATURE CONTROLLED PANTRY DRAWER

The Temperature Controlled Pantry Drawer provides storage space with a variable temperature control that can keep the compartment at a slightly different temperature than the refrigerator section. This drawer can be used for large party trays, deli items and beverages. (This drawer should not be used to store vegetables that require high humidity.)

Press the **Select** button to choose between **Produce (Cold)**, **Deli (Colder)** and **Meat (Coldest)**.

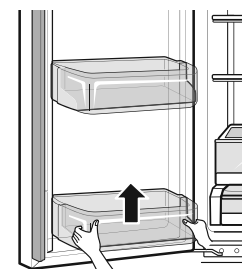


**CAUTION:** Do not store glass bottles in the pantry. If they are frozen, they can break and cause personal injury.

## DOOR BIN

The door bins are removable for easy cleaning and adjustment.

1. To remove the bin, simply lift the bin up and pull straight out.
2. To replace the bin, slide it in above the desired support and push down until it snaps into place.



### CAUTION

- Regularly detach and wash the storage bins and shelves; they can become easily contaminated by food.
- Do not apply excessive force while detaching or assembling the storage bins.
- Do not use the dishwasher to clean the storage bins and shelves.

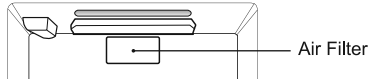
## USING YOUR REFRIGERATOR

### Replacing the Air Filter



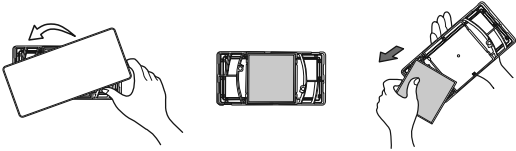
It is recommended that you replace the air filter:

- Approximately every six months.
- When the CHANGE light turns on.



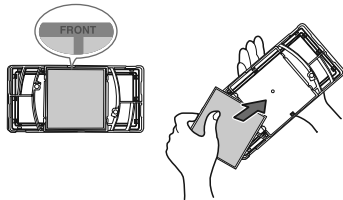
#### 1. Remove the Old Filter

Turn the filter cover to the left to detach it from the refrigerator wall. The filter is located on the inside of the filter cover.

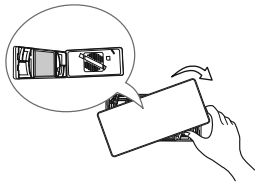


#### 2. Install a New Air Filter.

Place the new filter inside of the cover with the side that says "Front" facing outward.



#### 3. Turn the filter cover to the right to attach it to the refrigerator wall.



#### 4. Press and hold the Air Filter button for three seconds to reset the filter sensor.

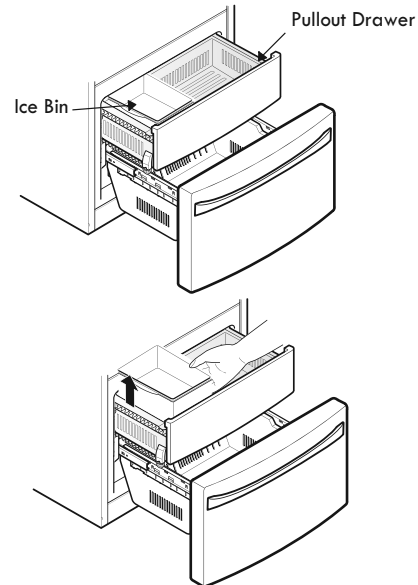


**NOTE:** To purchase a replacement air filter, call 1-844-553-6667.

## FREEZER SECTION

### ICE BIN

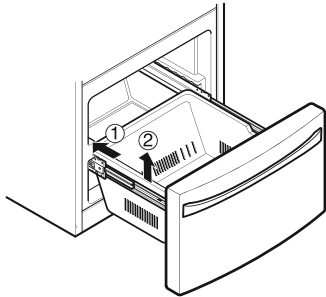
1. Pull the freezer drawer and the top pullout drawer out as far as possible to remove the ice bin.
2. Gently lift and pull out the ice bin.
3. To replace, pull both drawers out as far as possible, and set the bin in its correct position in the pullout drawer. Close the pullout drawer and the freezer drawer.



**⚠ CAUTION:** Pinch hazard! Keep hands and feet clear of the bottom of the freezer drawer when opening and closing.

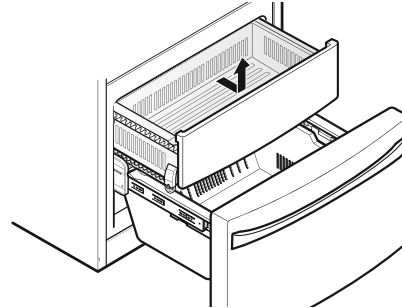
### DURABASE

1. To remove the Durabase, push it to the back as much as possible. Tilt up the front of the Durabase and pull straight out.
2. To replace, insert the Durabase in the rail assembly.

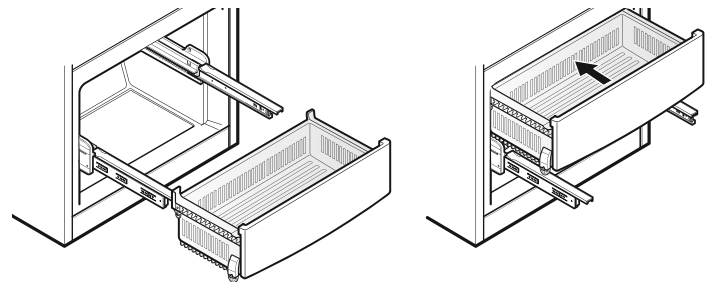


### PULLOUT DRAWERS

1. To remove, pull the drawer out to full extension. Lift the front of the drawer up, then pull it straight out.



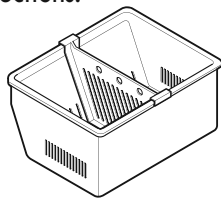
2. To install, slightly tilt up the front and insert the drawer into the frame and push it back into place.



**⚠ WARNING:** If the Durabase divider is removed, there is enough open space for children or pets to crawl inside. To prevent accidental child and pet entrapment or suffocation risk, **DO NOT** allow children or pets to touch or go near the drawer.

### DURABASE DIVIDER

The Durabase divider allows you to organize the Durabase area into sections.



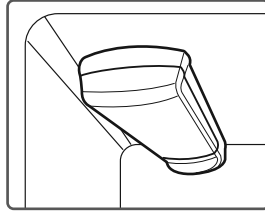
# WATER FILTER

## WATER FILTER



It is recommended that you replace the water filter:

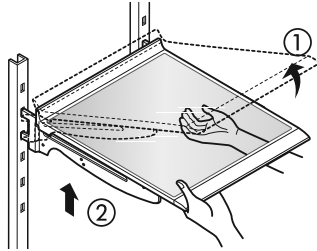
- Approximately every six months.
- When the water filter indicator turns on.
- When the ice cubes are smaller than normal.



### Before Replacing the Water Filter:

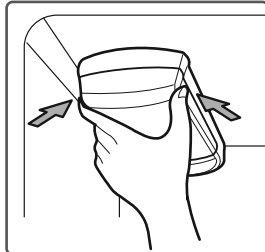
If the top shelf, located below the water filter, is in the highest position, it will need to be removed prior to replacing the water filter.

To remove any shelf—Tilt up the front of the shelf ① and lift it ②. Pull the shelf out.



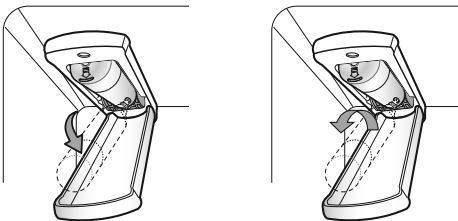
### 1. Remove the old water filter.

- Lower or remove the top left shelf to allow the water filter to rotate all the way down.
- Pinch the sides to open the water filter cover.



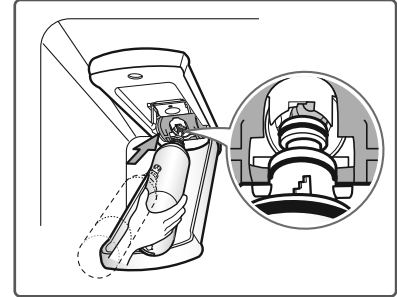
**NOTE:** Replacing the water filter causes a small amount of water (around 1 oz. or 25 cc) to drain. Place a cloth around the front end of the water filter cover to collect any leaking water. Hold the water filter upright, once it is removed, to prevent any remaining water from spilling out of the water filter.

- Make sure to rotate the filter down completely before pulling it out of the manifold hole.
- Pull the water filter downward and turn it counter-clockwise.

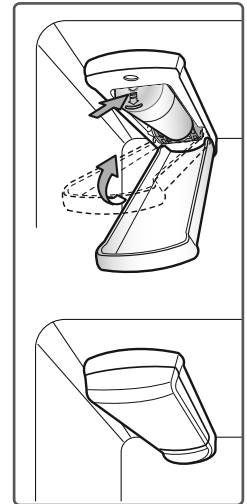


### 2. Replace with a new water filter.

- Take the new water filter out of its packing and remove the protective cover from the o-rings.



- With the water filter tabs in the horizontal position, push the new water filter into the manifold hole and turn it clockwise.



- Rotate the water filter up into position and close the cover. The cover will click when closed correctly.

3. After the water filter is replaced, dispense 2.5 gallons of water (flush for approximately 5 minutes) to remove trapped air and contaminants from the system. Do not dispense the entire 2.5 gallon amount continuously. Depress and release the dispenser pad for cycles of 30 seconds ON and 60 seconds OFF.

**NOTE:** To purchase a replacement filter, visit your local Sears store, or call 1-844-553-6667, You may also purchase online at [www.kenmore.com](http://www.kenmore.com).

**Performance Data Sheet**

Use Replacement Cartridge: MDJ64844602(9980)

The concentration of the indicated substances in water entering the system was reduced to a concentration less than or equal to the permissible limit for water leaving the system as specified in NSF/ANSI Standard 42 and Standard 53 and Standard 401.



System tested and certified by NSF International against NSF/ANSI Standard 42, Standard 53 and Standard 401. For the reduction of substances listed below.

Contaminant Reduction	Average Influent Challenge	NSF specified Challenge Concentration	Avg % Reduction	Average Product Water Concentration	Max Permissible Product Water Concentration	NSF Reduction Requirement
Chlorine Taste and Odor	2.0 µg/L	2.0 µg/L ± 10%	>97.5%	0.050 µg/L	N/A	≥ 50.00%
Nominal Particulate Class I, ≥ 0.5 to < 1.0 µm	12,000,000 pts/mL	At least 10,000 particles/mL	99.80%	24,000 pts/ml	N/A	≥ 85.00%
Asbestos	180 MFL	10 <sup>7</sup> to 10 <sup>8</sup> MFL; fibers greater than 10 µg/Lin length	>99.00%	< 1 MFL	N/A	≥ 99.00%
Atrazine	8.5 µg/L	9.0 µg/L ± 10%	>94.10%	0.500 µg/L	3.0 µg/L	NA
Benzene	15.0 µg/L	15.0 µg/L ± 10%	>96.60%	0.510 µg/L	5.0 µg/L	NA
Carbofuran	74.0 µg/L	80.0 µg/L ± 10%	98.30%	1.258 µg/L	40 µg/L	NA
Lindane	1.9 µg/L	2.0 µg/L ± 10%	>99.00%	0.019 µg/L	0.2 µg/L	NA
P-Dichlorobenzene	230.0 µg/L	225.0 µg/L ± 10%	>99.80%	0.460 µg/L	75.0 µg/L	NA
2,4-D	210.0 µg/L	210.0 µg/L ± 10%	>99.90%	0.210 µg/L	70.0 µg/L	NA
Lead @ pH 6.5	140.0 µg/L	150.0 µg/L ± 10%	99.60%	0.560 µg/L	10.0 µg/L	NA
Lead @ pH 8.5	150.0 µg/L	150.0 µg/L ± 10%	>90%	<0.500 µg/L	10.0 µg/L	NA
Mercury @ pH 6.5	5.9 µg/L	6.0 µg/L ± 10%	91.00%	0.531 µg/L	2.0 µg/L	NA
Mercury @ pH 8.5	5.6 µg/L	6.0 µg/L ± 10%	92.50%	<0.420 µg/L	2.0 µg/L	NA
Cyst*	100,000 cysts/L	Minimum 50,000 cysts/L	>99.99%	10	N/A	≥ 99.95%
Atenolol	240 ng/L	200 ± 40% ng/L	> 95.50%	10.80 ng/L	30 ng/L	NA
Carbamazepine	1600 ng/L	1400 ± 40% ng/L	98.40%	25.60 ng/L	200 ng/L	NA
DEET	1600 ng/L	1400 ± 40% ng/L	97.10%	46.40 ng/L	200 ng/L	NA
Trimethoprim	170 ng/L	140 ± 40% ng/L	>96.80%	5.44 ng/L	20 ng/L	NA
Linuron	160 ng/L	140 ± 40% ng/L	>96.60%	5.44 ng/L	20 ng/L	NA
Phenytoin	200 ng/L	200 ± 40% ng/L	>94.80%	10.40 ng/L	30 ng/L	NA
Ibuprofen	400 ng/L	400 ± 40% ng/L	>94.50%	22.00 ng/L	60 ng/L	NA
Naproxen	140 ng/L	140 ± 40% ng/L	>96.10%	5.46 ng/L	20 ng/L	NA
Estrone	120 ng/L	140 ± 40% ng/L	>96.10%	4.68 ng/L	20 ng/L	NA
Bisphenol A	2000 ng/L	2000 ± 40% ng/L	>98.90%	22.00 ng/L	300 ng/L	NA
Nonyl Phenol	1600 ng/L	1400 ± 40% ng/L	>97.10%	46.40 ng/L	200 ng/L	NA

\* Based on the use of Cryptosporidium parvum oocysts.

## WATER FILTER

Application Guidelines/Water Supply Parameters	
Service Flow	0.5 gpm (1.9 lpm)
Water Supply	Potable Water
Water Pressure	20-120 psi (138 - 827 kPa)
Water Temperature	33°F - 100°F (0.6°C - 38°C)

It is essential that the manufacturer's recommended installation, maintenance and water filter replacement requirements be carried out for the product to perform as advertised.

**NOTE:** While the testing was performed under standard laboratory conditions, actual performance may vary.

**NOTE:** To purchase a replacement filter, visit your local Sears store, or call 1-844-553-6667. You may also purchase online at [www.kenmore.com](http://www.kenmore.com)

Product distributed in the United States by Sears Brands Management Corporation, Hoffman Estates, IL 60179.

NSF is a trademark of NSF International.

## ! WARNING

**To reduce the risk associated with ingestion of contaminants: Do not use with water that is microbiologically unsafe or of unknown quality without adequate disinfection before and after the system.** Systems certified for cyst reduction may be used on disinfected water that may contain filterable cysts. EPA Establishment Number 10350-MN-005

## ! CAUTION

**To reduce the risk associated with property damage due to water leakage:**

- **Read and follow** the Water Filter instructions before installation and use of this system.
- Installation and use **MUST** comply with all state and local plumbing codes.
- **Do not** install if water pressure exceeds 120 psi (827 kPa). Contact a plumbing professional if you are uncertain of how to check your water pressure.
- **Do not** install where water hammer conditions may occur. If water hammer conditions exist, you must install a water hammer arrester. Contact a plumbing professional if you are uncertain of how to check for this condition.
- **Do not** install on hot water supply lines. The maximum operating water temperature of this water filter system is 100°F (38°C).
- **Protect water filter from freezing.** Do not operate refrigerator in ambient conditions below 55°F (12.7°C). Drain water filter when storing unit in temperatures below 40°F (4.4°C).
- The disposable water filter must be replaced every six months, at the rated capacity, or if a noticeable reduction in flow rate occurs.

## CARE AND CLEANING

### **! WARNING**



#### **Explosion Hazard**

Use non-flammable cleaner. Failure to do so can result in fire, explosion, or death.

Both the refrigerator and freezer sections defrost automatically; however, clean both sections about once a month to prevent odors. Wipe up spills immediately.

#### **GENERAL CLEANING TIPS**

- Unplug refrigerator or disconnect power.
- Remove all removable parts, such as shelves, crispers, etc. Refer to sections in *Using Your Refrigerator* for removal instructions.
- Use a clean sponge or soft cloth and a mild detergent in warm water. Do not use abrasive or harsh cleaners.
- Hand wash, rinse and dry all surfaces thoroughly.
- Plug in refrigerator or reconnect power.

#### **EXTERIOR**

Waxing external painted metal surfaces helps provide rust protection. Do not wax plastic parts. Wax painted metal surfaces at least twice a year using appliance wax (or auto paste wax). Apply wax with a clean, soft cloth.

For products with a stainless steel exterior, use a clean sponge or soft cloth and a mild detergent in warm water. Do not use abrasive or harsh cleaners. Dry thoroughly with a soft cloth.

#### **INSIDE WALLS (allow freezer to warm up so the cloth will not stick)**

To help remove odors, you can wash the inside of the refrigerator with a mixture of baking soda and warm water. Mix 2 tablespoons of baking soda to 1 quart of water (26 g soda to 1 liter water.) Be sure the baking soda is completely dissolved so it does not scratch the surfaces of the refrigerator.

**! CAUTION:** While cleaning the inside, do not spray water.

#### **DOOR LINERS AND GASKETS**

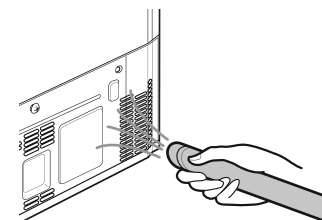
Use a clean sponge or soft cloth and a mild detergent in warm water. Do not use cleaning waxes, concentrated detergents, bleaches, or cleaners containing petroleum on plastic refrigerator parts.

#### **PLASTIC PARTS (Covers and Panels)**

Use a clean sponge or soft cloth and a mild detergent in warm water. Do not use glass cleaners, abrasive cleansers, or flammable fluids. These can scratch or damage the material.

#### **CONDENSER COILS**

Use a vacuum cleaner with an attachment to clean the condenser cover and vents. Do not remove the panel covering the condenser coil area.



### LIGHT BULB REPLACEMENT

#### **WARNING**

##### **Electrical Shock Hazard**

Before replacing a Compartment Lamp, either unplug the refrigerator or turn off power at the circuit breaker or fuse box.

**NOTE:** The refrigerator and freezer compartment lights have LED interior lighting, and service should be performed by a qualified technician.

### POWER INTERRUPTIONS

1. If the power will be out for 24 hours or less, keep all refrigerator doors closed to help foods stay cold and frozen.
2. If the power will be out for more than 24 hours, remove all frozen food and store it in a frozen food locker.

### WHEN YOU GO ON VACATION

If you choose to leave the refrigerator on while you are away, follow these steps to prepare your refrigerator before you leave.

1. Use up any perishables and freeze other items.
2. Turn off the icemaker and empty the ice bin.

If you choose to turn the refrigerator off before you leave, follow these steps.

1. Remove all food from the refrigerator.
2. Depending on your model, set the thermostat control (refrigerator control) to OFF. See the Setting the Controls section.
3. Clean the refrigerator, wipe it and dry well.
4. Tape rubber or wood blocks to the tops of both doors to prop them open far enough for air to get in. This stops odor and mold from building up.

### WHEN YOU MOVE

When you are moving your refrigerator to a new home, follow these steps to prepare it for the move.

1. Remove all food from the refrigerator and pack all frozen food in dry ice.
2. Unplug the refrigerator.
3. Clean, wipe and dry thoroughly.
4. Take out all removable parts, wrap them well and tape them together so they do not shift and rattle during the move. Refer to the **Using your Refrigerator** section for removal instructions.
5. Depending on the model, raise the front of the refrigerator so it rolls more easily OR screw in the leveling legs all the way so they do not scrape the floor. See the Leveling section.
6. Tape the doors shut and tape the power cord to the refrigerator cabinet.

When you get to your new home, put everything back and refer to the **Refrigerator Installation** section for preparation instructions.

## CONNECTING THE WATER LINE

### BEFORE YOU BEGIN

This water line installation is not covered by the refrigerator warranty. Follow these instructions carefully to minimize the risk of expensive water damage.

Water hammer (water banging in the pipes) in house plumbing can cause damage to refrigerator parts and can lead to water leakage or flooding. Call a qualified plumber to correct water hammer before installing the water supply line to the refrigerator.

**⚠ CAUTION:** To prevent burns and product damage, only connect the refrigerator water line to a cold water supply.

If you use your refrigerator before connecting the water line, make sure the icemaker is turned OFF at the control panel.

**⚠ CAUTION:** Do not install the icemaker tubing in areas where temperatures fall below freezing.

### WATER PRESSURE

The water pressure must be between 20 and 120 psi. If the refrigerator is installed in an area with low water pressure (below 20 psi), you can install a booster pump to compensate for the low pressure.

If a **reverse osmosis water filtration system** is connected to your cold water supply, this water line installation is not covered by the refrigerator warranty. Follow the instructions carefully to minimize the risk of expensive water damage.

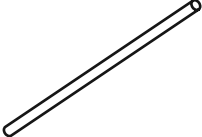
If a **reverse osmosis water filtration system** is connected to your cold water supply, the water pressure to the reverse osmosis system needs to be a minimum of 40 to 60 psi (276-414 kPa or 2.8-4.2 kgf/cm<sup>2</sup>, less than 2.0-3.0 sec. to fill a cup of 7 oz or 198 cc capacity).

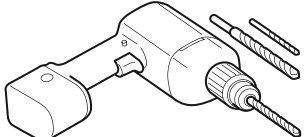
If the water pressure from the reverse osmosis system is less than 20 psi or 138 kPa or 1.4 kgf/cm<sup>2</sup> (takes more than 4.0 sec to fill a cup of 7 oz or 198 cc capacity):

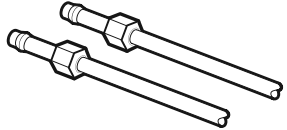
- Check to see if the sediment filter in the reverse osmosis system is blocked. Replace the filter if necessary.
- Allow the storage tank on the reverse osmosis system to refill after heavy usage.
- If the issue concerning water pressure from reverse osmosis remains, call a licensed, qualified plumber.
- All installations must be in accordance with local plumbing code requirements.

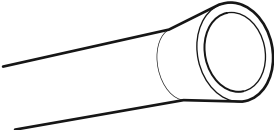
**⚠ CAUTION:** Wear eye protection during installation to prevent injury.

### WHAT YOU WILL NEED

- **Copper Tubing**, 1/4 in. outer diameter, to connect the refrigerator to the water supply. Be sure both ends of the tubing are cut square. 
- To determine how much tubing you need: measure the distance from the water valve on the back of the refrigerator to the water supply pipe. Then, add 8 feet (2.4 m). Be sure there is sufficient extra tubing (about 8 feet [2.4 m] coiled into 3 turns of about 10 in. [25 cm] diameter) to allow the refrigerator to move out from the wall after installation.

- **Power drill.**
- **1/2 in. or adjustable wrench.**
- **Flat blade and Phillips head screwdrivers.**
- **Two 1/4 in. outer diameter compression nuts and 2 ferrules (sleeves)** to connect the copper tubing to the shutoff valve and the refrigerator water valve. 

- If your existing copper water line has a flared fitting at the end, you will need an **adapter** (available at plumbing supply stores) to connect the water line to the refrigerator OR you can cut off the flared fitting with a tube cutter and then use a compression fitting. 

- **Shutoff valve to connect to the cold water line.** The shutoff valve should have a water inlet with a minimum inside diameter of 5/32 in. at the point of connection to the COLD WATER LINE. Saddle-type shutoff valves are included in many water supply kits. Before purchasing, make sure a saddle-type valve complies with your local plumbing codes. 

**NOTE:** A Self Piercing Saddle Type Water Valve should not be used. 

## ⚠ WARNING

### Electrical Shock Hazard

When using any electrical device (such as a power drill) during installation, be sure the device is battery powered, double insulated or grounded in a manner that will prevent the hazard of electric shock.

## CONNECTING THE WATER LINE

### INSTALLATION INSTRUCTIONS

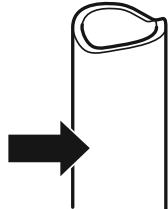
Install the shutoff valve on the nearest frequently used drinking water line.

#### 1. SHUT OFF THE MAIN WATER SUPPLY

Turn on the nearest faucet to relieve the pressure on the line.

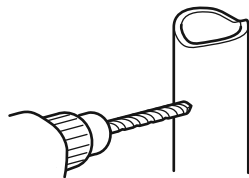
#### 2. CHOOSE THE VALVE LOCATION

Choose a location for the valve that is easily accessible. It is best to connect into the side of a vertical water pipe. When it is necessary to connect into a horizontal water pipe, make the connection to the top or side, rather than at the bottom, to avoid drawing off any sediment from the water pipe.



#### 3. DRILL THE HOLE FOR THE VALVE

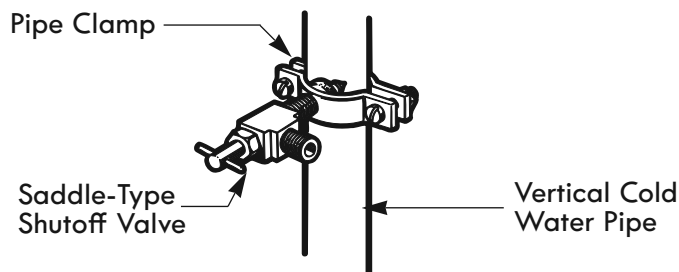
Drill a 1/4 in. hole in the water pipe using a sharp bit. Remove any burrs resulting from drilling the hole in the pipe. Be careful not to allow water to drain into the drill. Failure to drill a 1/4 in. hole may result in reduced ice production or smaller cubes.



**NOTE:** The hookup line cannot be white, plastic tubing. Licensed plumbers must use only copper tubing (NDA tubing #49595 or #49599) or Cross Link Polyethylene (PEX) tubing.

#### 4. FASTEN THE SHUTOFF VALVE

Fasten the shutoff valve to the cold water pipe with the pipe clamp.

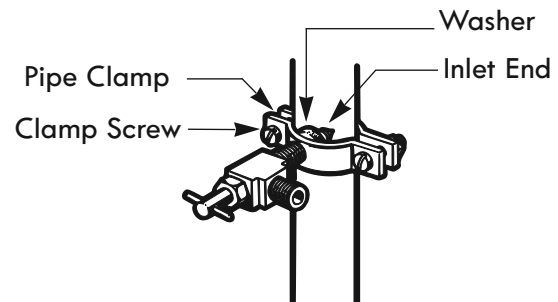


**NOTE:** Commonwealth of Massachusetts Plumbing Codes 248CMR shall be adhered to. Saddle valves are illegal and use is not permitted in Massachusetts. Consult with your licensed plumber.

#### 5. TIGHTEN THE PIPE CLAMP

Tighten the clamp screws until the sealing washer begins to swell.

**NOTE:** Do not overtighten clamp or you may crush the tubing.



#### 6. ROUTE THE TUBING

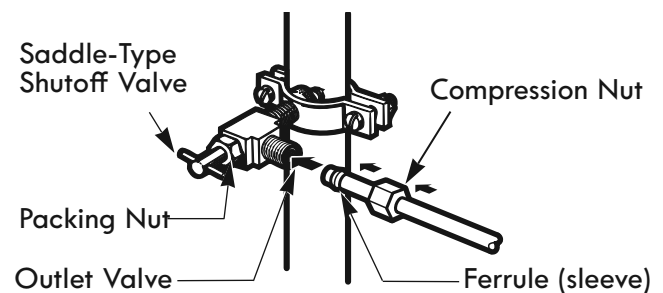
Route the tubing between the cold water line and the refrigerator.

Route the tubing through a hole drilled in the wall or floor (behind the refrigerator or adjacent base cabinet) as close to the wall as possible.

**NOTE:** Be sure there is sufficient extra tubing (about 8 feet coiled into 3 turns of about 10 in. diameter) to allow the refrigerator to move out from the wall after installation.

#### 7. CONNECT THE TUBING TO THE VALVE

Place the compression nut and ferrule (sleeve) for copper tubing onto the end of the tubing and connect it to the shutoff valve. Make sure the tubing is fully inserted into the valve. Tighten the compression nut securely.

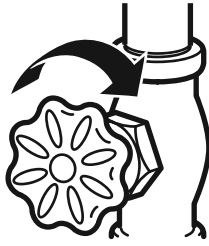


**NOTE:** Commonwealth of Massachusetts Plumbing Codes 248CMR shall be adhered to. Saddle valves are illegal and their use is not permitted in Massachusetts. Consult with your licensed plumber.

**8. FLUSH OUT THE TUBING**

Turn the main water supply on and flush out the tubing until the water is clear.

Shut the water off at the water valve after about one quart of water has been flushed through the tubing.

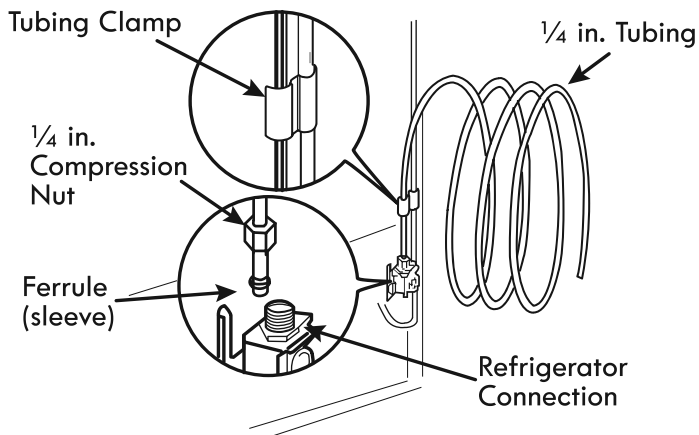


**9. CONNECT THE TUBING TO THE REFRIGERATOR**

**! WARNING**

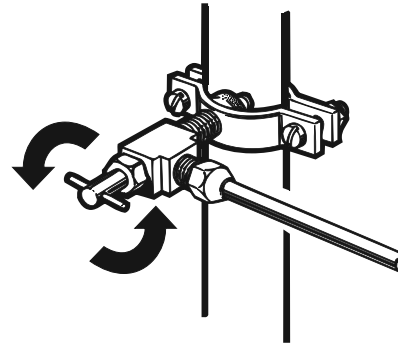
Before making the connection to the refrigerator, be sure that the refrigerator power cord is not plugged into the wall outlet.

1. Remove the plastic flexible cap from the water valve.
2. Place the compression nut and ferrule (sleeve) onto the end of the tubing as shown.
3. Insert the end of the copper tubing into the connection as far as possible. While holding the tubing, tighten the fitting.



**10. TURN THE WATER ON AT THE SHUTOFF VALVE**

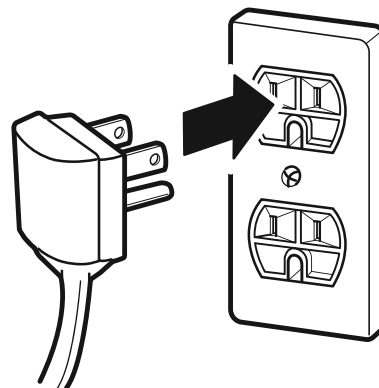
Tighten any connections that leak.



**! CAUTION:** Check to see if leaks occur at the water line connections.

**11. PLUG IN THE REFRIGERATOR**

Arrange the coil of tubing so that it does not vibrate against the back of the refrigerator or against the wall. Push the refrigerator back to the wall.



**12. START THE ICEMAKER**

Set the icemaker power switch to the **On (I)** position.

The icemaker will not begin to operate until it reaches its operating temperature of 15°F (-9°C) or below. It will then begin operation automatically if the icemaker button has been turned ON.

**NOTE:** A newly installed refrigerator may take several hours to start producing ice.

# TROUBLESHOOTING GUIDE

Before conducting troubleshooting, make sure that the following basic requirements are met:

<b>Service Flow</b>	<b>0.5 gpm (1.9 lpm)</b>
<b>Water Supply</b>	<b>Potable Water</b>
<b>Water Pressure</b>	<b>20-120 psi (138 - 827 kPa)</b>
<b>Operating Ambient Temperature Limits</b>	<b>55°F - 110°F</b>
<b>Electrical Ratings</b>	<b>115 Volts, 60 Hz, AC only, and fused at 15 or 20 amperes.</b>

## COOLING

<b>Problem</b>	<b>Possible Causes</b>	<b>Solutions</b>
Refrigerator and Freezer section are not cooling.	The refrigerator control is set to OFF (some models).	Turn the control ON. Refer to the Setting the Controls section for proper temperature settings.
	Refrigerator is set to demo mode.	Demo Mode allows the lights and control display to work normally while disabling cooling to save energy while on the showroom floor. Refer to the Setting the Controls section for instructions on how to disable Demo Mode.
	Refrigerator is in the defrost cycle.	During the defrost cycle, the temperature of each compartment may rise slightly. Wait 30 minutes and confirm the proper temperature has been restored once the defrost cycle has completed.
	Refrigerator was recently installed.	It may take up to 24 hours for each compartment to reach the desired temperature.
	Refrigerator was recently relocated.	If the refrigerator was stored for a long period of time or moved on its side, it is necessary for the refrigerator to stand upright for 24 hours before connecting it to power.
Cooling system runs too much.	Refrigerator is replacing an older model.	Modern refrigerators require more operating time but use less energy due to more efficient technology.
	Refrigerator was recently plugged in or power restored.	The refrigerator will take up to 24 hours to cool completely.
	Door opened often or a large amount of food / hot food was added.	Adding food and opening the door warms the refrigerator, requiring the compressor to run longer in order to cool the refrigerator back down. In order to conserve energy, try to get everything you need out of the refrigerator at once, keep food organized so it is easy to find, and close the door as soon as the food is removed. (Refer to the Food Storage Guide.)
	Doors are not closed completely.	Firmly push the doors shut. If they will not shut all the way, see the "Doors will not close completely or pop open" section in Parts & Features Troubleshooting.
	Refrigerator is installed in a hot location.	The compressor will run longer under warm conditions. At normal room temperatures (70°F) expect your compressor to run about 40% to 80% of the time. Under warmer conditions, expect it to run even more often. The refrigerator should not be operated above 110°F.
	Condenser / back cover is clogged.	Use a vacuum cleaner with an attachment to clean the condenser cover and vents. Do not remove the panel covering the condenser coil area.

## COOLING

Problem	Possible Causes	Solutions
Refrigerator or Freezer section is too warm.	Refrigerator was recently installed.	It may take up to 24 hours for each compartment to reach the desired temperature.
	Air vents are blocked.	Rearrange items to allow air to flow throughout the compartment. Refer to the Airflow diagram in the Using Your Refrigerator section.
	Doors are opened often or for long periods of time.	When the doors are opened often or for long periods of time, warm, humid air enters the compartment. This raises the temperature and moisture level within the compartment. To lessen the effect, reduce the frequency and duration of door openings.
	Unit is installed in a hot location.	The refrigerator should not be operated in temperatures above 110°F.
	A large amount of food or hot food was added to either compartment.	Adding food warms the compartment requiring the cooling system to run. Allowing hot food to cool to room temperature before putting it in the refrigerator will reduce this effect.
	Doors not closed correctly.	See the "Doors will not close correctly or pop open" section in Parts & Features Troubleshooting.
	Temperature control is not set correctly.	If the temperature is too warm, adjust the control one increment at a time and wait for the temperature to stabilize. Refer to the Setting the Controls section for more information.
	Defrost cycle has recently completed.	During the defrost cycle, the temperature of each compartment may rise slightly and condensation may form on the back wall. Wait 30 minutes and confirm the proper temperature has been restored once the defrost cycle has completed.
Interior moisture buildup.	Doors are opened often or for long periods of time.	When the doors are opened often or for long periods of time, warm, humid air enters the compartment. This raises the temperature and moisture level within the compartment. To lessen the effect, reduce the frequency and duration of door openings.
	Doors not closed correctly.	See the "Doors will not close correctly" section in the Troubleshooting section.
	Weather is humid.	Humid weather allows additional moisture to enter the compartments when the doors are opened leading to condensation or frost. Maintaining a reasonable level of humidity in the home will help to control the amount of moisture that can enter the compartments.
	Defrost cycle recently completed.	During the defrost cycle, the temperature of each compartment may rise slightly and condensation may form on the back wall. Wait 30 minutes and confirm that the proper temperature has been restored once the defrost cycle has completed.
	Food is not packaged correctly.	Food stored uncovered or unwrapped, and damp containers can lead to moisture accumulation within each compartment. Wipe all containers dry and store food in sealed packaging to prevent condensation and frost.

## TROUBLESHOOTING GUIDE

### COOLING/ICE & WATER

Problem	Possible Causes	Solutions
Food is freezing in the refrigerator compartment.	Food with high water content was placed near an air vent.	Rearrange items with high water content away from air vents.
	Refrigerator temperature control is set incorrectly.	If the temperature is too cold, adjust the control one increment at a time and wait for the temperature to stabilize. Refer to the Setting the Controls section for more information.
	Refrigerator is installed in a cold location.	When the refrigerator is operated in temperatures below 41°F (5°C), food can freeze in the refrigerator compartment. The refrigerator should not be operated in temperatures below 55°F (13°C).
Frost or ice crystals form on frozen food (outside of package).	Door is opened frequently or for long periods of time.	When the doors are opened often or for long periods of time, warm, humid air enters the compartment. This raises the temperature and moisture level within the compartment. Increased moisture will lead to frost and condensation. To lessen the effect, reduce the frequency and duration of door openings.
	Door is not closing properly.	Refer to the "Doors will not close correctly or pop open" section in the Troubleshooting section.
Refrigerator or Freezer section is too cold.	Incorrect temperature control settings.	If the temperature is too cold, adjust the control one increment at a time and wait for the temperature to stabilize. Refer to the Setting the Controls section for more information.
Frost or ice crystals on frozen food (inside of sealed package).	Condensation from food with a high water content has frozen inside of the food package.	This is normal for food items with a high water content.
	Food has been left in the freezer for a long period of time.	Do not store food items with high water content in the freezer for a long period of time.
Icemaker is not making enough ice.	Demand exceeds ice storage capacity.	The icemaker will produce approximately 70-182 cubes in a 24 hour period.
	House water supply is not connected, valve is not turned on fully, or valve is clogged.	Connect the refrigerator to a cold water supply with adequate pressure and turn the water shutoff valve fully open.  If the problem persists, it may be necessary to contact a plumber.
	Water filter has been exhausted.	It is recommended that you replace the water filter: <ul style="list-style-type: none"> <li>• Approximately every six months.</li> <li>• When the water filter indicator turns on.</li> <li>• When the water dispenser output decreases.</li> <li>• When the ice cubes are smaller than normal.</li> </ul>
	Low house water supply pressure.	The water pressure must be between 20 and 120 psi on models without a water filter and between 40 and 120 psi on models with a water filter.  If the problem persists, it may be necessary to contact a plumber or install a booster pump to compensate for the low pressure.
	Reverse osmosis filtration system is used.	Reverse osmosis filtration systems can reduce the water pressure below the minimum amount and result in icemaker issues. (Refer to <b>Water Pressure</b> section.)
	Tubing connecting refrigerator to house supply valve is kinked.	The tubing can kink when the refrigerator is moved during installation or cleaning resulting in reduced water flow. Straighten or repair the water supply line and arrange it to prevent future kinks.

## ICE &amp; WATER

Problem	Possible Causes	Solutions
Icemaker is not making enough ice (continued).	Doors are opened often or for long periods of time.	If the doors of the unit are opened often, ambient air will warm the refrigerator which will prevent the unit from maintaining the set temperature. Lowering the refrigerator temperature can help, as well as not opening the doors as frequently.
	Doors are not closed completely.	If the doors are not properly closed, ice production will be affected. See the "Doors will not close completely or pop open" section in Parts & Features Troubleshooting for more information.
	The temperature setting for the freezer is too warm.	The recommended temperature for the freezer compartment for normal ice production is 0°F. If the freezer temperature is warmer, ice production will be affected.
Icemaker is not making ice.	Refrigerator was recently installed or icemaker recently connected.	It may take up to 24 hours for each compartment to reach the desired temperature and for the icemaker to begin making ice.
	Icemaker not turned on.	Locate the icemaker ON/OFF button and confirm that it is turned ON.
	The refrigerator is not connected to a water supply or the supply shutoff valve is not turned on.	Connect refrigerator to the water supply and turn the water shutoff valve fully open.
	Icemaker shutoff (feeler arm) obstructed.	If your icemaker is equipped with an ice shutoff arm, make sure that the arm moves freely.
	Reverse osmosis water filtration system is connected to your cold water supply.	Reverse osmosis filtration systems can reduce the water pressure below the minimum amount and result in icemaker issues. (Refer to the <b>Water Pressure</b> section.)
Ice has bad taste or odor.	Water supply contains minerals such as sulfur.	A water filter may need to be installed to eliminate taste and odor problems. <b>NOTE:</b> In some cases, a filter may not help. It may not be possible to remove all minerals / odor / taste in all water supplies.
	Icemaker was recently installed.	Discard the first few batches of ice to avoid discolored or bad tasting ice.
	Ice has been stored for too long.	Ice that has been stored for too long will shrink, become cloudy, and may develop a stale taste. Throw away old ice and make a new supply.
	The food has not been stored properly in either compartment.	Rewrap the food. Odors may migrate to the ice if food is not wrapped properly.
	The interior of the refrigerator needs to be cleaned.	See the Care and Cleaning section for more information.
	The ice storage bin needs to be cleaned.	Empty and wash the bin (discard old cubes). Make sure that the bin is completely dry before reinstalling it.
Icemaker is making too much ice.	Icemaker shutoff (feeler arm) is obstructed.	Empty the ice bin. If your icemaker is equipped with an ice shutoff arm, make sure that the arm moves freely. Reinstall the ice bin and wait 24 hours to confirm proper operation.

**NOISE**

<b>Problem</b>	<b>Possible Causes</b>	<b>Solutions</b>
Clicking	The defrost control will click when the automatic defrost cycle begins and ends. The thermostat control (or refrigerator control on some models) will also click when cycling on and off.	Normal Operation
Rattling	Rattling noises may come from the flow of refrigerant, the water line on the back of the unit, or items stored on top of or around the refrigerator.	Normal Operation
	Refrigerator is not resting solidly on the floor.	Floor is weak or uneven or leveling legs need to be adjusted. See the <b>Door Alignment</b> section.
	Refrigerator with linear compressor was jarred while running.	Normal Operation
Whooshing	Evaporator fan motor is circulating air through the refrigerator and freezer compartments.	Normal Operation
	Air is being forced over the condenser by the condenser fan.	Normal Operation
Gurgling	Refrigerant flowing through the cooling system.	Normal Operation
Popping	Contraction and expansion of the inside walls due to changes in temperature.	Normal Operation
Sizzling	Water dripping on the defrost heater during a defrost cycle.	Normal Operation
Vibrating	If the side or back of the refrigerator is touching a cabinet or wall, some of the normal vibrations may make an audible sound.	To eliminate the noise, make sure that the sides and back cannot vibrate against any wall or cabinet.
Dripping	Water running into the drain pan during the defrost cycle.	Normal Operation
Pulsating or High-Pitched Sound	Your refrigerator is designed to run more efficiently to keep your food items at the desired temperature. The high efficiency compressor may cause your new refrigerator to run longer than your old one, but it is still more energy efficient than previous models. While the refrigerator is running, it is normal to hear a pulsating or high-pitched sound.	Normal Operation

## PARTS &amp; FEATURES

Problem	Possible Causes	Solutions
Doors will not close correctly or pop open.	Food packages are blocking the door open.	Rearrange food containers to clear the door and door shelves.
	Ice bin, crisper cover, pans, shelves, door bins, or drawers are out of position.	Push bins all the way in and put crisper cover, pans, shelves and drawers into their correct positions. See the Using Your Refrigerator section for more information.
	The doors were removed during product installation and not properly replaced.	Remove and replace the doors according to the Removing and Replacing Refrigerator Handles and Doors section.
	Refrigerator is not leveled properly.	See Door Alignment in the Refrigeration Installation section to level refrigerator.
Doors are difficult to open.	The gaskets are dirty or sticky.	Clean the gaskets and the surfaces that they touch. Rub a thin coat of appliance polish or kitchen wax on the gaskets after cleaning.
	Door was recently closed.	When you open the door, warmer air enters the refrigerator. As the warm air cools, it can create a vacuum. If the door is hard to open, wait one minute to allow the air pressure to equalize, then see if it opens more easily.
Refrigerator wobbles or seems unstable.	Leveling legs are not adjusted properly.	Refer to the Leveling and Door Alignment section.
	Floor is not level.	It may be necessary to add shims under the leveling legs or rollers to complete installation.
Lights do not work.	LED interior lighting failure.	The refrigerator compartment lamp is LED interior lighting, and service should be performed by a qualified technician. Refer to the Light Bulb Replacement section.
Refrigerator has an unusual odor.	The Air Filter may need to be set to the MAX setting or replaced.	Set the Air Filter to the MAX setting. If the odor does not go away within 24 hours, the filter may need to be replaced. See the Replacing the Air Filter section for replacement instructions.
The interior of the refrigerator is covered with dust or soot.	The refrigerator is located near a fire source, such as a fireplace, chimney or candle.	Make sure that the refrigerator is not located near a fire source, such as a fireplace, chimney or candle.

# DIAGNOSTICS

## Diagnostics

Should you experience any problems with your refrigerator, it has the capability of transmitting data via your telephone to the Diagnostics Team. This gives you the capability of speaking directly to our trained specialists. The specialist records the data transmitted from your machine and uses it to analyze the issue, providing a fast, effective diagnosis.

If you experience problems with your refrigerator, call 1-844-553-6667.

Only use the Diagnostics feature when instructed to do so by the Diagnostics Team agent.

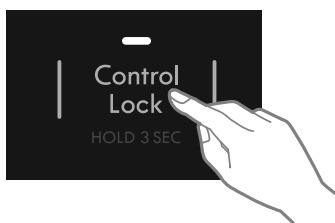
The transmission sounds that you will hear are normal and sound similar to a fax machine.

Diagnostics cannot be activated unless your refrigerator is connected to power. If your refrigerator is unable to turn on, then troubleshooting must be done without using Diagnostics.

## Using Diagnostics

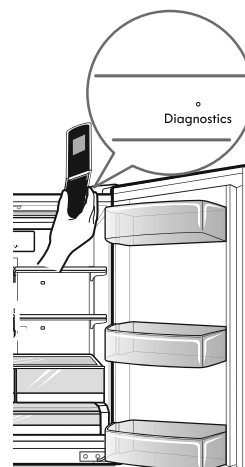
First, call 1-844-553-6667. If the number of the phone you are using is on file and is associated with your refrigerator, you will be quickly relayed to a Diagnostics team agent. Only use the Diagnostics feature when instructed to do so by the Diagnostics Team agent.

1. Lock the display. To lock the display, press and hold the Control Lock button for three seconds. (If the display has been locked for over five minutes, you must deactivate the lock and then reactivate it.)

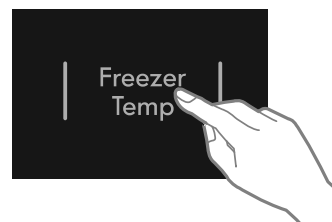


2. Open the right refrigerator door.

3. Hold the mouthpiece of your phone in front of the speaker that is located on the right hinge of the refrigerator door, when instructed to do so by the call center.



4. Press and hold the Freezer Temp button for three seconds while continuing to hold your phone to the speaker.



5. After you hear three beeps, release the Freezer Temp button.
6. Keep the phone in place until the tone transmission has finished. The display will count down the time. Once the countdown is over and the tones have stopped, resume your conversation with the specialist, who will then be able to assist you in using the information transmitted for analysis.

### NOTE:

- For best results, do not move the phone while the tones are being transmitted.
- If the call center agent is not able to get an accurate recording of the data, you may be asked to try again.

## ÍNDICE

<b>Garantía</b> .....	46
<b>Registro del producto</b> .....	47
<b>Instrucciones de seguridad importantes</b> .....	48-50
<b>Requisitos eléctricos y de conexión a tierra</b> ....	50
<b>Componentes y características</b> .....	51
<b>Instalación del refrigerador</b> .....	52
Desembalaje del refrigerador .....	52
Instalación .....	53
Desmontaje y colocación de las manijas y puertas del congelador .....	54-60
Nivelación y alineación de las puertas .....	61
<b>Uso del refrigerador</b> .....	62-73
Ajuste de los controles .....	62-63
Funciones inteligentes .....	64
Instrucciones de Smart Grid .....	65-66
Depósito de hielo del interior de la puerta .....	67
Instrucciones de operación .....	68
Guía para el almacenamiento de alimentos .....	69
<b>► Sección refrigerador</b>	
Estantes del refrigerador .....	70
Cajón con control de humedad .....	71
Cajón dispensero con control de temperatura .....	71
Bandejas de puerta .....	71
Filtro de aire .....	72
<b>► Sección congelador</b>	
Depósito de hielo adicional .....	72
Durabase .....	73
Divisor Durabase .....	73
Cajón Extraíble .....	73
<b>Filtro de agua</b> .....	74-76
<b>Cuidado y limpieza</b> .....	77-78
Sugerencias generales de limpieza .....	77
Exterior .....	77
Paredes interiores .....	77
Revestimiento de las puertas y juntas .....	77
Piezas de plástico .....	77
Bobinas del condensador .....	77
Sustitución de la bombilla .....	78
Interrupciones de alimentación .....	78
Cuando se va de vacaciones .....	78
Cuando se muda .....	78
<b>Conexión de la tubería de agua</b> .....	79-81
<b>Guía para la solución de problemas</b> .....	82 -87
<b>Diagnósticos (Diagnósticos)</b> .....	88

# GARANTÍA



## GARANTÍA DEL REFRIGERADOR

### GARANTÍA LIMITADA KENMORE ELITE

Con el COMPROBANTE DE COMPRA, la siguiente cobertura de garantía aplica cuando este electrodoméstico se instala, opera y mantiene correctamente, de acuerdo con todas las instrucciones proporcionadas.

#### Un Año de Garantía en el Electrodoméstico

Este aparato tiene garantía por defectos en el material o mano de obra DURANTE UN AÑO a partir de la fecha de venta. Si el aparato está defectuoso, recibirá la reparación sin costo. Si el aparato está defectuoso, recibirá la reparación sin costo. Si el aparato no puede ser reparado, este será reemplazado sin costo. La cobertura de garantía completa aplica solamente por 90 días a partir de la fecha de venta si el electrodoméstico se usa con fines distintos del uso doméstico.

#### Cinco Años de Garantía en el Sistema Refrigerante Sellado

El sistema refrigerante sellado tiene garantía por defectos en el material o mano de obra DURANTE CINCO AÑOS a partir de la fecha de venta.

\* Si aparecen defectos en alguna pieza del sistema dentro del primer año, se le proporcionará e instalará una nueva sin costo. Si aparece un defecto en una pieza del sistema después del primer año, se le proporcionará una pieza nueva, pero no se le instalará sin costo. Usted será responsable del costo del trabajo que implica la instalación de la pieza después del primer año a partir de la fecha de venta. La cobertura de garantía completa aplica solamente por un año a partir de la fecha de venta si el electrodoméstico se usa con fines distintos del uso doméstico.

\*Los defectos debe ser verificadas por un representante de servicio autorizado de Sears.

#### Diez Años en el Compresor Lineal

El compresor lineal de este electrodoméstico tiene garantía por defectos en el material o mano de obra DURANTE DIEZ AÑOS a partir de la fecha de venta.\* Si aparecen defectos en el compresor dentro del primer año, se le proporcionará e instalará uno nuevo sin costo. Si aparece un defecto en el compresor después del primer año, se le proporcionará uno nuevo, pero no se le instalará sin costo. Usted será responsable del costo del trabajo que implica la instalación de la pieza después del primer año a partir de la fecha de venta. La cobertura de garantía completa aplica solamente por dos años a partir de la fecha de venta si el electrodoméstico se usa con fines distintos del uso doméstico.

\*Los defectos debe ser verificadas por un representante de servicio autorizado de Sears.

#### Garantía de por Vida en Cajones de Almacenamiento

DURANTE EL TIEMPO QUE SE USE desde la fecha de venta, se proporcionará el cambio sin costo por un cajón de almacenamiento o compartimiento defectuoso del refrigerador o congelador.\* Si aparece un defecto dentro del primer año, se le instalará sin costo un nuevo contenedor para la puerta. Si aparece un defecto después del primer año, se le proporcionará un nuevo contenedor, pero no se le instalará sin costo. Esta garantía de por vida solo cubre los contenedores y no aplica a ningún otro componente o mecanismo relacionado. Usted será responsable del costo del trabajo que implica la instalación del contenedor después del primer año a partir de la fecha de venta. La cobertura de garantía aplica solamente por 90 días a partir de la fecha de venta si este electrodoméstico se usa con fines distintos del uso doméstico. \*La cobertura de la garantía se aplica a los compartimentos de la puerta, los compartimentos del cajón y las cestas. Los defectos debe ser verificadas por un representante de servicio autorizado de Sears.

Para conocer los detalles de cobertura de la garantía y obtener reparación o cambio sin costo, visite el sitio web: [www.kenmore.com/warranty](http://www.kenmore.com/warranty)

#### Esta garantía SOLO cubre defectos en el material y la mano de obra y NO cubrirá lo siguiente:

1. Elementos prescindibles que pueden desgastarse por el uso normal y que incluyen, entre otros, filtros, correas, bolsas o focos con base de rosca.
2. Un técnico de servicio limpiará o le dará mantenimiento al electrodoméstico, o le indicará al usuario la forma correcta de instalarlo, operarlo o darle mantenimiento.
3. Llamadas de servicio para corregir la instalación del electrodoméstico no realizada por agentes de servicio autorizados de Sears o para reparar problemas con fusibles del hogar, interruptores, cableado doméstico y sistemas de suministro de agua o gas provocados por dicha instalación.
4. Daño o falla de este electrodoméstico causado por la instalación no realizada por agentes de servicio autorizado de Sears, que incluye el hecho de que la instalación no se haya realizado según los códigos eléctricos, de gas o de plomería.
5. Daño o falla de este electrodoméstico, que incluya cambio de color o corrosión de la superficie si no se opera o se le da mantenimiento de acuerdo con todas las instrucciones proporcionadas.
6. Daño o falla de este electrodoméstico, que incluya cambio de color o corrosión de la superficie provocados por un accidente, alteración, abuso, mal uso o el uso contrario al previsto.
7. Daño o falla de este electrodoméstico, que incluya cambio de color o corrosión de la superficie causado por el uso de detergentes, limpiadores, productos químicos o utensilios distintos de los recomendados en todas las instrucciones proporcionadas con el producto.
8. Daño o falla de las partes o sistemas provocado por modificaciones no autorizadas al electrodoméstico.
9. Servicio brindado a un electrodoméstico si faltan el modelo y la placa del número de serie, están alterados o no se puede determinar fácilmente si tienen el logotipo de certificación apropiado.

#### Aviso de garantías implícitas, limitación de recursos

El único y exclusivo recurso del cliente según esta garantía limitada será la reparación o el cambio del producto según se establece en el presente. Las garantías implícitas, que incluyen las garantías de comerciabilidad o aptitud para un fin en particular están limitadas a un año en el electrodoméstico, cinco años en el sistema refrigerante sellado, diez años en el compresor lineal, y el tiempo que se use en los contenedores de almacenamiento, o el periodo más corto permitido por ley. Los vendedores no pueden ser responsables de daños incidentales o consecuenciales. Algunos estados no permiten la exclusión o limitación de daños incidentales o consecuenciales, o las limitaciones sobre la duración de una garantía implícita, de modo que estas exclusiones o limitaciones pueden no aplicarle a usted.

Esta garantía aplica solamente cuando el electrodoméstico se utilice en los Estados Unidos.

Esta garantía le otorga derechos legales específicos y usted también puede tener otros derechos que varían de un estado a otro.

Sears Brands Management Corporation, Hoffman Estates, IL 60179

## REGISTRO DEL PRODUCTO

En el espacio siguiente, anote la fecha de la compra, el modelo y el número de serie del producto. Encontrará el modelo y el número de serie impreso en la placa de identificación situada en el revestimiento interior del compartimiento del refrigerador. Tenga esta información a mano siempre que se ponga en contacto con Sears en relación con su producto.

N.º de modelo \_\_\_\_\_

Fecha de compra \_\_\_\_\_

N.º de serie. \_\_\_\_\_

Guarde estas instrucciones y su ticket de compra para futuras consultas.

## INSTRUCCIONES IMPORTANTES SOBRE SEGURIDAD

### PRECAUCIONES BÁSICAS DE SEGURIDAD

Este manual contiene muchos mensajes de seguridad importantes. **Lea y cumpla** siempre todos los mensajes de seguridad.



Éste es el símbolo de alerta de seguridad. Le avisa de mensajes de seguridad que le informan de peligros de muerte o lesiones para usted o los demás, o que puedan dañar el producto.

Todos los mensajes de seguridad estarán precedidos del símbolo de alerta de seguridad y de las palabras de señal de peligro PELIGRO, ADVERTENCIA o PRECAUCIÓN. Estas palabras significan:

#### **PELIGRO**

Si no respeta las instrucciones, morirá o sufrirá lesiones graves.

#### **ADVERTENCIA**

Si no respeta las instrucciones, podría morir o sufrir lesiones graves.

#### **PRECAUCIÓN**

Indica una situación de peligro inminente que, si no se evita, podría provocar lesiones leves o moderadas, o daños en el producto.

Todos los mensajes de seguridad le indicarán el peligro, lo que debe hacer para reducir la probabilidad de lesiones y lo que puede ocurrirle si no se siguen las instrucciones.

## **ADVERTENCIA**

**Para reducir el riesgo de incendio, descarga eléctrica o lesiones personales al utilizar el producto, se deben respetar una serie de precauciones de seguridad básicas, entre las que se incluyen las siguientes:**

**Lea todas las instrucciones antes de utilizar este electrodoméstico.**

- NUNCA desenchufe el refrigerador tirando del cable de corriente. Agarre siempre el enchufe firmemente y tire del mismo para retirarlo de la toma de corriente.
- Si el cable de alimentación se encuentra dañado deberá ser sustituido por el fabricante, por un servicio técnico autorizado o personal cualificado para evitar riesgos innecesarios. No use un cable con grietas o abrasiones sobre su extensión o en los extremos del enchufe o conector.
- No modifique ni alargue la longitud del cable de corriente, ya que podría causar una descarga eléctrica o provocar un incendio.
- Cuando separe el refrigerador de la pared, tenga cuidado de no torcer o dañar el cable de alimentación.
- Si se conecta a un circuito protegido con fusibles, utilice un fusible de retardo.

- NO guarde ni utilice gasolina ni ningún otro gas o líquido inflamable cerca de este electrodoméstico o de cualquier otro.
- NO permita que los niños escalen, se monten o se cuelguen de las puertas o estantes del refrigerador. Podrían dañar el refrigerador o sufrir lesiones graves.
- Mantenga los dedos lejos de los puntos de riesgo de pinzamiento; las distancias de separación entre las puertas y los gabinetes son necesariamente pequeños. Tenga especial cuidado al cerrar las puertas cuando haya niños cerca.
- Desenchufe el refrigerador antes de limpiar o realizar cualquier reparación.
- Este artefacto no ha sido diseñado para ser utilizado por personas con capacidades físicas, sensoriales o mentales disminuidas (incluidos niños) o que no cuenten con la experiencia o los conocimientos necesarios para operarlo, salvo que una persona responsable de su seguridad les brinde la supervisión o la instrucción pertinente en cuanto al uso del artefacto.

**NOTA:** Se recomienda encarecidamente que cualquier reparación sea realizada por un técnico cualificado.

## **GUARDE ESTAS INSTRUCCIONES**

## ! ADVERTENCIA

- Antes de sustituir una bombilla fundida o rota, desenchufe el refrigerador o corte la corriente en el disyuntor o caja de fusibles con el fin de evitar el contacto con un cable con corriente. (Una bombilla fundida puede romperse en el momento de cambiarla, por lo que queda expuesto un cable con corriente).

**NOTA:** Algunos modelos disponen de iluminación interior mediante LED, por lo que el mantenimiento deberá ser realizado por un técnico cualificado.

**ADVERTENCIA:** Poner uno o ambos controles en posición de apagado (OFF) no corta la alimentación de circuito de iluminación.

- Cuando haya terminado, vuelva a conectar el refrigerador a la red eléctrica y restablezca los controles (Termostato, Control del refrigerador y/o Control del congelador, en función del modelo) al ajuste deseado.
- Este refrigerador se debe instalar correctamente de acuerdo con las **instrucciones importantes para el instalador** incluidas en la hoja adhesiva pegada al frontal del refrigerador.
- Cuando el refrigerador esté en funcionamiento, no toque las superficies frías del compartimiento del congelador con las manos húmedas o mojadas. La piel se podría adherir a las superficies extremadamente frías.

- NO toque el mecanismo de fabricación automática de hielo mientras esté el refrigerador enchufado.
- NO vuelva a congelar alimentos congelados que se hayan descongelado completamente. El Departamento de Agricultura de Estados Unidos, en el boletín n.º 69 de Casa y jardín, dice:

...Se pueden volver a congelar con seguridad alimentos congelados que se hayan descongelado si aún contienen cristales de hielo o si aún siguen fríos: por debajo de los 4 °C.

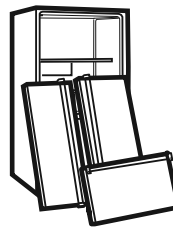
...La carne picada, la carne de ave o el pescado descongelados cuyo olor o color indiquen mal estado no deberían volver a congelarse ni deberían comerse. El helado descongelado se debe desechar. Si el olor o el color de cualquier alimento ha perdido frescura o es cuestionable, deséchelo. Comer este tipo de alimentos puede ser peligroso.

Incluso si se descongela parcialmente un alimento y se vuelve a congelar, su calidad alimenticia se ve reducida, particularmente si se trata de frutas, verduras y comida preparada. La calidad alimenticia de las carnes rojas se ve menos afectada que la de la mayoría de alimentos. Utilice los alimentos recongelados lo antes posible para salvaguardar el máximo de calidad.

## GUARDE ESTAS INSTRUCCIONES

## ! PELIGRO: RIESGO DE ATRAPAMIENTO DE NIÑOS

Los refrigeradores desechados o abandonados son peligrosos, incluso si sólo es por unos pocos días. Si va a deshacerse de su antiguo refrigerador, le recomendamos que siga las instrucciones que encontrará a la derecha para evitar posibles accidentes (atrapamiento de niños y asfixia).



### ANTES DE DESECHAR SU ANTIGUO REFRIGERADOR O CONGELADOR:

- Desmonte las puertas.
- Deje los estantes en su sitio para que los niños no puedan trepar con facilidad al interior.

## ELIMINACIÓN DE CFC

Es posible que su antiguo refrigerador tenga un sistema de refrigeración que use CFC (clorofluorocarbonos). Se cree que los CFC son perjudiciales para el ozono estratosférico.

Si va a desechar su antiguo refrigerador, asegúrese de que un técnico cualificado se encargue de retirar el refrigerante de CFC para su adecuada eliminación. Si de forma intencionada libera este refrigerante de CFC, podría estar sujeto a multas y penas de prisión según lo previsto en la legislación medioambiental.

## REQUISITOS ELÉCTRICOS Y DE CONEXIÓN A TIERRA

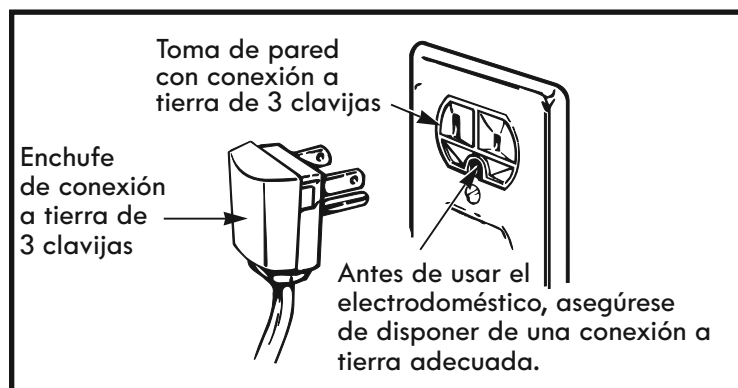
**IMPORTANTE:** Lea atentamente la siguiente información.

### PARA CONECTAR LA ELECTRICIDAD

#### **! ADVERTENCIA**

##### **Riesgo de descargas eléctricas**

**POR MOTIVOS DE SEGURIDAD PERSONAL**, este electrodoméstico debe estar conectado a tierra adecuadamente. Solicite a un electricista cualificado que compruebe la toma de corriente y el circuito eléctrico para asegurarse de que la toma de corriente está correctamente conectada a tierra.



### MÉTODO DE CONEXIÓN A TIERRA RECOMENDADO

El refrigerador debe estar siempre enchufado a su toma de corriente individual conectada a tierra adecuadamente con una tensión nominal de 115 voltios, 60 Hz, sólo CA, y protegida mediante fusible a 15 ó 20 amperios. Esta configuración proporciona el mejor rendimiento y, al mismo tiempo, evita la sobrecarga de la instalación eléctrica de la casa que podría provocar un peligro de incendio debido a un sobrecalentamiento de los cables. Se recomienda disponer de un circuito independiente para la exclusiva alimentación de este electrodoméstico.

Use un receptáculo que no se pueda apagar con un interruptor o una cadena de tracción. No utilice un alargador de corriente.

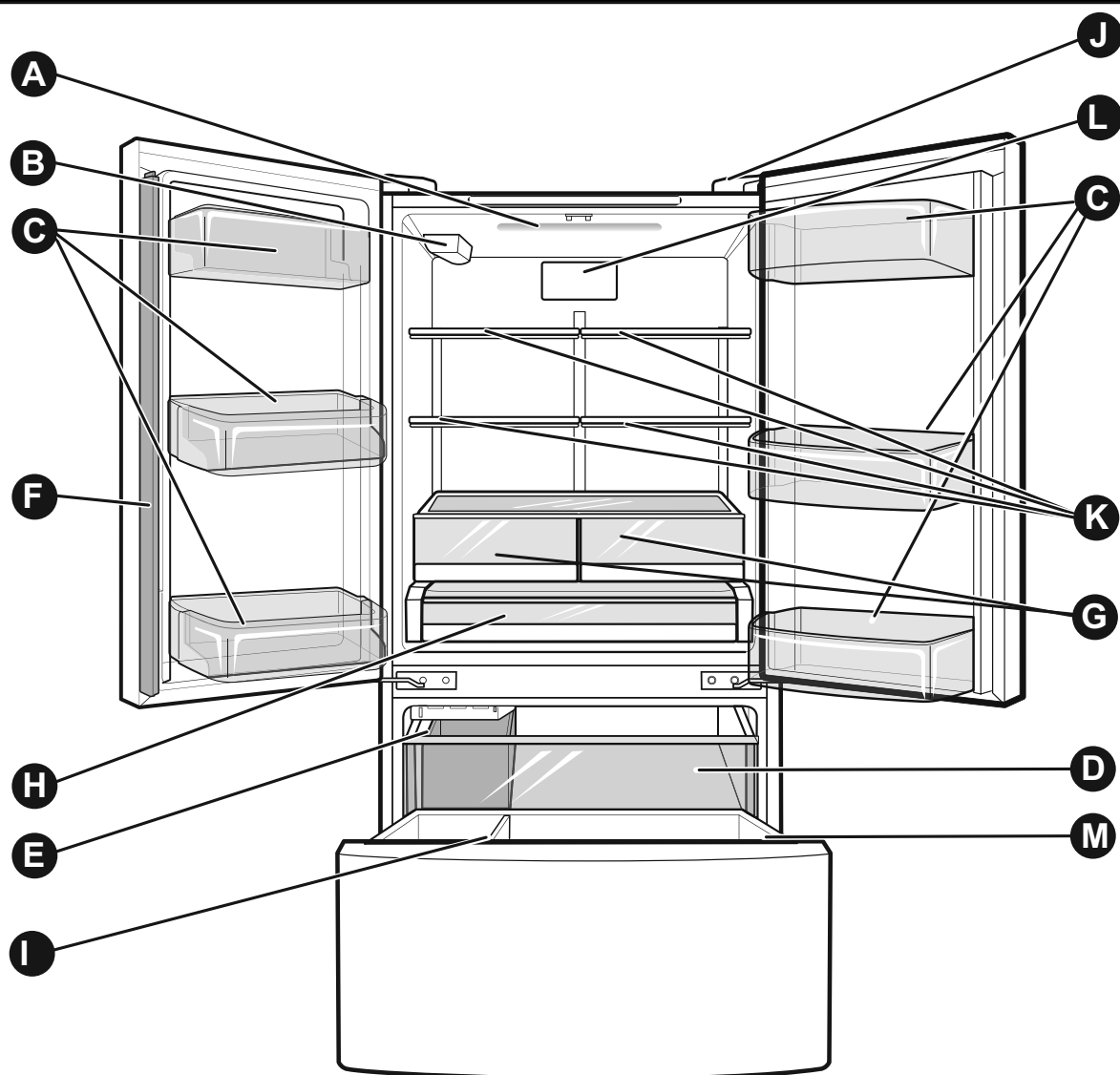
Si únicamente se dispone de una toma de corriente de 2 clavijas, será responsabilidad y obligación suya sustituirla por otra de 3 clavijas con una conexión a tierra adecuada.

### USO DE CABLES ALARGADORES

Debido a los posibles peligros de seguridad que se pueden producir bajo ciertas condiciones, no se recomienda el uso de un cable alargador. Sin embargo, si a pesar de ello elige usar un cable alargador, es absolutamente necesario que sea un cable alargador para electrodomésticos de 3 clavijas con conexión a tierra y clasificación UL (EE. UU.), que disponga de un enchufe y una toma de corriente con conexión a tierra, y que la clasificación eléctrica del cable sea de 15 amperios (mínimo) y 120 voltios.

El uso de un cable alargador aumentará la separación necesaria para la parte posterior del refrigerador.

## COMPONENTES Y CARACTERÍSTICAS



Use esta página para familiarizarse con los componentes y características del refrigerador. Para su comodidad, se incluyen referencias a las páginas.

**NOTA:** Esta guía cubre varios modelos distintos. El refrigerador que ha adquirido puede tener algunos o todos los componentes que se enumeran a continuación. Es posible que las ubicaciones de las características que se indican no coincidan con su modelo.

- |                         |                             |
|-------------------------|-----------------------------|
| Ⓐ Luz del refrigerador  | Ⓗ Cajón despensa            |
| Ⓑ Filtro de agua        | Ⓘ Divisor Durabase          |
| Ⓒ Charolas de la puerta | Ⓝ Altavoz de diagnósticos   |
| Ⓓ Cajón extraíble       | Ⓚ Estantes del refrigerador |
| Ⓔ Depósito de hielo     | Ⓛ Filtro de aire            |
| Ⓕ Parteluz articulado   | Ⓜ Durabase                  |
| Ⓖ Cajón                 |                             |

## INSTALACIÓN DEL REFRIGERADOR

### **ADVERTENCIA**

#### **Riesgo de peso excesivo:**

El desplazamiento e instalación del refrigerador deben realizarse entre dos o más personas. Si no se respeta esta advertencia, se podrán producir lesiones en la espalda o de otro tipo.

### **ADVERTENCIA**

#### **Riesgo de peso excesivo:**

Su refrigerador es muy pesado. Al desplazarlo para su limpieza o mantenimiento, asegúrese de proteger el suelo. Siempre debe tirar del refrigerador en línea recta cuando lo desplace. No menee ni zigzaguee el refrigerador al tratar de desplazarlo, ya que esto puede dañar el suelo.

## DESEMBALAJE DEL REFRIGERADOR

Antes de su uso, retire la cinta adhesiva y todas las etiquetas temporales del refrigerador. No retire las etiquetas que indican advertencias, la etiqueta de modelo y número de serie ni la Hoja técnica que está ubicada debajo del frontal del refrigerador, detrás de la rejilla de la base.

Para retirar los restos de pegamento o cinta adhesiva, frote enérgicamente el área con el pulgar. Los residuos de pegamento o cinta adhesiva también se pueden retirar fácilmente frotando con los dedos una pequeña cantidad de lavavajillas líquido sobre el adhesivo. Aclare con agua templada y seque el área.

No utilice instrumentos afilados, alcohol desinfectante, líquidos inflamables ni limpiadores abrasivos para retirar la cinta adhesiva o el pegamento. Estos productos pueden dañar la superficie del refrigerador.

Los estantes del refrigerador están instalados en la posición de transporte. Vuelva a colocar los estantes de acuerdo con sus necesidades personales de almacenamiento.

### **ADVERTENCIA**

#### **Riesgo de explosión:**

Mantenga los materiales o vapores inflamables, como la gasolina, lejos del refrigerador. Si no se respeta esta advertencia, existe peligro de explosión, incendio o muerte.

## INSTALACIÓN

El refrigerador debe estar siempre enchufado a su toma de corriente individual conectada a tierra adecuadamente con una tensión nominal de 115 voltios, 60 Hz, sólo CA, y protegida mediante fusible a 15 ó 20 amperios. Esta configuración proporciona el mejor rendimiento y, al mismo tiempo, evita la sobrecarga de la instalación eléctrica de la casa que podría provocar un peligro de incendio debido a un sobrecalentamiento de los cables. Se recomienda disponer de un circuito independiente para la exclusiva alimentación de este electrodoméstico.

Este aparato ha sido diseñado para aplicaciones domésticas y similares, como áreas de cocina para el personal en comercios, oficinas y otros entornos de trabajo; granjas y clientes en hoteles, moteles y otros entornos de tipo residencial; entornos de tipo "bed and breakfast"; catering y aplicaciones similares no minoristas.

### ⚠ ADVERTENCIA

#### Riesgo de descarga:

Para reducir el riesgo de descarga eléctrica, no instale el refrigerador en un área húmeda ni mojada.

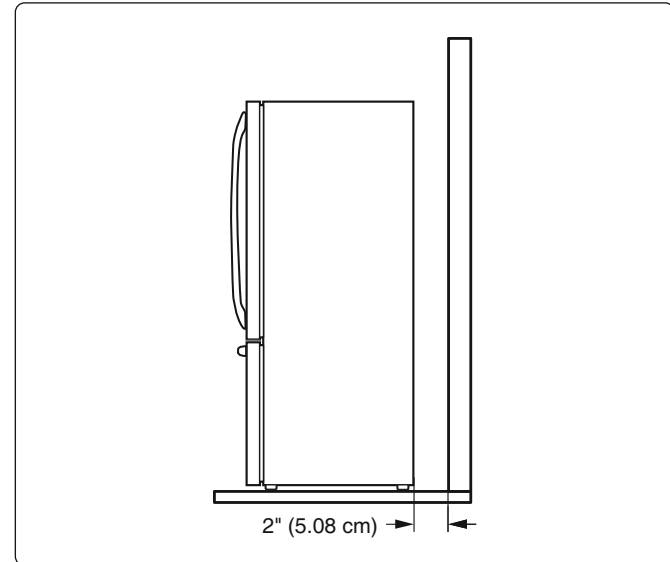
1. Para evitar el ruido y la vibración, es necesario nivelar la unidad e instalarla en un suelo sólidamente construido. Si es necesario, ajuste los pies de nivelación para compensar los desniveles del suelo. La parte delantera debe estar ligeramente más elevada que la posterior para ayudar al cierre de la puerta. Los pies de nivelación se pueden girar con facilidad inclinando ligeramente el aparato. Gire los pies de nivelación en sentido horario para elevar la unidad y en sentido antihorario para bajarla. (Consulte NIVELACIÓN Y ALINEACIÓN DE LAS PUERTAS).

NOTA: No se recomienda realizar la instalación sobre moqueta, superficies de baldosas flexibles, una plataforma o en una estructura con soporte inestable.

2. Instale este electrodoméstico en una zona donde la temperatura esté entre 13 °C (55 °F) y 43 °C (110 °F). Si la temperatura alrededor del electrodoméstico es demasiado baja o demasiado alta, la capacidad de refrigeración se verá gravemente afectada.
3. Seleccione un lugar en el que se pueda conectar fácilmente el suministro de agua para la máquina de hielo automática.

NOTA: La presión del agua debe ser 20-120 psi o 138-827 kPa o 1,4-8,4 kgf/cm<sup>2</sup>. If the refrigerator is installed in an area with low water pressure (below 20 psi), you can install a booster pump to compensate for the low pressure.

4. La distancia demasiado pequeña de superficies adyacentes puede minimizar la capacidad de congelación y aumentar los cargos de consumo eléctrico. Deje una distancia de 24 pulgadas (61 cm.) como mínimo al frente del refrigerador para poder abrir las puertas, y de al menos 2 pulgadas (5,08 cm.) entre la parte trasera del refrigerador y la pared.



## ANTES DE USAR

1. Limpie el refrigerador a fondo y quite todo el polvo acumulado durante el transporte.
2. Instale los accesorios como el depósito de cubito de hielo, los cajones, los estantes, etc., en su sitio. Están empaquetados juntos para evitar posibles daños durante el transporte.
3. Deje que el refrigerador esté en funcionamiento durante al menos dos o tres horas antes de almacenar comida dentro de él. Compruebe el flujo de aire frío en el compartimiento del congelador para asegurarse de que la refrigeración sea la adecuada. Su refrigerador ya está listo para su uso.

## INSTALACIÓN DEL REFRIGERADOR

**NOTA:** Siempre se recomienda desmontar las puertas cuando sea necesario desplazar el refrigerador a través de un espacio estrecho. Si es necesario desmontar las manijas, siga las instrucciones que se indican a continuación.

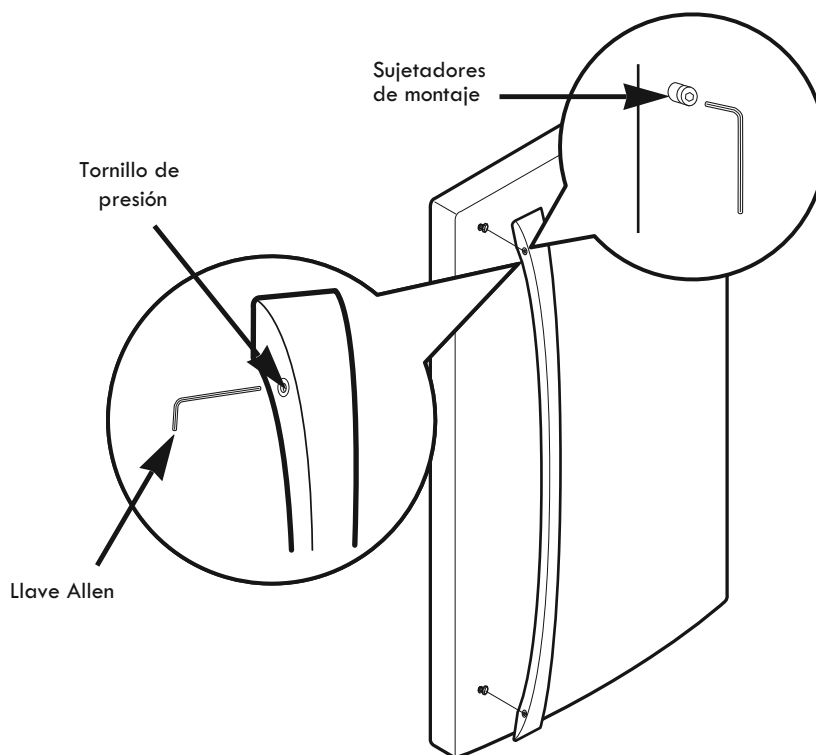
### CÓMO DESMONTAR Y SUSTITUIR LAS MANIJAS

**NOTA:** El aspecto de la manija puede ser distinto del que aparece en las ilustraciones de esta página.

#### Desmontaje de la manija del refrigerador

Afloje los tornillos de presión con una llave Allen de 2,5 mm ( $\frac{3}{32}$  pulg.) y retire la manija.

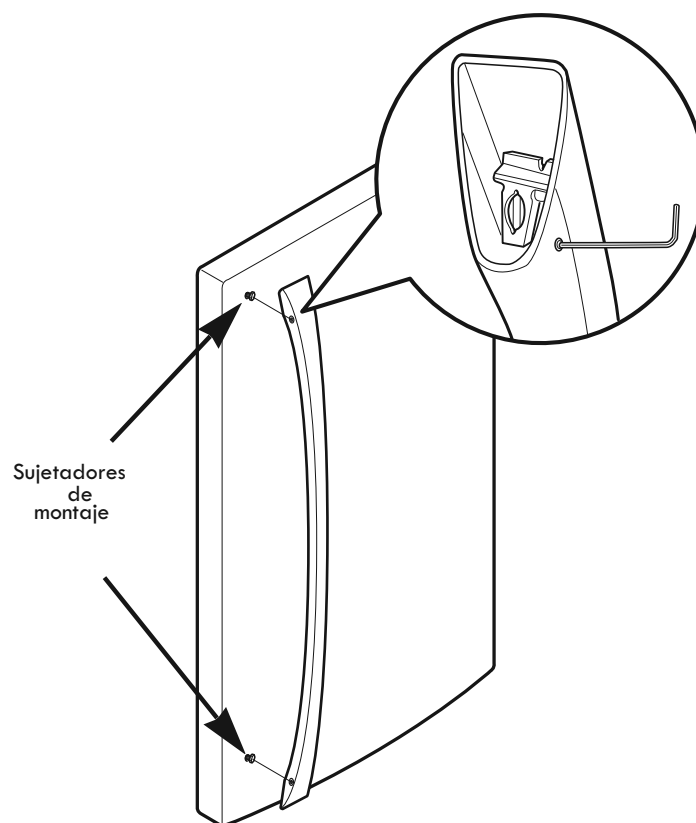
**NOTA:** Si es necesario apretar o retirar los sujetadores de montaje de la manija, use una llave Allen de 6,4 mm ( $\frac{1}{4}$  pulg.).



#### Sustitución de la manija del refrigerador

Coloque la manija en la puerta ajustando las zonas de contacto de la manija coincidan sobre los sujetadores de montaje y apretando los tornillos de presión con una llave Allen de 2,5 mm ( $\frac{3}{32}$  pulg.).

**NOTA:** Si es necesario apretar o retirar los sujetadores de montaje de la manija, use una llave Allen de 6,4 mm ( $\frac{1}{4}$  pulg.).



**NOTA:** Siempre se recomienda desmontar las puertas cuando sea necesario desplazar el refrigerador a través de un espacio estrecho. Si es necesario desmontar las manijas, siga las instrucciones que se indican a continuación.

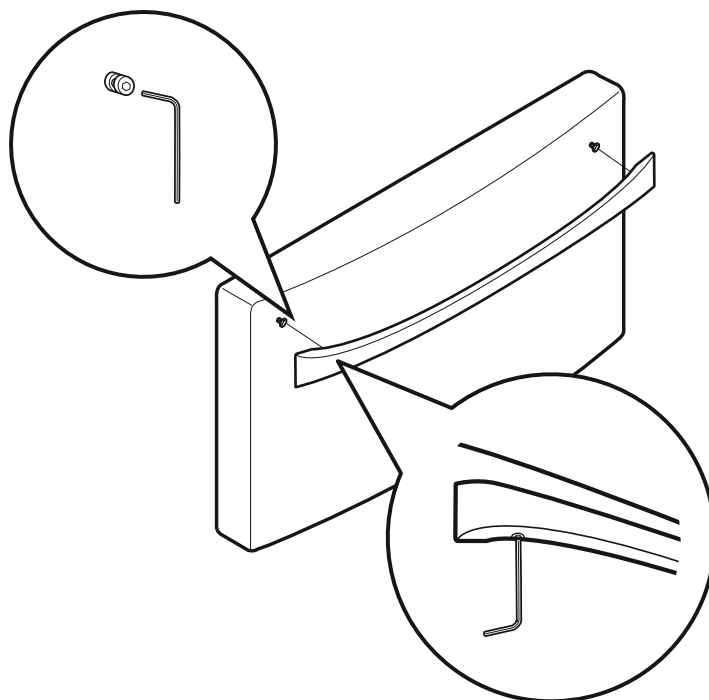
## CÓMO DESMONTAR Y SUSTITUIR LAS MANIJAS (CONTINUACIÓN)

**NOTA:** El aspecto de la manija puede ser distinto del que aparece en las ilustraciones de esta página.

### Desmontaje de la manija del cajón del congelador

Afloje los tornillos de presión ubicados en la parte inferior de la manija con una llave Allen de 3,1 mm (1/4 pulg.) y retire la manija.

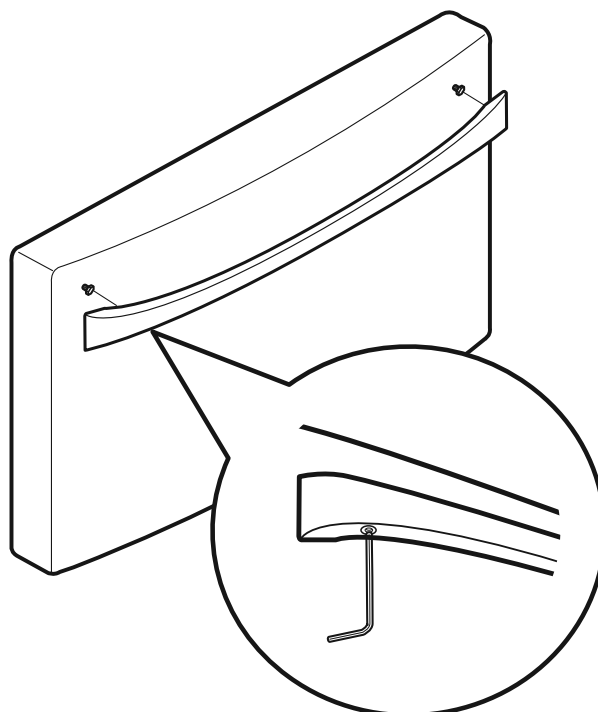
**NOTA:** Si es necesario apretar o retirar los sujetadores de montaje de la manija, use una llave Allen de 6,4 mm (1/4 pulg.).



### Sustitución de la manija del cajón del congelador

Coloque la manija en la puerta ajustando las zonas de contacto de la manija coincidan sobre los sujetadores de montaje y apretando los tornillos de presión con una llave Allen de 3,1 mm (1/4 pulg.).

**NOTA:** Si es necesario apretar o retirar los sujetadores de montaje de la manija, use una llave Allen de 6,4 mm (1/4 pulg.).



## ⚠ ADVERTENCIA

Para el montaje o desmontaje de los tiradores:

- Sujete el tirador con fuerza para evitar que se caiga o le cause lesiones.
- Evite que el tirador oscile cerca de personas o animales.
- Inserte el orificio de soporte del tirador en la tornillo de topoe de la puerta exactamente, y coloque los tornillos de sujeción para fijar el tirador en su posición.
- Compruebe que no haya ningún espacio entre la puerta y el tirador tras colocar éste en su posición.

### DESMONTAJE Y SUSTITUCIÓN DE LAS PUERTAS DEL REFRIGERADOR

#### ! ADVERTENCIA

##### Riesgo de peso excesivo:

El desplazamiento e instalación de las puertas del refrigerador deben realizarse entre dos o más personas. Si no se respeta esta advertencia, se podrán producir lesiones en la espalda o de otro tipo.

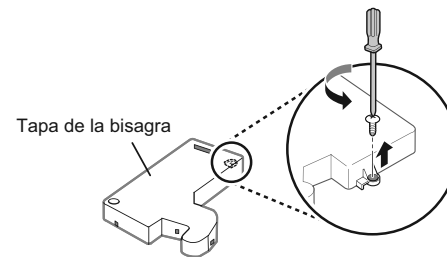
#### ! ADVERTENCIA

##### Riesgo de descargas eléctricas

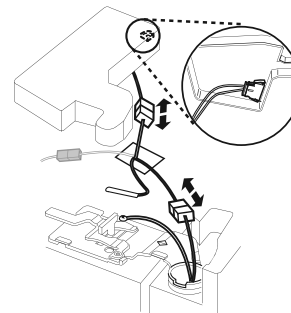
- Desenchufe el suministro eléctrico al refrigerador antes de realizar la instalación. Si no se respeta esta advertencia, pueden producirse lesiones graves e incluso la muerte.
- No ponga las manos, pies ni ningún otro objeto en las rejillas de ventilación de aire, la rejilla de la base o debajo del refrigerador. Podría sufrir lesiones o recibir una descarga eléctrica.

#### Removiendo la Puerta Izquierda del Refrigerador

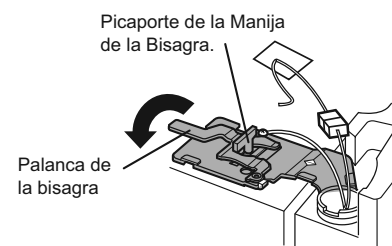
- 1 Abra la puerta. Remueva el tornillo de la cubierta de la bisagra superior y la cubierta de la bisagra.



- 2 Desconecte todos los arneses de cables.



- 3 Rote la palanca de la bisagra hacia la izquierda. Libere la bisagra superior del enganche de la palanca de la bisagra.

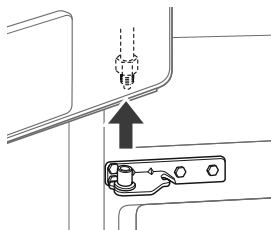


#### ! PRECAUCIÓN

- Al liberar la bisagra del picaporte, tenga cuidado de que la puerta no se caiga hacia adelante.

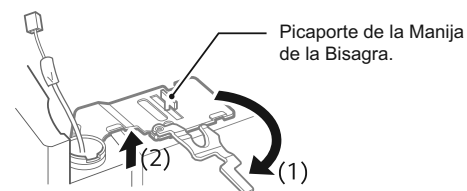
## INSTALACIÓN DEL REFRIGERADOR

- Levante la puerta del centro del perno de la bisagra y remuévala.



**NOTA:** Coloque la puerta, de adentro hacia afuera, en una superficie que no la raye

- Rote la manija de la bisagra hacia la izquierda (1). Levante la bisagra superior (2) libre del picaporte de la manija de la bisagra.

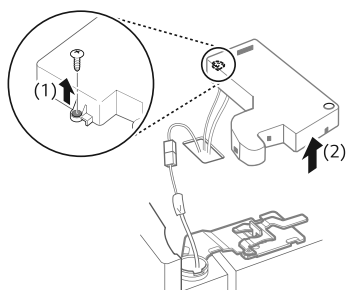


### **⚠ PRECAUCIÓN**

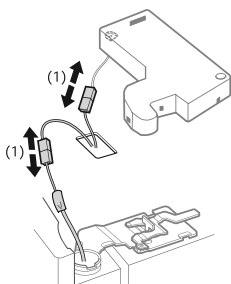
- Al liberar la bisagra del picaporte, tenga cuidado de que la puerta no se caiga hacia adelante.

### Removiendo la Puerta Derecha del Refrigerador

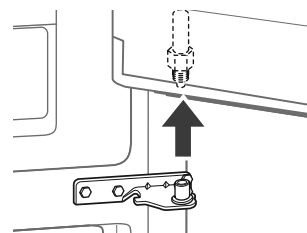
- Remueva el tornillo de la cubierta superior de la bisagra (1). Levante el gancho (no visible), ubicado en la parte inferior del lado delantero de la cubierta (2) con un destornillador plano.



- Remueva el arnés del cable (1).



- Levante la puerta del centro del perno de la bisagra y remuévala.



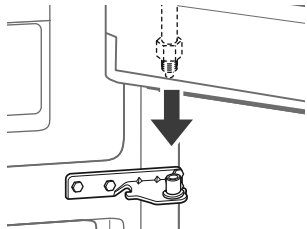
**NOTA:** Coloque la puerta, de adentro hacia afuera, en una superficie que no la raye.

## INSTALACIÓN DEL REFRIGERADOR

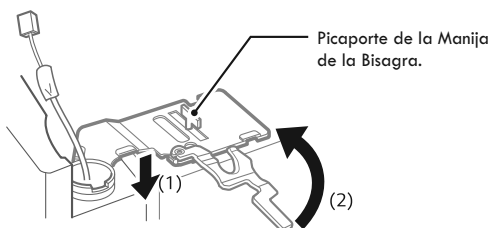
### Ensamblando la Puerta Derecha del Refrigerador

Instale la puerta del lado derecho primero.

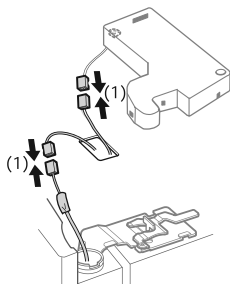
- 1 Asegúrese de que la funda de plástico esté insertada al fondo de la puerta. Baje la puerta al centro del perno de la bisagra como se muestra en la figura.



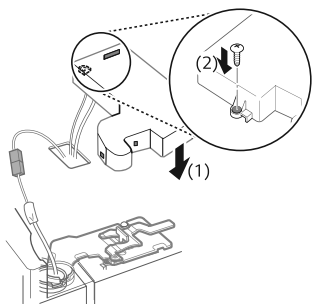
- 2 Ajuste la bisagra (1) sobre el picaporte de la manija de la bisagra y encájela en su lugar. Rote la manija (2) hacia la izquierda para asegurar la bisagra.



- 3 Conecte el arnés del cable (1).



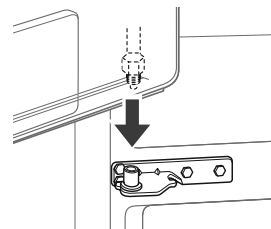
- 4 Coloque la cubierta (1) en su lugar. Inserte y asegure el tornillo de la cubierta (2).



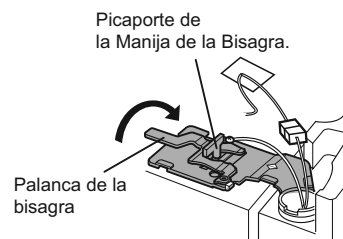
### Ensamblando la Puerta Izquierda del Refrigerador

Instale la puerta izquierda del refrigerador luego de haber instalado la puerta derecha.

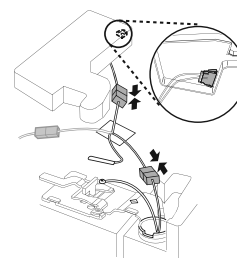
- 1 Asegúrese de que la funda de plástico esté insertada al fondo de la puerta. Instale la puerta del refrigerador en la bisagra del medio.



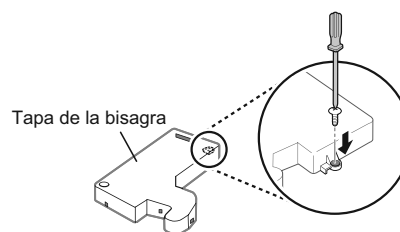
- 2 Rote la palanca de la bisagra hacia la derecha. Libere la bisagra superior del picaporte de la manija de la bisagra.



- 3 Conecte todos los arneses de cables.



- 4 Coloque la cubierta de la bisagra en su lugar. Introduzca y apriete el tornillo de la cubierta.



## CÓMO DESMONTAR LOS CAJONES DEL CONGELADOR

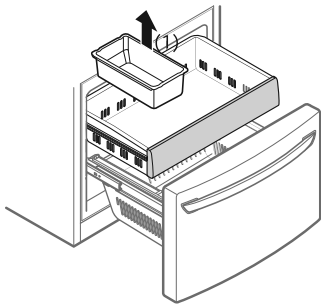
**⚠ ADVERTENCIA:** El desplazamiento e instalación del cajón del congelador deben realizarse entre dos o más personas. Si no se respeta esta advertencia, se podrán producir lesiones en la espalda o de otro tipo.

**NOTA:** En las figuras siguientes, no se muestra el cajón extraíble situado por encima del cajón del congelador para que la imagen sea más clara.

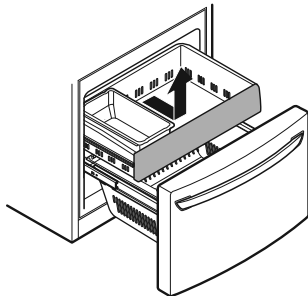
### Removiendo los Estantes del Congelador

Despliegue el estante para extenderlo completamente.

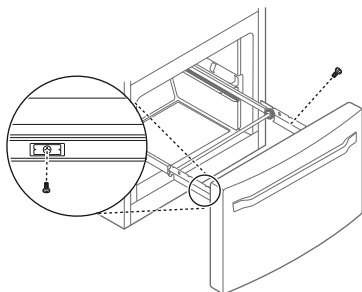
Levante y retire gentilmente el recipiente de hielo.



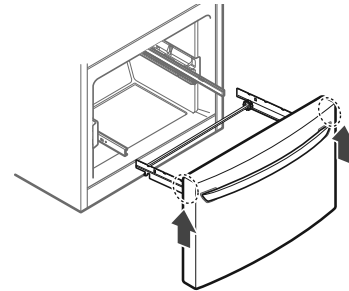
Levante la parte frontal del cajón hacia arriba y retírela.



Remueva los tornillos de los rieles en ambos extremos.

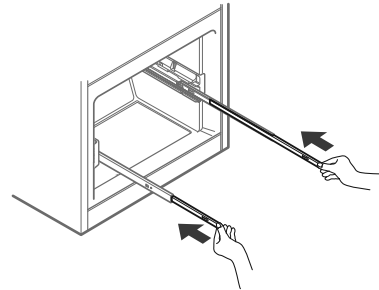


Agarre ambos lados del estante y levántelo para removerlo de los rieles.



**⚠ PRECAUCIÓN:** Cuando haya retirado el cajón de congelador, no lo sujete del tirador. Podría soltarse el tirador y causarle lesiones.

Sujete ambos rieles y empújelos dentro simultáneamente.



## INSTALACIÓN DEL REFRIGERADOR

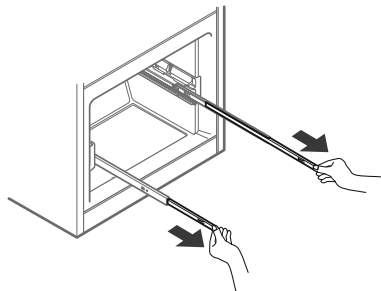
### CÓMO INSTALAR LOS CAJONES DEL CONGELADOR

**⚠ ADVERTENCIA:** El desplazamiento e instalación del cajón del congelador deben realizarse entre dos o más personas. Si no se respeta esta advertencia, se podrán producir lesiones en la espalda o de otro tipo.

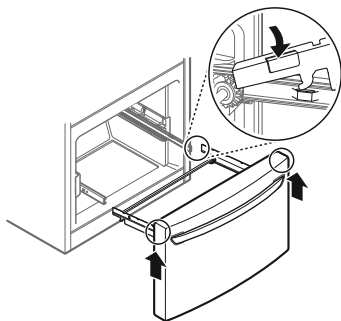
**NOTA:** En las figuras siguientes, no se muestra el cajón extraíble situado por encima del cajón del congelador para que la imagen sea más clara.

#### Ensamblando el Estante del Congelador.

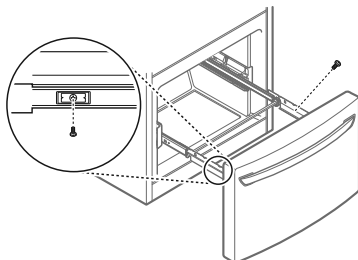
Retire ambos rieles simultáneamente hasta que estos se hayan extendido completamente.



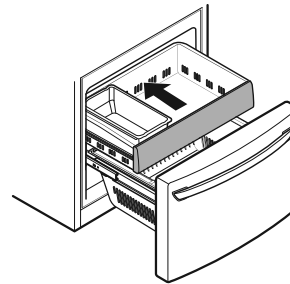
Agarre el estante a cada lado y enganche los soportes del mismo a las pestañas ubicadas a ambos lados de los rieles.



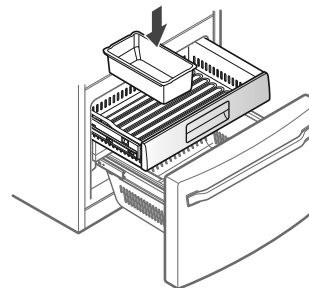
Baje la puerta a su posición final y asegure los tornillos localizados en ambos lados.



Empuje el cajón hacia atrás hasta que haga click en su lugar.



Vuelva a colocar el recipiente de hielo en el estante. Introduzca la canasta Durabase en el montaje del riel.



#### ⚠ ADVERTENCIA

- Si se retira el divisor Durabase, habrá suficiente espacio abierto para que un niño o una mascota puedan gatear hasta el interior. Para evitar el atrapamiento accidental de un niño o una mascota, y el posible riesgo de asfixia, NO permita que niños y mascotas toquen ni se acerquen al cajón del congelador.
- NO pise ni se siente en el cajón del congelador.

## NIVELACIÓN Y ALINEACIÓN DE LAS PUERTAS

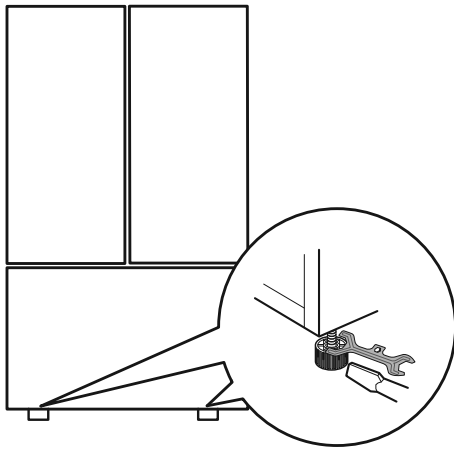
### Nivelación

Tras la instalación, enchufe el cable de alimentación del refrigerador en una toma de corriente de 3 clavijas con conexión a tierra y empuje el refrigerador hasta su posición definitiva.

Su refrigerador tiene dos pies de nivelación delanteros: uno a la derecha y otro a la izquierda. Ajuste los pies para modificar la inclinación de delante hacia atrás o de lado a lado. Si el refrigerador parece inestable o si desea que las puertas se cierren más fácilmente, ajuste la inclinación del refrigerador mediante las siguientes instrucciones:

**NOTA:** Herramientas necesarias: Llave de 18 mm ( $1\frac{1}{16}$ "") o un destornillador plano.

1. Gire los pies de nivelación en sentido antihorario para levantar esa parte del refrigerador o en sentido horario para bajarla. Puede que sean necesarios varios giros del pie de nivelación para ajustar la inclinación del refrigerador.



**NOTA:** Si una persona empuja hacia atrás la parte superior del refrigerador, descargará parte del peso de los pies de nivelación. Esta operación facilitará el ajuste de los pies.

2. Vuelva a abrir ambas puertas y compruebe que se cierran con facilidad. Si no es así, incline el refrigerador ligeramente hacia atrás girando ambos pies de nivelación en sentido antihorario. Puede que sean necesarios varios giros y debería girar ambos pies de nivelación el mismo número de giros.

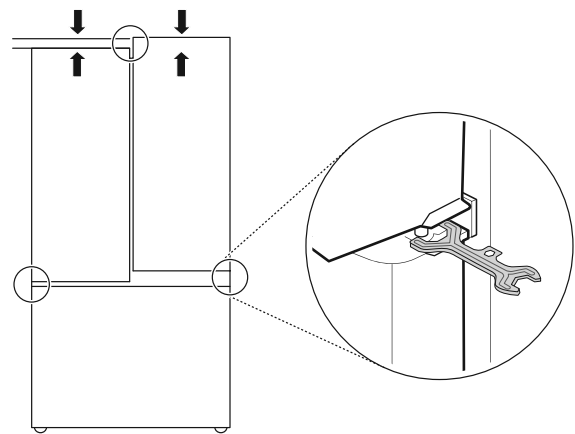
**NOTA:** Su refrigerador tiene un diseño exclusivo con dos puertas para alimentos frescos. Cada una de las puertas se puede abrir o cerrar de forma independiente de la otra. Puede que deba ejercer una ligera presión en las puertas para cerrarlas completamente.

### Alineación de las puertas

Tanto la puerta izquierda como la derecha del refrigerador tienen una tuerca ajustable en la bisagra inferior para levantarlas o bajarlas a manera de alinearlas apropiadamente.

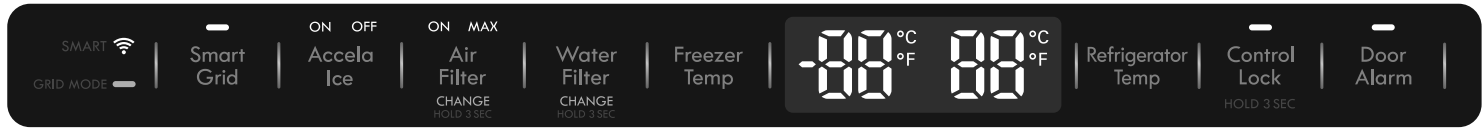
Si el espacio entre las puertas es desigual, siga las instrucciones a continuación para alinear las puertas de manera pareja.

Use la llave (Incluida con el manual del usuario) para girar la tuerca en la bisagra de la puerta y así ajustar su altura. Gire la tuerca hacia la derecha para levantar la puerta o hacia la izquierda para bajarla.



# USO DEL REFRIGERADOR

## AJUSTE DE LOS CONTROLES



### Temperatura

- El control del frigorífico está preestablecido en 37° F (3° C) y el del congelador en 0° F (-18° C). Estos son los ajustes de temperatura recomendados para un uso y condiciones normales. Espere 24 horas para que el frigorífico y el congelador alcancen éstas temperaturas.
- **El rango del control de temperatura del refrigerador de 1 °C a 8 °C (33°F a 46°F).** Cuanto menor sea el número ajustado, más frío estará el compartimento del frigorífico.
- **El rango del control de temperatura del congelador es de -21 °C a -13 °C (-6 °F a 8 °F).** Cuanto menor sea el número de ajuste, la más fría del congelador se convertirá.

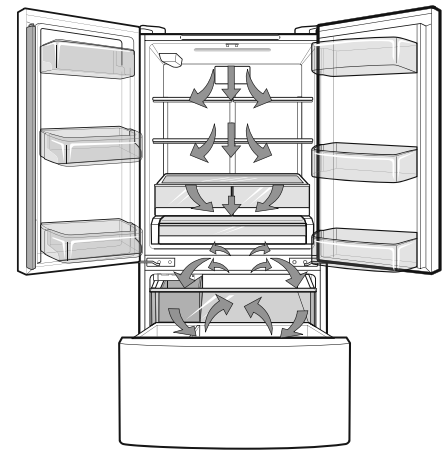
**NOTA:** Cada vez que cambie los ajustes de los controles, debe esperar 24 horas antes de realizar ajustes adicionales. Los controles están correctamente ajustados cuando la leche o el zumo están a la temperatura fría de su gusto y el helado está firme. Si la temperatura es demasiado fría o demasiado caliente en alguno de los compartimentos, cambie el ajuste en incrementos de un grado cada vez. Espere 24 horas a que se establezca la temperatura antes de volver a ajustarla.

### Accela Ice


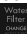
- Cuando usted toca el botón del hielo de Accela, el indicador se encenderá pararrriba en la exhibición y quedará orientado por 24 horas.
- O puede cesar manual mente la función presionando el botón una vez más.
- Esta función incrementa las capacidades de congelación y elaboración de hielo

### Flujo de aire

Asegúrese de no bloquear respiraderos mientras coloca alimentos en el refrigerador. De lo contrario, restringirá el flujo de aire y puede que la temperatura del refrigerador suba demasiado o que se acumule humedad en su interior. (Consulte el siguiente diagrama de flujo de aire).



### Restablecimiento del filtro de agua

Cuando se enciende el ícono  indica que es necesario cambiar el filtro de agua. Una vez cambiado el filtro de agua, mantenga pulsado el botón  durante tres segundos para apagar la luz del indicador. El filtro de agua se debe cambiar aproximadamente cada seis meses.

**Filtro de aire**



El filtro de aire ayuda a eliminar olores del refrigerador. El filtro de aire tiene dos configuraciones: Auto y MAX. En el modo Auto, el Filtro de Aire llevará a cabo ciclos de encendido y apagado en incrementos de diez minutos para encendido y de 60 minutos para apagado. Si se configura en el modo MAX, el filtro de aire permanecerá encendido de forma continua durante cuatro horas, apagándose y encendiéndose en un ciclo de diez minutos para el encendido y cinco minutos para el apagado. Después de cuatro horas, el filtro de aire pasará al modo Auto.

- El modo Auto es el modo predeterminado.(Max LED off)
- Presione el botón del filtro de aire una vez para entrar en modo Max.(Max LED on)

**Air Filter Reset**



Cuando se enciende el ícono **CHANGE** esto significa que el filtro de aire debe ser reemplazado. Luego de reemplazar el filtro de aire, mantenga pulsado el botón durante tres segundos para apagar la luz del ícono. Cambie el filtro de aire cada 6 meses aproximadamente.

**Bloqueo de los controles**



- Cuando se conecta inicialmente el refrigerador a la corriente, la función de bloqueo Lock está desactivada.
- Si desea activar la función Lock para bloquear los demás botones, mantenga pulsado el botón Control Lock durante tres segundos como mínimo. Iluminar y la función de bloqueo está activado.
- Cuando se activa la función Lock , no funciona ningún otro botón.
- Para desactivar la función Lock , mantenga presionado el botón Control Lock durante aproximadamente tres segundos.

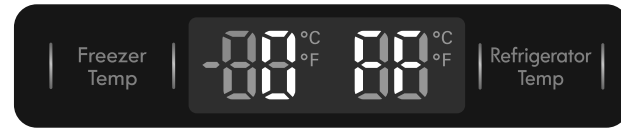
**Alarma de la puerta**



- Cuando se conecta el refrigerador a la corriente, la alarma de la puerta está inicialmente activada. Si pulsa el botón Door Alarm , la pantalla cambiará a OFF y la función de alarma de la puerta se desactivará.
- Si la puerta del refrigerador o del congelador se deja abierta durante más de 60 segundos, sonará el tono de la alarma para avisarle de que la puerta está abierta.
- Cuando se cierre la puerta, la alarma de la puerta dejará de sonar.

**Modo demostración (sólo para uso en tienda)**

El modo demostración desactiva toda la refrigeración en las secciones refrigerador y congelador para ahorrar energía mientras está en exposición en una tienda. Cuando se activa, en el panel de control aparece la palabra OFF.



**Para desactivar el modo de demostración:**

Con cualquiera de las puertas del refrigerador abiertas, mantenga presionado los botones de Refrigerator Temp y Accela Ice al mismo tiempo por cinco segundos. El panel de control emitirá un pitido y la configuración de temperatura se mostrará para confirmar el modo está desactivado. Use el mismo procedimiento para activar el modo de demostración.

**Función para cambiar el modo de temperatura (°F <->°C)**

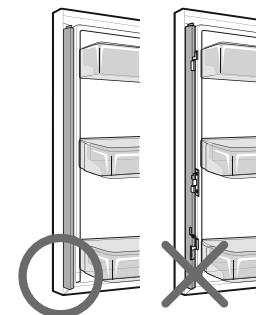
Si desea convertir °F a °C o viceversa, mantenga presionados los botones Freezer Temp y Refrigerator Temp al mismo tiempo durante aproximadamente cinco segundos.

**Parteluz articulado**

Esta característica es una tira de metal situada en la puerta izquierda que se articula (gira) 90 grados al cerrarse la puerta y forma un parteluz (base) para que se sellen las juntas de las puertas izquierda y derecha.

**⚠PRECAUCIÓN**

Para reducir el riesgo de rayar la puerta o romper el parteluz, asegúrese de que el parteluz de la puerta del refrigerador esté siempre plegado.



### FUNCIONES INTELIGENTES

#### DESCRIPCIÓN GENERAL

La conectividad Kenmore Smart transforma su relación con su hogar. Puede personalizar la manera en que los productos Kenmore Smart operan basándose en su horario y rutina diaria, haciendo la vida más fácil y proporcionando una mayor tranquilidad.

Este es un electrodoméstico de conexión-lista, permitiéndole monitorearlo y controlarlo remotamente desde su teléfono inteligente mediante la aplicación the Kenmore Smart™.

Para iniciar necesitará lo siguiente:


- Electrodoméstico Kenmore Smart
- Enrutador (Router) Wi-Fi de casa conectado a internet.
- Teléfono inteligente
- Aplicación Kenmore Smart™

Para más información acerca de su electrodoméstico Kenmore Smart, por favor visite [www.Kenmore.com/smart](http://www.Kenmore.com/smart).

La función Smart Grid controla el uso de energía, lo que le ayudará a ahorrar energía durante períodos de uso pico. Puede suspender la función SMART GRID en cualquier momento (usando la aplicación o el botón Smart Grid).

Smart Grid responde a las notificaciones de su compañía de electricidad para ejecutar tareas de alto consumo de energía solamente fuera de los horarios picos de uso, cuando la demanda de electricidad es menor. Estas notificaciones se conocen como señales de respuesta a la demanda. Si el refrigerador recibe una señal de respuesta a la demanda de la compañía de electricidad, este encenderá el LED del MODO GRID en el panel de control y regulará el consumo de energía conforme a la señal recibida. El refrigerador responderá a las señales recibidas de la compañía de electricidad siempre que el aparato esté conectado a Internet y la función Smart Grid esté activada.


#### DEFINICIONES

LED inteligente (Blanco): 

Notifica al usuario que el electrodoméstico está conectado al internet.

LED Smart Grid (Blanco): 

Notifica al usuario que el aparato es capaz de recibir una señal, conocida como evento de respuesta a la demanda, de un sistema de administración de energía de la compañía de electricidad.

LED Modo Grid (rojo): 

Notifica al usuario que el aparato está reduciendo o demorando el consumo de energía debido a la señal que recibió del sistema de administración de energía de la compañía de electricidad. El LED permanece iluminado durante períodos críticos de precios y precios en tiempo real o durante un período de alta demanda de electricidad.

#### LLEVANDO A CABO LA CONEXIÓN

Necesita los siguientes dispositivos y la siguiente aplicación para utilizar el Smart Grid (Red Inteligente) y otras funciones inteligentes en su refrigerador.

Dispositivos Requeridos: Router Inalámbrico, Refrigerador Kenmore Smart, y un dispositivo móvil.

Aplicación Requerida: Kenmore Smart App.

#### CONEXIÓN DEL REFRIGERADOR

Consulte la Guía de Inicio Rápido incluida con su aparato inteligente para obtener instrucciones detalladas acerca de la creación de una cuenta Kenmore y de la configuración del aparato para la operación desde su dispositivo móvil. Para asistencia adicional, visite <http://www.kenmore.com/smart>

**NOTA :** Cuando se haya conectado con éxito a Internet, se encenderá el LED del ícono SMART del panel de control.

## INSTRUCCIONES DE SMART GRID

### IMPORTANTE:

Debe conectar su electrodoméstico Kenmore Smart al internet y luego registrarlo en su cuenta a manera de usar la función Smart Grid.

Consulte la Guía de inicio rápido suministrada con el dispositivo para obtener instrucciones sobre cómo registrar su aparato utilizando la aplicación de Kenmore Smart™ (app).

El botón Smart Grid sirve para dos fines:

1) conectar o desconectar de Internet, 2) activar o desactivar/suspender la capacidad de respuesta a la demanda del aparato.

NOTA: Este es un electrodoméstico de conexión-lista, permitiéndole monitorearlo y controlarlo remotamente desde su teléfono inteligente mediante la aplicación Kenmore Smart™.

Para conectar el refrigerador a Internet:

Haga referencia a la Guía de Inicio Rápido que vino con su electrodoméstico inteligente para instrucciones detalladas sobre la creación de una cuenta Kenmore y el ajuste de su electrodoméstico para operaciones conectadas desde su teléfono inteligente.

Esta Guía de Uso y Cuidado contiene información e instrucciones para operar su electrodoméstico desde el panel de control del mismo. Para asistencia adicional, visite <http://www.kenmore.com/smart>

NOTA: Si ninguna conexión es llevada a cabo después de cinco minutos el botón SMART GRID parpadeante se apagará.

### Funcionamiento de Smart Grid:

Una vez conectado y registrado, el aparato es capaz de aceptar una señal de su compañía de electricidad. La señal, conocida como “respuesta a la demanda”, ajustará el funcionamiento del refrigerador para reducir el consumo de energía durante un período que puede ir desde unos pocos minutos hasta un máximo de 4 horas. La fábrica de hielo también se suspenderá durante este tiempo. Al abrirse la puerta del refrigerador se pueden cancelar ciertas señales de respuesta a la demanda.

El LED del modo Grid (rojo) quedará iluminado de forma fija cuando se esté recibiendo esta señal. Para desactivar la señal y evitar que esta se siga aceptando en el futuro, presione y suelte el botón Smart Grid. Tanto el modo Grid como el LED de Smart Grid se apagarán. Presione y suelte el botón Smart Grid de nuevo para activar la aceptación de la señal de respuesta a la demanda. El LED del botón Smart Grid se volverá a iluminar. El LED del modo Grid se iluminará cuando se envíe otra señal de respuesta a la demanda.

**Aviso de la FCC**

(para el módulo transmisor contenido en este producto)

Este equipo fue probado y se determinó que cumple con los límites para los dispositivos digitales de Clase B, en conformidad con la parte 15 de las normas de la FCC. Estos límites están diseñados para ofrecer una protección razonable contra interferencias dañinas en una instalación residencial. Este equipo genera, usa y puede emitir energía de radiofrecuencia y, si no se instala y utiliza de acuerdo con las instrucciones, podría causar interferencias dañinas a las comunicaciones por radio. Sin embargo, no se garantiza que dicha interferencia no pueda ocurrir en instalaciones particulares. Si este equipo causa interferencia dañina a la recepción de radio o televisión, que se puede determinar encendiendo y apagando el equipo, se aconseja al usuario intentar corregir la interferencia realizando alguna de las siguientes acciones:

- Reoriente o reubique la antena receptora.
- Aumente la separación entre el equipo y el receptor.
- Conecte el equipo a una toma de corriente en un circuito diferente del utilizado por el receptor.
- Solicite ayuda a su vendedor o a un técnico especialista en radio o TV.

Este dispositivo cumple con la parte 15 de las normas de la FCC. La operación está sujeta a las dos siguientes condiciones:

- 1) este dispositivo no debe causar interferencia dañina, y
- 2) este dispositivo debe aceptar cualquier interferencia recibida, incluso aquellas que pudieran causar un funcionamiento no deseado del dispositivo.

Cualquier cambio o modificación en la construcción de este dispositivo que no cuente con la aprobación expresa de la parte responsable del cumplimiento puede anular la autorización del usuario para operar este equipo.

**Aviso de Software de Fuente Abierta**

Para obtener el código fuente contenido en este producto bajo LGPL y otras licencias de fuente abierta, visite <http://kenmore.com/opensource>. Adicional al código fuente, todos los términos referidos de licencia, exenciones de garantía, y avisos de derechos de autor están disponibles para descarga.

**Declaración sobre exposición a la radiación de RF de la FCC**

Este equipo cumple con los límites de exposición a la radiación de la FCC establecidos para entornos no controlados. Este transmisor no se debe ubicar ni opera junto con ninguna otra antena ni transmisor.

El equipo se debe instalar y operar con una distancia mínima de 20 cm (7.8 pulg.) entre la antena y su cuerpo. Los usuarios deben seguir las instrucciones de operación específicas de manera tal de cumplir con las normas de exposición a la RF.

**NOTA:** EL FABRICANTE NO SE HACE RESPONSABLE DE CUALQUIER INTERFERENCIA DE TV O RADIO CAUSADA POR MODIFICACIONES NO AUTORIZADAS A ESTE EQUIPO. TALES MODIFICACIONES PODRÍAN ANULAR LA AUTORIDAD DEL USUARIO PARA PONER EL EQUIPO EN FUNCIONAMIENTO.

<b>Especificaciones módulo LAN inalámbrico</b>	
Model	2AHU4-KMTD17
Rango de Frecuencia	2412 à 2462 MHz
Potencia de Salida (Máx)	IEEE 802.11b: 18.26 dBm IEEE 802.11g: 20.10 dBm IEEE 802.11n: 20.07 dBm

**DEPÓSITO DE HIELO DEL INTERIOR DE LA PUERTA**

**⚠ PRECAUCIÓN**

Mantenga manos y herramientas fuera del compartimiento de hielo de la puerta y del conducto del dispensador. Si no se respeta esta advertencia, podrían producirse daños o lesiones personales.

La máquina de hielo dejará de fabricar hielo cuando el depósito de hielo del interior de la puerta esté lleno. Si necesita más hielo, vacíe el depósito de hielo en el depósito de hielo adicional ubicado en el compartimiento del congelador. Durante el uso, el hielo puede caer de forma irregular lo que puede provocar una lectura errónea del nivel de cubitos de hielo y detener la elaboración de cubitos. Agitar el depósito de hielo para nivelar los cubitos que contiene puede reducir este problema.

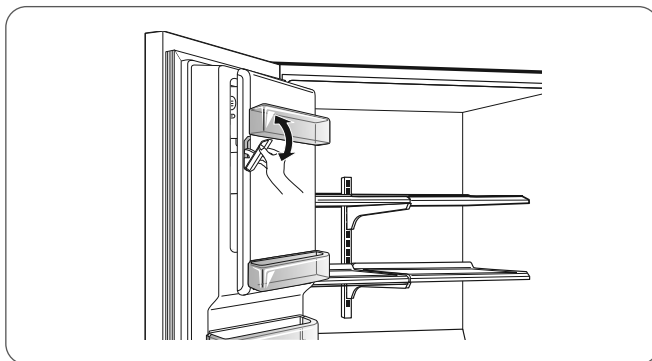
**NOTA:** Almacenar latas u otros elementos en el depósito de hielo podría dañar la máquina de hielo.

Mantenga la puerta del compartimiento de hielo herméticamente cerrada. Si no se cierra herméticamente, el aire frío del depósito de hielo congelará los alimentos del compartimiento del refrigerador. Esto también podría provocar que la máquina deje de fabricar hielo.

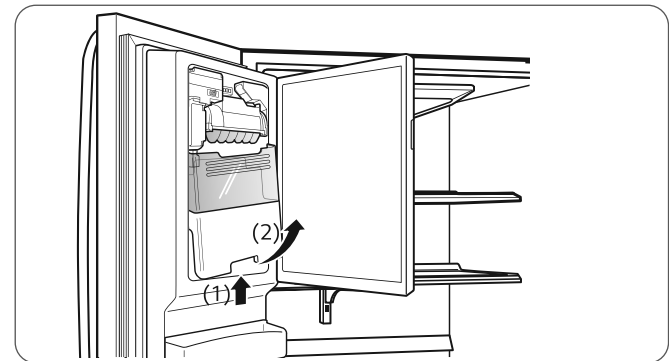
**NOTA:** Se recomienda vaciar el recipiente para el hielo si el botón ON/OFF de la máquina de hielo del panel de control ha permanecido en la posición OFF durante un periodo prolongado de tiempo.



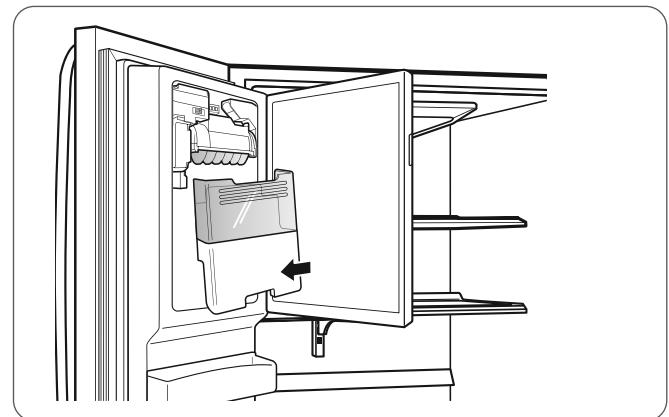
1. Tire o empuje de la manija de la puerta para abrir o cerrar el compartimiento de hielo.



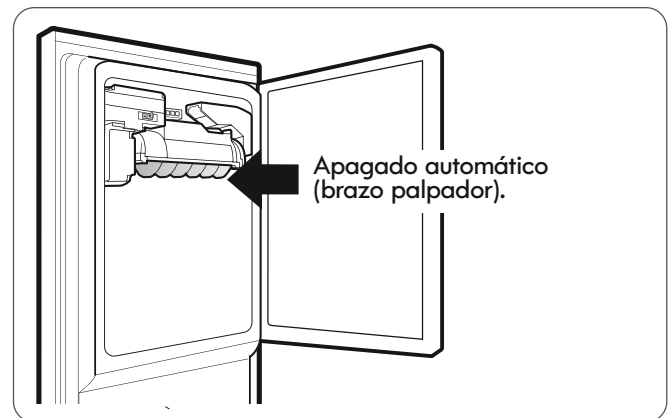
2. Para sacar el depósito de hielo del interior de la puerta, agarre la manija delantera, levante ligeramente la parte inferior y desplace el depósito tal como se muestra.



3. Para volver a instalar el depósito de hielo del interior de la puerta, incline ligeramente el depósito al volver a colocarlo en su sitio para evitar el contacto con la máquina de hielo.



4. Evite tocar el apagado automático (brazo palpador) al colocar el recipiente del hielo. Consulte la etiqueta que hay en la puerta del compartimiento de hielo para obtener información más detallada.



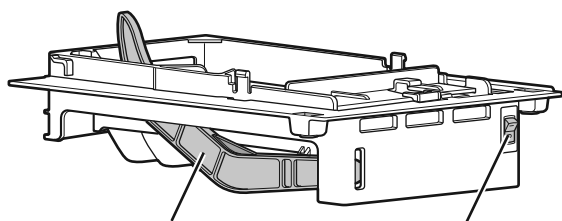
### **! ADVERTENCIA**

#### **Riesgo de lesiones personales**

NO introduzca los dedos o las manos en el mecanismo de fabricación automática de hielo con el refrigerador enchufado.

### **INSTRUCCIONES DE OPERACIÓN**

Un refrigerador nuevamente instalado se puede tomar de 12 a 24 horas para comenzar a hacer hielo



Brazo Sensor

Interruptor

**NOTA:** La presión del agua debe situarse entre 20 y 120 psi en modelos sin filtro de agua y entre 40 y 120 psi en los modelos con filtro de agua para producir la cantidad y tamaño de cubitos normales.

El hielo se hace en la cubitera automática y se envía al dispensador. La máquina de hielo producirá 12 cubitos por ciclo; aproximadamente 100 en un periodo de 24 horas, dependiendo de la temperatura del compartimento del congelador, la temperatura de la habitación, el número de aperturas de la puerta y otras condiciones de funcionamiento.

Si el refrigerador es usado antes de que la conexión del agua sea efectuada con el fabricante de hielo, ajuste el conmutador de energía a Off (O).

Cuando el refrigerador haya sido conectado al suministro de agua, ajuste el conmutador de energía a On (I).

La fábrica de hielo se llenará con agua cuando se enfríe a una temperatura de congelación. Un refrigerador recién instalado puede requerir de 12 a 24 horas para comenzar a hacer cubos de hielo.

Desechar los primeros lotes de hielo para limpiar la línea de agua.

Asegúrese de que nada interfiera con el barrido del brazo del sensor.

Cuando el compartimento se llene a nivel del brazo del sensor, la máquina fábrica de hielo dejará de producir hielo.

Es normal que varios cubos de hielo se atoren.

Si el hielo no se usa frecuentemente, los cubos de hielo viejo se volverán nubosos, de mal sabor y más pequeños.

### **CUANDO DEBERÍA AJUSTAR EL CONMUTADOR DE ENCENDIDO DE LA FÁBRICA DE HIELO A OFF (O)**

- Cuando el suministro de agua será cortado por varias horas.
- Cuando el recipiente de almacenamiento de hielo sea retirado por más de uno o dos minutos.
- Cuando el refrigerador no será usado por varios días.

### **SONIDOS NORMALES QUE USTED PUEDE ESCUCHAR**

- La válvula de la fábrica de hielo producirá un zumbido mientras el productor de hielo se llene con agua.

**NOTA:** Si el suministro de agua de la vivienda (agua fría) no está conectado o abierto completamente, ponga la máquina de hielo en la posición de apagada (O) para evitar ruidos y posibles años. No encienda la máquina de hielo (I) hasta que se haya realizado la correcta conexión del suministro de agua.

- Usted escuchará el sonido de los cubos cayendo en el recipiente y el agua corriendo en los tubos conforme la fábrica de hielo se recargue.

### **PREPARÁNDOSE PARA SALIR DE VACACIONES**

Ponga el conmutador de energía de la fábrica de hielo en **Off (O)** y corte el suministro de agua al refrigerador.

Si la temperatura ambiente baja más allá del punto de congelación, haga que un técnico de servicio calificado drene el sistema de suministro de agua para prevenir serios daños a la propiedad debido a la inundación desde líneas o conexiones de agua rotas.

**GUÍA PARA EL ALMACENAMIENTO DE ALIMENTOS**

Envuelva o almacene los alimentos en el refrigerador dentro de materiales herméticos y antihumedad, a menos que se indique lo contrario. Esto evitará que el olor y sabor de los alimentos se transfiera por todo el refrigerador. Para productos con fecha de caducidad, compruebe el código de fecha para garantizar la frescura.

Elementos	Cómo
<b>Mantequilla o margarina</b>	► Conserve la mantequilla abierta en un plato cubierto o en un compartimiento cerrado. Cuando se almacena una cantidad extra, envuélvala en una bolsa para congelar y congélela.
<b>Queso</b>	► Almacene en el envoltorio original hasta que esté listo para consumirlo. Una vez abierto, vuelva a envolverlo herméticamente en un envoltorio plástico o en papel de aluminio.
<b>Leche</b>	► Limpie los cartones de leche. Para un mejor almacenamiento, coloque la leche en los estantes interiores y no en los estantes de la puerta.
<b>Huevos</b>	► Almacénelos en el cartón original en un estante interior, no en un estante de la puerta.
<b>Fruta</b>	► No lave ni pele la fruta hasta que ésta vaya a ser utilizada. Organice la fruta y consérvela en su contenedor original, en un cajón, o bien almacénela en una bolsa de papel completamente cerrada sobre un estante del refrigerador.
<b>Verdura con hoja</b>	► Retire el envoltorio comercial y corte o arranque las zonas magulladas o decoloradas. Lave en agua fría y deje escurrir. Colóquela en una bolsa o un contenedor de plástico, y almacénela en el cajón para verduras.
<b>Vegetales con piel (zanahorias, pimientos)</b>	► Colóquelos en una bolsa o un contenedor de plástico, y almacénelos en el cajón para verduras.
<b>Pescado</b>	► Almacene el pescado y los mariscos frescos en el congelador si no van a ser consumidos el mismo día en que se los adquirió. Se recomienda consumir pescados y mariscos frescos el mismo día de haberlos adquirido.
<b>Sobras</b>	► Cubra las sobras con un envoltorio plástico, papel de aluminio o dentro de contenedores de plástico con tapas herméticas.

**ALMACENAMIENTO DE ALIMENTOS CONGELADOS**

**NOTA:** Consulte una guía de congelación o un libro de cocina fiable para obtener más información sobre la forma de preparar los alimentos para su congelación o sobre los tiempos de almacenamiento de los alimentos congelados.

**Congelación**

El congelador no congelará rápidamente una gran cantidad de alimentos. No coloque más alimentos sin congelar en el congelador que los que se congelarán en 24 horas (no más de 1 o 1,5 kg de alimento por cada 30 litros de espacio en el congelador). Deje suficiente espacio en el congelador para que el aire pueda circular entre los paquetes. Tenga cuidado de dejar suficiente espacio en la parte delantera para que se pueda cerrar la puerta herméticamente.

Los tiempos de almacenamiento variarán en función de la calidad y el tipo de alimento, el tipo de envase o envoltorio utilizado (si son herméticos y antihumedad) y la temperatura de almacenamiento. La aparición de cristales de hielo dentro de un paquete sellado es normal. Esto sólo significa que la humedad del alimento y del aire del interior del paquete se ha condensado, creando cristales de hielo.

**NOTA:** Deje que los alimentos calientes se enfríen a temperatura ambiente durante 30 minutos y, a continuación, empaquételes y congélelos. Enfríar alimentos calientes antes de congelarlos ahorra energía.

**Empaquetamiento**

Una congelación correcta depende de un empaquetamiento adecuado. Cuando se cierra y sella el paquete, no debe dejar que entre ni salga aire ni humedad. Si eso sucede, es posible que el olor y el sabor de los alimentos se transfieran por todo el refrigerador y también se podrían resecar los alimentos congelados.

**Recomendaciones de empaquetamiento:**

- Contenedores de plástico rígido con tapas herméticas
- Tarros de congelación / enlatado con lados rectos
- Papel de aluminio grueso
- Papel con revestimiento plástico
- Envoltorios plásticos no permeables
- Bolsas de plástico con autosellado y calidad específica apta para congelador

Siga las instrucciones del contenedor o paquete para unos métodos de congelación adecuados.

**No usar**

- Envoltorios de pan
- Contenedores de plástico que no sean de polietileno
- Contenedores sin tapas herméticas
- Papel de cera o envoltorio para congelador revestidos de cera
- Envoltorio fino y semipermeable

**⚠ PRECAUCIÓN:** No almacene latas de bebidas o contenedores de comida de plástico en el compartimiento del congelador. Podrían romperse o estallar al congelarse.

### SECCIÓN REFRIGERADOR

#### ESTANTES DEL REFRIGERADOR

Los estantes del refrigerador son ajustables para satisfacer sus necesidades personales de almacenamiento. En función del modelo, los estantes pueden ser de vidrio o de rejilla metálica.

Organizar los estantes para que se ajusten a las diferentes alturas de los artículos hará que le resulte más fácil encontrar lo que busca. Con ello también reducirá el tiempo que permanece la puerta del refrigerador abierta y ahorrará energía.

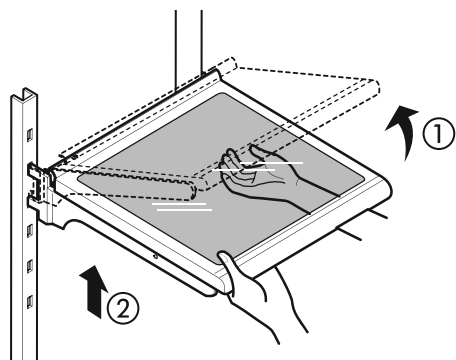
**IMPORTANTE:** No limpie los estantes de vidrio con agua templada mientras aún están fríos. Los estantes podrían romperse si se ven expuestos a cambios repentinos de temperatura o a impactos.

**NOTA:** Los estantes de vidrio son pesados. Tenga especial cuidado en el momento de retirarlos.

#### Desprendiendo el Estante (Tipo de Media Gaveta)

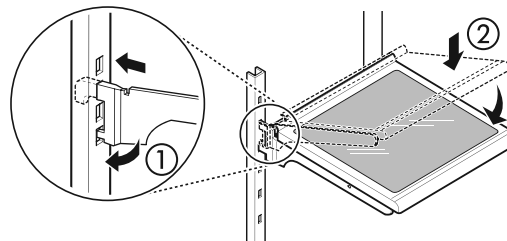
1 Incline hacia arriba la parte frontal del estante luego levántelo.

2 Retire el estante.



#### Ensamblando el Estante (Tipo de Media Gaveta)

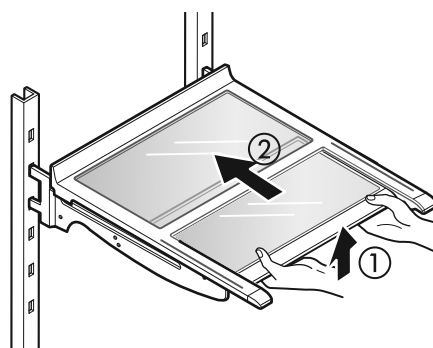
1. Incline el frente del estante hacia arriba y guíe los ganchos hacia dentro de las ranuras a la altura deseada.



**⚠ PRECAUCIÓN:** Asegúrese de que los estantes tienen ambos lados nivelados. De lo contrario, podría caerse el estante o derramarse los alimentos.

#### Usando el Estante plegable (slo para uso en tienda)

Almacene artículos más altos, como un contenedor de galón o botellas, empujando la mitad frontal del estante debajo de la mitad trasera de mismo. Jale la mitad del estante hacia adelante para regresarlo a un estante completo.

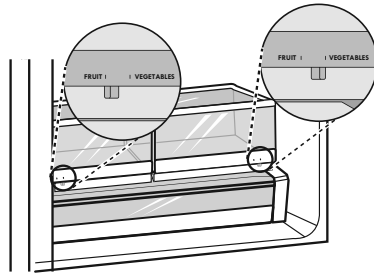


### CAJÓN CON CONTROL DE HUMEDAD

Los cajones para verduras mantienen el sabor y la frescura de la fruta y la verdura al permitir controlar fácilmente la humedad dentro del cajón.

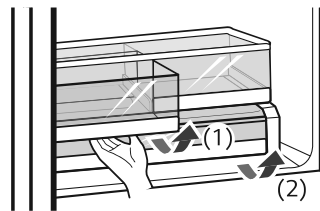
Para controlar la cantidad de humedad en los cajones para verduras con sellado antihumedad, ajuste el control en cualquier posición entre **VEGETABLES** y **FRUIT**.

- **VEGETABLES** mantiene un aire húmedo en el cajón para un mejor almacenamiento de las verduras frescas y de hoja.
- **FRUIT** mantiene el aire húmedo fuera del cajón para un mejor almacenamiento de la fruta.

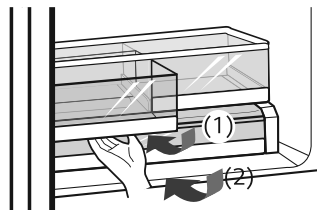


### DESMONTAJE DEL CAJÓN CON CONTROL DE HUMEDAD

1. Para remover el recipiente de humedad controlada para verduras y el cajón despensa, extraiga el recipiente (1) o el cajón despensa (2) a su máximo extensión, levante la parte frontal, y retírelo completamente.

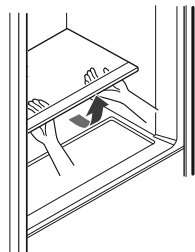


2. Para instalar, incline el frente levemente hacia arriba, inserte el cajón para verduras o estante en el marco y empujelo hacia atrás en su lugar.



### Cubierta del recipiente para verduras

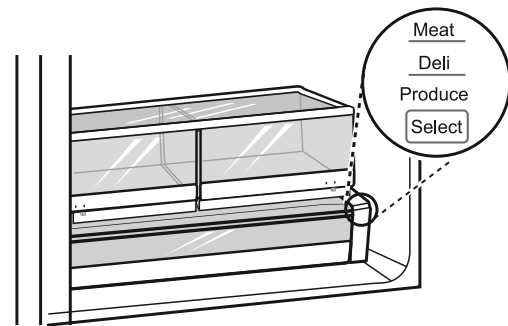
Para removerla, levante la parte frontal de la cubierta hasta que ésta se separe de la pared trasera del gabinete, luego retírela.



### CAJÓN DESPENSERO CON CONTROL DE TEMPERATURA

El Cajón despensero con control de temperatura proporciona espacio de almacenamiento con un control de temperatura variable que permite mantener el compartimiento más frío que la sección del refrigerador. Este cajón se puede usar para grandes bandejas de fiesta, artículos de charcutería y bebidas. (Este cajón no se debe usar para verduras que requieran un alto nivel de humedad).

Pulse el botón para elegir entre Meat (carne), Deli (charcutería) y Produce (Productos cocinados).



**⚠ PRECAUCIÓN:** No guarde botellas de vidrio en la despensa. Si se congelan, pueden romperse y causarle lesiones.

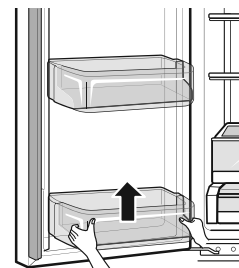
### BANDEJAS DE LA PUERTA

Las bandejas de la puerta son extraíbles para facilitar su limpieza y ajuste.

1. Para desmontar la bandeja, simplemente levántela hacia arriba y tire de ella hacia fuera.
2. Para volver a colocar la bandeja, deslícela por encima del soporte deseado y empuje hacia abajo hasta que encaje en su sitio.

### ⚠ PRECAUCIÓN

- Desprenda regularmente y lave los recipientes y estantes de almacenamiento; estos pueden contaminarse fácilmente por los alimentos.
- No aplique fuerza en exceso mientras desprende o ensambla los recipientes de almacenamiento.
- No use lava platos para limpiar los recipientes y estantes de almacenamiento.

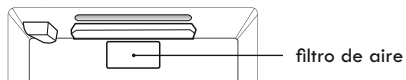


## REEMPLAZO DEL FILTRO DE AIRE



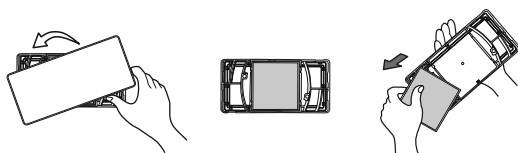
Se recomienda reemplazar el filtro de aire:

- Aproximadamente cada seis meses.
- Cuando se encienda la luz "CHANGE" AIR FILTER (Cambiar filtro de aire).



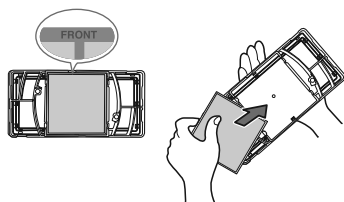
### 1. Extraiga el filtro viejo

Gire la tapa del filtro hacia la izquierda para separarlo de la pared del refrigerador. El filtro se ubica en la parte interior de la tapa del filtro. Quite el filtro de la tapa y reemplácelo con uno nuevo.

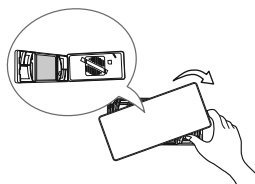


### 2. Instale un nuevo filtro de aire.

Coloque un filtro nuevo dentro de la tapa con el lateral que dice "Frente" mirando hacia afuera.



### 3. Gir la cubierta del filtro hacia la derecha para sujetarla a la pared del refrigerador.



### 4. Mantenga presionado el boton Air Filter por tres segundos para reiniciar el sensor del filtro.

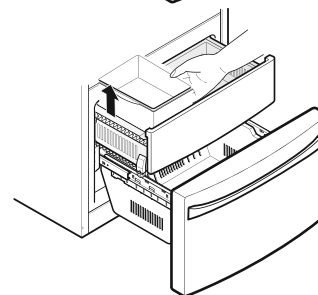
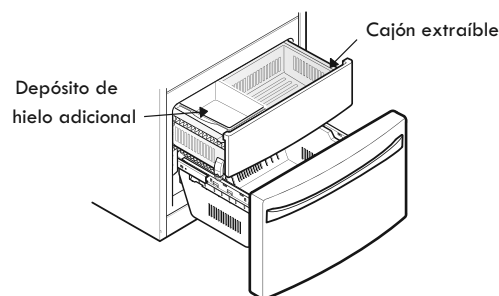


**NOTA:** Para comprar un filtro de agua de repuesto, llame 1-884-553-6667.

## SECCIÓN CONGELADOR

### DEPÓSITO DE HIELO

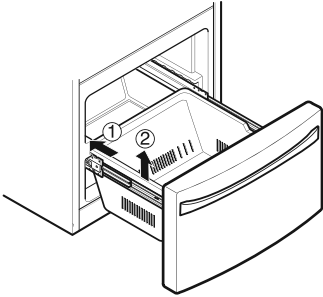
1. Tire del cajón congelador y el cajón extraíble lo máximo posible para retirar el depósito de hielo.
2. Con cuidado levante y saque el depósito de hielo.
3. Para volver a colocarlo, tire de los dos cajones lo máximo posible y ponga el depósito en su posición correcta en el cajón extraíble. Cierre el cajón extraíble y, después, el cajón del congelador.



**⚠ PRECAUCIÓN:** Peligro de pinzamiento. Mantenga las manos y pies lejos de la parte inferior del cajón del congelador al abrir y al cerrar.

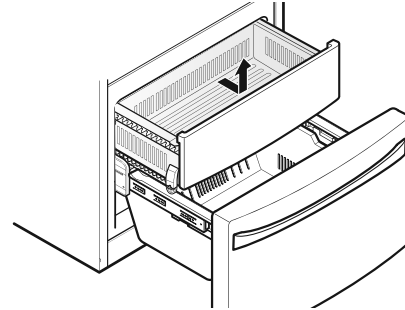
### DURABASE

1. Para desmontar el Durabase, empújelo hacia atrás todo lo posible. Incline hacia arriba la parte delantera del Durabase y tire de él hacia fuera.
2. Para volver a colocarlo, inserte el Durabase en la estructura de rieles:

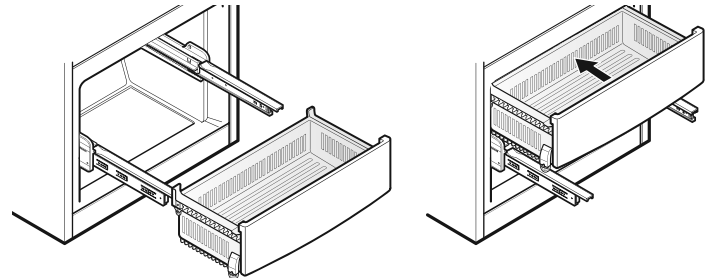


### CAJÓN EXTRAÍBLE

1. Para retirar, jale el cajón hacia fuera a toda su extensión. Levante el frente del cajón, luego jálelo y tire hacia fuera.



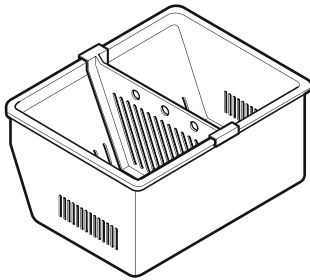
2. Para instalar, incline hacia arriba ligeramente el frente e inserte el cajón en el bastidor y empuje hacia atrás para que quede en su lugar.



**⚠ ADVERTENCIA:** Si se retira el divisor Durabase, habrá suficiente espacio abierto para que un niño o una mascota puedan gatear hasta el interior. Para evitar el atrapamiento accidental de un niño o una mascota y el posible riesgo de asfixia, NO permita que niños y mascotas toquen ni se acerquen al cajón.

### DIVISOR DURABASE

El divisor Durabase le permite organizar el área Durabase en secciones.



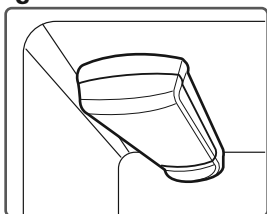
# FILTRO DE AGUA

## FILTRO DE AGUA



### Se recomienda reemplazar el filtro de agua:

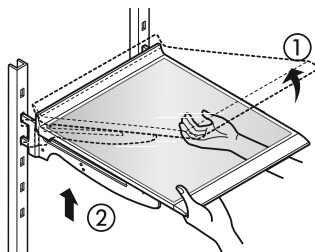
- Aproximadamente cada 6 meses.
- Cuando el indicador del filtro del agua se encienda.
- Cuando los cubitos de hielo sean más pequeños de lo normal.



### Antes de sustituir el filtro de agua:

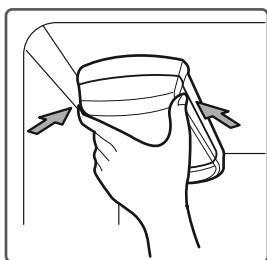
Si el estante superior, situado debajo del filtro de agua, está en la posición más alta, se necesitará retirar el mismo antes de sustituir el filtro de agua.

Para retirar cualquier estante - Levante el frente del estante ① y tire hacia arriba ②. Saque el estante.



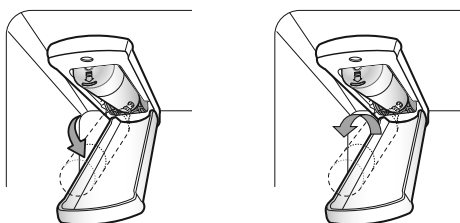
### 1. Quite el antiguo filtro de agua.

- Baje o desmonte el estante superior izquierdo para permitir que el filtro de agua pueda girar hacia abajo totalmente.
- Pulse el botón de presión para abrir la tapa del filtro de agua.



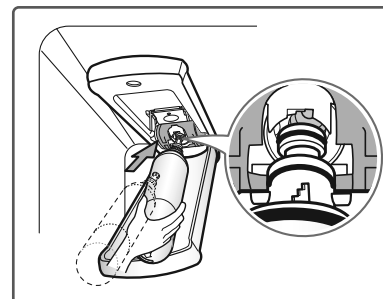
**NOTA:** Al reemplazar el filtro de agua se drena una pequeña cantidad de agua (unos 25 cc). Colocar un paño alrededor de la parte delantera de la tapa del filtro de agua para recoger el agua que se escape. Sostenga el filtro de agua en posición vertical, una vez retirado, para evitar que el agua residual se salga del filtro de agua.

- Asegúrese de rotar el filtro completamente hacia abajo previo a retirarlo de la cabeza del mismo. Tire del filtro de agua hacia abajo y rótelo hacia la izquierda.

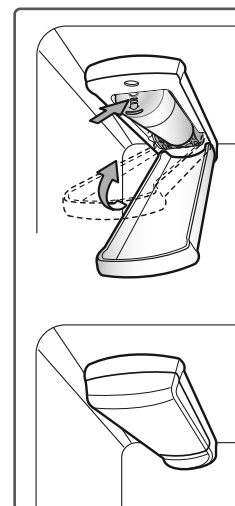


### 2. Reemplácelo con un filtro de agua nuevo.

- Saque el nuevo filtro de agua de su envoltorio y retire la tapa protectora de las juntas tóricas.



- Con las pestañas del filtro de agua en posición horizontal, empuje el nuevo filtro de agua en la cabeza de éste y rótelo hacia la derecha.



- Gire el filtro de agua hacia arriba hasta colocarlo en su sitio y cierre la tapa. La tapa hará "clic" cuando se cierre correctamente.

### 3. Después de reemplazar el filtro de agua, dispense

9 litros de agua (deje correr el agua durante unos 5 minutos) para purgar el aire atrapado y los contaminantes del sistema; no dispense los 9 litros de agua de manera continua. Pulse y suelte el botón del dispensador en ciclos de 30 segundos ON y 60 segundos OFF.

**NOTA:** Para comprar un filtro de agua de repuesto, llame 1-884-553-6667.

También puede comprar en línea en: [www.kenmore.com](http://www.kenmore.com)

**Hoja de datos de rendimiento**

Utilice un recambio de cartucho: MDJ64844602(9980)

La concentración de las sustancias indicadas en el agua que entra en el sistema se redujo a una concentración menor o igual al límite permisible para el agua de salida según las especificaciones de los estándares NSF/ANSI 42 y 53 Y 401.



Sistema probado y certificado por NSF International según los estándares NSF/ANSI 42 y 53 y 401 para la reducción de las sustancias siguientes..

Reducción de contaminantes	Influyente medio	NSF especificado Concentración objetivo	% promedio Reducción	Producto promedio Concentración de agua	Máximo permitido Concentración de producto en agua	Reducción NSF Requisito
Olor y sabor a cloro	2,0 µg/L	2,0 µg/L ± 10 %	> 97,5 %	0,050 µg/L	N/A	≥ 50,00 %
Partículas nominales l, ≥ 0,5 a < 1,0 µm	12.000.000 pts/mL	Al menos 10.000 partículas/mL	99,80 %	24.000 pts/ml	N/A	≥ 85,00 %
Asbesto	180 MFL	10 <sup>7</sup> a 10 <sup>8</sup> MFL; fibras mayores que 10 µg/Lin de longitud	> 99,00 %	< 1 MFL	N/A	≥ 99,00 %
Atracina	8,5 µg/L	9,0 µg/L ± 10 %	> 94,10 %	0,500 µg/L	3,0 µg/L	NA
Benceno	15,0 µg/L	15,0 µg/L ± 10 %	> 96,60 %	0,510 µg/L	5,0 µg/L	NA
Carbofurano	74,0 µg/L	80,0 µg/L ± 10 %	98,30 %	1,258 µg/L	40 µg/L	NA
Lindano	1,9 µg/L	2,0 µg/L ± 10 %	> 99,00 %	0,019 µg/L	0,2 µg/L	NA
P-Diclorobenceno	230,0 µg/L	225,0 µg/L ± 10 %	> 99,80 %	0,460 µg/L	75,0 µg/L	NA
2,4-D	210,0 µg/L	210,0 µg/L ± 10 %	> 99,90 %	0,210 µg/L	70,0 µg/L	NA
Plomo a pH 6,5	140,0 µg/L	150,0 µg/L ± 10 %	99,60 %	0,560 µg/L	10,0 µg/L	NA
Plomo a pH 8,5	150,0 µg/L	150,0 µg/L ± 10 %	> 90 %	< 0.500 µg/L	10,0 µg/L	NA
Mercurio a pH 6,5	5,9 µg/L	6,0 µg/L ± 10 %	91,00 %	0,531 µg/L	2,0 µg/L	NA
Mercurio a pH 8,5	5.6 µg/L	6,0 µg/L ± 10 %	92.50 %	< 0.420 µg/L	2,0 µg/L	NA
Bacterias*	100.000 bacterias/L	Mínimo de 50.000 bacterias/L	> 99,99 %	10	N/A	≥ 99,95 %
Atenolol	240 ng/L	200 ± 40 % ng/L	> 95,50 %	10,80 ng/L	30 ng/L	NA
Carbamazepina	1600 ng/L	1400 ± 40 % ng/L	98,40 %	25,60 ng/L	200 ng/L	NA
DEET	1600 ng/L	1400 ± 40 % ng/L	97,10 %	46,40 ng/L	200 ng/L	NA
Trimetoprima	170 ng/L	140 ± 40 % ng/L	> 96,80 %	5,44 ng/L	20 ng/L	NA
Linurón	160 ng/L	140 ± 40 % ng/L	> 96,60 %	5,44 ng/L	20 ng/L	NA
Fenitoína	200 ng/L	200 ± 40 % ng/L	> 94,80 %	10,40 ng/L	30 ng/L	NA
Ibuprofeno	400 ng/L	400 ± 40 % ng/L	> 94,50 %	22,00 ng/L	60 ng/L	NA
Naproxeno	140 ng/L	140 ± 40 % ng/L	> 96,10 %	5,46 ng/L	20 ng/L	NA
Estrona	120 ng/L	140 ± 40 % ng/L	> 96,10 %	4,68 ng/L	20 ng/L	NA
Bisfenol A	2000 ng/L	2000 ± 40 % ng/L	> 98,90 %	22,00 ng/L	300 ng/L	NA
Nonilfenol	1600 ng/L	1400 ± 40 % ng/L	> 97,10 %	46,40 ng/L	200 ng/L	NA

\* Basado en el uso de Cryptosporidium parvum oocysts.

## FILTRO DE AGUA

Directrices de aplicación/Parámetros del suministro de agua	
Flujo de servicio	1,9 lpm (0,5 gpm)
Suministro de agua	Agua potable
Presión del agua	138 - 827 kPa (20-120 psi)
Temperatura del agua	0,6 °C - 38 °C (33 °F - 100 °F)

Es esencial respetar los requisitos recomendados por el fabricante para la instalación, mantenimiento y reemplazo del filtro de agua para que el producto se comporte de la forma indicada.

**NOTA:** Las pruebas se realizan en condiciones estándar de laboratorio, por lo que el rendimiento real puede variar.

NOTA: Para comprar un filtro de agua de repuesto, visitar su tienda local de Sears, o llame 1-844-553-6667. También puede comprar en línea en: [www.kenmore.com](http://www.kenmore.com)

Producto distribuido en los Estados Unidos de América por Sears Brands Management Corporation, Hoffman Estates, IL 60179.

NSF es una marca comercial de NSF International.

## ! ADVERTENCIA

**Para reducir el riesgo asociado a la ingestión de contaminantes: No utilice agua que no sea segura microbiológicamente o cuya calidad se desconozca sin una desinfección adecuada antes o después del sistema.**

Los sistemas certificados para la reducción de quistes puede utilizarse en aguas desinfectadas que puedan contener quistes filtrables. Número de establecimiento de 10350-MN-005

## ! PRECAUCIÓN

**Para reducir el riesgo asociado con daños materiales debidos a fugas de agua:**

- **Lea y cumpla** las instrucciones de uso del filtro de agua antes de la instalación y uso de este sistema.
- La instalación y uso **DEBE** cumplir con todas las normativas de fontanería estatales y locales.
- **No** instalar si la presión del agua excede los 120 psi (827 kPa). Póngase en contacto con un fontanero profesional si no está seguro de cómo comprobar la presión del agua.
- **No** instalar en sistemas donde se pueda producir el efecto de golpe de ariete. Si existe una situación de golpe de ariete en la instalación, debe instalar un amortiguador de golpe de ariete. Póngase en contacto con un fontanero profesional si no está seguro de cómo comprobar esta situación.
- **No** instalar en tuberías de suministro de agua caliente. La temperatura máxima de funcionamiento del agua de este sistema de filtrado de agua es de 38 °C (100 °F).
- **Proteja el filtro de agua de la congelación.** No use el frigorífico en condiciones ambientales por debajo de los 13 °C (55 °F). Drene el filtro de agua cuando almacene la unidad en temperaturas inferiores a los 4,4 °C (40 °F).
- El filtro de agua desechable se debe reemplazar cada seis meses, a la capacidad nominal, o si se produce una significativa reducción del flujo.

## CUIDADO Y LIMPIEZA

### ⚠ ADVERTENCIA



#### Riesgo de explosión

Use un limpiador no inflamable. Si no se respeta esta advertencia, existe peligro de explosión, incendio o muerte.

Tanto las secciones refrigerador como congelador se descongelan de forma automática; sin embargo, se recomienda limpiar ambas secciones una vez al mes para evitar la aparición de olores. Seque los derrames inmediatamente.

#### SUGERENCIAS GENERALES DE LIMPIEZA

- Desenchufe el refrigerador o desconecte la alimentación.
- Retire todos los componentes extraíbles, como estantes, cajones, etc. Consulte las secciones en **Uso del refrigerador** para obtener instrucciones acerca del desmontaje.
- Use una esponja limpia o un trapo suave, junto con un detergente suave en agua templada. No utilice limpiadores abrasivos o agresivos.
- Lave a mano, aclare y seque todas las superficies a fondo.
- Enchufe el refrigerador o vuelva a conectar la corriente.

#### EXTERIOR

El encerado de las superficies metálicas pintadas externas proporciona una protección contra el óxido. No encere las piezas de plástico. Encere las superficies metálicas pintadas al menos dos veces al año con cera para electrodomésticos (o cera en pasta para coches). Aplique la cera con un trapo suave y limpio.

Para productos con un exterior en acero inoxidable, use una esponja limpia o un trapo suave, junto con un detergente suave en agua templada. No utilice limpiadores abrasivos o agresivos. Seque a fondo con un trapo suave.

#### PAREDES INTERIORES (deje que el congelador se caliente para que el trapo no se quede pegado)

Para ayudarle a eliminar los olores, puede lavar el interior del refrigerador con una mezcla de bicarbonato sódico y agua templada. Mezcle 2 cucharadas soperas de bicarbonato sódico (unos 26 g) en 1 litro de agua. Asegúrese de que el bicarbonato sódico esté completamente disuelto para que no raye las superficies del refrigerador.

⚠ **PRECAUCIÓN:** Cuando esté limpiando el interior, no pulverice agua.

#### REVESTIMIENTO DE LAS PUERTAS Y JUNTAS

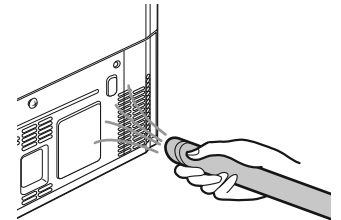
Use una esponja limpia o un trapo suave, junto con un detergente suave en agua templada. No utilice ceras de limpieza, detergentes concentrados, lejías ni limpiadores que contengan petróleo en las piezas del refrigerador que son de plástico.

#### PIEZAS DE PLÁSTICO (tapas y paneles)

Use una esponja limpia o un trapo suave, junto con un detergente suave en agua templada. No utilice sprays para ventanas, limpiadores abrasivos ni líquidos inflamables, ya que pueden arañar o dañar el material.

#### BOBINAS DEL CONDENSADOR

Use un aspirador con un accesorio para limpiar las bobinas del condensador y las rejillas de ventilación. No retire el panel que cubre el área de las bobinas del condensador.



### SUSTITUCIÓN DE LA BOMBILLA

#### **ADVERTENCIA**

##### **Riesgo de descargas eléctricas**

Antes de reemplazar la bombilla de un compartimento, desenchufe el refrigerador o corte la corriente en el disyuntor o en la caja de fusibles.

NOTA: La lámpara del compartimento del refrigerador es una iluminación interior mediante LEDs por lo que el mantenimiento deberá ser realizado por un técnico cualificado.

### INTERRUPCIONES DE ALIMENTACIÓN

1. Si la interrupción de la corriente durará 24 horas o menos, mantenga todas las puertas del refrigerador cerradas para que los alimentos permanezcan fríos y congelados.
2. Si la interrupción de la corriente durará más de 24 horas, saque todos los alimentos congelados y almacénelos en un arcón congelador.

### CUANDO SE VA DE VACACIONES

Si decide dejar encendido el refrigerador mientras está fuera, siga estos pasos para preparar el refrigerador antes de irse.

1. Consuma los alimentos perecederos y congele los demás.
2. Apague la máquina de hielo y vacíe el depósito de hielo.

Si decide apagar el refrigerador antes de partir, siga estos pasos.

1. Saque todos los alimentos del refrigerador.
2. En función del modelo, ajuste el control del termostato (control del refrigerador) en OFF. Consulte la sección Ajuste de los controles .
3. Limpie el refrigerador y séquelo a fondo.
4. Con cinta adhesiva, coloque bloques de madera o goma en la parte superior de ambas puertas para mantenerlas lo suficientemente abiertas para que pueda pasar el aire. Esto evitará la aparición de moho y malos olores.

### CUANDO SE MUDA

Cuando vaya a trasladar su refrigerador a una nueva casa, siga estos pasos para prepararlo para la mudanza.

1. Saque todos los alimentos del refrigerador y empaquete todos los alimentos congelados en hielo seco.
2. Desenchufe el refrigerador.
3. Lávelo y séquelo a fondo.
4. Retire todos los componentes extraíbles, envuélvalos bien y, con cinta adhesiva, embáelos juntos para que no se muevan ni traqueteen durante la mudanza. Consulte la sección Uso del refrigerador para obtener instrucciones sobre componentes extraíbles.
5. En función del modelo, levante la parte delantera del refrigerador para que ruede con más facilidad O BIEN atornille los pies de nivelación para que no rayen el suelo. Consulte la sección Cierre de las puertas .
6. Use cinta adhesiva para mantener las puertas cerradas y para pegar el cable de alimentación al cuerpo del refrigerador.

Cuando llegue a su nueva casa, vuelva a colocar todo en su sitio y consulte la sección Instalación del refrigerador para obtener las instrucciones de preparación.

## CONEXIÓN DE LA TUBERÍA DE AGUA

### ANTES DE EMPEZAR

Esta instalación de la tubería de agua no está cubierta por la garantía del refrigerador. Siga estas instrucciones con cuidado para minimizar el riesgo de costosos daños debidos al agua.

El golpe de ariete (golpeteo del agua en las tuberías) en la fontanería de la casa podría dañar componentes del refrigerador y provocar una fuga o una inundación de agua. Llame a un fontanero cualificado para resolver el golpe de ariete antes de instalar la tubería de suministro de agua en el refrigerador.

**⚠ PRECAUCIÓN:** Para evitar quemaduras y daños en el producto, conecte solamente el tubo de agua del refrigerador a un suministro de agua fría.

Si utiliza el refrigerador antes de la conexión al suministro de agua, asegúrese de apagar la máquina de hielo en el panel de control.

**⚠ PRECAUCIÓN:** No instale la tubería de la máquina de hielo en zonas donde las temperaturas descienden por debajo del punto de congelación.

### PRESIÓN DEL AGUA

**Un suministro de agua fría.** La presión del agua debe estar entre los 20 y los 120 psi. Si el refrigerador se instala en un área con baja presión de agua (menos de 20 psi), se puede instalar una bomba de carga para compensar la baja presión.

Si se conecta un **sistema de filtración de agua de ósmosis inversa** al suministro de agua fría, esta instalación de la tubería de agua no está cubierta por la garantía del refrigerador. Siga estas instrucciones con cuidado para minimizar el riesgo de costosos daños debidos al agua.

Si se conecta un **sistema de filtración de agua de ósmosis inversa** al suministro de agua fría, la presión de agua al sistema de ósmosis inversa debe ser como mínimo de entre 40 y 60 psi (276-414 kPa o 2,8-4,2 kgf/cm<sup>2</sup>, menos de 2-3 s para llenar un vaso de 7 oz o 198 cc de capacidad).

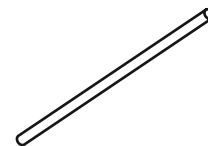
Si la presión del agua del sistema de ósmosis inversa es inferior a 20 psi o 138 kPa o 1,4 kgf/cm<sup>2</sup> (se necesitan más de 4 s para llenar un vaso de 7 oz o 198 cc de capacidad):

- Compruebe si el filtro de sedimentos del sistema de ósmosis inversa está bloqueado. Reemplace el filtro si es necesario.
- Después de un uso intensivo, déle tiempo al depósito de almacenamiento del sistema de ósmosis inversa para que se llene.
- Si el problema relacionado con la presión de agua procedente de la ósmosis inversa persiste, llame a un fontanero cualificado.
- Todas las instalaciones deben realizarse conforme a los requisitos de los códigos locales de fontanería.

**⚠ PRECAUCIÓN:** Use gafas protectoras durante la instalación para evitar lesiones.

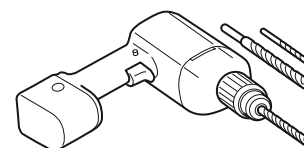
### QUÉ NECESITARÁ

- **Tubería de cobre**, de ¼ de pulgada de diámetro, para conectar el refrigerador al suministro de agua. Asegúrese de que ambos extremos de la tubería están cortados a escuadra.
- Para determinar la cantidad de tubería que necesita: mida la distancia desde la válvula de agua situada en la parte posterior del refrigerador a la tubería del suministro de agua. A continuación, súmele 2,4 metros (8 pies). Asegúrese de que haya suficiente tubería adicional (aproximadamente 2,4 metros [8 pies] enrollada en 3 vueltas de unos 25 cm [10 pulg.] de diámetro) para permitir que se pueda despegar el refrigerador de la pared después de la instalación.

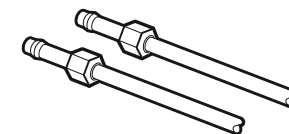


- **Taladro eléctrico.**
- **Llave de ½ pulg. o una llave inglesa.**
- **Destornilladores de punta plana y de estrella.**

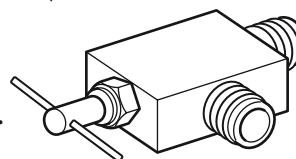
- **Dos tuercas de compresión con un diámetro exterior de ¼ de pulg. y 2 abrazaderas** para unir el tubo de cobre a la válvula de corte y a la válvula de agua del refrigerador.



- Si la tubería de agua de cobre existente tiene una conexión abocinada en el extremo, necesitará un **adaptador** (disponible en cualquier ferretería) para conectar la tubería de agua al refrigerador. O puede cortar la conexión abocinada con un cortatubos y, a continuación, usar una tuerca de unión.



- **Una válvula de corte para conectar a la tubería de agua fría.** La válvula de corte debería tener una entrada de agua con un diámetro interior mínimo de 5/32 pulg. en el punto de conexión con la TUBERÍA DE AGUA FRÍA. Las válvulas de corte de montura se incluyen en muchos kits de suministros de agua. Antes de comprarla, asegúrese de que la válvula de montura cumple con los códigos locales de fontanería.



**NOTA:** No se debe usar una válvula de agua de tipo de montura autoperforante.

## ⚠ ADVERTENCIA

### Riesgo de descargas eléctricas

Si usa un dispositivo eléctrico (como un taladro) durante la instalación, asegúrese de que esté alimentado por batería y que tenga doble aislamiento o que esté correctamente conectado a tierra de manera que evite el riesgo de una descarga eléctrica.

## INSTRUCCIONES DE INSTALACIÓN

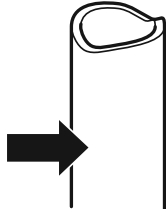
Instale la válvula de corte cerca de la tubería de agua potable que más se usa.

### 1. CORTE EL SUMINISTRO DE AGUA PRINCIPAL

Abra el grifo más cercano para liberar la presión de la línea.

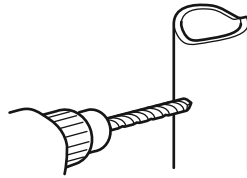
### 2. ELIJA LA UBICACIÓN DE LA VÁLVULA

Elija una ubicación para la válvula a la que se pueda acceder fácilmente. Es mejor conectarla en el lateral de una tubería de agua vertical. Cuando sea necesario conectarla en una tubería de agua horizontal, realice la conexión en la parte superior o lateral, en lugar de conectarla a la parte inferior, para evitar la acumulación de sedimentos de la tubería de agua.



### 3. TALADRE EL ORIFICIO PARA LA VÁLVULA

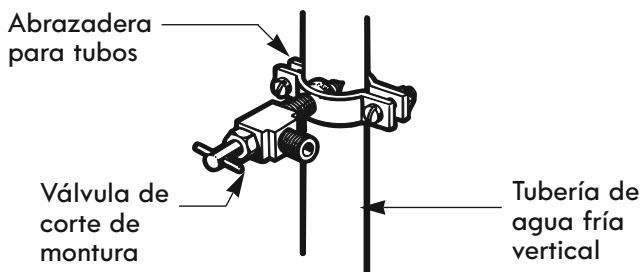
Taladre un orificio de 1/4 pulg. en la tubería de agua mediante una punta afilada. Quite todas las rebabas resultantes de taladrar el orificio en la tubería. Tenga cuidado de que no caiga agua en el taladro. Si no se taladra un orificio de 1/4 de pulg., podría verse reducida la producción de hielo y el tamaño de los cubitos.



**NOTA:** La tubería de conexión no puede ser una tubería blanca de plástico. Los fontaneros profesionales solo pueden utilizar tuberías de cobre (tuberías NDA #49595 o #49599) o tuberías de Polietileno Reticular (PEX).

### 4. FIJE LA VÁLVULA DE CORTE

Fije la válvula de corte a la tubería de agua fría con la abrazadera para tubos.

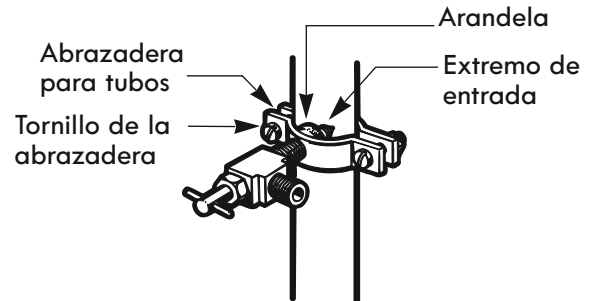


**NOTA:** Se deben cumplir los códigos de fontanería 248CMR del Estado de Massachusetts. Las válvulas de montura son ilegales y no se permite su uso en Massachusetts. Consulte a su fontanero autorizado.

### 5. APRIETE LA ABRAZADERA PARA TUBOS

Apriete los tornillos de la abrazadera hasta que la arandela de sellado comience a hincharse.

**NOTA:** Tenga cuidado de no sobreapretar la abrazadera, ya que podría romper la tubería.



### 6. ENCAMINE LA TUBERÍA

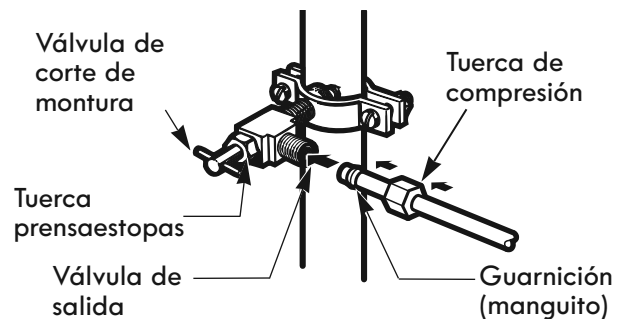
Encamine la tubería entre la tubería de agua fría y el refrigerador.

Encamine la tubería a través de un orificio taladrado en la pared o suelo (detrás del refrigerador o junto a la base del aparato) lo más cerca de la pared que sea posible.

**NOTA:** Asegúrese de que haya suficiente tubería adicional (aproximadamente 2,4 metros enrollada en 3 vueltas de unos 25 cm diámetro) para permitir que se pueda despegar el refrigerador de la pared después de la instalación.

### 7. CONECTE LA TUBERÍA A LA VÁLVULA

Coloque la tuerca de compresión y la abrazadera para la tubería de cobre en el extremo de la tubería y conéctela a la válvula de corte. Asegúrese de que la tubería está completamente insertada en la válvula. Apriete la tuerca de compresión con fuerza.

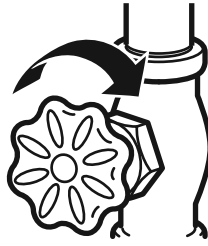


**NOTA:** Se deben cumplir los códigos de fontanería 248CMR del Estado de Massachusetts. Las válvulas de montura son ilegales y no se permite su uso en Massachusetts. Consulte a su fontanero autorizado.

**8. ACLARE EL INTERIOR DE LA TUBERÍA**

Active el suministro de agua principal y deje correr el agua por la tubería hasta que salga agua limpia.

Corte la válvula de agua después de que haya pasado aproximadamente un litro de agua a través de la tubería.

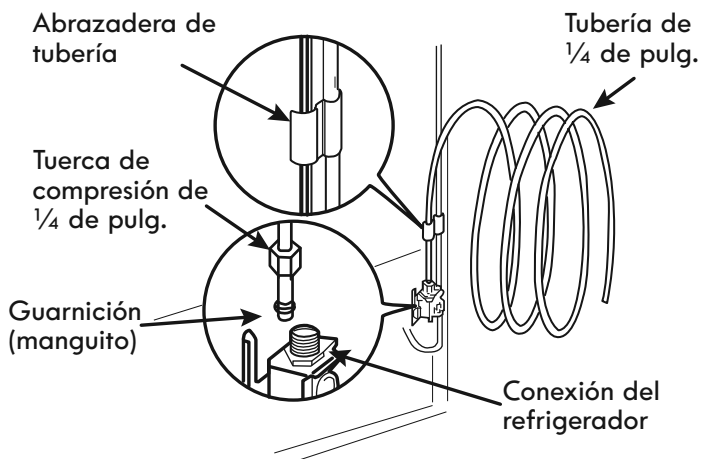


**9. CONECTE LA TUBERÍA AL REFRIGERADOR**

**! ADVERTENCIA**

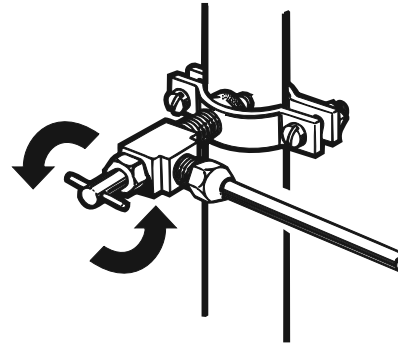
Antes de realizar la conexión al refrigerador, asegúrese de que el cable de alimentación del refrigerador no está enchufado a la toma de corriente.

1. Retire la tapa de plástico flexible de la válvula de agua.
2. Coloque la tuerca de compresión y la guarnición (manguito) en el extremo del tubo tal como se muestra en la imagen.
3. Inserte el extremo de la tubería de cobre en la conexión todo lo que pueda. Mientras sujeta la tubería, apriete el adaptador.



**10. ABRA EL PASO DE AGUA EN LA VÁLVULA DE CORTE**

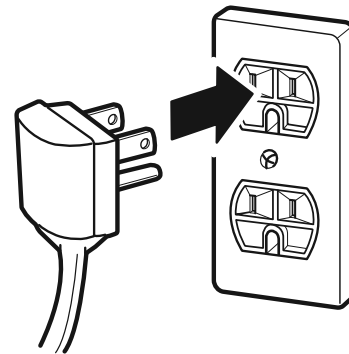
Apriete las conexiones que goteen.



**! PRECAUCIÓN:** Compruebe si hay fugas en las conexiones de las tuberías de agua.

**11. ENCHUFE EL REFRIGERADOR**

Disponga la bobina de tubería de tal manera que no vibre contra la parte posterior del refrigerador ni contra la pared. Empuje el refrigerador hacia la pared.



**12. ENCIENDA LA MÁQUINA DE HIELO**

La máquina de hielo no comenzará a funcionar hasta que no alcance su temperatura de funcionamiento de  $-9^{\circ}\text{C}$  ( $15^{\circ}\text{F}$ ) o menos. Se pondrá en funcionamiento automáticamente si se ha puesto en ON el botón de la máquina de hielo.

## GUÍA DE SOLUCIÓN DE PROBLEMAS

Antes de llevar a cabo los pasos necesarios para detectar y solucionar problemas, asegúrese de que se cumpla con los siguientes requisitos básicos:

Flujo de servicio	1,9 lpm (0,5 gpm)
Suministro de agua	Agua potable
Presión del agua	138 - 827 kPa (20-120 psi)
Límites de temperatura ambiente para el funcionamiento	55°F - 110°F
Especificaciones eléctricas	115 voltios, 60 Hz, AC únicamente, y fusionado a 15 o 20 amperios.

### ENFRIADO

Problema	Causas posibles	Solutions
Las secciones del refrigerador y del congelador no enfrían.	El control del refrigerador está en la posición OFF (en algunos modelos).	Encienda el control. Consulte la sección Ajuste de los controles para obtener información acerca de los ajustes correctos de temperatura.
	El refrigerador está en Demo Mode (Modo Demostración).	El Modo demostración permite que las luces y la pantalla de control funcionen con normalidad, si bien el sistema de refrigeración está deshabilitado para ahorrar energía, mientras el electrodoméstico está en la planta de exposición del establecimiento comercial. Consulte la sección Ajuste de los controles para obtener instrucciones sobre cómo desactivar el Modo Demostración.
	El refrigerador está en el ciclo de descongelación.	Durante el ciclo de descongelación, la temperatura de cada compartimiento puede aumentar ligeramente. Espere 30 minutos y una vez que se haya completado el ciclo de descongelación, verifique que la temperatura correcta se haya restablecido.
	El refrigerador se instaló recientemente.	Puede tomar hasta 24 horas para que cada compartimiento alcance la temperatura deseada.
	El refrigerador se trasladó recientemente.	Si el refrigerador estuvo fuera de uso por mucho tiempo, o si estuvo guardado de costado, es necesario que se lo posiciones de manera vertical por 24 horas antes de conectarlo a la energía eléctrica.
El sistema de enfriado funciona por demasiado tiempo.	El refrigerador ha reemplazado a un modelo más antiguo.	Los refrigeradores modernos requieren más tiempo de funcionamiento pero consumen menos energía gracias a una tecnología más eficiente.
	El refrigerador se acaba de enchufar o la electricidad se acaba de restablecer.	El refrigerador puede tardar hasta 24 horas en enfriarse completamente.
	La puerta se abre a menudo o se acaba de introducir una gran cantidad de alimentos/ alimentos calientes.	Cuando se introducen alimentos o se abren las puertas, aumenta la temperatura del refrigerador, lo que obliga al compresor a funcionar por más tiempo para volver a enfriar el refrigerador. Para ahorrar energía, intente sacar todo lo que necesite del refrigerador de una sola vez, mantenga los alimentos organizados para que resulte fácil encontrarlos, y cierre la puerta en cuanto saque el alimento. (Consulte la Guía para el almacenamiento de alimentos).
	Las puertas no están completamente cerradas.	Empuje firmemente para cerrar las puertas. Si éstas no se cierran por completo, consulte el apartado "Las puertas no se cierran completamente o quedan abiertas en la sección Componentes y Características de la Guía de resolución de problemas.
	El refrigerador está instalado en un lugar caluroso.	El compresor funcionará por más tiempo en condiciones calurosas. A temperaturas ambiente normales (21 °C), el compresor debería funcionar entre el 40% y el 80% del tiempo. En condiciones más calurosas, sería esperable que funcionara incluso más a menudo. No se debería usar el refrigerador si la temperatura supera los 43°C.
	La tapa posterior/ el condensador está obstruida/o.	Use un aspirador con un accesorio para limpiar las bobinas del condensador y las rejillas de ventilación. No retire el panel que cubre el área de las bobinas del condensador.

**ENFRIADO**

Problema	Causas posibles	Solutions
La sección del REFRIGERADOR o del CONGELADOR está demasiado caliente.	El refrigerador se instaló recientemente.	Puede tomar hasta 24 horas para que cada compartimiento alcance la temperatura deseada.
	Los conductos de ventilación del aire están bloqueados.	Reorganice los artículos dentro del electrodoméstico para permitir que el aire fluya a través del compartimiento. Consulte el diagrama de Flujo de aire en la sección Uso del refrigerador.
	Las puertas se abren a menudo o por largos períodos de tiempo.	Cada vez que las puertas se abren a menudo o por largos períodos de tiempo, ingresa aire caliente y húmedo al compartimiento. Esto aumenta la temperatura y el nivel de humedad dentro de compartimiento. Para disminuir el efecto, reduzca la frecuencia y duración de apertura de la puerta.
	La unidad está instalada en un lugar caluroso.	No se debería usar el refrigerador si la temperatura supera los 43°C (110°F).
	Se agregó una gran cantidad de alimentos o alimentos calientes al alguno de los compartimientos.	Agregar alimentos calienta el compartimiento, con lo cual se necesita que el sistema de enfriado comience a funcionar. Dejar que la comida caliente se enfríe a temperatura ambiente antes de ponerla en el refrigerador reducirá dicho efecto.
	Las puertas no cierran correctamente.	Consulte el apartado “Las puertas no se cierran completamente o quedan abiertas” en la sección Componentes y Características de la Guía de resolución de problemas.
	El control de temperatura no es el adecuado.	Si la temperatura no está lo suficientemente fría, ajuste el control de a un punto a la vez y espere a que la temperatura se estabilice. Consulte la sección Ajuste de los controles para obtener mayor información.
	El ciclo de descongelación se ha completado recientemente.	Durante el ciclo de descongelación, la temperatura de cada compartimiento puede aumentar ligeramente y se puede formar condensación en la pared trasera. Espere 30 minutos y una vez que se haya completado el ciclo de descongelación, verifique que la temperatura correcta se haya restablecido.
Acumulación de humedad en el interior	Las puertas se abren seguido o por largos períodos de tiempo.	Cada vez que las puertas se abren seguido o por largos períodos de tiempo, ingresa aire caliente y húmedo al compartimiento. Esto aumenta la temperatura y el nivel de humedad dentro de compartimiento. Para disminuir el efecto, reduzca la frecuencia y duración de apertura de la puerta.
	Las puertas no cierran correctamente.	Consulte el apartado “Las puertas no se cierran correctamente” en la sección Guía para la solución de problemas.
	El clima es húmedo.	El clima húmedo hace que más humedad ingrese a los compartimientos cuando se abren las puertas, provocando condensación o congelación. Mantener un nivel razonable de humedad en el hogar ayudará a controlar la cantidad de humedad que ingresa en los compartimientos.
	El ciclo de descongelación se acaba de completar.	Durante el ciclo de descongelación, la temperatura de cada compartimiento puede aumentar ligeramente y se puede formar condensación en la pared trasera. Espere 30 minutos y una vez que se haya completado el ciclo de descongelación, verifique que la temperatura correcta se haya restablecido.
	Los alimentos no están empaquetados correctamente.	Los alimentos destapados o desenvueltos y los envases húmedos pueden provocar la acumulación de humedad dentro de cada compartimiento. Limpie y seque todos los envases, y almacene los alimentos en empaques sellados para prevenir la condensación y la congelación.

ENFRIADO/ HIELO Y AGUA

Problema	Causas posibles	Solutions
Los alimentos se congelan en el compartimiento del refrigerador.	Alimentos con alto contenido de agua fueron colocados cerca de la ventilación de aire.	Reubique los alimentos con alto contenido de agua lejos de las ventilaciones de aire.
	El control de temperatura del refrigerador está incorrectamente ajustado.	Si la temperatura está demasiado fría, ajuste el control de a un punto a la vez y espere a que la temperatura se estabilice. Consulte la sección Ajuste de los controles para obtener mayor información.
	El refrigerador está instalado en un lugar frío.	Cuando el refrigerador funciona a una temperatura menor a los 5°C (41°F), los alimentos pueden congelarse en el compartimiento del refrigerador. No se debería usar el refrigerador si la temperatura es inferior a los 13°C (55°F).
Se forman cristales de hielo o escarcha en los alimentos congelados (fuera de los paquetes).	La puerta se abre seguido o por largos períodos de tiempo.	Cada vez que las puertas se abren a menudo o por largos períodos de tiempo, ingresa aire caliente y húmedo al compartimiento. Esto aumenta la temperatura y el nivel de humedad dentro de compartimiento. La humedad produce congelación y condensación. Para disminuir el efecto, reduzca la frecuencia y duración de apertura de la puerta.
	La puerta no se cierra correctamente.	Consulte el apartado “Las puertas no se cierran completamente o quedan abiertas” en la sección de la Guía de resolución de problemas.
La sección del REFRIGERADOR o del CONGELADOR está demasiado fría.	Los ajustes de control de temperatura son incorrectos.	Si la temperatura está demasiado fría, ajuste el control de a un punto a la vez y espere a que la temperatura se estabilice. Consulte la sección Ajuste de los controles para obtener mayor información.
Se forman cristales de hielo o escarcha en los alimentos congelados (dentro de paquetes sellados).	La condensación proveniente de los alimentos con alto contenido de agua provoca la congelación en el interior del paquete del alimento.	Esto es normal en alimentos con alto contenido de agua.
	Los alimentos se han dejado en el congelador por un largo tiempo.	No almacene alimentos con alto contenido de agua en el congelador durante mucho tiempo.
La máquina de hielo no hace suficiente hielo.	La necesidad de hielo excede la capacidad de almacenamiento de hielo.	La máquina de hielo fabricará aproximadamente 70-182 cubitos en un período de 24 horas.
	El suministro de agua del hogar no está conectado, la válvula no está completamente encendida, o la válvula está obstruida.	Conecte el refrigerador al suministro de agua fría con adecuada presión y abra completamente la válvula de corte de agua.  Si el problema persiste, puede ser necesario contactar a un plomero.
	El filtro de agua está agotado.	Se recomienda reemplazar el filtro de agua: <ul style="list-style-type: none"> <li>• Aproximadamente cada seis meses.</li> <li>• Cuando se encienda el indicador del filtro del agua.</li> <li>• Cuando disminuya el caudal del dispensador de agua.</li> <li>• Cuando los cubitos de hielo sean más pequeños de lo normal.</li> </ul>
	Baja presión de suministro de agua en el hogar.	La presión del agua debe estar entre los 20 y los 120 psi en modelos sin filtro de agua, y entre los 40 y 120 psi en modelos con filtro de agua.  Si el problema continúa, puede ser necesaria la ayuda de un fontanero o la instalación de una bomba de carga para compensar la baja presión del agua.
	Se utilizar un sistema de filtración de agua de ósmosis inversa.	Los sistemas de filtración de agua de ósmosis inversa pueden reducir la presión de agua por debajo del mínimo y provocar problemas en la máquina de hielo. (Consulte la sección Presión del agua).
	La tubería que conecta el refrigerador al suministro del hogar está retorcida.	La tubería se puede retorcer cuando el refrigerador se mueve durante la instalación o limpieza, lo que provoca un flujo de agua reducido. Enderece o repare el conducto de suministro del agua y arréglole a fin de prevenir futuras torceduras.

**HIELO Y AGUA**

Problema	Causas posibles	Solutions
La máquina de hielo no hace suficiente hielo (continuación).	Las puertas se abren seguido o por largos períodos de tiempo.	Si las puertas de la unidad se abren a menudo, el aire ambiental calentará el refrigerador e impedirá que la unidad pueda mantener la temperatura establecida. Para ayudar a resolver este problema puede bajar la temperatura del refrigerador, además de no abrir la puerta con tanta frecuencia.
	Las puertas no están completamente cerradas.	Si las puertas no se cierran correctamente, la fabricación de hielo se verá afectada. Para obtener mayor información, consulte el apartado "Las puertas no se cierran completamente o quedan abiertas" en la sección Componentes y Características de la Guía de resolución de problemas.
	El ajuste de temperatura del congelador es demasiado cálido.	La temperatura recomendada para el compartimento del congelador para una fabricación normal de hielo es de $-18^{\circ}\text{C}$ ( $0^{\circ}\text{F}$ ). Si la temperatura del congelador es superior, la fabricación de hielo se verá afectada.
La máquina de hielo no hace hielo.	El refrigerador se instaló recientemente o la máquina de hielo se conectó recientemente.	Puede tomar hasta 24 horas para que cada compartimento alcance la temperatura deseada y para que la máquina de hielo comience a fabricar hielo.
	La máquina de hielo no está encendida.	Localice el interruptor ON/OFF (encendido/apagado) de la máquina de hielo y confirme que está en la posición ON.
	El refrigerador no está conectado a un suministro de agua o la válvula de corte del suministro no está abierta.	Conecte el refrigerador al suministro de agua y abra completamente la válvula de corte de agua.
	Apagado de la máquina de hielo (brazo palpador) obstruido.	Si su máquina de hielo viene equipada con un brazo de corte de hielo, asegúrese de que el brazo se mueva libremente.
	Tiene conectado un sistema de filtración de agua de ósmosis inversa al suministro de agua fría.	Los sistemas de filtración de agua de ósmosis inversa pueden reducir la presión de agua por debajo del mínimo y provocar problemas en la máquina de hielo. (Consulte la sección Presión del agua).
El hielo huele o sabe mal.	El suministro de agua contiene minerales tales como el azufre.	Es posible que deba reemplazar el filtro de agua para eliminar los problemas de olor y sabor.  NOTA: En algunos casos, un filtro podría no ser de ayuda. Puede no resultar posible quitar todo mineral/ olor/sabor en todos los suministros de agua.
	La máquina de hielo se instaló hace poco tiempo.	Deseche las primeras tandas de hielo para evitar hielo manchado o con mal sabor.
	El hielo ha estado almacenado por demasiado tiempo.	El hielo almacenado por demasiado tiempo se achicará, se volverá turbio, y puede desarrollar un sabor rancio. Deseche el hielo antiguo y fabrique un nuevo suministro.
	Los alimentos no se han almacenado correctamente en los compartimentos.	Vuelva a envolver los alimentos. Vuelva a envolver los alimentos ya que, si no están correctamente envueltos, los olores podrían migrar hasta el hielo.
	El interior del refrigerador necesita una limpieza.	Consulte la sección Cuidado y limpieza para obtener más información.
	El depósito de hielo necesita una limpieza.	Vacíe y limpie el depósito (deseche los cubitos de hielo viejos). Asegúrese de que el depósito está completamente seco antes de reinstalarlo.
La máquina de hielo hace demasiado hielo.	Apagado de la máquina de hielo (brazo palpador) obstruido.	Vacíe el recipiente de hielo. Si la máquina de hielo incorpora un brazo de apagado, asegúrese de que se mueva libremente. Vuelva a instalar el recipiente de hielo y espere 24 horas para comprobar su correcto funcionamiento.

Problema	Causas posibles	Solutions
Clics	El control de descongelación emitirá un “clic” al comenzar y al finalizar el ciclo de descongelación. El control del termostato (o control del refrigerador en algunos modelos) también emitirá un “clic” al iniciar o finalizar un ciclo.	Funcionamiento normal.
Traqueteo	Los ruidos de traqueteos pueden proceder del flujo del refrigerante, de la tubería de agua en la parte posterior de la unidad, o de artículos almacenados encima o alrededor del refrigerador.	Funcionamiento normal.
	El refrigerador no está sólidamente apoyado en el suelo.	El suelo es poco sólido o irregular, o es necesario ajustar los pies de nivelación. Consulte la sección Alineación de las puertas.
	El refrigerador con compresor lineal se sacudió mientras estaba funcionando.	Funcionamiento normal.
Ruido de aspas	El motor del ventilador del evaporador está moviendo el aire a través de los compartimentos del refrigerador y del congelador.	Funcionamiento normal.
	El ventilador del condensador está forzando el paso de aire a través del condensador.	Funcionamiento normal.
Borboteo	Refrigerante está fluyendo a través del sistema de enfriamiento.	Funcionamiento normal.
Crujido	Se produjo la contracción y expansión de las paredes internas debido a cambios en la temperatura.	Funcionamiento normal.
Crepitación	El agua cayendo en el calentador de descongelación durante un ciclo de descongelación.	Funcionamiento normal.
Vibración	Si el lateral o la parte posterior del refrigerador están en contacto con un mueble o una pared, algunas de las vibraciones normales pueden producir un sonido audible.	Para eliminar el ruido, asegúrese de que los laterales y la parte posterior no puedan vibrar contra las paredes o los muebles.
Goteo	El agua cayendo en la batea de drenaje durante el ciclo de descongelación.	Funcionamiento normal.
Sonido de pulsación o agudo	Su refrigerador está diseñado para funcionar de forma más eficiente para conservar los alimentos a la temperatura deseada. El compresor de alta eficiencia puede hacer que su nuevo refrigerador funcione durante más tiempo que su antiguo refrigerador, y aun así será más eficiente energéticamente que los modelos anteriores. Mientras el refrigerador está en funcionamiento, es normal escuchar un sonido de pulsación o agudo.	Funcionamiento normal.

COMPONENTES Y CARACTERÍSTICAS

Problema	Causas posibles	Solutions
Las puertas no se cierran completamente o quedan abiertas.	Hay paquetes de alimentos bloqueando la puerta que impiden que se cierre.	Reorganice los envases de alimentos para liberar la puerta y los estantes de la puerta.
	El depósito de hielo, la tapa del cajón para verduras, las bateas, los estantes, las bandejas de las puertas o las cestas no están en su sitio.	Coloque correctamente las bandejas, la tapa del cajón para verduras, las bateas, los estantes y las cestas. Consulte la sección Uso del refrigerador.
	Las puertas se desmontaron durante la instalación del producto y no se volvieron a colocar correctamente.	Desmunte y vuelva a colocar las puertas siguiendo las instrucciones de la sección Desmontaje y sustitución de las manijas y puertas del refrigerador.
	La puerta no está correctamente nivelada.	Consulte el apartado Alineación de las puertas en la sección Instalación del refrigerador para nivelar el refrigerador.
Las puertas se abren con gran dificultad.	Las juntas están sucias o pegajosas.	Limpie las juntas y las superficies de contacto. Aplique una fina capa de cera para electrodomésticos o cera de cocina en las juntas después de limpiarlas.
	La puerta se acaba de cerrar.	Cuando abre la puerta, aire más caliente entra al refrigerador. Al enfriarse, crea el vacío. Si le cuesta abrir la puerta, espere un minuto para permitir que la presión del aire se equalice y, a continuación, compruebe si se abre con más facilidad.
El refrigerador se bambolea o parece inestable.	Las patas niveladoras no están correctamente ajustadas.	Consulte la sección Nivelación y alineación de las puertas.
	El piso no está nivelado.	Puede ser necesario agregar calibradores debajo de las patas o rodillos de nivelación o para completar el proceso de instalación.
Las luces no funcionan.	Falla de iluminación interior LED.	La lámpara del compartimiento del refrigerador es una iluminación interior mediante LED, por lo que el mantenimiento deberá ser realizado por un técnico cualificado. Consulte la sección Sustitución de la bombilla.
Le refrigerador tiene un olor inusual.	El filtro de aire puede necesitar ser ajustado a MAX (máximo) o ser reemplazado.	Ajuste el filtro de aire a MAX. Si no desaparece el olor dentro de las 24 horas, el filtro puede necesitar ser cambiado. Consulte la sección Sustitución del filtro de aire para obtener instrucciones acerca del reemplazo.
El interior del frigorífico está cubierto de polvo u hollín.	El frigorífico se encuentra cerca de un fuego, por ejemplo, una chimenea o similar.	Asegúrese de que el frigorífico no se encuentre cerca de un fuego, por ejemplo, una chimenea o similar.

## Diagnosics (Diagnósticos)

### Diagnósticos (En algunos modelos)

Si experimenta algún problema en el refrigerador, puede transmitir datos a través de su teléfono al equipo Diagnósticos. Esto le da la posibilidad de hablar directamente con nuestros especialistas cualificados. El especialista graba los datos transmitidos por su máquina y los utiliza para analizar el problema, suministrando un diagnóstico rápido y efectivo.

Si experimenta problemas con su refrigerador, llamar al 1-844-553-6667.

Utilice la función Diagnósticos solo cuando así se lo indique el agente del equipo Diagnósticos. Los sonidos de transmisión que oirá son normales y suenan como un fax.

Diagnósticos no se puede activar si su refrigerador no está conectado a la alimentación eléctrica.

Si su refrigerador no se enciende, la localización y resolución de problemas debe hacerse sin utilizar Diagnósticos.

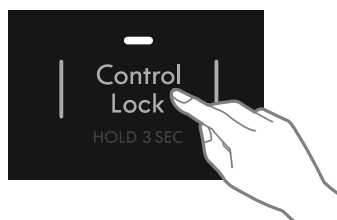
### Uso de Diagnósticos

En primer lugar, llame al 1-844-553-6667.

Si el número de teléfono que está usando ya está registrado y asociado con su refrigerador, podrá contactar rápidamente con un agente del equipo Diagnósticos.

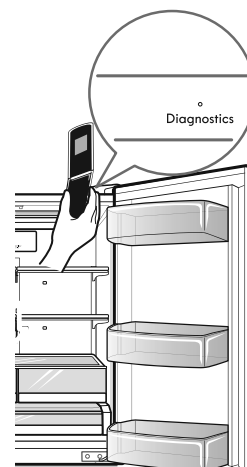
Utilice la función Diagnósticos solo cuando así se lo indique el agente del equipo Diagnósticos.

1. Bloquee la pantalla. Para bloquear la pantalla, mantenga pulsado el botón de bloqueo Control Lock durante tres segundos (Si la pantalla está bloqueada, reactivéla)

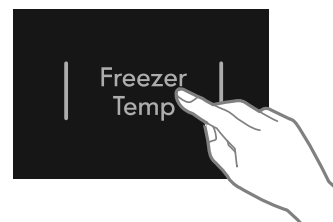


2. Abra la puerta derecha del refrigerador.

3. Sujete el auricular del teléfono delante del altavoz situado sobre la bisagra derecha de la puerta del refrigerador, cuando así se lo indique el centro de atención.



4. Mantenga pulsado el botón de temperatura del congelador Freezer Temp durante tres segundos con el teléfono junto al altavoz.



5. Tras oír tres pitidos, suelte el botón de temperatura del congelador Freezer Temp.
6. Mantenga el teléfono en posición hasta que finalice el tono de transmisión. La pantalla mostrará el tiempo transcurrido. Al finalizar la cuenta atrás y detenerse los tonos, reanude su conversación con el especialista, quien estará entonces en medida de asistirle utilizando la información transmitida para su análisis.

#### NOTA:

- Para lograr los mejores resultados, no mueva el teléfono mientras se transmiten los tonos.
- Si el agente del servicio telefónico de atención al cliente no puede grabar los datos con precisión, se le pedirá volver a intentarlo.

# Kenmore®

## Customer Care Hotline

To schedule in-home repair service  
or order replacement parts

Para pedir servicio de reparación  
a domicilio, y ordenar piezas

# 1-844-553-6667

[www.kenmore.com](http://www.kenmore.com)

