



Canfield™

A Kichler® Select® ceiling fan



Kichler Lighting
7711 East Pleasant Valley Road
P.O. Box 310010
Cleveland, Ohio 44131-9010

Customer Service
888.558.5706
8:30 AM to 5:00 PM EST,
Monday - Friday

Instruction Manual

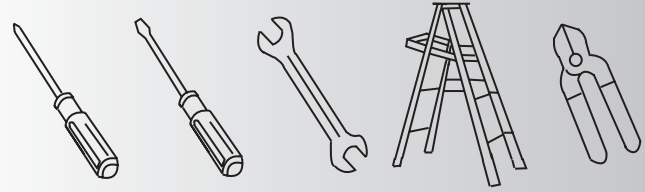


1. SAFETY RULES

1. To reduce the risk of electric shock, insure electricity has been turned off at the circuit breaker or fuse box before beginning.
 2. All wiring must be in accordance with the National Electrical Code and local electrical codes. Electrical installation should be performed by a qualified licensed electrician.
 3. **WARNING:** Suitable for use with solid-state speed controls.
 4. **WARNING:** To reduce the risk of personal injury, use only the two steel screws (and lock washers) provided with the outlet box for mounting to the outlet box. Most outlet boxes commonly used for the support of lighting fixtures are not acceptable for fan support and may need to be replaced, consult a qualified electrician if in doubt.
- WARNING**
TO REDUCE THE RISK OF FIRE, ELECTRIC SHOCK OR PERSONAL INJURY, MOUNT FAN TO OUTLET BOX MARKED "ACCEPTABLE FOR FAN SUPPORT".
5. The outlet box and support structure must be securely mounted and capable of reliably supporting a minimum of 50 pounds. Use only CUL Listed outlet boxes marked "FOR FAN SUPPORT".
 6. The fan must be mounted with a minimum of 7 feet clearance from the trailing edge of the blades to the floor.
 7. To operate the reverse function on this fan, press the reverse button while the fan is running.
 8. **WARNING:** Use only with light kit marked "Suitable for Use in Damp Locations".
 9. Avoid placing objects in the path of the blades.
 10. To avoid personal injury or damage to the fan and other items, be cautious when working around or cleaning the fan.
 11. Do not use water or detergents when cleaning the fan or fan blades. A dry dust cloth or lightly dampened cloth will be suitable for most cleaning.
 12. After marking electrical connections, spliced conductors should be turned upward and pushed carefully up into outlet box. The wires should be spread apart with the grounded conductor and the equipment-grounding conductor on one side of the outlet box.
 13. Electrical diagrams are reference only. Light kits that are not packed with the fan must be CUL Listed and marked suitable for use with the model fan you are installing. Switches must be CUL General Use Switches. Refer to the Instructions packaged with the light kits and switches for proper assembly.
- WARNING**
TO REDUCE THE RISK OF PERSONAL INJURY, DO NOT BEND THE BLADE BRACKETS (ALSO REFERRED TO AS FLANGES) DURING ASSEMBLY OR AFTER INSTALLATION. DO NOT INSERT OBJECTS IN THE PATH OF THE BLADES.

2. TOOLS AND MATERIALS REQUIRED

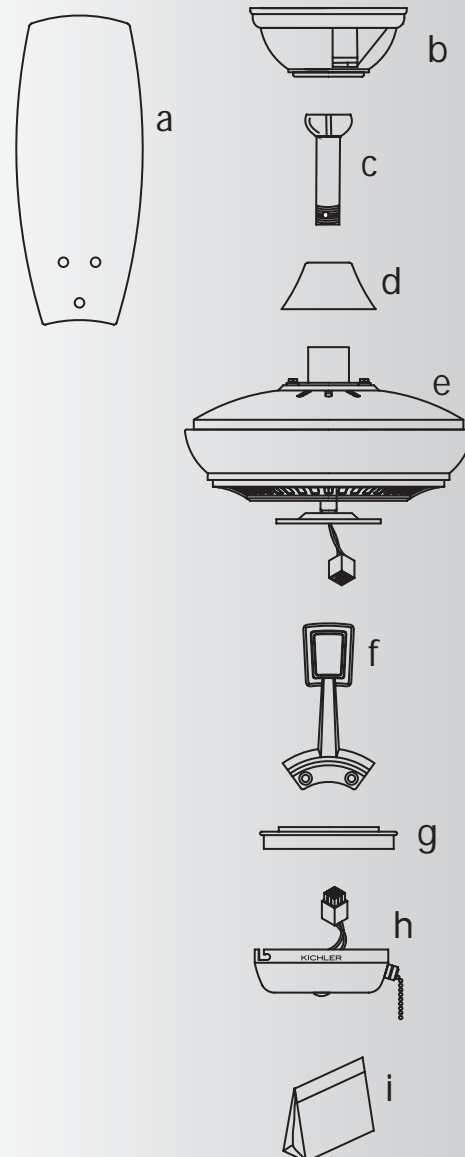
- Philips screw driver
- Blade screw driver
- 11 mm wrench
- Step ladder
- Wire cutters

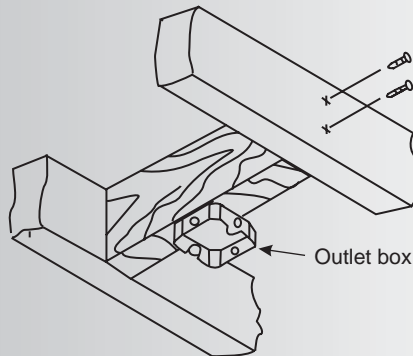
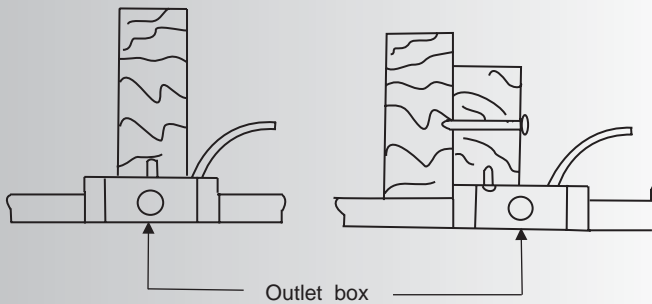
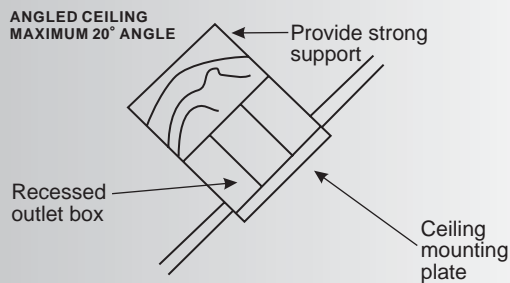
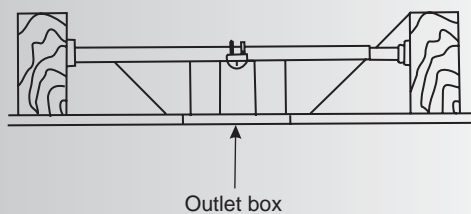


3. PACKAGE CONTENTS

Unpack your fan and check the contents. You should have the following items:

- a. Fan blades (5)
- b. Hanger bracket and canopy
- c. Ball/downrod assembly
- d. Coupling cover
- e. Fan motor assembly
- f. Set of blades brackets (5)
- g. Mounting plate
- h. Switch housing
- i. Part bag contents
 - 1) Mounting hardware :
wood screws (2), flat washers (2),
star washers (2), wire nuts (3)
 - 2) Blade attachment hardware:
screws (17), washers (17),
rubber washers (17)
 - 3) Blade brackets hardware:
screws (10)
 - 4) Safety cable hardware:
wood screw, lock washer, flat washer
 - 5) Close mount hardware:
screw with lock washers (3)
 - 6) Pull chain and fob
 - 7) Balance Kit




Fig. 1

Fig. 2

Fig. 3

Fig. 4

4. MOUNTING OPTIONS

If there isn't an existing UL (CUL for Canadian Installation) listed mounting box, then read the following instructions. Disconnect the power by removing fuses or turning off circuit breakers

Secure the outlet box directly to the building structure. Use appropriate fasteners and building materials. The outlet box and its support must be able to fully support the moving weight of the fan (at least 50 lbs). Do not use plastic outlet boxes.

Figures 1,2 and 3 are examples of different ways to mount the outlet box.

NOTE: You may need a longer downrod to maintain proper blade clearance when installing on a steep, sloped ceiling. (Fig. 3)

To hang your fan where there is an existing fixture but no ceiling joist, you may need an installation hanger bar as shown in Fig 4.

5. HANGING THE FAN

REMEMBER to turn off the power. Follow the steps below to hang your fan properly. **NOTE:** This ceiling fan is supplied with two types of hanging assemblies; the standard ceiling installation using the downrod with ball and socket mounting and the "close-to-ceiling" installation. The "close-to-ceiling" installation is recommended in rooms with less than 8-foot ceilings or in areas where additional space is desired from the floor to the fan blades. When using the standard 6" downrod, the distance from the ceiling to the bottom of the fan blades will be approximately 10 inches. The "close-to-ceiling" installation reduce this distance to 8-inches. Once you have selected which mounting system you will use, proceed with the following instructions. Where necessary, each section of the instructions will note the different procedures to follow for the two types of mounting.

STANDARD CEILING INSTALLATION

1. Remove the canopy ring from the canopy. (Fig. 5)
2. Remove the hanger bracket from the canopy by loosening the four screws on the top of the canopy. Remove the two non-slotted screws and loosen the slotted screws. This will enable you to remove the hanger bracket. (Fig. 5)
- Step 3. Secure the hanger bracket to the ceiling outlet box using screws and washers included with your outlet box. (Fig. 6)
- Step 4. Remove hanger ball from downrod assembly by loosening set screws, removing the cross pin, and sliding ball off rod. (Fig. 7)
- Step 5. Loosen the two set screws and remove the hitch pin and lock pin from the top coupling of the motor assembly. (Fig. 8)

Step 6. Carefully feed the fan wires up through the downrod. Thread the downrod into the coupling until the Hitch pin holes are aligned. Next, replace the lock clip and hitch pin then tighten the set screws. (Fig. 8)

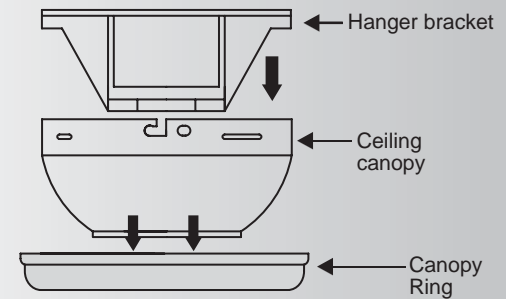


Fig. 5

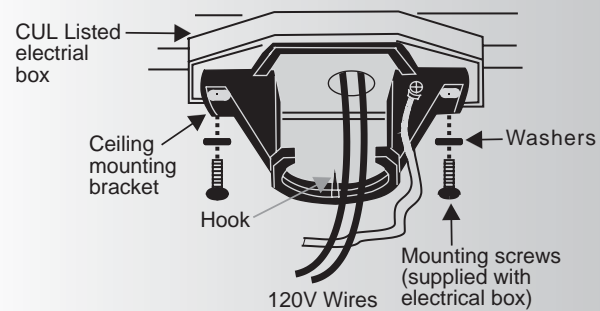


Fig. 6

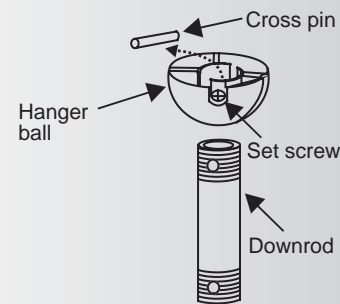


Fig. 7

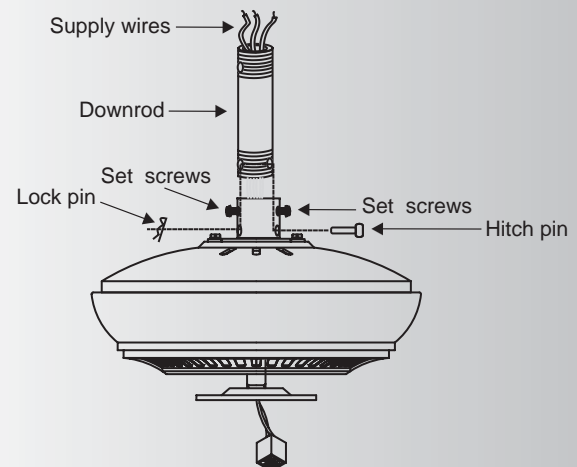
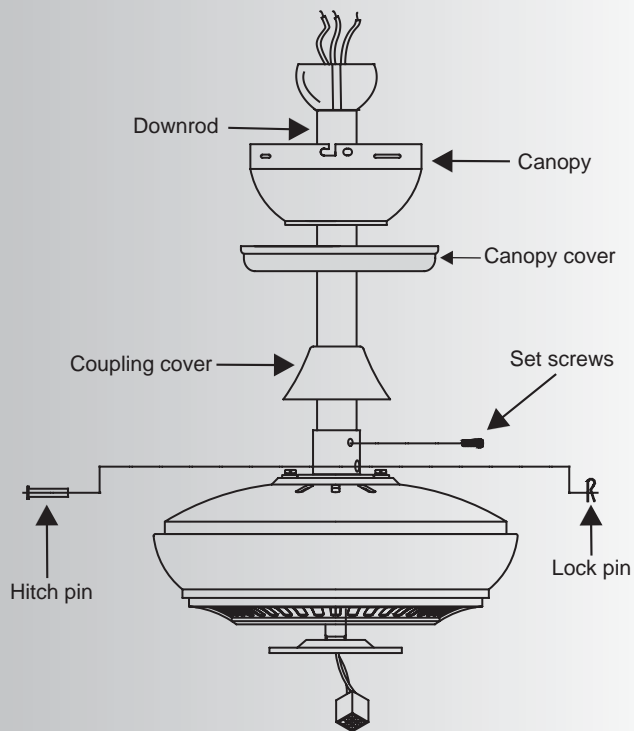
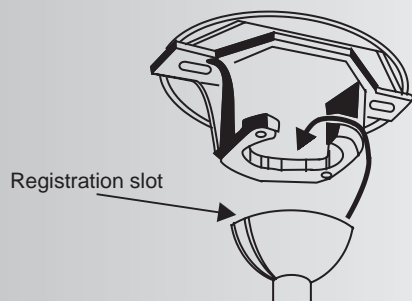


Fig. 8


Fig. 9

Fig. 10

Step 7. Slip coupling cover, canopy ring and canopy onto downrod. Carefully reinstall hanger ball onto rod being sure that cross pin is in correct position, the set screw on hanger ball is tight and wires are not twisted. (Fig. 9)

Step 8. Now lift the motor assembly into position and place the hanger ball into the hanger bracket. Rotate until the "Check Tab" has dropped into the "Registration Slot" and seats firmly. (Fig. 10). The entire motor assembly should not rotate if this is done correctly.

CLOSE-TO-CEILING INSTALLATION

1. Remove the decorative canopy cover from the canopy. (Fig. 11)
2. Pass the 120-volt supply wires through the center hole in the ceiling hanger bracket as shown in Fig. 6.
3. Secure the hanger bracket to the ceiling outlet box with the screws and washers provided with your outlet box. (Fig. 6)
4. Tighten the two screws on the outlet box securely.
5. Place the rubber gasket over the remaining three screws, route the wires exiting the top of the fan motor through the canopy ring (make sure the slot openings of the ring are on top). then proceed to place the ceiling canopy over the collar at the top of the motor. Align the mounting holes with the holes in the motor and fasten using the screws and lock washers provided. (Fig. 12).
6. Tighten the mounting screws securely. (Fig. 12)

WARNING: Failure to completely tighten the three screws in step 6 could result in fan loosening and possibly falling.

7. Hang the fan on the hook of the hanger bracket. Be certain that the canopy is fully locked into hook as shown in Fig. 13.

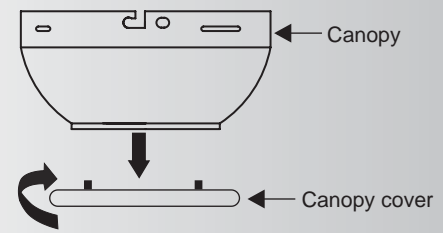


Fig. 11

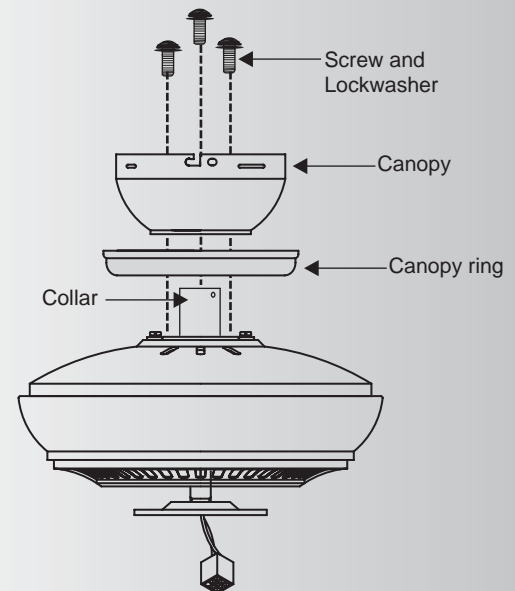


Fig. 12

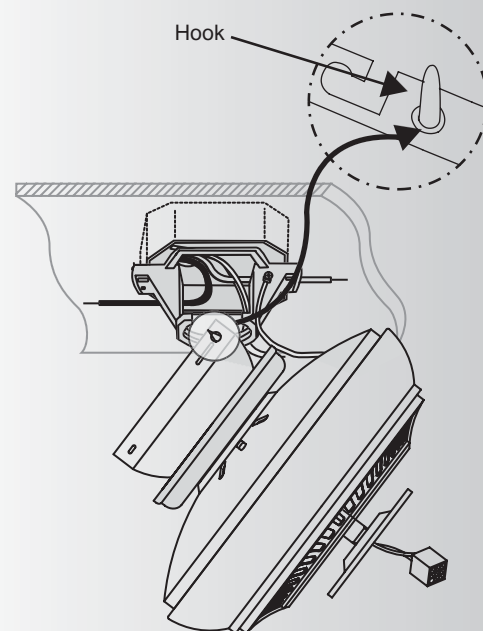


Fig. 13

6. INSTALLATION OF SAFETY SUPPORT (for Canadian Installation ONLY)

An additional safety support is provided to prevent the fan from falling fan). Place the end of cable through the loop of ceiling support cable. Pull as much cable through loop as possible. Feed end of cable into clamp hole and firmly tighten screw (Fig. 14). Cut off excess safety cable. Secure the safety cable to the ceiling joist with screw and washer.

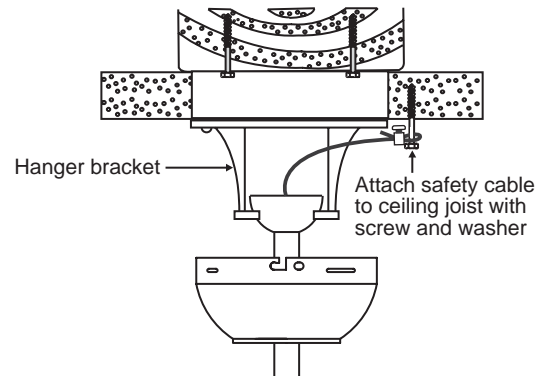


Fig. 14

7. MAKE THE ELECTRIC CONNECTIONS

Remember to disconnect the power. Follow the steps below to connect the fan to your household wiring. Use the wire connecting nuts supplied with your fan. Secure the connectors with electrical tape. Make sure there are no loose strands or connections.

Step 1 Connect the fan supply (black) wire and light supply (blue) wire to the black household supply wire as shown in Figure 15.

Step 2. Connect the neutral fan (white) wire to the white neutral household wire.

Step 3 Connect the fan ground wire (green) to the household ground wire.

Step 4 After connecting the wires, spread them apart so that the green and white wires are on one side of the outlet box and the black and the blue wires are on the other side.

Step 5 Turn the connecting nuts upward and push the wiring into the outlet box.

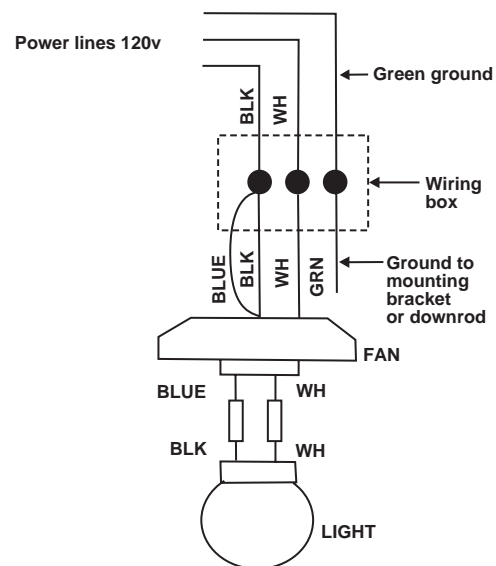


Fig. 15

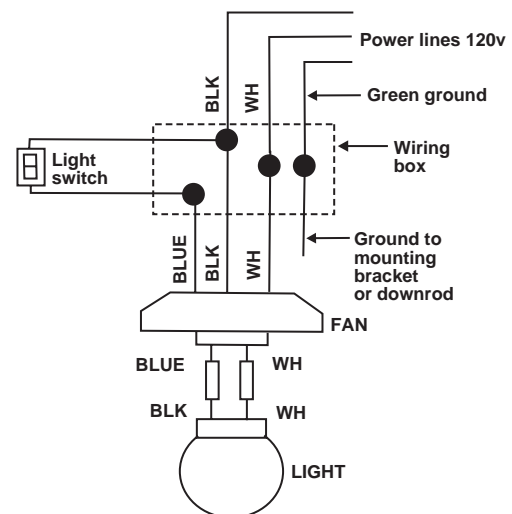


Fig. 16

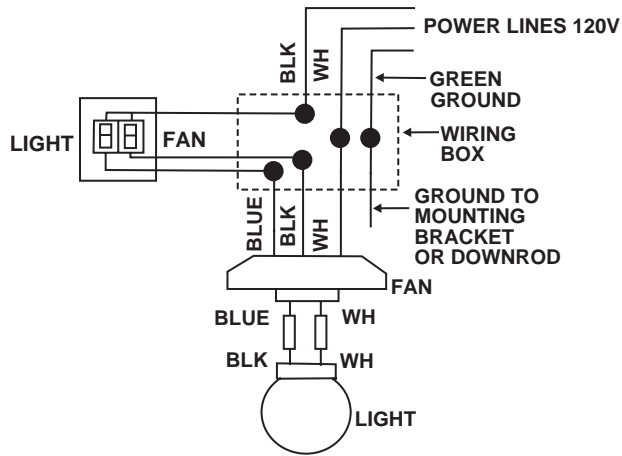


Fig. 17

Figures 16 and 17 illustrate the wiring connections for optional wall control (The wire color out of wall control may vary, see wall control's installation manual for correct wire connections.)

WARNING: TO REDUCE THE RISK OF FIRE, ELECTRIC SHOCK, OR OTHER PERSONAL INJURY. MOUNT FAN ONLY ON AN OUTLET BOX OR SUPPORTING SYSTEM MARKED ACCEPTABLE FOR FAN SUPPORT.

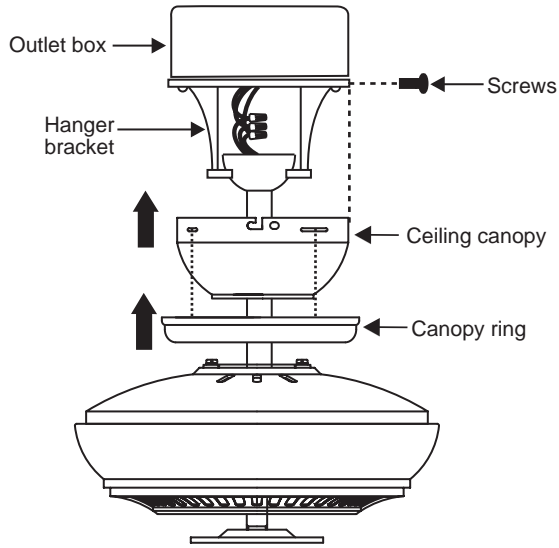


Fig. 18

8. FINISHING THE INSTALLATION

STANDARD CEILING INSTALLATION

Slide canopy up to the ceiling as shown in Fig. 18. Make sure you place the wires safely into the outlet box. Secure the canopy to the hanger bracket with the four screws with your fan. Raise canopy ring up against canopy and secure it to canopy until snug.

CLOSE-TO-CEILING INSTALLATION

Remove the fan from the hook on the hanger bracket. Secure the canopy to the hanger bracket as shown in Fig. 19 with four screws included with your fan. Secure the canopy to the hanger bracket with the four screws with your fan. Raise canopy ring up against canopy and secure it to canopy until snug.

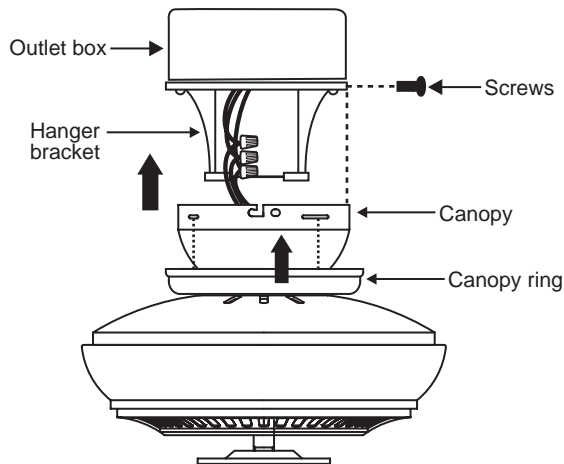


Fig. 19

9. ATTACHING THE FAN BLADES

Caution: Remove 5 rubber packing mounts and discard before installation.

Step 1 Attach the blade to the blade bracket using the screws, washers and rubber washers as shown in Fig. 20. Start screw into bracket. Repeat for the two remaining screws.

Step 2 Make sure the blade is straight and tighten each screw.

Step 3 Fasten blade assembly to motor using "Pre-Installed" mounting screws in the blade bracket.

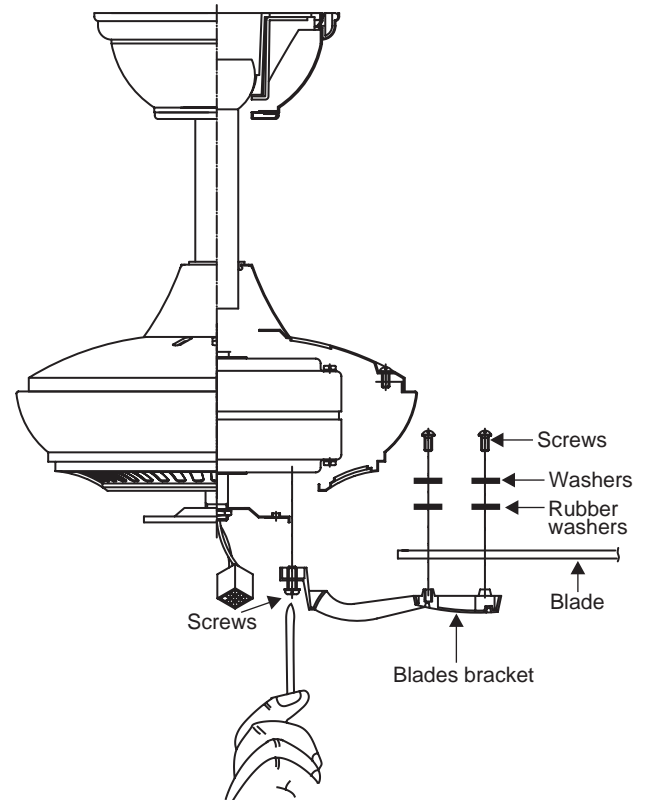


Fig. 20

10. INSTALLING THE MOUNTING PLATE

1. Remove 1 of the 3 screws from the mounting ring and loosen the other 2 screws. (Do not remove)
2. Place the key holes on the mounting plate over the 2 screws previously loosened from the mounting ring, turn mounting plate until it locks in place at the narrow section of the key holes. Secure by tightening the 2 screws previously loosened and the one previously removed. (Fig. 21)

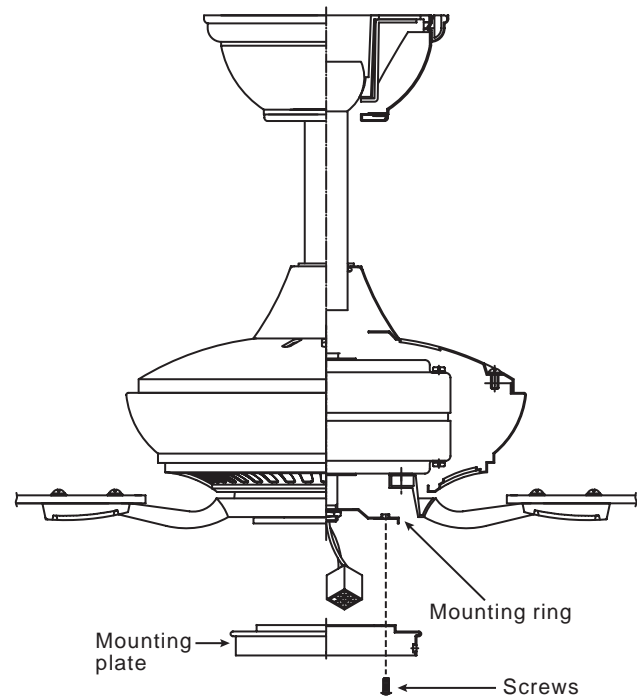


Fig. 21

11. INSTALLING THE SWITCH HOUSING

NOTE: Before starting installation, disconnect the power by turning off the circuit breaker or removing the fuse at fuse box. Turning power off using the fan switch is not sufficient to prevent electric shock.

1. While holding the switch housing under your fan, snap together the wire connection plugs .
2. Carefully push all wires back into the switch housing, then install the switch housing onto the mounting plate with 3 screws provided. Be sure to tighten all screws. (Fig. 22)

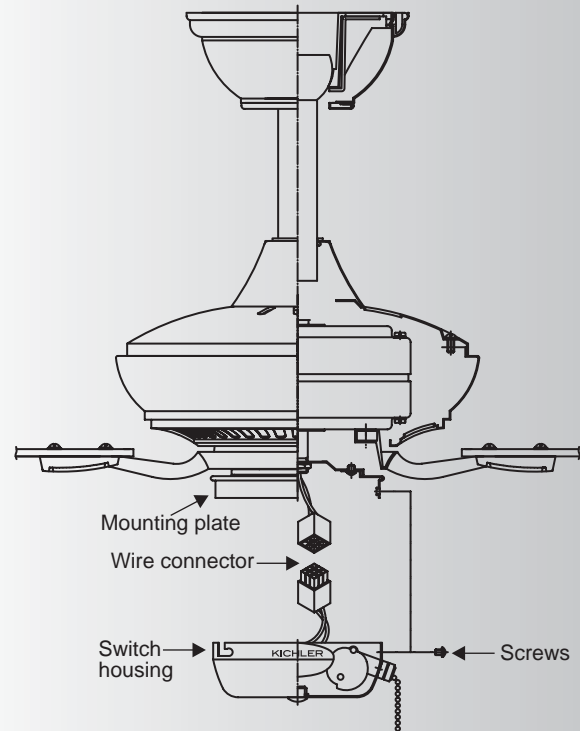
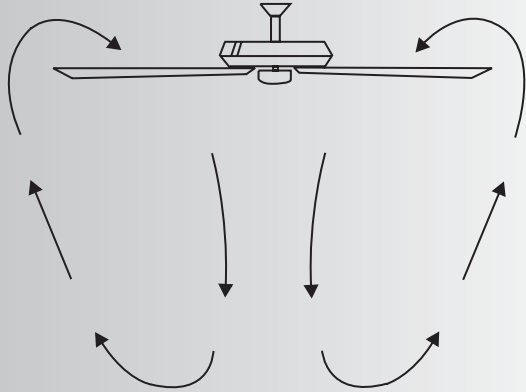
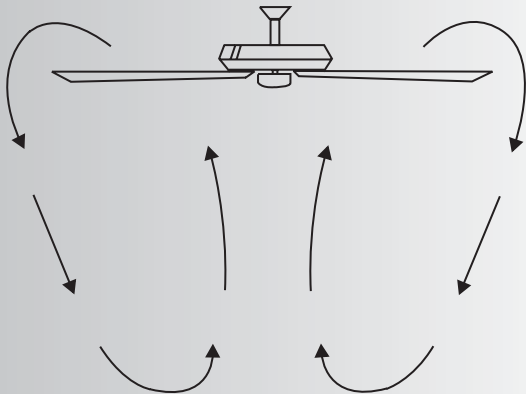


Fig. 22


Fig. 23

Fig. 24

12. OPERATING INSTRUCTIONS

Turn on the power and check the operation of your fan. The pull chain controls the fan speed as follows:

1. 3-speed pull chain- it controls the fan speed as follows: 1 pull- High, 2 pulls- Medium, 3 pulls- Low, and 4 pulls- Off.

Speed settings for warm or cool weather depend on factors such as the room size, ceiling height, number of fans, and so on.

The slide switch controls directions: forward (switch left) or reverse (switch right).

NOTE: Wait for fan to stop before changing the setting of the slide switch.

Warm weather - (Forward) A downward airflow creates a cooling effect as shown in Fig. 23. This allows you to set your air conditioner on a warmer setting without affecting your comfort.

Cool weather - (Reverse) An upward airflow moves warm air off the ceiling area as shown in Fig. 24. This allows you to set your heating unit on a cooler setting without affecting your comfort.

13. TROUBLESHOOTING

Problem	Solution
Fan will not start.	<ol style="list-style-type: none"> 1. Check circuit fuses or breakers. 2. Check line wire connections to the fan and switch wire connections in the switch housing. <p>CAUTION: Make sure main power is off.</p>
Fan sounds noisy.	<ol style="list-style-type: none"> 1. Make sure all motor housing screws are snug. 2. Make sure the screws that attach the fan blade bracket to the motor hub is tight. 3. Make sure wire nut connections are not rubbing against each other or the interior wall of the switch housing. <p>CAUTION: Make sure main power is off.</p> <ol style="list-style-type: none"> 4. Allow a 24-hour "breaking-in" period. Most noise associated with a new fan disappear during this time. 5. If using an optional light kit, make sure the screws securing the glassware are tight. Check that the light bulb is also secure. 6. Some fan motors are sensitive to signals from solid-state variable speed controls. If you have installed this type of control, choose and install another type of control. 7. Make sure the upper canopy is a short distance from the ceiling. It should not touch the ceiling.
Fan wobble.	<ol style="list-style-type: none"> 1. Check that all blade and blade arm screws are secure. 2. Most fan wobbling problems are caused when blade levels are unequal. Check this level by selecting a point on the ceiling above the tip of one of the blades. Measure this distance.(Fig. 21) Rotate the fan until the next blade is positioned for measurement. Repeat for each blade. The distance deviation should be equal within 1/8". 3. Use the enclosed Blade Balancing Kit if the blade wobble is still noticeable. 4. If the blade wobble is still noticeable, interchanging two adjacent (side by side) blades can redistribute the weight and possibly result in smoother operation. <p>WARNING: TO REDUCE THE RISK OF PERSONAL INJURY, DO NOT BEND THE BLADE ARM WHILE INSTALLING, BALANCING THE BLADES, OR CLEANING THE FAN. DO NOT INSERT FOREIGN OBJECTS BETWEEN ROTATING FAN BLADES.</p>

14. SPECIFICATIONS

Fan Size	Speed	Volts	Amps	Watts	RPM	CFM	CFM/W	N.W.	G.W.	C.F.
30"	High	120	0.30	39	227	2920.53	74.89	Xx kgs	Xx kgs	xxx'
	Medium	120	0.24	28	180	2306.57	82.38			
	Low	120	0.18	18	140	1798.77	99.93			

These are approximate measures. They do not include Amps and Wattage used by the light kit.