



Read and Save These Instructions
All Hoods Must Be Installed By A Qualified Installer

INSTALLATION INSTRUCTIONS

EUROLINE/EUROLINE PRO

ISLAND RANGE HOOD

Read All Instructions Thoroughly Before Beginning Installation

WARNING - TO REDUCE THE RISK OF FIRE, ELECTRIC SHOCK, OR INJURY TO PERSONS, OBSERVE THE FOLLOWING:

- A. Installation work and electrical wiring must be done by qualified person(s) in accordance with all applicable codes and standards, including fire-rated construction. Switch power off at service panel and lock the service disconnecting means to prevent power from being switched on accidentally during installation.**
- B. When cutting or drilling into wall or ceiling, do not damage electrical wiring and other hidden utilities.**
- C. Ducted fans must always be vented to the outdoors.**
- D. Sufficient air is needed for proper combustion and exhausting of gases through the flue (chimney) of fuel burning equipment to prevent back drafting. Follow the heating equipment manufacturer's guideline and safety standards such as those published by the National Fire Protection Association (NFPA), and the American Society for Heating, Refrigeration and Air Conditioning Engineers (ASHRAE), and local code authorities.**
- E. ASHRAE residential ventilation standard 62.2 limits exhaust fans (total) to a maximum of 15 CFM per 100 square feet of occupiable space, unless a back drafting test is performed or make-up air is provided. Consult a local HVAC engineer for make-up air evaluation.**

WARNING - TO REDUCE THE RISK OF FIRE, USE ONLY METAL DUCTWORK



Vent-A-Hood®

Ducting Do's and Don'ts

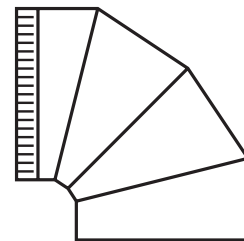
NEVER restrict the duct size. The island dual blower unit (T200) requires 8" round duct or equivalent (50 square inches). The island cluster blower unit (T400) requires 12" round or equivalent (113 square inches). Using the included Vent-A-Hood transition will ensure proper efficiency.

Blower	Duct Size	Sq. Inch Area	Vent-A-Hood Transition
Island Dual (T200)	8" round or equivalent	50"	VP565 (Included)
Island Cluster Blower (T400)	12" round or equivalent	113"	VP564 (Included)

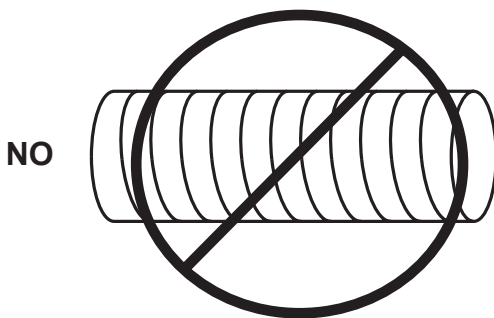
Do not use flexible or corrugated duct. This type of duct will restrict airflow and reduce performance. Only use smooth, galvanized, metal duct. Observe local codes regarding special duct requirements and placement of duct against combustibles. Make the duct run as short and as straight as possible with as few turns as possible. Avoid sharp-angled turns. Instead, use smooth, gradual turns such as adjustable elbows or 45 degree angled turns. For duct runs over 20 feet, increase the duct diameter by one inch for every ten feet of duct. A 90 degree elbow is equal to 5 feet of duct. Using Vent-A-Hood roof jacks or wall louvers (back page) will ensure proper efficiency. Airflow must not be restricted at the end of the duct run. Do not use screen wire or spring-loaded doors on wall louvers or roof jacks. Do not terminate venting into an attic or chimney. Where possible, seal joints with duct tape. The hood must be ducted to the outdoors without restrictions.



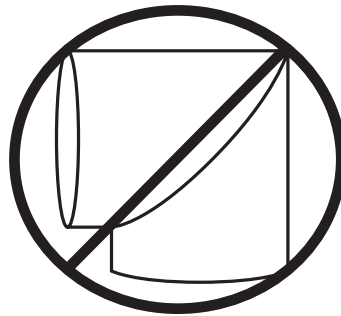
Smooth Duct



Smooth Gradual Turn



Flexible Duct

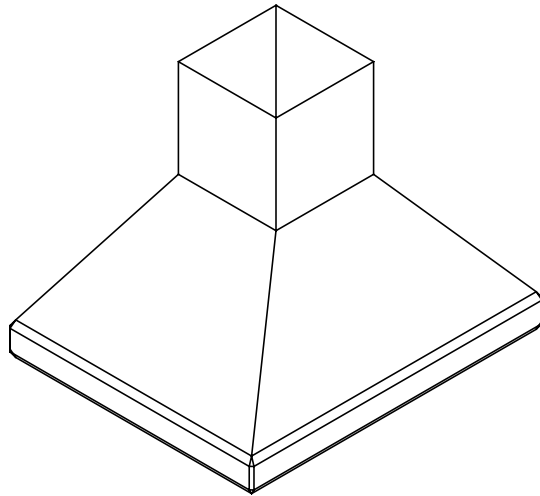


Sharp Angled Turns

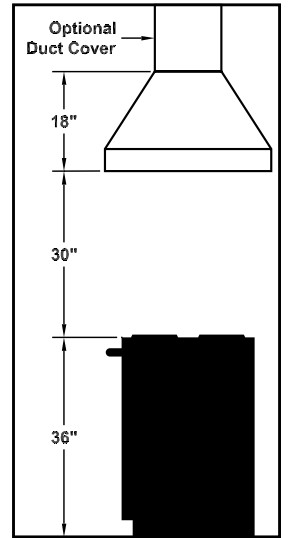
Vent-A-Hood®

Installation Details

- 1) Read all instructions thoroughly before beginning installation. Note: These instructions apply to standard hoods only. Custom hoods may require additional specification consideration.
- 2) When installing an island range hood, it is recommended that the bottom edge of the hood be located no more than 30" above the cooking surface. Exceeding recommended mounting height may compromise performance.

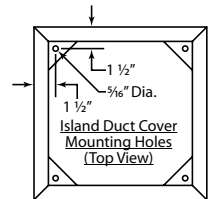


Shown with duct cover installed (sold separately).



- 3) Load-bearing framework in the ceiling is necessary for the installation of an island hood. Additional framework construction may be required. Do not attach an island hood to a structure that cannot support twice the weight of the hood.

If applicable, remove the duct cover from its packaging and remove the hood-mounting screws from the base of the duct cover. Install the duct cover to the load-bearing framework in the ceiling using appropriate hardware through the four inside corner mounting flanges on the top of the duct cover.



- 4) Install the duct from the outside of the home down to the location of the exhaust outlet on the top of the transition plus 1". This will allow the transition to engage 1" inside of the duct. Consult the connection diagrams (on next page) for further details on exhaust outlet placement.

Use duct tape to seal all joints. A complete listing of available Vent-A-Hood ducting materials is listed on the back page of this instruction sheet.

Transition heights are as follows:

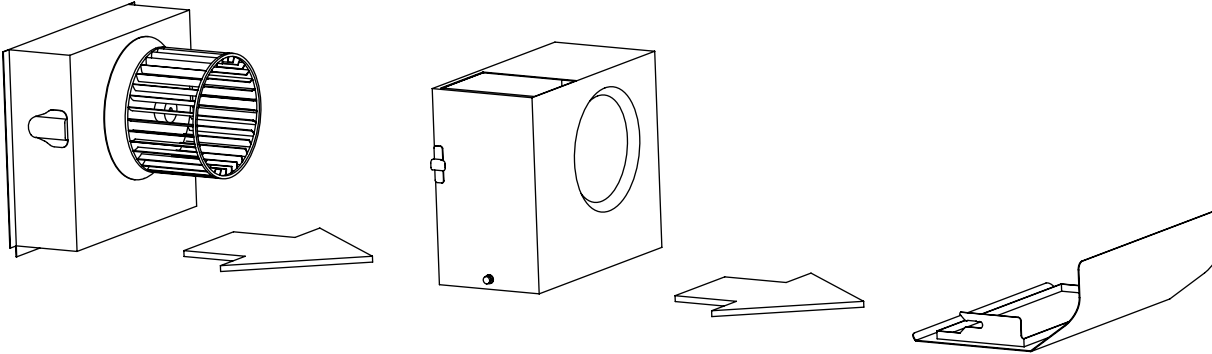
Island Dual Blower (T200): 8" round duct connects to 9" tall VP565 transition (included).

Island Cluster Blower (T400): 12" round duct connects to 11 1/4" tall VP564 transition (included).

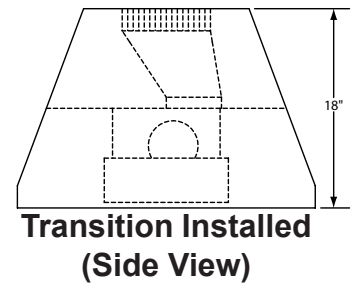
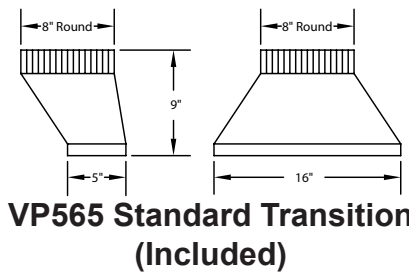
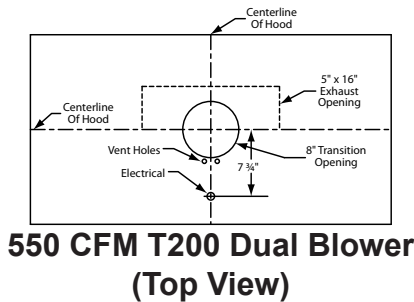
- 5) Prepare a protective surface on the floor or countertop for the hood. Remove the hood from its packaging and place it upside-down on the protective surface for access to the inside of the hood.

Installation Details Continued

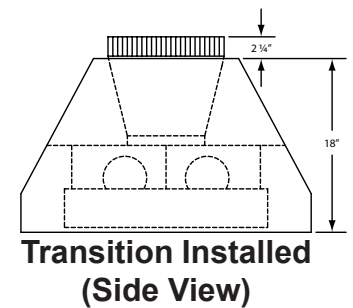
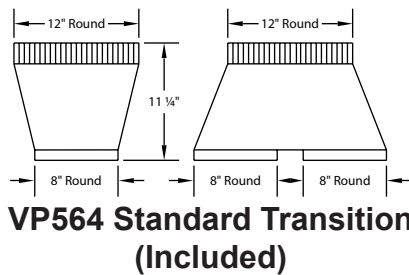
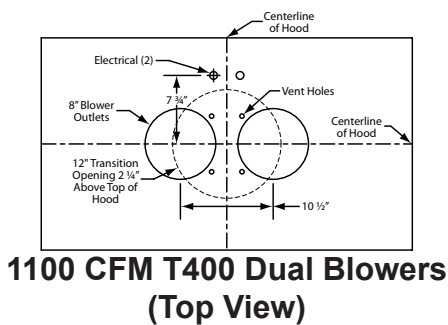
- 6) Remove the shipping tape that is securing the E-Z Clean shields inside the hood. Remove the E-Z Clean shields by lightly pulling each toward the end of the hood. Gently close the back draft dampers from the top side of the hood. To remove the blower housings, unsnap the suitcase latches (one on each side of the housing). The housings should be pulled forward and gently “tipped” to clear the blower wheels and then out of the hood.



Connection Diagram (36" - 48" Widths)



Connection Diagram (48" - 66" Widths)



Warning: Make sure power is off and locked at the service disconnecting means on the service panel during installation.

- 7) Remove the blower deck assembly by removing the 12 screws around the blower mounting plate. Unplug the electrical connector(s) and set the blower assembly aside, taking care not to damage the blower wheels.
- 8) Install an appropriate 1/2" UL listed electrical wire clamp through the electrical strap(s) on top of the hood deck. Install electrical wiring from the service panel to the hood location for each blower assembly. Consult the connection diagrams (above) for further details on electrical placement. Support the hood beneath the location where it will hang and feed the electrical wire(s) into the wire clamp(s). Tighten the wire clamp(s).

Vent Hood®

Installation Details Continued

Model	Volts	Amps*	Hz	RPM	CFM SP@0.0"	Equivalent CFM*	CFM SP@0.1"	CFM SP@0.2"	CFM SP@0.3"	Minimum Round Duct Size	Sones#
T200 Island Dual	115	2.9	60	1550	550	900	507	471	431	8" (50 in. ²)	6.0
T400 Island Cluster	115	5.8	60	1550	1100	1800	998	855	774	12" (13 in. ²)	6.4

* Add 0.5 amp for each halogen light.

• Because the Magic Lung® blower uses centrifugal filtration rather than conventional baffle or mesh filters, the Magic Lung® blower can handle cooking equipment with higher cubic feet per minute (CFM) requirements and can deliver equivalent CFM much more efficiently than other than other filtration systems. When comparing the Magic Lung® with other blower units made by other manufacturers, use the "Equivalent CFM".

Ratings in accordance with the Standard Test Code by the Energy Systems Laboratory of the Texas Engineering Experiment Station.

- 9) **Raise the hood to its final position and attach it to the load-bearing framework in the ceiling using appropriate hardware or to the duct cover using the screws previously removed in Step 3.**
- 10) **From inside the hood, using UL listed wire nuts, attach the "neutral" wire(s) to the white lead(s), the "hot" wire(s) to the black lead(s), and the ground wire(s) to the green lead(s).**

Warning: Do not operate hood without proper ground connection.

- 11) **Attach the transition to the blower deck assembly and seal with duct tape. The transition must fit inside the exhaust collar on the blower deck assembly. Reconnect the electrical connector(s). For assemblies with two connectors, connect the right harness to the front connector and the left harness to the back connector. While taking care to properly align the duct connection between the transition and the duct in the ceiling, reinstall the blower deck assembly into the hood using the 12 screws previously removed in Step 7.**
- 12) **Replace the blower housings and the blower shields. Make sure that the dampers open and close smoothly.**
- 13) **Refer to Owner Maintenance Guide Operating Instructions for proper hood operation. Test all blower and light functions to ensure they are operating properly.**



VENTING

Vent-A-Hood®

ACCESSORIES

WALL LOUVER

MODEL	DESCRIPTION
VP526	6" Round
VP527	7" Round
VP528	8" Round

WALL LOUVER

MODEL	DESCRIPTION
VP554	10" Round

WALL LOUVER

MODEL	DESCRIPTION
VP555	12" Round

RECTANGULAR WALL LOUVER

MODEL	DESCRIPTION
VP538	6" x 8-1/2"
VP560	3-1/4" x 10"

LOW PROFILE ROOF JACK (MAXIMUM 4/12 PITCH)

MODEL	DESCRIPTION
VP539	6" Round
VP540	7" Round
VP541	8" Round

LOW PROFILE ROOF JACK (MAXIMUM 4/12 PITCH)

MODEL	DESCRIPTION
VP552	10" Round
VP553	12" Round

LOW PROFILE ROOF JACK (MINIMUM 4/12 PITCH)

MODEL	DESCRIPTION
VP539-HP	6" Round
VP540-HP	7" Round
VP541-HP	8" Round

LOW PROFILE ROOF JACK (MINIMUM 4/12 PITCH)

MODEL	DESCRIPTION
VP552-HP	10" Round
VP553-HP	12" Round

ADJUSTABLE ELBOW

MODEL	DESCRIPTION
VP513	6" Round
VP514	7" Round
VP515	8" Round

BACK/SIDE VENT ELBOW

MODEL	DESCRIPTION
VP561	8" to 6" x 8-1/2"

3 1/4" x 10" BACK VENT ELBOW

MODEL	DESCRIPTION
VP559	3-1/4" x 10"

3 1/4" x 10" TO 7" TRANSITION

MODEL	DESCRIPTION
VP521	3-1/4" x 10 to 7"

MULTI-BLOWER TRANSITION

MODEL	DESCRIPTION
VP562	6" & 8" to 10"
VP563	8" & 8" to 12"

M1200 STANDARD TRANSITION

MODEL	DESCRIPTION
VP566	M1200 Transition

STANDARD ISLAND TRANSITION

MODEL	DESCRIPTION
VP565	5" x 16" to 8" Rnd

CLUSTER BLOWER TRANSITION

MODEL	DESCRIPTION
VP564	8" & 8" to 12"

OFFSET L & R TRANSITION FOR ISLAND BLOWERS

MODEL	DESCRIPTION
VP542	Top Left
VP543	Top Right

SIDE VENT TRANSITION L & R FOR ISLAND BLOWERS

MODEL	DESCRIPTION
VP544	Side Left
VP545	Side Right

OFFSET KIT - ROUND

MODEL	DESCRIPTION
VP529	6" Rnd to 7" Rnd

OFFSET KIT - RECTANGULAR

MODEL	DESCRIPTION
VP550	6" to 3-1/4" x 10"

"Y" TRANSITION

MODEL	DESCRIPTION
VP517	8" & 8" to 12"
VP518	6" & 8" to 12"
VP551	6" & 8" to 10"

ROUND DUCT PIPE

MODEL	DESCRIPTION
VP500	6" Round
VP501	7" Round
VP502	8" Round

3 1/4" RECTANGULAR DUCT PIPE

MODEL	DESCRIPTION
VP504	3-1/4" x 10"
VP505	3-1/4" x 12"
VP506	3-1/4" x 16"

6" RECTANGULAR DUCT PIPE

MODEL	DESCRIPTION
VP507	6" x 8-1/2"