

# Operator's Manual

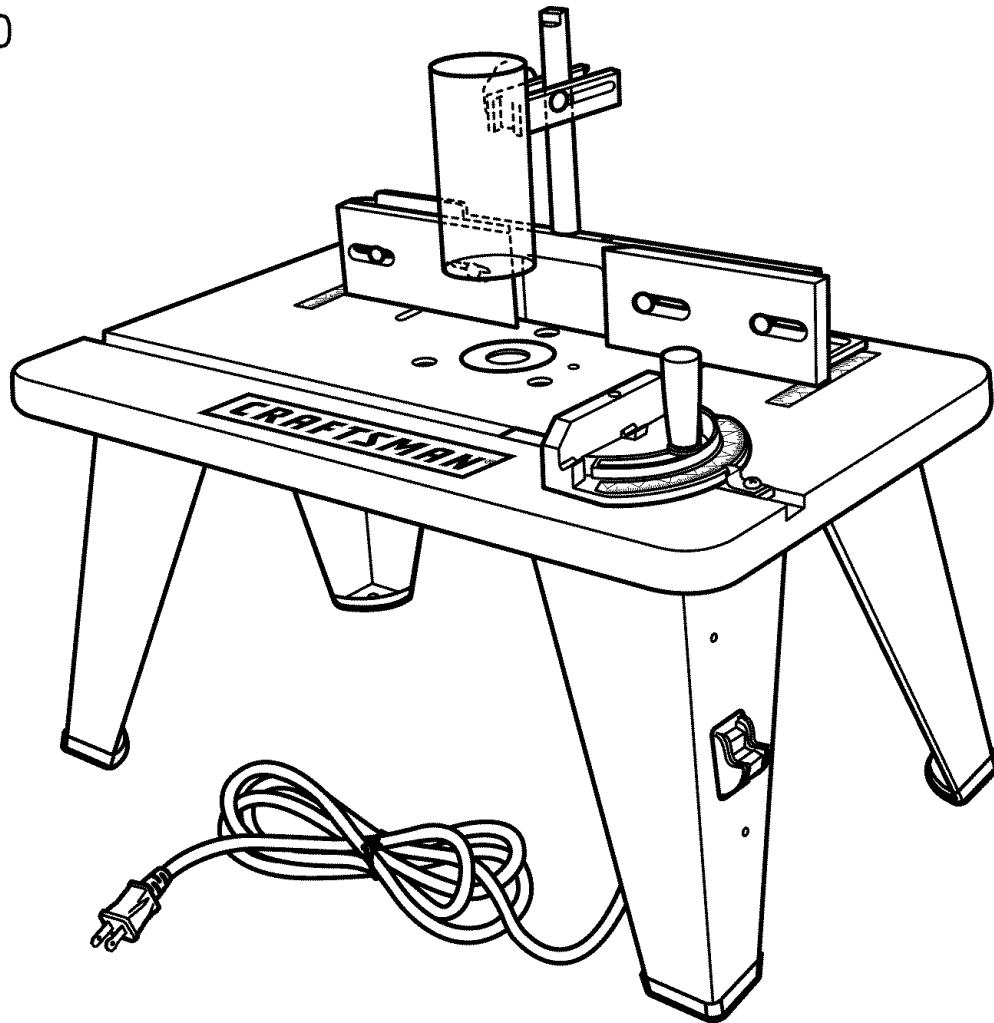


## ROUTER TABLE

Double Insulated

Model No.

315.265030



**⚠ WARNING:** To reduce the risk of injury, the user must read and understand the operator's manual before using this product.

Customer Help Line: 1-800-932-3188

Sears, Roebuck and Co., 3333 Beverly Rd., Hoffman Estates, IL 60179 USA  
Visit the Craftsman web page: [www.sears.com/craftsman](http://www.sears.com/craftsman)

983000-479  
7-04

**Save this manual for future reference**



# TABLE OF CONTENTS

■ Warranty .....	2
■ Introduction .....	2
■ General Safety Rules .....	3
■ Specific Safety Rules .....	4
■ Symbols .....	5-6
■ Electrical .....	7
■ Features .....	8-9
■ Assembly .....	10-13
■ Operation .....	14-17
■ Maintenance .....	18
■ Exploded View and Parts List .....	20-21
■ Parts Ordering/Service .....	22

## WARRANTY

### FULL ONE YEAR WARRANTY ON CRAFTSMAN TOOL

If this **CRAFTSMAN** tool fails to give complete satisfaction within one year from the date of purchase, **RETURN IT TO THE NEAREST SEARS STORE OR SEARS SERVICE CENTER IN THE UNITED STATES**, and Sears will repair it, free of charge.

If this **CRAFTSMAN** tool is used for commercial or rental purposes, this warranty applies for only 90 days from the date of purchase.


This warranty gives you specific legal rights, and you may also have other rights which vary from state to state.

**Sears, Roebuck and Co., Dept. 817WA, Hoffman Estates, IL 60179**

## INTRODUCTION

This tool has many features for making its use more pleasant and enjoyable. Safety, performance, and dependability have been given top priority in the design of this product making it easy to maintain and operate.

# GENERAL SAFETY RULES

 **WARNING: Read and understand all instructions.** Failure to follow all instructions listed below, may result in electric shock, fire and/or serious personal injury.


## READ ALL INSTRUCTIONS

- **KNOW YOUR POWER TOOL.** Read the operator's manual carefully. Learn the applications and limitations as well as specific potential hazards related to this tool.
- **GUARD AGAINST ELECTRICAL SHOCK** by preventing body contact with grounded surfaces. For example: pipes, radiators, ranges, refrigerator enclosures.
- **KEEP GUARDS IN PLACE** and in working order. Never operate the tool with any guard or cover removed. Make sure all guards are operating properly before each use.
- **REMOVE ADJUSTING KEYS AND WRENCHES.** Form habit of checking to see keys and adjusting wrenches are removed from tool before turning it on.
- **KEEP THE WORK AREA CLEAN.** Cluttered work areas and work benches invite accidents.
- **DON'T USE IN DANGEROUS ENVIRONMENTS.** Do not use power tools near gasoline or other flammable liquids, in damp or wet locations or expose them to rain. Keep work area well lighted.
- **KEEP CHILDREN AND VISITORS AWAY.** All visitors should wear safety glasses and be kept a safe distance from work area.
- **MAKE WORKSHOP CHILDPROOF** with padlocks, master switches, or by removing starter keys.
- **DON'T FORCE THE TOOL.** It will do the job better and safer at the rate for which it was designed.
- **USE THE RIGHT TOOL.** Do not force the tool or attachment to do a job for which it was not designed.
- **USE THE PROPER EXTENSION CORD.** Make sure your extension cord is in good condition. When using an extension cord, be sure to use one heavy enough to carry the current your product will draw. An undersized cord will cause a drop in line voltage resulting in loss of power and overheating. A wire gauge size (A.W.G.) of at least **14** is recommended for an extension cord 25 feet or less in length. If in doubt, use the next heavier gauge. The smaller the gauge number, the heavier the cord.
- **WEAR PROPER APPAREL.** Do not wear loose clothing, neckties, or jewelry that can get caught in the tool's moving parts and cause personal injury. Nonslip footwear is recommended when working outdoors. Wear protective hair covering to contain long hair.
- **ALWAYS WEAR SAFETY GLASSES WITH SIDE SHIELDS.** Everyday eyeglasses have only impact-resistant lenses; they are **NOT** safety glasses.
- **SECURE WORK.** Use clamps or a vise to hold work when practical. It's safer than using your hand and it frees both hands to operate tool.
- **DO NOT OVERREACH.** Keep proper footing and balance at all times.
- **MAINTAIN TOOLS WITH CARE.** Keep tools sharp and clean for best and safest performance. Follow instructions for lubricating and changing accessories.
- **DISCONNECT ALL TOOLS.** When not in use, before servicing, or when changing attachments, blades, bits, cutters, etc., all tools should be disconnected from power source.
- **REDUCE THE RISK OF UNINTENTIONAL STARTING.** Be sure switch is off when plugging in.
- **USE RECOMMENDED ACCESSORIES.** Consult the operator's manual for recommended accessories. The use of improper accessories may cause risk of injury.
- **NEVER STAND ON TOOL.** Serious injury could occur if the tool is tipped or if the blade is unintentionally contacted.
- **CHECK DAMAGED PARTS.** Before further use of the tool, a guard or other part that is damaged should be carefully checked to determine that it will operate properly and perform its intended function. Check for alignment of moving parts, binding of moving parts, breakage of parts, mounting and any other conditions that may affect its operation. A guard or other part that is damaged must be properly repaired or replaced by an authorized service center to avoid risk of personal injury.
- **DIRECTION OF FEED.** Feed work into a blade or cutter against the direction or rotation of the blade or cutter only.
- **NEVER LEAVE TOOL RUNNING UNATTENDED. TURN POWER OFF.** Don't leave tool until it comes to a complete stop.

# SPECIFIC SAFETY RULES

- **DON'T ABUSE CORD.** Never carry tool by the cord or yank it to disconnect from receptacle. Keep cord from heat, oil, and sharp edges.
- **PROTECT YOUR LUNGS.** Wear a face or dust mask if the cutting operation is dusty.
- **PROTECT YOUR HEARING.** Wear hearing protection during extended periods of operation.
- **KEEP TOOL DRY, CLEAN, AND FREE FROM OIL AND GREASE.** Always use a clean cloth when cleaning. Never use brake fluids, gasoline, petroleum-based products, or any solvents to clean tool.
- **INSPECT TOOL CORDS AND EXTENSION CORDS PERIODICALLY** and, if damaged, have repaired by a qualified service technician. Stay constantly aware of cord location and keep it well away from the rotating wheel.
- **NEVER USE IN AN EXPLOSIVE ATMOSPHERE.** Normal sparking of the motor could ignite fumes.
- **USE ONLY OUTDOOR EXTENSION CORDS** with approved ground connection that are intended for use outdoors and so marked.
- **KEEP HANDS AWAY FROM CUTTING AREA.** Do not reach underneath the table or in the cutting path with your hands or fingers at any time while the tool is connected to a power source.
- **DO NOT** use awkward hand positions.
- **USE OVERHEAD GUARD WHEN ADJUSTABLE FENCE IS NOT IN PLACE.**
- **FIRMLY CLAMP OR BOLT THE ROUTER TABLE TO A WORK SURFACE** so that the router table surface is approximately hip height.
- **INSPECT FOR AND REMOVE ALL NAILS FROM LUMBER BEFORE ROUTING.** Following this rule will reduce the risk of serious personal injury.
- **DRUGS, ALCOHOL, MEDICATION. DO NOT OPERATE TOOL WHILE UNDER THE INFLUENCE OF DRUGS, ALCOHOL, OR ANY MEDICATION.** Following this rule will reduce the risk of electric shock, fire, or serious personal injury.
- **SAVE THESE INSTRUCTIONS.** Refer to them frequently and use them to instruct others who may use this tool. If you loan someone this tool, loan them these instructions also.

---











 **WARNING:** Some dust created by power sanding, sawing, grinding, drilling, and other construction activities contains chemicals known to cause cancer, birth defects or other reproductive harm. Some examples of these chemicals are:

- lead from lead-based paints,
- crystalline silica from bricks and cement and other masonry products, and
- arsenic and chromium from chemically-treated lumber.

Your risk from these exposures varies, depending on how often you do this type of work. To reduce your exposure to these chemicals: work in a well ventilated area, and work with approved safety equipment, such as those dust masks that are specially designed to filter out microscopic particles.




# SYMBOLS

Some of the following symbols may be used on this tool. Please study them and learn their meaning. Proper interpretation of these symbols will allow you to operate the tool better and safer.

SYMBOL	NAME	DESIGNATION/EXPLANATION
V	Volts	Voltage
A	Amperes	Current
Hz	Hertz	Frequency (cycles per second)
W	Watt	Power
min	Minutes	Time
~	Alternating Current	Type of current
≡	Direct Current	Type or a characteristic of current
$n_0$	No Load Speed	Rotational speed, at no load
	Class II Construction	Double-insulated construction
.../min	Per Minute	Revolutions, strokes, surface speed, orbits etc., per minute
	Wet Conditions Alert	Do not expose to rain or use in damp locations.
	Read The Operator's Manual	To reduce the risk of injury, user must read and understand operator's manual before using this product.
	Eye Protection	Always wear safety goggles or safety glasses with side shields and a full face shield when operating this product.
	Safety Alert	Precautions that involve your safety.
	No Hands Symbol	Failure to keep your hands away from the blade will result in serious personal injury.
	No Hands Symbol	Failure to keep your hands away from the blade will result in serious personal injury.
	No Hands Symbol	Failure to keep your hands away from the blade will result in serious personal injury.
	No Hands Symbol	Failure to keep your hands away from the blade will result in serious personal injury.
	Hot Surface	To reduce the risk of injury or damage, avoid contact with any hot surface.


# SYMBOLS

The following signal words and meanings are intended to explain the levels of risk associated with this product.

SYMBOL	SIGNAL	MEANING
	<b>DANGER:</b>	Indicates an imminently hazardous situation, which, if not avoided, will result in death or serious injury.
	<b>WARNING:</b>	Indicates a potentially hazardous situation, which, if not avoided, could result in death or serious injury.
	<b>CAUTION:</b>	Indicates a potentially hazardous situation, which, if not avoided, may result in minor or moderate injury.
	<b>CAUTION:</b>	(Without Safety Alert Symbol) Indicates a situation that may result in property damage.

## SERVICE

Servicing requires extreme care and knowledge and should be performed only by a qualified service technician. For service we suggest you return the product to your nearest **AUTHORIZED SERVICE CENTER** for repair. When servicing, use only identical replacement parts.

 **WARNING:** To avoid serious personal injury, do not attempt to use this product until you read thoroughly and understand completely the operator's manual. Save this operator's manual and review frequently for continuing safe operation and instructing others who may use this product.

---

## WARNING:




The operation of any power tool can result in foreign objects being thrown into your eyes, which can result in severe eye damage. Before beginning power tool operation, always wear safety goggles or safety glasses with side shields and a full face shield when needed. We recommend Wide Vision Safety Mask for use over eyeglasses or standard safety glasses with side shields. Always use eye protection which is marked to comply with ANSI Z87.1.

## SAVE THESE INSTRUCTIONS

# ELECTRICAL

## DOUBLE INSULATION

Double insulation is a concept in safety in electric power tools, which eliminates the need for the usual three-wire grounded power cord. All exposed metal parts are isolated from the internal metal motor components with protecting insulation. Double insulated tools do not need to be grounded.

 **WARNING:** The double insulated system is intended to protect the user from shock resulting from a break in the tool's internal insulation. Observe all normal safety precautions to avoid electrical shock.

**NOTE:** Servicing of a tool with double insulation requires extreme care and knowledge of the system and should be performed only by a qualified service technician. For service, we suggest you return the tool to your nearest authorized service center for repair. Always use original factory replacement parts when servicing.

## ELECTRICAL CONNECTION

This tool has a precision-built electric motor. It should be connected to a **power supply that is 120 volts, 60 Hz, AC only (normal household current)**. Do not operate this tool on direct current (DC). A substantial voltage drop will cause a loss of power and the motor will overheat. If your tool does not operate when plugged into an outlet, double-check the power supply.

## EXTENSION CORDS

When using a power tool at a considerable distance from a power source, be sure to use an extension cord that has the capacity to handle the current the tool will draw. An undersized cord will cause a drop in line voltage, resulting in overheating and loss of power. Use the chart to determine the minimum wire size required in an extension cord. Only round jacketed cords listed by Underwriter's Laboratories (UL) should be used.

When working outdoors with a tool, use an extension cord that is designed for outside use. This type of cord is designated with "WA" on the cord's jacket.

Before using any extension cord, inspect it for loose or exposed wires and cut or worn insulation.


\*\*Ampere rating (on tool faceplate)


0-2.0    2.1-3.4    3.5-5.0    5.1-7.0    7.1-12.0    12.1-16.0

Cord Length	Wire Size (A.W.G.)					
	0-2.0	2.1-3.4	3.5-5.0	5.1-7.0	7.1-12.0	12.1-16.0
25'	16	16	16	16	14	14
50'	16	16	16	14	14	12
100'	16	16	14	12	10	—

\*\*Used on 12 gauge - 20 amp circuit.

**NOTE:** AWG = American Wire Gauge

 **WARNING:** Keep the extension cord clear of the working area. Position the cord so that it will not get caught on lumber, tools or other obstructions while you are working with a power tool. Failure to do so can result in serious personal injury.

 **WARNING:** Check extension cords before each use. If damaged replace immediately. Never use tool with a damaged cord since touching the damaged area could cause electrical shock resulting in serious injury.

# FEATURES

## PRODUCT SPECIFICATIONS

Table Dimensions ..... 14 in. x 24 in. (35.6 cm x 61 cm)  
Maximum Cutter Diameter ..... 1-15/16 in. (4.9 cm)  
Fence Width ..... 16-3/8 in. (41.6 cm)

Miter Slot ..... 3/8 in x 3/4 in. x 24 in.  
(0.9 cm x 1.9 cm x 61 cm)  
Input ..... 120 V, 60 Hz, AC only  
Net Weight ..... 20 lbs. (9.1 kg)

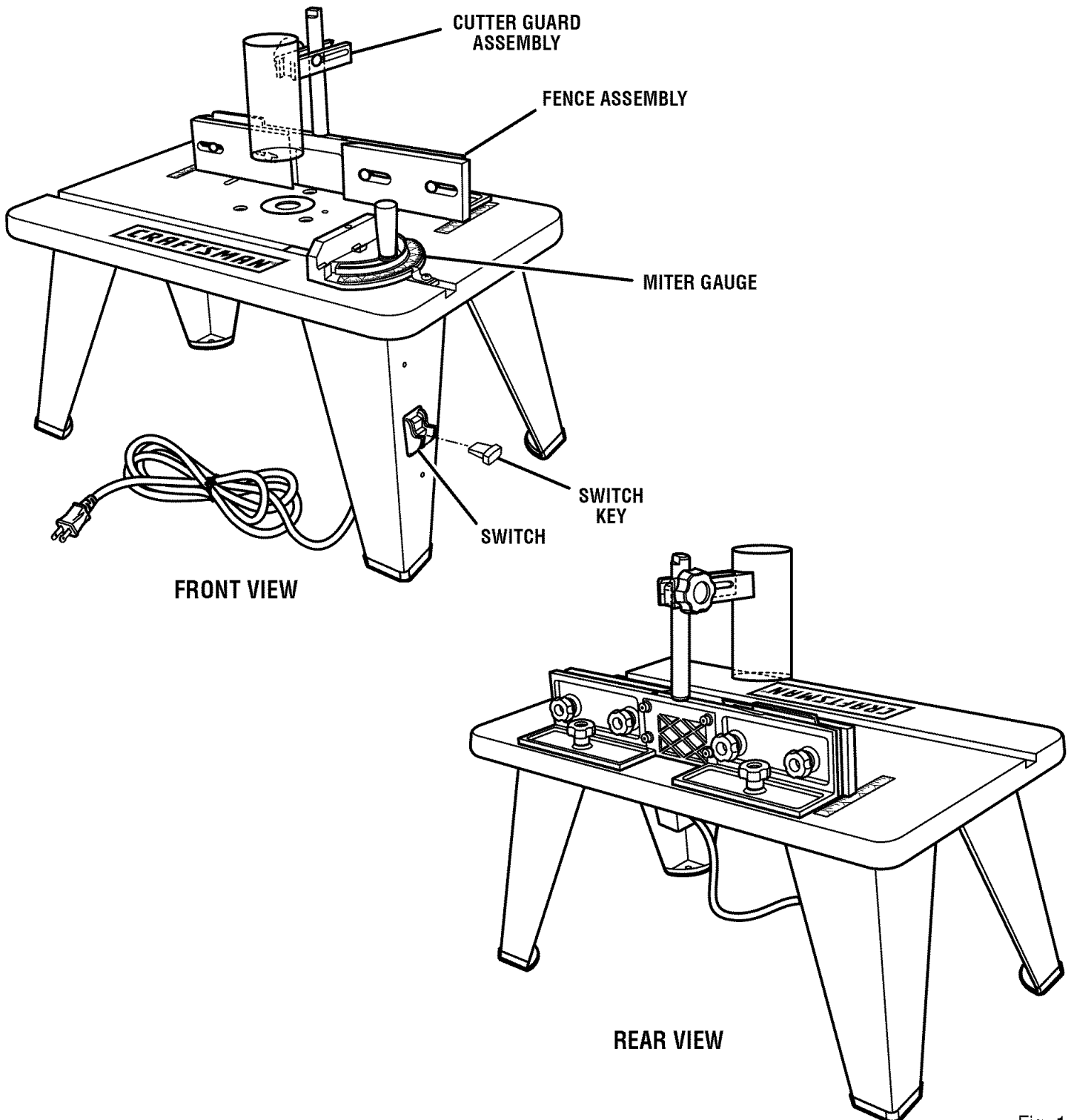


Fig. 1



# FEATURES

## KNOW YOUR ROUTER TABLE

See Figure 1.

Before attempting to use this product, familiarize yourself with all operating features and safety rules.

## CUTTER GUARD ASSEMBLY

The cutter guard assembly provides a barrier to protect the operator from contact with the cutter and is adjustable for all types of cuts and materials. The cutter guard also doubles as a vacuum attachment. You can insert a standard shop vacuum into the top of the clear plastic cutter guard to keep dust to a minimum.

## FENCE ASSEMBLY

The fence assembly provides an adjustable surface to support and guide the work.

## MITER GAUGE

A miter gauge is used for mitered routing and to help support wider pieces.

## STARTING PIN

When you are unable to use the fence for a guide because the workpiece is odd-shaped or too small, use the starting pin for a guide. Only use piloted cutters when using the starting pin. Remove the fence and miter gauge when using the starting pin.

## SWITCH

This product is equipped with a power switch that has a built-in locking feature. This feature is intended to prevent unauthorized and possible hazardous use by children and others. If you remove the key during operation, you can turn the switch off, but you may not turn it on again until you replace the key.

## THROAT PLATES

Five throat plates are included with the router table. The throat plate provides a stable support surface around the cutter and prevents objects from falling through the throat and damaging the spindle.

## UNDERTABLE AND REAR SAFETY GUARDS

The undertable guard and rear safety guard ensure that your hand, loose clothing, and other objects do not come in contact with the cutter or collet during operation.



**WARNING:** The undertable and rear safety guards must be securely in place before using the router table. Failure to do so could result in serious personal injury.

# ASSEMBLY

## UNPACKING

This product requires assembly.

- Carefully remove the tool and any accessories from the box. Make sure that all items listed in the packing list are included.
- Inspect the tool carefully to make sure no breakage or damage occurred during shipping.
- Do not discard the packing material until you have carefully inspected and satisfactorily operated the tool.
- If any parts are damaged or missing, please call 1-800-932-3188 for assistance.

**WARNING:** If any parts are missing do not operate this tool until the missing parts are replaced. Failure to do so could result in possible serious personal injury.

**WARNING:** Do not attempt to modify this tool or create accessories not recommended for use with this tool. Any such alteration or modification is misuse and could result in a hazardous condition leading to possible serious personal injury.

## PACKING LIST

1. Router table top (1)
  2. Miter gauge knob (1)
  3. Washer (1)
  4. Miter gauge (1)
  5. Hex key (1)
  6. Bar (1)
  7. Switch box assembly (1)
  8. Guard post (1)
  9. Cutter guard assembly (1)
  10. Undertable guard (1)
  11. Carriage bolt (2)
  12. Socket head screw (16)
  13. Lock washer (19)
  14. Flat head machine screw (3)
  15. Small screw (2)
  16. Starting pin
  17. Pan head machine screw (2)
  18. Fence assembly (1)
  19. Fence lock knob (2)
  20. Throat plate (5)
  21. Table leg (4)
  22. Rear safety guard (1)
  23. Socket head screw (3)
- Operator's Manual (not shown)

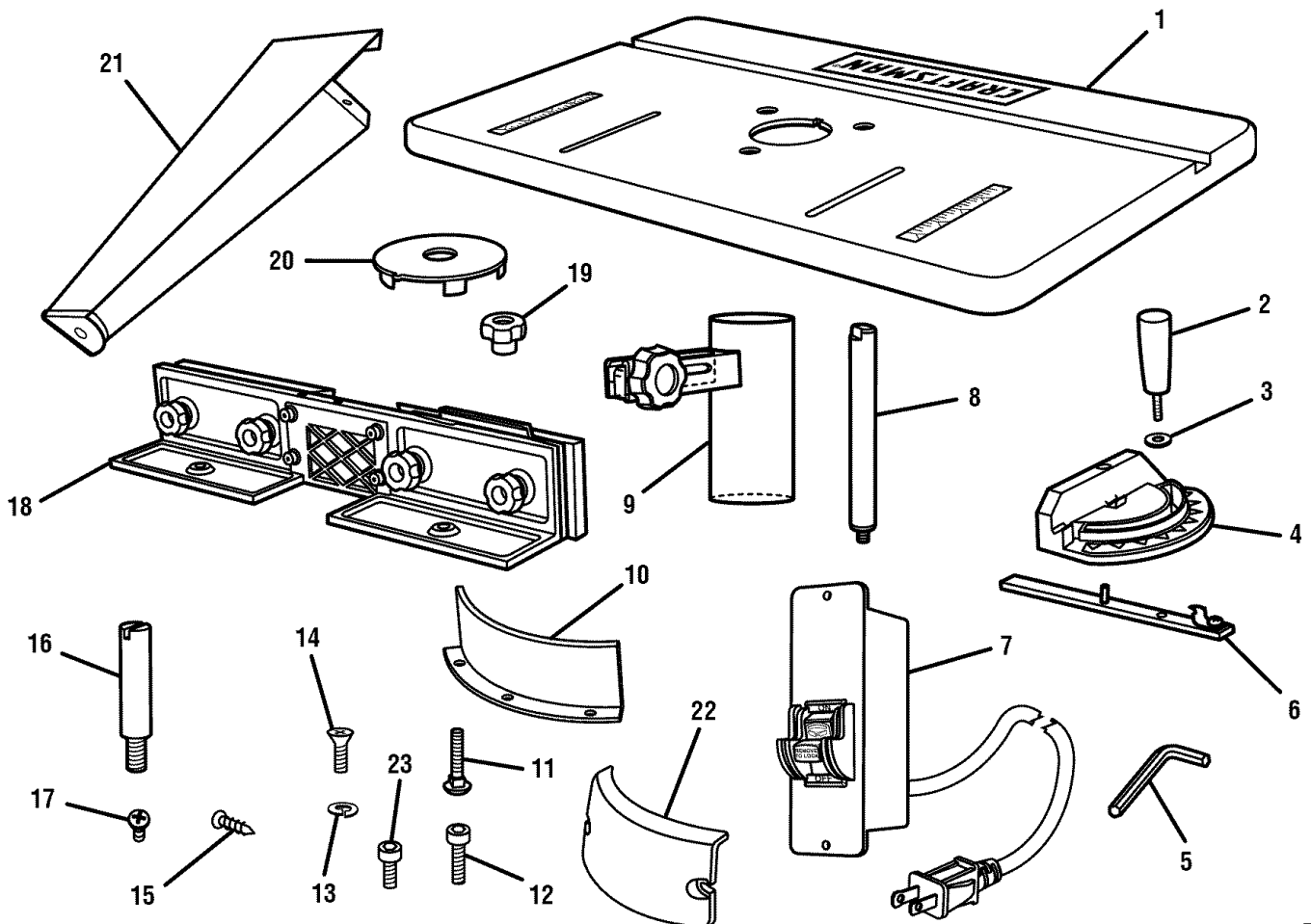


Fig. 2

# ASSEMBLY

**WARNING:** Do not connect to power supply until assembly is complete. Failure to comply could result in accidental starting and possible serious injury.

## ASSEMBLING THE ROUTER TABLE

When you remove the parts and hardware from the packing materials, check all items with the packing list and drawing. If you are unsure about the description of any part, refer to the drawing. If any parts are missing, delay assembling until you have obtained the missing part(s).

## TO ATTACH THE LEGS

See Figure 3.

■ Place router table top upside down on a flat, level surface with the front edge closest to you.

■ Place each leg in a corner of the table.

**NOTE:** The leg with the switch cut-out should be placed in the front left corner of the table. The leg with the warning label should be placed in the front right corner of the table.

■ Align the holes in the legs with the threaded holes in the table.

■ Use the hex key provided, secure each leg with the socket head screws and lock washers.

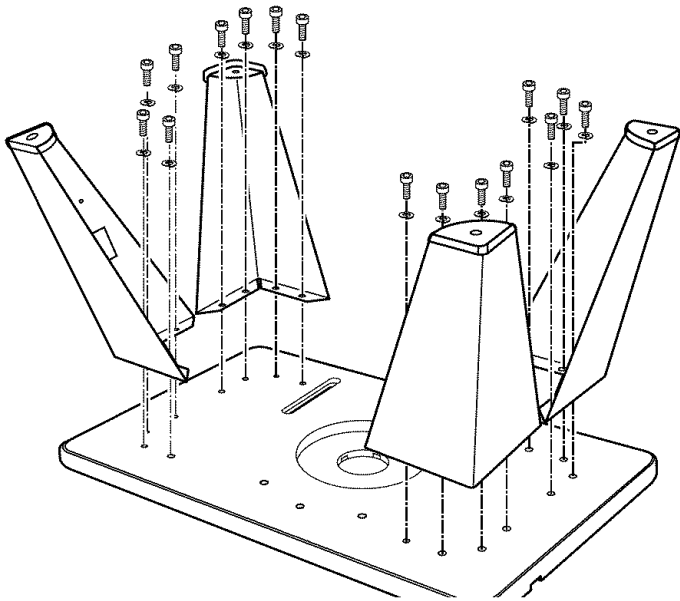


Fig. 3

## TO ATTACH THE SWITCH ASSEMBLY

See Figure 4.

■ Hold the switch assembly so that the words **ON** and **OFF** on the toggle switch are upside down.

■ Place the switch assembly against the cutout in the left front leg.

■ Align the small holes in the mounting tabs with the small holes in the leg.

■ Using a phillips screwdriver, secure the switch assembly to the leg with the small screws.

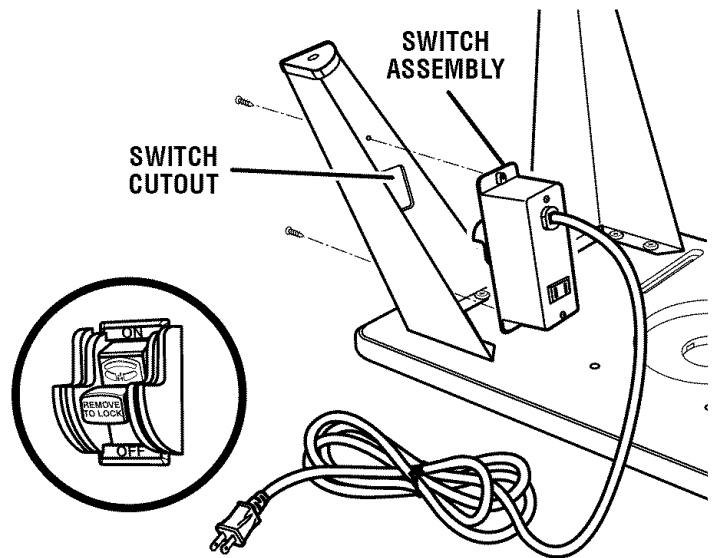


Fig. 4

## TO ATTACH THE UNDERTABLE GUARD

See Figure 5.

■ Position the undertable guard around the throat of the table.

■ Align the three holes of the guard with the threaded holes in the table.

■ Use the hex key provided to secure the undertable guard with the socket head screws and lock washers.

■ Turn the router table upright and be sure the table is stable and rests securely on all four legs.

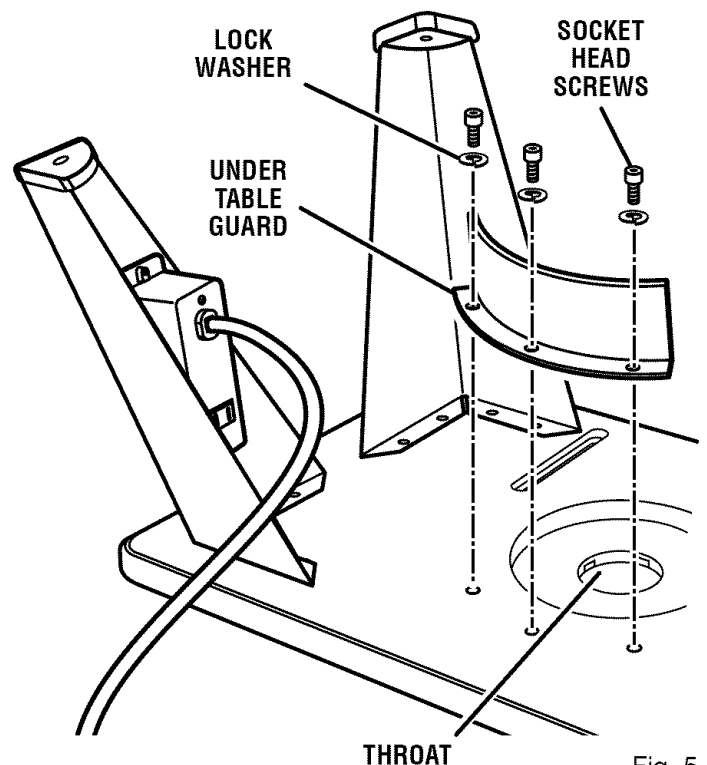


Fig. 5

# ASSEMBLY

## TO ATTACH THE FENCE

See Figure 6.

- Position the fence on the table as shown in figure 6.
- Align the holes on the bottom of the fence with the channels on the router table.
- Using the two carriage bolts and fence lock knobs, secure the fence to the table.

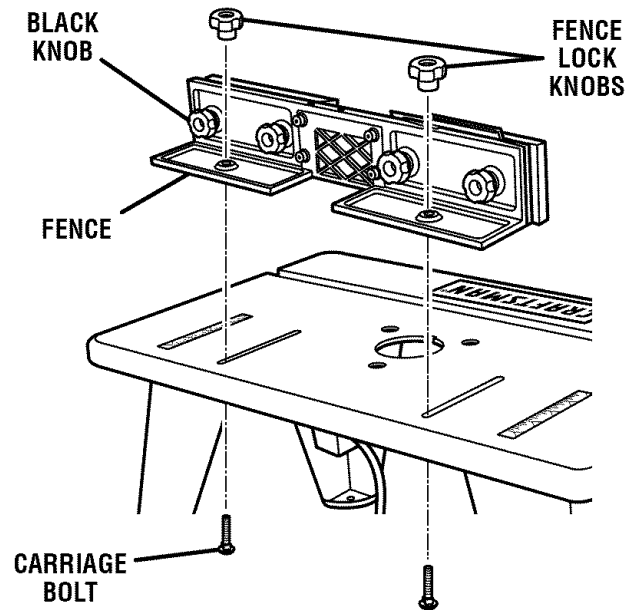


Fig. 6

## TO ATTACH THE CUTTER GUARD ASSEMBLY

See Figure 7.

- Screw the guard post securely into one of the threaded holes on the top of the fence.

**NOTE:** When the fence is close to the cutter, place the guard post in the off-center threaded hole to provide protection from the cutter and allow for proper suction for the vacuum.

- Loosen the plastic ring on the cutter guard by turning the black knob counterclockwise.
- Slide the ring over the guard post.
- Center the cutter guard over the throat of the router table.
- Tighten the cutter guard by turning the black knob clockwise.

**NOTE:** To keep saw dust to a minimum, attach a standard shop vacuum to the top of the cutter guard.

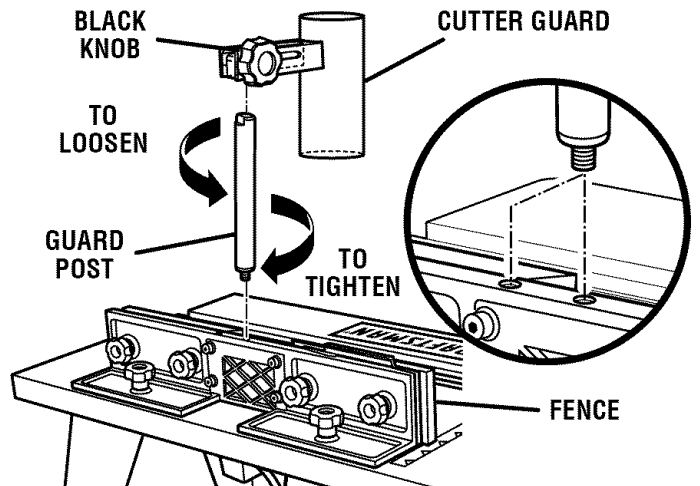


Fig. 7

## ASSEMBLING THE MITER GAUGE

See Figure 8.

- Position the miter gauge on the bar by placing the miter gauge under the indicator and over the post.  
**NOTE:** The miter gauge should rest securely on top of the bar.
- Place the washer over the threaded hole then screw the miter gauge knob through the washer and into the hole.
- Tighten securely by turning the miter gauge knob clockwise

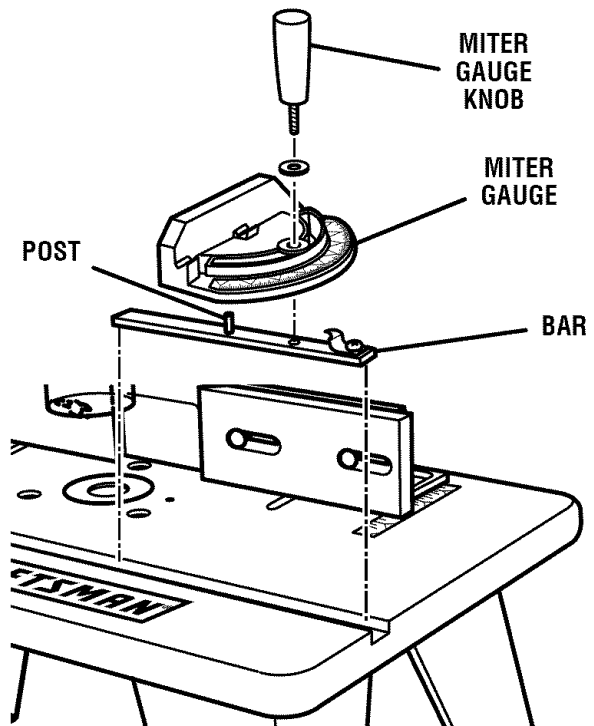


Fig. 8

# ASSEMBLY

## ATTACHING THE REAR SAFETY GUARD TO THE ROUTER

See Figure 9.

- Align the holes in the rear safety guard with the holes in the router.
- Using two screws, secure the rear safety guard to the router.

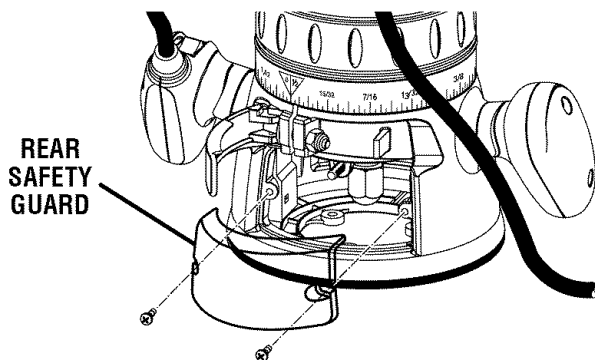


Fig. 9

## MOUNTING THE ROUTER TO THE TABLE

See Figure 10.

Mount the router to the router table after the router table has been completely assembled and the rear safety guard has been installed on the router.

- Hold the router upside down so that the front of the router faces you.
- Align the holes in the center of the table with the holes in the router.
- Holding the router with one hand, securely tighten each of the three screws as shown in figure 10.

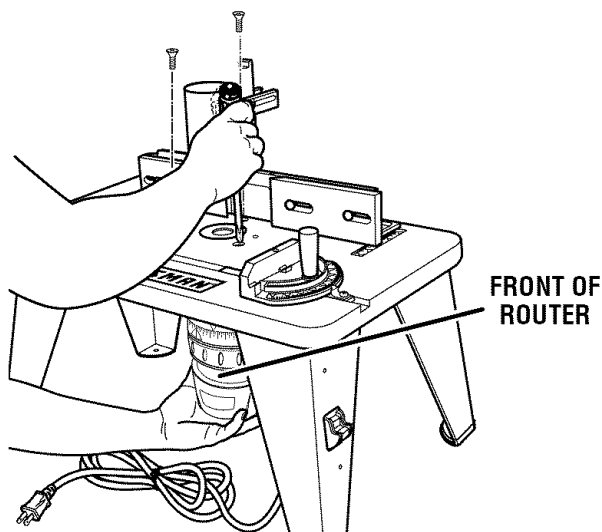


Fig. 10

## MOUNTING THE TABLE TO A WORK SURFACE

See Figures 11 and 12.

- Place the router table right side up on a sturdy work surface (e.g., work stand, workbench, counter top).
- Mark the surface with a pencil through the holes in the table legs. Remove the router table.
- Drill four holes through the work surface.
- Align the holes in the table legs with the holes in the work surface. Position the router table surface at approximately hip height.
- Insert four bolts (not included, 1/4-20 recommended) and tighten securely with lock washers and hex nuts (not included).

**NOTE:** If you plan to transport the router table to different locations, we recommend you attach it permanently to a mounting board that you can easily clamp to a work surface.

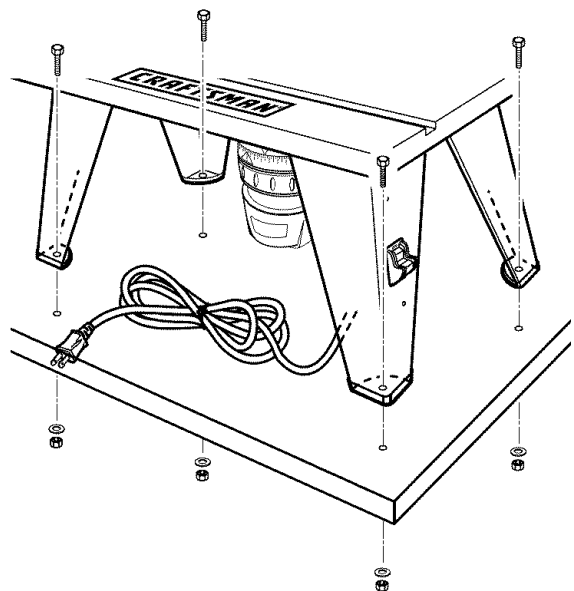


Fig. 11

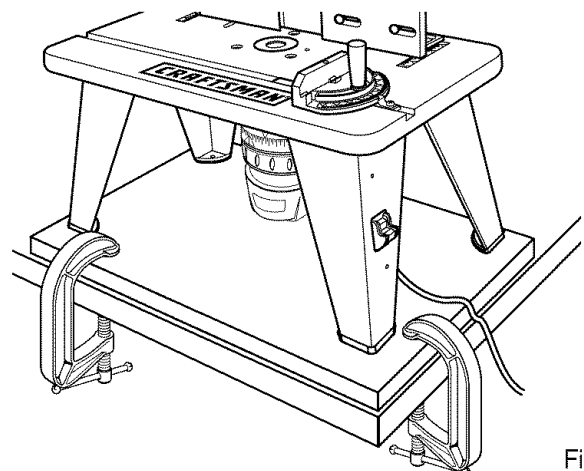


Fig. 12

# OPERATION

**WARNING:** Do not allow familiarity with your tool to make you careless. Remember that a careless fraction of a second is sufficient to inflict serious injury.

**WARNING:** Always wear safety goggles or safety glasses with side shields when operating power tools. Failure to do so could result in objects being thrown into your eyes resulting in possible serious injury.

**WARNING:** Current attachments and accessories available for use with this tool are listed above. Do not use any attachments or accessories not recommended by the manufacturer of this tool. The use of attachments or accessories not recommended can result in serious personal injury.

## APPLICATIONS

You may use this tool for the purposes listed below:

- Table mounted dado and mortise operations in wood and wood composition materials
- Fence guided edging operations for cabinetry and picture framing on wood and wood composition materials
- Piloted cutter operations using the starting pin for edging patterned surfaces on wood and wood composition materials

## USING THE ROUTER WITH THE ROUTER TABLE

Observe the following rules when using the router with the router table.

- Read the entire 175100 Router Operator's Manual.
- Always plug the router into the router table switched outlet. **Never** plug a router table mounted router into another power source.
- Lock-on the router switch. *Refer to the 175100 router manual for details.*
- Make sure the router table switch is off. Remove the switch key.
- Plug the router table power cord into a power source.
- Always control the power to the router with the router table switch whenever the router is mounted on the table.

**WARNING:** When using a router table, larger router bits should be used for edging only. Do not use router bits that are larger in diameter than the opening in the router table.

## PERFORMING A ROUTING OPERATION

See Figure 13.

- Read the entire 175100 Router Operator's Manual.
- Adjust the cutter guard so that it will not come in contact with the workpiece or cutter during a cutting operation.
- Adjust the infeed fence to support the uncut workpiece and adjust the outfeed fence to support the workpiece after the cut.

**NOTE:** The workpiece must always be tight against the fence, unless you are using a ball-bearing piloted cutter. Additionally, it may be necessary to remove the center fence plate if using large cutters up to 2 1/4 in.

- Reconfirm that all router adjustments are securely locked before connecting the router table to a power source.
- Feed the workpiece from right to left with the cutter located in the fence opening.

**WARNING:** The direction of feed for the workpiece is always against the sharp edges of the cutter and therefore into the rotation of the cutter. Failure to feed the work into the cutter correctly can result in serious personal injury.

**WARNING:** When operating the router with the router table, the router must only be plugged into and controlled by the router table switched outlet. To reduce the risk of serious personal injury, never connect the table mounted router into another power source.

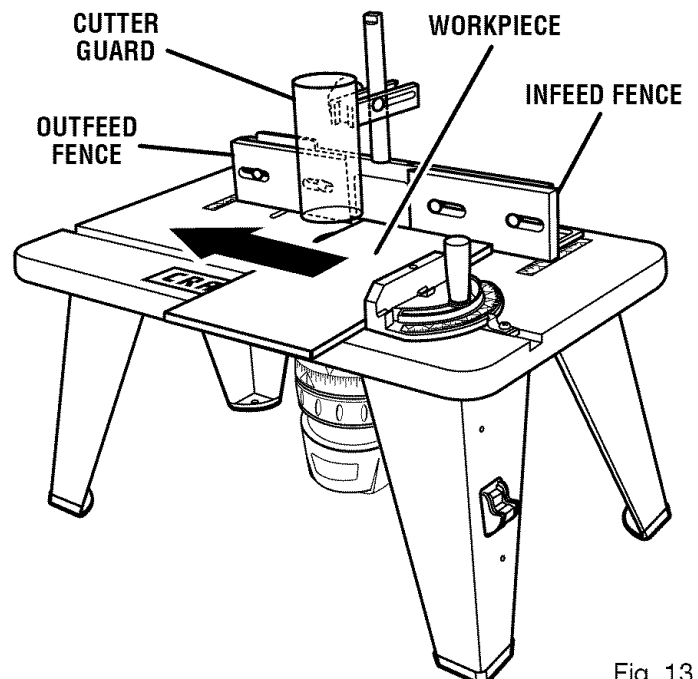


Fig. 13

# OPERATION

## INSERTING/REMOVING CUTTERS

See Figure 14.

- Unplug the router and the router table.

**WARNING:** To prevent damage to the spindle or spindle lock, always allow the motor to come to a complete stop before engaging the spindle lock.

- Remove the screws from the rear safety guard.
- Remove the rear safety guard from the router.
- Follow the directions for installing and removing cutters in the 175100 router.

**WARNING:** Use this router table only with the 175100 router. Do not attempt to use any other router with this table. Failure to heed this warning could result in improper operation of the tool and serious personal injury.

- Return the rear safety guard to its proper position.
- Secure the rear safety guard by inserting and tightening the two screws previously removed.

**WARNING:** If you are changing a cutter immediately after use, be careful not to touch the cutter or collet with your hands or fingers. They will get burned because of the heat buildup from cutting. Always use the wrench provided.

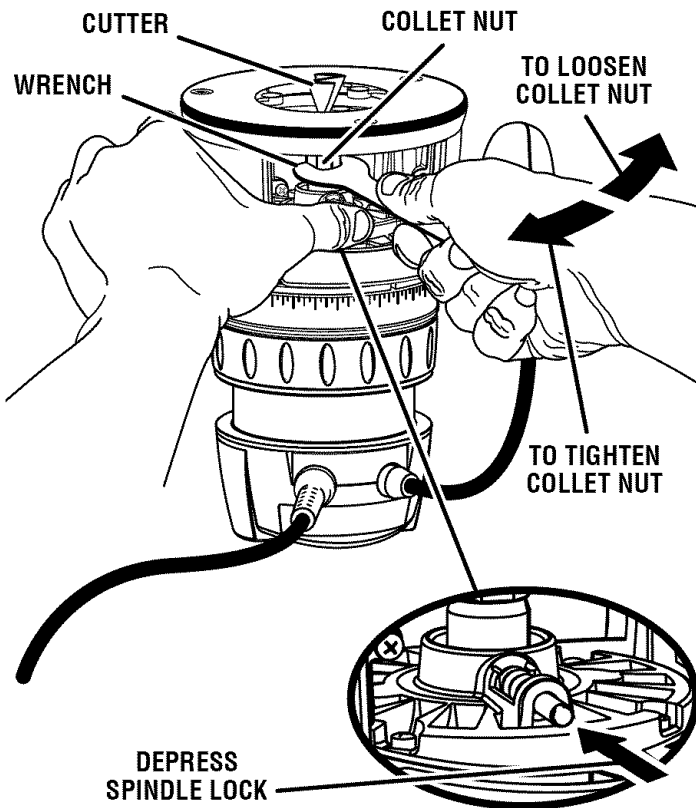


Fig. 14

## INSERTING THROAT PLATES

See Figure 15.

The throat plate provides a stable surface around the cutter and prevents objects from falling through the throat and damaging the spindle.

The proper size throat plate depends on the size and shape of the cutter. When inserted, the throat plate opening should be within approximately 1/4 in. (6.4 mm) of the outermost edge of the cutter.

- Position the throat plate over the throat opening in the router table.
- Align the tab in the throat plate with the slot in the throat opening.
- Snap throat plate down and into place as shown.

**NOTE:** To remove throat plate, pull gently until the throat plate snaps out.

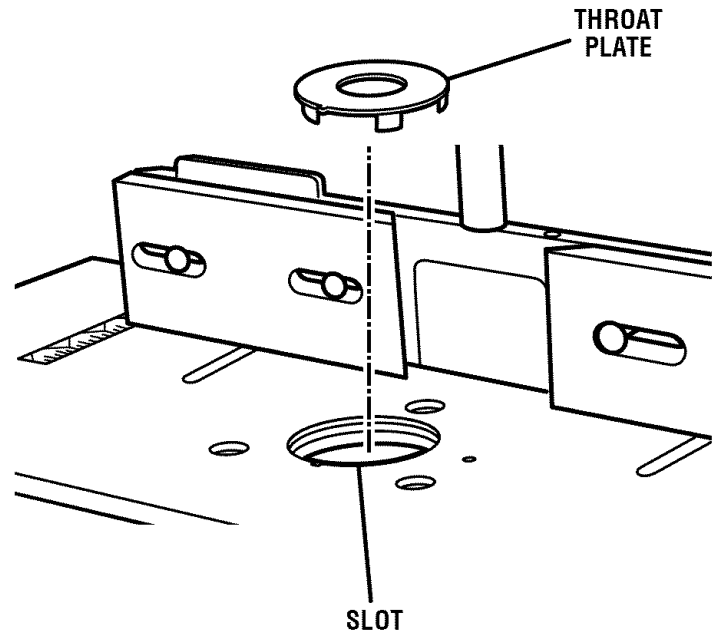


Fig. 15

# OPERATION

## ADJUSTING DEPTH OF CUT

See Figure 16.

We recommend that cuts be made at a depth not exceeding 1/8 in. (3.2 mm) and that several passes be made to reach depths of cut greater than 1/8 in. (3.2 mm).

- Unplug the router and the router table.

**WARNING:** Failure to unplug the router and router table could result in accidental starting causing serious injury.

- Unlock the clamping lever.
- Turn the depth adjusting ring until the tip of the cutter touches the work surface (zero depth of cut).
- Turn depth indicator ring to zero depth of cut on the scale.
- Turn the depth adjusting ring to the desired depth of cut.
- Lock the clamping lever securely.

**NOTE:** When you use certain cutters, you may need to remove the black plastic subbase from the router to achieve full depth of cut.

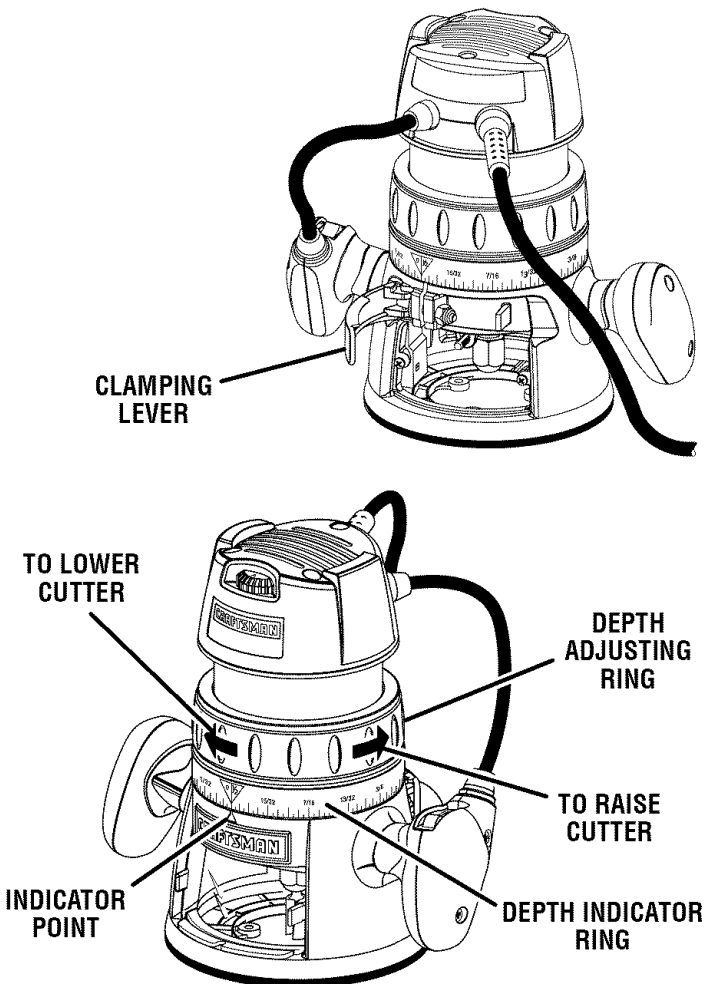


Fig. 16

## POSITIONING THE FENCE

See Figure 17.

The fence enables you to support and guide the workpiece.

- Loosen the fence lock knobs.
- Position the fence the proper distance from the cutter based on the amount of material you plan to remove.
- Tighten the fence lock knobs.

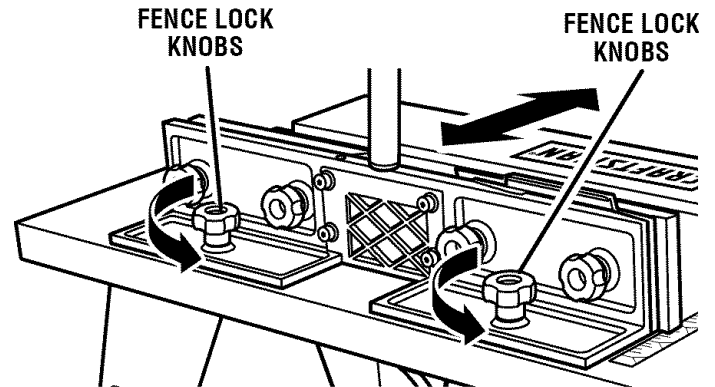


Fig. 17

## ADJUSTING THE STEP RISERS

See Figure 18.

The step risers, located on the outfeed side of the fence, enable you to support the workpiece as it exits the cutter. The step risers provide support for routing operations that remove up to 1/8 in. (3.2 mm) of material. The step risers are adjustable in 1/32 in. (0.8 mm) increments.

- Loosen the knob bolts on the rear of the fence.
- Push the riser forward and toward the throat.
- Tighten the knob bolts.

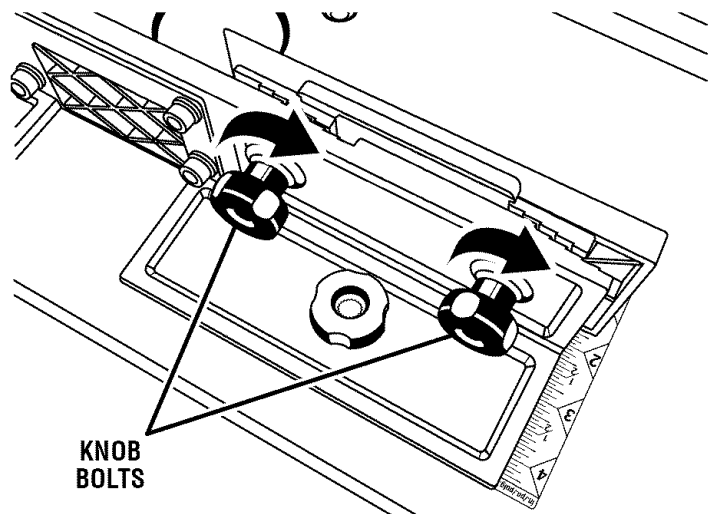


Fig. 18

# OPERATION

## ADJUSTING THE MITER GAUGE

See Figure 19.

- Loosen the miter gauge knob.
- Rotate the miter gauge to the desired angle.
- Tighten the miter gauge knob.

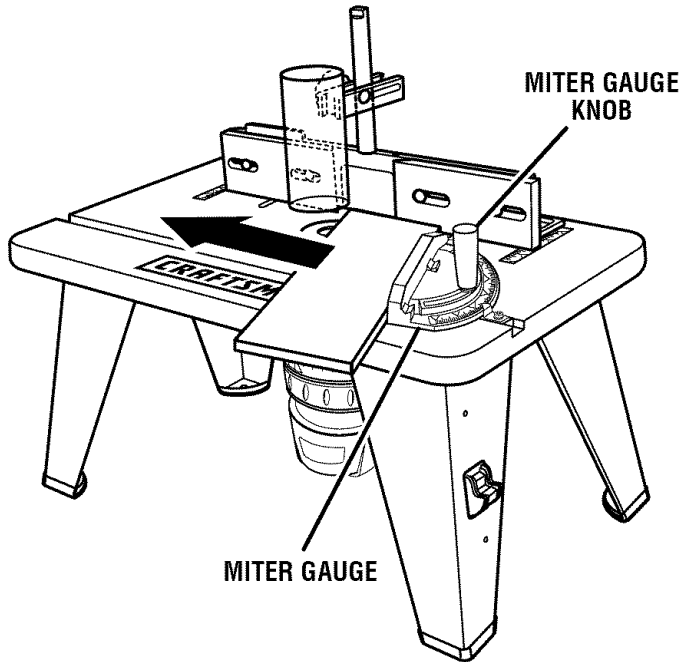


Fig. 19

## INSERTING THE STARTING PIN

See Figure 20.

The purpose of the starting pin is to act as a guide with piloted bits.

Place the starting pin on the router table and use it as a pivot point when cutting small, odd-shaped pieces.

**NOTE:** Do not use the fence when you are using the starting pin. Additionally, only use piloted cutters when using the starting pin.

- Place the starting pin into the threaded hole to the right of the router table throat opening.
- Turn the pin clockwise to secure.

**⚠ WARNING:** Using the fence when using the start pin can result in the work binding and kicking back resulting in serious personal injury. Do not use the fence or miter gauge when using the starter pin.

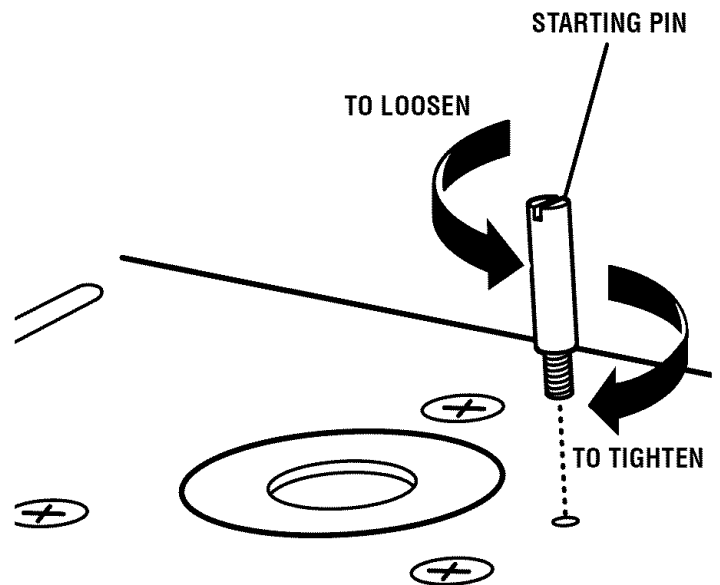




Fig. 20


# MAINTENANCE

 **WARNING:** When servicing, use only identical Craftsman replacement parts. Use of any other parts may create a hazard or cause product damage.

 **WARNING:** Always wear safety goggles or safety glasses with side shields during power tool operation or when blowing dust. If operation is dusty, also wear a dust mask.

## GENERAL MAINTENANCE

Avoid using solvents when cleaning plastic parts. Most plastics are susceptible to damage from various types of commercial solvents and may be damaged by their use. Use clean cloths to remove dirt, dust, oil, grease, etc.

 **WARNING:** Do not at any time let brake fluids, gasoline, petroleum-based products, penetrating oils, etc., come in contact with plastic parts. Chemicals can damage, weaken or destroy plastic which may result in serious personal injury.

Electric tools used on fiberglass material, wallboard, spackling compounds, or plaster are subject to accelerated wear and possible premature failure because the fiberglass chips and grindings are highly abrasive to bearings, brushes, commutators, etc. Consequently, we do not recommend using this tool for extended work on these types of materials. However, if you do work with any of these materials, it is extremely important to clean the tool using compressed air.

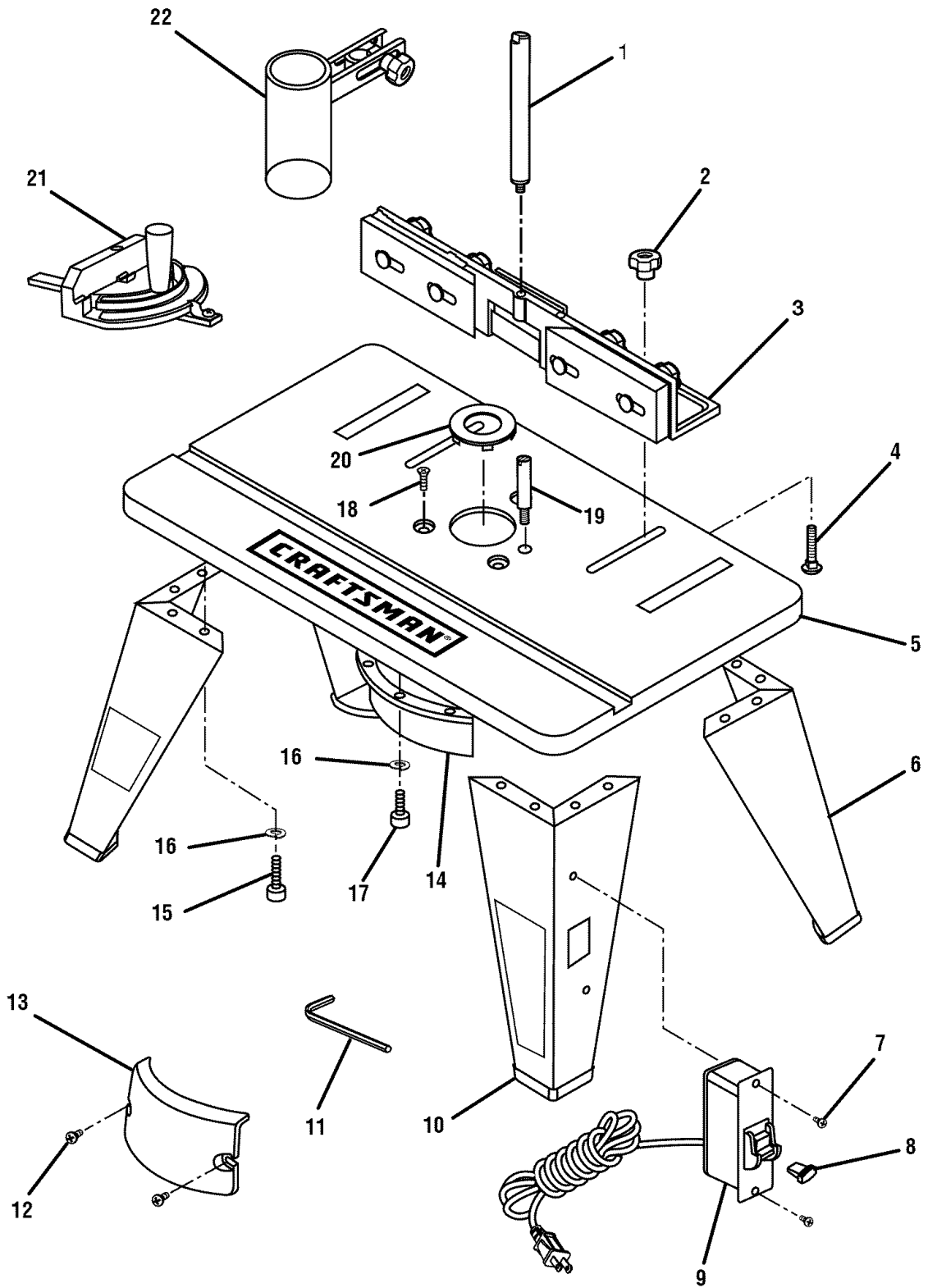
## LUBRICATION

All of the bearings in this tool are lubricated with a sufficient amount of high grade lubricant for the life of the unit under normal operating conditions. Therefore, no further lubrication is required.

Only the parts shown on the parts list are intended to be repaired or replaced by the customer. All other parts should be replaced at a Sears Service Center.



CRAFTSMAN ROUTER TABLE - MODEL NUMBER 315.265030



## CRAFTSMAN ROUTER TABLE – MODEL NUMBER 315.265030

The model number will be found on a plate attached to the motor housing. Always mention the model number in all correspondence regarding your **ROUTER TABLE** or when ordering repair parts.

### SEE BACK PAGE FOR PARTS ORDERING INSTRUCTIONS

KEY NO.	PART NO.	DESCRIPTION	QTY.
1	690559001	Guard Post .....	1
2	590378001	Lock Knob.....	2
3	A310695005	Fence Assembly.....	1
4	660141002	Carriage Bolt (M6 x 30 mm) .....	2
5	640736001	Router Table Top .....	1
6	A310695003	Table Leg.....	3
7	660206025	Screw (M3.5 x 10 mm) .....	2
8	303471-000	Switch Key .....	1
9	A310695006	Switch Assembly.....	1
10	A310695004	Front Leg.....	1
11	680873003	Hex Key.....	1
12	660683001	Screw (6-32 x 3/8 in.).....	2
13	512575001	Rear Safety Guard.....	1
14	590371001	Undertable Guard.....	1
15	660686001	Socket Head Screw (M6 x 19 mm) .....	16
16	690558001	Lock Washer (M6) .....	19
17	660169041	Socket Head Screw (M6 x 12 mm).....	3
18	660684001	Flat Head Machine Screws (10-32 x 3/4 in.).....	3
19	620216001	Starting Pin.....	1
20	512574001	Throat Plate A, 2 in.....	1
	512574002	Throat Plate B, 1-1/2 in.....	1
	512574003	Throat Plate C, 1-1/4 in.....	1
	512574004	Throat Plate D, 1 in.....	1
	512574005	Throat Plate E, 1/2 in.....	1
21	A310695008	Miter Gauge Assembly.....	1
22	A310695007	Cutter Guard Assembly.....	1
	983000-479	Operator's Manual	



# Get it fixed, at your home or ours!

## Your Home

For repair – **in your home** – of **all** major brand appliances, lawn and garden equipment, or heating and cooling systems, **no matter who made it, no matter who sold it!**

For the replacement parts, accessories and owner's manuals that you need to do-it-yourself.

For Sears professional installation of home appliances and items like garage door openers and water heaters.

**1-800-4-MY-HOME® (1-800-469-4663)**

Call anytime, day or night (U.S.A. and Canada)

[www.sears.com](http://www.sears.com)      [www.sears.ca](http://www.sears.ca)

---

## Our Home

For repair of carry-in items like vacuums, lawn equipment, and electronics, call or go on-line for the location of your nearest **Sears Parts & Repair Center.**

**1-800-488-1222**

Call anytime, day or night (U.S.A. only)

[www.sears.com](http://www.sears.com)

---

To purchase a protection agreement (U.S.A.) or maintenance agreement (Canada) on a product serviced by Sears:

**1-800-827-6655** (U.S.A.)

**1-800-361-6665** (Canada)

---

Para pedir servicio de reparación a domicilio, y para ordenar piezas:

**1-888-SU-HOGAR<sup>SM</sup>**

(1-888-784-6427)

Au Canada pour service en français:

**1-800-LE-FOYER<sup>MC</sup>**

(1-800-533-6937)

[www.sears.ca](http://www.sears.ca)

# SEARS