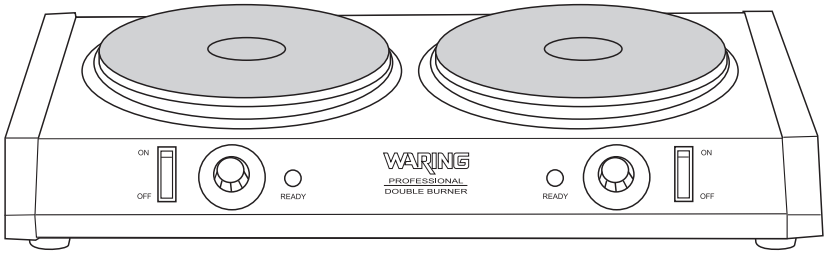
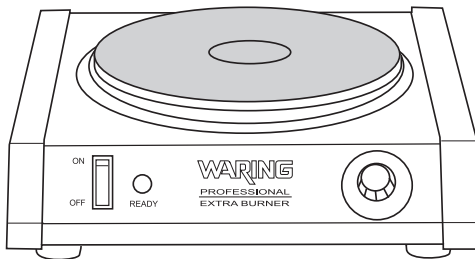




## PROFESSIONAL EXTRA BURNERS



**WDB600X**



**WEB300**

For your safety and continued enjoyment of this product, always read the instruction book carefully before using.

# IMPORTANT SAFEGUARDS

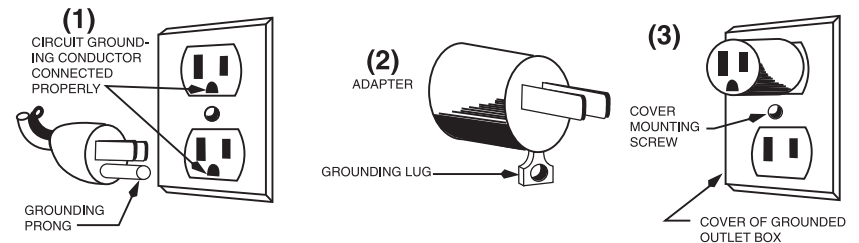
When using electrical appliances, especially when children are present, basic safety precautions should always be taken, including the following:

- 1. READ ALL INSTRUCTIONS.**
- Do not touch hot surfaces. Use handles or knobs.
- Move or lift the burners by their sides after they have cooled completely.
- To protect against electrical shock, do not immerse cord, plugs, or housing unit in water or other liquids.
- This appliance is not intended for use by persons (including children) with reduced physical, sensory, or mental capabilities, or lack of experience and knowledge, unless they have been given supervision or instruction concerning use of the appliance by a person responsible for their safety. Children should be supervised to ensure that they do not play with the appliance.
- Do not leave appliance unattended when it is on.
- 7. Unplug from the wall outlet when not in use and before cleaning. Allow to cool before putting on or taking off parts.**
- Do not operate any appliance with a damaged cord or plug, or after the appliance malfunctions or has been damaged in any manner. Call the nearest authorized Waring® Customer Service Center to return for examination, repair, or adjustment.
- The use of accessory attachments not recommended by the appliance manufacturer may cause injuries.
- Do not use outdoors or while standing in a damp area.
- Do not let cord hang over the edge of the table or counter, or touch hot surfaces.
- Do not place on or near a hot gas or electric burner, or in a heated oven.
- Extreme caution must be used when moving any pot or pan containing hot oil or other hot liquids from this appliance.
- When using this appliance, provide at least 4 to 6 inches of air space above and on all sides for air circulation.
- Do not use this appliance for anything other than its intended use.
- To disconnect, turn temperature control dial(s) to MIN, press power switch to OFF position, then remove plug from wall outlet.

**SAVE THESE INSTRUCTIONS  
APPROVED FOR COMMERCIAL USE**

# GROUNDING INSTRUCTIONS

For your protection, Waring® Commercial Cast-Iron Extra Burners are equipped with a 3-conductor cord set that has a molded 3-prong grounding-type plug, and should be used in combination with a properly connected grounding-type outlet as shown in Figure 1.



If a grounding-type outlet is not available, an adapter, shown in Figure 2, may be obtained so that a 2-slot wall outlet can be used with a 3-prong plug. As shown in Figure 3, the adapter must be grounded by attaching its grounding lug under the screw of the outlet cover plate.

**CAUTION:** Before using an adapter, it must be determined that the outlet cover plate screw is properly grounded. If in doubt, consult a licensed electrician. Never use an adapter unless you are sure it is properly grounded.

**NOTE:** Use of an adapter is not permitted in Canada.

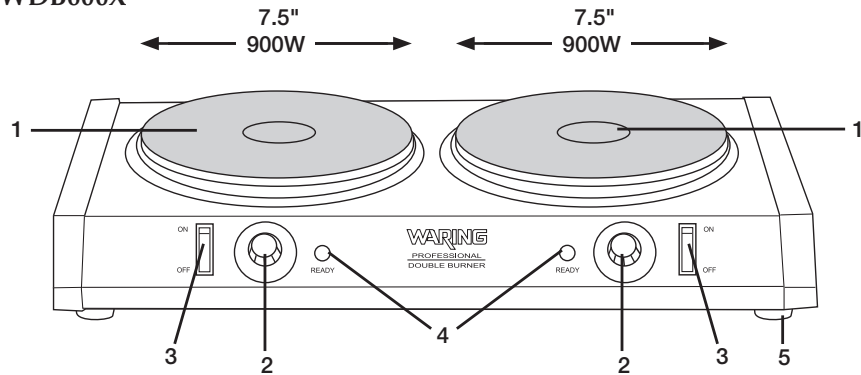
# SHORT CORD INSTRUCTIONS

A short power-supply cord is provided to reduce the risk resulting from becoming entangled in or tripping over a longer cord.

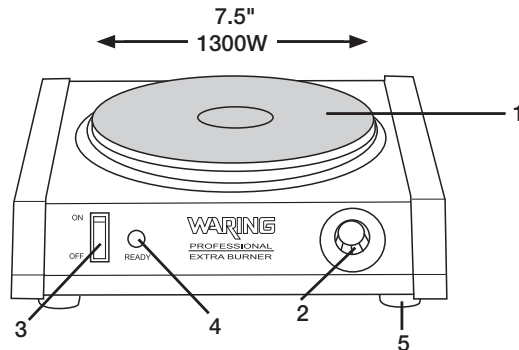
If a longer detachable power-supply cord or extension cord is used, (1) the marked electrical rating of the extension cord should be at least as great as the electrical rating of the appliance, and (2) the longer cord should be arranged so that it will not drape over the countertop or tabletop where it can be pulled on by children or tripped over unintentionally.

## PARTS

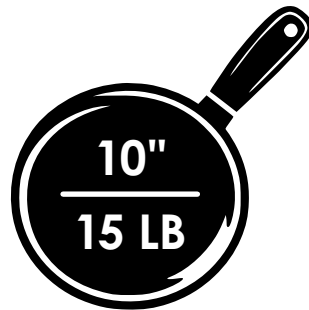
### WDB600X



### WEB300



1. Large cast-iron burner and burner ring
2. Adjustable temperature control
3. ON/OFF power switch
4. Ready indicator light
5. Nonskid feet



**RECOMMENDED  
FRY PAN SIZE = 10 INCHES**

**MAXIMUM LOAD CAPACITY  
PER BURNER = 15 LB.**

## OPERATION

Before plugging in your extra burner, check to ensure that the electrical circuit is not overloaded with other appliances. This unit should always be operated on a separate 120 volt 60 Hz AC circuit. Be certain that your extra burner is resting level on the countertop. There is one burner ring on the WEB300 and two burner rings on the WDB600X.

WEB300: 1 burner = 1300W

WDB600X: 2 burners = 900W each, 1800W total

Burners can be used for fast cooking, simmering and warming.

**NOTE:** RECOMMENDED MAXIMUM FRY PAN SIZE = 10 INCHES.

**NOTE:** MAXIMUM LOAD CAPACITY PER BURNER = 15 LB.

**NOTE:** Larger pan/pot sizes may cause decreased efficiency and uneven heating. Avoid using pans that are unstable and easily tipped.

1. Place unit on a flat surface.

**NOTE:** Be sure to place unit in a safe area and leave 4 to 6 inches of space above and around the unit for proper ventilation.

2. Plug unit into electrical outlet. Press power switch to ON position. Turn temperature control dial(s) from MIN to desired setting. Caution: Do not touch burner while in use.
3. You can choose a temperature setting from 1 to 5.  
Setting 1 — Low  
Setting 2 — Low/Medium  
Setting 3 — Medium  
Setting 4 — Medium/High  
Setting 5 — High

**NOTE:** When extra burner reaches desired temperature, the green Ready indicator light will illuminate. Your burner is now ready for use.

4. When using a pot or pan, place it in the center of the burner. It is recommended that you use a pot or pan that is the same size as the burner.
5. When cooking is complete, turn temperature control dial(s) to MIN. Press power switch to OFF position.
6. When not in use, unplug unit to ensure that it is off. This helps prevent accidental burns.



©2025 Waring  
314 Ella T. Grasso Ave.  
Torrington, CT 06790

[www.waring.com](http://www.waring.com)

Printed in China  
WEB300/WDB600X IB  
25WC94531

IB-18822