

valentina
collection



Sirius

Congratulations on your purchase!
Thank you for choosing a Sirius product.

SLT969 ceiling cassette user manual

INSTALLATION AND USE INSTRUCTIONS

SLT969
SLT969 WH

EAN #9351116002077
EAN #9351116002084

BEFORE YOU INSTALL	3
TO THE ATTENTION OF THE USER	4
PRE-INSTALLATION CHECKS	5
OPENING THE GLASS PANEL	7
INSTALLATION	8
DUCTING THE CASSETTE	9
REMOTE CONTROL	10
WIRING DIAGRAM	11
WARRANTY	12



The symbol on the product or on its packaging indicates that this product may not be treated as household waste. Instead it shall be handed over to the applicable collection point for the recycling of electrical and electronic equipment. By ensuring this product is disposed of correctly, you will help prevent potential negative consequences for the environment and human health, which could otherwise be caused by inappropriate waste handling of this product. For more detailed information about recycling of this product, please contact your local city office, your household waste disposal service or the shop where you purchased the product. This appliance is marked according to the European directive 2002/96/EC on waste electrical and electronic equipment (WEEE).

 **CAUTION** 

BEFORE YOU INSTALL – please read

Sirius warranty covers only Sirius product. If you choose to install a non-Sirius branded accessory such as flexible ducting, Sirius will only warrant the hood and motor. If installation is found to be the cause of failure or issue then charges will apply for service and parts.

Flexible ducting is not permitted under any circumstances. Flexible ducting has been found to increase noise levels, increase vibration and reduce airflow.

Sirius Semi-rigid or solid ducting can be used in lieu.

There is a range available to suit any application.

 **WARNING** 

The appliance must be installed and connected to the power supply only by a qualified technician.

- There shall be adequate ventilation of the room when the range hood is used at the same time as appliances burning gas or other fuels (not applicable to appliances that only discharge the air back into the room)
- The details concerning the method and frequency of cleaning
- There is a fire risk if cleaning is not carried out in accordance with the instructions;
- Do not flambé under the **range hood**;
- CAUTION: Accessible parts may become hot when used with cooking appliances.

Ducting available at www.siriusbrand.com

A reduction in the duct diameter from stated ducting size will void warranty.

If you are in doubt about the ducting, please contact Sirius on 1300 762 219 prior to installation



TO THE ATTENTION OF THE USER

This rangehood is designed to work with ducted outside evacuation.



Keep these instructions for use with the appliance. If the appliance should be sold or passed on to others, make sure that the instructions are passed on with it. We thank you for taking note of these suggestions before installing and using the appliance. They have been written for your personal safety and the safety of others.

SAFETY INSTRUCTIONS

These hoods have been designed for personal use in the home. The appliance must be used by adults. Make sure that the appliance is out of reach of children and that they do not use it to play with. Make sure that children do not operate the controls.

- When the appliance is delivered, check the overall appearance of the packaging. **Check PARTS LIST on page 20 for all included parts prior to discarding packaging.**

Any remarks should be written on the delivery coupon, of which you keep a copy.

Your appliance is designed for normal domestic use. It is not designed for commercial or industrial use, or for purposes other than those for which it was designed.

- Any consequences of or damage from incorrect installation or incorrect use of the appliance will not be covered by the manufacturer's guarantee.
- Do not ever change or try to change the characteristics of this appliance. This would be a danger. Repairs must be performed only by an authorised technician.
- Always disconnect the hood before carrying out cleaning or maintenance operations.
- Adequately ventilate the room when a rangehood and other appliances, powered by energy other than electricity, are used simultaneously, so that the hood does not suck any combustion fumes.
- It is not allowed to cook food over open flames (flambé) or operate gas hobs without pots or pans on them under the hood itself (the flames sucked into the hood might damage the appliance).
- Frying under the appliance must be done under constant supervision as hot oils and fats may ignite.
- Respect the guidelines for cleaning and replacement of grease filters. Accumulated deposits of grease are a fire hazard.

- This appliance must not be used over cook tops powered by wood or coal or in any case, over cook tops with power levels that could damage the appliance.
- Never use steam or high-pressure devices for cleaning your hood (regulations regarding electrical safety).
- Never use the rangehood without the grease filters.

At Sirius, we are constantly seeking to improve our products. We reserve the right to modify their technical, functional, or aesthetic characteristics deriving from their upgrading.

Motors manufactured and approved by Sirius only are to be used at all times. Failure to comply with this will result in the forfeit of the manufacturer warranty.

The air collected must not be conveyed into a flue used for smoke or fumes from appliances powered by anything other than electricity (central heating systems, bathroom and toilet exhausts, etc.). As far as discharging exhaust air is concerned, please follow the guidelines given by competent authorities.

PRE-INSTALLATION CHECKS

Connect all of the electrical components to the unit and motor to make sure both the unit and the motor are functioning properly.

(NOTE: The motor plug is fitted with a dummy plug - with the exception of SEM1 motor - to protect the connection from dust. Ensure the red dummy plug is removed and replaced with the two pin motor plug from the power transformer box. Failure to do so will result in only two speeds operating).



Remove all plugs and proceed with installation if both unit and motor are fully operational.



Installation must comply with the regulations in force regarding the ventilation of enclosed environments. In particular, discharged air must not be conveyed into a duct used for fumes discharge or discharge from appliances using gas or other combustible materials. Air cannot be ducted into roof space.

The use of discontinued ducts is not allowed without the approval of a qualified technician.

BEFORE YOU INSTALL

Sirius warranty covers only Sirius product. If you choose to install a non-Sirius branded accessory such as flexible ducting, Sirius will only warrant the hood and motor. If installation is found to be the cause of failure or issue then charges will apply for service and parts.

Flexible ducting is not permitted under any circumstances. Flexible ducting has been found to increase noise levels, increase vibration and reduce airflow. Sirius Semi-rigid or solid ducting can be used in lieu. There is a range available to suit any application.

Available at www.siriusbrand.com

**A reduction in the duct diameter from stated ducting size will void warranty.
If you are in doubt about the ducting, please contact Sirius on 1300 762 219 prior to installation.**

 **WARNING** 

Before proceeding with the installation of the ceiling cassette, please thoroughly inspect the entire unit (including the motor) for any damages, including all of the electrical connections. If any damage is found, cease installation and report it immediately to the retail partner that the cassette was purchased from.

 **NOTE** 

- Only use Sirius Ducting with a maximum length of 7 metres; from the outlet collar on the cassette to the exit point.
- Limit the number of elbows in the ducting, since each 90 degree bend reduces the air capacity by 1 lineal metre (e.g. if there are 2 x 90 degree bends, the maximum duct length should not exceed 5 metres.)
- Avoid abrupt changes of direction where possible, bends of more than 90 degrees should be avoided at all costs.
- The ducting applicable for this cassette is 220mm x 90mm rectangular Sirius Ducting and can be purchased through the retailer where the cassette was purchased, or visit www.siriusbrand.com. The ducting can be transitioned from rectangular to round if desired.

 **WARNING** 

Reduction of the ducting diameter will void the manufacturer warranty as it will severely affect the performance of the motor and may cause damage with prolonged usage.

 **WARNING** 

Use ducting approved by standards enforced, see www.siriusbrand.com for details for approved ducting. The manufacturer will not be deemed responsible for air capacity and noise problems caused by failure to comply with the above and no warranty on the product will be provided.

 **DANGER** 

FAILURE TO INSTALL THE SCREWS OR FIXING DEVICE IN ACCORDANCE WITH THESE INSTRUCTIONS MAY RESULT IN ELECTRICAL HAZARDS OR ELECTROCUTION.

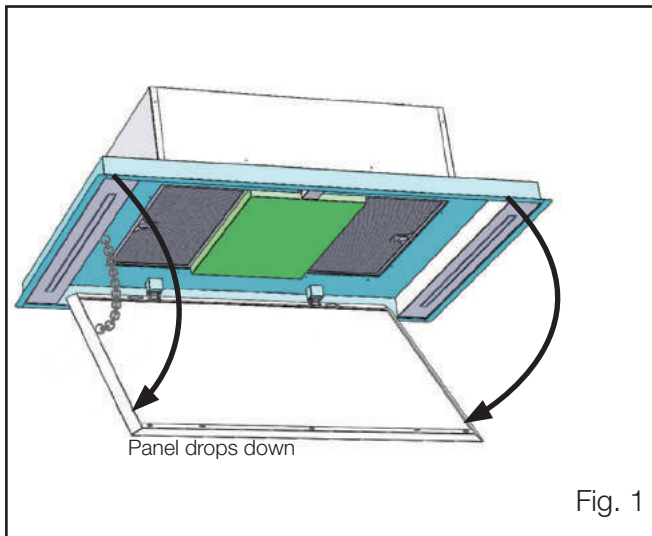
 **NOTE** 

The cassette requires one 10AMP GPO located inside the ceiling cavity to power both the lighting and the motor.

The ceiling cassette is designed for a ceiling height of up to 2700mm high.

OPENING THE GLASS PANELS - SLT969

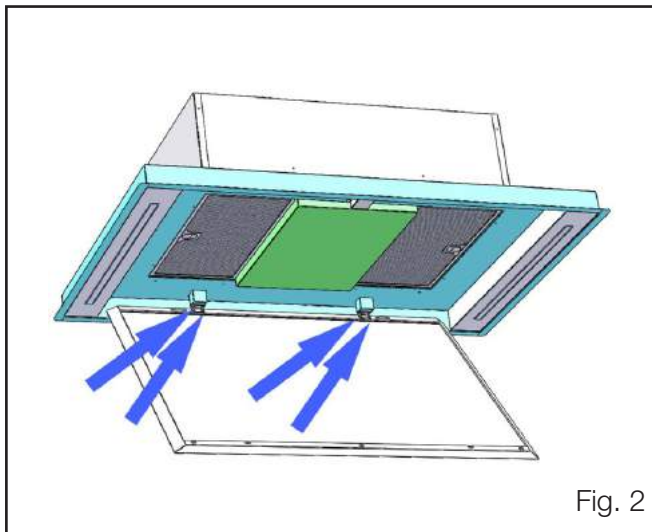
On the side where the speed control light is visible, pull down the centre of the panel. This panel is held on by a strong magnet. Allow the panel to swing open to expose the grease filters. (Fig. 1)



After swinging open the panel, disconnect the lighting by depressing the tabs on the connection and pulling on the cable.

To ensure that no damage is caused during the installation process, remove the panels by unscrewing the hinges on the underside of the cassette.

This will also lighten the Cassette to make lifting it into place and installation easier. (Fig. 2)

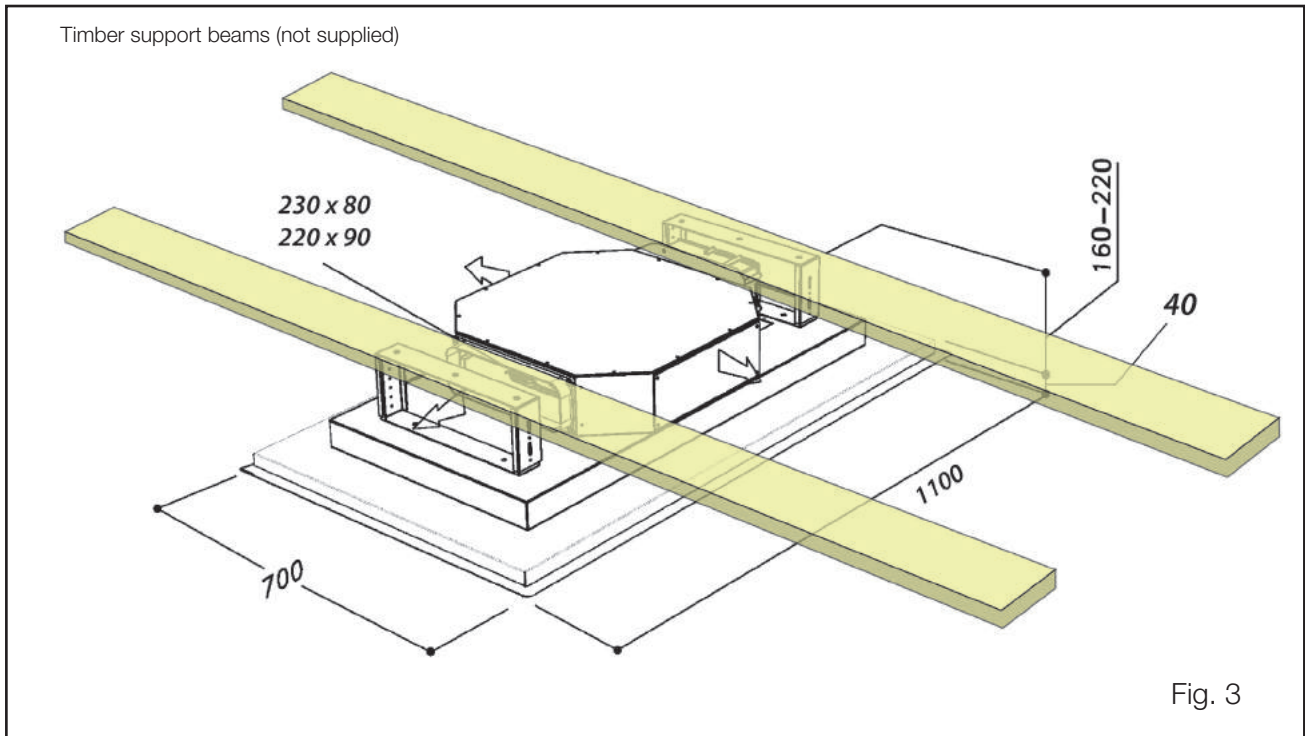


INSTALLATION

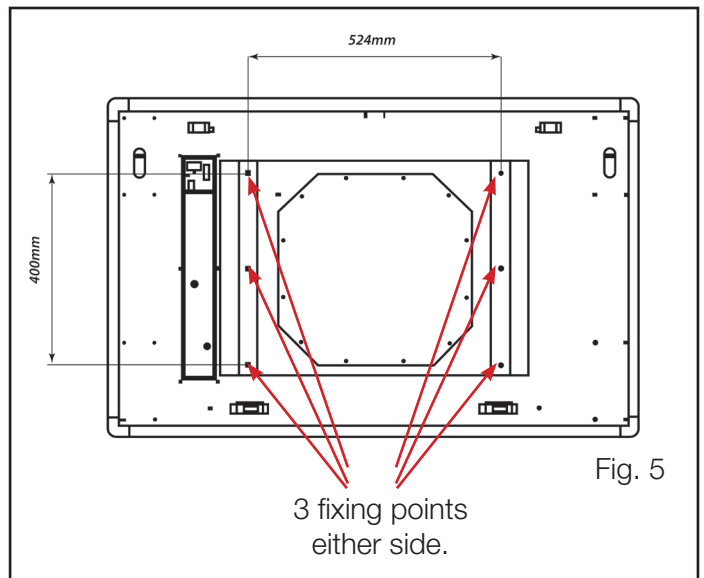
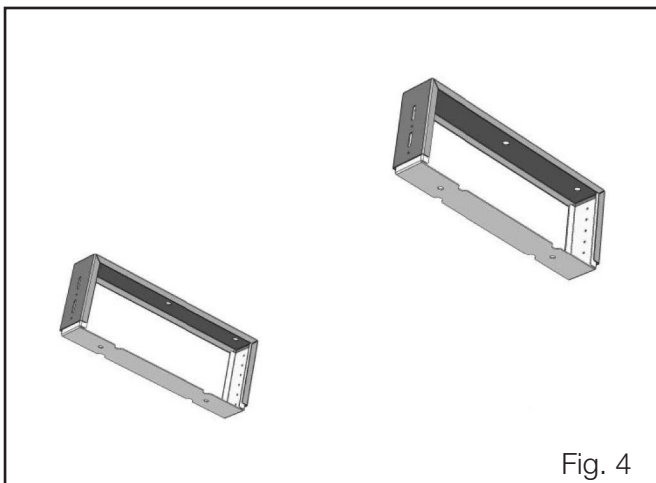


As every installation will differ slightly depending on the ceiling cavity of the dwelling, this installation instruction shall be used as a guide only.

1. Horizontal support beams need to be installed in the cavity above to support the weight of the cassette. (Fig 3.)



2. Attach the bottom half of the mounting brackets to the Cassette (Fig. 4) by using the supplied 6 x 20mm threaded screws and screwing them in from the inside of the cassette in the specified location. (Fig. 5)



3. Fix the top section of the mounting brackets to the horizontal support beams in the ceiling, taking measurements to make sure they are aligned with the brackets already attached to the cassette.

4. Lift the cassette to the desired height and fix in place with the use of the 10mm supplied screws that are inserted on the sides of the mounting brackets. (Fig. 6)

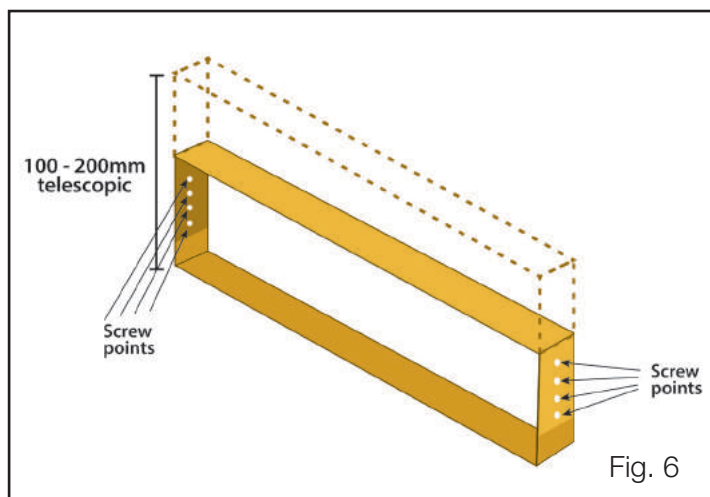


Fig. 6

DUCTING THE CASSETTE

1. Part 'A' will come fitted to the short side of the cassette from the factory. If either of the long side options are required, remove Part 'A' from the short side by removing the 4 x 10mm screws holding it in place. Unscrew the 4 x 10mm screws from the long side and remove the blocking plate, Part 'A' in its place and use the blocking plate to cover the gap on the short side.

2. Connect Part 'B' to Part 'A' and fix in place with duct tape to ensure a tight seal. Do not use screws as this can cause a whistling noise once the motor is switched on.

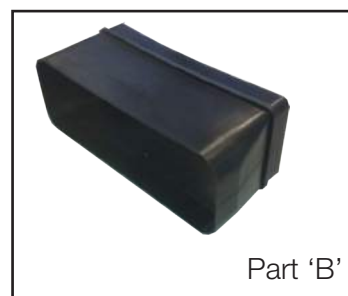
3. Connect part 'C' (needs to be purchased separately and does not come included in the packaging with the cassette) to Part 'B'.

4. Connect part 'D' (needs to be purchased separately and does not come included in the packaging with the cassette) to Part 'C'.

5. If additional lengths of ducting are needed to get to the exit point, use another Part 'C' and another Part 'D'.



Part 'A'



Part 'B'



Part 'C'



Part 'D'

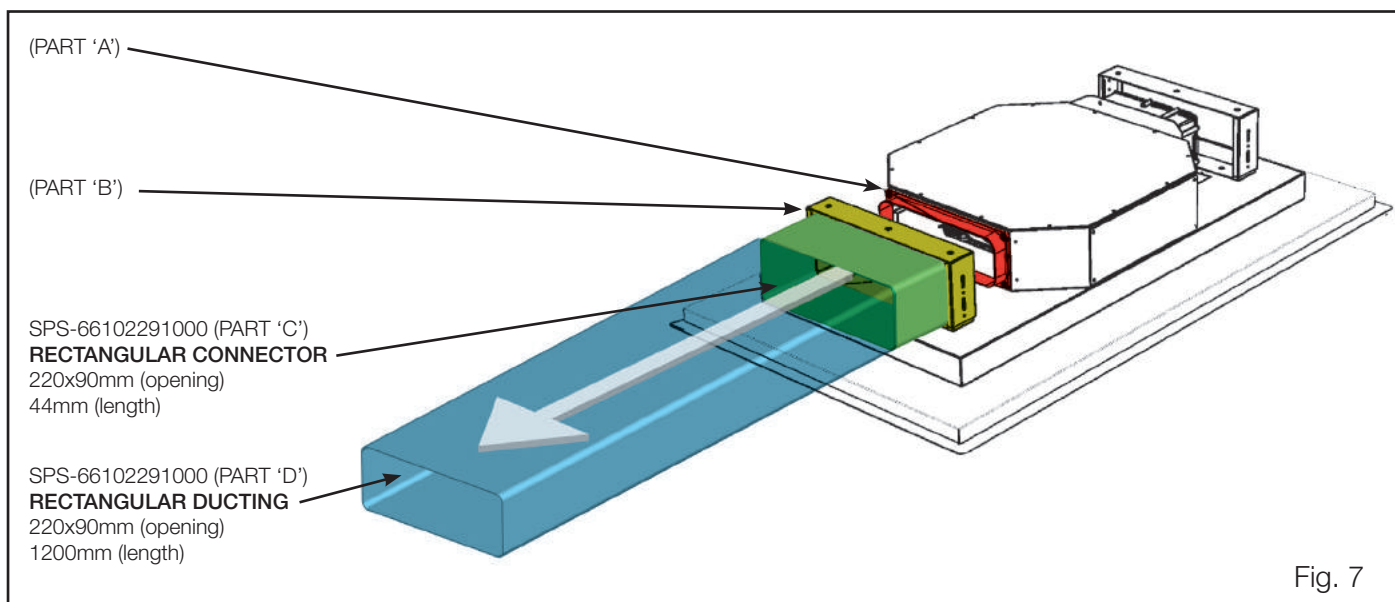


Fig. 7

REMOTE CONTROL

Working:

6 channel control for rangehood remote.

- When the rangehood is first turned on, hold the lighting button for 5 seconds.

RC001 - RADIO CONTROL

Radio control used for the remote operation of rangehoods.

TECHNICAL DATA

- Alkaline battery powered: 12 V mod. 23 A
- Operating frequency: 433.92 Mhz
- Combinations: 32.768
- Max. consumption: 25 mA
- Operating temperature: -20 ÷ + 55 °C
- Dimensions: 120 x 45 x 15 mm.

OPERATING DESCRIPTION

The transmitter is equipped with 5 buttons for cooker hood management, as specified below:

- ☉ : Light ON/OFF command.
- ⏻ : Motor ON (speed level 1) / OFF command.
- : Reduce speed.
- + : Increase speed.
- ⌚ : 10-minute timer.

INITIAL OPERATING CONDITION

The manufacturer supplies the radio control unit ready to be used with codes preset in the factory.



OPERATION MODE

Standard configuration:

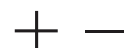
Standard configuration requires all rangehood radio control systems to be provided with the same transmission code. In the event two rangehoods are installed in the same room or nearby, each system may affect the operation of the another. Therefore, the code of one radio control system must be changed.

Generating a new transmission code:

The radio control system is provided with preset codes. Should new codes be required, proceed as follows: Press simultaneously buttons:



for two seconds. When LEDs are on, press buttons:



(within 5 seconds). The LEDs flashing 3 times indicate the procedure is completed.

WARNING! This operation deletes permanently the preset codes.

Learning the new transmission code.

Once the transmission code is changed in the radio control unit, the electronic central unit of the cooker hood must be made to set the new code in the following way:

Press the main power-off button of the hood and then restore power to the electronic control unit. Within the next 15 seconds, press the Light Button to synchronise the central unit with the code.

Reset of the Factory configuration:

To restore the Factory configuration, follow the procedure described below: press simultaneously buttons:



for 2 seconds. When LEDs light on, press buttons:



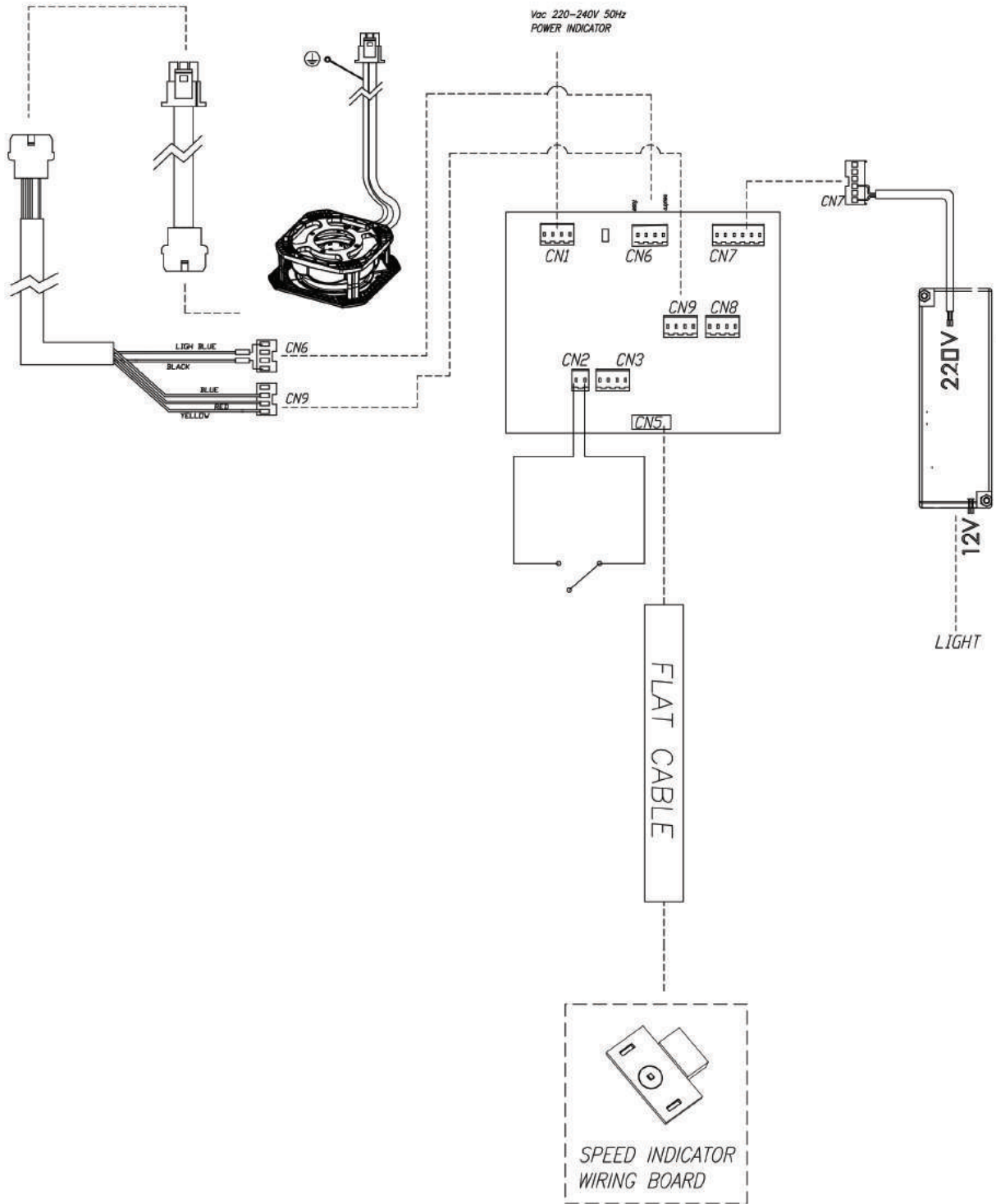
(within 5 seconds). LEDs flashing 6 times indicate the procedure is completed.

WARNING! This operation deletes permanently the preset codes.

Emergency button:

In the event that the radio control does not work, use the emergency button to switch the appliance off. After any necessary repairs have been performed, reset the emergency button.

SLT969 WIRING DIAGRAMS



CLEANING AND MAINTAINENCE

1. Cleaning the filters in the dishwasher.

- Clean the mesh filters by removing them from the cassette by pulling on the tab and dropping them down.
- Run them through a cycle in the dishwasher. Once the cycle is completed ensure that they have air dried completely and replace them into the cassette.

2. Hand washing the filters

- Clean the mesh filters by removing them from the cassette by pulling on the tab and dropping them down.
- Using warm/hot water with a liquid detergent, soak them to soften up grease deposits and run hot water from the tap through the filters.
- Once they have been washed, ensure that they have air dried completely an replace them into a cassette.

3. Cleaning the body of the hood

- Do not use abrasive sponges or scourers to clean the body. Do not use any cleaning agents that are caustic.
- Using warm water and a neutral detergent, wipe over the panels and exposed areas with a cloth or soft sponge.
- Ensure that the unit is dried after cleaning to remove any excess detergents.

ARISIT PTY LIMITED (Australia)
ABN 23 091 515 294

40-44 Mark Anthony Drive
Dandenong South VIC 3175
P: Sales & Service: 1300 762 219
F: Sales & Service: (03) 9768 0838
E: arisit@arisit.com

ARISIT PTY LIMITED (New Zealand)
1A Howe Street Newton, Auckland 1145
PO Box 68-140 Newton, Auckland 1145
P: (09) 306 1020 - Fax: (09) 302 0077
E: sales2@aristonappliances.co.nz

www.arisit.com

www.arisitwarranties.com.au

www.siriusbrand.com

 **6 Year
Warranty**
when Sirius ducting is used.

Full replacement warranty on parts and labour. Check website for T&Cs.

Sirius Hoods and ducting products are only available from our select group of Sirius Professional Stockists nationwide. For the latest list of Sirius Stockists near you, please refer to www.siriusbrand.com

All efforts have been made to ensure that the information provided in this brochure is correct at the time of printing. Due to continuous product improvement and ongoing development, Sirius reserves the right to make changes to the products and technical data without prior notice. Some products appearing in this brochure may be for illustrative purposes only. Diagrams are indicative measures only. Prior to commencing cabinetry cutouts the operating/installation instructions accompanying the product must be referred to at www.siriusbrand.com