



Freezer

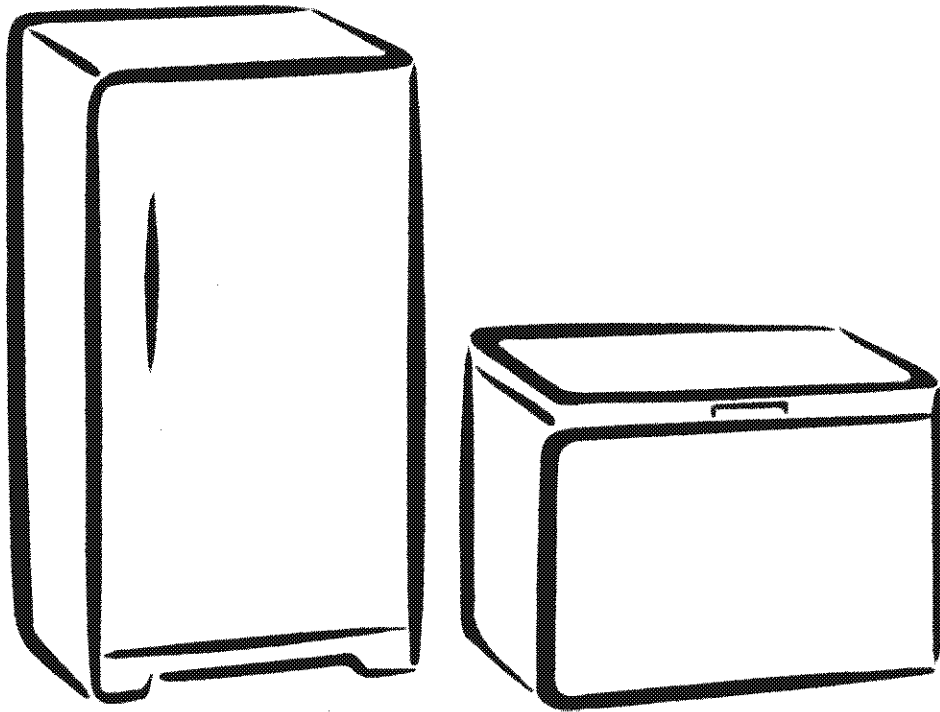
Use & Care Guide

Congelador

Guía para su uso y cuidado

Congélateur

Guide d'utilisation et d'entretien



ENGLISH

ESPAÑOL

FRANÇAIS

Sears, Roebuck and Co., Hoffman Estates, IL 60179 U.S.A.
Sears Canada, Inc., Toronto, Ontario, Canada M5B 2B8

www.sears.com
216902500 (0212)

TABLE OF CONTENTS

Record Serial/Model Numbers	2
Safety	2-3
Warranty	3
Canada - Limited Warranty	4
First Steps	5-6
Energy Saving Tips	6
Setting the Temperature Control	6
Freezer Optional Features	7-8
Care and Cleaning	9-10
Power Failure / Freezer Failure	10
Troubleshooting Guide	11-12
Sears Service	13
Sears Canada Customers	13

SERIAL / MODEL NUMBERS

READ AND SAVE THESE INSTRUCTIONS

This Owner's Guide provides specific operating instructions for your model. Use your freezer only as instructed in this guide. These instructions are not meant to cover every possible condition and situation that may occur. Common sense and caution must be practiced when installing, operating, and maintaining any appliance.

Record Your Model and Serial Numbers

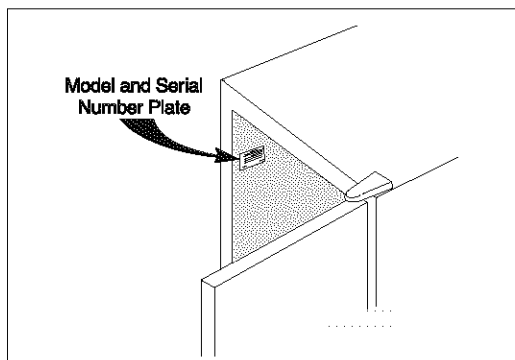
Record the model and serial numbers in the space provided below. The serial plates are located either on the upper left wall inside the freezer (upright models), or the left exterior wall (chest models).

Model Number: **253.** _____

or **970.** _____

Serial Number: _____

Purchase Date: _____



IMPORTANT SAFETY INSTRUCTIONS

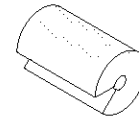
READ ALL INSTRUCTIONS BEFORE USING THIS FREEZER.

⚠ WARNING FOR YOUR SAFETY

Do not store or use gasoline, or other flammable vapors and liquids in the vicinity of this or any other appliance. Read product labels for flammability and other warnings.

⚠ WARNING CHILD SAFETY

- Destroy carton, plastic bags, and any exterior wrapping material immediately after the freezer is unpacked. Children should never use these items to play. Cartons covered with rugs, bedspreads, plastic sheets or stretch wrap may become airtight chambers, and can quickly cause suffocation.
- Remove all staples from the carton. Staples can cause severe cuts, and destroy finishes if they come in contact with other appliances or furniture.
- An empty, discarded ice box, refrigerator, or freezer is a very dangerous attraction to children.
- Remove and discard any spacers used to secure the shelves during shipping. Small objects are a choke hazard to children.



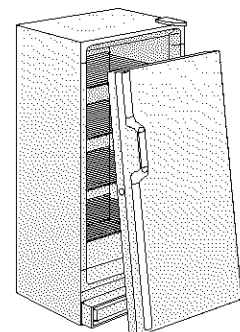
Remove the door(s) of any appliance that is not in use, even if it is being discarded.

Proper Disposal of Your Refrigerator/Freezer

⚠ WARNING Risk of child entrapment. Child entrapment and suffocation are not problems of the past. Junked or abandoned refrigerators or freezers are still dangerous — even if they will sit for "just a few days." If you are getting rid of your old refrigerator or freezer, please follow the instructions below to help prevent accidents.

BEFORE YOU THROW AWAY YOUR OLD REFRIGERATOR/FREEZER:

- Remove doors.
- Leave shelves in place so children may not easily climb inside.



⚠ WARNING ELECTRICAL INFORMATION

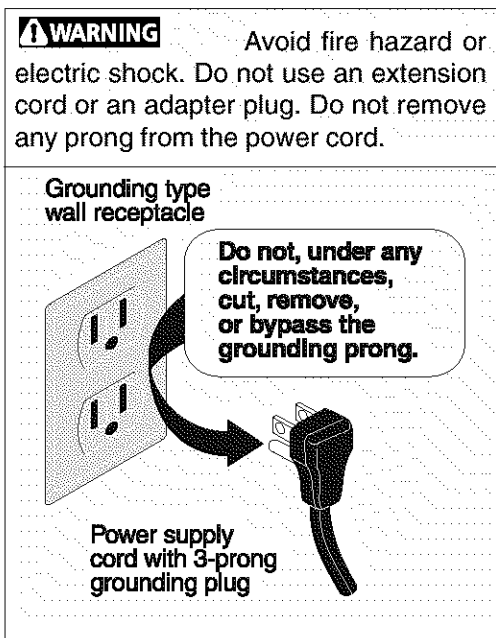
These guidelines must be followed to ensure that safety mechanisms in the design of this freezer will operate properly.

- **Refer to the serial plate for correct electrical rating.**
The power cord of the appliance is equipped with a three-prong grounding plug for your protection against shock hazards. It must be plugged directly into a properly grounded three-prong receptacle, protected with a 15 amp time delay fuse or circuit breaker. The receptacle must be installed in accordance with local codes and ordinances. Consult a qualified electrician. Receptacles protected by Ground Fault Circuit Interrupters (GFCI) are **NOT RECOMMENDED**. **Do not use an extension cord or adapter plug.**
- If voltage varies by 10% or more, freezer performance may be affected. Operating freezer with insufficient power can damage the motor. Such damage is not covered under the warranty. If you suspect your household voltage is high or low, consult your power company for testing.
- To prevent the freezer from being turned off accidentally, do not plug unit into an outlet controlled by a wall switch or pull cord.
- Do not pinch, knot, or bend the cord in any manner.

OTHER PRECAUTIONS

- Never unplug the freezer by pulling on the cord. Always grip the plug firmly, and pull straight out from the receptacle.

NOTE: Turning the temperature control to OFF turns off the compressor, but does not disconnect the power to the light bulb or other electrical components.



FREEZER WARRANTY

FULL ONE-YEAR WARRANTY ON FREEZER

For one year from the date of purchase, when this freezer is operated and maintained according to the instructions provided in this Owner's Guide, Sears will repair this freezer, free of charge, if defective in material or workmanship.

FULL FIVE-YEAR WARRANTY ON SEALED REFRIGERATION SYSTEM

For five years from the date of purchase, when this freezer is operated and maintained according to the instructions provided in this Owner's Guide, Sears will repair the sealed system (consisting of refrigerant, connecting tube, and compressor), free of charge, if defective in material or workmanship.

The above freezer warranty applies only to freezers which are used for storage of food for private household purposes.

FOOD LOSS COVERAGE LIMITATION

If promptly reported to your nearest Sears store or Service Center, Sears will reimburse you up to a total of \$100.00 for the value of food, as verified by Sears, lost while stored in the freezer when used for private household purposes as a result of:

1. Defects that occur during the first year following the date of purchase.
2. Failure of the sealed refrigeration system (including refrigerant, connecting tubing, and compressor), due to defects that occur during the second through fifth year after purchase. If freezer is used for other than private household purposes, Sears will not be responsible for any food loss. Food losses resulting from other than the above stated defects, such as natural spoilage, power interruption, inadequate power, manual disconnect of power supply, fire damage, water damage, theft, etc., are beyond our control and are not covered by Sears. Some states do not allow the exclusion or limitation of incidental or consequential damages, so the above limitation or exclusion may not apply to you. This warranty gives you specific legal rights, and you may have other rights which vary from state to state.

Warranty service is available by contacting the **NEAREST SEARS SERVICE CENTER/DEPARTMENT** in the United States. See the back page of this manual.

Sears, Roebuck and Co.
Dept. 817WA
Hoffman Estates, IL 60179

CANADA — LIMITED WARRANTY



Freezers

Sears Canada Inc., warrants every new *Kenmore Elite* freezer to be free from defects in material or workmanship. What Sears will do, free of charge, in case of defect:

What is covered?	How long warranted? (from date of sale)	Parts: At Sears' option, either repair or supply replacement part for:	Labor: Install repaired or replacement part for:
The Compressor	TEN (10) YEARS	TEN (10) YEARS	FIVE (5) YEARS
The Sealed System (consisting of refrigerant, evaporator, and condenser)	FIVE (5) YEARS	FIVE (5) YEARS	FIVE (5) YEARS
All other parts or adjustments	ONE (1) YEAR	ONE (1) YEAR	ONE (1) YEAR

Normal Responsibility of the Customer

The following items, since they are not manufacturing defects, are not included in the warranty, but are the responsibility of the customer:

- 1) Damage to finish after delivery.
- 2) Improper power supply, low voltage, or any defects in the house wiring system or appliance not connected to electric outlet.
- 3) Replacement of light bulbs.
- 4) Damage caused by moving the product from its original installation.
- 5) Service required as a result of alteration, abuse, fire, floods, or acts of God.
- 6) Providing adequate air circulation to the refrigerating system.
- 7) Proper use and care of product as listed in the customer's manual; proper setting of the controls.

If any service is required under this warranty, simply call **1-800-4-MY-HOMESM** (1-800-469-4663).

This warranty is in addition to any statutory warranty. The above warranty covers *Kenmore Elite* Freezers sold and operated in Canada only and shall not apply if the freezer is used for other than domestic purposes.

Sears Maintenance Agreement

Maintain the value of your *Kenmore* freezer with a Sears Maintenance Agreement.

SEARS CANADA INC. • Toronto, Canada • M5B 2B8

ENGLISH

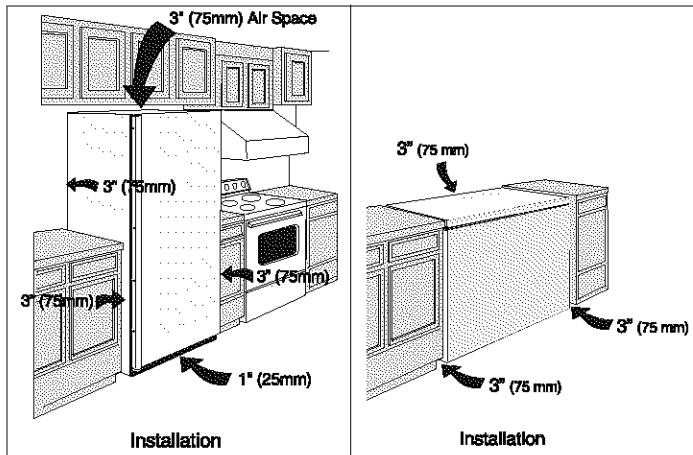


FIRST STEPS

This Owner's Guide provides specific operating instructions for your model. Use the freezer only as instructed in this Owner's Guide. **Before starting the freezer, follow these important first steps.**

INSTALLATION

- Choose a place that is near a grounded electrical outlet. **Do Not** use an extension cord or an adapter plug.
- For the most efficient operation, the freezer should be located where surrounding temperatures will not exceed 110°F (43°C). Temperatures of 32°F (0°C) and below will NOT affect freezer operation. Additional compressor heaters are not recommended.
- Allow space around the unit for good air circulation. Leave a 3 inch (75 mm) space on all sides of the freezer for adequate circulation.



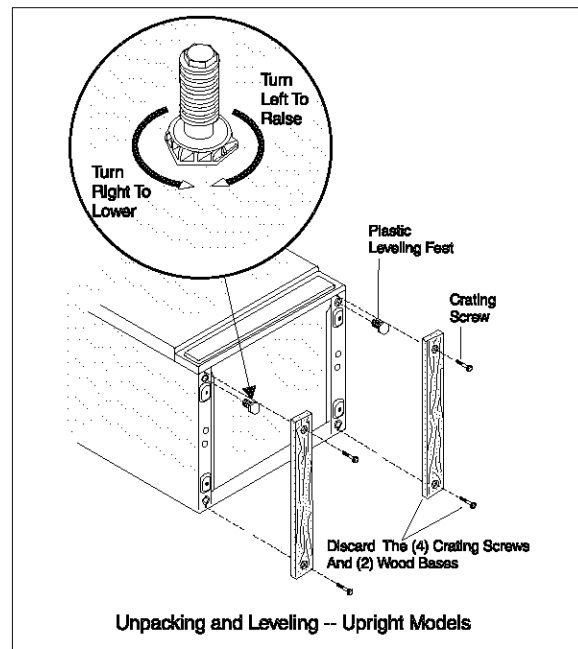
NOTE: The exterior walls of the freezer may become quite warm as the compressor works to transfer heat from the inside. Temperatures as much as 30° F warmer than room temperature can be expected. For this reason it is particularly important in hotter climates to allow enough space for air circulation around your freezer.

LEVELING

The freezer must have all bottom corners resting firmly on a solid floor. The floor must be strong enough to support a fully loaded freezer. **NOTE:** It is **Very Important** for your freezer to be level in order to function properly. If the freezer is not leveled during installation, the door may be misaligned and not close or seal properly, causing cooling, frost, or moisture problems.

To Level Upright Models:

After discarding crating screws and wood base, use a carpenter's level to level the freezer from front-to-back. Adjust the plastic leveling feet in front, ½ bubble higher, so that the door closes easily when left halfway open.

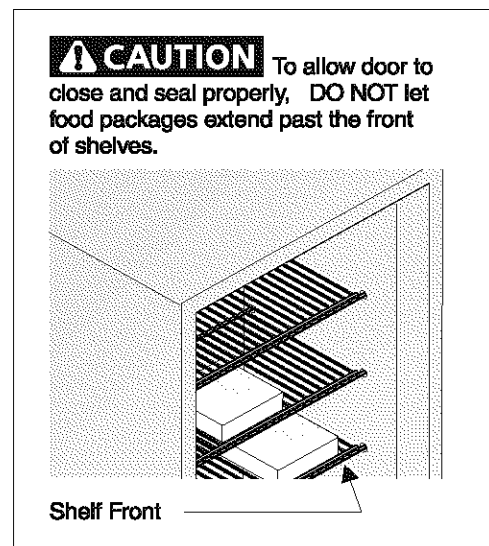


To Level Chest Models:

If needed, add metal or wood shims between foot pads and floor.

CLEANING

- Wash any removable parts, the freezer interior, and exterior with mild detergent and warm water. Wipe dry. **Do not use harsh cleaners on these surfaces.**
- Do not use razor blades or other sharp instruments, which can scratch the appliance surface when removing adhesive labels. Any glue left from the tape can be removed with a mixture of warm water and mild detergent, or touch the residue with the sticky side of tape already removed. **Do not remove the serial plate.**



DOOR REMOVAL (UPRIGHT MODELS)

If door must be removed:

1. Gently lay freezer on its back, on a rug or blanket.
2. Remove two base screws and base panel. Remove wire from clips on bottom of cabinet. (Figure 1)
3. Unplug connector by holding the cabinet connector in place, and pulling door connector out. (Figure 1)
4. Remove bottom hinge screws. (Figure 1)
5. Remove plastic top hinge cover.
6. Remove screws from top hinge.
7. Remove top hinge from cabinet.
8. Remove door and bottom hinge from cabinet.
9. To replace door, reverse the above order and securely tighten all screws to prevent hinge slippage.

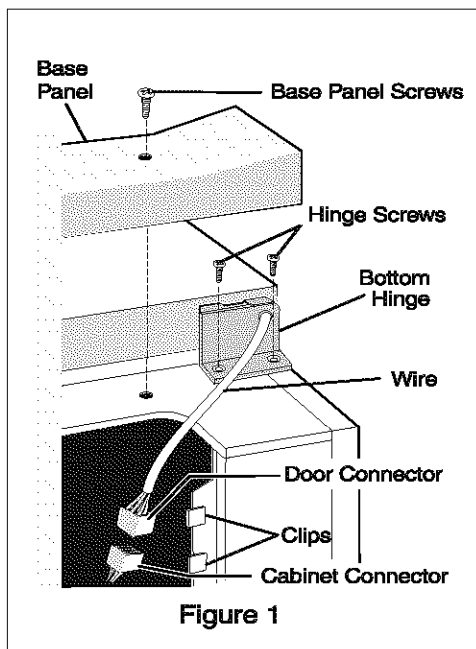


Figure 1

ENERGY SAVING TIPS



- The freezer should be located in the coolest area of the room, away from heat producing appliances or heating ducts, and out of direct sunlight.
- Let hot foods cool to room temperature before placing in the freezer. Overloading the freezer forces the compressor to run longer. Foods that freeze too slowly may lose quality or spoil.
- Be sure to wrap foods properly, and wipe containers dry before placing them in the freezer. This cuts down on frost build-up inside the freezer.
- Freezer shelves should not be lined with aluminum foil, wax paper, or paper toweling. Liners interfere with cold air circulation, making the freezer less efficient.
- Organize and label food to reduce door openings and extended searches. Remove as many items as needed at one time, and close the door as soon as possible.

SETTING THE TEMPERATURE CONTROL

COOL DOWN PERIOD

- For safe food storage, allow 4 hours for the freezer to cool down completely. The freezer will run continuously for the first several hours. Foods that are already frozen may be placed in the freezer after the first few hours of operation. Unfrozen foods should NOT be loaded into the freezer until the freezer has operated for 4 hours.
- When loading the freezer, freeze only 3 pounds of fresh food per cubic foot of freezer space at one time. Distribute packages to be frozen evenly throughout the freezer. It is not necessary to turn the control knob to a colder setting while freezing food.

TEMPERATURE CONTROL

The temperature control is located inside the freezer on upright models, and on the left outside wall on chest models. The temperature is factory preset to provide satisfactory food storage temperatures. However, the temperature control is adjustable to provide a range of temperatures for your personal satisfaction. If a colder temperature is desired, turn the temperature control knob toward COLDEST and allow several hours for temperatures to stabilize between adjustments.

FREEZER OPTIONAL FEATURES

NOTE: Your freezer may have some, or all of the features listed below. Become familiar with these features, and their use and care.

SECURITY LOCK WITH POP-OUT KEY

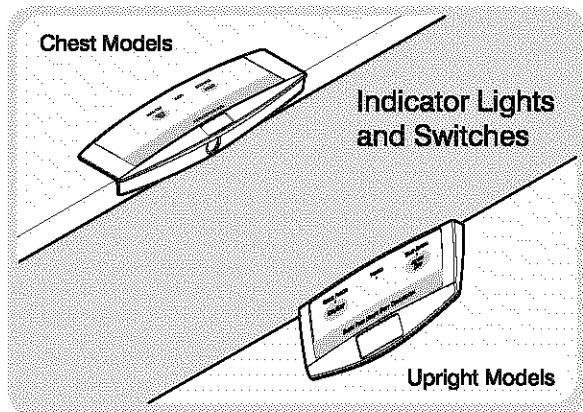
This security lock fastens the door snugly, ensuring stored food is secure. To lock or unlock the freezer, push the key into the lock and turn. The key pops out of the lock after it has been turned.

POWER ON LIGHT

The yellow *Power On* indicator light indicates that the freezer is properly connected to electrical power. The light glows even when the temperature control is turned to OFF. If the light goes out, refer to *Freezer Does Not Run* Section in the **Troubleshooting Guide**. If the freezer appears to be operating, the light element may be burned out. Call an authorized servicer for replacement.

TEMP ALARM (ELECTRONIC MODELS)

This feature is designed to provide a warning if the inside temperatures reach an unsafe level. The Temp. Alarm Feature operates on household electricity. It will not function if household electricity is interrupted. (Battery backup models only: A battery backup feature will take over the alarm system if the household electricity is interrupted.)



When the freezer is initially plugged in, the red Temp. Alarm Indicator Light blinks. The indicator light will continue to blink until the freezer has reached a safe freezing temperature. If a malfunction causes an unsafe temperature inside the freezer, the red light will blink and the buzzer will sound. To silence the buzzer, press the ALARM OFF button. The Indicator Light will continue to blink until a safe freezing temperature is again reached. If the problem is not resolved within 12 hours, the buzzer will turn on again.

If the ALARM OFF button is not pressed, the buzzer will turn itself off automatically after 48 hours, but the red Temp Alarm Light will continue to blink.

Alarm Function Table

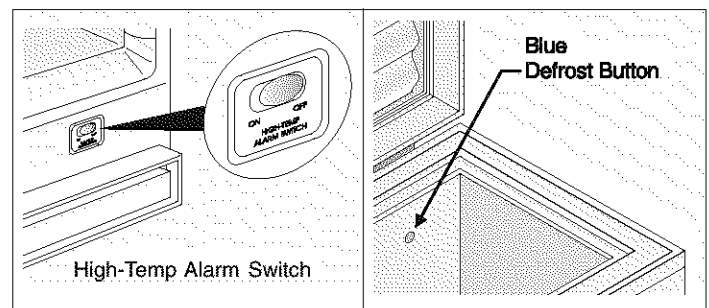
Indicator	Condition	Function	Response
Yellow LED	Steady on	Normal Operation	None
	Flashing (Battery Models Only)	Low / No battery	Replace with new 9 volt battery
Red LED	Off	No alarm condition	None
	Flashing	Interior temperature too warm	Pressing and hold alarm off button until red LED stops flashing.
	Flashing every 5 seconds (Battery Models Only)	Power lost to the unit and interior temperature too warm	When power is restored, red LED flashes until interior temperature drops
Green LED	Off	Quick freeze OFF	None
	On	Quick freeze ON	None
Audible Buzzer	Off	Normal Operation	None
	One chirp every 4 seconds	Interior temperature too warm	Momentarily pressing alarm off button shuts off audible alarm
	Two chirps every 10 seconds (Battery Models Only)	Low / No battery	To stop chirp press and hold alarm off button for 3 seconds. Replace with new 9 volt battery.
	Two short chirps every 5 seconds (Battery Models Only)	Power lost to the unit and interior temperature too warm	Momentarily pressing alarm off button shuts off audible alarm

HIGH-TEMP ALARM SWITCH (SOME MODELS)

An audible alarm will sound if the freezer temperature reaches unsafe levels. The alarm operates on household electricity. If the power fails, the alarm will not perform.

An ON/OFF switch allows the high temperature alarm to be deactivated if desired. **NOTE:** You must open the freezer door to view the alarm switch. The freezer is shipped with the switch in the OFF position. After the freezer has run long enough to lower the temperature, you may set the switch to the ON position.

- To activate the alarm, set the switch to the ON position.
- To deactivate the alarm, set the switch to the OFF position.



BLUE DEFROST BUTTON (SOME CHEST MODELS)

IMPORTANT: It is time to defrost and clean the freezer when the blue defrost button is completely covered with frost.

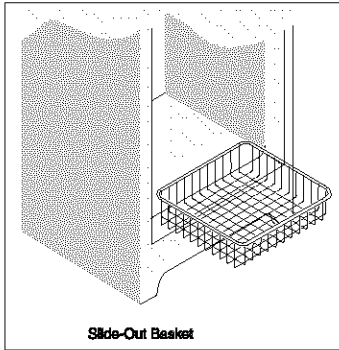
QUICK FREEZE (SOME MODELS)

To activate the Quick Freeze feature, push the switch to the ON position. The green light will appear, and the freezer will run continuously (except when in Flash Defrost), driving freezer temperature to the coldest possible temperatures. The switch automatically turns off after 72 hours. Use this feature just prior to adding large quantities of unfrozen foods (not to exceed 3 pounds per cubic foot of freezer space).

ENGLISH

SLIDE-OUT BASKET OR TRIVET (UPRIGHT MODELS)

A Slide-Out Basket (some models) or Trivet (some models), located at the bottom of the freezer, provides separate storage space for items that are difficult to store on freezer shelves. To remove the basket or trivet, pull out and lift up.



SECURITY LOCK WITH POP-OUT KEY

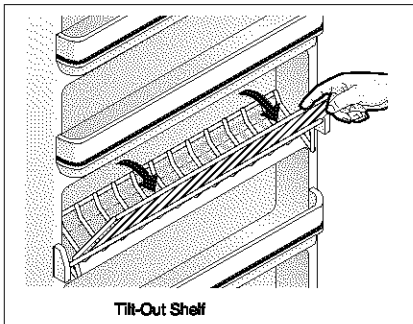
This security lock fastens the door snugly, ensuring stored food is secure. To lock or unlock the freezer, push the key into the lock and turn. The key pops out of the lock after it has been turned.

INTERIOR LIGHT

The light comes on automatically when the door is opened. To replace the light bulb, turn the temperature control to OFF and **unplug the electrical cord**. Replace the old bulb with a bulb of the same wattage.

TILT-OUT SHELF

This shelf is located inside on the freezer door and provides additional storage space. To access an item, tilt top of "basket" shelf down.

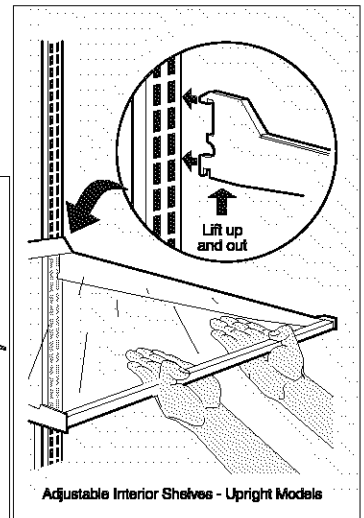
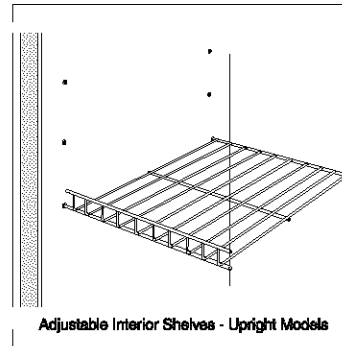


DROP FRONT SHELF (UPRIGHT MODELS)

The Drop Front Shelf, located at the bottom of the freezer, provides a separate compartment for small irregular shaped items or large, bulky items. Lift the shelf front up and out to remove.

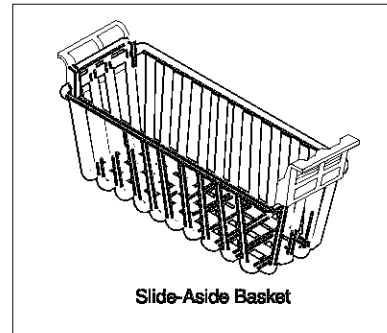
ADJUSTABLE INTERIOR SHELVES (UPRIGHT MODELS)

Multi-position adjustable interior shelves can be moved to any position for larger or smaller packages. The shipping spacers that stabilize the shelves for shipping may be removed and discarded.



SLIDE-ASIDE BASKET (SOME CHEST MODELS)

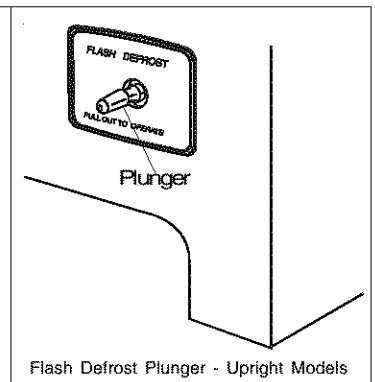
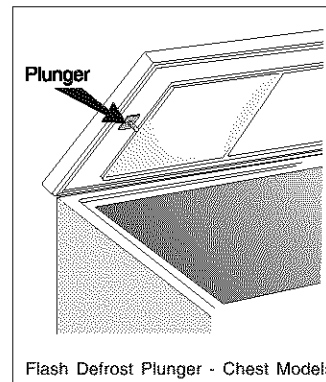
This basket helps organize odd-shaped items. To reach other packages in the freezer, slide the basket aside, or lift out.



FLASH DEFROST (SOME MODELS)

NOTE: The Temp Alarm should be turned off when freezer is being defrosted. The Flash Defrost feature will defrost the freezer in a fraction of the time usually required. To defrost, **remove all food**, and follow these steps:

- Pull out the Flash Defrost plunger. Leave door open while defrosting. (Closing the freezer lid/door will push in the plunger, and the Flash Defrost will be turned off.)
- Push the Flash Defrost plunger in to restart freezer after defrosting.
- Turn on the Temp Alarm after freezer has reached freezing temperatures.



CARE AND CLEANING

CAUTION Damp objects stick to cold metal surfaces. Do not touch interior metal surfaces with wet or damp hands.

Some upright freezers are frost-free and defrost automatically, but should be cleaned occasionally.

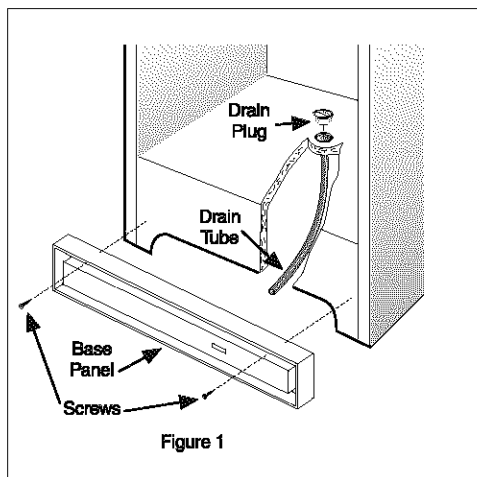
BETWEEN DEFROSTINGS

To avoid frequent defrosting, occasionally use a plastic scraper to remove frost. Scrape with a pulling motion. Never use a metal instrument to remove frost.

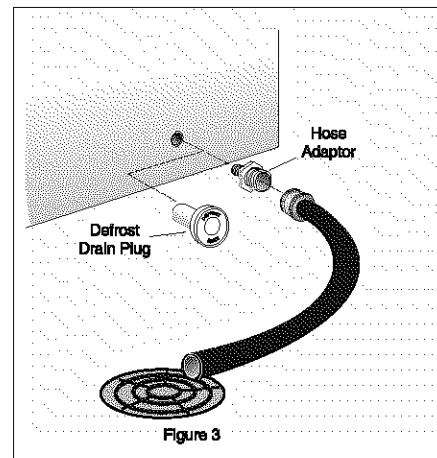
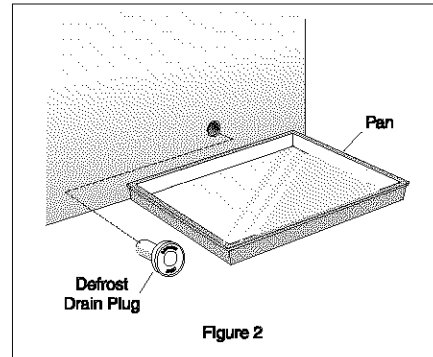
DEFROSTING

It is important to defrost and clean the freezer when $\frac{1}{4}$ to $\frac{1}{2}$ inch of frost has accumulated. Frost may tend to accumulate faster on the upper part of the freezer due to warm, moist air entering the freezer when the door is opened. Remove food and leave the door open when defrosting the freezer.

- **On upright models** with a defrost drain (Figure 1), remove the drain plug on the inside floor of the freezer by pulling straight out. To access the external drain tube on models with a base panel, first remove the two screws from the base panel. Locate the drain tube near the left center under the freezer. Place a shallow pan under the drain tube. Defrost water will drain out. Check pan occasionally so water does not overflow. A $\frac{1}{2}$ inch garden hose adaptor can be used to drain the freezer directly into a floor drain. If your model is not equipped with an adaptor, one can be purchased at most hardware stores. Replace the drain plug when defrosting and cleaning are completed. If the drain is left open, warm air may enter the freezer.

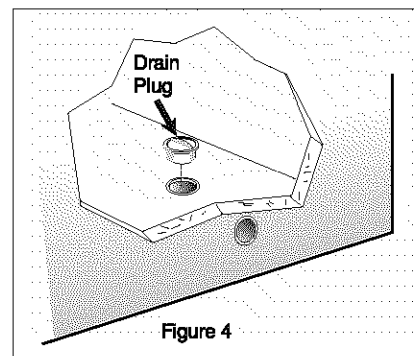


- **On chest models** with a defrost drain, place a shallow pan or the Divider/Drain Pan (some models) beneath the drain outlet (Figure 2). A $\frac{1}{2}$ inch garden hose adaptor can be used to drain the freezer directly into a floor drain (Figure 3). Pull out the drain plug inside the freezer, and pull off the outside defrost drain plug (Figure 4).



Defrost water will drain out. Check pan occasionally so water does not overflow. Replace the drain plugs when defrosting is completed.

- **On models without a defrost drain**, place towels or newspapers on the freezer bottom to catch the frost. The frost will loosen and fall. Remove towels and/or newspapers.
- If the frost is soft, remove it by using a plastic scraper. If the frost is glazed and hard, fill deep pans with hot water and place them on the freezer bottom. Close the freezer door. Frost should soften in about 15 minutes. Repeat this procedure if necessary.



CLEANING THE INSIDE

After defrosting, wash inside surfaces of the freezer with a solution of two tablespoons of baking soda in one quart (1.136 litres) warm water. Rinse and dry. Wring excess water out of the sponge or cloth when cleaning in the area of the controls, or any electrical parts.

Wash the removable parts and door basket with the baking soda solution mentioned above, or mild detergent and warm water. Rinse and dry. **Never** use metallic scouring pads, brushes, abrasive cleaners, or alkaline solutions on any surface. Do not wash removable parts in a dishwasher.

CLEANING THE OUTSIDE

Wash the cabinet with warm water and mild liquid detergent. Rinse well and wipe dry with a clean soft cloth. Replace parts and food.

⚠ WARNING If leaving the freezer door open while on vacation, make certain that children cannot get into the freezer and become entrapped.

VACATION AND MOVING TIPS

Short Vacations:

Leave the freezer operating during vacations of less than three weeks.

Long Vacations:

If the freezer will not be used for several months:

- Remove all food and unplug the power cord.
- Clean and dry the interior thoroughly.
- Leave the freezer door open slightly, blocking it open if necessary, to prevent odor and mold growth.

Moving: When moving the freezer, follow these guidelines to prevent damage:

- Disconnect the power cord plug from the wall outlet.
- Remove foods, then defrost, and clean the freezer.
- Secure all loose items such as base panel, baskets, and shelves by taping them securely in place to prevent damage.
- In the moving vehicle, secure freezer in an upright position to prevent movement. Also protect outside of freezer with a blanket, or similar item.

POWER FAILURE / FREEZER FAILURE

NOTE: Do not open freezer door unnecessarily if freezer is off for several hours.

If a power failure occurs, frozen foods will stay frozen for at least 24 hours if the freezer is kept closed. If the power failure continues, pack seven or eight pounds of dry ice into the freezer every 24 hours. Look in the Yellow Pages under *Dry Ice, Dairies, or Ice Cream Manufacturers* for local dry ice suppliers. Always wear gloves and use caution when handling dry ice.

If the freezer has stopped operating, see *Freezer Does Not Run* in the **Troubleshooting Guide**. If you cannot solve the problem, call an authorized servicer immediately.

If the freezer remains off for several hours, follow the directions above for the use of dry ice during a power failure. If necessary, take the food to a local locker plant until the freezer is ready to operate. Look in the Yellow Pages under *Frozen Food Locker Plants*.

TROUBLESHOOTING GUIDE		Before calling for service, review this list. It may save you time and expense. This list includes common occurrences that are not the result of defective workmanship or materials in this appliance.
PROBLEM	CAUSE	CORRECTION
FREEZER DOES NOT RUN		
Freezer does not run.	<ul style="list-style-type: none"> Freezer is plugged into a circuit that has a ground fault interrupt. Temperature control is in the OFF position. Freezer may not be plugged in, or plug may be loose. House fuse blown or tripped circuit breaker. Power outage. 	<ul style="list-style-type: none"> Use another circuit. If you are unsure about the outlet, have it checked by a certified technician. See Setting the Temperature Control Section. Ensure plug is tightly pushed into outlet. Check/replace fuse with a 15 amp time-delay fuse. Reset circuit breaker. Check house lights. Call local Electric Company.
Freezer runs too much or too long.	<ul style="list-style-type: none"> Room or outside weather is hot. Freezer has recently been disconnected for a period of time. Large amounts of warm or hot food have been stored recently. Doors are opened too frequently or too long. Freezer door may be slightly open. Temperature Control is set too low. Freezer gasket is dirty, worn, cracked, or poorly fitted. 	<ul style="list-style-type: none"> It's normal for the freezer to work harder under these conditions. It takes 4 hours for the freezer to cool down completely. Warm food will cause freezer to run more until the desired temperature is reached. Warm air entering the freezer causes it to run more. Open doors less often. See "DOOR PROBLEMS" Section. Turn control knob to a warmer setting. Allow several hours for the temperature to stabilize. Clean or change gasket. Leaks in the door seal will cause freezer to run longer in order to maintain desired temperature.
Interior Freezer temperature is too cold.	<ul style="list-style-type: none"> Temperature Control is set too low. 	<ul style="list-style-type: none"> Turn the control to a warmer setting. Allow several hours for the temperature to stabilize.
Interior Freezer temperature is too warm.	<ul style="list-style-type: none"> Temperature Control is set too warm. Door is kept open too long or is opened too frequently. Door may not be seating properly. Large amounts of warm or hot food may have been stored recently. Freezer has recently been disconnected for a period of time. 	<ul style="list-style-type: none"> Turn control to a colder setting. Allow several hours for the temperature to stabilize. Warm air enters the freezer every time the door is opened. Open the door less often. See "DOOR PROBLEMS" Section. Wait until the freezer has had a chance to reach its selected temperature. Freezer requires 4 hours to cool down completely.
Freezer external surface temperature is warm.	<ul style="list-style-type: none"> The external freezer walls can be as much as 30°F warmer than room temperature. 	<ul style="list-style-type: none"> This is normal while the compressor works to transfer heat from inside the freezer cabinet.
SOUND AND NOISE		
Louder sound levels whenever freezer is on.	<ul style="list-style-type: none"> Modern freezers have increased storage capacity and more stable temperatures. They require a high efficiency compressor. 	<ul style="list-style-type: none"> This is normal. When the surrounding noise level is low, you might hear the compressor running while it cools the interior.
Longer sound levels when compressor comes on.	<ul style="list-style-type: none"> Freezer operates at higher pressures during the start of the ON cycle. 	<ul style="list-style-type: none"> This is normal. Sound will level off or disappear as freezer continues to run.

PROBLEM	CAUSE	CORRECTION
SOUND AND NOISE (Cont.)		
Popping or cracking sound when compressor comes on.	<ul style="list-style-type: none"> • Metal parts undergo expansion and contraction, as in hot water pipes. 	<ul style="list-style-type: none"> • This is normal. Sound will level off or disappear as freezer continues to run.
Bubbling or gurgling sound, like water boiling.	<ul style="list-style-type: none"> • Refrigerant (used to cool freezer) is circulating throughout the system. 	<ul style="list-style-type: none"> • This is normal.
Vibrating or rattling noise.	<ul style="list-style-type: none"> • Freezer is not level. It rocks on the floor when it is moved slightly. • Floor is uneven or weak. Freezer rocks on floor when it is moved slightly. • Freezer is touching the wall. 	<ul style="list-style-type: none"> • Level the unit. Refer to "Leveling" in the First Steps Section. • Ensure floor can adequately support freezer. Level the freezer by putting wood or metal shims under part of the freezer. • Relevel the freezer or move freezer slightly. Refer to "Leveling" in the First Steps Section.
WATER/MOISTURE/FROST INSIDE FREEZER		
Moisture forms on inside freezer walls.	<ul style="list-style-type: none"> • Weather is hot and humid, which increases internal rate of frost build-up. • Door may not be seating properly. • Door is kept open too long, or is opened too frequently. 	<ul style="list-style-type: none"> • This is normal. • See "DOOR PROBLEMS" Section. • Open the door less often.
WATER/MOISTURE/FROST OUTSIDE FREEZER		
Moisture forms on outside of freezer.	<ul style="list-style-type: none"> • Door may not be seating properly, causing the cold air from inside the freezer to meet warm moist air from outside. 	<ul style="list-style-type: none"> • See "DOOR PROBLEMS" Section.
ODOR IN FREEZER		
Odors in freezer	<ul style="list-style-type: none"> • Interior needs to be cleaned. • Foods with strong odors are in the freezer. 	<ul style="list-style-type: none"> • Clean interior with sponge, warm water, and baking soda. • Cover the food tightly.
DOOR PROBLEMS		
Door will not close.	<ul style="list-style-type: none"> • Freezer is not level. It rocks on the floor when it is moved slightly. • Floor is uneven or weak. Freezer rocks on floor when it is moved slightly. 	<ul style="list-style-type: none"> • This condition can force the cabinet out of square and misalign the door. Refer to "Leveling" in the First Steps Section. • Level the floor by using wood or metal shims under the freezer or brace floor supporting the freezer.
LIGHT BULB IS NOT ON		
Light bulb is not on.	<ul style="list-style-type: none"> • Light bulb is burned out. • No electric current is reaching the freezer. 	<ul style="list-style-type: none"> • Follow directions under "Interior Light" in the Freezer Features Section. • See "FREEZER DOES NOT RUN" Section.
AUTOMATIC ICE MAKER NOT WORKING		
Automatic ice maker not working. (some models)	<ul style="list-style-type: none"> • Ensure the Wire Signal Arm is not in the UP position. • Ice maker should produce 4 to 5 pounds of ice in a 24 hour period. • Water supply is turned off. • Water pressure is too low. • The freezer is not cold enough. 	

SEARS SERVICE

"We Service What We Sell" is our assurance you can depend on Sears for service ...and Sears service is nationwide. Your freezer has added value when you consider that Sears has service units nationwide, staffed with professional technicians specifically trained on Sears appliances and having parts, tools and equipment to ensure that we meet our pledge to you... "We Service What We Sell."

SEARS MAINTENANCE AGREEMENT

Maintain the value of your *Kenmore® Elite* freezer with a Sears Maintenance Agreement. Sears freezers are designed, manufactured, and tested for years of dependable operation. Yet, any modern appliance may require service from time to time.

The Sears Maintenance Agreement

- Is your way to buy tomorrow's service at today's price.
- Eliminates repair bills resulting from normal use.
- Allows for as many service calls as required.
- Provides for service by professional Sears-trained technicians.
- Offers an annual preventive maintenance check-up at your request.

This maintenance agreement does not cover original installation, reinstallation, or damage resulting from external causes such as acts of God, abuse, theft, fire, flood, wind, lightning, freezing, power failure, power reduction, etc. Please ask a salesperson to see the agreement for all of the terms and conditions.

SEARS CANADA CUSTOMERS

Dear Customer:

In manufacturing this product, many steps have been taken to provide you with the highest quality. Unfortunately, errors or omissions occasionally occur. In the event you find a missing or defective part, please contact your nearest Sears store. (See the back cover for phone numbers.)

If you have any suggestions that would help us to improve our assembly/operation instructions or this product, please write them down, including the information listed below and mail to:

**Sears Canada, Inc. Attn: Buyer Dept. 646
222 Jarvis Street
Toronto, Ontario
M5B 2B8**

Purchased by:

Name: _____

Address: _____

City: _____ Prov.: _____

Postal Code: _____ Phone: _____

Model No.: 970. _____

Serial No.: _____

Date of Purchase ____/____/____

Location of Purchase _____

Comments: _____

ENGLISH

INDICE DE CONTENIDO

Número de modelo y el número de serie	1
Seguridad	1-2
Garantía del congelador	2
Garantía limitada (Canada)	3
Para comenzar	4-5
Sugerencias para el ahorro de energía	5
Ajuste del control de la temperatura	5
Características del congelador	6-7
Cuidado y limpieza	8-9
Falla de corriente/falla del congelador	9
Lista de control de averías	10-11
Servicio Sears	12
Clientes de Sears Canadá	12

NÚMERO DE MODELO Y EL NÚMERO DE SERIE

LEA Y GUARDE ESTAS INSTRUCCIONES

Este Manual del Usuario contiene instrucciones específicas sobre el funcionamiento de este modelo. Se debe usar el congelador de acuerdo con las instrucciones contenidas en este Manual del Usuario. Las instrucciones que contiene este Manual del Usuario no cubren todas las condiciones y situaciones posibles que pudieran ocurrir. Siempre se debe usar el sentido común y la precaución al instalar, poner en funcionamiento y mantener cualquier aparato doméstico.

Registre el número de modelo y el número de serie

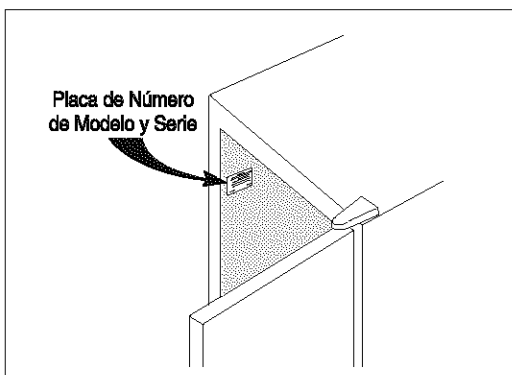
Registre el N° de Modelo y el N° de Serie en el espacio debajo. La placa del número de serie está situada ya sea en la pared izquierda superior dentro del congelador (modelos verticales) o en la pared exterior izquierda (modelos horizontales).

Número de Modelo: 253.

o 970.

Número de Serie: _____

Fecha de Compra: _____



INSTRUCCIONES IMPORTANTES DE SEGURIDAD

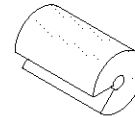
LEA TODAS LAS INSTRUCCIONES ANTES DE USAR ESTE CONGELADOR.

⚠ ADVERTENCIA PARA SU SEGURIDAD

No almacene o use gasolina u otros líquidos o vapores inflamables en la proximidad de este o cualquier otro artefacto. Lea las etiquetas de los productos para informarse sobre la inflamabilidad y otras advertencias.

⚠ ADVERTENCIA SEGURIDAD DE LOS NIÑOS

- Destruya la caja de cartón, las bolsas de plástico y cualquier material de empaque exterior inmediatamente después de que el refrigerador sea desempacado. Los niños no deben usar estos artículos para jugar. Las cajas de cartón cubiertas con alfombras, colchas o pedazos de plástico pueden convertirse en cámaras sin aire y causar asfixia.
- Saque todas las grapas de la caja de cartón. Las grapas pueden causar cortes graves y dañar los acabados si tienen contacto con otros artefactos o muebles.
- Una nevera, refrigerador o congelador que estén vacíos y hayan sido descartados, es una atracción muy peligrosa para los niños.
- Retire y deshágase de los espaciadores usados para asegurar y proteger los entrepaños, durante el transporte. Los objetos pequeños son peligrosos para los niños porque son fáciles de tragar y pueden causarles asfixia.



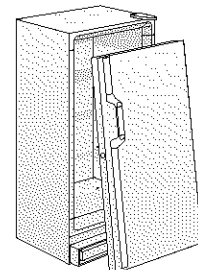
Saque la puerta de cualquier artefacto que no esté en uso, aún si está siendo descartado.

Proceso para disponer de su refrigerador o congelador

⚠ ADVERTENCIA Riesgos de entrapamiento de niños: Niños atrapados y sofocados no son un problema del pasado. Refrigeradores o congeladores abandonados siguen siendo un peligro un cuando sea "por unos cuantos días. Si usted está planeando en disponer de su refrigerador o congelador, por favor siga las instrucciones las cuales ayudaran a prevenir accidentes.

ANTES DE DESCARTAR SU REFRIGERADOR O CONGELADOR VIEJO :

- Remueva las puertas
- Deje las Bandejas instaladas. Estas limitan el acceso a los niños dentro del refrigerador o congelador



⚠ ADVERTENCIA INFORMACIÓN ELÉCTRICA

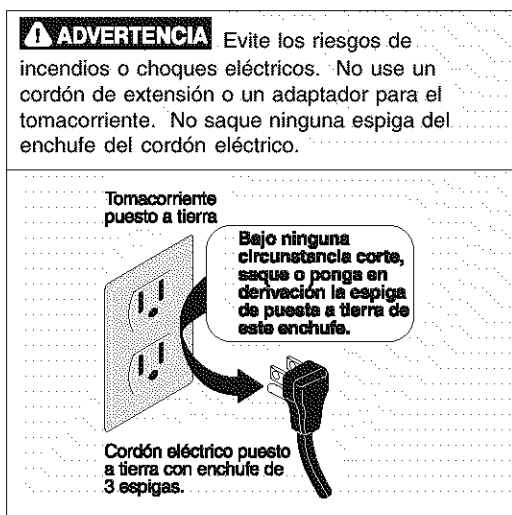
Estas indicaciones debe ser seguidas para asegurar de que los mecanismos de seguridad de este congelador funcionen correctamente.

- **Consulte la placa del número de serie para la potencia eléctrica correcta.** El cordón eléctrico del artefacto está equipado con un enchufe de puesta a tierra de tres clavijas para protección contra riesgos de choques eléctricos. Debe ser enchufado directamente en un tomacorriente de tres tomas debidamente puesto a tierra, protegido con un fusible de retardo de 15 amperes o un disyuntor. El tomacorriente debe ser instalado de acuerdo el Código Eléctrico Nacional y los códigos y reglamentos locales. Consulte a un electricista calificado. Receptores protegidos por interruptores de falta a tierra(GFCI) **NO SON RECOMENDADOS. NO use un cordón de extensión o un adaptador para el tomacorriente.**
- Si el voltaje varía en 10 por ciento o más, el rendimiento del congelador puede verse afectado. Si se hace funcionar el congelador con insuficiente energía se puede dañar el motor. Tal daño no está cubierto por la garantía. Si usted sospecha que el voltaje de su hogar es alto o bajo, consulte a su compañía de electricidad para que lo comprueben.
- Para evitar que el congelador sea apagado accidentalmente no lo enchufe en un tomacorriente controlado por un interruptor mural o una cuerda.
- No doble, anude o apriete el cordón eléctrico de ninguna manera.

OTRAS PRECAUCIONES

- Nunca desenchufe el congelador tirando del cordón eléctrico. Siempre sujete el enchufe firmemente y tire derecho hacia afuera del tomacorriente.

NOTA: Si gira el control a la posición OFF el compresor se apaga, pero no se desconecta la energía a los otros componentes eléctricos.



GARANTÍA DEL CONGELADOR

GARANTÍA COMPLETA DE UN AÑO PARA EL CONGELADOR

Dentro de un año a partir de la fecha de compra, cuando este congelador es operado y mantenido para enfriamiento normal de habitaciones de acuerdo a las instrucciones en este manual del usuario, Sears reparará este congelador, gratis, si existe defecto de material o mano de obra.

GARANTÍA COMPLETA DE CINCO AÑOS EN EL SISTEMA DE REFRIGERACIÓN SELLADO

Durante cinco años a partir de la fecha de compra cuando este congelador es operado y mantenido de acuerdo a las instrucciones de este manual del usuario, Sears reparará el sistema de refrigeración sellado (que consiste en el refrigerante, tubo de conexión y compresor) gratuitamente, si existe defecto de material o mano de obra. La garantía indicada anteriormente se aplica solamente a los congeladores que han sido usados para conservación de alimentos en hogares privados solamente.

LIMITACIÓN DE LA GARANTÍA POR PÉRDIDA DE ALIMENTOS

Si informa oportunamente a su Centro de Servicio o Almacén Sears más cercano, Sears reembolsará hasta un total de \$100.00 del valor de alimentos, según lo verifique Sears, perdidos durante almacenamiento en el congelador cuando es usado en hogares privados como resultado de:

1. Defectos que ocurran durante el primer año a partir de la fecha de compra.
2. Falla del sistema de refrigeración sellado (incluyendo refrigerante, tubería de conexión y compresor) debido a defectos que ocurran durante el segundo hasta el quinto año después de la compra. Si el congelador es usado para otros propósitos que no sea la conservación de alimentos en hogares privados, Sears no se hará responsable de ninguna pérdida de alimento. Las pérdidas de alimentos que resulten de otras causas que no sean los defectos indicados anteriormente, tales como descomposición natural, interrupción de la energía eléctrica, energía eléctrica inadecuada, desconexión manual de la energía eléctrica, daño a causa de incendio, daño por agua, robo, etc., están fuera de nuestro control y no están cubiertas por la garantía de Sears. Algunos estados no permiten la exclusión o limitación de daños incidentales o consecuentes, por tanto la limitación o exclusión anterior puede que no se aplique en su caso. Esta garantía le otorga derechos legales específicos y usted puede tener otros derechos que varían de un estado a otro.

Contacte el Centro De Servicio Sears en los Estados Unidos mas proximo a usted para cualquier servicio de garantia. Refiera la ultima pagina de este manual.

Para informacion sobre garantias, por favor contacte la siguiente direccion:

Sears, Roebuck and Co.
Dept. 817WA
Hoffman Estates, IL 60179

CANADÁ — GARANTÍA LIMITADA



Congelador

Sears Canadá Inc., garantiza que cada congelador *Kenmore Elite* nuevo sea libre de defectos de material o fabricación. Sears hará lo siguiente, gratuito, en el caso un defecto:

¿Que incluye?	¿Durante cuánto tiempo se garantiza? (Desde la fecha de compra)	Partes: A la opción de Sears, reparar o reemplazar una parte por:	Mano de obra: Instalar la parte reparada o la parte de reemplazo por:
El compresor	DIEZ (10) AÑOS	DIEZ (10) AÑOS	CINCO (5) AÑOS
El sistema sellado (consistiendo del refrigerante, evaporador, y condensador)	CINCO (5) AÑOS	CINCO (5) AÑOS	CINCO (5) AÑOS
Todas las otras partes y ajustes	UN (1) AÑO	UN (1) AÑO	UN (1) AÑO

Responsabilidades Normales del Cliente

Las cosas siguientes, como no son defectos de fabricación, no son incluidas en la garantía, sino son la responsabilidad del cliente:

- 1) Daños al acabamiento después de la entrega.
- 2) Fuente de energía inadecuada, voltaje inadecuado, o cualquier defectos del sistema eléctrico de la casa o el aparato no conectado a un tomacorriente.
- 3) Reemplazo de ampollitas.
- 4) Daños causados por mover el aparato de su sitio de instalación original.
- 5) Servicio requerido como resultado de alteración, abuso, incendio, inundada, o desastres naturales.
- 6) Asegurarse de que circulación de aire adecuada sea disponible al sistema de refrigeración.
- 7) Cuidad y uso apropiados del artefacto, como se detalla en el Manual del Usuario; colocación de los controles apropiada.

Si se requiere algún servicio bajo ésta garantía, sencillamente llame al **1-800-4-MY-HOMESM** (1-800-469-4663).

Esta garantía es establecida en adición a cualquier garantía estatuida. La garantía arriba cubre los refrigeradores *Kenmore Elite* vendidos y operados en el Canadá único y no aplica sí el congelador se usa para propósitos no domésticos.

Convenio de Mantenimiento Sears

Mantenga el valor de su congelador *Kenmore* con un Convenio de Mantenimiento Sears.

SEARS CANADA INC. • Toronto, Canada • M5B 2B8

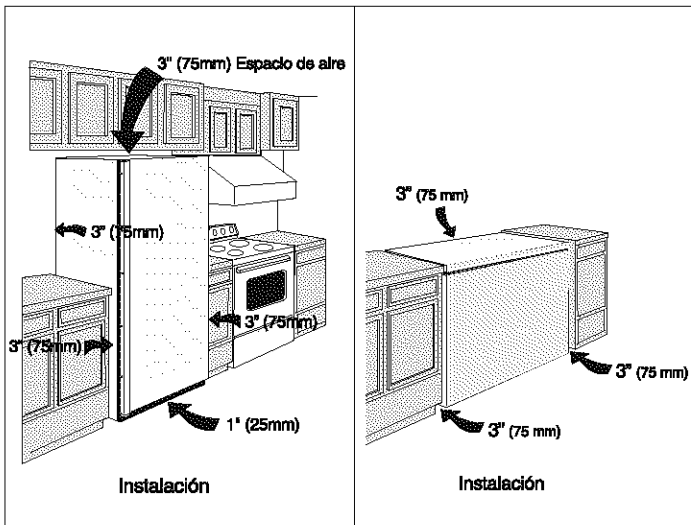
ESPAÑOL

PARA COMENZAR

Este Manual del Usuario contiene instrucciones de funcionamiento generales para su congelador. **Antes de poner marcha el congelador, siga estas importantes indicaciones.**

INSTALACIÓN

- Seleccione un lugar que esté cerca de un tomacorriente eléctrico puesto a tierra. **No** use un cordón de extensión o un adaptador de enchufe.
- Para una operación más eficiente, el congelador debe estar situado donde la temperatura ambiente no será superior a 110°F (43°C). Las temperaturas de 32° F (0°C) no afectarán el funcionamiento del congelador. No se recomiendan los calefactores de compresores.
- *Deje espacio alrededor del artefacto para una buena circulación del aire.* Deje un espacio de 3" (75 mm) en todos los lados del congelador para circulación adecuada.



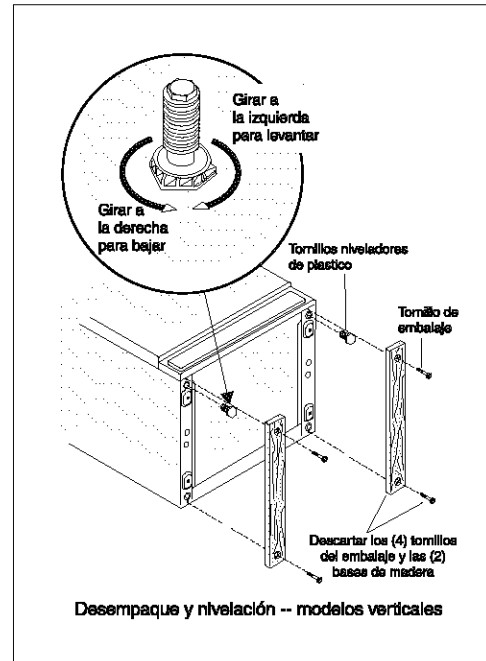
NOTA: Las paredes exteriores del congelador pueden ponerse bastante calientes mientras el compresor trabaja para sacar el calor interno. Se puede esperar que se produzcan temperaturas hasta 30°F más altas que la temperatura ambiental. Por esta razón, es particularmente importante, en climas más cálidos, permitir suficiente espacio para que el aire circule alrededor de su congelador.

NIVELACIÓN

El congelador debe tener los cuatro pies (puntas inferiores) firmemente plantados en un piso sólido. El piso debe ser lo suficientemente fuerte para resistir el congelador completamente cargado. **NOTA:** Es muy importante que su congelador este nivelado para un propio funcionamiento. Si no ha sido nivelado durante la instalación, la puerta va a estar desalineada la cual no tendrá un sello seguro produciendo problemas de enfriamiento, escarcha, y humedad.

Nivelar una unidad vertical:

Después de desasarse de la montura de madera y sus tornillos, use un nivel de carpintería para nivelar el congelador de frente a atrás. Ajuste los pies de plásticos de el frente ½ burbuja alta; de esa manera la puerta cerrará fácilmente cuando es dejada a medio abrir.



Para nivelar un congelador horizontal:

Si es necesario, posicione trozos de metal o madera entre las patas y el piso.

LIMPIEZA

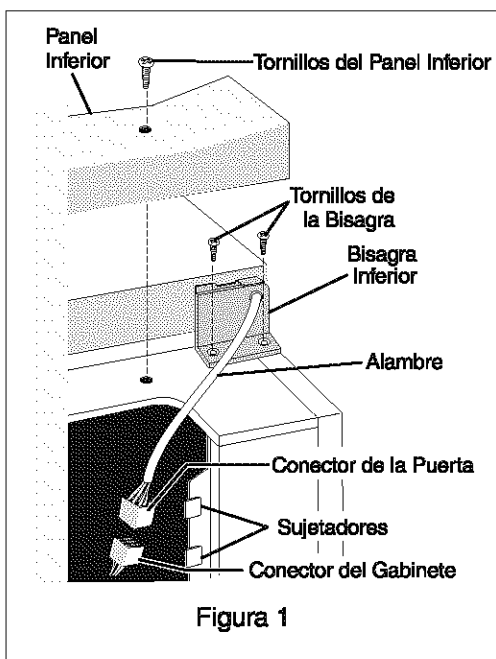
- Lave todas las piezas removibles y el interior y el exterior con un detergente suave y agua tibia. Secar bien. **No use limpiadores abrasivos en estas superficies.**
- No use hojas de afeitar ni otros instrumentos afilados para sacar las etiquetas adhesivas pues puede rallar la superficie del artefacto. Cualquier resto de goma de las etiquetas o de la etiqueta sobre energía puede ser sacado con una mezcla de agua tibia y detergente suave o despegar el residuo con el lado adhesivo de la etiqueta que ya ha sido sacada. **No saque la placa con el número de serie.**



Desmontaje de la Puerta (MODELOS VERTICALES)

Si es necesario desmontar la puerta:

1. Coloque suavemente el congelador sobre la parte trasera, en una alfombra o manta.
2. Retire los dos tornillos del panel inferior y el panel inferior. Retire el alambre de los clips situados en la parte inferior del gabinete. (Figura 1)
3. Desenchufe el conector sujetando el conector del gabinete en su lugar y tirando hacia afuera el conector de la puerta. (Figura 1)
4. Retire los tornillos de la bisagra inferior. (Figura 1)
5. Retire la cubierta de plástico de la bisagra superior.
6. Retire los tornillos de la bisagra superior.
7. Retire del gabinete la bisagra superior.
8. Retire del gabinete la puerta y la bisagra inferior.
9. Para volver a colocar la puerta, invierta el procedimiento anterior y apriete firmemente todos los tornillos para evitar deslizamiento de las bisagras.



SUGERENCIAS PARA EL AHORRO DE ENERGÍA



- El congelador debe ser colocado en la sección más fría de la habitación, alejado de los artefactos que producen calor o de los ductos de la calefacción y fuera de la luz directa del sol.
- Deje que los alimentos calientes se enfríen a la temperatura ambiente antes de colocarlos en el congelador. Al llenar demasiado el congelador, el compresor debe funcionar por períodos más largos. Los alimentos que se congelan demasiado lentamente pueden perder calidad o echarse a perder.
- Asegúrese de que los alimentos están envueltos debidamente y seque los envases antes de colocarlos en el congelador. Esto reduce la acumulación de escarcha dentro del congelador.
- Las parrillas del congelador no deben ser forradas con papel de aluminio, papel de cera o toallas de papel. Los forros interfieren con la circulación del aire frío, disminuyendo la eficacia del congelador.
- Organice y coloque etiquetas en los alimentos para reducir la continua apertura de la puerta y las búsquedas prolongadas. Saque tanto artículos como sea necesario de una sola vez y cierre la puerta tan pronto como sea posible.

AJUSTE DEL CONTROL DE LA TEMPERATURA

PERÍODO DE ENFRIAMIENTO

- Para la conservación segura de los alimentos, deje que el congelador se enfríe completamente durante 4 horas. El congelador funcionará continuamente durante las primeras horas. Los alimentos que ya están congelados pueden ser colocados en el congelador después de las primeras horas de funcionamiento. Los alimentos descongelados NO deben ser guardados en el congelador si el congelador no ha estado en funcionamiento durante 4 horas.
- Cuando esté llenando el congelador, congele solamente 3 libras de alimento fresco por pie cúbico de espacio de una vez. Distribuya los paquetes que van a ser congelados uniformemente a través del congelador. No es necesario girar el botón a un ajuste más frío cuando los alimentos están siendo congelados.

CONTROL DE LA TEMPERATURA

El control de temperatura está ubicado dentro del congelador en los modelos verticales, y en la pared izquierda exterior en los modelos horizontales. La temperatura se establece en fábrica para proporcionar temperaturas satisfactorias para el almacenamiento de alimentos. Sin embargo, el control de temperatura se puede ajustar para proporcionar una gama de temperatura según su preferencia personal. Si desea una temperatura más fría, gire la perilla del control de temperatura hacia COLDEST (MÁS FRÍO) y deje transcurrir varias horas para que la temperatura se establezca entre los ajustes.

CARACTERÍSTICAS DEL CONGELADOR

Tabla de Función de la Alarma

NOTA: Su congelador puede tener algunas o todas las características que se indican a continuación. Familiarícese con su uso y cuidado.

CIERRE DE SEGURIDAD CON LLAVE A RESORTE

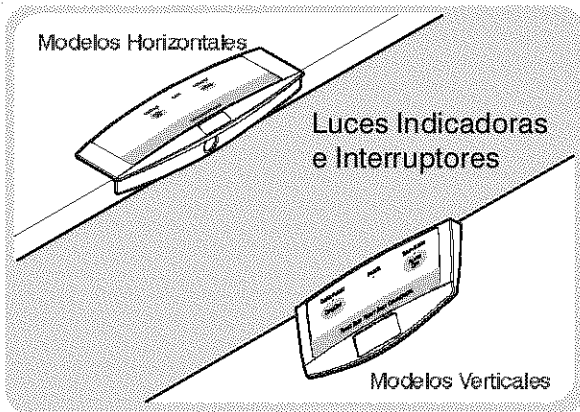
El cierre cierra la puerta bien para asegurar la seguridad del alimento. Para cerrar o abrir el congelador, empuje la llave en la cerradura y gírela. La llave saldrá de la cerradura después que ha sido girada. Para evitar que los niños queden atrapados en el interior, vea las advertencias sobre la Llave a Resorte.

LUZ INDICADORA DE FUNCIONAMIENTO

La luz indicadora de funcionamiento indica si el congelador está debidamente conectado a la energía eléctrica. La luz se enciende aún cuando el control de la temperatura esté en la posición OFF. Si la luz se apaga, consulte *El congelador no funciona* en la **Lista de Control de Averías**. Si el congelador parece estar funcionando, se puede haber quemado la ampolleta. Llame a un técnico de servicio autorizado para su reemplazo.

ALARMA DE TEMPERATURA (MODELOS ELECTRONICOS)

Este aspecto provee una advertencia si las temperaturas adentro del congelador alcanzan un nivel peligroso. El TEMP ALARM opera por la electricidad de la casa. No funcionará si la electricidad de la casa se interrumpe. (Los modelos de Reserva de batería sólo: UNA característica de reserva de batería asumirá poder el sistema del alarma si la electricidad de la casa se interrumpe.)



Cuando el congelador se enchufa inicialmente, la luz indicadora roja de TEMP ALARM parpadeará. La luz indicadora continuará a parpadear hasta que el congelador haya alcanzado una temperatura segura para congelar. Si un desperfecto causa una temperatura insegura adentro del congelador, la luz roja parpadeará y el zumbador sonará. Para silenciar el zumbador, preme el botón ALARM OFF. La luz indicadora continuará a parpadear hasta que el congelador alcance una temperatura segura nuevamente. Si el problema no se resuelve dentro de 12 horas, el zumbador prenderá otra vez.

Si el botón ALARM OFF no es presado, el zumbador se apagará automáticamente después de 48 horas, pero la luz roja de TEMP ALARM continuará a parpadear.

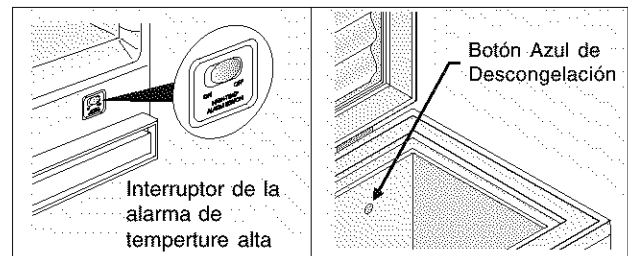
Indicador	Estado	Función	Respuesta
LED Amarillo	Iluminado	Funcionamiento Normal	Ninguna
	Destellando (Modelos a Batería solamente)	Batería baja/agotada	Coloque una batería nueva de 9 voltios
LED Rojo	Apagado	No hay estado de alarma	Ninguna
	Destellando	Temperatura interior demasiado tibia	Oprima y mantenga oprimido el botón de desactivación de la alarma hasta que el LED rojo deje de destellar
LED Verde	Apagado	Descongelación rápida Apagada	Ninguna
	Iluminado	Descongelación Rápida Activada	Ninguna
Zumbador Audible	Apagado	Funcionamiento Normal	Ninguna
	Un chirrido cada 4 segundos	Temperatura interior demasiado tibia	Momentáneamente si se oprime el botón de desactivación de la alarma se apaga la alarma audible
	Dos chirridos cada 10 segundos (Modelos a batería solamente)	Batería baja/agotada	Para apagar los chirridos, oprima y mantenga oprimido durante 3 segundos el botón de desactivación de la alarma. Coloque una batería nueva de 9 voltios
	Dos chirridos cortos cada 5 segundos (Modelos a batería solamente)	No llega energía al artefacto y la temperatura interior es demasiado tibia	Momentáneamente si se oprime el botón de desactivación de la alarma se apaga la alarma audible

INTERRUPTOR DE LA ALARMA DE TEMPERATURA ALTA (ALGUNOS MODELOS)

Sonará una alarma si la temperatura del congelador llega a niveles inseguros. La alarma funciona con la energía eléctrica del hogar. Si éste falla, la alarma no funciona.

El interruptor de ON/OFF (encendido/apagado) permite que la alarma de temperatura alta se pueda desactivar, si así lo desea. **NOTA:** Debe abrir la puerta del congelador para ver el interruptor de la alarma. El congelador se envía con el interruptor en la posición OFF (apagado). Cuando el congelador haya funcionado lo suficiente para disminuir la temperatura, puede establecer el interruptor en la posición ON (encendido).

- Para activar la alarma, coloque el interruptor en la posición ON (encendido).
- Para desactivar la alarma, coloque el interruptor en la posición OFF (apagado).



BOTÓN AZUL DE DESCONGELACIÓN (ALGUNOS MODELOS HORIZONTALES)

IMPORTANTE: El congelador se debe descongelar y limpiar cuando el botón azul de descongelación esté completamente cubierto con hielo.

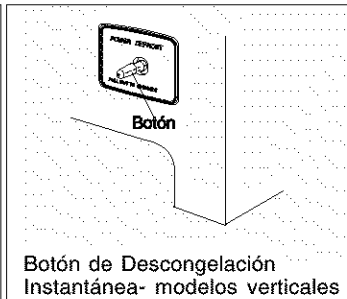
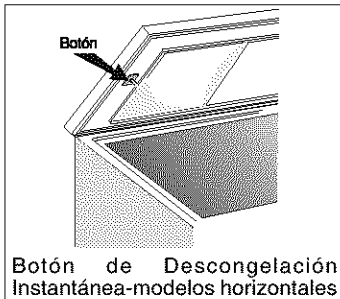
CONGELACIÓN RÁPIDA (ALGUNOS MODELOS)

Para activar esta característica oprima el botón a la posición ON (ENCENDIDO). Aparecerá una luz verde y el congelador funcionará continuamente (excepto cuando esté en Descongelación Instantánea), haciendo que las temperaturas del congelador sean las más frías posibles. Esta característica se apague automáticamente después de 72 horas. Use esta característica justo antes de agregar grandes cantidades de alimentos no congelados al congelador (No sobrepase 3 libras por pie cúbico del espacio del congelador).

DESCONGELACIÓN INSTANTÁNEA (ALGUNOS MODELOS)

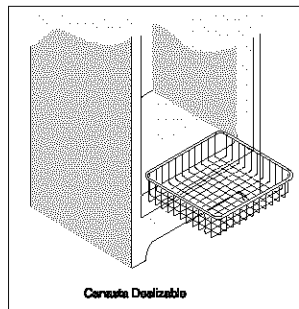
NOTA: "Temp Alarm" (Alarma de Temperatura) debe ser apagada cuando el congelador está siendo descongelado. La característica de descongelación instantánea descongelará el congelador en solo una fracción del tiempo que generalmente se requiere para descongelarlo. Para descongelar, **saque todos los alimentos** y siga estos pasos:

- Tire hacia afuera el botón de descongelación instantánea. Deje la puerta abierta cuando se está descongelando. (El cierre de la tapa/de la puerta empujará hacia adentro el émbolo, y el descongelación instantánea será dado vuelta apagado.
- Oprima el botón de descongelación instantánea para volver a poner en marcha el congelador después de la descongelación.
- Encienda "Temp Alarm" después de que el congelador ha alcanzado las temperaturas de congelación.



CANASTA DESLIZABLE O PARRILLA FIJA (MODELOS VERTICALES)

La canasta deslizable (algunos modelos) o la parrilla fija (algunos modelos) se encuentra en la parte baja del congelador, permitiendo el almacenamiento en espacios separados de aquellos productos que son difíciles de almacenar en los entrepaños superiores. Para sacar la canasta o la parrilla, usted debe halarla hacia fuera y levantarla.



CIERRE DE SEGURIDAD CON LLAVE A RESORTE

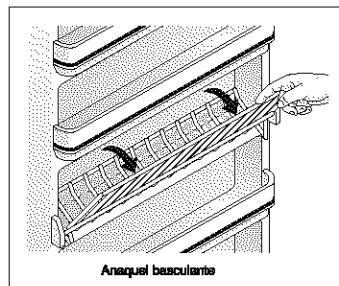
El cierre cierra la puerta bien para asegurar la seguridad del alimento. Para cerrar o abrir el congelador, empuje la llave en la cerradura y gírela. La llave saldrá de la cerradura después que ha sido girada. Para evitar que los niños queden atrapados en el interior, vea las advertencias sobre la Llave a Resorte.

LUZ INTERIOR

La luz se enciende automáticamente cuando se abre la puerta. Para cambiar la ampolleta, gire el control de la temperatura a la posición OFF y **desenchufe el cordón eléctrico**. Reemplace la ampolleta antigua con una nueva de la misma potencia.

ANAQUEL BASCULANTE

Este anaquel está en la puerta del congelador y da espacio adicional para guardar. Si quiere sacar algo, incline la parte superior del anaquel "canastilla" hacia abajo.

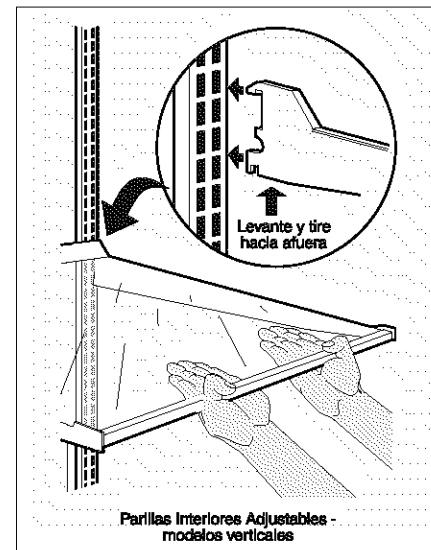
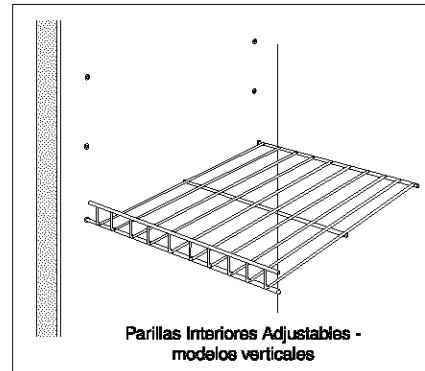


BANDEJA DIVISORA/DE DESAGÜE (MODELOS HORIZONTALES)

La bandeja divisora/de desagüe sirve para dos propósitos, como una área conveniente donde guardar alimentos y sirve también como una bandeja poco profunda para el agua proveniente de la descongelación. Para sacarla, levántela derecho hacia arriba y sáquela de los soportes.

PARRILLAS INTERIORES AJUSTABLES (MODELOS VERTICALES)

Las parrillas interiores ajustables pueden ser colocadas en cualquier posición para acomodar paquetes más grandes o más pequeños. Los espaciadores que estabilizan los estantes durante el embarque pueden ser sacados y descartados.



CANASTA DESLIZABLE (ALGUNOS MODELOS HORIZONTALES)

Esta canasta ayuda a organizar los artículos de formas variadas. Para alcanzar otros paquetes en el congelador, deslice la canasta hacia un lado o levántelo hacia afuera.



CUIDADO Y LIMPIEZA

PRECAUCIÓN Los objetos mojados se adhieren a las superficies metálicas frías. No toque las superficies metálicas con las manos mojadas o húmedas.

Algunos congeladores verticales se descongelan automáticamente pero deben ser limpiados ocasionalmente.

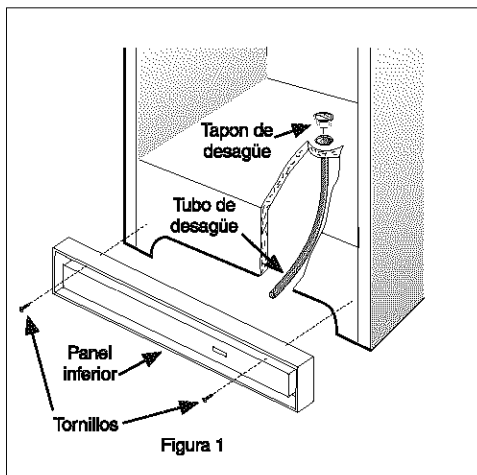
ENTRE DESCONGELACIONES

Para evitar descongelación frecuente, ocasionalmente use un raspador de plástico para sacar la escarcha. Raspe con un movimiento hacia arriba. Nunca use un instrumento de metal para sacar la escarcha.

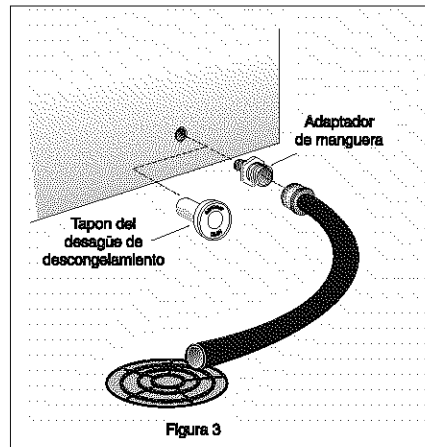
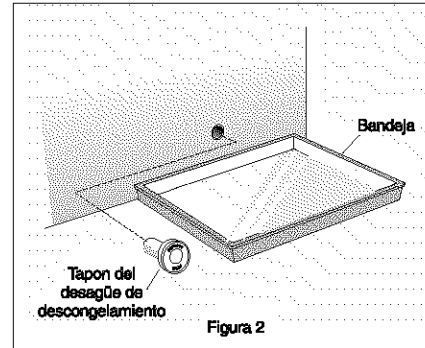
DESCONGELACIÓN

Es importante descongelar y limpiar el congelador cuando se ha acumulado una escarcha de $\frac{1}{4}$ a $\frac{1}{2}$ pulgada. La escarcha puede acumularse más rápidamente en la parte superior del congelador debido al aire caliente y húmedo que entra al congelador cuando se abre la puerta. Saque los alimentos y deje la puerta abierta cuando esté descongelando el congelador.

- **En modelos verticales** con desagüe de descongelamiento (Figura 1), remueva el tapon de desagüe en el piso interior del congelador jalándolo acia arriba. Para ganar acceso al tubo de desagüe exterior en modelos con panel, primero quite los tornillos del panel. Encuentre el tubo de desagüe cerca a la parte izquierda del centro debajo de el congelador. Posicione una bandeja panda debajo del tubo de desagüe. Inspeccione al bndeja ocasionalmente para evitar rebordaje. Un adaptador de manguera de jardineria de una pulgada puede ser usada para conectar el deague del congelador directamente al desagüe del piso. Si su modelo no viene equipado con este adaptador, usted puede adquirirlo en cualquier almacen de abarrotes. Vuelva a poner el tapon de desagüe cuando halla terminado de descongelar y limpiar. Si usted dejal el desagüe abierto, aire a temperatura hambiente puede entrar al congelador.

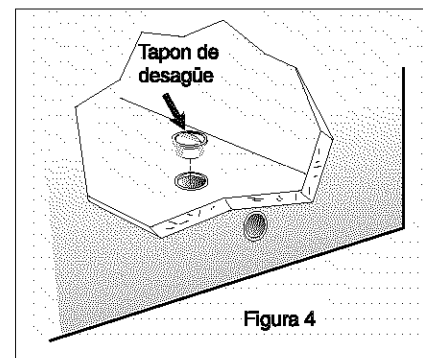


- **En los modelos horizontales** equipados con desagüe de descongelación coloque una bandeja o la bandeja divisora/ de desagüe (suministrada con algunos modelos) debajo de la salida del desagüe (Figura 2). Un adaptador de manguera de jardín de media pulgada puede ser usado para desaguar el congelador directamente al desagüe del piso (Figura 3). Saque la tapa que se encuentra dentro del congelador y saque el tapón exterior de desagüe de congelación (Figura 4).



El agua de la descongelación escurrirá hacia afuera. Revise ocasionalmente la bandeja para que el agua no rebase. Vuelva a colocar el tapón de desagüe exterior y la tapa interior del congelador cuando se haya completado la descongelación.

- **En algunos modelos sin desagüe de descongelación**, coloque toallas o periódicos en la parte inferior del congelador para que recibir la escarcha. La escarcha se desprenderá y caerá. Saque las toallas y/o los periódicos.
- Si la escarcha está blanda, sáquela usando un raspador de plástico. Si la escarcha es brillante y dura, llene recipientes hondos con agua caliente y colóquelos en el interior del congelador. Cierre la puerta del congelador. La escarcha se ablandará en 15 minutos. Repita este procedimiento si es necesario.



LIMPIEZA DEL INTERIOR

Después de la descongelación, lave las superficies interiores del congelador con una solución de dos cucharadas de bicarbonato de soda en un cuarto de galón (1,136 litros) de agua tibia. Enjuague y seque. Asegúrese de estrujar bien la esponja o paño cuando esté limpiado el área de los controles o de las piezas eléctricas.

Lave las piezas movibles con la solución de bicarbonato de soda que se mencionó anteriormente o con un detergente suave y agua tibia. Enjuague y seque. Lave el empaque de la puerta con detergente suave, enjuague con agua limpia y seque. **Nunca** use esponjas metálicas, escobillas, limpiadores abrasivos o soluciones alcalinas en ninguna de las superficies. No lave las piezas removibles en la lavadora de platos.

LIMPIEZA DEL EXTERIOR

Lave el gabinete con agua tibia y un detergente suave. Enjuague bien y seque con un paño suave y limpio. Vuelva a colocar las piezas y los alimentos.

⚠ ADVERTENCIA Si deja la puerta del congelador abierta cuando se vá de vacaciones, asegúrese de que los niños no pueden entrar al congelador y quedar atrapados en él.

SUGERENCIAS PARA VACACIONES Y MUDANZAS

Vacaciones Cortas:

Deje el congelador funcionando durante las vacaciones de una a tres semanas de duración.

Vacaciones Largas:

Si el congelador no va ser usado durante varios meses:

- Saque todo el alimento, gire el control a la posición OFF y desenchufe el cordón eléctrico.
- Limpie y seque bien el interior.
- Deje la puerta del congelador ligeramente abierta, si es necesario bloqueándola para que se mantenga abierta, a fin de evitar que se acumule mal olor y manchas de humedad.

Mudanza:

- Desenchufe el cordón eléctrico.
- Remueva el alimento, descongele el congelador y límpielo bien.
- Resguarde las partes móviles, como el panel inferior, las parillas, y la canasta deslizable, para evitar daño.
- En el vehículo, resguarde el congelador en una posición vertical, y haga que no pueda mover. Además, cubra el exterior del congelador con una manta o otro artículo similar, para protegerlo.

FALLA DE LA CORRIENTE ELÉCTRICA/ FALLA DEL CONGELADOR

NOTA: No abra la puerta del congelador inútilmente si se ha cortado la corriente debido a una falla de la corriente eléctrica.

Si se produce un corte de corriente, los alimentos congelados permanecerán congelados por los menos por 24 horas si se mantiene la puerta del congelador cerrada. Si la falla de corriente continúa, coloque siete u ocho libras de hielo seco dentro del congelador cada 24 horas. Busque en las Páginas Amarillas bajo *Hielo Seco*, *Productos Lácteos* o *Fabricantes de Hielo* para encontrar los proveedores locales de hielo seco. Siempre use guantes y tenga cuidado cuando manipule el hielo seco.

Si el congelador ha dejado de funcionar, vea *Congelador no funciona* en la **Lista de Control de Averías** de este manual. Si no puede resolver el problema, llame inmediatamente a un técnico de servicio autorizado.

No abra la puerta del congelador inútilmente. Si el congelador permanece sin corriente por varias horas, siga las instrucciones indicadas anteriormente para el uso de hielo seco durante una falla de corriente. Si es necesario, lleve el alimento a un frigorífico local hasta que el congelador esté listo para ser usado. Busque en las Páginas Amarillas bajo *Plantas Frigoríficas Para Alimentos Congelados*.

LISTA DE CONTROL DE AVERÍAS		Antes de llamar a un técnico de servicio, revise esta lista. Puede ahorrar tiempo y dinero. Esta lista incluye los problemas más comunes que no son el resultado de materiales o mano de obra defectuosa de este artefacto.	
PROBLEMA	CAUSA	CORRECCIÓN	
EL CONGELADOR NO FUNCIONA			
El congelador no funciona.	<ul style="list-style-type: none"> • El congelador debe conectarse en un enchufe que tenga un polo conectado a tierra. • El control de la temperatura no está en la posición OFF. • Puede que el congelador no esté enchufado o el enchufe puede estar suelto. • Un fusible del hogar está quemado o un disyuntor disparado. • Falla de corriente eléctrica. 	<ul style="list-style-type: none"> • Utilice otro circuito. Si no tiene la seguridad acerca del enchufe con polo a tierra, hágalo chequear de un electricista reconocido. • Ver Ajuste del Control de Temperatura. • Asegúrese de que el enchufe esté bien enchufado en el tomacorriente. • Revise/Vuelva a reposicionar el disyuntor o reemplace el fusible con un fusible de acción retardada de 15 amp. • Revise las luces del hogar. Llame a su compañía de electricidad local. 	
El congelador funciona demasiado o por mucho tiempo.	<ul style="list-style-type: none"> • La temperatura de la habitación o el tiempo afuera es demasiado caliente. • El congelador ha sido desenchufado recientemente por un período de tiempo. • Recientemente se han almacenado grandes cantidades de alimento caliente o tibio. • La puerta se ha dejado abierta por períodos muy largos o con mucha frecuencia. • La puerta del congelador puede estar ligeramente abierta. • El control de la temperatura está en un ajuste demasiado frío. • El empaque de la puerta del congelador puede estar sucio, gastado, agrietado o deficientemente colocado. 	<ul style="list-style-type: none"> • Es normal que el congelador funcione con más esfuerzo bajo estas condiciones. • El congelador requiere 4 horas para enfriarse completamente. • El alimento tibio causará que el congelador trabaje más hasta que se alcanza la temperatura deseada. • El aire caliente entra al congelador cada vez que la puerta se abre. Abra la puerta con menos frecuencia. • Ver en la sección Problema "PROBLEMAS CON LA PUERTA". • Gire el control a un ajuste más caliente. Deje pasar varias horas para que se establezca la temperatura. • Limpie o cambie el empaque. Si existen escapes a través del empaque de la puerta el congelador funciona por períodos más largos para mantener la temperatura deseada. 	
Las temperaturas dentro del congelador son demasiado frías.	<ul style="list-style-type: none"> • El control de la temperatura está ajustado a demasiado frío. 	<ul style="list-style-type: none"> • Gire el control de la temperatura a un ajuste menos frío. Deje pasar algunas horas para que la temperatura se estabilice. 	
Las temperaturas dentro del congelador están demasiado calientes.	<ul style="list-style-type: none"> • El control de la temperatura está puesto en un ajuste demasiado caliente. • La puerta se ha dejado abierta por períodos muy largos o con mucha frecuencia. • La puerta del congelador puede estar ligeramente abierta. • Recientemente se han almacenado grandes cantidades de alimento caliente o tibio. • El congelador ha sido desenchufado recientemente por un período de tiempo. 	<ul style="list-style-type: none"> • Gire el control a un ajuste más frío. Deje pasar varias horas para que la temperatura se estabilice. • El aire caliente entra al congelador cada vez que la puerta se abre. Abra la puerta con menos frecuencia. • Ver "PROBLEMAS CON LA PUERTA" en la sección Problema. • El alimento tibio causará que el congelador trabaje más hasta que se alcanza la temperatura deseada. • El congelador requiere 4 horas para enfriarse completamente. 	
La temperatura de la superficie externa del congelador es elevada.	<ul style="list-style-type: none"> • El gabinete del congelador se siente caliente al tocarlo. 	<ul style="list-style-type: none"> • El congelador está funcionando normalmente, sacando aire caliente del interior. 	



PROBLEMA	CAUSA	CORRECCIÓN
SONIDOS Y RUIDOS		
Niveles de ruidos más fuertes cuando el congelador está en marcha.	<ul style="list-style-type: none"> Los congeladores modernos tienen mayor capacidad de almacenamiento y temperaturas más uniformes. 	<ul style="list-style-type: none"> Ellos requieren un compresor de alta velocidad. Esto es normal.
Niveles de ruidos más fuertes cuando el compresor está en marcha.	<ul style="list-style-type: none"> El congelador funciona a presiones más altas durante el comienzo del ciclo ON (En marcha). 	<ul style="list-style-type: none"> Esto es normal. El nivel de ruido se reducirá o desaparecerá a medida que el congelador continúa funcionando.
Se escucha un chasquido cuando el compresor se pone en marcha.	<ul style="list-style-type: none"> Las piezas de metal están sujetas a expansión y contracción, como en las tuberías del agua caliente. 	<ul style="list-style-type: none"> Esto es normal. El nivel del sonido bajará o desaparecerá a medida que el congelador continúa funcionando.
Sonido burbujeante, como de agua que está hirviendo.	<ul style="list-style-type: none"> El refrigerante (usado para enfriar el congelador) está circulando a través del sistema. 	<ul style="list-style-type: none"> Esto es normal.
Ruido de vibración.	<ul style="list-style-type: none"> El congelador no está nivelado. Se mece en el piso cuando apenas se toca. El suelo está disperejo o débil. El congelador se balancea en el piso cuando es movido. El congelador está tocando la pared. 	<ul style="list-style-type: none"> Ajuste los tornillos niveladores. Consulte "Nivelación" en la sección Para Comenzar. Asegúrese de que el piso puede soportar adecuadamente al congelador. Nivele el piso colocando tablitas de madera bajo la parte del congelador que no esté nivelada. Vuelva a nivelar el congelador o muévalo ligeramente. Consulte "Nivelación" en la sección Para Comenzar.
AGUA/HUMEDAD/ESCARCHA DENTRO DEL CONGELADOR		
Se forma humedad en las paredes interiores del congelador.	<ul style="list-style-type: none"> El tiempo está caluroso y húmedo, lo cual aumenta la velocidad de acumulación de escarcha en el interior. La puerta del congelador puede estar ligeramente abierta. La puerta es mantenida abierta por un período demasiado largo o es abierta con demasiada frecuencia. 	<ul style="list-style-type: none"> Esto es normal. Ver "PROBLEMAS CON LA PUERTA" en la sección Problema. Entra aire caliente al congelador cada vez que la puerta se abre. Abra la puerta con menos frecuencia.
AGUA/HUMEDAD/ESCARCHA EXTERIOR DEL CONGELADOR		
Se forma humedad en el exterior del congelador.	<ul style="list-style-type: none"> La puerta está ligeramente abierta, causando que el aire frío del interior del congelador se una al aire húmedo caliente exterior. 	<ul style="list-style-type: none"> Ver "PROBLEMAS CON LA PUERTA" en la sección Problema.
OLOR EN EL CONGELADOR		
Olor en el congelador	<ul style="list-style-type: none"> El interior debe ser limpiado. Existen alimentos con olores fuertes en el congelador. 	<ul style="list-style-type: none"> Limpie el interior con una esponja, agua tibia y bicarbonato de soda. Cubra bien el alimento.
PROBLEMAS DE LA PUERTA		
La puerta no cierra.	<ul style="list-style-type: none"> El congelador no está nivelado. Se balancea en el piso cuando se movido. El suelo está disperejo o débil. El congelador se balancea en el piso cuando es movido. 	<ul style="list-style-type: none"> Esto puede hacer que el gabinete no esté a escuadra y desalinearse la puerta. Consulte "Nivelación" en la sección Para Comenzar. Asegúrese de que el piso puede soportar adecuadamente al congelador. Nivele el piso colocando tablitas de madera bajo la parte del congelador que no está nivelada.
LA AMPOLLETA NO ENCIENDE		
La ampollita no enciende	<ul style="list-style-type: none"> La ampollita está quemada. No llega corriente eléctrica al congelador. 	<ul style="list-style-type: none"> Siga las instrucciones indicadas bajo "Luz Interior" en la sección <i>Características del Congelador</i>. Ver "EL CONGELADOR NO FUNCIONA" en la sección Problema.

Problemas frecuentes	Antes de llamar al servicio técnico, revise la siguiente lista. Al hacerlo puede ahorrar tiempo y dinero. La siguiente lista incluye problemas frecuentes que no son el resultado de defectos en la mano de obra o de materiales de este aparato.
El fabricante automático de hielo no funciona (en ciertos modelos).	<ul style="list-style-type: none"> • Asegúrese de que el brazo metálico indicador no esté en la posición hacia "arriba". • El fabricante de hielo debe producir 1,8 a 2,25 kg. (4 a 5 libras) de hielo en un período de 24 horas. • El suministro de agua está cerrado. • La presión de agua es muy baja. • El congelador no está suficientemente frío.

SERVICIO SEARS

"Nosotros Reparamos lo que Vendemos" es nuestra garantía de que usted puede depender de Sears para servicio... y el servicio de Sears lo puede conseguir a través de todo el país. Su congelador tiene mayor valor cuando se considera que Sears tiene centros de servicio a través de todo el país, con técnicos entrenados por Sears...técnicos específicamente entrenados en los artefactos Sears y que cuentan con las piezas, herramientas y equipo para asegurarle que cumplimos con nuestra promesa..."Nosotros reparamos lo que vendemos."

CONVENIO DE MANTENIMIENTO SEARS

Conserve el valor de su congelador *Kenmore® Elite* adquiriendo el convenio de Mantenimiento Sears. Los congeladores Sears están diseñados, fabricados y probados para funcionamiento confiable durante muchos años. Sin embargo, cualquier artefacto moderno puede, de vez en cuando, necesitar servicio.

El Convenio de Mantenimiento Sears

- Es su manera de comprar la reparación del mañana al precio de hoy.
- Elimina las cuentas de reparaciones resultantes del uso normal.
- Permite tantas llamadas de servicio como sean necesarias.
- Proporciona servicio por técnicos profesionales entrenados por Sears.
- Ofrece mantenimiento preventivo anual si lo solicita.

Este convenio de mantenimiento no cubre la instalación original, la reinstalación o daño resultante de causas externas tales como casos fortuitos, abuso, robo, incendio, inundaciones, viento, rayos, congelación, falla de energía, reducción de potencia, etc. Solicite a un vendedor que le explique todos los términos y condiciones del convenio.

CLIENTE DE SEARS CANADÁ

Estimado Cliente:

En fabricar este producto, se han tomado muchos pasos para proveer la calidad más alta posible. Desafortunadamente, se ocurren errores o omisiones ocasionalmente. En el caso de que usted encuentre una parte defectuosa o que le falte una parte, favor de llamar a su almacén Sears más cercano.

Si usted tiene cualquier sugerencias que nos ayudarían para mejorar nuestra assembly/las instrucciones de operación o este producto, favor de escribirnoslas, incluyendo la información abajo. Envíalo a:

Sears Canadá, Inc. Attn: Buyer Dept. 646
222 Jarvis Street
Toronto, Ontario
M5B 2B8

Comprado por:

Nombre: _____

Dirección: _____

Ciudad: _____ Prov: _____

Código Postal: _____ Teléfono: _____

No. De Modelo: 970. _____

No. De Serie: _____

Fecha De Compra: __/__/__

Donde Comprado: _____

Comenta: _____

ESPAÑOL



Get it fixed, at your home or ours!

Your Home

For repair—in **your home**—of **all** major brand appliances, lawn and garden equipment, or heating and cooling systems, **no matter who made it, no matter who sold it!**

For the replacement parts, accessories and owner's manuals that you need to do-it-yourself.

For Sears professional installation of home appliances and items like garage door openers and water heaters.

1-800-4-MY-HOME® (1-800-469-4663)

Call anytime, day or night (U.S.A. and Canada)

www.sears.com www.sears.ca

Our Home

For repair of carry-in items like vacuums, lawn equipment, and electronics, call or go on-line for the location of your nearest **Sears Parts & Repair Center.**

1-800-488-1222

Call anytime, day or night (U.S.A. only)

www.sears.com

To purchase a protection agreement (U.S.A.) or maintenance agreement (Canada) on a product serviced by Sears:

1-800-827-6655 (U.S.A.)

1-800-361-6665 (Canada)

Para pedir servicio de reparación a domicilio, y para ordenar piezas:

1-888-SU-HOGARSM

(1-888-784-6427)

Au Canada pour service en français:

1-800-LE-FOYER^{MC}

(1-800-533-6937)

www.sears.ca

SEARS